



**PRELIMINARY**  
FOR INFORMATION ONLY

00-9159-XXX-001-006

PREFIX \_\_\_\_\_

SERIES \_\_\_\_\_

NO. OF WAYS \_\_\_\_\_

CODE	NO. OF WAYS	DETAILS
002	2	SHEET 2
003	3	SHEET 3
004	4	SHEET 4
005	5	SHEET 5

SINGLE PART PCB STRIP CONNECTOR \_\_\_\_\_

CODE	DESCRIPTION
0	SINGLE PART PCB STRIP CONNECTOR

PCB THICKNESS \_\_\_\_\_

CODE	DESCRIPTION
01	PCB THICKNESS 1.60±0.15

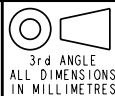
ELCO EUROPE (A DIVISION OF AVX LTD.) CONFIDENTIAL PROPRIETARY  
THE DRAWING ON THIS PRINT AND INFORMATION THEREWITH ARE  
PROPRIETARY TO ELCO EUROPE (A DIVISION OF AVX LTD.) AND  
SHALL NOT BE USED OR DISCUSSED IN WHOLE OR IN PART  
WITHOUT ELCO EUROPE'S WRITTEN CONSENT.

COLOUR OPTION \_\_\_\_\_

CODE	INSULATOR COLOR
0	BLACK
1	WHITE

PLATING OPTION \_\_\_\_\_

CODE	CONTACT PLATING
06	PURE TIN ALL OVER



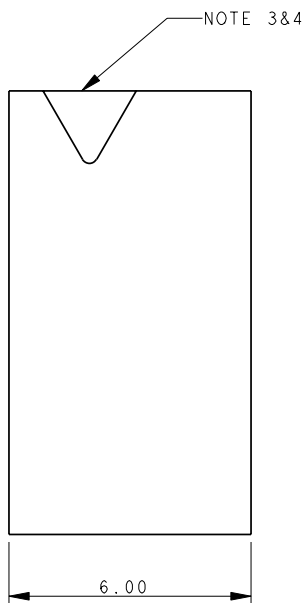
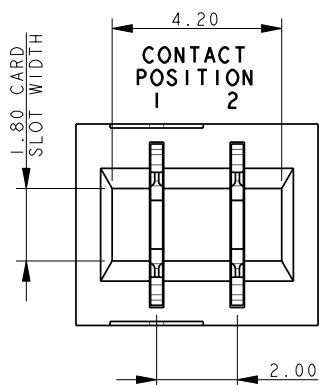
© COPYRIGHT ELCO EUROPE  
NOT TO BE DISCLOSED OR COPIED  
WITHOUT WRITTEN PERMISSION

Drawn  
N.C.H.  
Size  
CV

Description  
9159 SINGLE PART - ORDERING CODE  
Part Number  
00-9159-01-000S

DATE  
06-Sept-04  
Issue  
C

# 2 WAY SINGLE PART PCB STRIP CONNECTOR



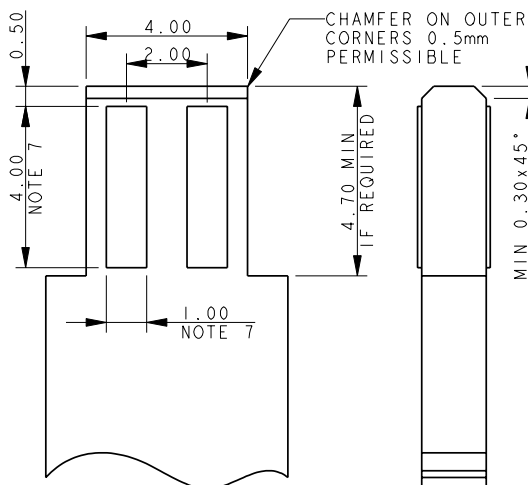
### NOTES:

1. FOR MORE INFORMATION REFER TO PRODUCT SPEC 201-01-118.
2. DIMENSIONS ARE REFERENCE DIMENSIONS UNLESS TOLERANCED.
3. ARROW TO INDICATE CONTACT POSITION 1.
4. PCB MUST BE INSERTED FROM THE ARROW SIDE FIRST.
5. INSULATOR MATERIAL :- NYLON 46, UL94 HB, COLOUR SEE SHEET 1.
6. CONTACT MATERIAL :- COPPER ALLOY, TIN PLATED ALL OVER.
7. PCB PAD, TIN PLATED.

ELCO EUROPE (A DIVISION OF AVX LTD.) CONFIDENTIAL PROPRIETARY THE DRAWING ON THIS PRINT AND INFORMATION THEREWITH ARE PROPRIETARY TO ELCO EUROPE (A DIVISION OF AVX LTD.) AND SHALL NOT BE USED OR DISCUSSED IN WHOLE OR IN PART WITHOUT ELCO EUROPE'S WRITTEN CONSENT.

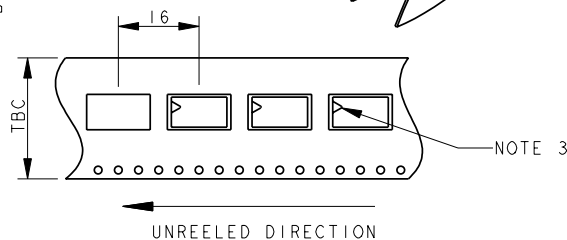
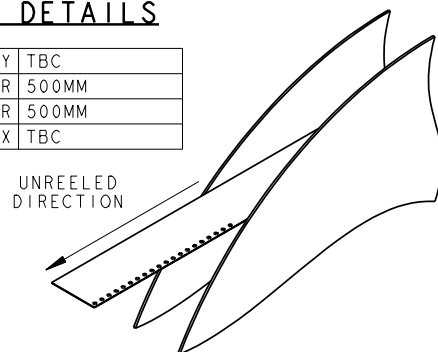
## 2 WAY PCB BOARD LAYOUT

THICKNESS 1.60±0.15



## PACKING DETAILS

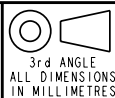
REEL QTY	TBC
LEADER	500MM
TRAILER	500MM
REELS PER BOX	TBC



SHEET 2 TO 5

FORM-106-01-056-6 ISS 7

Release No.  
History  
102527



**ELCO**

© COPYRIGHT ELCO EUROPE  
NOT TO BE DISCLOSED OR COPIED  
WITHOUT WRITTEN PERMISSION

Drawn  
N.C.H.

Description  
9159 SINGLE PART - ORDERING CODE

DATE  
06-Sept-04

Size  
CV

Part Number  
00-9159-01\_000S

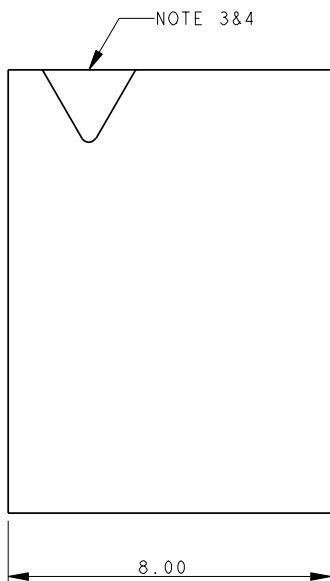
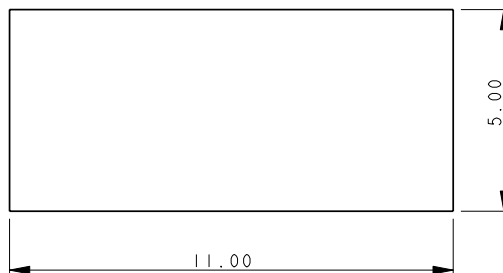
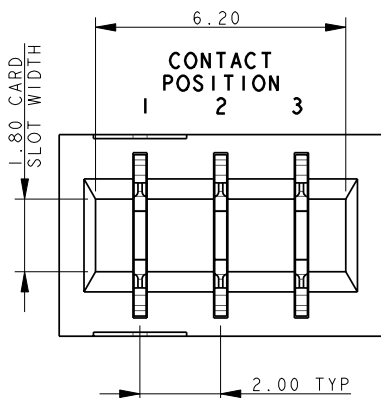
Issue  
C

A

I

B

# 3 WAY SINGLE PART PCB STRIP CONNECTOR



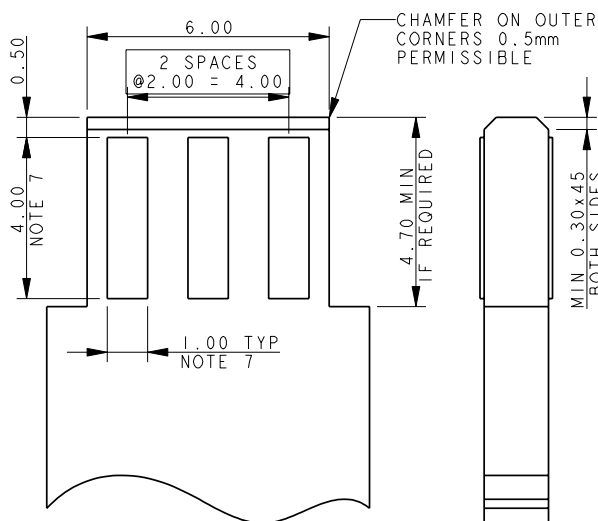
### NOTES:

1. FOR MORE INFORMATION REFER TO PRODUCT SPEC 201-01-118.
2. DIMENSIONS ARE REFERENCE DIMENSIONS UNLESS TOLERANCED.
3. ARROW TO INDICATE CONTACT POSITION 1.
4. PCB MUST BE INSERTED FROM THE ARROW SIDE FIRST.
5. INSULATOR MATERIAL :- NYLON 46, UL94 HB, COLOUR SEE SHEET 1.
6. CONTACT MATERIAL :- COPPER ALLOY, TIN PLATED ALL OVER.
7. PCB PAD, TIN PLATED.

ELCO EUROPE (A DIVISION OF AVX LTD.) CONFIDENTIAL PROPRIETARY THE DRAWING ON THIS PRINT AND INFORMATION THEREWITH ARE PROPRIETARY TO ELCO EUROPE (A DIVISION OF AVX LTD.) AND SHALL NOT BE USED OR DISCUSSED IN WHOLE OR IN PART WITHOUT ELCO EUROPE'S WRITTEN CONSENT.

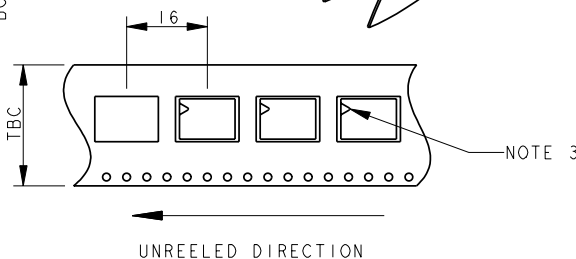
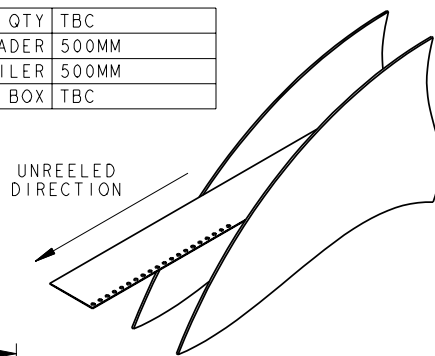
## 3 WAY PCB BOARD LAYOUT

THICKNESS  $1.60 \pm 0.15$



## PACKING DETAILS

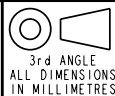
REEL QTY	TBC
LEADER	500MM
TRAILER	500MM
REELS PER BOX	TBC



SHEET 3 OF 5

FORM-106-01-056-6 ISS 7

Release No.  
History  
102527



**ELCO**

© COPYRIGHT ELCO EUROPE  
NOT TO BE DISCLOSED OR COPIED  
WITHOUT WRITTEN PERMISSION

Drawn  
N.C.H.

Description  
9159 SINGLE PART - ORDERING CODE

DATE  
06-Sept-04

Size  
CV

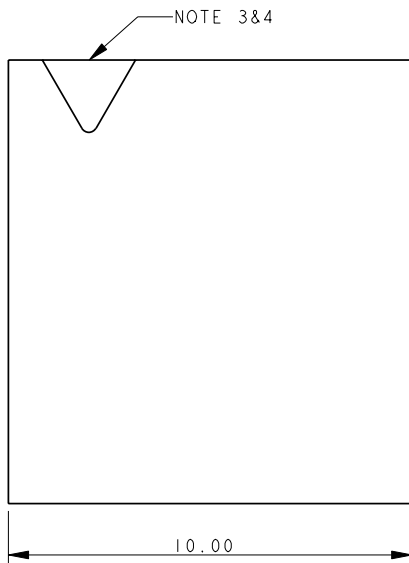
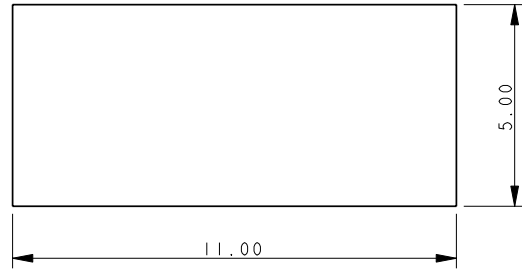
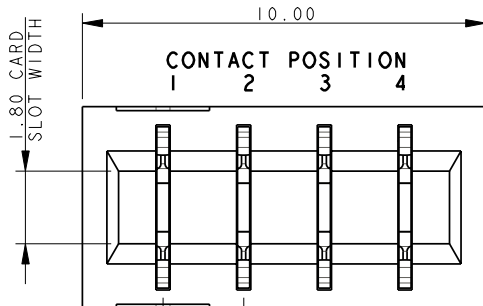
Part Number  
00-9159-01\_000S

Issue  
C

A

B

# 4 WAY SINGLE PART PCB STRIP CONNECTOR



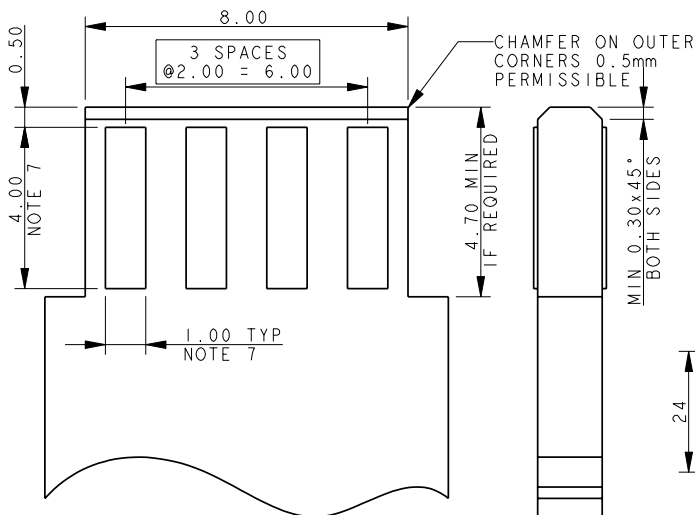
## NOTES:

1. FOR MORE INFORMATION REFER TO PRODUCT SPEC 201-01-118.
2. DIMENSIONS ARE REFERENCE DIMENSIONS UNLESS TOLERANCED.
3. ARROW TO INDICATE CONTACT POSITION 1.
4. PCB MUST BE INSERTED FROM THE ARROW SIDE FIRST.
5. INSULATOR MATERIAL :- NYLON 46, UL94 HB, COLOUR SEE SHEET 1.
6. CONTACT MATERIAL :- COPPER ALLOY, TIN PLATED ALL OVER.
7. PCB PAD, TIN PLATED.

ELCO EUROPE (A DIVISION OF AVX LTD.) CONFIDENTIAL PROPRIETARY THE DRAWING ON THIS PRINT AND INFORMATION THEREWITH ARE PROPRIETARY TO ELCO EUROPE (A DIVISION OF AVX LTD.) AND SHALL NOT BE USED OR DISCUSSED IN WHOLE OR IN PART WITHOUT ELCO EUROPE'S WRITTEN CONSENT.

## 4 WAY PCB BOARD LAYOUT

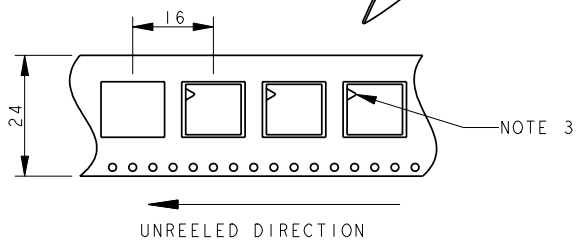
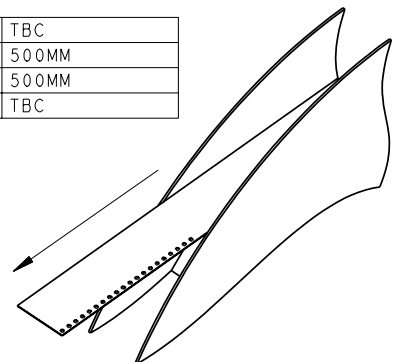
THICKNESS  $1.60 \pm 0.15$



## PACKING DETAILS

REEL QTY	TBC
LEADER	500MM
TRAILER	500MM
REELS PER BOX	TBC

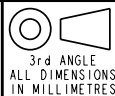
UNREEL DIRECTION



SHEET 4 OF 5

FORM-106-01-056-6 ISS 7

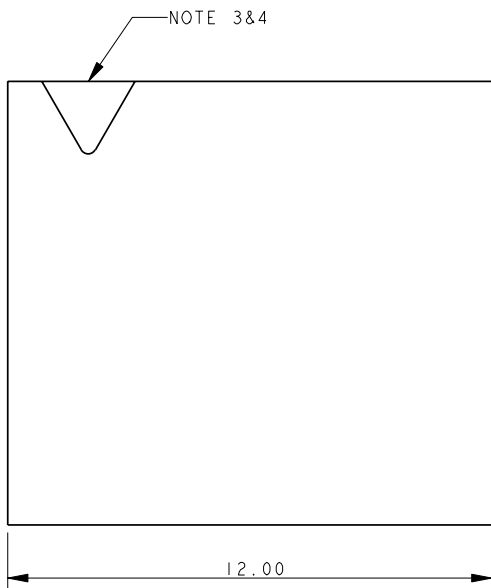
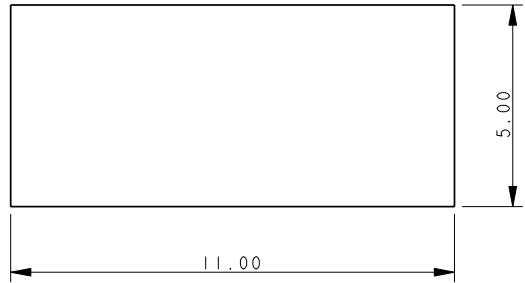
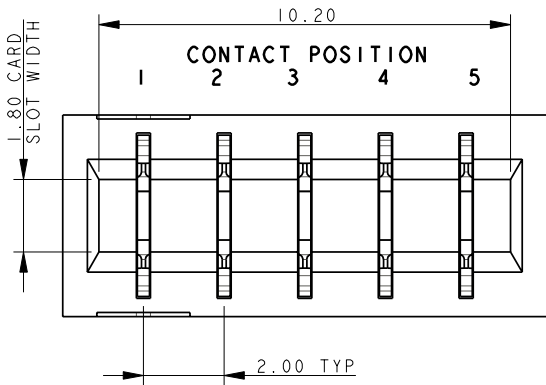
Release No.  
History  
102527



**ELCO**  
© COPYRIGHT ELCO EUROPE  
NOT TO BE DISCLOSED OR COPIED  
WITHOUT WRITTEN PERMISSION

Drawn N.C.H.	Description 9159 SINGLE PART - ORDERING CODE	DATE 10-Sep-08
Size CV	Part Number 00-9159-01_000S	Issue C

# 5 WAY SINGLE PART PCB STRIP CONNECTOR



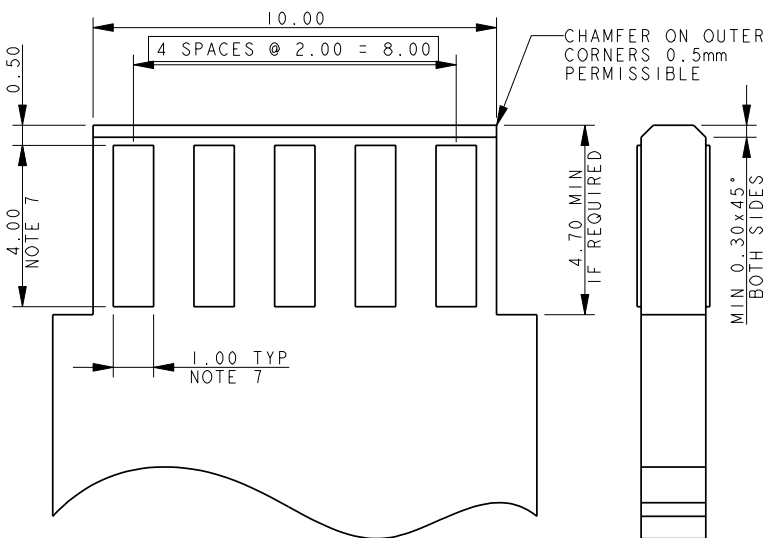
### NOTES:

1. FOR MORE INFORMATION REFER TO PRODUCT SPEC 201-01-118.
2. DIMENSIONS ARE REFERENCE DIMENSIONS UNLESS TOLERANCED.
3. ARROW TO INDICATE CONTACT POSITION 1.
4. PCB MUST BE INSERTED FROM THE ARROW SIDE FIRST.
5. INSULATOR MATERIAL :- NYLON 46, UL94 HB, COLOUR SEE SHEET 1.
6. CONTACT MATERIAL :- COPPER ALLOY, TIN PLATED ALL OVER.
7. PCB PAD, TIN PLATED.

ELCO EUROPE (A DIVISION OF AVX LTD.) CONFIDENTIAL PROPRIETARY THE DRAWING ON THIS PRINT AND INFORMATION THEREWITH ARE PROPRIETARY TO ELCO EUROPE (A DIVISION OF AVX LTD.) AND SHALL NOT BE USED OR DISCUSSED IN WHOLE OR IN PART WITHOUT ELCO EUROPE'S WRITTEN CONSENT.

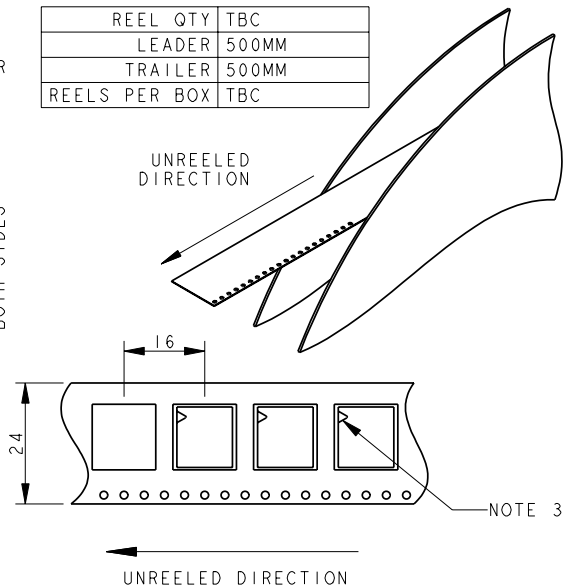
## 5 WAY PCB BOARD LAYOUT

THICKNESS 1.60±0.15



## PACKING DETAILS

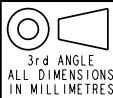
REEL QTY	TBC
LEADER	500MM
TRAILER	500MM
REELS PER BOX	TBC



SHEET 5 OF 5

FORM-106-01-056-6 ISS 7

Release No.  
History  
101527



**ELCO**

© COPYRIGHT ELCO EUROPE  
NOT TO BE DISCLOSED OR COPIED  
WITHOUT WRITTEN PERMISSION

Drawn  
N.C.H.

Description  
9159 SINGLE PART - ORDERING CODE

DATE  
06-Sept-04

Size  
CV

Part Number  
00-9159-01\_000S

Issue  
C

A

I

B



Компания «ЭлектроПласт» предлагает заключение долгосрочных отношений при поставках импортных электронных компонентов на взаимовыгодных условиях!

Наши преимущества:

- Оперативные поставки широкого спектра электронных компонентов отечественного и импортного производства напрямую от производителей и с крупнейших мировых складов;
- Поставка более 17-ти миллионов наименований электронных компонентов;
- Поставка сложных, дефицитных, либо снятых с производства позиций;
- Оперативные сроки поставки под заказ (от 5 рабочих дней);
- Экспресс доставка в любую точку России;
- Техническая поддержка проекта, помощь в подборе аналогов, поставка прототипов;
- Система менеджмента качества сертифицирована по Международному стандарту ISO 9001;
- Лицензия ФСБ на осуществление работ с использованием сведений, составляющих государственную тайну;
- Поставка специализированных компонентов (Xilinx, Altera, Analog Devices, Intersil, Interpoint, Microsemi, Aeroflex, Peregrine, Syfer, Eurofarad, Texas Instrument, Miteq, Cobham, E2V, MA-COM, Hittite, Mini-Circuits, General Dynamics и др.);

Помимо этого, одним из направлений компании «ЭлектроПласт» является направление «Источники питания». Мы предлагаем Вам помощь Конструкторского отдела:

- Подбор оптимального решения, техническое обоснование при выборе компонента;
- Подбор аналогов;
- Консультации по применению компонента;
- Поставка образцов и прототипов;
- Техническая поддержка проекта;
- Защита от снятия компонента с производства.



#### Как с нами связаться

**Телефон:** 8 (812) 309 58 32 (многоканальный)

**Факс:** 8 (812) 320-02-42

**Электронная почта:** [org@eplast1.ru](mailto:org@eplast1.ru)

**Адрес:** 198099, г. Санкт-Петербург, ул. Калинина, дом 2, корпус 4, литера А.