



Is Now Part of



ON Semiconductor®

To learn more about ON Semiconductor, please visit our website at
www.onsemi.com

Please note: As part of the Fairchild Semiconductor integration, some of the Fairchild orderable part numbers will need to change in order to meet ON Semiconductor's system requirements. Since the ON Semiconductor product management systems do not have the ability to manage part nomenclature that utilizes an underscore (_), the underscore (_) in the Fairchild part numbers will be changed to a dash (-). This document may contain device numbers with an underscore (_). Please check the ON Semiconductor website to verify the updated device numbers. The most current and up-to-date ordering information can be found at www.onsemi.com. Please email any questions regarding the system integration to Fairchild_questions@onsemi.com.

ON Semiconductor and the ON Semiconductor logo are trademarks of Semiconductor Components Industries, LLC dba ON Semiconductor or its subsidiaries in the United States and/or other countries. ON Semiconductor owns the rights to a number of patents, trademarks, copyrights, trade secrets, and other intellectual property. A listing of ON Semiconductor's product/patent coverage may be accessed at www.onsemi.com/site/pdf/Patent-Marking.pdf. ON Semiconductor reserves the right to make changes without further notice to any products herein. ON Semiconductor makes no warranty, representation or guarantee regarding the suitability of its products for any particular purpose, nor does ON Semiconductor assume any liability arising out of the application or use of any product or circuit, and specifically disclaims any and all liability, including without limitation special, consequential or incidental damages. Buyer is responsible for its products and applications using ON Semiconductor products, including compliance with all laws, regulations and safety requirements or standards, regardless of any support or applications information provided by ON Semiconductor. "Typical" parameters which may be provided in ON Semiconductor data sheets and/or specifications can and do vary in different applications and actual performance may vary over time. All operating parameters, including "Typicals" must be validated for each customer application by customer's technical experts. ON Semiconductor does not convey any license under its patent rights nor the rights of others. ON Semiconductor products are not designed, intended, or authorized for use as a critical component in life support systems or any FDA Class 3 medical devices or medical devices with a same or similar classification in a foreign jurisdiction or any devices intended for implantation in the human body. Should Buyer purchase or use ON Semiconductor products for any such unintended or unauthorized application, Buyer shall indemnify and hold ON Semiconductor and its officers, employees, subsidiaries, affiliates, and distributors harmless against all claims, costs, damages, and expenses, and reasonable attorney fees arising out of, directly or indirectly, any claim of personal injury or death associated with such unintended or unauthorized use, even if such claim alleges that ON Semiconductor was negligent regarding the design or manufacture of the part. ON Semiconductor is an Equal Opportunity/Affirmative Action Employer. This literature is subject to all applicable copyright laws and is not for resale in any manner.

NC7SP126

TinyLogic® ULP Buffer with Three-State Output

Features

- 0.9V to 3.6V V_{CC} Supply Operation
- 3.6V Over-Voltage Tolerant I/O's at V_{CC} from 0.9V to 3.6V
- Extremely High Speed t_{PD}
 - 3.0ns: Typical for 3.0V to 3.6V V_{CC}
 - 4.0ns: Typical for 2.3V to 2.7V V_{CC}
 - 5.0ns: Typical for 1.65V to 1.95V V_{CC}
 - 6.0ns: Typical for 1.4V to 1.6V V_{CC}
 - 10.0ns: Typical for 1.1V to 1.3V V_{CC}
 - 26.0ns: Typical for 0.9V V_{CC}
- Power-Off High-Impedance Inputs and Outputs
- Static Drive (I_{OH}/I_{OL})
 - ± 2.6 mA at 3.00V V_{CC}
 - ± 2.1 mA at 2.30V V_{CC}
 - ± 1.5 mA at 1.65V V_{CC}
 - ± 1.0 mA at 1.4V V_{CC}
 - ± 0.5 mA at 1.1V V_{CC}
 - ± 0.20 μ A at 0.9V V_{CC}
- Uses Proprietary Quiet Series™ Noise/EMI Reduction Circuitry
- Ultra-Small MicroPak™ Leadfree Package
- Ultra-Low Dynamic Power

Description

The NC7SP126 is a single Buffer with 3-STATE output from Fairchild's Ultra-Low Power (ULP) series of TinyLogic®. Ideal for applications where battery life is critical, this product is designed for ultra-low power consumption within the V_{CC} operating range of 0.9V to 3.6V V_{CC} .

The internal circuit is composed of a minimum of inverter stages, including the output buffer, to enable ultra-low static and dynamic power.

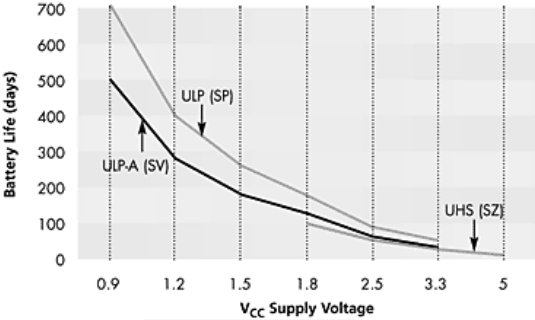
The NC7SP126, for lower drive requirements, is uniquely designed for optimized power and speed, and is fabricated with an advanced CMOS technology to achieve best in class speed operation while maintaining extremely low CMOS power dissipation.

Ordering Information

| Part Number | Top Mark | Package | Packing Method |
|-------------|----------|---|---------------------------|
| NC7SP126P5X | P26 | 5-Lead SC70, EIAJ SC-88a, 1.25mm Wide | 3000 Units on Tape & Reel |
| NC7SP126L6X | L6 | 6-Lead MicroPak™, 1.00mm Wide | 5000 Units on Tape & Reel |
| NC7SP126FHX | L6 | 6-Lead, MicroPak2™, 1x1mm Body, .35mm Pitch | 5000 Units on Tape & Reel |

TinyLogic® is a registered trademark of Fairchild Semiconductor Corporation.
MicroPak™ and Quiet Series™ are trademarks of Fairchild Semiconductor Corporation.

Battery Life



Notes:

1. TinyLogic® ULP and ULP-A with up to 50% less power consumption can extend your battery life significantly.

$$\text{Battery Life} = (V_{\text{battery}} \cdot I_{\text{battery}} \cdot .9) / (P_{\text{device}}) / 24\text{hrs/day}$$
 Where, $P_{\text{device}} = (I_{\text{CC}} \cdot V_{\text{CC}}) + (C_{\text{PD}} + C_{\text{L}}) \cdot V_{\text{CC}2} \cdot f.$
2. Assumes ideal 3.6V Lithium Ion battery with current rating of 900mAH and derated 90% and device frequency at 10MHz, with C_L = 15pF load.

Figure 1. Battery Life vs. V_{CC} Supply Voltage

Connection Diagram



Figure 2. Logic Symbol

Pin Configurations

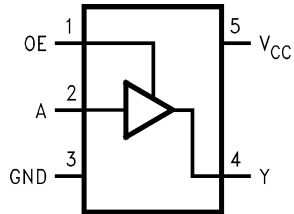


Figure 3. SC70 (Top View)

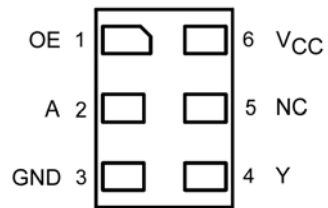


Figure 4. MicroPak™ (Top Through View)

Pin Definitions

| Pin # SC70 | Pin # MicroPak™ | Name | Description |
|------------|-----------------|-----------------|----------------|
| 1 | 1 | OE | Input |
| 2 | 2 | A | Input |
| 3 | 3 | GND | Ground |
| 4 | 4 | Y | Output |
| 5 | 6 | V _{CC} | Supply Voltage |
| | 5 | NC | No Connect |

Function Table

| Inputs | | Output |
|--------|---|--------|
| OE | A | Out Y |
| H | L | L |
| H | H | H |
| L | X | Z |

H = HIGH Logic Level

L = LOW Logic Level

X = HIGH or LOW Logic Level

Z = HIGH Impedance State

Absolute Maximum Ratings

Stresses exceeding the absolute maximum ratings may damage the device. The device may not function or be operable above the recommended operating conditions and stressing the parts to these levels is not recommended. In addition, extended exposure to stresses above the recommended operating conditions may affect device reliability. The absolute maximum ratings are stress ratings only.

| Symbol | Parameter | Min. | Max. | Unit |
|-----------------------|---|----------------------------------|----------------|------|
| V_{CC} | Supply Voltage | -0.5 | 4.6 | V |
| V_{IN} | DC Input Voltage | -0.5 | 4.6 | V |
| V_{OUT} | DC Output Voltage | HIGH or LOW State ⁽³⁾ | $V_{CC} + 0.5$ | V |
| | | $V_{CC}=0V$ | 4.6 | |
| I_{IK} | DC Input Diode Current | $V_{IN} < 0V$ | -50 | mA |
| I_{OK} | DC Output Diode Current | $V_{OUT} < 0V$ | -50 | mA |
| | | $V_{OUT} > V_{CC}$ | +50 | |
| I_{OH}/I_{OL} | DC Output Source/Sink Current | | ±50 | mA |
| I_{CC} or I_{GND} | DC V_{CC} or Ground Current per Supply Pin | | ±50 | mA |
| T_{STG} | Storage Temperature Range | -65 | +150 | °C |
| T_J | Junction Temperature under Bias | | +150 | °C |
| T_L | Junction Lead Temperature, Soldering 10 Seconds | | +260 | °C |
| P_D | Power Dissipation at +85°C | SC70-5 | 150 | mW |
| | | MicroPak™-6 | 130 | |
| | | MicroPak2™-6 | 120 | |
| ESD | Human Body Model, JEDEC:JESD22-A114 | | 4000 | V |
| | Charge Device Model, JEDEC:JESD22-C101 | | 2000 | |

Note:

- IO absolute maximum rating must be observed.

Recommended Operating Conditions

The Recommended Operating Conditions table defines the conditions for actual device operation. Recommended operating conditions are specified to ensure optimal performance to the datasheet specifications. Fairchild does not recommend exceeding them or designing to Absolute Maximum Ratings.

| Symbol | Parameter | Conditions | Min. | Max. | Unit |
|---------------------|---------------------------------|--|------|----------|------|
| V_{CC} | Supply Voltage Operating | | 0.9 | 3.6 | V |
| V_{IN} | Input Voltage | | 0 | 3.6 | V |
| V_{OUT} | Output Voltage | $V_{CC}=0V$ | 0 | 3.6 | V |
| | | HIGH or LOW State | 0 | V_{CC} | |
| I_{OH}/I_{OL} | Output Current | $V_{CC}=3.0V$ to $3.6V$ | | ±2.6 | mA |
| | | $V_{CC}=2.3V$ to $2.7V$ | | ±2.1 | |
| | | $V_{CC}=1.65V$ to $1.95V$ | | ±1.5 | |
| | | $V_{CC}=1.4V$ to $1.6V$ | | ±1.0 | |
| | | $V_{CC}=1.1V$ to $1.3V$ | | ±0.5 | |
| | | $V_{CC}=0.9V$ | | ±20 | µA |
| T_A | Operating Temperature, Free Air | | -40 | +85 | °C |
| $\Delta t/\Delta V$ | Minimum Input Edge Rate | $V_{IN}=0.8V$ to 2.0 , $V_{CC}=3.0V$ | | 10 | ns/V |
| θ_{JA} | Thermal Resistance | SC70-5 | | 425 | °C/W |
| | | MicroPak™-6 | | 500 | |
| | | MicroPak2™-6 | | 560 | |

Note:

- Unused inputs must be held HIGH or LOW. They may not float.

DC Electrical Characteristics

| Symbol | Parameter | V _{CC} | Conditions | T _A =+25°C | | T _A =-40 to +85°C | | Units |
|-------------------------------|---------------------------|-------------------------------|---|-----------------------|----------------------------|------------------------------|-----------------------|-------|
| | | | | Min. | Max. | Min. | Max. | |
| V _{IH} | HIGH Level Input Voltage | 0.90 | | .65 x V _{CC} | | .65 x V _{CC} | | V |
| | | 1.10 ≤ V _{CC} ≤ 1.30 | | .65 x V _{CC} | | .65 x V _{CC} | | |
| | | 1.40 ≤ V _{CC} ≤ 1.60 | | .65 x V _{CC} | | .65 x V _{CC} | | |
| | | 1.65 ≤ V _{CC} ≤ 1.95 | | .65 x V _{CC} | | .65 x V _{CC} | | |
| | | 2.30 ≤ V _{CC} ≤ 2.70 | | 1.6 | | 1.6 | | |
| | | 3.00 ≤ V _{CC} ≤ 3.60 | | 2.1 | | 2.1 | | |
| V _{IL} | LOW Level Input Voltage | 0.90 | | | .35 x V _{CC} | | .35 x V _{CC} | V |
| | | 1.10 ≤ V _{CC} ≤ 1.30 | | | .35 x V _{CC} | | .35 x V _{CC} | |
| | | 1.40 ≤ V _{CC} ≤ 1.60 | | | .35 x V _{CC} | | .35 x V _{CC} | |
| | | 1.65 ≤ V _{CC} ≤ 1.95 | | | .35 x V _{CC} | | .35 x V _{CC} | |
| | | 2.30 ≤ V _{CC} ≤ 2.70 | | | 0.7 | | 0.7 | |
| | | 3.00 ≤ V _{CC} ≤ 3.60 | | | 0.9 | | 0.9 | |
| V _{OH} | HIGH Level Output Voltage | 0.90 | I _{OH} =-20μA | V _{CC} -0.1 | | V _{CC} -0.1 | | V |
| | | 1.10 ≤ V _{CC} ≤ 1.30 | | V _{CC} -0.1 | | V _{CC} -0.1 | | |
| | | 1.40 ≤ V _{CC} ≤ 1.60 | | V _{CC} -0.1 | | V _{CC} -0.1 | | |
| | | 1.65 ≤ V _{CC} ≤ 1.95 | | V _{CC} -0.1 | | V _{CC} -0.1 | | |
| | | 2.30 ≤ V _{CC} ≤ 2.70 | | V _{CC} -0.1 | | V _{CC} -0.1 | | |
| | | 3.00 ≤ V _{CC} ≤ 3.60 | | V _{CC} -0.1 | | V _{CC} -0.1 | | |
| | | 1.10 ≤ V _{CC} ≤ 1.30 | I _{OH} =-0.5mA | .75 x V _{CC} | | .70 x V _{CC} | | |
| | | 1.40 ≤ V _{CC} ≤ 1.60 | I _{OH} =-1mA | 1.07 | | 0.99 | | |
| | | 1.65 ≤ V _{CC} ≤ 1.95 | I _{OH} =-1.5mA | 1.24 | | 1.22 | | |
| | | 2.30 ≤ V _{CC} ≤ 2.70 | I _{OH} =-2.1mA | 1.95 | | 1.87 | | |
| 3.00 ≤ V _{CC} ≤ 3.60 | I _{OH} =-2.6mA | 2.61 | | 2.55 | | | | |
| V _{OL} | LOW Level Output Voltage | 0.90 | I _{OL} =20μA | | 0.1 | | 0.1 | V |
| | | 1.10 ≤ V _{CC} ≤ 1.30 | | | 0.1 | | 0.1 | |
| | | 1.40 ≤ V _{CC} ≤ 1.60 | | | 0.1 | | 0.1 | |
| | | 1.65 ≤ V _{CC} ≤ 1.95 | | | 0.1 | | 0.1 | |
| | | 2.30 ≤ V _{CC} ≤ 2.70 | | | 0.1 | | 0.1 | |
| | | 3.00 ≤ V _{CC} ≤ 3.60 | | | 0.1 | | 0.1 | |
| | | 1.10 ≤ V _{CC} ≤ 1.30 | I _{OL} =0.5mA | | .30 x V _{CC} | | .30 x V _{CC} | |
| | | 1.40 ≤ V _{CC} ≤ 1.60 | I _{OL} =1mA | | 0.31 | | 0.37 | |
| | | 1.65 ≤ V _{CC} ≤ 1.95 | I _{OL} =1.5mA | | 0.31 | | 0.35 | |
| | | 2.30 ≤ V _{CC} ≤ 2.70 | I _{OL} =2.1mA | | 0.31 | | 0.33 | |
| | | 3.00 ≤ V _{CC} ≤ 3.60 | I _{OL} =2.6mA | | 0.31 | | 0.33 | |
| | | I _{IN} | Input Leakage Current | 0.90 to 3.60 | 0 ≤ V _{IN} ≤ 3.60 | | ±0.1 | |
| I _{OZ} | 3-STATE Output Leakage | 0.90 to 3.6 | V _{IN} =V _{IH} or V _{IL} 0 ≤ V _{IN} ≤ 3.60 | | ±0.5 | | ±0.5 | μA |
| I _{OFF} | Power Off Leakage Current | 0 | 0 ≤ (V _{IN} , V _O) ≤ 3.60 | | 0.5 | | 0.5 | μA |
| I _{CC} | Quiescent Supply Current | 0.90 to 3.60 | V _{IN} =V _{CC} , or GND | | 0.9 | | 0.9 | μA |

AC Electrical Characteristics

| Symbol | Parameter | V _{CC} | Conditions | T _A =+25°C | | | T _A =-40 to +85°C | | Units | Figure |
|-------------------------------------|---------------------|-------------------------------|---|-----------------------|------|------|------------------------------|------|-------|----------------------|
| | | | | Min. | Typ. | Max. | Min. | Max. | | |
| t _{PHL} , t _{PLH} | Propagation Delay | 0.90 | C _L =10pF, R _L =1MΩ | | 26 | | | | ns | Figure 5 Figure 6 |
| | | 1.10 ≤ V _{CC} ≤ 1.30 | | 4.0 | 10.0 | 19.1 | 3.5 | 39.6 | | |
| | | 1.40 ≤ V _{CC} ≤ 1.60 | | 2.0 | 6.0 | 11.2 | 1.5 | 14.5 | | |
| | | 1.65 ≤ V _{CC} ≤ 1.95 | | 1.5 | 5.0 | 8.6 | 1.0 | 11.6 | | |
| | | 2.30 ≤ V _{CC} ≤ 2.70 | | 1.0 | 4.0 | 6.3 | 0.8 | 8.2 | | |
| | | 3.00 ≤ V _{CC} ≤ 3.60 | | 1.0 | 3.0 | 5.3 | 0.5 | 7.2 | | |
| t _{PZL} , t _{PZH} | Output Enable Time | 0.90 | C _L =10pF, R _U =5000Ω R _D =5000Ω | | 29 | | | | ns | Figure 5 Figure 6 |
| | | 1.10 ≤ V _{CC} ≤ 1.30 | | 4.0 | 8.0 | 17.5 | 3.5 | 40.4 | | |
| | | 1.40 ≤ V _{CC} ≤ 1.60 | | 2.0 | 6.0 | 11.9 | 1.5 | 14.8 | | |
| | | 1.65 ≤ V _{CC} ≤ 1.95 | | 1.5 | 5.0 | 9.7 | 1.0 | 12.3 | | |
| | | 2.30 ≤ V _{CC} ≤ 2.70 | | 1.0 | 4.0 | 7.7 | 0.8 | 10.5 | | |
| | | 3.00 ≤ V _{CC} ≤ 3.60 | | 1.0 | 3.0 | 6.9 | 0.5 | 8.6 | | |
| t _{PHZ} , t _{PLZ} | Output Disable Time | 0.90 | C _L =10pF, R _U =5000Ω R _D =5000Ω | | 28 | | | | ns | Figure 5 Figure 6 |
| | | 1.10 ≤ V _{CC} ≤ 1.30 | | 4.0 | 8.0 | 20.5 | 3.5 | 42.0 | | |
| | | 1.40 ≤ V _{CC} ≤ 1.60 | | 2.0 | 6.0 | 15.3 | 1.5 | 18.0 | | |
| | | 1.65 ≤ V _{CC} ≤ 1.95 | | 1.5 | 5.0 | 14.7 | 1.0 | 17.8 | | |
| | | 2.30 ≤ V _{CC} ≤ 2.70 | | 1.0 | 4.0 | 13.7 | 0.8 | 15.0 | | |
| | | 3.00 ≤ V _{CC} ≤ 3.60 | | 1.0 | 3.0 | 13.5 | 0.5 | 14.8 | | |
| t _{PHL} , t _{PLH} | Propagation Delay | 0.90 | C _L =15pF, R _L =1MΩ | | 28 | | | | ns | Figure 5 Figure 6 |
| | | 1.10 ≤ V _{CC} ≤ 1.30 | | 5.0 | 10.0 | 20.5 | 4.5 | 42.5 | | |
| | | 1.40 ≤ V _{CC} ≤ 1.60 | | 3.0 | 7.0 | 11.8 | 2.5 | 15.4 | | |
| | | 1.65 ≤ V _{CC} ≤ 1.95 | | 2.0 | 5.0 | 9.1 | 2.0 | 12.2 | | |
| | | 2.30 ≤ V _{CC} ≤ 2.70 | | 1.5 | 4.0 | 6.6 | 1.0 | 8.6 | | |
| | | 3.00 ≤ V _{CC} ≤ 3.60 | | 1.0 | 3.0 | 5.6 | 0.5 | 7.5 | | |
| t _{PZL} , t _{PZH} | Output Enable Time | 0.90 | C _L =15pF, R _U =5000Ω R _D =5000Ω | | 31 | | | | ns | Figure 5 Figure 6 |
| | | 1.10 ≤ V _{CC} ≤ 1.30 | | 5.0 | 11.0 | 18.2 | 4.5 | 43.3 | | |
| | | 1.40 ≤ V _{CC} ≤ 1.60 | | 3.0 | 7.0 | 12.5 | 2.5 | 15.5 | | |
| | | 1.65 ≤ V _{CC} ≤ 1.95 | | 2.0 | 5.0 | 10.2 | 2.0 | 12.9 | | |
| | | 2.30 ≤ V _{CC} ≤ 2.70 | | 1.5 | 4.0 | 8.0 | 1.0 | 9.9 | | |
| | | 3.00 ≤ V _{CC} ≤ 3.60 | | 1.0 | 3.0 | 7.2 | 0.5 | 8.9 | | |
| t _{PHZ} , t _{PLZ} | Output Disable Time | 0.90 | C _L =15pF, R _U =5000Ω R _D =5000Ω | | 30 | | | | ns | Figure 5 Figure 6 |
| | | 1.10 ≤ V _{CC} ≤ 1.30 | | 5.0 | 11.0 | 21.6 | 4.5 | 44.9 | | |
| | | 1.40 ≤ V _{CC} ≤ 1.60 | | 3.0 | 7.0 | 15.9 | 2.5 | 18.8 | | |
| | | 1.65 ≤ V _{CC} ≤ 1.95 | | 2.0 | 5.0 | 15.2 | 2.0 | 18.2 | | |
| | | 2.30 ≤ V _{CC} ≤ 2.70 | | 1.5 | 4.0 | 14.1 | 1.0 | 15.4 | | |
| | | 3.00 ≤ V _{CC} ≤ 3.60 | | 1.0 | 3.0 | 13.9 | 0.5 | 15.1 | | |

Continued on following page...

AC Electrical Characteristics (Continued)

| Symbol | Parameter | V _{CC} | Conditions | T _A =+25°C | | | T _A =-40 to +85°C | | | Units | Figure |
|-------------------------------------|-------------------------------|-------------------------------|---|-----------------------|------|------|------------------------------|------|----|----------------------|--------|
| | | | | Min. | Typ. | Min. | Typ. | Min. | | | |
| t _{PHL} , t _{PLH} | Propagation Delay | 0.90 | C _L =30pF, R _L =1MΩ | | 34 | | | | ns | Figure 5 Figure 6 | |
| | | 1.10 ≤ V _{CC} ≤ 1.30 | | 5.5 | 12.0 | 23.4 | 5.0 | 51.1 | | | |
| | | 1.40 ≤ V _{CC} ≤ 1.60 | | 4.0 | 8.0 | 13.8 | 3.0 | 17.7 | | | |
| | | 1.65 ≤ V _{CC} ≤ 1.95 | | 2.0 | 6.0 | 10.6 | 2.0 | 14.0 | | | |
| | | 2.30 ≤ V _{CC} ≤ 2.70 | | 1.0 | 5.0 | 7.6 | 1.0 | 9.9 | | | |
| | | 3.00 ≤ V _{CC} ≤ 3.60 | | 0.8 | 4.0 | 6.4 | 0.5 | 8.9 | | | |
| t _{PZL} , t _{PZH} | Output Enable Time | 0.90 | C _L =30pF, R _U =5000Ω R _D =5000Ω | | 37 | | | | ns | Figure 5 Figure 6 | |
| | | 1.10 ≤ V _{CC} ≤ 1.30 | | 6.0 | 13.0 | 24.4 | 5.0 | 51.9 | | | |
| | | 1.40 ≤ V _{CC} ≤ 1.60 | | 4.0 | 8.0 | 14.5 | 3.0 | 17.9 | | | |
| | | 1.65 ≤ V _{CC} ≤ 1.95 | | 2.0 | 6.0 | 11.7 | 2.0 | 14.7 | | | |
| | | 2.30 ≤ V _{CC} ≤ 2.70 | | 1.0 | 5.0 | 9.1 | 1.0 | 11.1 | | | |
| | | 3.00 ≤ V _{CC} ≤ 3.60 | | 0.8 | 4.0 | 8.1 | 0.5 | 10.1 | | | |
| t _{PHZ} , t _{PLZ} | Output Disable Time | 0.90 | C _L =30pF, R _U =5000Ω R _D =5000Ω | | 36 | | | | ns | Figure 5 Figure 6 | |
| | | 1.10 ≤ V _{CC} ≤ 1.30 | | 6.0 | 13.0 | 24.8 | 5.0 | 53.5 | | | |
| | | 1.40 ≤ V _{CC} ≤ 1.60 | | 4.0 | 8.0 | 17.1 | 3.0 | 21.1 | | | |
| | | 1.65 ≤ V _{CC} ≤ 1.95 | | 2.0 | 6.0 | 16.5 | 2.0 | 20.5 | | | |
| | | 2.30 ≤ V _{CC} ≤ 2.70 | | 1.0 | 5.0 | 15.2 | 1.0 | 16.7 | | | |
| | | 3.00 ≤ V _{CC} ≤ 3.60 | | 0.8 | 4.0 | 14.8 | 0.5 | 16.3 | | | |
| C _{IN} | Input Capacitance | 0.00 | | | 2 | | | | pF | | |
| C _{OUT} | Output Capacitance | 0.00 | | | 4 | | | | pF | | |
| C _{PD} | Power Dissipation Capacitance | 0.90 to 3.60 | V _{IN} =0V or V _{CC} , f=10MHz | | 8 | | | | | pF | |

AC Loadings and Waveforms

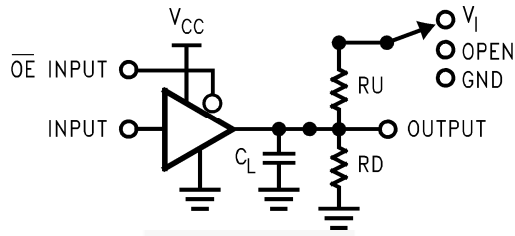


Figure 5. AC Test Circuit

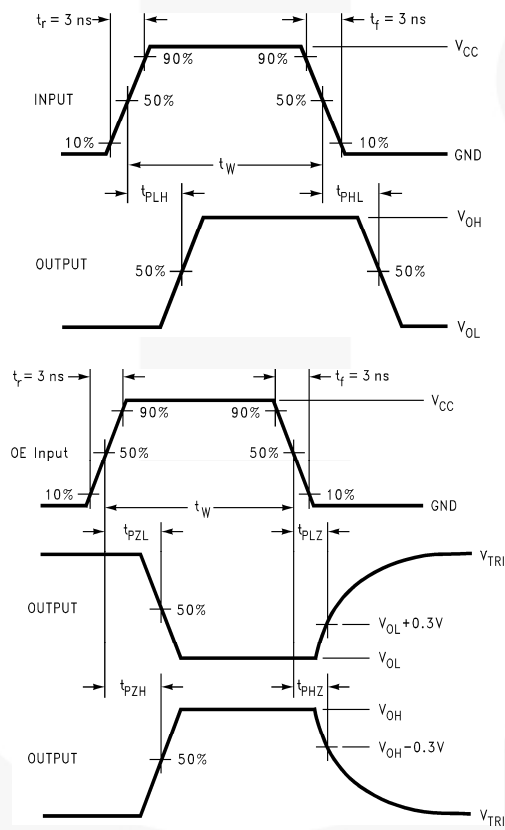


Figure 6. AC Waveforms

| Symbol | V_{CC} | | | | | |
|----------|-----------------|-----------------|------------------|------------------|------------------|------------|
| | $3.3V \pm 0.3V$ | $2.5V \pm 0.2V$ | $1.8V \pm 0.15V$ | $1.5V \pm 0.10V$ | $1.2V \pm 0.10V$ | $0.9V$ |
| V_{mi} | 1.5V | $V_{CC}/2$ | $V_{CC}/2$ | $V_{CC}/2$ | $V_{CC}/2$ | $V_{CC}/2$ |
| V_{mo} | 0.3V | 0.15V | 0.15V | 0.10V | 0.10V | 0.10V |

Physical Dimensions

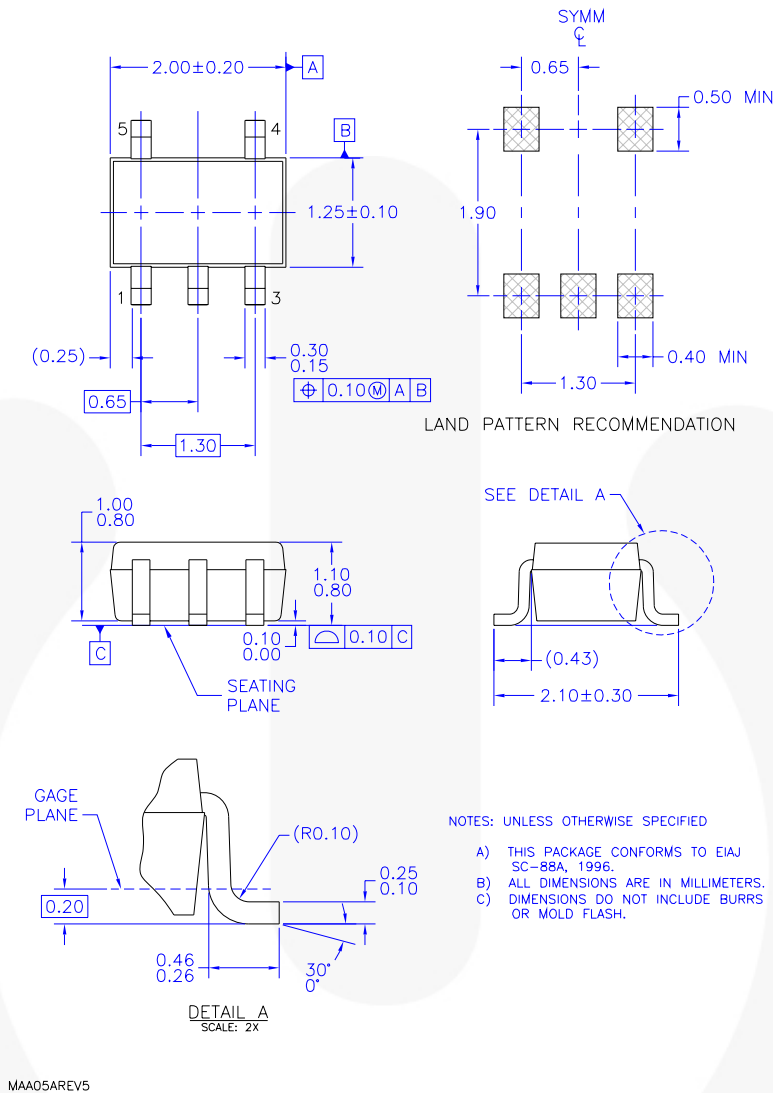


Figure 7. 5-Lead, SC70, EIAJ SC-88a, 1.25mm Wide

Package drawings are provided as a service to customers considering Fairchild components. Drawings may change in any manner without notice. Please note the revision and/or date on the drawing and contact a Fairchild Semiconductor representative to verify or obtain the most recent revision. Package specifications do not expand the terms of Fairchild's worldwide terms and conditions, specifically the warranty therein, which covers Fairchild products.

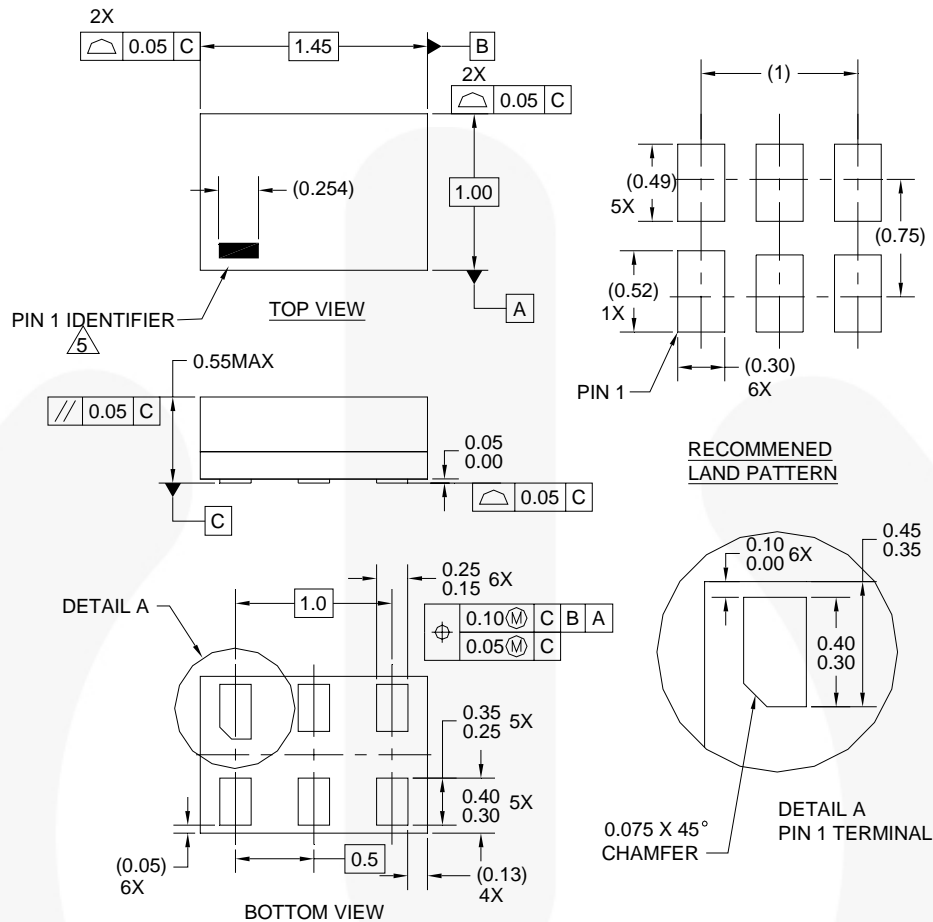
Always visit Fairchild Semiconductor's online packaging area for the most recent package drawings:
<http://www.fairchildsemi.com/packaging/>

Tape and Reel Specification

Please visit Fairchild Semiconductor's online packaging area for the most recent tape and reel specifications:
http://www.fairchildsemi.com/products/analog/pdf/sc70-5_tr.pdf

| Package Designator | Tape Section | Cavity Number | Cavity Status | Cover Type Status |
|--------------------|--------------------|---------------|---------------|-------------------|
| P5X | Leader (Start End) | 125 (Typical) | Empty | Sealed |
| | Carrier | 3000 | Filled | Sealed |
| | Trailer (Hub End) | 75 (Typical) | Empty | Sealed |

Physical Dimensions



Notes:

1. CONFORMS TO JEDEC STANDARD M0-252 VARIATION UAAD
2. DIMENSIONS ARE IN MILLIMETERS
3. DRAWING CONFORMS TO ASME Y14.5M-1994
4. FILENAME AND REVISION: MAC06AREV4
5. PIN ONE IDENTIFIER IS 2X LENGTH OF ANY OTHER LINE IN THE MARK CODE LAYOUT.

Figure 8. 6-Lead, MicroPak™, 1.0mm Wide

Package drawings are provided as a service to customers considering Fairchild components. Drawings may change in any manner without notice. Please note the revision and/or date on the drawing and contact a Fairchild Semiconductor representative to verify or obtain the most recent revision. Package specifications do not expand the terms of Fairchild's worldwide terms and conditions, specifically the warranty therein, which covers Fairchild products.

Always visit Fairchild Semiconductor's online packaging area for the most recent package drawings:
<http://www.fairchildsemi.com/packaging/>

Tape and Reel Specification

Please visit Fairchild Semiconductor's online packaging area for the most recent tape and reel specifications:
http://www.fairchildsemi.com/products/logic/pdf/micropak_tr.pdf

| Package Designator | Tape Section | Cavity Number | Cavity Status | Cover Type Status |
|--------------------|--------------------|---------------|---------------|-------------------|
| L6X | Leader (Start End) | 125 (Typical) | Empty | Sealed |
| | Carrier | 5000 | Filled | Sealed |
| | Trailer (Hub End) | 75 (Typical) | Empty | Sealed |

Physical Dimensions

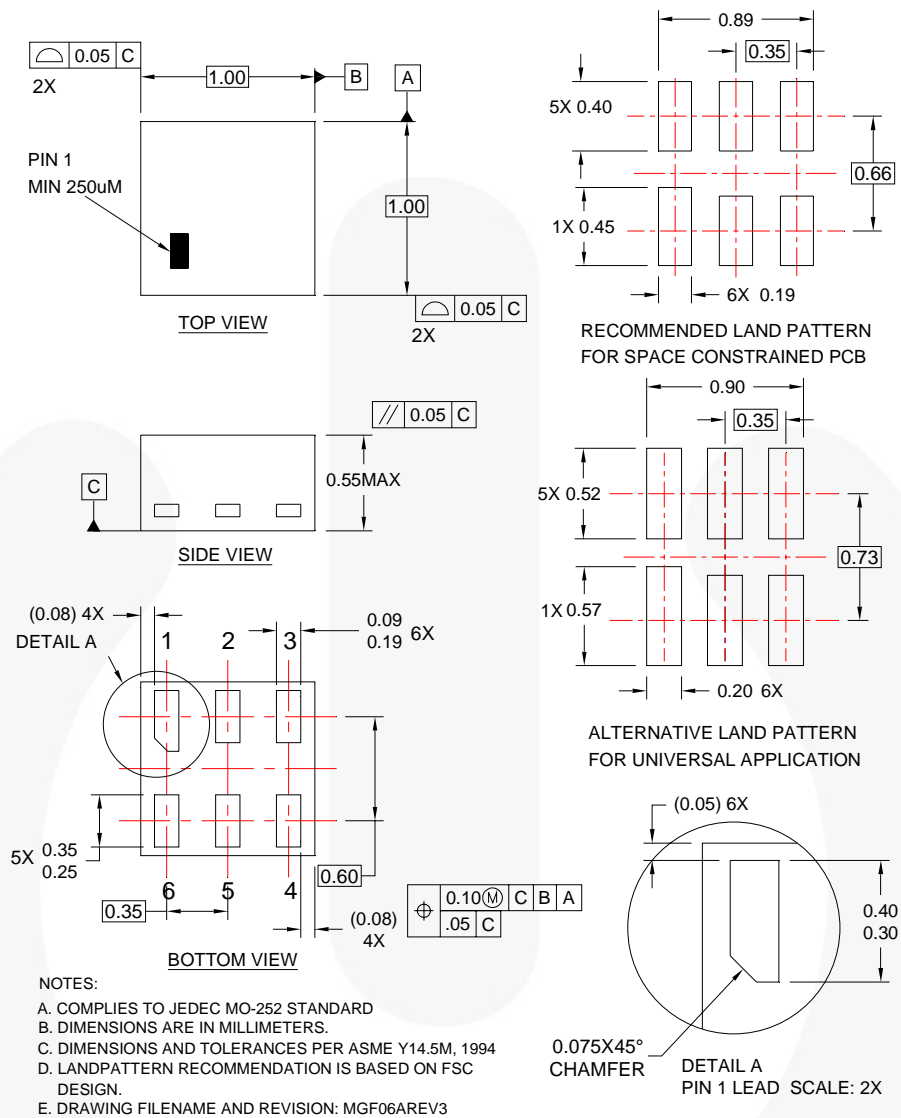


Figure 9. 6-Lead, MicroPak2™, 1x1mm Body, .35mm Pitch

Package drawings are provided as a service to customers considering Fairchild components. Drawings may change in any manner without notice. Please note the revision and/or date on the drawing and contact a Fairchild Semiconductor representative to verify or obtain the most recent revision. Package specifications do not expand the terms of Fairchild's worldwide terms and conditions, specifically the warranty therein, which covers Fairchild products.

Always visit Fairchild Semiconductor's online packaging area for the most recent package drawings:
<http://www.fairchildsemi.com/packaging/>

Tape and Reel Specifications




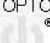
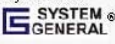
Please visit Fairchild Semiconductor's online packaging area for the most recent tape and reel specifications:
http://www.fairchildsemi.com/packaging/MicroPAK2_6L_tr.pdf

| Package Designator | Tape Section | Cavity Number | Cavity Status | Cover Type Status |
|--------------------|--------------------|---------------|---------------|-------------------|
| FHX | Leader (Start End) | 125 (Typical) | Empty | Sealed |
| | Carrier | 5000 | Filled | Sealed |
| | Trailer (Hub End) | 75 (Typical) | Empty | Sealed |



TRADEMARKS

The following includes registered and unregistered trademarks and service marks, owned by Fairchild Semiconductor and/or its global subsidiaries, and is not intended to be an exhaustive list of all such trademarks.

- | | | | |
|---|---|---|---|
| AccuPower™ | F-PFS™ | Power-SPM™ | The Power Franchise® |
| Auto-SPM™ | FRFET® | PowerTrench® | The Right Technology for Your Success™ |
| AX-CAPT™ | Global Power Resource™ | PowerXS™ | the power franchise |
| Build it Now™ | Green FPST™ | Programmable Active Droop™ | TinyBoost™ |
| CorePLUS™ | Green FPST™ e-Series™ | QFET® | TinyBuck™ |
| CorePOWER™ | Gmax™ | QST™ | TinyCalc™ |
| CROSSVOL7™ | GTO™ | Quiet Series™ | TinyLogic® |
| CTL™ | IntelliMAX™ | RapidConfigure™ | TinyOPTO™ |
| Current Transfer Logic™ | ISOPLANAR™ |  | TinyPower™ |
| DEUXPEED® | MegaBuck™ | Saving our world, 1mW/kW at a time™ | TinyPWM™ |
| Dual Cool™ | MICROCOUPLER™ | SignalVise™ | TinyWire™ |
| EcoSPARK® | MicroFET™ | SmartMax™ | TriFault Detect™ |
| EfficientMax™ | MicroPak™ | SMART START™ | TRUECURRENT™* |
| ESBC™ | MicroPak2™ | SPM® | µSerDes™ |
|  | MillerDrive™ | STEALTH™ |  |
| Fairchild® | MotionMax™ | SuperFET® | UHC® |
| Fairchild Semiconductor® | Motion-SPM™ | SuperSOT™.3 | Ultra FRFET™ |
| FACT Quiet Series™ | mWSaver™ | SuperSOT™.6 | UniFET™ |
| FACT® | OptoHIT™ | SuperSOT™.8 | VCM™ |
| FAST® | OPTOLOGIC® | SupreMOS® | VisualMax™ |
| FastvCore™ | OPTOPLANAR® | SyncFET™ | XS™ |
| FETBench™ |  | Sync-Lock™ | |
| FlashWriter® | PDP SPM™ |  | |
| FPST™ | | | |

* Trademarks of System General Corporation, used under license by Fairchild Semiconductor.

DISCLAIMER

FAIRCHILD SEMICONDUCTOR RESERVES THE RIGHT TO MAKE CHANGES WITHOUT FURTHER NOTICE TO ANY PRODUCTS HEREIN TO IMPROVE RELIABILITY, FUNCTION, OR DESIGN. FAIRCHILD DOES NOT ASSUME ANY LIABILITY ARISING OUT OF THE APPLICATION OR USE OF ANY PRODUCT OR CIRCUIT DESCRIBED HEREIN; NEITHER DOES IT CONVEY ANY LICENSE UNDER ITS PATENT RIGHTS, NOR THE RIGHTS OF OTHERS. THESE SPECIFICATIONS DO NOT EXPAND THE TERMS OF FAIRCHILD'S WORLDWIDE TERMS AND CONDITIONS, SPECIFICALLY THE WARRANTY THEREIN, WHICH COVERS THESE PRODUCTS.

LIFE SUPPORT POLICY

FAIRCHILD'S PRODUCTS ARE NOT AUTHORIZED FOR USE AS CRITICAL COMPONENTS IN LIFE SUPPORT DEVICES OR SYSTEMS WITHOUT THE EXPRESS WRITTEN APPROVAL OF FAIRCHILD SEMICONDUCTOR CORPORATION.

As used herein:

1. Life support devices or systems are devices or systems which, (a) are intended for surgical implant into the body or (b) support or sustain life, and (c) whose failure to perform when properly used in accordance with instructions for use provided in the labeling, can be reasonably expected to result in a significant injury of the user.
2. A critical component in any component of a life support, device, or system whose failure to perform can be reasonably expected to cause the failure of the life support device or system, or to affect its safety or effectiveness.

ANTI-COUNTERFEITING POLICY

Fairchild Semiconductor Corporation's Anti-Counterfeiting Policy. Fairchild's Anti-Counterfeiting Policy is also stated on our external website, www.fairchildsemi.com, under Sales Support.

Counterfeiting of semiconductor parts is a growing problem in the industry. All manufacturers of semiconductor products are experiencing counterfeiting of their parts. Customers who inadvertently purchase counterfeit parts experience many problems such as loss of brand reputation, substandard performance, failed applications, and increased cost of production and manufacturing delays. Fairchild is taking strong measures to protect ourselves and our customers from the proliferation of counterfeit parts. Fairchild strongly encourages customers to purchase Fairchild parts either directly from Fairchild or from Authorized Fairchild Distributors who are listed by country on our web page cited above. Products customers buy either from Fairchild directly or from Authorized Fairchild Distributors are genuine parts, have full traceability, meet Fairchild's quality standards for handling and storage and provide access to Fairchild's full range of up-to-date technical and product information. Fairchild and our Authorized Distributors will stand behind all warranties and will appropriately address any warranty issues that may arise. Fairchild will not provide any warranty coverage or other assistance for parts bought from Unauthorized Sources. Fairchild is committed to combat this global problem and encourage our customers to do their part in stopping this practice by buying direct or from authorized distributors.

PRODUCT STATUS DEFINITIONS

Definition of Terms

| Datasheet Identification | Product Status | Definition |
|--------------------------|-----------------------|---|
| Advance Information | Formative / In Design | Datasheet contains the design specifications for product development. Specifications may change in any manner without notice. |
| Preliminary | First Production | Datasheet contains preliminary data; supplementary data will be published at a later date. Fairchild Semiconductor reserves the right to make changes at any time without notice to improve design. |
| No Identification Needed | Full Production | Datasheet contains final specifications. Fairchild Semiconductor reserves the right to make changes at any time without notice to improve the design. |
| Obsolete | Not In Production | Datasheet contains specifications on a product that is discontinued by Fairchild Semiconductor. The datasheet is for reference information only. |

Rev. 152

ON Semiconductor and  are trademarks of Semiconductor Components Industries, LLC dba ON Semiconductor or its subsidiaries in the United States and/or other countries. ON Semiconductor owns the rights to a number of patents, trademarks, copyrights, trade secrets, and other intellectual property. A listing of ON Semiconductor's product/patent coverage may be accessed at www.onsemi.com/site/pdf/Patent-Marking.pdf. ON Semiconductor reserves the right to make changes without further notice to any products herein. ON Semiconductor makes no warranty, representation or guarantee regarding the suitability of its products for any particular purpose, nor does ON Semiconductor assume any liability arising out of the application or use of any product or circuit, and specifically disclaims any and all liability, including without limitation special, consequential or incidental damages. Buyer is responsible for its products and applications using ON Semiconductor products, including compliance with all laws, regulations and safety requirements or standards, regardless of any support or applications information provided by ON Semiconductor. "Typical" parameters which may be provided in ON Semiconductor data sheets and/or specifications can and do vary in different applications and actual performance may vary over time. All operating parameters, including "Typicals" must be validated for each customer application by customer's technical experts. ON Semiconductor does not convey any license under its patent rights nor the rights of others. ON Semiconductor products are not designed, intended, or authorized for use as a critical component in life support systems or any FDA Class 3 medical devices or medical devices with a same or similar classification in a foreign jurisdiction or any devices intended for implantation in the human body. Should Buyer purchase or use ON Semiconductor products for any such unintended or unauthorized application, Buyer shall indemnify and hold ON Semiconductor and its officers, employees, subsidiaries, affiliates, and distributors harmless against all claims, costs, damages, and expenses, and reasonable attorney fees arising out of, directly or indirectly, any claim of personal injury or death associated with such unintended or unauthorized use, even if such claim alleges that ON Semiconductor was negligent regarding the design or manufacture of the part. ON Semiconductor is an Equal Opportunity/Affirmative Action Employer. This literature is subject to all applicable copyright laws and is not for resale in any manner.

PUBLICATION ORDERING INFORMATION

LITERATURE FULFILLMENT:

Literature Distribution Center for ON Semiconductor
19521 E. 32nd Pkwy, Aurora, Colorado 80011 USA
Phone: 303-675-2175 or 800-344-3860 Toll Free USA/Canada
Fax: 303-675-2176 or 800-344-3867 Toll Free USA/Canada
Email: orderlit@onsemi.com

N. American Technical Support: 800-282-9855 Toll Free
USA/Canada
Europe, Middle East and Africa Technical Support:
Phone: 421 33 790 2910
Japan Customer Focus Center
Phone: 81-3-5817-1050

ON Semiconductor Website: www.onsemi.com
Order Literature: <http://www.onsemi.com/orderlit>
For additional information, please contact your local
Sales Representative

Mouser Electronics

Authorized Distributor

Click to View Pricing, Inventory, Delivery & Lifecycle Information:

[ON Semiconductor:](#)

[NC7SP126L6X](#) [NC7SP126FHX](#) [NC7SP126P5X](#)



Компания «ЭлектроПласт» предлагает заключение долгосрочных отношений при поставках импортных электронных компонентов на взаимовыгодных условиях!

Наши преимущества:

- Оперативные поставки широкого спектра электронных компонентов отечественного и импортного производства напрямую от производителей и с крупнейших мировых складов;
- Поставка более 17-ти миллионов наименований электронных компонентов;
- Поставка сложных, дефицитных, либо снятых с производства позиций;
- Оперативные сроки поставки под заказ (от 5 рабочих дней);
- Экспресс доставка в любую точку России;
- Техническая поддержка проекта, помощь в подборе аналогов, поставка прототипов;
- Система менеджмента качества сертифицирована по Международному стандарту ISO 9001;
- Лицензия ФСБ на осуществление работ с использованием сведений, составляющих государственную тайну;
- Поставка специализированных компонентов (Xilinx, Altera, Analog Devices, Intersil, Interpoint, Microsemi, Aeroflex, Peregrine, Syfer, Eurofarad, Texas Instrument, Miteq, Cobham, E2V, MA-COM, Hittite, Mini-Circuits, General Dynamics и др.);

Помимо этого, одним из направлений компании «ЭлектроПласт» является направление «Источники питания». Мы предлагаем Вам помощь Конструкторского отдела:

- Подбор оптимального решения, техническое обоснование при выборе компонента;
- Подбор аналогов;
- Консультации по применению компонента;
- Поставка образцов и прототипов;
- Техническая поддержка проекта;
- Защита от снятия компонента с производства.



Как с нами связаться

Телефон: 8 (812) 309 58 32 (многоканальный)

Факс: 8 (812) 320-02-42

Электронная почта: org@eplast1.ru

Адрес: 198099, г. Санкт-Петербург, ул. Калинина, дом 2, корпус 4, литера А.