

Amphenol
SV MICROWAVE[®]
RF Connectors & Components

SMP Coaxial
Connectors



SMP Coaxial Connectors

SMP Connectors

Interface

SV Microwave offers a complete line of SMP connectors that conform to DSCC 94007, 94008 and MIL-STD-348. The SMP connector was developed to meet an industry need for a smaller high frequency compact design that incorporated ease of use and functionality. The SMP bullet is the heart of this unique design.

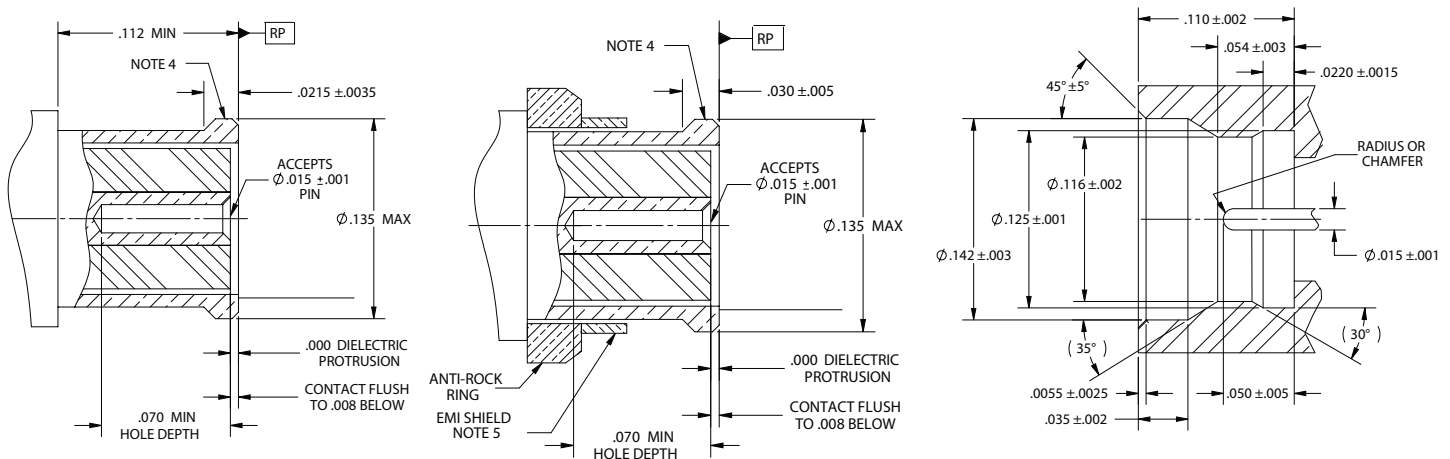
The bullet is designed to allow joining of two R.F. Modules by captivating the bullet between the two shrouds. This mounting method allows for higher density of connectors and by design the SMP bullet allows for misalignment to compensate for tolerance stack up. With significant withdraw forces on the full detent shroud, the SMP has become a standard for quick and effective interconnects using both semi-rigid and flexible cables. The "Push-on" design allows the installer to mate connectors without the need for threads or wrenches. Today's industry requires both innovation and flexibility and the SMP connector meets that challenge.

Interface Mating Dimensions

Socket (Adapter)

Socket (Cable)

Shroud (Full Detent)



1. Dimensions are in inches.
2. Metric equivalents are given for general information only.
3. Interface shall meet the force to engage and disengage requirements in accordance with the appropriate DSCC drawing.
4. Form and dimension of outer conductor to meet electrical and mechanical requirements.
5. EMI shield configuration optional: Shall not prevent proper engagement of detent required. To meet mechanical and electrical requirements of DSCC drawing 94008.

SMP Connectors - Specifications

Material and Finish

| | |
|---|--|
| Bullet Adapter Body | Beryllium Copper per ASTM B196, Copper Alloy UNS C17300, Temper TD04 Gold per ASTM B488, Type II, Code C, Class 1.27 over Nickel per AMS-QQ-N-290 Class 1 |
| Shroud (Hermetically Sealed with Corning® 7070 Glass) | Kovar® per ASTM-F15, Stainless Steel per AMS 5640, Alloy UNS S30300 Free Machining Type 303, Condition A, Passivated per AMS-QQ-P-35, Type II Gold per ASTM B488, Type II, Code C, Class 1.27 over Nickel per AMS-QQ-N-290 Class 1 |
| Shroud Non-Hermetic | Stainless per AMS 5640, Alloy UNS S30300 Free Machining Type 303, Condition A, Passivated per AMS-QQ-P-35, Type II Gold per ASTM B488, Type II, Code C, Class 1.27 over Nickel per AMS-QQ-N-290 Class 1 |
| Center Contact (Socket) | Beryllium Copper per ASTM B196, Copper Alloy UNS C17300, Temper TD04 Gold per ASTM B488, Type II, Code C, Class 1.27 over Nickel per AMS-QQ-N-290 Class 1 |
| Insulator | Teflon per ASTM D1710 |

Electrical

| | |
|------------------------------------|--|
| Frequency | DC to 40 GHz |
| Nominal Impedance | 50 Ohms |
| VSWR | Bullets 1.10:1 max.: DC to 23 GHz 1.15:1 max.: 23 to 26.5 GHz 1.30:1 max.: 26.5 to 40 GHz |
| | Cable Connectors 1.20:1 max.: DC to 18 GHz 1.35:1 max.: 18 to 26.5 GHz 1.40:1 max.: 26.5 to 40 GHz |
| Insertion Loss (Adapters) | .10 dB x \sqrt{f} (where f = GHz) dB |
| Insertion Loss (Cable Connectors) | .12 dB x \sqrt{f} (where f = GHz) dB |
| Voltage Rating | 335 VRMS max. at sea level |
| RF Leakage (Fully mated) | -80 dB min. DC to 3 GHz -65 dB min. from 3 to 26.5 GHz |
| Temperature Rating | -65°C to +165°C |
| Dielectric Withstanding Voltage | 500 VRMS min. at sea level |
| Insulation Resistance | 5,000 megohms min. |
| Center Contact (Socket) Resistance | 6.0 milliohms max. |
| Outer Contact Resistance | 2.0 milliohms max. |

Mechanical

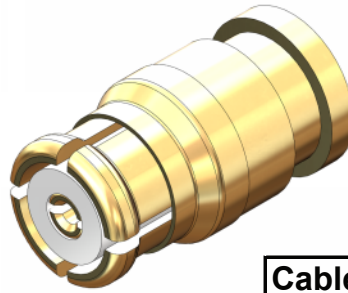
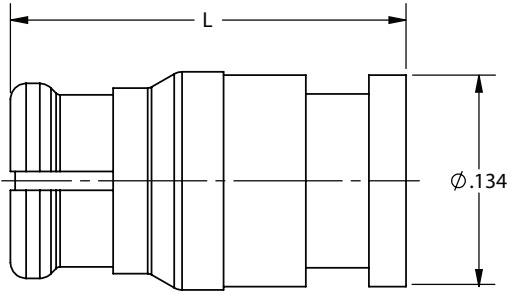
| | |
|--|--|
| Captivation – Center Contacts (Adapters and Right Angle Connectors Only) | |
| Axial Force | 1.5 lbs. min. |
| Mating Forces | |
| Force to Engage | Full detent 15.0 lbs. max.; limited detent 10.0 lbs. max.; smooth bore 2.0 lbs. max. |
| Force to Disengage | Full detent 5.0 lbs. max.; limited detent 2.0 lbs. max.; smooth bore 0.5 lbs. max. |
| Durability (Mating Cycles) | |
| Adapters | Full detent 100 max.; limited detent 500 max.; smooth bore 1,000 max. |
| Cable Connectors | 100 cycles |
| Axial Displacement | .000/.010 inch (.00/.254 mm) |
| Radial Misalignment | ± .010 inch (.254 mm); ± .020 inch (.508 mm) DSCC 94007ZSP-6SC only |

Environmental

| | |
|--------------------------------|--|
| Shock | MIL-STD-202, Method 213, Condition I (100 Gs) |
| Vibration | MIL-STD-202, Method 204, Condition D (20 Gs) |
| Barometric Pressure (Altitude) | MIL-STD-202, Method 105, Condition C (70,000 ft.) (190 VRMS) |
| Thermal Shock | MIL-STD-202, Method 107, Condition B (High Temperature +165°C) |

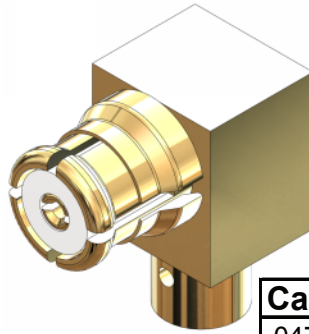
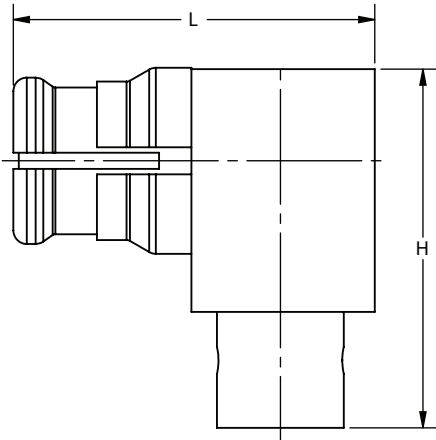
SMP Cable Connectors

Straight Female



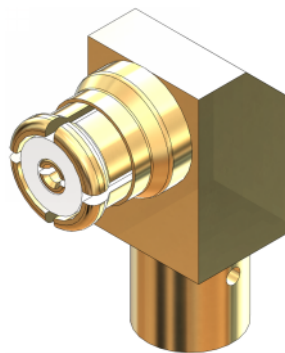
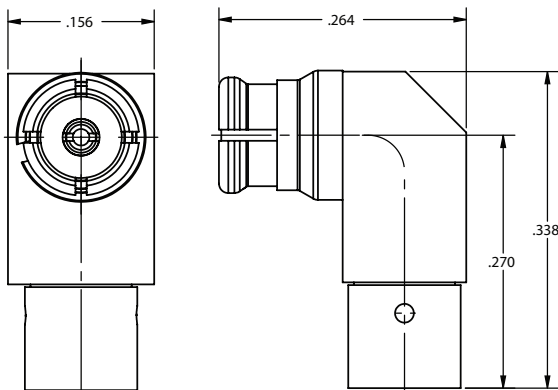
| Cable | DSCC P/N | P/N | OAL |
|--------|------------|-----------|------|
| .047 | 94008ZCG-2 | 1203-4000 | .265 |
| .085 | 94008ZCG-1 | 1204-4000 | .265 |
| RG-178 | -- | 1221-4004 | .250 |
| RG-316 | -- | 1221-4005 | .300 |

Right Angle Female



| Cable | DSCC P/N | P/N | L | H |
|--------|------------|-----------|------|------|
| .047 | 94008ZCG-4 | 1213-4007 | .265 | .220 |
| .085 | 94008ZCG-3 | 1214-4001 | .270 | .240 |
| RG-178 | -- | 1222-4006 | .268 | .266 |
| RG-316 | -- | 1221-4006 | .268 | .338 |

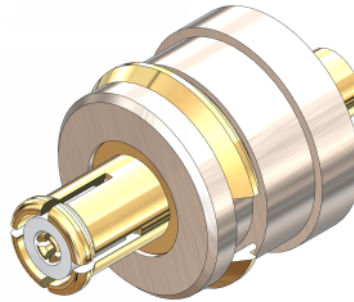
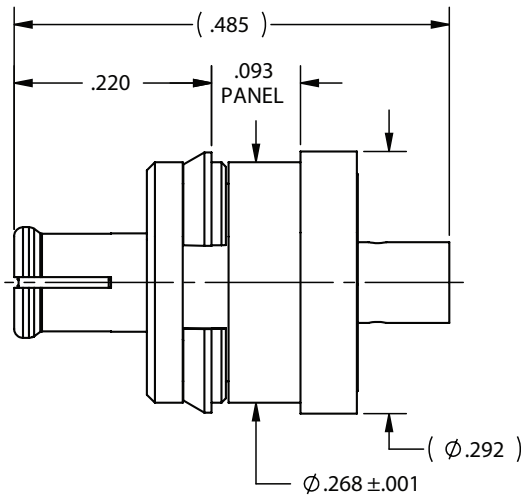
Swept Right Angle Female



| Cable | P/N |
|-------|-----------|
| .047 | 1222-4004 |
| .085 | 1222-4005 |

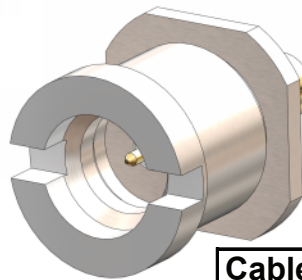
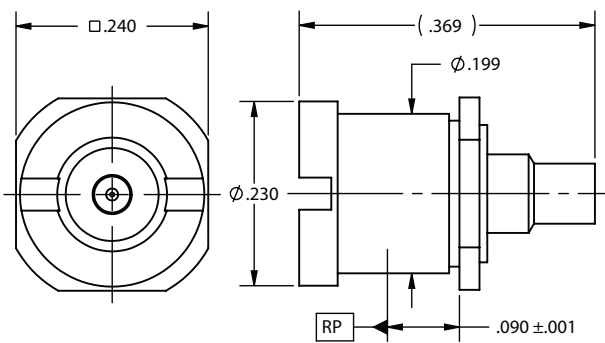
SMP Cable Connectors

Straight Female, Snap in Panel, Float Mount



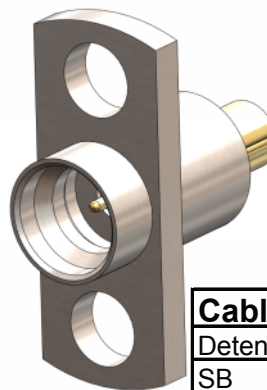
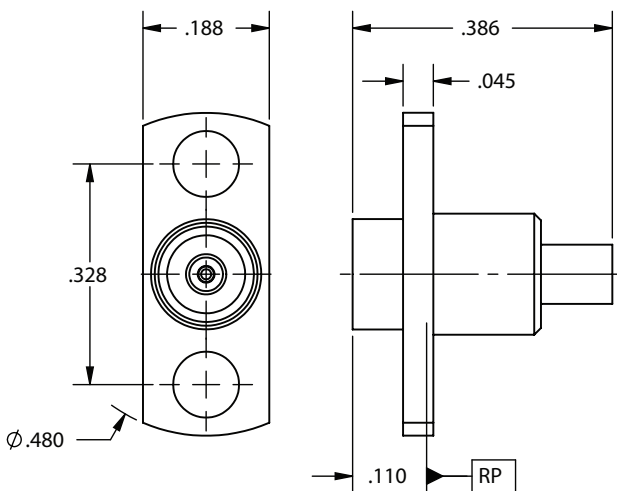
| Cable | P/N |
|-------|-----------|
| .047 | 1221-6001 |
| .085 | 1204-6000 |

Straight Male, Bulkhead Mount



| Cable | .047 | .085 |
|--------|-------------|-------------|
| Detent | P/N | P/N |
| CM | SF1211-6060 | SF1211-6063 |
| LD | SF1211-6059 | SF1211-6062 |
| FD | SF1211-6058 | SF1211-6061 |

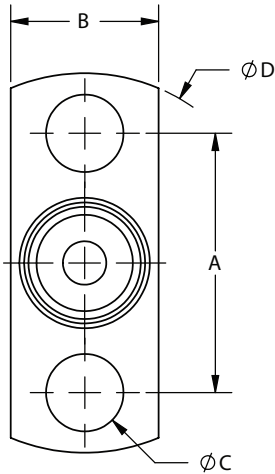
Straight Male, Two Hole Flange Mount



| Cable | .047 | .085 |
|--------|-------------|-------------|
| Detent | P/N | P/N |
| SB | SF1211-6022 | SF1211-6023 |
| LD | SF1211-6021 | SF1211-6024 |
| FD | SF1233-6000 | SF1211-6025 |

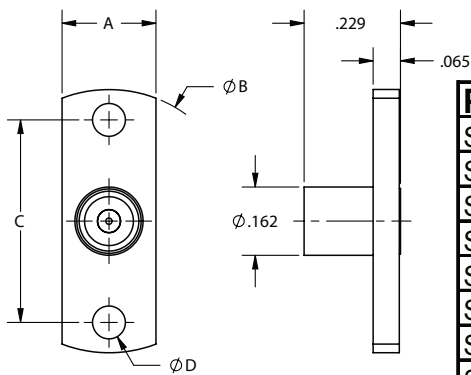
SMP Connectors

Male Shroud, Two Hole Flange Mount, No Contact



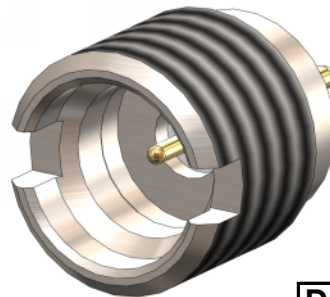
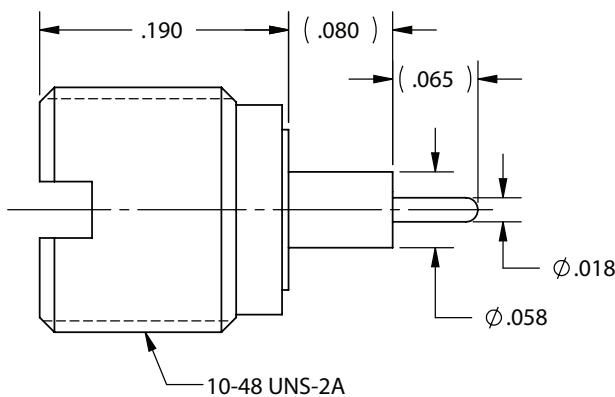
| P/N | DSCC P/N | Detent | DIM A | DIM B | DIM C | DIM D |
|-------------|-------------|--------|-------|-------|-------|-------|
| SF1254-6000 | 94007ZSP-3 | FD | .328 | .187 | .098 | .480 |
| SF1254-6001 | 94007ZSP-3L | LD | .328 | .187 | .098 | .480 |
| SF1254-6002 | -- | SB | .328 | .187 | .098 | .480 |
| SF1254-6003 | 94007ZSP-4 | FD | .481 | .223 | .102 | .625 |
| SF1254-6004 | 94007ZSP-4L | LD | .481 | .223 | .102 | .625 |
| SF1254-6005 | -- | SB | .481 | .223 | .102 | .625 |
| SF1254-6006 | 94007ZSP-5 | FD | .282 | .165 | .073 | .400 |
| SF1254-6007 | 94007ZSP-5L | LD | .282 | .165 | .073 | .400 |
| SF1254-6008 | -- | SB | .282 | .165 | .073 | .400 |

Straight Male Two Hole Flange Mount, Field Replaceable, Accepts .012" Pin



| P/N | Detent | DIM A | DIM B | DIM C | DIM D | DIM E |
|--------------|--------|-------|-------|-------|-------|-------|
| SF1211-66069 | FD | .116 | .165 | .625 | .400 | .102 |
| SF1211-66070 | LD | .120 | .165 | .625 | .400 | .102 |
| SF1211-66071 | SB | .125 | .165 | .625 | .400 | .102 |
| SF1211-66072 | FD | .116 | .190 | .625 | .400 | .102 |
| SF1211-66073 | LD | .120 | .190 | .625 | .400 | .102 |
| SF1211-66074 | SB | .125 | .190 | .625 | .400 | .102 |
| SF1211-66075 | FD | .116 | .190 | .485 | .350 | .102 |
| SF1211-66076 | LD | .120 | .190 | .485 | .350 | .102 |
| SF1211-66077 | SB | .125 | .190 | .485 | .350 | .102 |

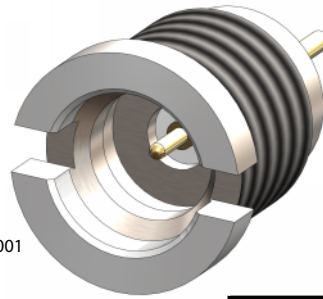
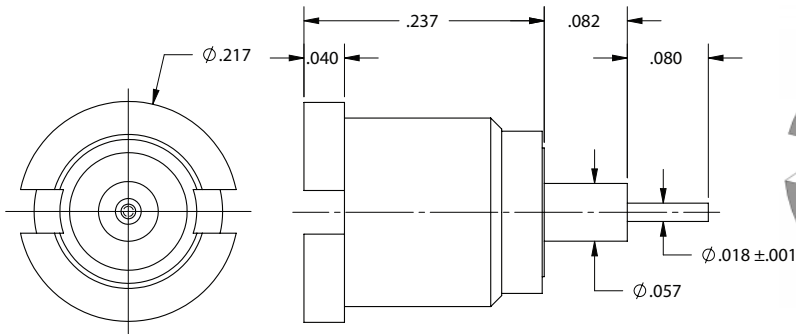
Straight Male Thread-In, .018" Contact



| Detent | P/N |
|--------|--------------|
| SB | SF1211-66114 |
| LD | SF1211-66113 |
| FD | SF1279-6001 |

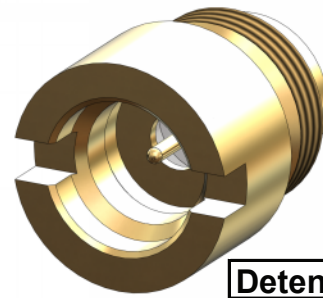
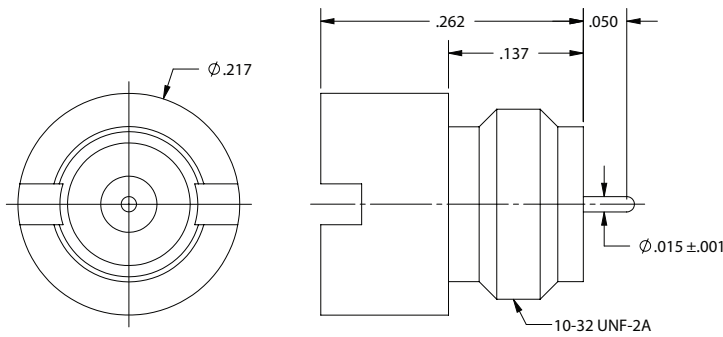
SMP Connectors

Straight Male Thread-In Terminal, .018" Contact



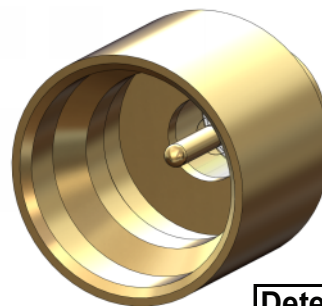
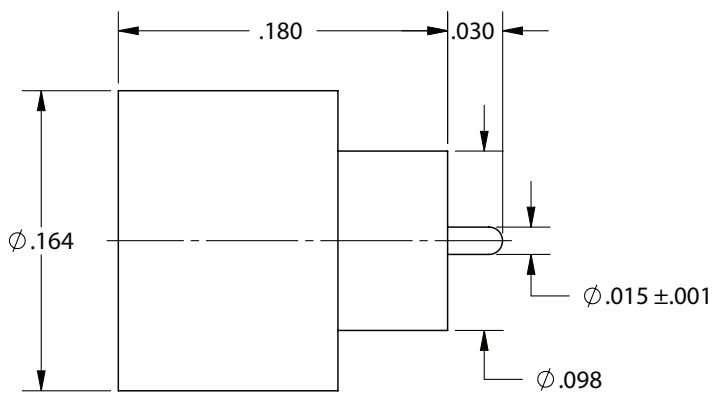
| Detent | P/N |
|--------|-------------|
| SB | SF1211-6037 |
| LD | SF1211-6036 |
| FD | SF1211-6035 |

Straight Male Thread-In Hermetic, .015" Contact



| Detent | P/N |
|--------|------------|
| SB | 1211-40008 |
| LD | 1279-4002 |
| FD | 1279-4001 |

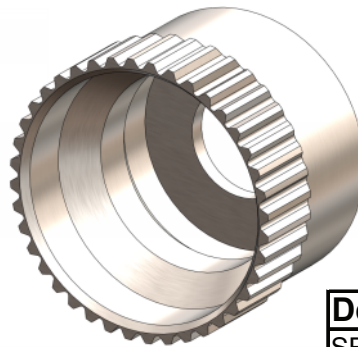
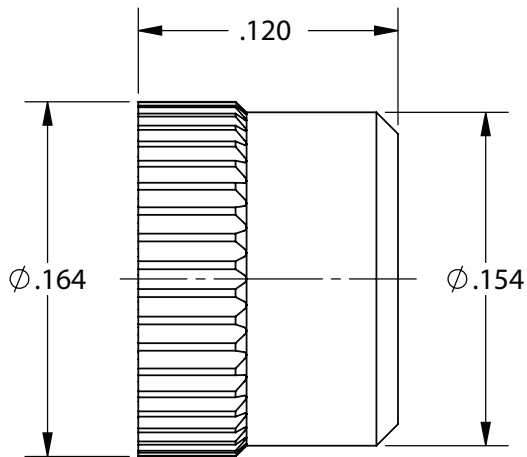
Male Solder In Hermetic, .015" Contact



| Detent | P/N |
|--------|-----------|
| SB | 1211-6043 |
| LD | 1211-6042 |
| FD | 1211-6041 |

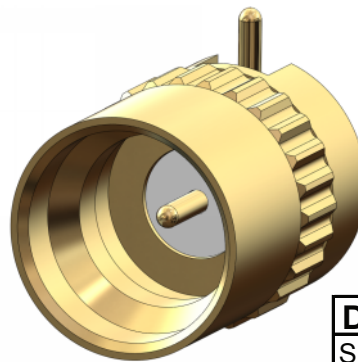
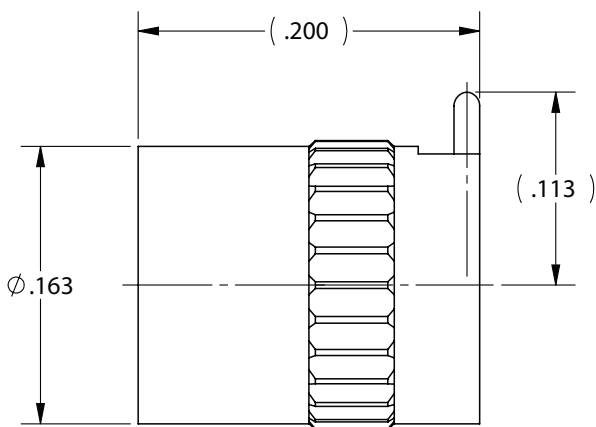
SMP Connectors

Male Press In Shroud, No Contact



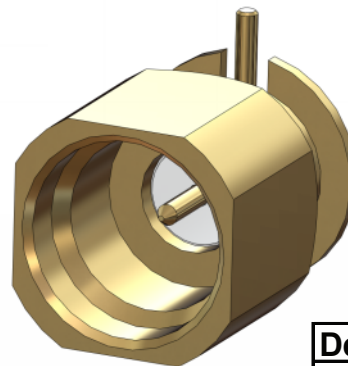
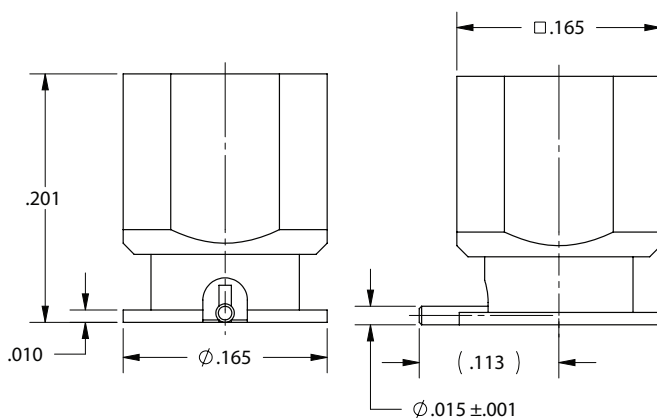
| Detent | P/N |
|--------|--------------|
| SB | SF1211-66102 |
| LD | SF1211-66101 |
| FD | SF1211-66100 |

Male Press In, R/A Contact



| Detent | P/N |
|--------|------------|
| SB | 1211-66127 |
| LD | 1211-66126 |
| FD | 1211-4000 |

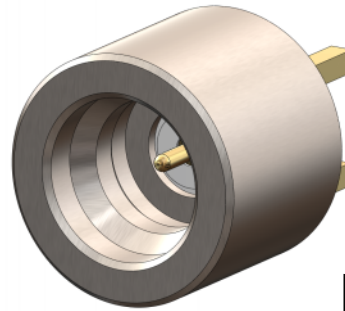
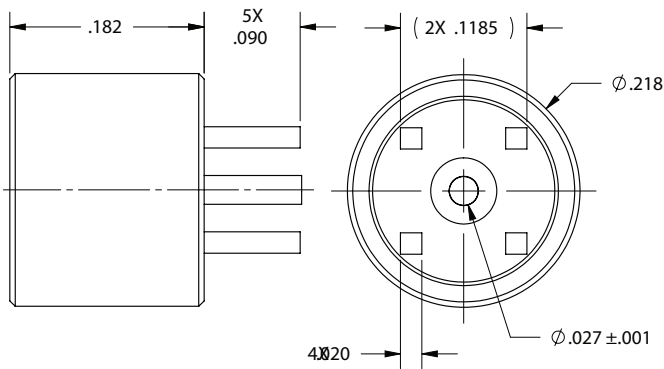
Male Surface Mount, R/A Contact



| Detent | P/N |
|--------|------------|
| SB | 1211-40001 |
| LD | 1211-40004 |
| FD | 1211-40003 |

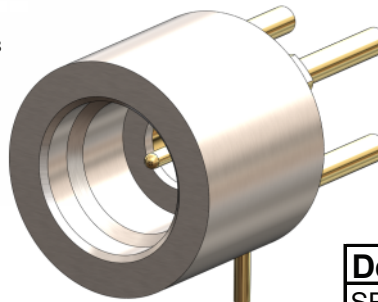
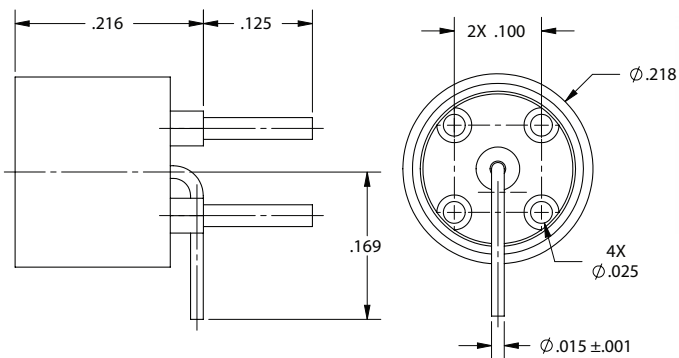
SMP Connectors

Male PCB Mount, 4 Leg, Straight Contact



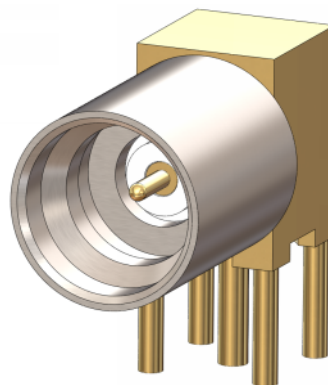
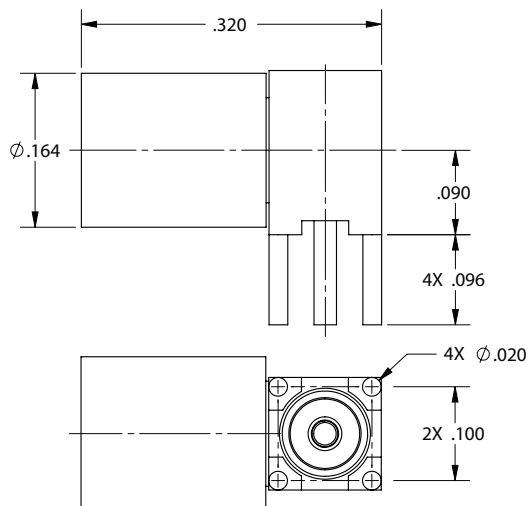
| Detent | P/N |
|--------|-------------|
| SB | SF1211-6045 |
| LD | SF1211-6044 |
| FD | SF1287-6001 |

Male PCB Mount, 4 Leg, Right Angle Contact



| Detent | P/N |
|--------|--------------|
| SB | SF1211-40002 |
| LD | SF1211-40006 |
| FD | SF1211-40007 |

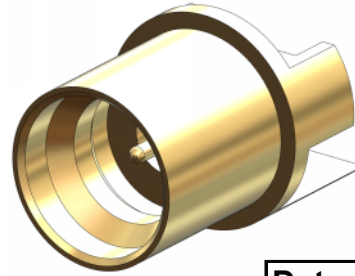
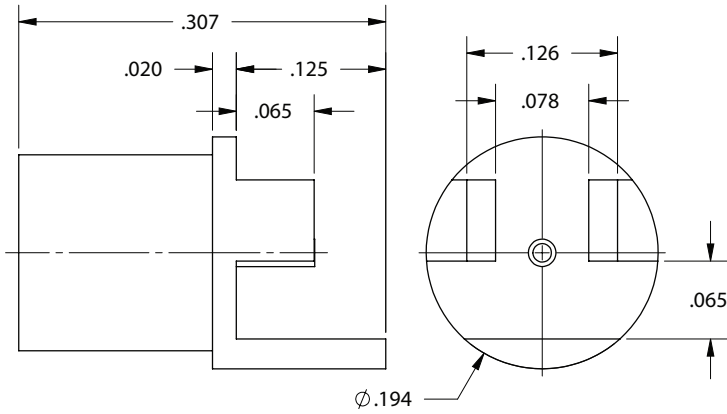
Male Right Angle Body, PCB Mount, 4 Leg, Straight



| Detent | P/N |
|--------|-------------|
| SB | SF1212-6002 |
| LD | SF1212-6001 |
| FD | SF1212-6000 |

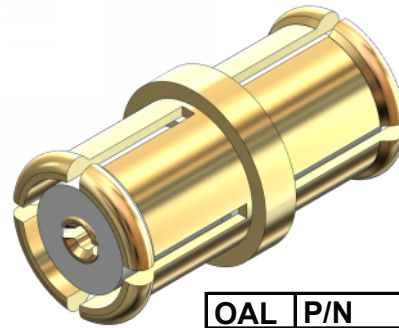
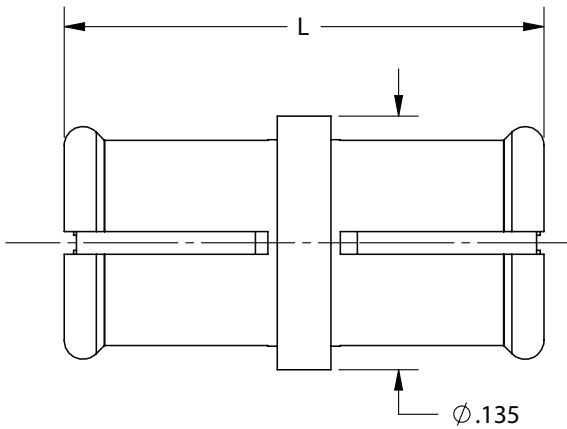
SMP Connectors

Straight Male PCB Edge Mount, .015" Contact



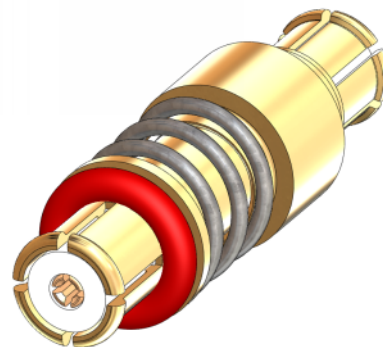
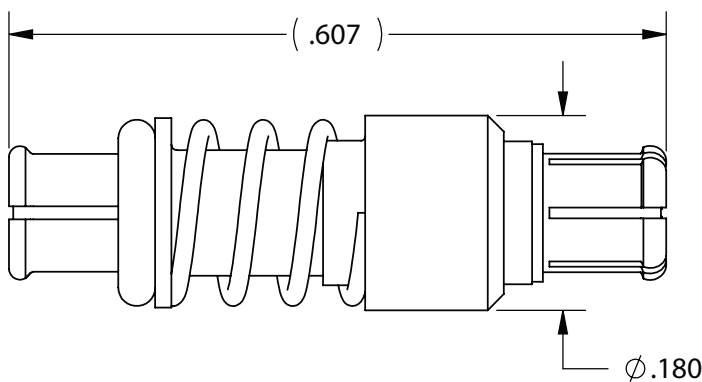
| Detent | P/N |
|--------|-----------|
| SB | 1285-6004 |
| LD | 1285-6003 |
| FD | 1285-6002 |

Female to Female Bullet



| OAL | P/N | DSCC P/N |
|------|-----------|------------|
| .254 | 1290-4008 | 94007ZCG-1 |
| .395 | 1290-4009 | 94007ZCG-2 |
| .769 | 1290-4007 | -- |

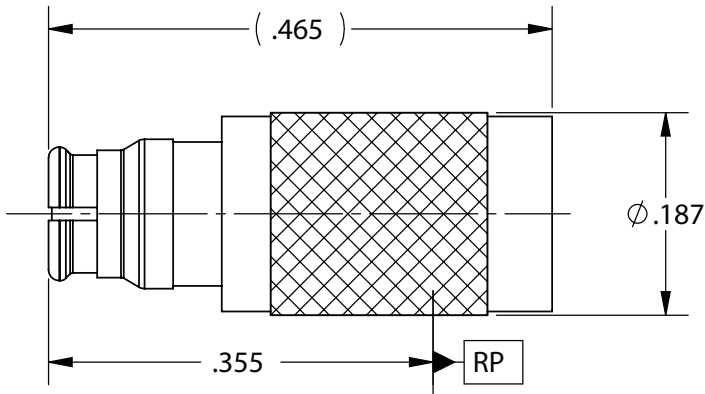
Female to Female Bullet, Spring Loaded



| OAL | P/N |
|------|-----------|
| .604 | 1112-4019 |

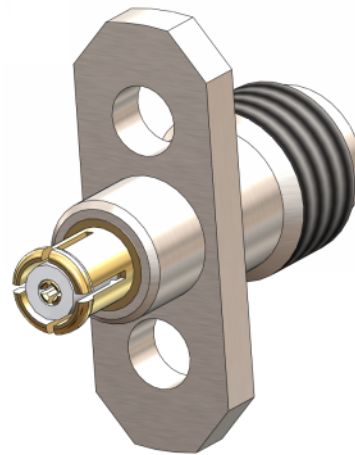
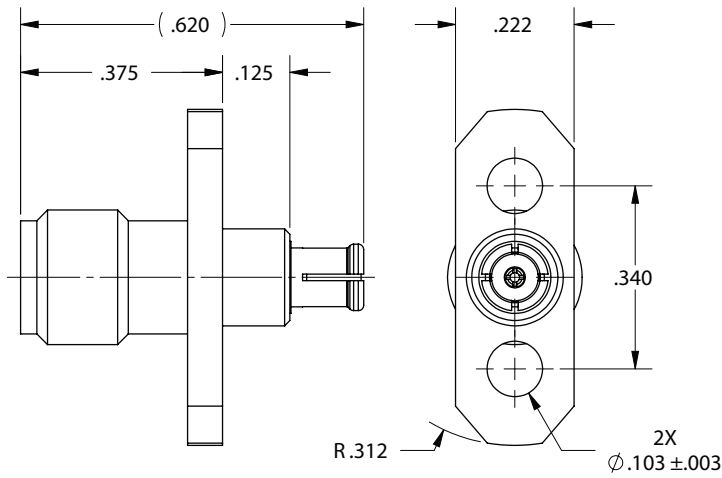
SMP Adapters

Male to Female Adapter



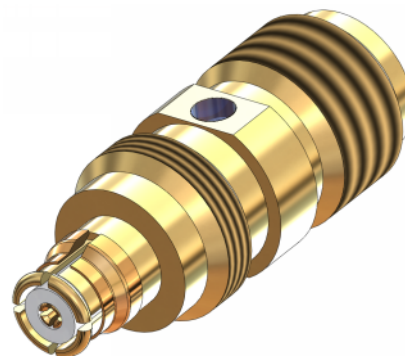
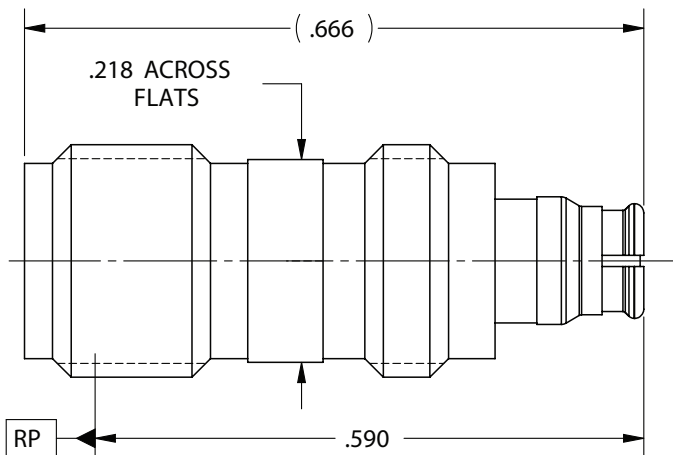
| Detent | P/N |
|--------|-----------|
| FD | 1112-4009 |
| LD | 1112-4011 |
| SB | 1112-4012 |

SMP Female to SMA Female, 2 Hole Flange



| P/N |
|-------------|
| SF1112-6011 |

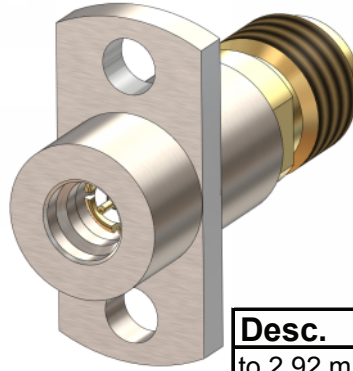
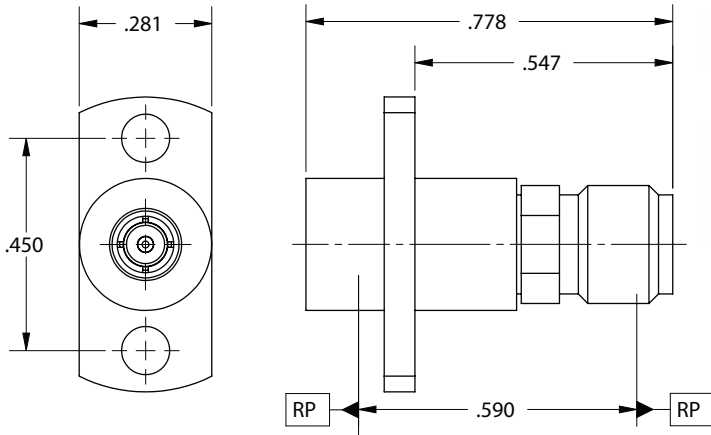
SMP Female to SMA Female, Thread-In



| P/N |
|-----------|
| 1112-4018 |

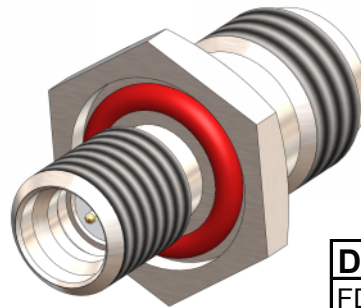
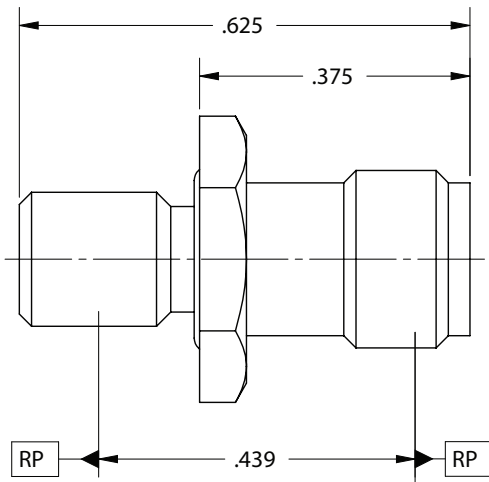
SMP Adapters

SMP Male LD Adapter, 2 Hole Flange Mount



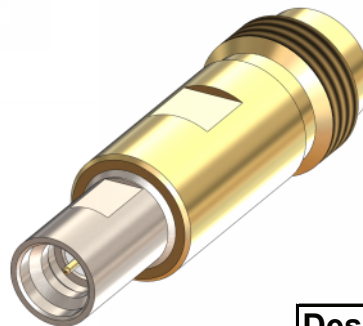
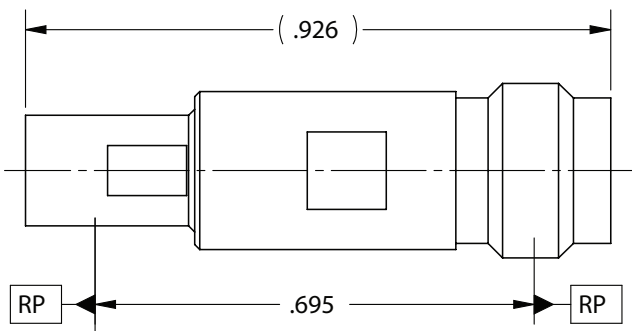
| Desc. | P/N |
|-------------------|-------------|
| to 2.92 mm Female | SF1112-6027 |
| to SMA Female | SF1112-6028 |
| to 3.5 mm Female | SF1112-6029 |

SMP Male to SMA Female, Thread-In Panel Mount



| Detent | P/N |
|--------|-------------|
| FD | SF1112-6036 |
| LD | SF1112-6034 |
| SB | SF1112-6035 |

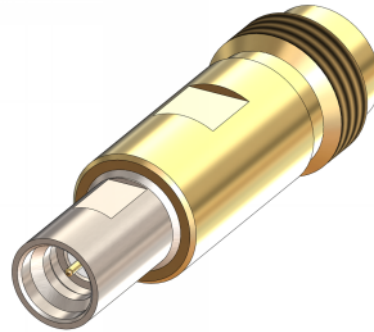
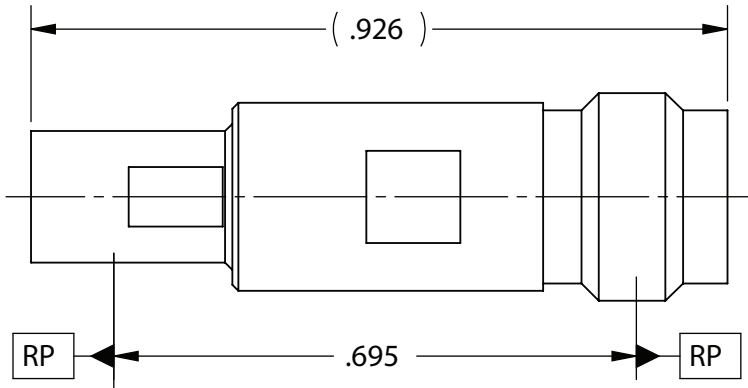
SMP to 2.4mm Female, Adapter



| Desc. | P/N |
|-------------|-----------|
| SMP Male FD | 1116-6014 |
| SMP Female | 1116-6012 |

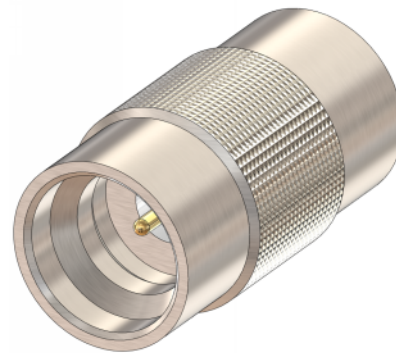
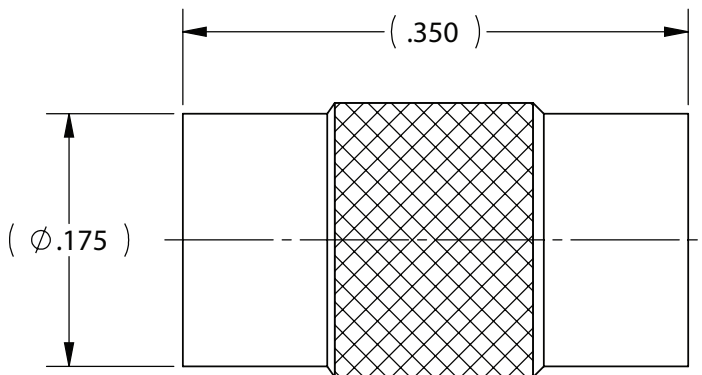
SMP Adapters

SMP Male to 2.92mm Female



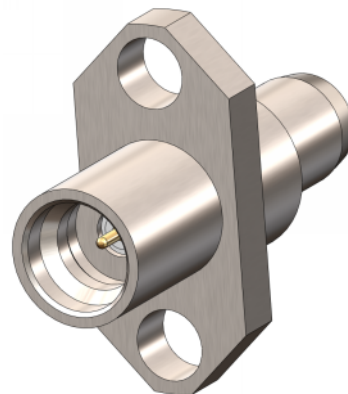
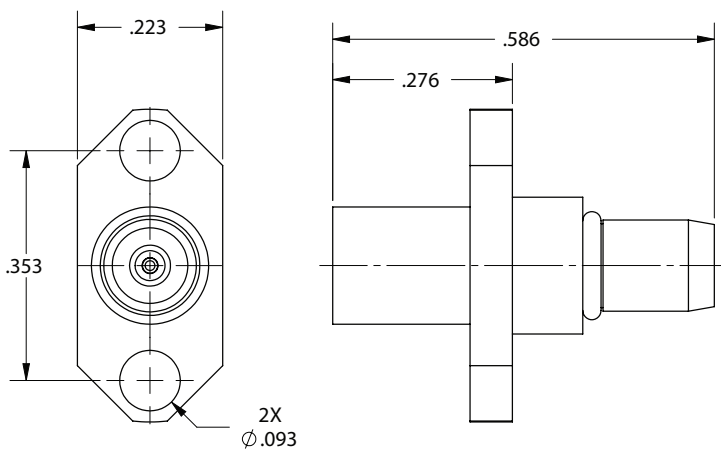
| | |
|---------------|---------------|
| Detent | SV P/N |
| SB | SF1112-6031 |

SMP Male FD to SMPM Male FD



| |
|-------------|
| P/N |
| SF1132-6029 |

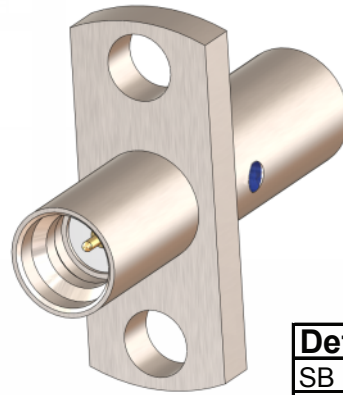
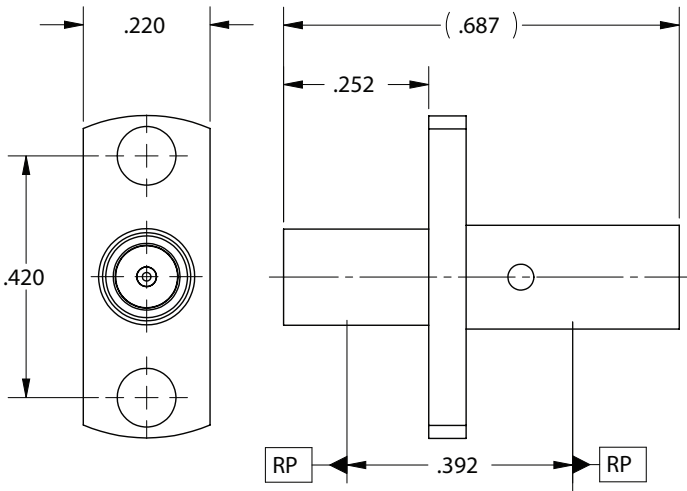
SMP Male FD to BMMA Male, 2 Hole Flange Mount



| |
|-------------|
| P/N |
| SF1114-6013 |

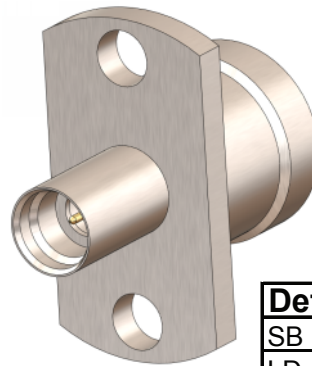
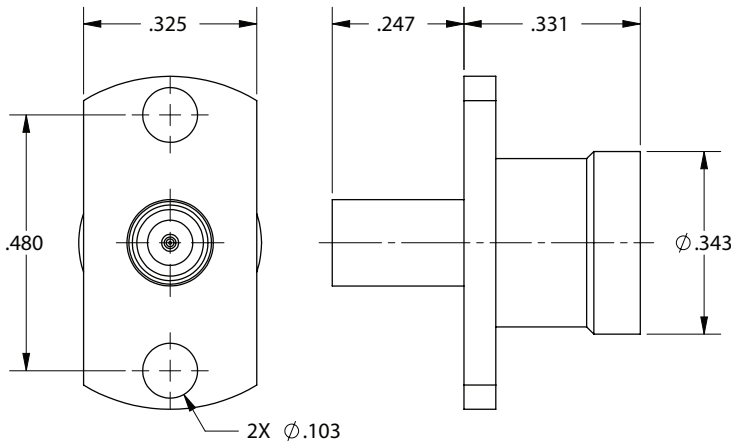
SMP Adapters

SMP Male to BMZ Female, Two Hole Flange



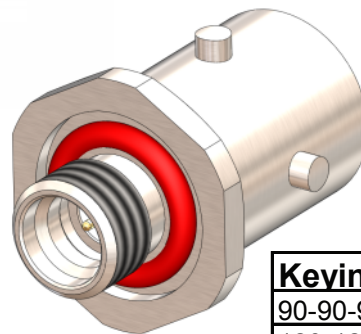
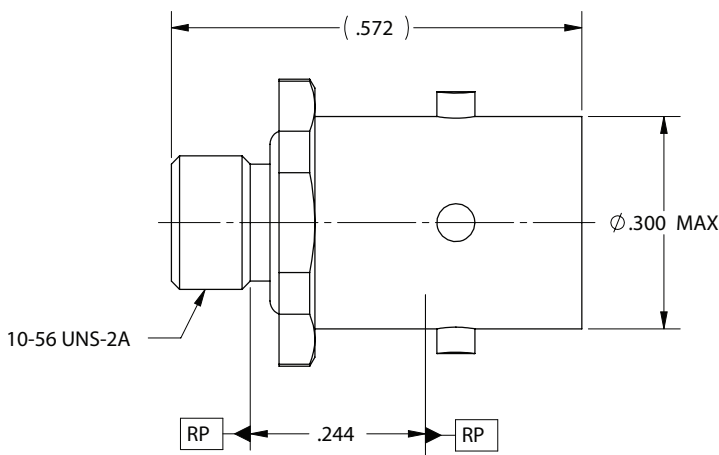
| Detent | P/N |
|--------|-------------|
| SB | SF1112-6010 |
| LD | SF1112-6058 |
| FD | SF1112-6008 |

SMP Male to SVMS Male SB, Two Hole Flange Mount



| Detent | P/N |
|--------|-------------|
| SB | SF1112-6033 |
| LD | SF1112-6059 |
| FD | SF1112-6060 |

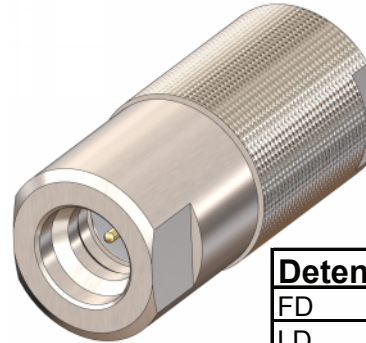
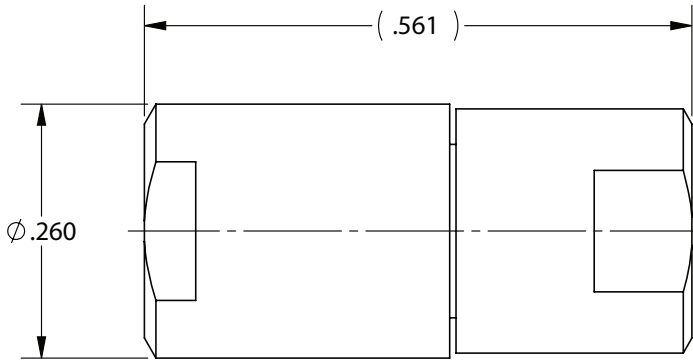
SMP Male LD to ZMA Female, Thread-In



| Keying | P/N |
|-------------|-------------|
| 90-90-90-90 | SF1112-6037 |
| 120-120-120 | SF1112-6038 |
| 110-110-140 | SF1112-6039 |
| 130-130-100 | SF1112-6040 |

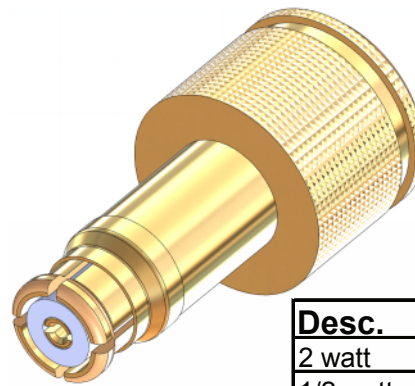
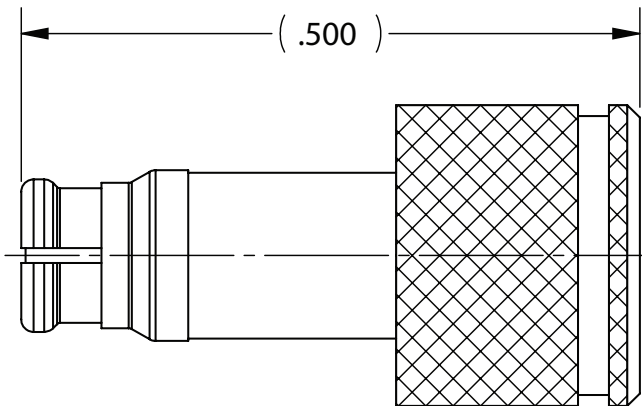
SMP Components

SMP Male Terminations



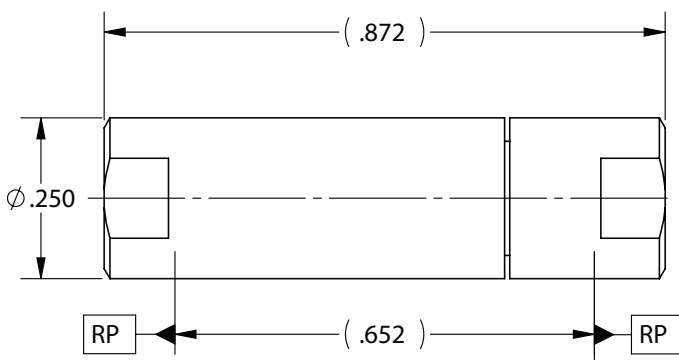
| Detent | P/N |
|--------|-------------|
| FD | SF8012-6009 |
| LD | SF8012-6101 |
| SB | SF8012-6102 |
| CM | SF8012-6103 |

SMP Female Terminations and Short



| Desc. | P/N |
|----------|-----------|
| 2 watt | 8012-4003 |
| 1/2 watt | 8012-4006 |
| Short | 8012-4008 |

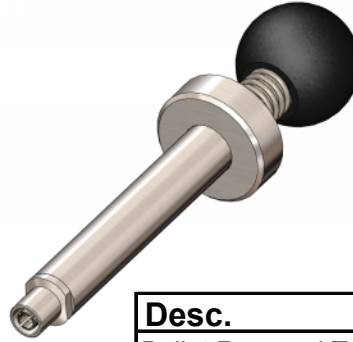
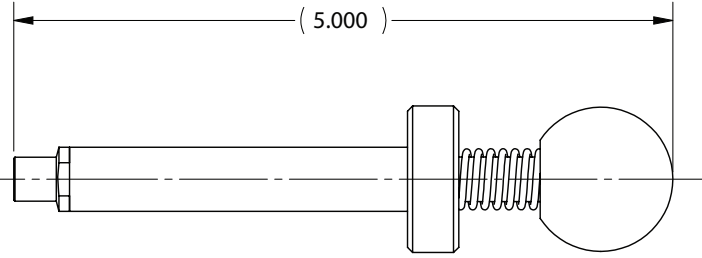
SMP Attenuators



| Desc. | P/N |
|-----------------------|-------------|
| Male to Male, FD | SF0912-6305 |
| Male FD to Female | SF0912-6308 |
| QPL, Male to Male, FD | M3933/27-XX |

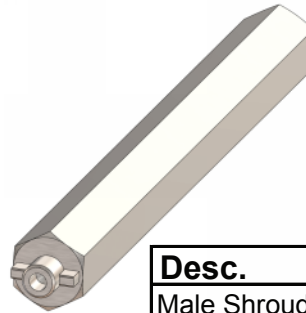
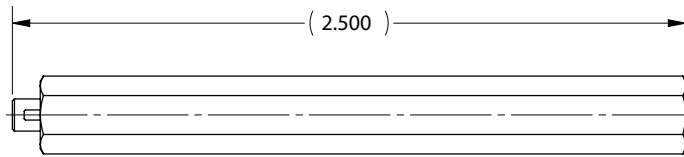
SMP Tools

SMP Removal Tools



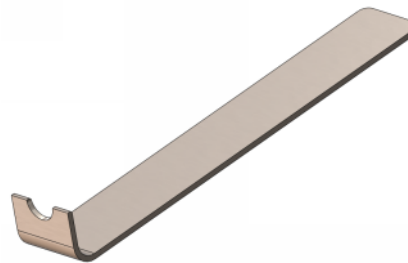
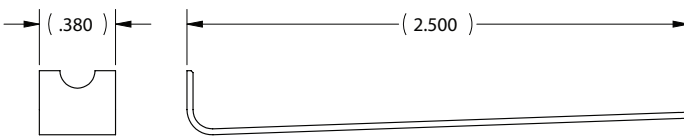
| Desc. | P/N |
|----------------------------|------------|
| Bullet Removal Tool | 500-12-000 |
| Spring Bullet Removal Tool | 500-12-017 |
| Male Panel Removal | 500-12-018 |

SMP Drivers



| Desc. | P/N |
|------------------------|------------|
| Male Shroud Driver, CM | 500-12-014 |
| Male Shroud Driver, SB | 500-12-013 |
| Male Shroud Driver, LD | 500-12-012 |
| Male Shroud Driver, FD | 500-12-011 |

SMP Female Cable Removal Tool



| P/N |
|------------|
| 500-12-019 |



Компания «ЭлектроПласт» предлагает заключение долгосрочных отношений при поставках импортных электронных компонентов на взаимовыгодных условиях!

Наши преимущества:

- Оперативные поставки широкого спектра электронных компонентов отечественного и импортного производства напрямую от производителей и с крупнейших мировых складов;
- Поставка более 17-ти миллионов наименований электронных компонентов;
- Поставка сложных, дефицитных, либо снятых с производства позиций;
- Оперативные сроки поставки под заказ (от 5 рабочих дней);
- Экспресс доставка в любую точку России;
- Техническая поддержка проекта, помощь в подборе аналогов, поставка прототипов;
- Система менеджмента качества сертифицирована по Международному стандарту ISO 9001;
- Лицензия ФСБ на осуществление работ с использованием сведений, составляющих государственную тайну;
- Поставка специализированных компонентов (Xilinx, Altera, Analog Devices, Intersil, Interpoint, Microsemi, Aeroflex, Peregrine, Syfer, Eurofarad, Texas Instrument, Miteq, Cobham, E2V, MA-COM, Hittite, Mini-Circuits, General Dynamics и др.);

Помимо этого, одним из направлений компании «ЭлектроПласт» является направление «Источники питания». Мы предлагаем Вам помощь Конструкторского отдела:

- Подбор оптимального решения, техническое обоснование при выборе компонента;
- Подбор аналогов;
- Консультации по применению компонента;
- Поставка образцов и прототипов;
- Техническая поддержка проекта;
- Защита от снятия компонента с производства.



Как с нами связаться

Телефон: 8 (812) 309 58 32 (многоканальный)

Факс: 8 (812) 320-02-42

Электронная почта: org@eplast1.ru

Адрес: 198099, г. Санкт-Петербург, ул. Калинина, дом 2, корпус 4, литера А.