



## Main

|                               |                           |
|-------------------------------|---------------------------|
| Range of product              | OsiSense XU               |
| Series name                   | Application               |
| Electronic sensor type        | Photo-electric sensor     |
| Sensor name                   | XUPK                      |
| Detection system              | Diffuse<br>Reflex         |
| Emission                      | Infrared                  |
| [Sn] nominal sensing distance | 0.33 ft (0.1 m)<br>0.6 m  |
| Discrete output function      | 1 NO                      |
| Discrete output type          | PNP                       |
| Electrical connection         | 2 female connector : RJ45 |
| Material                      | PC (polycarbonate)        |

## Complementary

|                             |  |
|-----------------------------|--|
| Operating mode              | Daisy chain  |
| Product destination         | XUPH   |
| Topology                    | Manual teaching single chain with power supply<br>XUPH : manual teaching daisy chain<br>XUPH : PLC program daisy chain |
| Device application          | Picking system   |
| Maximum sensing distance    | <= 0.15 m, diffuse infrared with dynamic threshold<br><= 0.6 m, reflex infrared with reflector                         |
| Hysteresis                  | <= 15 %  |
| Output type                 | Solid state PNP (NO)   |
| [Us] rated supply voltage   | 12...24 V  |
| Discrete input voltage      | 12...24 V  |
| Maximum output current      | 100 mA   |
| Voltage drop                | <= 2 V at output   |
| Current consumption         | <= 50 mA, no-load  |
| Delay response              | 200 ms   |
| Delay recovery              | 200 ms   |
| Number of connected devices | 14 daisy chain<br>64   |
| Status LED                  | 2 LED green parts to be taken<br>1 LED red wrong taken   |
| Switching capacity in mA    | 100 mA   |
| Setting-up                  | Without sensitivity adjustment   |
| Overvoltage category        | II   |
| Fixing mode                 | By clamp<br>By screws  |
| Depth                       | 1.3 in (33 mm)   |
| Height                      | 1.57 in (40 mm)  |
| Length                      | 3.62 in (92 mm)  |
| Product weight              | 0.08 lb(US) (0.035 kg)   |

## Environment

|                                       |                                |
|---------------------------------------|--------------------------------|
| product certifications                | CE                             |
| ambient air temperature for operation | 14...140 °F (-10...60 °C)      |
| environmental characteristic          | EMC conforming to EN 60947-5-2 |

The information provided in this documentation contains general descriptions and/or technical characteristics of the performance of the products contained herein. This documentation is not intended as a substitute for and is not to be used for determining suitability or reliability of these products for specific user applications. It is the duty of any such user or integrator to perform the appropriate and complete risk analysis, evaluation and testing of the products with respect to the relevant specific application or use thereof. Neither Schneider Electric Industries SAS nor any of its affiliates or subsidiaries shall be responsible or liable for misuse of the information contained herein.

## Offer Sustainability

Not Green Premium product

Not Green Premium product

WARNING: This product can expose you to chemicals including:

WARNING: This product can expose you to chemicals including:

Diisononyl phthalate (DINP), which is known to the State of California to cause cancer, and

Diisononyl phthalate (DINP), which is known to the State of California to cause cancer, and

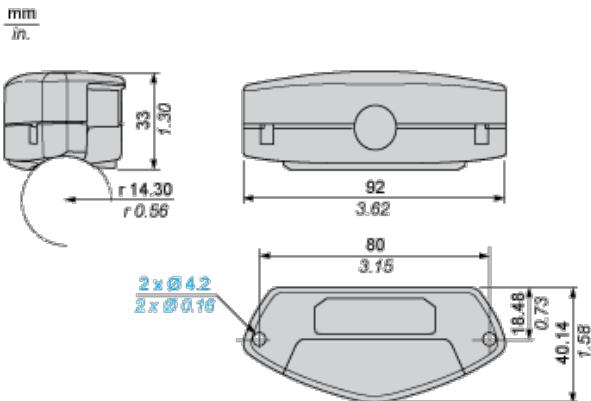
Di-isodecyl phthalate (DIDP), which is known to the State of California to cause birth defects or other reproductive harm.

Di-isodecyl phthalate (DIDP), which is known to the State of California to cause birth defects or other reproductive harm.

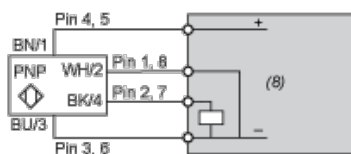
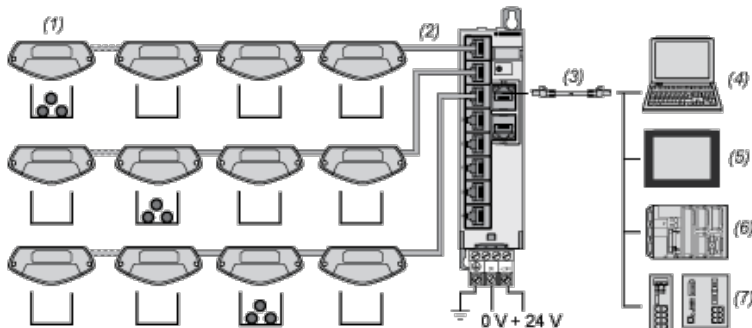
For more information go to [www.p65warnings.ca.gov](http://www.p65warnings.ca.gov)

For more information go to [www.p65warnings.ca.gov](http://www.p65warnings.ca.gov)

## Dimensions



## Control by a PC or PLC through the XUPH Ethernet Modbus TCP - IP Communication Box



(1) Daisy chain of Picking Sensors XUPK2 on the Ethernet Modbus TCP-IP communication box XUPH001

### Daisy Chain

- maximum chain of Picking Sensors in a line = 14 (in the example = 4 Picking Sensors)
- maximum number of lines : 8 (in the example = 3 lines)
- maximum number of Picking Sensors on XUPH Communication box : = 64 (in the example = 12 Picking Sensors)

(2) Cable RJ45/RJ45, straight.

(3) Ethernet Cable RJ45/RJ45, straight.

(4) PC: Personal Computer.

(5) HMI: Human Machine Interface.

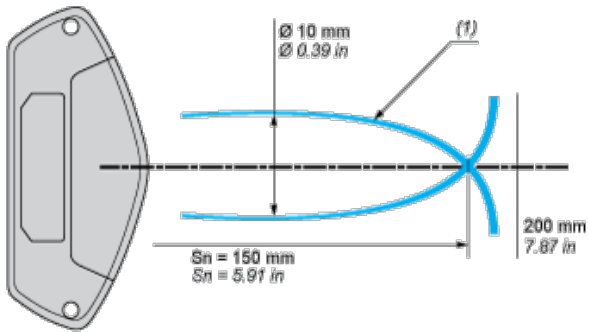
(6) PLC: Programmable Logic Controller.

(7) Ethernet hub or switch.

(8) Communication box

## Detection Curves

### Detection in a 10 mm/0.39 in. Tubular Beam

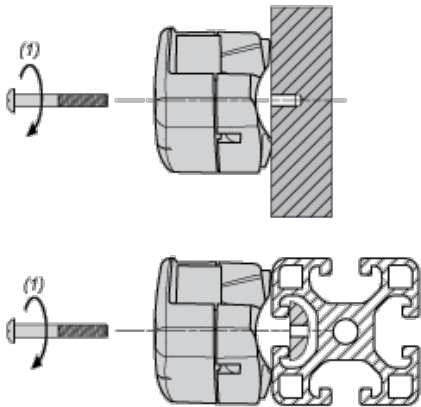


(1) Detection zone

$S_n$  : Sensing distance

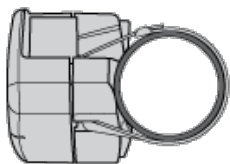
## Mounting

### Mounting on a Flat Panel (Fixation Holes M4)



(1) Maximum tightening torque: 0,8 Nm / 7.08 lb-in.

### Mounting on Tubes (with Plastic Clamps)





Компания «ЭлектроПласт» предлагает заключение долгосрочных отношений при поставках импортных электронных компонентов на взаимовыгодных условиях!

Наши преимущества:

- Оперативные поставки широкого спектра электронных компонентов отечественного и импортного производства напрямую от производителей и с крупнейших мировых складов;
- Поставка более 17-ти миллионов наименований электронных компонентов;
- Поставка сложных, дефицитных, либо снятых с производства позиций;
- Оперативные сроки поставки под заказ (от 5 рабочих дней);
- Экспресс доставка в любую точку России;
- Техническая поддержка проекта, помощь в подборе аналогов, поставка прототипов;
- Система менеджмента качества сертифицирована по Международному стандарту ISO 9001;
- Лицензия ФСБ на осуществление работ с использованием сведений, составляющих государственную тайну;
- Поставка специализированных компонентов (Xilinx, Altera, Analog Devices, Intersil, Interpoint, Microsemi, Aeroflex, Peregrine, Syfer, Eurofarad, Texas Instrument, Miteq, Cobham, E2V, MA-COM, Hittite, Mini-Circuits, General Dynamics и др.);

Помимо этого, одним из направлений компании «ЭлектроПласт» является направление «Источники питания». Мы предлагаем Вам помощь Конструкторского отдела:

- Подбор оптимального решения, техническое обоснование при выборе компонента;
- Подбор аналогов;
- Консультации по применению компонента;
- Поставка образцов и прототипов;
- Техническая поддержка проекта;
- Защита от снятия компонента с производства.



#### Как с нами связаться

**Телефон:** 8 (812) 309 58 32 (многоканальный)

**Факс:** 8 (812) 320-02-42

**Электронная почта:** [org@eplast1.ru](mailto:org@eplast1.ru)

**Адрес:** 198099, г. Санкт-Петербург, ул. Калинина, дом 2, корпус 4, литера А.