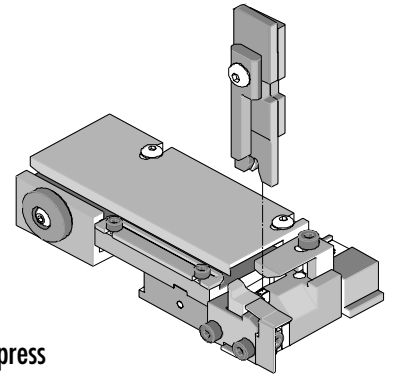




T2 Terminator Tooling Specification Sheet Part No. 63853-3000



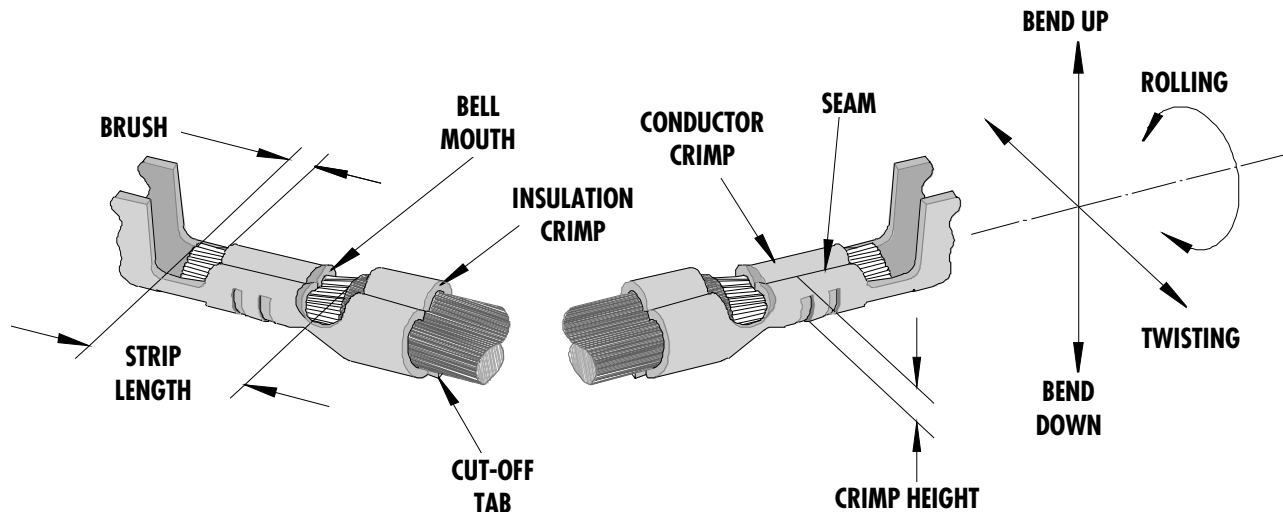
FEATURES

- This terminator can be installed in the TM42 and the TM40 press or Base Unit adapter for 3BF press
- It is ideally suited for mid-volume bench operations
- Quick punch removal with the push of a button for fast and easy tooling change
- Track adjustment capabilities in the T2 Terminators for improved control of the bell mouth size and cutoff tab length
- T2 Terminator has standardized tooling with the Molex FineAdjust Applicator which will reduce your inventory requirements

SCOPE

Terminal Series No.	Wire Size		Insulation Diameter		Strip Length	
	AWG	mm ²	mm	In.	mm	In.
36535-000*	14	2.00	3.30-5.10	.130-.200	4.00-4.70	.157-.185
36535-000*	16	1.30	3.30-5.10	.130-.200	4.00-4.70	.157-.185
36535-000*	2 - 18	(2) 0.80	(2 X) 2.03-2.84	(2 X) .080-.112	4.00-4.70	.157-.185
36536-000*	14	2.00	3.30-5.10	.130-.200	4.00-4.70	.157-.185
36536-000*	16	1.30	3.30-5.10	.130-.200	4.00-4.70	.157-.185
36536-000*	2 - 18	(2) 0.80	(2 X) 2.03-2.84	(2 X) .080-.112	4.00-4.70	.157-.185

DEFINITION OF TERMS



The above terminal drawing is a generic terminal representation. It is not an image of a terminal listed in the scope.

CRIMP SPECIFICATION

Terminal Series No.	Bell mouth		Cut-off Tab Max.		Conductor Brush	
	mm	In.	mm	In.	mm	In.
36535-000*	0.25-0.65	.010-.025	0.30	.012	0.38-0.69	.015-.027
36536-000*	0.25-0.65	.010-.025	0.30	.012	0.38-0.69	.015-.027

Terminal Series No.	Bend up Bend down		Twist Roll		Punch Width mm (Ref)				Seam Seam shall not be open and no wire allowed out of the crimping area
	Degree		Degree		Conductor		Insulation		
					mm	In	mm	In	
36535-000*	3	3	4	8	2.60	.102	4.80	.189	
36536-000*	3	3	4	8	2.60	.102	4.80	.189	

After crimping, the conductor profile should measure the following.

Terminal Series No.	Wire Size		Crimp Height		Pull Force Min.	
	AWG	mm ²	mm	In.	N	Lb.
36535-000*	14	2.00	1.57-1.67	.062-.066	222.4	50
36535-000*	16	1.30	1.38-1.48	.054-.058	133.4	30
36535-000*	2 - 18	(2) 0.80	1.52-1.60	.060-.063	88.9	20
36536-000*	14	2.00	1.57-1.67	.062-.066	222.4	50
36536-000*	16	1.30	1.38-1.48	.054-.058	133.4	30
36536-000*	2 - 18	(2) 0.80	1.52-1.60	.060-.063	88.9	20

Pull Force should be measured with no influence from the insulation crimp.

The above specifications are guidelines to an optimum crimp.

PARTS LIST

Item	Order No	Engineering No.	Description	Quantity
	63853-3000	63853-3000	T2 Terminator (Fig. 1)	REF
1	63444-2609	63444-2609	Conductor Punch	Y
2	63445-2659	63445-2659	Conductor Anvil	Y
3	63446-4805	63446-4805	Insulation Punch	Y
4	63445-4830	63445-4830	Insulation Anvil	Y
5	63443-0003	63443-0003	Cut-Off Plunger	Y
6	63443-0012	63443-0012	Front Plunger Retainer	Y
7	11-18-4083	60707-8	Front Cover	1
8	11-24-1067	4996-4	Cut-off Plunger Spring	1
9	11-40-0124	TM40-25	Feed Finger (Short)	1 (Fig. 2)
10	63443-0009	63443-0009	Scrape Chute	1
11	63443-0021	63443-0021	Lower Tooling Key	1
12	63443-2415	63443-2415	Anvil Mount	1
13	11-40-4039	8302-5	Front Plunger Striker	1
14	63443-4006	63443-4006	Wire Stop	1
15	63443-6011	63443-6011	Rear Cover	1
16	63800-8500	63800-8500	T2 Terminator	1
17	63860-2015	63860-2015	*Drag Frame (Modified)	1
18	N/A	N/A	M3 by 6Lg. SHCS	2**
19	N/A	N/A	M4 by 6Lg. SHCS	1**
20	N/A	N/A	M4 by 10Lg. BHCS	2**
21	N/A	N/A	M4 by 20Lg. SHCS	1**
22	N/A	N/A	M4 by 50Lg. SHCS	1**
23	N/A	N/A	M4 by 16Lg. SHCS	1**
24	N/A	N/A	3MM by 6Lg. Roll Pin	1**
25	N/A	N/A	#10-32 by 1/4"Lg. BHCS	1**
	63853-3070	63853-3070	Tool Kit (All Y Items)	1

* Frame Part - To be modified

** The following purchased parts are available from an Industrial supply company such as MSC (1-800-645-7270).

Assembly Drawing

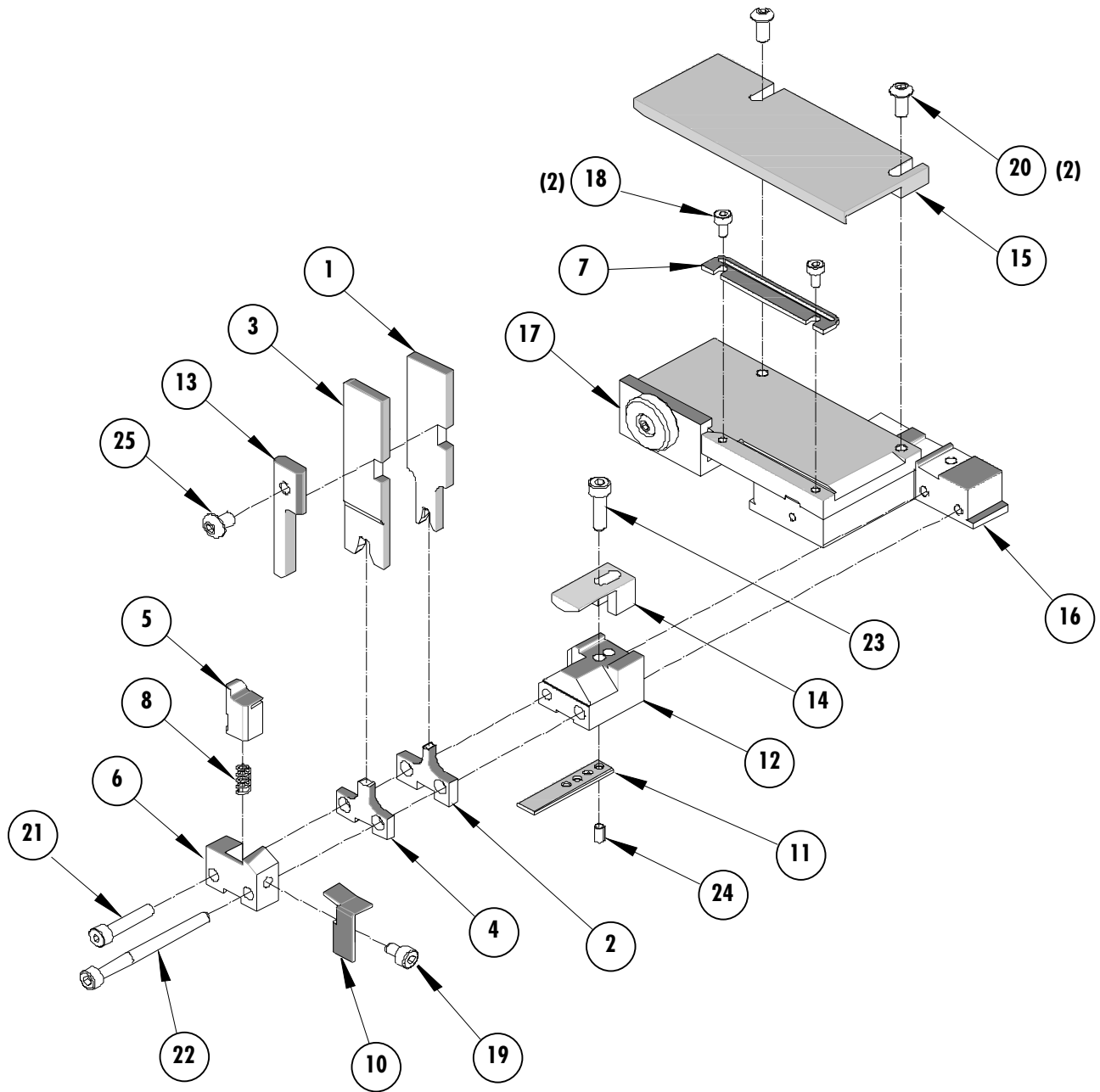


Figure 1

NOTES

Depending on the press vintage a feed finger assembly is supplied with the T2 Terminator.

1. To remove the existing feed finger assembly loosens the M4 x 10 mm set screw in the feed lever.
2. Select T2 Feed finger assembly from Terminator box.
3. Insert a screwdriver into the slot behind the feed lever and force the feed arm spring to the right.
4. Slide the T2 feed finger shaft for TM42 (11-40-5307) or (11-40-0123) for TM40 /Base Unit into the feed lever and to the left of the feed arm spring.
5. Release the feed arm spring.
6. Position feed finger for selected product. (Refer to Figure 5.1 in the T2 Manual).

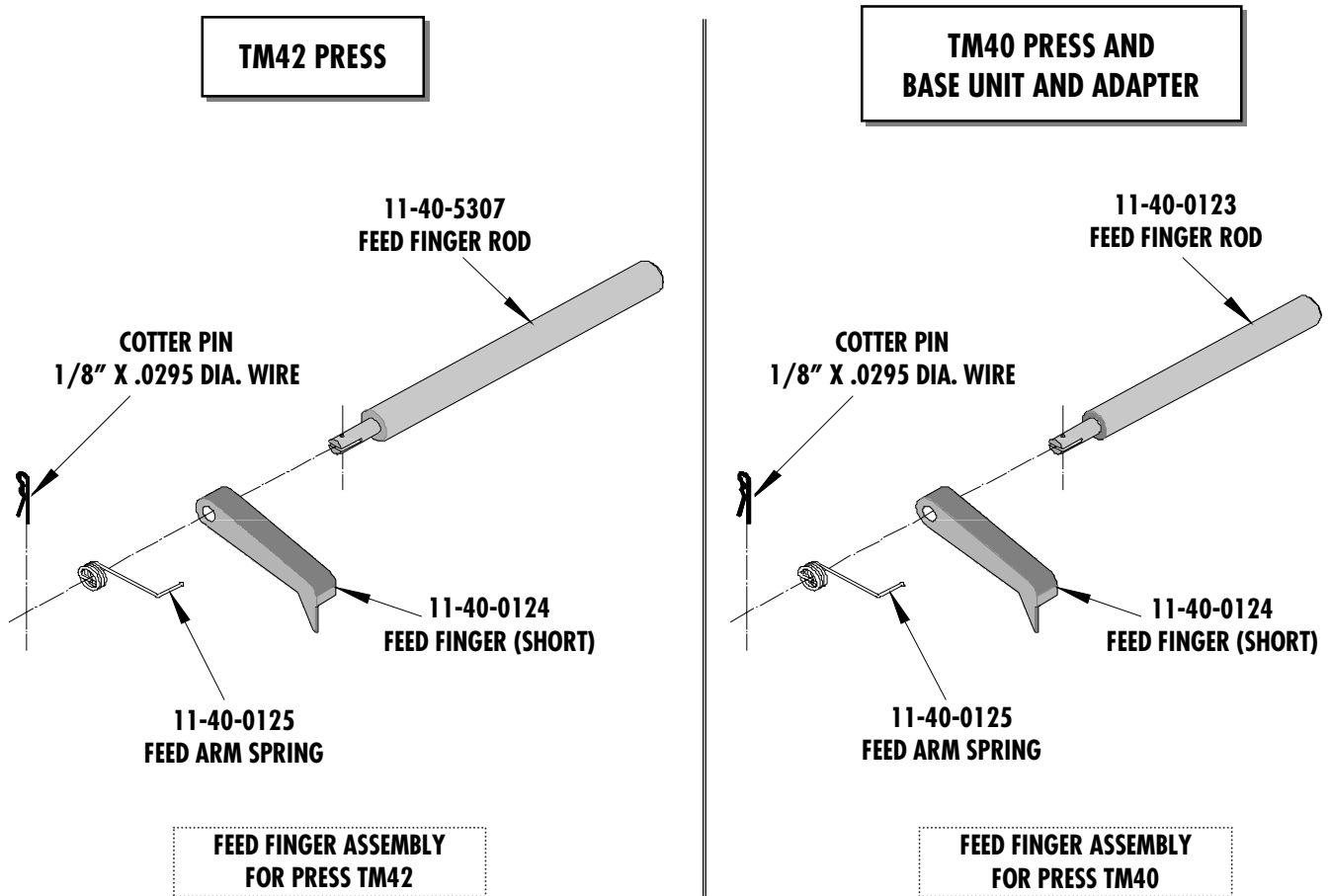


Figure 2

NOTES

1. Molex recommends an extra perishable tooling kit be maintained at your facility.
2. Verify tooling alignment by manually cycling the press before crimping under power. Check that all screws are tight.
3. Slugs, Terminals, Dirt and Oil should be kept clear of work area.
4. This Terminator should be only used in a Molex TM42, TM40, or 3BF Press with a Base Unit adaptor.
5. Wear safety glasses at all times.
6. For recommended maintenance refer to the TM40, TM42 Manual.

CAUTION: To prevent injury never operate this Terminator without the guards supplied with the press or in place. Reference the TM42 press manufacturer's instruction manual.

CAUTION: Molex crimp specifications are valid only when used with Molex terminals, applicators and tooling.

Molex Application Tooling Group

1150 E. Diehl Road
Naperville, IL 60563
Tel: (630) 969-4550
Fax: (630) 505-0049

Visit our Web site at <http://www.molex.com>



Компания «ЭлектроПласт» предлагает заключение долгосрочных отношений при поставках импортных электронных компонентов на взаимовыгодных условиях!

Наши преимущества:

- Оперативные поставки широкого спектра электронных компонентов отечественного и импортного производства напрямую от производителей и с крупнейших мировых складов;
- Поставка более 17-ти миллионов наименований электронных компонентов;
- Поставка сложных, дефицитных, либо снятых с производства позиций;
- Оперативные сроки поставки под заказ (от 5 рабочих дней);
- Экспресс доставка в любую точку России;
- Техническая поддержка проекта, помощь в подборе аналогов, поставка прототипов;
- Система менеджмента качества сертифицирована по Международному стандарту ISO 9001;
- Лицензия ФСБ на осуществление работ с использованием сведений, составляющих государственную тайну;
- Поставка специализированных компонентов (Xilinx, Altera, Analog Devices, Intersil, Interpoint, Microsemi, Aeroflex, Peregrine, Syfer, Eurofarad, Texas Instrument, Miteq, Cobham, E2V, MA-COM, Hittite, Mini-Circuits, General Dynamics и др.);

Помимо этого, одним из направлений компании «ЭлектроПласт» является направление «Источники питания». Мы предлагаем Вам помощь Конструкторского отдела:

- Подбор оптимального решения, техническое обоснование при выборе компонента;
- Подбор аналогов;
- Консультации по применению компонента;
- Поставка образцов и прототипов;
- Техническая поддержка проекта;
- Защита от снятия компонента с производства.



Как с нами связаться

Телефон: 8 (812) 309 58 32 (многоканальный)

Факс: 8 (812) 320-02-42

Электронная почта: org@eplast1.ru

Адрес: 198099, г. Санкт-Петербург, ул. Калинина, дом 2, корпус 4, литера А.