

Hermetically Sealed Threaded Case Filters

This series of filters features hermetic glass seals and high EMI filtering performance. They are excellent for critical applications that demand high reliability in the toughest environmental conditions and provide broadband high performance EMI filtering from 10 KHz to over 10 GHz.

Features

- Popular .375", .410" and .690" case diameters
- Voltage ratings from 50 VDC to 400 VDC/240 VAC, 400 Hz
- Filter configurations available: C, L, Pi, T and double T
- MIL-F-15733 and MIL-F-28861 QPL filters available



Low Pass Filters

Thread length: A - 0.187 (4.76) B - 0.312 (7.92)

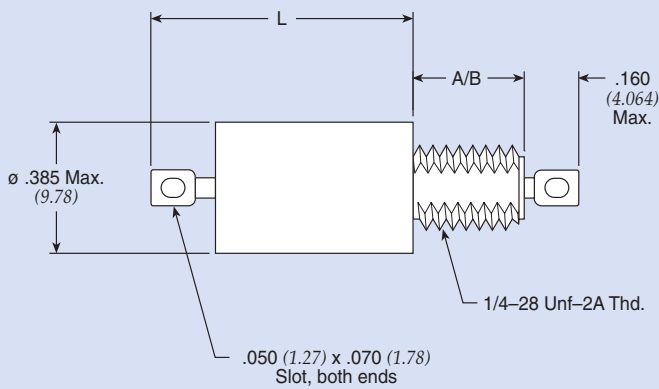


Figure 1

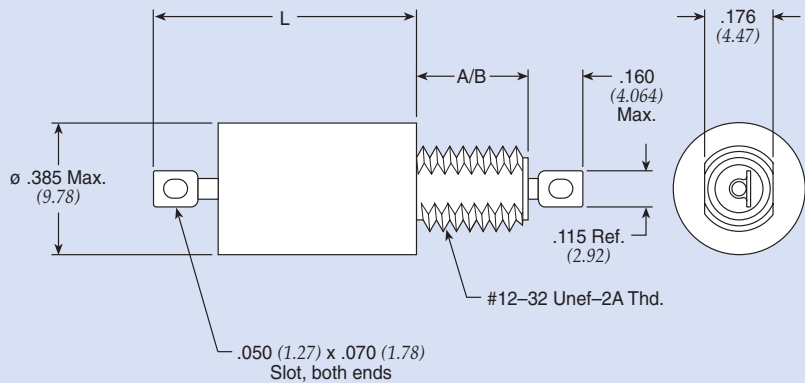


Figure 2

Dimensions in inches (mm)

Note: ø .410 Max. for M28861 parts

Hermetically Sealed Threaded Case Filters

.375 ø C Circuit Standard

| Part Number | MIL No | See Pg. 84 for Fig. | Rated Voltage | | | | I Amp | Min Cap µF | DCR Max Ohms | Max L | | Thd Lgth | Minimum Insertion Loss (dB) | | | | | | |
|-----------------|--------|---------------------|---------------|----|-------|-----|-------|------------|--------------|-------|----------|----------|-----------------------------|-----|-----|-----|-----|-----|-----|
| | | | 85°C | | 125°C | | | | | In | (mm) | | 30 | 150 | 300 | 1 | 10 | 100 | 1 |
| | | | DC | AC | DC | AC | | | | | | | KHz | KHz | KHz | MHz | MHz | MHz | GHz |
| † 54-367-008 | — | 1 | 80 | — | 50 | — | 15 | 1.400 | 0.005 | 0.387 | (9.830) | A | 15 | 28 | 33 | 44 | 60 | 70 | 70 |
| 54-370-007 | — | 1 | 80 | — | 50 | — | 15 | 2.800 | 0.005 | 0.576 | (14.630) | A | 20 | 34 | 39 | 50 | 60 | 70 | 70 |
| 54-371-001 | — | 1 | 80 | — | 50 | — | 15 | 4.000 | 0.005 | 0.688 | (17.475) | A | 26 | 40 | 46 | 55 | 60 | 70 | 70 |
| 54-367-005 | — | 1 | 150 | — | 100 | — | 15 | 0.450 | 0.005 | 0.387 | (9.830) | A | 6 | 19 | 25 | 36 | 55 | 70 | 70 |
| † 9920-100-6002 | — | 1 | 200 | — | 150 | 125 | 15 | 0.150 | 0.005 | 0.387 | (9.830) | A | — | 6 | 15 | 26 | 42 | 55 | 70 |
| 54-367-007 | — | 1 | 250 | — | 200 | 125 | 15 | 0.015 | 0.005 | 0.387 | (9.830) | A | — | — | — | 6 | 25 | 45 | 50 |
| † 54-367-006 | — | 1 | 250 | — | 200 | 125 | 15 | 0.250 | 0.005 | 0.387 | (9.830) | A | — | 14 | 19 | 30 | 50 | 65 | 70 |
| 54-370-006 | — | 1 | 250 | — | 200 | 125 | 15 | 0.500 | 0.005 | 0.630 | (16.002) | A | 7 | 20 | 28 | 39 | 55 | 70 | 70 |
| 9923-100-6004 | — | 1 | 400 | — | 400 | 240 | 15 | 0.060 | 0.005 | 0.415 | (10.541) | A | — | 5 | 10 | 18 | 38 | 55 | 70 |

.375 ø C Circuit MIL Qualified (See MIL index on page 244-246 for complete MIL part number listing)

| Part Number | M15733 M28861 MIL No | See Pg. 84 for Fig. | Rated Voltage | | | | I Amp | Min Cap µF | DCR Max Ohms | Max L | | Thd Lgth | Minimum Insertion Loss (dB) | | | | | | |
|-------------|----------------------|---------------------|---------------|----|-------|-----|-------|------------|--------------|-------|----------|----------|-----------------------------|-----|-----|-----|-----|-----|-----|
| | | | 85°C | | 125°C | | | | | In | (mm) | | 30 | 150 | 300 | 1 | 10 | 100 | 1 |
| | | | DC | AC | DC | AC | | | | | | | KHz | KHz | KHz | MHz | MHz | MHz | GHz |
| 54-367-054 | 1-012 | 1 | — | — | 50 | — | 15 | 1.200 | 0.008 | 0.410 | (10.414) | B | 15 | 28 | 33 | 40 | 40 | 70 | 70 |
| 54-367-049 | 1-002 | 1 | — | — | 50 | — | 15 | 1.200 | 0.008 | 0.410 | (10.414) | A | 15 | 28 | 33 | 40 | 40 | 70 | 70 |
| 54-370-032 | 49-0008 | 1 | — | — | 50 | — | 15 | 2.100 | 0.010 | 0.576 | (14.630) | A | 20 | 33 | 40 | 50 | 65 | 70 | 70 |
| 54-367-055 | 1-014 | 1 | — | — | 70 | — | 15 | 0.700 | 0.008 | 0.410 | (10.414) | B | 10 | 24 | 30 | 40 | 40 | 64 | 70 |
| 54-370-030 | 34-0035 | 2 | — | — | 100 | — | 10 | 0.300 | 0.004 | 0.474 | (12.040) | A | 7 | 19 | 25 | 35 | 55 | 70 | 70 |
| 54-367-051 | 1-006 | 1 | — | — | 100 | — | 15 | 0.450 | 0.008 | 0.410 | (10.414) | A | 6 | 19 | 25 | 36 | 40 | 60 | 70 |
| 54-367-056 | 1-016 | 1 | — | — | 100 | — | 15 | 0.450 | 0.008 | 0.410 | (10.414) | B | 6 | 19 | 25 | 36 | 40 | 60 | 70 |
| 54-367-057 | 1-018 | 1 | — | — | 150 | — | 15 | 0.250 | 0.008 | 0.410 | (10.414) | B | — | 14 | 20 | 31 | 40 | 56 | 70 |
| 54-367-053 | 1-010 | 1 | — | — | 200 | 125 | 15 | 0.150 | 0.008 | 0.410 | (10.414) | A | — | 10 | 16 | 26 | 40 | 52 | 70 |
| 54-367-058 | 1-020 | 1 | — | — | 200 | 125 | 15 | 0.150 | 0.008 | 0.410 | (10.414) | B | — | 10 | 16 | 26 | 40 | 52 | 70 |
| 54-370-034 | 49-0010 | 1 | — | — | 330 | — | 15 | 0.062 | 0.004 | 0.680 | (17.272) | A | — | 2 | 7 | 17 | 37 | 55 | 70 |

† Also available through Spectrum Control's authorized distributors.

Hermetically Sealed Threaded Case Filters

L-C Filter LT



L-C Filter LB



.375 ø L Circuit

Thread length: A - 0.187 (4.76) B - 0.312 (7.92)



Figure 1

Note: ø .410 Max. for M28861 parts



Figure 3

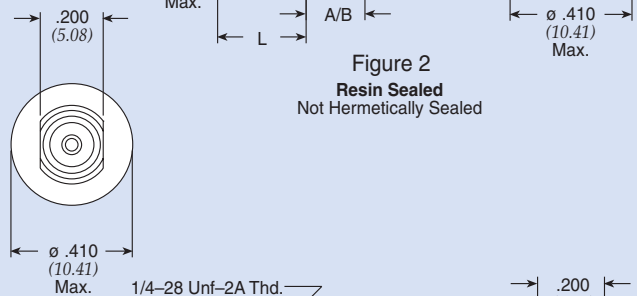


Figure 2
Resin Sealed
Not Hermetically Sealed



Figure 4



Figure 5

Dimensions in inches (mm)

.375 ø L Standard Low Profile

| Part Number | MIL No | Figure | Rated Voltage | | | | I Amp | Min Cap µF | DCR Max Ohms | CKT | Max L In | Max L (mm) | Thd Lgth | Minimum Insertion Loss (dB) | | | | | | |
|-----------------|--------|------------------|---------------|----|----|----|-------|------------|--------------|-----|----------|------------|----------|-----------------------------|---------|---------|-------|--------|---------|-------|
| | | | DC | AC | DC | AC | | | | | | | | 30 KHz | 150 KHz | 300 KHz | 1 MHz | 10 MHz | 100 MHz | 1 GHz |
| † 9051-100-0000 | — | 1 | 80 | — | 50 | — | 15 | 1.200 | 0.005 | LB | 0.370 | (9.398) | A | 15 | 25 | 34 | 44 | 60 | 70 | 70 |
| † 51-359-001 € | — | 1 | 80 | — | 50 | — | 15 | 1.400 | 0.005 | LB | 0.370 | (9.398) | A | 15 | 28 | 33 | 44 | 60 | 70 | 70 |
| SCI-1021-000 | — | 2* | 80 | — | 50 | — | 15 | 1.400 | 0.003 | LB | 0.280 | (7.112) | A | 15 | 28 | 33 | 44 | 60 | 70 | 70 |
| † 9053-100-0001 | — | 1 | 80 | — | 50 | — | 15 | 1.400 | 0.005 | LB | 0.370 | (9.398) | A | 15 | 25 | 34 | 44 | 60 | 70 | 70 |
| † 51-717-001 € | — | 2* | 80 | — | 50 | — | 15 | 1.400 | 0.005 | LB | 0.325 | (8.255) | A | 15 | 28 | 33 | 44 | 60 | 70 | 70 |
| 51-344-006 | — | 4 | 80 | — | 50 | — | 15 | 1.400 | 0.005 | LB | 0.330 | (8.382) | A | 15 | 28 | 33 | 44 | 60 | 70 | 70 |
| † SCI-1020-000 | — | 1 | 80 | — | 50 | — | 15 | 1.400 | 0.003 | LB | 0.370 | (9.398) | A | 15 | 28 | 33 | 44 | 60 | 70 | 70 |
| SCI-1021-020 | — | 2 ⁰ * | 80 | — | 50 | — | 15 | 1.400 | 0.003 | LB | 0.280 | (7.112) | B | 15 | 28 | 33 | 44 | 60 | 70 | 70 |
| † SCI-1020-020 | — | 1 | 80 | — | 50 | — | 15 | 1.400 | 0.003 | LB | 0.370 | (9.398) | B | 15 | 28 | 33 | 44 | 60 | 70 | 70 |
| SCI-1150-001 | — | 1 | 80 | — | 50 | — | 15 | 2.800 | 0.003 | LB | 0.450 | (11.430) | B | 20 | 34 | 40 | 49 | 60 | 70 | 70 |
| 9051-101-0018 | — | 5 | 80 | — | 50 | — | 25 | 1.400 | 0.001 | LB | 0.450 | (11.430) | A | 15 | 25 | 34 | 44 | 60 | 70 | 70 |
| † 9053-100-0008 | — | 1 | 100 | — | 70 | — | 15 | 0.700 | 0.005 | LB | 0.370 | (9.398) | A | 9 | 20 | 29 | 39 | 52 | 70 | 70 |

* Part is resin sealed, this is not a hermetic part.

† Also available through Spectrum Control's authorized distributors.

€ Also available through Spectrum Control's authorized European distributors/agents.

◇ Note: 0.462" (11.73mm) length from mounting surface to end of lead — not 0.347" (8.8mm).

Hermetically Sealed Threaded Case Filters

L-C Filter LT



L-C Filter LB



.375 ø L Standard Low Profile *continued*

| Part Number | MIL No | See Pg. 86 for Fig | Rated Voltage | | | | I Amp | Min Cap µF | DCR Max Ohms | CKT | Max L | | Thd Lgth | Minimum Insertion Loss (dB) | | | | | | |
|----------------|--------|--------------------|---------------|-----|-------|-----|-------|------------|--------------|-----|-------|----------|----------|-----------------------------|---------|---------|-------|--------|---------|-------|
| | | | 85°C | | 125°C | | | | | | In | (mm) | | 30 KHz | 150 KHz | 300 KHz | 1 MHz | 10 MHz | 100 MHz | 1 GHz |
| | | | DC | AC | DC | AC | | | | | | | | | | | | | | |
| +9050-100-0008 | — | 2* | 100 | — | 70 | — | 15 | 0.750 | 0.005 | LB | 0.325 | (8.255) | A | 9 | 20 | 29 | 39 | 52 | 70 | 70 |
| +9053-100-0002 | — | 1 | 150 | — | 100 | — | 15 | 0.500 | 0.005 | LB | 0.370 | (9.398) | A | 4 | 12 | 21 | 31 | 48 | 70 | 70 |
| SCI-1250-001 | — | 1 | 150 | — | 100 | — | 15 | 0.500 | 0.003 | LB | 0.450 | (11.430) | B | 8 | 20 | 25 | 34 | 50 | 64 | 70 |
| €SCI-2150-000 | — | 1 | 150 | — | 100 | — | 15 | 1.000 | 0.003 | LB | 0.450 | (11.430) | A | 10 | 25 | 30 | 41 | 56 | 70 | 70 |
| SCI-2150-001 | — | 1 | 150 | — | 100 | — | 15 | 1.000 | 0.003 | LB | 0.450 | (11.430) | B | 10 | 25 | 30 | 41 | 56 | 70 | 70 |
| +51-717-007 | — | 2* | 250 | 125 | 200 | 125 | 15 | 0.015 | 0.005 | LB | 0.325 | (8.255) | A | — | — | — | 6 | 25 | 38 | 45 |
| +51-359-007 | — | 1 | 250 | 125 | 200 | 125 | 15 | 0.015 | 0.005 | LB | 0.370 | (9.398) | A | — | — | — | 6 | 25 | 38 | 50 |
| 9050-100-0011 | — | 2 | 350 | 125 | 300 | 125 | 15 | 0.150 | 0.008 | LB | 0.325 | (8.255) | A | — | 10 | 15 | 25 | 40 | 52 | 60 |
| €SCI-2350-000 | — | 1 | 300 | 125 | 300 | 125 | 15 | 0.250 | 0.003 | LB | 0.450 | (11.430) | A | 4 | 15 | 21 | 31 | 50 | 70 | 70 |
| SCI-2350-001 | — | 1 | 300 | 125 | 300 | 125 | 15 | 0.250 | 0.003 | LB | 0.450 | (11.430) | B | 4 | 15 | 21 | 31 | 50 | 70 | 70 |

* Part is resin sealed, this is not a hermetic part.

.375 ø L Circuit MIL Qualified Low Profile

(See MIL index on page 244-246 for complete MIL part number listing)

| Part Number | M15733 M28861 MIL No | See Pg. 86 for Fig | Rated Voltage | | | | I Amp | Min Cap µF | DCR Max Ohms | CKT | Max L | | Thd Lgth | Minimum Insertion Loss (dB) | | | | | | |
|-------------|----------------------|--------------------|---------------|----|-------|-----|-------|------------|--------------|-----|-------|----------|----------|-----------------------------|---------|---------|-------|--------|---------|-------|
| | | | 85°C | | 125°C | | | | | | In | (mm) | | 30 KHz | 150 KHz | 300 KHz | 1 MHz | 10 MHz | 100 MHz | 1 GHz |
| | | | DC | AC | DC | AC | | | | | | | | | | | | | | |
| +51-359-021 | 38-0004 | 1 | — | — | 50 | — | 10 | 1.400 | 0.008 | LB | 0.370 | (9.398) | A | 15 | 28 | 33 | 44 | 60 | 70 | 70 |
| +51-359-024 | 38-0005 | 1 | 80 | — | 50 | — | 10 | 1.400 | 0.008 | LB | 0.370 | (9.398) | A | 15 | 28 | 33 | 44 | 60 | 70 | 70 |
| +51-359-051 | 58-0001 | 1 | 80 | — | 50 | — | 10 | 1.400 | 0.008 | LB | 0.545 | (13.843) | A | 15 | 28 | 33 | 44 | 60 | 70 | 70 |
| 51-359-105 | 58-0004 | 1 | 80 | — | 50 | — | 10 | 1.400 | 0.008 | LT | 0.545 | (13.843) | B | 15 | 28 | 33 | 44 | 60 | 70 | 70 |
| +51-359-044 | 49-0006 | 1 | 100 | — | 50 | — | 15 | 1.200 | 0.010 | LB | 0.370 | (9.398) | A | 15 | 28 | 33 | 44 | 60 | 70 | 70 |
| +51-359-055 | 49-0007 | 3 | 100 | — | 50 | — | 15 | 1.200 | 0.010 | LB | 0.450 | (11.43) | A | 15 | 28 | 33 | 44 | 60 | 70 | 70 |
| 51-359-081 | 1-001 | 1 | — | — | 50 | — | 15 | 1.400 | 0.008 | LB | 0.410 | (10.414) | A | 15 | 28 | 33 | 40 | 40 | 70 | 70 |
| 51-359-086 | 1-011 | 1 | — | — | 50 | — | 15 | 1.400 | 0.008 | LB | 0.410 | (10.414) | B | 15 | 28 | 33 | 40 | 40 | 70 | 70 |
| +51-359-053 | 49-0001 | 4 | 100 | — | 50 | — | 15 | 0.680 | 0.010 | LB | 0.319 | (8.103) | A | 8 | 20 | 28 | 38 | 55 | 70 | 70 |
| 51-359-082 | 1-003 | 1 | — | — | 70 | — | 15 | 0.700 | 0.008 | LB | 0.410 | (10.414) | A | 10 | 24 | 30 | 40 | 40 | 64 | 70 |
| 51-359-083 | 1-005 | 1 | — | — | 100 | — | 15 | 0.450 | 0.008 | LB | 0.410 | (10.414) | A | 6 | 19 | 25 | 36 | 40 | 60 | 70 |
| 51-359-088 | 1-015 | 1 | — | — | 100 | — | 15 | 0.450 | 0.008 | LB | 0.410 | (10.414) | B | 6 | 19 | 25 | 36 | 40 | 60 | 70 |
| 51-359-084 | 1-007 | 1 | — | — | 150 | — | 15 | 0.250 | 0.008 | LB | 0.410 | (10.414) | A | — | 14 | 20 | 31 | 40 | 56 | 70 |
| 51-359-050 | 38-0008 | 1 | — | — | 200 | 125 | 15 | 0.030 | 0.008 | LB | 0.370 | (9.398) | A | — | — | — | 6 | 25 | 42 | 60 |
| 51-359-085 | 1-009 | 1 | — | — | 200 | 125 | 15 | 0.150 | 0.008 | LB | 0.410 | (10.414) | A | — | 10 | 16 | 26 | 40 | 52 | 70 |
| 51-359-090 | 1-019 | 1 | — | — | 200 | 125 | 15 | 0.150 | 0.008 | LB | 0.410 | (10.414) | B | — | 10 | 16 | 26 | 40 | 52 | 70 |

† Also available through Spectrum Control's authorized distributors.

€ Also available through Spectrum Control's authorized European distributors/agents.

Hermetically Sealed Threaded Case Filters

.375 ø L Circuit



L-C Filter LT



L-C Filter LB



.375 ø L Circuit Standard Product

| Part Number | MIL No | Figure | Rated Voltage | | | | I Amp | Min Cap µF | DCR Max Ohms | CKT | Max L In | L (mm) | Thd Lgth | Minimum Insertion Loss (dB) | | | | | | |
|----------------|--------|--------|---------------|---------|----------|----------|-------|------------|--------------|-----|----------|----------|----------|-----------------------------|---------|---------|-------|--------|---------|-------|
| | | | 85°C DC | 85°C AC | 125°C DC | 125°C AC | | | | | | | | 30 KHz | 150 KHz | 300 KHz | 1 MHz | 10 MHz | 100 MHz | 1 GHz |
| 51-353-007 | — | 1 | 80 | — | 50 | — | 0.06 | 1.400 | 70.000 | LB | 0.770 | (19.558) | A | 44 | 70 | 70 | 70 | 70 | 70 | 70 |
| 51-353-095 | — | 1 | 80 | — | 50 | — | 0.15 | 1.400 | 12.000 | LT | 0.960 | (24.384) | A | 21 | 52 | 64 | 70 | 70 | 70 | 70 |
| 51-353-003 | — | 1 | 80 | — | 50 | — | 0.45 | 1.400 | 1.200 | LB | 0.770 | (19.558) | A | 16 | 31 | 37 | 55 | 70 | 70 | 70 |
| 51-353-099 | — | 1 | 80 | — | 50 | — | 1.00 | 1.400 | 0.250 | LT | 0.770 | (19.558) | A | 16 | 33 | 44 | 70 | 70 | 70 | 70 |
| 51-353-100 | — | 1 | 80 | — | 50 | — | 5.00 | 1.400 | 0.015 | LT | 0.770 | (19.558) | A | 15 | 28 | 33 | 46 | 70 | 70 | 70 |
| †9200-300-0025 | — | 1 | 80 | — | 50 | — | 10.00 | 1.200 | 0.010 | LB | 0.450 | (11.430) | A | 15 | 28 | 33 | 44 | 60 | 70 | 70 |

† Also available through Spectrum Control's authorized distributors.

Hermetically Sealed Threaded Case Filters

L-C Filter LT



L-C Filter LB



.375 ø L Circuit Standard Product *continued*

| Part Number | MIL No | See Pg. 88 for Fig | Rated Voltage | | | | I Amp | Min Cap µF | DCR Max Ohms | CKT | Max L | | Thd Lgth | Minimum Insertion Loss (dB) | | | | | | |
|----------------|--------|--------------------|---------------|----|-------|-----|-------|------------|--------------|-----|-------|----------|----------|-----------------------------|---------|---------|-------|--------|---------|-------|
| | | | 85°C | | 125°C | | | | | | In | (mm) | | 30 KHz | 150 KHz | 300 KHz | 1 MHz | 10 MHz | 100 MHz | 1 GHz |
| | | | DC | AC | DC | AC | | | | | | | | | | | | | | |
| †9200-303-0095 | — | 1 | 80 | — | 50 | — | 10.00 | 1.200 | 0.010 | LB | 0.450 | (11.430) | B | 15 | 28 | 33 | 44 | 60 | 70 | 70 |
| 51-353-101 | — | 1 | 80 | — | 50 | — | 10.00 | 1.400 | 0.010 | LT | 0.450 | (11.430) | A | 14 | 28 | 33 | 44 | 60 | 70 | 70 |
| 51-353-109 | — | 1 | 80 | — | 50 | — | 10.00 | 1.400 | 0.010 | LT | 0.450 | (11.430) | B | 15 | 28 | 33 | 44 | 60 | 70 | 70 |
| 51-353-120 | — | 1 | 150 | — | 100 | — | 1.00 | 0.750 | 0.250 | LB | 0.758 | (19.253) | A | 9 | 27 | 36 | 57 | 70 | 70 | 70 |
| 9000-103-0019 | — | 1 | 150 | — | 100 | — | 5.00 | 0.450 | 0.015 | LT | 0.758 | (19.253) | B | 6 | 20 | 26 | 37 | 68 | 70 | 70 |
| SCI-2120-014 | — | 1 | 150 | — | 100 | — | 10.00 | 1.000 | 0.003 | LB | 0.450 | (11.430) | B | 14 | 28 | 34 | 44 | 52 | 70 | 70 |
| 51-353-110 | — | 1 | 250 | — | 200 | 125 | 1.00 | 0.250 | 0.250 | LT | 0.758 | (19.253) | A | — | 17 | 29 | 50 | 70 | 70 | 70 |
| †51-353-111 | — | 1 | 250 | — | 200 | 125 | 1.00 | 0.250 | 0.250 | LB | 0.758 | (19.253) | A | — | 17 | 29 | 50 | 70 | 70 | 70 |
| 51-353-112 | — | 1 | 250 | — | 200 | 125 | 3.00 | 0.250 | 0.050 | LT | 0.758 | (19.253) | A | — | 13 | 20 | 35 | 70 | 70 | 70 |
| †51-353-113 | — | 1 | 250 | — | 200 | 125 | 3.00 | 0.250 | 0.050 | LB | 0.758 | (19.253) | A | — | 13 | 20 | 35 | 70 | 70 | 70 |
| 51-353-114 | — | 1 | 250 | — | 200 | 125 | 5.00 | 0.250 | 0.015 | LT | 0.758 | (19.253) | A | — | 12 | 20 | 30 | 62 | 70 | 70 |
| 51-353-116 | — | 1 | 250 | — | 200 | 125 | 10.00 | 0.250 | 0.010 | LT | 0.450 | (11.430) | A | — | 15 | 20 | 30 | 50 | 70 | 70 |
| SCI-2320-010 | — | 1 | 300 | — | 300 | 125 | 0.50 | 0.150 | 1.000 | LB | 0.758 | (19.253) | B | — | 23 | 35 | 56 | 70 | 70 | 70 |
| SCI-2320-004 | — | 1 | 300 | — | 300 | 125 | 1.00 | 0.150 | 0.250 | LB | 0.758 | (19.253) | A | — | 10 | 21 | 41 | 70 | 70 | 70 |
| SCI-2320-005 | — | 1 | 300 | — | 300 | 125 | 2.00 | 0.150 | 0.063 | LB | 0.758 | (19.253) | A | — | 8 | 14 | 30 | 70 | 70 | 70 |
| SCI-2320-006 | — | 1 | 300 | — | 300 | 125 | 3.00 | 0.150 | 0.027 | LB | 0.758 | (19.253) | A | — | 8 | 14 | 26 | 64 | 70 | 70 |
| SCI-2320-007 | — | 1 | 300 | — | 300 | 125 | 10.00 | 0.150 | 0.003 | LB | 0.450 | (11.430) | A | — | 8 | 14 | 25 | 45 | 52 | 70 |
| SCI-2320-014 | — | 1 | 300 | — | 300 | 125 | 10.00 | 0.150 | 0.003 | LB | 0.450 | (11.430) | B | — | 8 | 14 | 25 | 45 | 52 | 70 |

Low Pass Filters

.375 ø L Circuit MIL Qualified Profile

(See MIL index on pages 244-246 for complete MIL part number listing)

| Part Number | M15733 MIL No | See Pg. 88 for Fig | Rated Voltage | | | | I Amp | Min Cap µF | DCR Max Ohms | CKT | Max L | | Thd Lgth | Minimum Insertion Loss (dB) | | | | | | |
|-------------|---------------|--------------------|---------------|----|-------|----|-------|------------|--------------|-----|-------|----------|----------|-----------------------------|---------|---------|-------|--------|---------|-------|
| | | | 85°C | | 125°C | | | | | | In | (mm) | | 30 KHz | 150 KHz | 300 KHz | 1 MHz | 10 MHz | 100 MHz | 1 GHz |
| | | | DC | AC | DC | AC | | | | | | | | | | | | | | |
| 51-390-018 | 23-0026 | 1 | — | — | 50 | — | 0.50 | 1.400 | 0.360 | LB | 0.630 | (16.002) | A | 12 | 36 | 48 | 69 | 70 | 70 | 70 |
| 51-390-026 | 23-0038 | 1 | — | — | 50 | — | 1.00 | 1.400 | 0.140 | LB | 0.630 | (16.002) | A | 11 | 26 | 36 | 55 | 70 | 70 | 70 |
| 51-390-034 | 23-0050 | 1 | — | — | 50 | — | 2.00 | 1.400 | 0.070 | LB | 0.630 | (16.002) | A | 10 | 24 | 32 | 48 | 70 | 70 | 70 |
| †51-353-067 | 24-0006 | 1 | 80 | — | 50 | — | 10.00 | 1.400 | 0.010 | LB | 0.760 | (19.304) | B | 15 | 28 | 31 | 42 | 56 | 70 | 70 |
| 51-353-207 | 34-0007 | 1 | — | — | 50 | — | 10.00 | 1.400 | 0.010 | LB | 0.760 | (19.304) | A | 15 | 28 | 31 | 42 | 56 | 70 | 70 |
| 51-444-072 | 58-0002 | 1 | 80 | — | 50 | — | 10.00 | 1.400 | 0.008 | LT | 0.545 | (13.843) | A | 15 | 28 | 33 | 44 | 60 | 70 | 70 |
| †51-353-066 | 24-0005 | 1 | 80 | — | 50 | — | 10.00 | 1.400 | 0.010 | LB | 0.760 | (19.304) | A | 15 | 28 | 31 | 42 | 56 | 70 | 70 |
| 51-353-287 | 39-0014 | 1 | — | — | 50 | — | 10.00 | 1.400 | 0.003 | LT | 0.760 | (19.304) | B | 14 | 28 | 34 | 44 | 52 | 70 | 70 |
| †51-444-060 | 24-0008 | 1 | 80 | — | 50 | — | 10.00 | 1.400 | 0.010 | LT | 0.740 | (18.796) | B | 15 | 28 | 31 | 42 | 56 | 70 | 70 |
| †51-343-028 | 38-0002 | 1 | — | — | 50 | — | 15.00 | 1.400 | 0.008 | LB | 0.481 | (12.217) | A | 15 | 28 | 33 | 44 | 64 | 70 | 70 |
| †51-343-034 | 38-0006 | 1 | — | — | 50 | — | 15.00 | 1.400 | 0.008 | LB | 0.481 | (12.217) | B | 15 | 28 | 33 | 44 | 64 | 70 | 70 |
| 51-353-053 | 25-0003 | 1 | — | — | 100 | — | 1.00 | 0.450 | 0.250 | LB | 0.738 | (18.745) | A | 6 | 23 | 34 | 55 | 70 | 70 | 70 |
| †51-353-054 | 25-0005 | 1 | — | — | 100 | — | 5.00 | 0.450 | 0.015 | LT | 0.758 | (19.253) | A | 6 | 17 | 23 | 35 | 69 | 70 | 70 |
| †51-353-055 | 25-0008 | 1 | — | — | 100 | — | 5.00 | 0.450 | 0.015 | LB | 0.738 | (18.745) | A | 6 | 17 | 23 | 35 | 69 | 70 | 70 |
| 51-353-155 | 39-0008 | 1 | — | — | 100 | — | 5.00 | 0.450 | 0.015 | LB | 0.760 | (19.304) | A | 6 | 20 | 26 | 35 | 60 | 60 | 70 |
| 51-444-039 | 25-0017 | 1 | — | — | 100 | — | 5.00 | 0.450 | 0.015 | LT | 0.758 | (19.253) | B | 6 | 17 | 23 | 35 | 69 | 70 | 70 |

† Also available through Spectrum Control's authorized distributors.

Hermetically Sealed Threaded Case Filters

L-C Filter LT



L-C Filter LB



.375 ø L Circuit MIL Qualified Profile *continued*

(See MIL index on pages 244-246 for complete MIL part number listing)

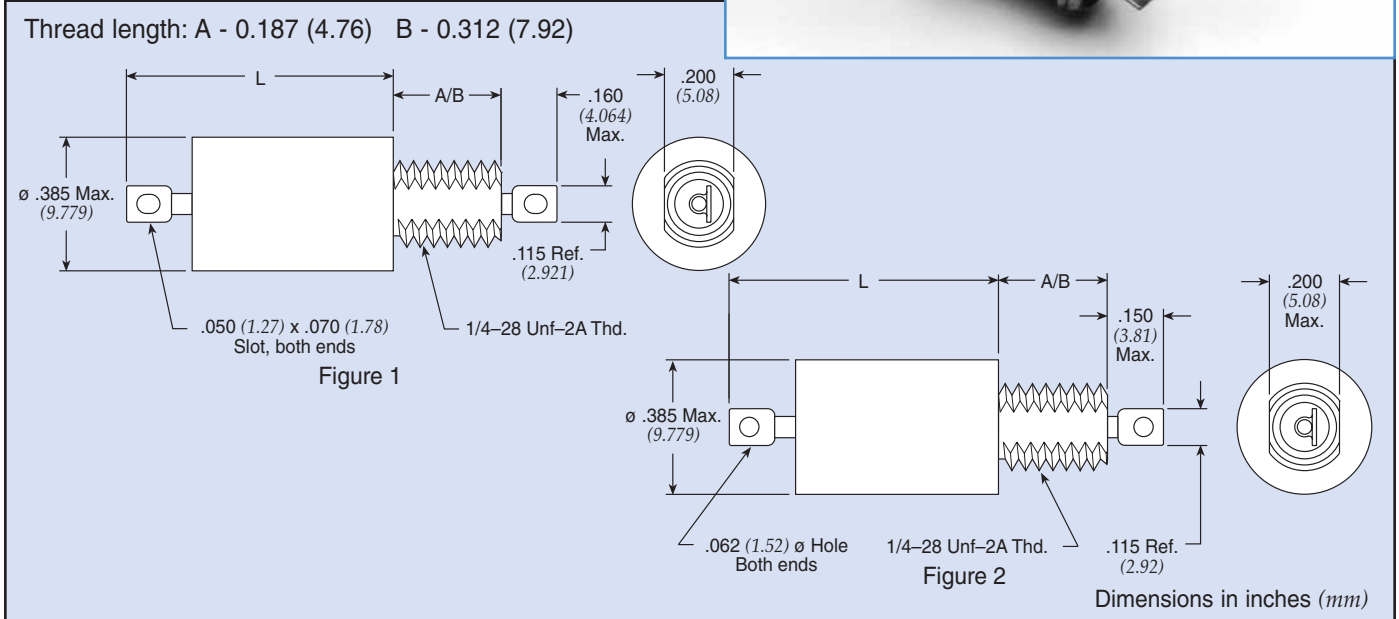
| Part Number | M15733 MIL No | See Pg. 88 for Fig | Rated Voltage | | | | I Amp | Min Cap µF | DCR Max Ohms | CKT | Max L | | Thd Lgth | Minimum Insertion Loss (dB) | | | | | | | |
|--------------|---------------------|--------------------------|---------------|----|-------|-----|----------|------------------|--------------------|-----|----------|----------|-------------|-----------------------------|------------|------------|----------|-----------|------------|----------|--|
| | | | 85°C | | 125°C | | | | | | In | (mm) | | 30 KHz | 150 KHz | 300 KHz | 1 MHz | 10 MHz | 100 MHz | 1 GHz | |
| | | | DC | AC | DC | AC | | | | | | | | | | | | | | | |
| 51-444-040 | 25-0020 | 1 | — | — | 100 | | 5.00 | 0.450 | 0.015 | LB | 0.738 | (18.745) | B | 6 | 17 | 23 | 35 | 69 | 70 | 70 | |
| 51-353-156 | 39-0009 | 1 | — | — | 100 | | 10.00 | 0.450 | 0.003 | LT | 0.760 | (19.304) | A | 6 | 20 | 26 | 35 | 56 | 60 | 70 | |
| 51-353-157 | 39-0010 | 1 | — | — | 100 | | 10.00 | 0.450 | 0.003 | LB | 0.760 | (19.304) | A | 6 | 20 | 26 | 35 | 56 | 60 | 70 | |
| + 51-353-076 | 26-0001 | 1 | — | — | 150 | 125 | 1.00 | 0.250 | 0.250 | LT | 0.758 | (19.253) | A | — | 13 | 24 | 45 | 80 | 70 | 70 | |
| + 51-353-077 | 26-0003 | 1 | — | — | 150 | 125 | 1.00 | 0.250 | 0.250 | LB | 0.738 | (18.745) | A | — | 13 | 24 | 45 | 80 | 70 | 70 | |
| 51-444-043 | 26-0013 | 1 | — | — | 150 | 125 | 1.00 | 0.250 | 0.250 | LT | 0.758 | (19.253) | B | — | 13 | 24 | 45 | 80 | 70 | 70 | |
| 51-444-044 | 26-0015 | 1 | — | — | 150 | 125 | 1.00 | 0.250 | 0.250 | LB | 0.738 | (18.745) | B | — | 13 | 24 | 45 | 80 | 70 | 70 | |
| 51-390-040 | 23-0058 | 1 | — | — | 150 | | 2.00 | 0.250 | 0.070 | LT | 0.630 | (16.002) | A | 3 | 15 | 23 | 38 | 60 | 70 | 60 | |
| 51-390-039 | 23-0057 | 1 | — | — | 150 | | 2.00 | 0.250 | 0.070 | LT | 0.630 | (16.002) | B | 3 | 15 | 23 | 38 | 60 | 70 | 60 | |
| 51-444-005 | 34-0015 | 1 | — | — | 150 | 125 | 3.00 | 0.150 | 0.050 | LT | 0.758 | (19.253) | B | — | 8 | 15 | 30 | 68 | 70 | 70 | |
| + 51-353-078 | 26-0004 | 1 | — | — | 150 | 125 | 3.00 | 0.250 | 0.050 | LT | 0.758 | (19.253) | A | — | 8 | 15 | 30 | 68 | 70 | 70 | |
| + 51-353-079 | 26-0006 | 1 | — | — | 150 | 125 | 3.00 | 0.250 | 0.050 | LB | 0.738 | (18.745) | A | — | 8 | 15 | 30 | 68 | 70 | 70 | |
| + 51-444-046 | 26-0018 | 1 | — | — | 150 | 125 | 3.00 | 0.250 | 0.050 | LB | 0.738 | (18.745) | B | — | 8 | 15 | 30 | 68 | 70 | 70 | |
| 51-444-047 | 26-0019 | 1 | — | — | 150 | 125 | 5.00 | 0.250 | 0.015 | LT | 0.758 | (19.253) | B | — | 8 | 14 | 25 | 58 | 70 | 70 | |
| + 51-353-080 | 26-0007 | 1 | — | — | 150 | 125 | 5.00 | 0.250 | 0.015 | LT | 0.758 | (19.253) | A | — | 8 | 14 | 25 | 58 | 70 | 70 | |
| 51-353-081 | 26-0010 | 1 | — | — | 150 | 125 | 5.00 | 0.250 | 0.015 | LB | 0.738 | (18.745) | A | — | 8 | 14 | 25 | 58 | 70 | 70 | |
| 51-444-027 | 34-0030 | 1 | — | — | 200 | 125 | 5.00 | 0.250 | 0.150 | LB | 0.900 | (22.860) | A | 2 | 15 | 21 | 32 | 60 | 70 | 70 | |
| 51-444-117 | 54-0018 | 2 | — | — | 300 | 125 | 1.00 | 0.150 | 0.250 | LB | 0.740 | (18.796) | A | — | 10 | 21 | 41 | 70 | 70 | 70 | |

† Also available through Spectrum Control's authorized distributors.

Hermetically Sealed Threaded Case Filters



.375 ø Pi Circuit



.375 ø Pi Circuit Standard Product

| Part Number | MIL No | Figure | Rated Voltage | | | | I Amp | Min Cap µF | DCR Max Ohms | Max L | | Thd Lgth | Minimum Insertion Loss (dB) | | | | | | |
|----------------|--------|--------|---------------|-----|-------|-----|-------|------------|--------------|-------|----------|----------|-----------------------------|---------|---------|-------|--------|---------|-------|
| | | | 85°C | | 125°C | | | | | In | (mm) | | 30 KHz | 150 KHz | 300 KHz | 1 MHz | 10 MHz | 100 MHz | 1 GHz |
| SCI-2030-010 | — | 2 | 80 | — | 50 | — | 0.50 | 1.500 | 1.000 | 0.758 | (19.253) | B | 24 | 66 | 70 | 70 | 70 | 70 | |
| SCI-2030-004 | — | 2 | 80 | — | 50 | — | 1.00 | 1.500 | 0.250 | 0.758 | (19.253) | A | 15 | 54 | 70 | 70 | 70 | 70 | |
| SCI-2030-005 | — | 2 | 80 | — | 50 | — | 2.00 | 1.500 | 0.063 | 0.758 | (19.253) | A | — | 45 | 62 | 70 | 70 | 70 | |
| SCI-2030-006 | — | 2 | 80 | — | 50 | — | 3.00 | 1.500 | 0.027 | 0.758 | (19.253) | A | — | 35 | 55 | 70 | 70 | 70 | |
| SCI-2030-013 | — | 2 | 80 | — | 50 | — | 3.00 | 1.500 | 0.027 | 0.758 | (19.253) | B | — | 35 | 55 | 70 | 70 | 70 | |
| †9001-100-1080 | — | 1 | 80 | — | 50 | — | 5.00 | 2.800 | 0.015 | 0.758 | (19.253) | A | — | 18 | 60 | 70 | 70 | 70 | |
| †9001-100-1081 | — | 1 | 80 | — | 50 | — | 10.0 | 2.800 | 0.005 | 0.758 | (19.253) | A | 21 | 32 | 40 | 35 | 68 | 70 | 70 |
| SCI-2130-009 | — | 1 | 150 | — | 100 | — | 0.25 | 1.000 | 4.000 | 0.758 | (19.253) | B | 28 | 70 | 70 | 70 | 70 | 70 | |
| 51-311-319 | — | 1 | 150 | — | 100 | — | 0.50 | 1.000 | 0.600 | 0.758 | (19.253) | A | — | 51 | 69 | 70 | 70 | 70 | |
| †9001-100-1010 | — | 1 | 150 | — | 100 | — | 0.50 | 1.000 | 0.600 | 0.758 | (19.253) | A | 6 | 39 | 68 | 70 | 70 | 70 | |
| 51-311-320 | — | 1 | 150 | — | 100 | — | 1.00 | 1.000 | 0.250 | 0.758 | (19.253) | A | — | 41 | 60 | 70 | 70 | 70 | |
| †9001-100-1013 | — | 1 | 150 | — | 100 | — | 1.00 | 1.000 | 0.250 | 0.758 | (19.253) | A | — | 28 | 59 | 70 | 70 | 70 | |
| 51-311-321 | — | 1 | 150 | — | 100 | — | 3.00 | 1.000 | 0.060 | 0.758 | (19.253) | A | — | 16 | 41 | 70 | 70 | 70 | |
| †51-311-322 | — | 1 | 150 | — | 100 | — | 5.00 | 1.000 | 0.015 | 0.758 | (19.253) | A | — | — | 28 | 65 | 70 | 70 | |
| SCI-2130-007 | — | 1 | 150 | — | 100 | — | 10.0 | 1.000 | 0.003 | 0.758 | (19.253) | A | 9 | 24 | 29 | 40 | 70 | 70 | |
| SCI-2130-014 | — | 1 | 150 | — | 100 | — | 10.0 | 1.000 | 0.005 | 0.758 | (19.253) | B | 9 | 24 | 29 | 40 | 70 | 70 | |
| 51-311-316 | — | 1 | 250 | 125 | 200 | 125 | 1.00 | 0.300 | 0.250 | 0.758 | (19.253) | A | — | 20 | 40 | 70 | 70 | 70 | |
| 51-311-317 | — | 1 | 250 | 125 | 200 | 125 | 3.00 | 0.300 | 0.050 | 0.758 | (19.253) | A | — | — | 20 | 55 | 70 | 70 | |
| †9001-100-1025 | — | 1 | 250 | 125 | 200 | 125 | 5.00 | 0.300 | 0.015 | 0.758 | (19.253) | A | — | — | 12 | 50 | 70 | 70 | 80 |
| SCI-2330-009 | — | 1 | 300 | 125 | 300 | 125 | 0.25 | 0.300 | 4.000 | 0.758 | (19.253) | B | 8 | 50 | 66 | 70 | 70 | 70 | |
| SCI-2330-010 | — | 1 | 300 | 125 | 300 | 125 | 0.50 | 0.300 | 1.000 | 0.758 | (19.253) | B | — | 40 | 56 | 70 | 70 | 70 | |
| SCI-2330-012 | — | 1 | 300 | 125 | 300 | 125 | 2.00 | 0.300 | 0.063 | 0.758 | (19.253) | B | — | 18 | 33 | 63 | 70 | 70 | |
| SCI-2330-007 | — | 1 | 300 | 125 | 300 | 125 | 10.0 | 0.300 | 0.003 | 0.758 | (19.253) | A | — | 14 | 20 | 30 | 70 | 70 | |

† Also available through Spectrum Control's authorized distributors.

Hermetically Sealed Threaded Case Filters

.375 ø Pi Circuit MIL Qualified Product

(See MIL index on pages 244-246 for complete MIL part number listing)

| Part Number | M15733 MIL No | See Pg. 91 for Fig. | Rated Voltage | | | | I Amp | Min Cap µF | DCR Max Ohms | Max L | | Thd Lgth | Minimum Insertion Loss (dB) | | | | | | |
|--------------|---------------|---------------------|---------------|----|-------|-----|-------|------------|--------------|-------|----------|----------|-----------------------------|---------|---------|-------|--------|---------|-------|
| | | | 85°C | | 125°C | | | | | In | (mm) | | 30 KHz | 150 KHz | 300 KHz | 1 MHz | 10 MHz | 100 MHz | 1 GHz |
| | | | DC | AC | DC | AC | | | | | | | | | | | | | |
| 51-390-305 | 23-0017 | 1 | — | — | 50 | — | 0.30 | 2.800 | 0.770 | 0.730 | (18.542) | B | 29 | 73 | 80 | 80 | 80 | 80 | |
| 51-390-314 | 23-0042 | 1 | — | — | 50 | — | 1.00 | 2.800 | 0.140 | 0.730 | (18.542) | A | 8 | 52 | 71 | 80 | 80 | 80 | 80 |
| † 51-390-318 | 23-0054 | 1 | — | — | 50 | — | 2.00 | 1.500 | 0.070 | 0.730 | (18.542) | A | — | 46 | 65 | 80 | 80 | 80 | 80 |
| † 51-390-317 | 23-0053 | 1 | — | — | 50 | — | 2.00 | 1.500 | 0.070 | 0.730 | (18.542) | B | — | 46 | 65 | 80 | 80 | 80 | 80 |
| 51-311-311 | 25-0010 | 1 | — | — | 100 | — | 0.25 | 0.900 | 1.500 | 0.793 | (20.142) | A | — | 48 | 66 | 80 | 80 | 80 | 70 |
| † 51-311-308 | 25-0002 | 1 | — | — | 100 | — | 1.00 | 0.500 | 0.250 | 0.793 | (20.142) | A | — | 33 | 52 | 80 | 80 | 80 | 70 |
| † 51-311-309 | 25-0004 | 1 | — | — | 100 | — | 3.00 | 0.660 | 0.050 | 0.793 | (20.142) | A | — | 17 | 34 | 68 | 80 | 80 | 70 |
| † 51-311-310 | 25-0006 | 1 | — | — | 100 | — | 5.00 | 0.900 | 0.015 | 0.793 | (20.142) | A | — | — | 17 | 57 | 80 | 80 | 70 |
| 51-353-344 | 39-0011 | 1 | — | — | 100 | — | 10.0 | 0.990 | 0.003 | 0.760 | (19.304) | A | 9 | 24 | 29 | 40 | 70 | 70 | 70 |
| 51-353-345 | 39-0012 | 1 | — | — | 100 | — | 10.0 | 0.990 | 0.003 | 0.760 | (19.304) | A | 9 | 24 | 29 | 40 | 70 | 70 | 70 |
| † 51-311-314 | 26-0011 | 1 | — | — | 150 | 125 | 0.25 | 0.300 | 1.500 | 0.793 | (20.142) | A | — | 29 | 47 | 70 | 80 | 80 | 70 |
| 51-390-312 | 23-0036 | 1 | — | — | 150 | — | 0.50 | 0.500 | 0.360 | 0.730 | (18.542) | A | — | 48 | 66 | 70 | 70 | 70 | 70 |
| 51-390-311 | 23-0035 | 1 | — | — | 150 | — | 0.50 | 0.500 | 0.360 | 0.730 | (18.542) | B | — | 48 | 66 | 70 | 70 | 70 | 70 |
| † 51-353-336 | 26-0002 | 1 | — | — | 150 | 125 | 1.00 | 0.300 | 0.250 | 0.793 | (20.142) | A | — | 11 | 32 | 63 | 80 | 80 | 70 |
| 51-390-315 | 23-0047 | 1 | — | — | 150 | — | 1.00 | 0.500 | 0.140 | 0.730 | (18.542) | B | — | 32 | 51 | 70 | 70 | 70 | 70 |
| 51-311-312 | 26-0005 | 1 | — | — | 150 | 125 | 3.00 | 0.300 | 0.050 | 0.793 | (20.142) | A | — | 5 | 6 | 47 | 80 | 80 | 70 |
| 51-311-408 | 54-0005 | 2 | — | — | 300 | 115 | 1.00 | 0.300 | 0.250 | 0.761 | (19.329) | A | — | 23 | 43 | 70 | 70 | 70 | 70 |

† Also available through Spectrum Control's authorized distributors.

Transient Suppression Pi Filters

| Part Number | See Pg. 91 for Fig. | Rated Volt. VDC | I Amp | Min Cap µF | DCR Min Mohms | Max RDC Ohms | Transient Suppressor* | | | | Length | | Max Thd Lgth | Minimum Insertion Loss (dB) | | | | | | |
|-------------|---------------------|-----------------|-------|------------|---------------|--------------|-----------------------|-----------|----------|----------|--------|----------|--------------|-----------------------------|---------|-------|--------|---------|-------|--|
| | | | | | | | VR* (VDC) | BV* (VDC) | IT* (MA) | IPP* (A) | In | (mm) | | 30 KHz | 300 KHz | 1 MHz | 10 MHz | 100 MHz | 1 GHz | |
| | | | | | | | | | | | | | | | | | | | | |
| 51-570-300 | 1 | 5 | 0.50 | 1.400 | 0.500 | 0.600 | 6.5 | 7.22/7.98 | 10 | 44.7 | 1.179 | (29.947) | A | 23 | 57 | 70 | 70 | 70 | 70 | |
| 51-570-301 | 1 | 5 | 1.00 | 1.400 | 0.500 | 0.350 | 6.5 | 7.22/7.98 | 10 | 44.7 | 1.179 | (29.947) | A | 3 | 47 | 70 | 70 | 70 | 70 | |
| 51-570-302 | 1 | 5 | 3.00 | 1.400 | 0.500 | 0.060 | 6.5 | 7.22/7.98 | 10 | 44.7 | 1.179 | (29.947) | A | — | 23 | 58 | 70 | 70 | 70 | |
| 51-570-303 | 1 | 5 | 5.00 | 1.400 | 0.500 | 0.015 | 6.5 | 7.22/7.98 | 10 | 44.7 | 1.179 | (29.947) | A | — | 17 | 48 | 70 | 70 | 70 | |
| 51-570-304 | 1 | 5 | 10.00 | 1.400 | 0.500 | 0.005 | 6.5 | 7.22/7.98 | 10 | 44.7 | 1.179 | (29.947) | A | 16 | 26 | 35 | 40 | 60 | 70 | |
| 51-570-310 | 1 | 28 | 0.50 | 1.400 | 30.000 | 0.600 | 33.0 | 36.7/40.6 | 1 | 9.4 | 1.179 | (29.947) | A | 23 | 57 | 70 | 70 | 70 | 70 | |
| 51-570-311 | 1 | 28 | 1.00 | 1.400 | 30.000 | 0.350 | 33.0 | 36.7/40.6 | 1 | 9.4 | 1.179 | (29.947) | A | 3 | 47 | 70 | 70 | 70 | 70 | |
| 51-570-312 | 1 | 28 | 3.00 | 1.400 | 30.000 | 0.060 | 33.0 | 36.7/40.6 | 1 | 9.4 | 1.179 | (29.947) | A | — | 23 | 58 | 70 | 70 | 70 | |
| 51-570-313 | 1 | 28 | 5.00 | 1.400 | 30.000 | 0.015 | 33.0 | 36.7/40.6 | 1 | 9.4 | 1.179 | (29.947) | A | — | 17 | 48 | 70 | 70 | 70 | |
| 51-570-314 | 1 | 28 | 10.00 | 1.400 | 30.000 | 0.005 | 33.0 | 36.7/40.6 | 1 | 9.4 | 1.179 | (29.947) | A | 16 | 26 | 35 | 40 | 60 | 70 | |
| 51-570-320 | 1 | 50 | 0.50 | 1.400 | 50.000 | 0.600 | 58.0 | 64.4/71.2 | 1 | 5.3 | 1.179 | (29.947) | A | 23 | 57 | 70 | 70 | 70 | 70 | |
| 51-570-321 | 1 | 50 | 1.00 | 1.400 | 50.000 | 0.350 | 58.0 | 64.4/71.2 | 1 | 5.3 | 1.179 | (29.947) | A | 3 | 47 | 70 | 70 | 70 | 70 | |
| 51-570-322 | 1 | 50 | 3.00 | 1.400 | 50.000 | 0.060 | 58.0 | 64.4/71.2 | 1 | 5.3 | 1.179 | (29.947) | A | — | 23 | 58 | 70 | 70 | 70 | |
| 51-570-323 | 1 | 50 | 5.00 | 1.400 | 50.000 | 0.015 | 58.0 | 64.4/71.2 | 1 | 5.3 | 1.179 | (29.947) | A | — | 17 | 48 | 70 | 70 | 70 | |
| 51-570-324 | 1 | 50 | 10.00 | 1.400 | 50.000 | 0.005 | 58.0 | 64.4/71.2 | 1 | 5.3 | 1.179 | (29.947) | A | 16 | 26 | 35 | 40 | 60 | 70 | |

* Transient Suppression definitions and ratings

VR = Reverse standoff voltage
BV = Breakdown voltage

IPP = Max. peak pulse current
IT = Test current

Hermetically Sealed Threaded Case Filters



.375 ø T Circuit

Thread length: A - 0.187 (4.76) B - 0.312 (7.92)



Figure 1

Note: Max. O.D. is ø .416" for Military QPL Filters.

Dimensions in inches (mm)

.375 ø T Circuit Standard Product

| Part Number | MIL No | Figure | Rated Voltage | | | | I Amp | Min Cap µF | DCR Max Ohms | Max L | | Thd Lgth | Minimum Insertion Loss (dB) | | | | | | |
|-----------------|--------|--------|---------------|---|-------|-----|-------|------------|--------------|-------|----------|----------|-----------------------------|---------|---------|-------|--------|---------|-------|
| | | | 85°C | | 125°C | | | | | In | (mm) | | 30 KHz | 150 KHz | 300 KHz | 1 MHz | 10 MHz | 100 MHz | 1 GHz |
| SCI-2040-012 | — | 1 | 80 | — | 50 | — | 2.00 | 1.400 | 0.126 | 1.071 | (27.203) | B | 8 | 22 | 30 | 55 | 70 | 70 | 70 |
| SCI-2040-013 | — | 1 | 80 | — | 50 | — | 3.00 | 1.400 | 0.054 | 1.071 | (27.203) | B | 8 | 22 | 28 | 43 | 70 | 70 | 70 |
| † 9004-100-2017 | — | 1 | 80 | — | 50 | — | 15.0 | 1.400 | 0.005 | 1.179 | (29.947) | A | 17 | 27 | 34 | 44 | 60 | 70 | 70 |
| SCI-2140-004 | — | 1 | 150 | — | 100 | — | 1.00 | 0.500 | 0.500 | 1.070 | (27.178) | A | 4 | 25 | 40 | 70 | 70 | 70 | 70 |
| SCI-2140-006 | — | 1 | 150 | — | 100 | — | 3.00 | 0.500 | 0.054 | 1.071 | (27.203) | A | 4 | 19 | 24 | 39 | 70 | 70 | 70 |
| SCI-2140-007 | — | 1 | 150 | — | 100 | — | 10.0 | 0.500 | 0.010 | 1.071 | (27.203) | A | 4 | 19 | 24 | 34 | 57 | 70 | 70 |
| SCI-2340-009 | — | 1 | 300 | — | 300 | 125 | 0.25 | 0.150 | 8.000 | 1.071 | (27.203) | B | 11 | 57 | 70 | 70 | 70 | 70 | 70 |
| SCI-2340-004 | — | 1 | 300 | — | 300 | 125 | 1.00 | 0.150 | 0.500 | 1.071 | (27.203) | A | — | 13 | 29 | 59 | 70 | 70 | 70 |
| SCI-2340-013 | — | 1 | 300 | — | 300 | 125 | 3.00 | 0.150 | 0.054 | 1.071 | (27.203) | B | — | 8 | 14 | 29 | 70 | 70 | 70 |
| SCI-2340-014 | — | 1 | 300 | — | 300 | 125 | 10.0 | 0.150 | 0.010 | 1.071 | (27.203) | B | — | 8 | 14 | 24 | 47 | 70 | 70 |

† Also available through Spectrum Control's authorized distributors.

(See MIL index on page 244-246 for complete MIL part number listing)

.375 ø T Circuit MIL Qualified Product

| Part Number | M15733 MIL No | Figure | Rated Voltage | | | | I Amp | Min Cap µF | DCR Max Ohms | Max L | | Thd Lgth | Minimum Insertion Loss (dB) | | | | | | |
|--------------|---------------|--------|---------------|---|-------|-----|-------|------------|--------------|-------|----------|----------|-----------------------------|---------|---------|-------|--------|---------|-------|
| | | | 85°C | | 125°C | | | | | In | (mm) | | 30 KHz | 150 KHz | 300 KHz | 1 MHz | 10 MHz | 100 MHz | 1 GHz |
| 51-382-609 | 25-0024 | 1 | — | — | 100 | — | 2.00 | 0.750 | 0.100 | 1.179 | (29.947) | B | 10 | 22 | 31 | 55 | 80 | 70 | 70 |
| 51-382-603 | 25-0007 | 1 | — | — | 100 | — | 4.00 | 0.750 | 0.063 | 1.345 | (34.163) | A | 10 | 22 | 28 | 43 | 80 | 70 | 70 |
| † 51-351-604 | 26-0012 | 1 | — | — | 150 | 125 | 2.00 | 0.250 | 0.100 | 1.179 | (29.947) | A | — | 13 | 21 | 43 | 80 | 70 | 70 |
| 51-351-603 | 26-0008 | 1 | — | — | 150 | 125 | 4.00 | 0.250 | 0.063 | 1.345 | (34.163) | A | — | 11 | 18 | 33 | 80 | 70 | 70 |

† Also available through Spectrum Control's authorized distributors.

Hermetically Sealed Threaded Case Filters

.375 ø TT Circuit Standard Product

| Part Number | MIL No | See Pg. 93 for Fig. | Rated Voltage | | | | I Amp | Min Cap μ F | DCR Max Ohms | Max L | | Thd Lgth | Minimum Insertion Loss (dB) | | | | | | |
|--------------|--------|---------------------|---------------|----|-------|-----|-------|-----------------|--------------|-------|----------|----------|-----------------------------|---------|---------|-------|--------|---------|-------|
| | | | 85°C | | 125°C | | | | | In | (mm) | | 30 KHz | 150 KHz | 300 KHz | 1 MHz | 10 MHz | 100 MHz | 1 GHz |
| | | | DC | AC | DC | AC | | | | | | | | | | | | | |
| SCI-2060-009 | — | 1 | — | — | 50 | — | 0.25 | 1.500 | 12.000 | 1.241 | (31.521) | B | 70 | 70 | 70 | 70 | 70 | 70 | 70 |
| SCI-2060-013 | — | 1 | — | — | 50 | — | 3.00 | 1.500 | 0.081 | 1.241 | (31.521) | B | — | 33 | 54 | 70 | 70 | 70 | 70 |
| SCI-2060-007 | — | 1 | — | — | 50 | — | 10.0 | 1.500 | 0.006 | 1.241 | (31.521) | A | 15 | 29 | 35 | 42 | 55 | 70 | 70 |
| SCI-2060-014 | — | 1 | — | — | 50 | — | 10.0 | 1.500 | 0.006 | 1.241 | (31.521) | B | 15 | 29 | 35 | 42 | 55 | 70 | 70 |
| SCI-2160-011 | — | 1 | — | — | 100 | — | 1.00 | 1.500 | 0.750 | 1.241 | (31.521) | B | 12 | 52 | 70 | 70 | 70 | 70 | 70 |
| SCI-2160-012 | — | 1 | — | — | 100 | — | 2.00 | 1.500 | 0.189 | 1.241 | (31.521) | B | — | 33 | 56 | 70 | 70 | 70 | 70 |
| SCI-2160-013 | — | 1 | — | — | 100 | — | 3.00 | 1.500 | 0.081 | 1.241 | (31.521) | B | — | 24 | 54 | 70 | 70 | 70 | 70 |
| SCI-2160-014 | — | 1 | — | — | 100 | — | 10.0 | 1.400 | 0.006 | 1.241 | (31.521) | B | 12 | 25 | 32 | 42 | 55 | 70 | 70 |
| SCI-2360-011 | — | 1 | — | — | 300 | 125 | 1.00 | 0.500 | 0.750 | 1.241 | (31.521) | B | — | 48 | 70 | 70 | 70 | 70 | 70 |
| SCI-2360-006 | — | 1 | — | — | 300 | 125 | 3.00 | 0.500 | 0.080 | 1.241 | (31.521) | A | — | 12 | 38 | 70 | 70 | 70 | 70 |
| SCI-2360-007 | — | 1 | — | — | 300 | 125 | 10.0 | 0.500 | 0.006 | 1.241 | (31.521) | A | 5 | 18 | 24 | 34 | 55 | 70 | 70 |
| SCI-2360-014 | — | 1 | — | — | 300 | 125 | 10.0 | 0.500 | 0.006 | 1.241 | (31.521) | B | 5 | 18 | 24 | 34 | 55 | 70 | 70 |

Hermetically Sealed Threaded Case Filters



.690 ø C Circuit



.690 ø C Circuit Standard Product

| Part Number | MIL No | Figure | Rated Voltage | | | | I Amp | Min Cap μ F | DCR Max Ohms | Max L | | Minimum Insertion Loss (dB) | | | | | | |
|----------------|--------|--------|---------------|-----|-------|-----|-------|-----------------|--------------|-------|----------|-----------------------------|---------|---------|-------|--------|---------|-------|
| | | | 85°C | | 125°C | | | | | In | (mm) | 30 KHz | 150 KHz | 300 KHz | 1 MHz | 10 MHz | 100 MHz | 1 GHz |
| †9932-100-6004 | — | 1 | 200 | — | 150 | 125 | 15 | 2.600 | 0.005 | 0.702 | (17.831) | 10 | 29 | 39 | 50 | 60 | 70 | 70 |
| 54-310-001 | — | 1 | 300 | — | 300 | 125 | 15 | 0.500 | 0.005 | 0.560 | (14.224) | 6 | 19 | 25 | 36 | 50 | 70 | 70 |
| 54-310-005 | — | 2 | 250 | — | 200 | 125 | 25 | 0.500 | 0.005 | 0.750 | (19.050) | 6 | 19 | 25 | 36 | 50 | 70 | 70 |
| 54-310-009 | — | 1 | 450 | 240 | 400 | 240 | 15 | 0.250 | 0.005 | 0.560 | (14.224) | — | 14 | 19 | 30 | 45 | 60 | 70 |
| †9932-100-6005 | — | 1 | 450 | 240 | 400 | 240 | 15 | 0.250 | 0.005 | 0.560 | (14.224) | — | 14 | 19 | 30 | 50 | 70 | 70 |

.690 ø C Circuit MIL Qualified Product

| Part Number | M15733 MIL No | Figure | Rated Voltage | | | | I Amp | Min Cap μ F | DCR Max Ohms | Max L | | Minimum Insertion Loss (dB) | | | | | | |
|-------------|---------------|--------|---------------|---|-------|-----|-------|-----------------|--------------|-------|----------|-----------------------------|---------|---------|-------|--------|---------|-------|
| | | | 85°C | | 125°C | | | | | In | (mm) | 30 KHz | 150 KHz | 300 KHz | 1 MHz | 10 MHz | 100 MHz | 1 GHz |
| 54-310-039 | 34-0037 | 1 | — | — | 275 | 125 | 15 | 0.200 | 0.005 | 0.575 | (14.605) | 5 | 15 | 21 | 31 | 51 | 70 | 70 |

.690 ø C Circuit DSCC 84084 Product

| Part Number | 84084 No | Figure | Rated Voltage | | | | I Amp | Min Cap μ F | DCR Max Ohms | Max L | | Minimum Insertion Loss (dB) | | | | | | |
|-------------|----------|--------|---------------|---|-------|-----|-------|-----------------|--------------|-------|----------|-----------------------------|---------|---------|-------|--------|---------|-------|
| | | | 85°C | | 125°C | | | | | In | (mm) | 30 KHz | 150 KHz | 300 KHz | 1 MHz | 10 MHz | 100 MHz | 1 GHz |
| 54-310-042 | -001 | 1 | — | — | 400 | 230 | 15 | 0.150 | 0.005 | 0.700 | (17.780) | — | 10 | 16 | 26 | 40 | 52 | 70 |

† Also available through Spectrum Control's authorized distributors.

Hermetically Sealed Threaded Case Filters



.690 ø L Circuit



.690 ø L Circuit Standard Product

| Part Number | MIL No | Figure | Rated Voltage | | | | I Amp | Min Cap μ F | DCR Max Ohms | CKT | Max L | | Minimum Insertion Loss (dB) | | | | | | |
|---------------|--------|--------|---------------|-----|-------|-----|-------|-----------------|--------------|-----|-------|----------|-----------------------------|---------|---------|-------|--------|---------|-------|
| | | | 85°C | | 125°C | | | | | | In | L (mm) | 30 KHz | 150 KHz | 300 KHz | 1 MHz | 10 MHz | 100 MHz | 1 GHz |
| | | | DC | AC | DC | AC | | | | | | | | | | | | | |
| 9010-100-0049 | — | 1 | 150 | — | 100 | — | 10.0 | 1.400 | 0.005 | LT | 0.905 | (22.987) | 16 | 24 | 34 | 44 | 60 | 70 | 70 |
| SCI-6120-008 | — | 1 | 150 | — | 100 | — | 10.0 | 2.600 | 0.006 | LB | 0.959 | (24.359) | 18 | 32 | 39 | 49 | 70 | 70 | 70 |
| SCI-6120-009 | — | 1 | 150 | — | 100 | — | 20.0 | 2.600 | 0.001 | LB | 0.905 | (22.987) | 18 | 32 | 39 | 49 | 60 | 70 | 70 |
| 51-320-041 | — | 1 | 250 | — | 200 | 125 | 10.0 | 0.500 | 0.008 | LT | 0.905 | (22.987) | 5 | 19 | 25 | 35 | 50 | 70 | 70 |
| 51-320-024 | — | 1 | 450 | 240 | 400 | 240 | 1.00 | 0.360 | 0.210 | LT | 0.905 | (22.987) | 5 | 30 | 38 | 60 | 70 | 70 | 70 |
| 51-320-100 | — | 1 | 450 | 240 | 400 | 240 | 1.00 | 0.250 | 0.210 | LT | 0.905 | (22.987) | — | 21 | 33 | 55 | 70 | 70 | 70 |
| † 51-320-026 | — | 1 | 450 | 240 | 400 | 240 | 3.00 | 0.360 | 0.030 | LT | 0.905 | (22.987) | 5 | 19 | 25 | 45 | 70 | 70 | 70 |
| 51-320-103 | — | 1 | 450 | 240 | 400 | 240 | 5.00 | 0.360 | 0.010 | LB | 0.905 | (22.987) | — | 12 | 18 | 30 | 60 | 70 | 70 |
| 51-322-007 | — | 1 | 450 | 240 | 400 | 240 | 15.0 | 0.360 | 0.007 | LB | 0.650 | (16.510) | 5 | 19 | 25 | 35 | 48 | 62 | 70 |
| 51-322-015 | — | 2 | 450 | 240 | 400 | 240 | 25.0 | 0.360 | 0.007 | LT | 0.750 | (19.050) | 5 | 17 | 23 | 34 | 48 | 62 | 70 |
| 51-322-036 | — | 2 | 450 | 240 | 400 | 240 | 25.0 | 0.250 | 0.007 | LB | 0.750 | (19.050) | — | 10 | 16 | 29 | 45 | 60 | 70 |
| 9010-100-0054 | — | 1 | 450 | 240 | 300 | 240 | 1.00 | 0.150 | 0.250 | LT | 0.905 | (22.987) | — | 14 | 32 | 52 | 70 | 70 | 70 |
| SCI-6320-004 | — | 1 | 300 | — | 300 | 125 | 1.00 | 0.400 | 0.300 | LB | 0.959 | (24.359) | 6 | 24 | 35 | 56 | 70 | 70 | 70 |

† Also available through Spectrum Control's authorized distributors.

Hermetically Sealed Threaded Case Filters

L-C Filter LT



L-C Filter LB



(See MIL index on page 244-246 for complete MIL part number listing)

.690 ø L Circuit MIL Qualified Product

| Part Number | M15733 MIL No | See Pg. 96 for Fig. | Rated Voltage | | | | I Amp | Min Cap µF | DCR Max Ohms | CKT | Max L In | Max L (mm) | Minimum Insertion Loss (dB) | | | | | | | |
|--------------|---------------|---------------------|---------------|----|-------|-----|-------|------------|--------------|-----|----------|------------|-----------------------------|---------|---------|-------|--------|---------|-------|--|
| | | | 85°C | | 125°C | | | | | | | | 30 KHz | 150 KHz | 300 KHz | 1 MHz | 10 MHz | 100 MHz | 1 GHz | |
| | | | DC | AC | DC | AC | | | | | | | | | | | | | | |
| † 51-320-015 | 27-0005 | 1 | — | — | 200 | 125 | 3.00 | 0.250 | 0.033 | LT | 0.900 | (22.860) | — | 14 | 21 | 39 | 80 | 70 | 70 | |
| 51-320-017 | 27-0008 | 1 | — | — | 200 | 125 | 5.00 | 0.250 | 0.016 | LT | 0.900 | (22.860) | — | 13 | 19 | 32 | 69 | 70 | 70 | |
| 51-320-018 | 27-0009 | 1 | — | — | 200 | 125 | 5.00 | 0.250 | 0.016 | LB | 0.900 | (22.860) | — | 13 | 19 | 32 | 69 | 70 | 70 | |
| 51-323-003 | 27-0011 | 1 | — | — | 200 | 125 | 10.0 | 0.250 | 0.005 | LT | 1.031 | (26.187) | — | 13 | 19 | 30 | 61 | 70 | 70 | |
| 51-323-004 | 27-0012 | 1 | — | — | 200 | 125 | 10.0 | 0.250 | 0.005 | LB | 1.031 | (26.187) | — | 13 | 19 | 30 | 61 | 70 | 70 | |
| † 51-322-009 | 27-0014 | 2 | — | — | 200 | 125 | 15.0 | 0.250 | 0.007 | LT | 1.763 | (44.780) | — | 19 | 25 | 36 | 60 | 70 | 70 | |
| 51-322-017 | 34-0002 | 2 | — | — | 200 | 125 | 20.0 | 0.360 | 0.050 | LB | 1.763 | (44.780) | — | 19 | 25 | 35 | 57 | 70 | 70 | |

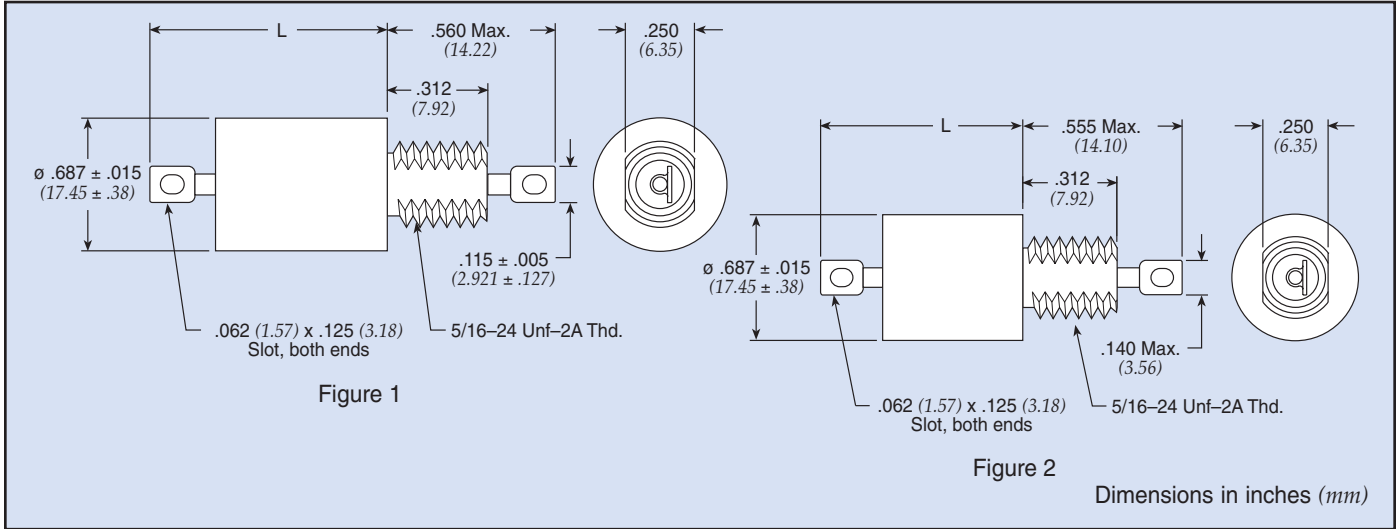
.690 ø L Circuit DSCC 84084 Product

| Part Number | 84084 No | See Pg. 96 for Fig. | Rated Voltage | | | | I Amp | Min Cap µF | DCR Max Ohms | CKT | Max L In | Max L (mm) | Minimum Insertion Loss (dB) | | | | | | | |
|-------------|----------|---------------------|---------------|----|-------|-----|-------|------------|--------------|-----|----------|------------|-----------------------------|---------|---------|-------|--------|---------|-------|--|
| | | | 85°C | | 125°C | | | | | | | | 30 KHz | 150 KHz | 300 KHz | 1 MHz | 10 MHz | 100 MHz | 1 GHz | |
| | | | DC | AC | DC | AC | | | | | | | | | | | | | | |
| 51-320-162 | -004 | 1 | — | — | 400 | 230 | 1.00 | 0.150 | 0.150 | LT | 0.905 | (22.987) | — | 19 | 30 | 46 | 60 | 70 | 70 | |
| 51-320-163 | -005 | 1 | — | — | 400 | 230 | 1.00 | 0.150 | 0.150 | LB | 0.905 | (22.987) | — | 19 | 30 | 46 | 60 | 70 | 70 | |
| 51-320-164 | -006 | 1 | — | — | 400 | 230 | 3.00 | 0.150 | 0.026 | LT | 0.905 | (22.987) | — | 11 | 19 | 36 | 60 | 70 | 70 | |
| 51-320-165 | -007 | 1 | — | — | 400 | 230 | 3.00 | 0.150 | 0.026 | LB | 0.905 | (22.987) | — | 11 | 19 | 36 | 60 | 70 | 70 | |
| 51-320-166 | -008 | 1 | — | — | 400 | 230 | 5.00 | 0.150 | 0.013 | LT | 0.905 | (22.987) | — | 10 | 16 | 28 | 54 | 70 | 70 | |
| 51-320-167 | -009 | 1 | — | — | 400 | 230 | 5.00 | 0.150 | 0.013 | LB | 0.905 | (22.987) | — | 10 | 16 | 28 | 54 | 70 | 70 | |
| 51-320-168 | -010 | 1 | — | — | 400 | 230 | 10.0 | 0.150 | 0.008 | LT | 0.905 | (22.987) | — | 10 | 16 | 25 | 48 | 70 | 70 | |
| 51-320-169 | -011 | 1 | — | — | 400 | 230 | 10.0 | 0.150 | 0.008 | LB | 0.905 | (22.987) | — | 10 | 16 | 25 | 48 | 70 | 70 | |

† Also available through Spectrum Control's authorized distributors.

Hermetically Sealed Threaded Case Filters

.690 ø Pi Circuit



Low Pass Filters

.690 ø Pi Circuit Standard Product

| Part Number | MIL No | Figure | Rated Voltage | | | | I Amp | Min Cap µF | DCR Max Ohms | Max L | | Minimum Insertion Loss (dB) | | | | | | |
|--------------|--------|--------|---------------|-----|-------|------|-------|------------|--------------|-------|----------|-----------------------------|---------|---------|-------|--------|---------|-------|
| | | | 85°C | | 125°C | | | | | In | (mm) | 30 KHz | 150 KHz | 300 KHz | 1 MHz | 10 MHz | 100 MHz | 1 GHz |
| 51-321-322 | — | 1 | 150 | — | 100 | — | 1.00 | 2.800 | 0.210 | 1.195 | (30.353) | 35 | 69 | 70 | 70 | 70 | 70 | 70 |
| SCI-6130-009 | — | 1 | 150 | — | 100 | — | 20.0 | 5.200 | 0.001 | 1.195 | (30.353) | 23 | 31 | 35 | 35 | 70 | 70 | 70 |
| 51-321-317 | — | 1 | 450 | 240 | 400 | *240 | 1.00 | 0.720 | 0.400 | 1.195 | (30.353) | — | 53 | 70 | 70 | 70 | 70 | 70 |
| †51-321-318 | — | 1 | 450 | 240 | 400 | *240 | 3.00 | 0.720 | 0.030 | 1.195 | (30.353) | — | 31 | 51 | 70 | 70 | 70 | 70 |
| †51-321-319 | — | 1 | 450 | 240 | 400 | *240 | 5.00 | 0.720 | 0.020 | 1.195 | (30.353) | — | 11 | 30 | 65 | 70 | 70 | 70 |

* 0-60 Hz

(See MIL index on page 244-246 for complete MIL part number listing)

.690 ø Pi Circuit MIL Qualified Product

| Part Number | M15733 MIL No | Figure | Rated Voltage | | | | I Amp | Min Cap µF | DCR Max Ohms | Max L | | Minimum Insertion Loss (dB) | | | | | | |
|-------------|---------------|--------|---------------|---|-------|-----|-------|------------|--------------|-------|----------|-----------------------------|---------|---------|-------|--------|---------|-------|
| | | | 85°C | | 125°C | | | | | In | (mm) | 30 KHz | 150 KHz | 300 KHz | 1 MHz | 10 MHz | 100 MHz | 1 GHz |
| 51-321-312 | 27-0004 | 1 | — | — | 200 | 125 | 1.00 | 0.500 | 0.250 | 1.195 | (30.353) | — | 47 | 65 | 80 | 80 | 70 | 70 |
| 51-323-313 | 27-0003 | 1 | — | — | 200 | 125 | 1.00 | 0.500 | 0.270 | 1.031 | (26.187) | — | 43 | 61 | 80 | 80 | 70 | 70 |
| 51-321-313 | 27-0010 | 1 | — | — | 200 | 125 | 5.00 | 0.500 | 0.024 | 1.195 | (30.353) | — | 10 | 28 | 64 | 80 | 70 | 70 |
| †51-321-314 | 27-0013 | 1 | — | — | 200 | 125 | 10.0 | 0.500 | 0.008 | 1.195 | (30.353) | — | 16 | 18 | 48 | 80 | 70 | 70 |
| 51-321-329 | 34-0005 | 1 | — | — | 200 | 125 | 10.0 | 0.500 | 0.075 | 1.195 | (30.353) | — | 16 | 18 | 48 | 80 | 70 | 70 |

.690 ø Pi Circuit DSCC 84084 Product

| Part Number | 84084 No | Figure | Rated Voltage | | | | I Amp | Min Cap µF | DCR Max Ohms | Max L | | Minimum Insertion Loss (dB) | | | | | | |
|-------------|----------|--------|---------------|---|-------|-----|-------|------------|--------------|-------|----------|-----------------------------|---------|---------|-------|--------|---------|-------|
| | | | 85°C | | 125°C | | | | | In | (mm) | 30 KHz | 150 KHz | 300 KHz | 1 MHz | 10 MHz | 100 MHz | 1 GHz |
| 51-321-398 | -013 | 2 | — | — | 400 | 230 | 1.00 | 0.200 | 0.150 | 1.200 | (30.480) | — | 27 | 46 | 74 | 80 | 80 | 80 |
| 51-321-399 | -014 | 2 | — | — | 400 | 230 | 3.00 | 0.200 | 0.026 | 1.200 | (30.480) | — | — | 30 | 60 | 80 | 80 | 80 |
| 51-321-400 | -015 | 2 | — | — | 400 | 230 | 5.00 | 0.200 | 0.013 | 1.200 | (30.480) | — | — | 12 | 50 | 80 | 80 | 80 |
| 51-321-401 | -016 | 2 | — | — | 400 | 230 | 10.0 | 0.200 | 0.008 | 1.200 | (30.480) | — | — | — | 30 | 80 | 80 | 80 |

† Also available through Spectrum Control's authorized distributors.

Hermetically Sealed Threaded Case Filters

.690 ø T Circuit



.690 ø T Circuit Standard Product

| Part Number | MIL No | Figure | Rated Voltage | | | | I Amp | Min Cap μ F | DCR Max Ohms | Max L (mm) | | Minimum Insertion Loss (dB) | | | | | | |
|--------------|--------|--------|---------------|-----|-------|-----|-------|-----------------|--------------|------------|----------|-----------------------------|---------|---------|-------|--------|---------|-------|
| | | | 85°C | | 125°C | | | | | | | 30 KHz | 150 KHz | 300 KHz | 1 MHz | 10 MHz | 100 MHz | 1 GHz |
| | | | DC | AC | DC | AC | | | | | | In | | | | | | |
| SCI-6140-004 | — | 1 | 150 | — | 100 | — | 1.00 | 2.600 | 0.600 | 1.195 | (30.353) | 23 | 54 | 70 | 70 | 70 | 70 | 70 |
| SCI-6140-006 | — | 1 | 150 | — | 100 | — | 3.00 | 2.600 | 0.100 | 1.195 | (30.353) | 21 | 35 | 46 | 70 | 70 | 70 | 70 |
| SCI-6140-007 | — | 1 | 150 | — | 100 | — | 5.00 | 2.600 | 0.060 | 1.195 | (30.353) | 21 | 34 | 41 | 58 | 70 | 70 | 70 |
| SCI-6140-009 | — | 1 | 150 | — | 100 | — | 20.0 | 2.600 | 0.002 | 1.195 | (30.353) | 21 | 35 | 41 | 50 | 60 | 70 | 70 |
| 51-321-649 | — | 1 | 250 | 125 | 200 | 125 | 2.00 | 0.360 | 0.090 | 1.195 | (30.353) | — | 24 | 38 | 65 | 70 | 70 | 70 |
| † 51-321-610 | — | 1 | 450 | 240 | 400 | 240 | 1.00 | 0.360 | 0.600 | 1.195 | (30.353) | 7 | 43 | 60 | 70 | 70 | 70 | 70 |

.690 ø T Circuit MIL Qualified Product

(See MIL index on pages 244-246 for complete MIL part number listing)

| Part Number | M15733 MIL No | Figure | Rated Voltage | | | | I Amp | Min Cap μ F | DCR Max Ohms | Max L (mm) | | Minimum Insertion Loss (dB) | | | | | | |
|-------------|---------------|--------|---------------|----|-------|-----|-------|-----------------|--------------|------------|----------|-----------------------------|---------|---------|-------|--------|---------|-------|
| | | | 85°C | | 125°C | | | | | | | 30 KHz | 150 KHz | 300 KHz | 1 MHz | 10 MHz | 100 MHz | 1 GHz |
| | | | DC | AC | DC | AC | | | | | | In | | | | | | |
| 51-321-607 | 27-0017 | 1 | — | — | 200 | 125 | 1.50 | 0.250 | 0.133 | 1.195 | (30.353) | — | 19 | 32 | 62 | 70 | 70 | 70 |
| 51-321-608 | 27-0018 | 1 | — | — | 200 | 125 | 4.00 | 0.250 | 0.025 | 1.195 | (30.353) | — | 14 | 21 | 36 | 70 | 70 | 70 |
| 51-321-670 | 54-0017 | 2 | — | — | 300 | 115 | 10.0 | 0.500 | 0.006 | 1.177 | (29.896) | 5 | 20 | 23 | 35 | 60 | 70 | 60 |

† Also available through Spectrum Control's authorized distributors.



Компания «ЭлектроПласт» предлагает заключение долгосрочных отношений при поставках импортных электронных компонентов на взаимовыгодных условиях!

Наши преимущества:

- Оперативные поставки широкого спектра электронных компонентов отечественного и импортного производства напрямую от производителей и с крупнейших мировых складов;
- Поставка более 17-ти миллионов наименований электронных компонентов;
- Поставка сложных, дефицитных, либо снятых с производства позиций;
- Оперативные сроки поставки под заказ (от 5 рабочих дней);
- Экспресс доставка в любую точку России;
- Техническая поддержка проекта, помощь в подборе аналогов, поставка прототипов;
- Система менеджмента качества сертифицирована по Международному стандарту ISO 9001;
- Лицензия ФСБ на осуществление работ с использованием сведений, составляющих государственную тайну;
- Поставка специализированных компонентов (Xilinx, Altera, Analog Devices, Intersil, Interpoint, Microsemi, Aeroflex, Peregrine, Syfer, Eurofarad, Texas Instrument, Miteq, Cobham, E2V, MA-COM, Hittite, Mini-Circuits, General Dynamics и др.);

Помимо этого, одним из направлений компании «ЭлектроПласт» является направление «Источники питания». Мы предлагаем Вам помощь Конструкторского отдела:

- Подбор оптимального решения, техническое обоснование при выборе компонента;
- Подбор аналогов;
- Консультации по применению компонента;
- Поставка образцов и прототипов;
- Техническая поддержка проекта;
- Защита от снятия компонента с производства.



Как с нами связаться

Телефон: 8 (812) 309 58 32 (многоканальный)

Факс: 8 (812) 320-02-42

Электронная почта: org@eplast1.ru

Адрес: 198099, г. Санкт-Петербург, ул. Калинина, дом 2, корпус 4, литера А.