



## Reed-Solomon Encoder

---

User's Guide

## Introduction

Lattice's Reed-Solomon Encoder core provides an ideal solution that meets the needs of today's Reed-Solomon applications. The Reed-Solomon Encoder core provides a customizable solution allowing forward error correction in many design applications. This core allows designers to focus on the application rather than the Reed-Solomon Encoder, resulting in faster time to market.

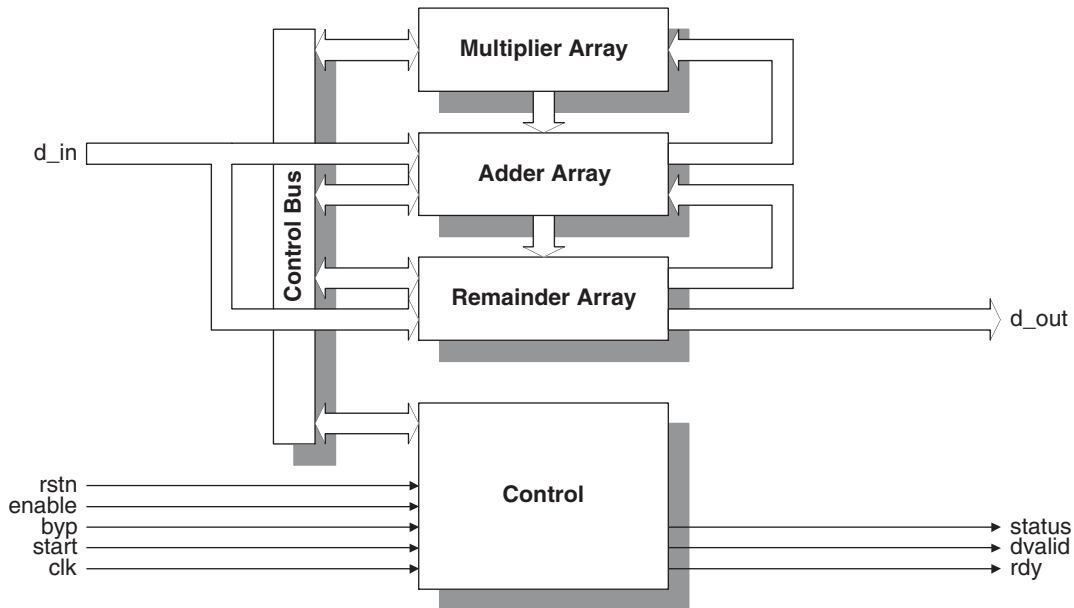
Reed-Solomon codes are widely used in various applications for forward error correction and detection. Lattice's Reed-Solomon Encoder core is a fully synchronous core developed in conjunction with Lattice's Reed-Solomon Decoder core to provide a complimentary pair. For more information on Lattice products, refer to the Lattice web site at [www.latticesemi.com](http://www.latticesemi.com).

This user's guide illustrates the functionality and implementation of the Reed-Solomon Encoder to provide encoding on any data transmission. It also describes a method for achieving the maximum level of performance.

## The Reed-Solomon Encoder Core

This section describes the functionality of the Reed-Solomon Encoder core. It includes information on how to customize the Reed-Solomon Encoder core as well as the details necessary to design an application that will interface with the Reed-Solomon Encoder core. Figure 1 illustrates the functional modules and internal bus structure used in the Reed-Solomon Encoder core.

**Figure 1. Reed-Solomon Encoder Core Block Diagram**



### Multiplier Array

The Multiplier Array does the Galois field multiplication between the generator coefficients and the addition of input data and feedback (modulo 2). This multiplication is an optimized multiplication between the generator coefficients, which are constants, and the input of the Multiplier Array. This optimization is done when processing the core.

### Adder Array

The Adder Array performs addition (modulo 2) on the data from the previous element of the Remainder Array and the result of the corresponding Galois field multiplication from the Multiplier Array. The outputs from the Adder Array are latched into the Remainder Array on each clock cycle.

### Remainder Array

The Remainder Array is a shift register array. It stores the remainder polynomial after the polynomial division. The remainder polynomial becomes the check symbols once all information symbols have been processed. The Remainder Array shifts in the data from the Adder Array until no information symbols remain. When all the information symbols have been received, the polynomial multiplication stops and the contents of the Remainder Array are output to `d_out`.

### Control Block

The control block generates all control signals and determines the state of the Reed-Solomon Encoder. The inputs control the state of the encoder. The control signals from the control block are sent through the control bus to determine when data should be transmitted to the encoder.

### Timing Diagrams

The illustrated timing examples utilize a non-continuous RS (7,3) code. The timing remains the same whether the core is continuous or non-continuous. However, when the core is continuous, the `rdy` and `dvalid` signals are not used.

Figure 2 illustrates the timing of an RS (7,3) single pipelined encoder during normal operation. The handshake signals `status`, `rdy`, and `dvalid` display how the encoder communicates with the source and destination devices.

**Figure 2. Timing of an RS (7,3) Single Pipelined Encoder**

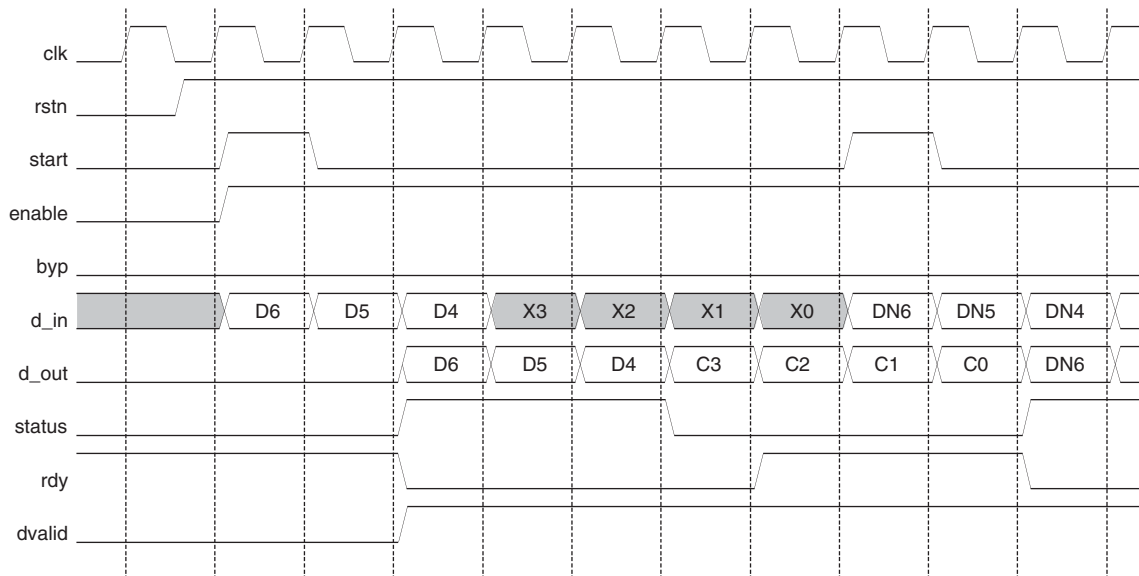


Figure 3 shows the timing of an RS (7,3) single pipelined encoder with `byp` asserted during the operation of the encoder. The handshaking signals are identical to normal operation, but the output is shifted due to the extra bypass data, which does not require check symbols.

**Figure 3. Timing of an RS (7,3) Single Pipelined Encoder with `byp` Asserted**

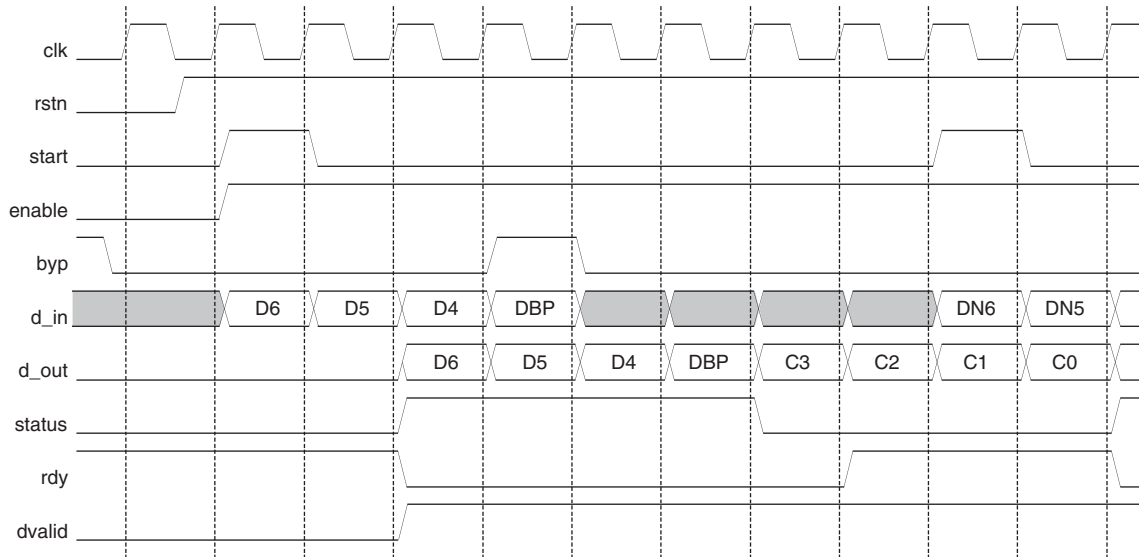


Figure 4 explains the timing of an RS (7,3) single pipelined encoder with `enable` de-asserted during the operation of the encoder. The handshaking signal, `dvalid`, indicates the data on `d_out` is invalid while the encoder maintains its state during the time `enable` is low.

**Figure 4. Timing of an RS (7,3) Single Pipelined Encoder with `enable` De-asserted**

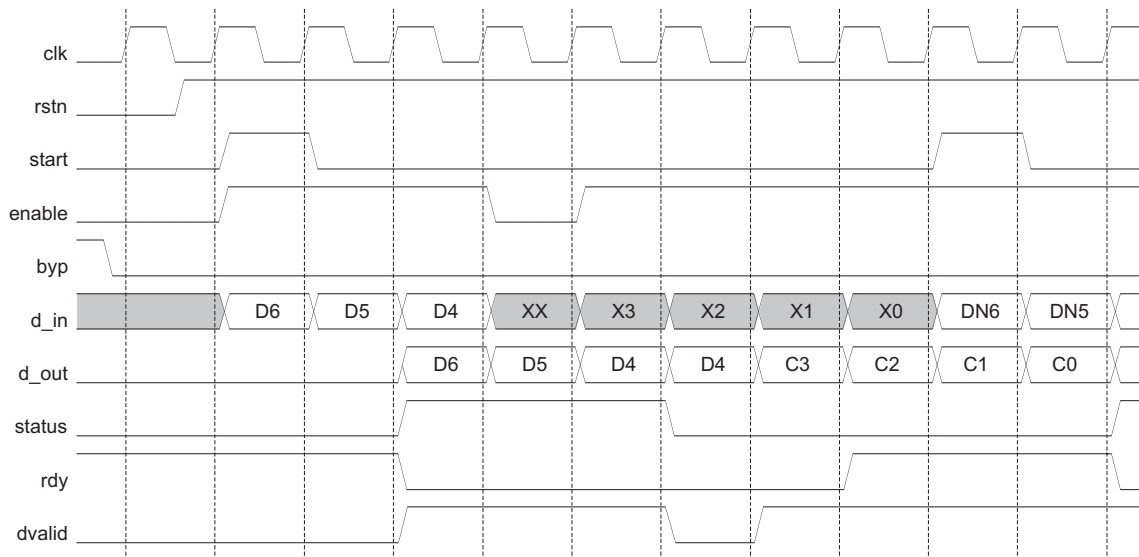


Figure 5 explains the timing of an RS (7,3) single pipelined encoder with start re-asserted during the operation of the encoder. The handshaking signal, `rdy`, indicates the encoder is ready to receive a new set of data when start is re-asserted during encoding.

**Figure 5. Timing of an RS (7,3) Single Pipelined Encoder with start Re-asserted**

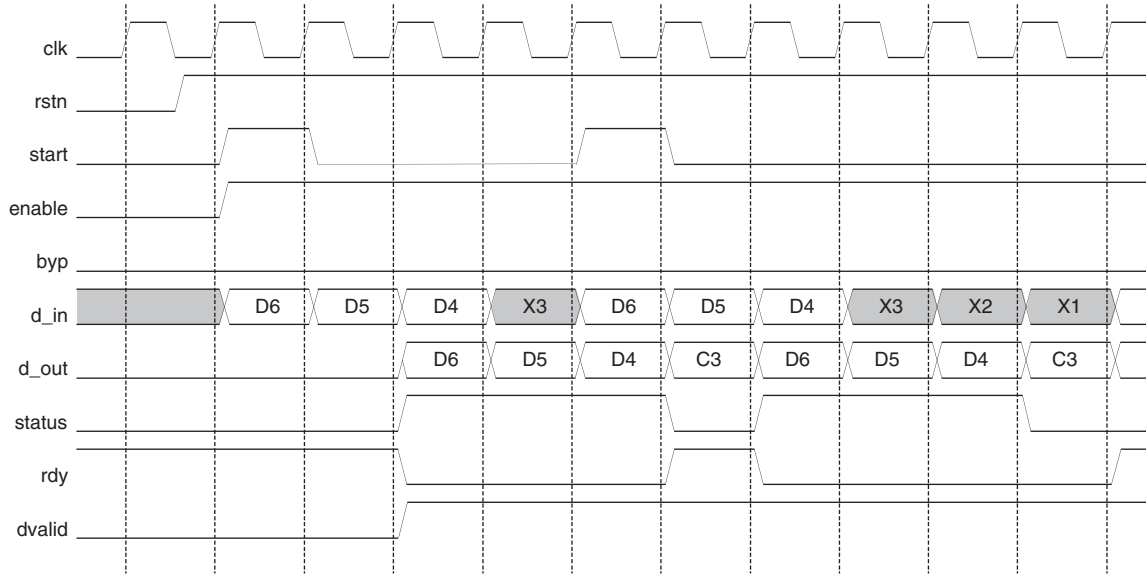


Figure 6 illustrates the timing of an RS (7,3) double-pipelined encoder during normal operation. The handshake signals, `status`, `rdy`, and `dvalid`, display how the encoder communicates with the source and destination devices.

**Figure 6. Timing of an RS (7,3) Double Pipelined Encoder**

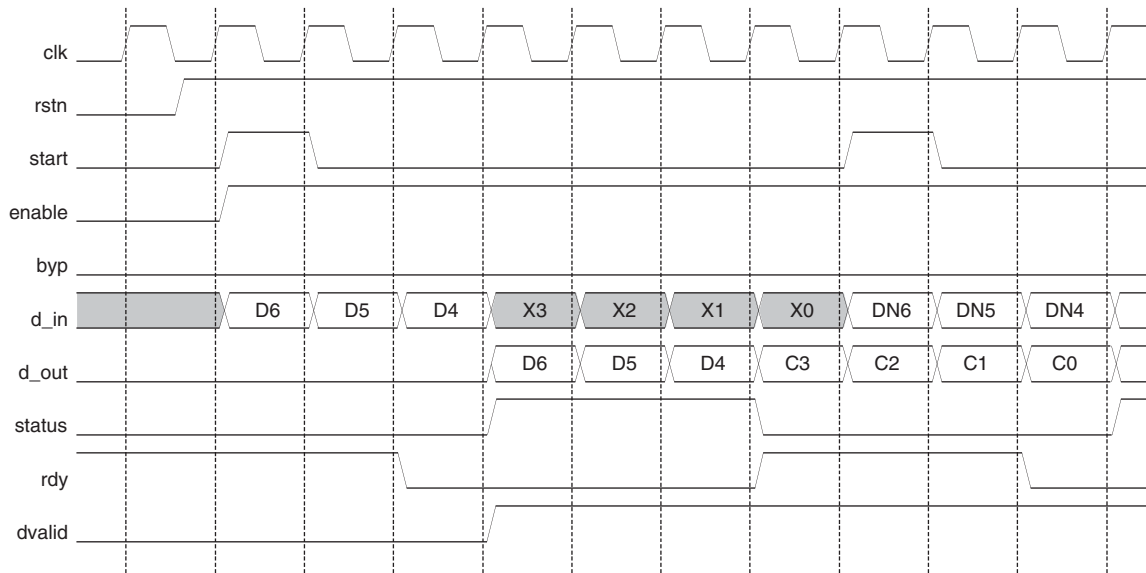


Figure 7 shows the timing of an RS (7,3) double-pipelined encoder with `byp` asserted during the operation of the encoder. The handshaking signals are identical to normal operation, but the output is shifted due to the extra bypass data, which does not require check symbols.

**Figure 7. Timing of an RS (7,3) Double Pipelined Encoder with `byp` Asserted**

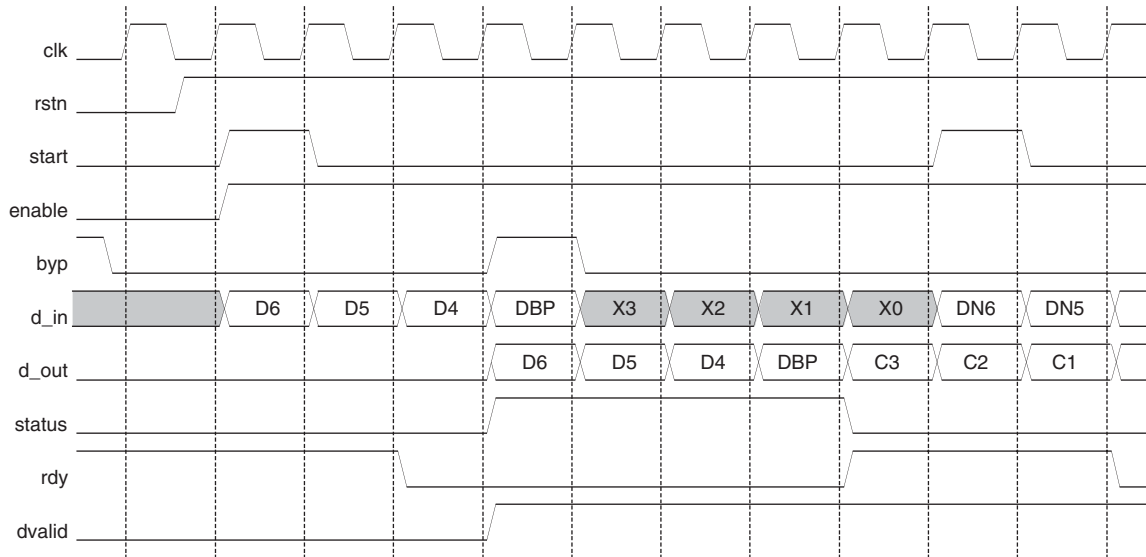


Figure 8 explains the timing of an RS (7,3) double-pipelined encoder with `enable` de-asserted during the operation of the encoder. The handshaking signal, `dvalid`, indicates the data on `d_out` is invalid while the encoder maintains its state during the time `enable` is low.

**Figure 8. Timing of an RS (7,3) Double Pipelined Encoder with `enable` De-asserted**

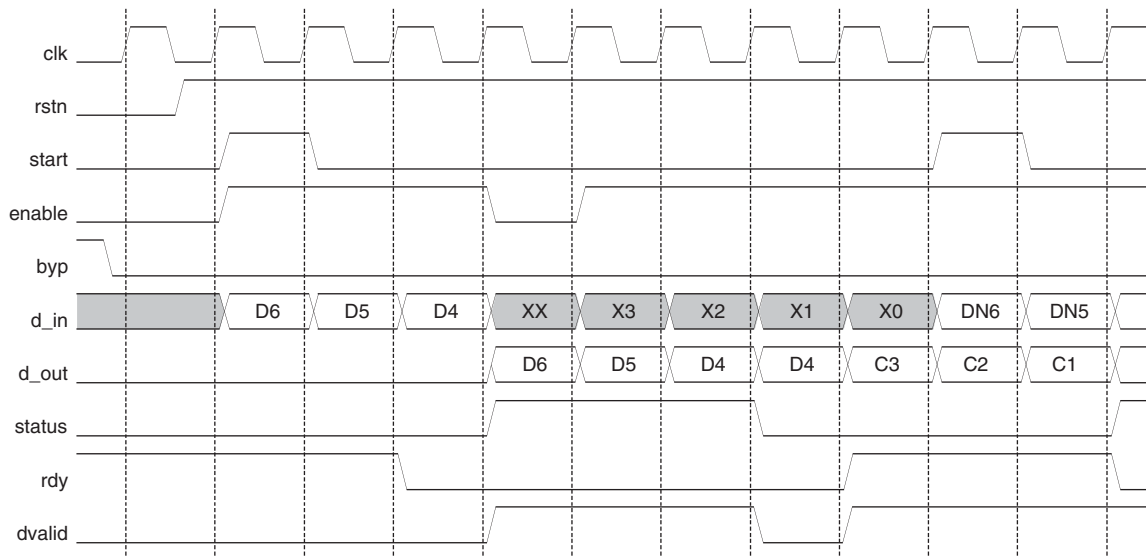
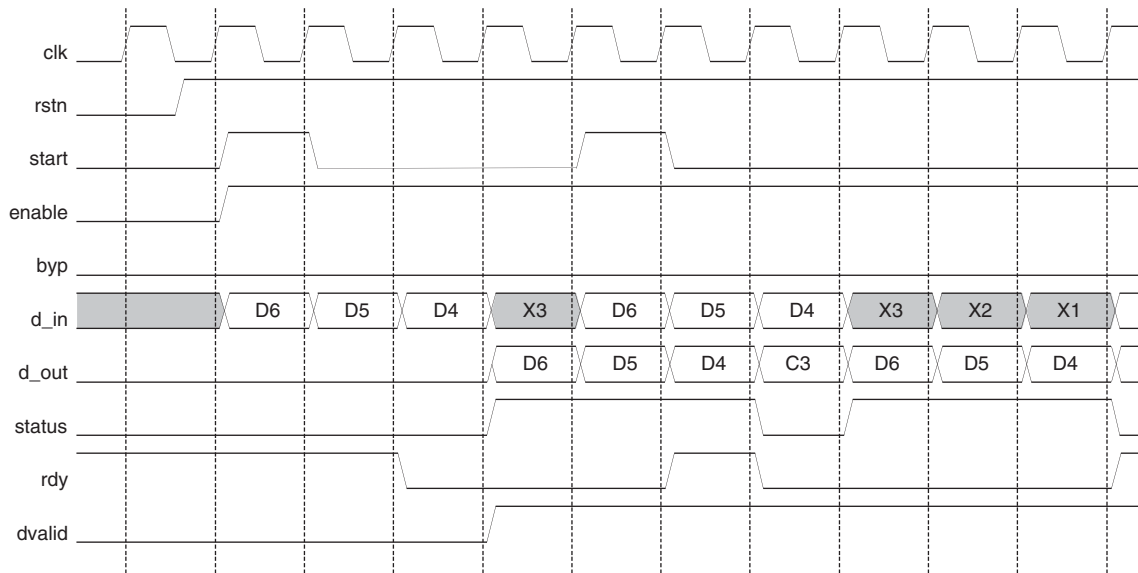


Figure 9 explains the timing of an RS (7,3) double-pipelined encoder with *start* re-asserted during the operation of the encoder. The handshaking signal, *rdy*, indicates the encoder is ready to receive a new set of data when *start* is re-asserted during encoding.

**Figure 9. Timing of an RS (7,3) Double Pipelined Encoder with *start* Re-asserted**



### Signal Definitions

Table 1 shows the input and output signals for the Reed-Solomon Encoder core. Refer to the *ispLEVER™ Software User's Manual* for additional information.

**Table 1. Reed-Solomon Encoder Signals**

Signal Name	I/O Type	Active State	Signal Description
d_in[s-1:0]	Input	N/A	Input data
rstn	Input	Low	Asynchronous reset input
enable	Input	High	Enables the encoder to process data on d_in. When low, the input data is ignored and d_out holds its state.
byp	Input	High	Indicates the data on d_in should pass directly through to d_out after the latency. This signal is ignored if enable is low.
start	Input	High	Indicates that the data on d_in is the first information symbol of a new code-word. This signal is ignored if byp is high or enable is low.
clk	Input	Rising Edge	Master clock input
d_out[s-1:0]	Output	N/A	Output data
status	Output	High	Indicates the information symbols are present on d_out or byp is asserted.
dvalid	Output	High	Indicates valid data on d_out. Not available with continuous configuration
rdy	Output	High	Indicates the encoder is ready to receive data. Active when rstn is asserted or when ready to receive data or start is asserted. Inactive when sufficient data has been received and check symbols are being calculated. Not available with continuous configuration

### Reed-Solomon Encoder Parameters

The Reed-Solomon Encoder has several parameters that allow the core to be configured in different modes listed in Table 2. Table 3 lists the default field polynomial for a given symbol width.

**Table 2. Reed-Solomon Encoder Parameter Descriptions**

Name	Value	Default	Description
n	3 - 4095	255	Number of symbols.
k	1 - 4093	239	Number of information symbols.
s	3 - 12	8	Symbol width.
f	11 - 8191	See Table 3	Decimal value of the field polynomial.
rootspace	1 - 65535	1	Root spacing of the generator polynomial. The value of rootspace must satisfy the following equation: $GCD(\text{rootspace}, 2^s - 1) = 1$ . GCD is Greatest Common Divisor.
gstart	0 - 65535	0	Offset value of the generator polynomial. The starting value for the first root of the generator polynomial is calculated as $\text{rootspace} * \text{gstart}$ .
inreg	0, 1	1	0 = the inputs will not be registered 1 = the inputs will be registered
latency	2, 3	3	2 = the input on <code>d_in</code> will take 2 clock cycles to reach <code>d_out</code> 3 = the input on <code>d_in</code> will take 3 clock cycles to reach <code>d_out</code>
algorithm	0, 1	1	Selects between two different multiplication algorithms. Used to improve timing results
handshake	0, 1	0	1 = the core will be a non-continuous core configuration 0 = the core will be a continuous core configuration ( <code>rdy</code> and <code>dvalid</code> will be used in non-continuous configuration only)

**Table 3. Reed-Solomon Encoder Default Field Polynomial**

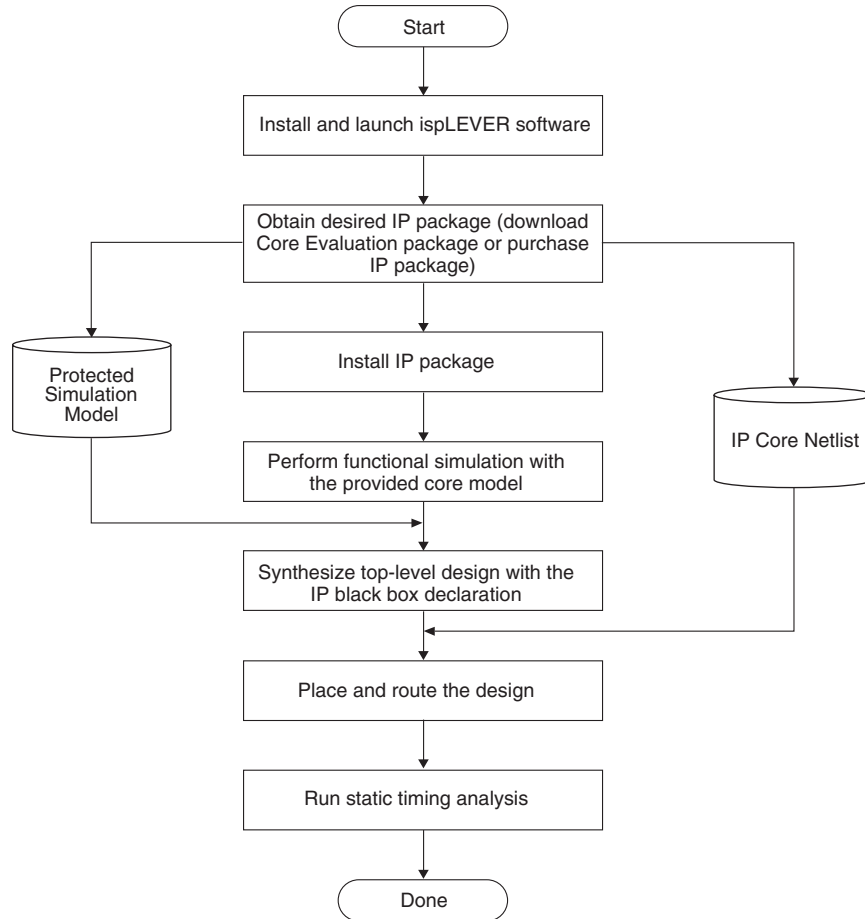
Symbol Width	Default Field Polynomial	Decimal Value
3	$x^3 + x + 1$	11
4	$x^4 + x + 1$	19
5	$x^5 + x^2 + 1$	37
6	$x^6 + x + 1$	67
7	$x^7 + x^3 + 1$	137
8	$x^8 + x^4 + x^3 + x^2 + 1$	285
9	$x^9 + x^4 + 1$	529
10	$x^{10} + x^3 + 1$	1033
11	$x^{11} + x^2 + 1$	2053
12	$x^{12} + x^6 + x^4 + x + 1$	4179



## Reed-Solomon Encoder Core Design Flow

The Reed-Solomon IP Core can be implemented using various methods. The scope of this document covers only the push-button Graphical User Interface (GUI) flow. Figure 10 illustrates the software flow model used when designing with the Reed-Solomon Encoder core.

**Figure 10. Lattice IP Core Implementation Flow**



## IPexpress™

The Lattice IP configuration tool, IPexpress, is incorporated in the ispLEVER® software. IPexpress includes a GUI for entering the required parameters to configure the core. For more information on using IPexpress and the ispLEVER design software, refer to the software help and tutorials included with ispLEVER. For more information on ispLEVER, see the Lattice web site at [www.latticesemi.com/software](http://www.latticesemi.com/software).

## Functional RTL Simulation Under ModelSim (PC Platform)

**Note:** The following procedures are shown using the ORCA® Series 4 version of the Reed-Solomon Decoder core. For other device versions, refer to the Readme release notes included in that evaluation package.

Once the Reed-Solomon Encoder core has been downloaded and unzipped to the designated directory, the core is ready for evaluation. The functional simulation of the RS Encoder core involved developing a verification environment that supports a very comprehensive test suite.

---

A simulation script file is provided in the “eval” directory for RTL simulation. The script file eval\_sim\_rsenc.do uses pre-compiled models provided with this package. The pre-compiled library of models is located in the directory reeds\_enco\_o4\_1\_00x/orca4/ver1.3/lib/modelsim/work.

**Simulation Procedures:**

1. Launch ModelSim
2. Using the main GUI, change the directory location:  
Select: File -> Change Directory -> reeds\_enco\_o4\_1\_00x/orca4/ver1.3/eval/simulation
3. Execute <Modelsim macro name>.do  
Select: Macro -> Execute Macro -> scripts/eval\_sim\_rsenc.do

The functional simulation for IP cores is currently not applicable with the OEM version of ModelSim embedded in the ispLEVER 3.0 software. For more information on how to use ModelSim, please refer to the ModelSim User's Manual.

**Core Implementation**

Users can instantiate the IP core to implement it into their system design. The following Verilog source files for Reed-Solomon Encoder core are provided:

- reeds\_enco\_o4\_1\_00x.v for the Reed-Solomon Encoder core-top RTL source
- top\_rsenc\_pll.v for top-level source

Users can use the core-top RTL as a black box to the system designs. All default signal names in the top-level RTL source file must be replaced with real signal names from the system design.

**Black Box Consideration**

Since the core is delivered as a gate-level netlist, the synthesis software will not re-synthesize the internal nets of the core. In the synthesis process, the instantiated core must be declared as a black box. The ispLEVER software automatically detects the provided netlist of the instantiated IP core in the design. For more detailed information regarding Synplify's black box declaration, please refer to the Instantiating Black Boxes in Verilog section of the Synplify reference manual.

The core implementation consists of synthesis and place and route sections. Each of the sections is described below.

Two synthesis tools, Synplicity® Synplify® and LeonardoSpectrum™, are included in the ispLEVER software for seamless processing of designs. The current IP cores are being tested with EDIF flow. The following are the step-by-step procedure for each synthesis tool to generate an EDIF netlist containing the IP core as a black box.

**Synthesis Using Synplicity Synplify**

The step-by-step procedure below describes how to run synthesis using Synplify outside the ispLEVER Project Navigator.

1. Create a new working directory for synthesis.
2. Launch the Synplify synthesis tool.
3. Start a new project and add the specified files in the following order:  
~/source/reeds\_enco\_o4\_1\_00x\_params.v  
~/source/orca4\_synplify.v  
~/source/pll\_orca.v  
~/source/reeds\_enco\_o4\_1\_00x.v  
~/source/<top-level RTL source>.v

Note: <top-level RTL source> could be the user's top-level design or the top-level source (top\_rsenc\_pll.v) file in the source directory of the downloaded package.

4. In the Implementation Options, select a target device 4E02, speed grade -2 and package BA352.
5. Specify an EDIF netlist filename and EDIF netlist output location in the Implementation Options. This top-level EDIF netlist will be used during place and route.
6. Be sure the IP core (reeds\_enco\_o4\_1\_00x) is instantiated inside top-level RTL source file.
7. In the Implementation Options, set the following:
  - Fanout guide: 500
  - Enable FSM compiler
  - Enable resource sharing
  - Set the global frequency constraint to 195MHz.
8. Select Run.

### Synthesis Using LeonardoSpectrum

The step-by-step procedure provided below describes how to run synthesis using LeonardoSpectrum outside the ispLEVER Project Navigator.

1. Create a new working directory for synthesis.
2. Launch the LeonardoSpectrum synthesis tool.
3. Start a new project and select Lattice device technology ORCA-4E.
4. Set the source directory as the working directory.
5. Open the specified files in the following order:
  - ~/source/reeds\_enco\_o4\_1\_00x\_params.v
  - ~/source/<top-level RTL source>.v
  - ~/source/pll\_orca.v
  - ~/source/reeds\_enco\_o4\_1\_00x.v

Note: <top-level RTL source> could be users' top-level design or the top-level source (top\_rsenc\_pll.v) file in the source directory of the downloaded package.
6. Set the synthesis directory, created in step 1, as the path where you would like to save the output netlist.
7. Specify an EDIF netlist filename for the output file. This top-level EDIF netlist will be used during place and route.
8. Be sure the IP core (reeds\_enco\_o4\_1\_00x) is instantiated inside top-level RTL source file.
9. Select Run Flow.

### Place and Route

Once the EDIF netlist is generated, the next step is to import the EDIF into the Project Navigator. The step-by-step procedure provided below describes how to perform place and route in ispLEVER for an ORCA® device:

1. Create a new working directory for place and route.
2. Start a new project, assign a project name and select the project type as EDIF.
3. Select an ORCA target device, with -2 speed grade and BA352 package.

4. Copy the following files to the place and route working directory:
  - a) ..\..\par\reeds\_enco\_o4\_1\_00x.ngo
  - b) ..\..\par\reeds\_enco\_o4\_1\_00x.prf
  - c) The top-level EDIF netlist generated from running synthesis
5. Rename the reeds\_enco\_o4\_1\_00x.prf file (in step 4) to match the project name. For example, if the project name is "demo", then the .prf file must be renamed to demo.prf. The preference file name must match that of the project name.
6. Import the EDIF netlist into the project.
7. In the ispLEVER Project Navigator, select Tools->Timing Checkpoint Options. The Timing Checkpoint Options window will pop-up. In both Checkpoint Options, select Continue.
8. In the ispLEVER Project Navigator, highlight Place & Route Design, with a right mouse click select Properties. Set the following Properties:
  - Placement Iterations: 1
  - Placement Save Best Run: 1
  - Placement Iteration Start Point: 20
  - Routing Resource Optimization: 5
  - Routing Delay Reduction Passes: 2
  - Routing Passes: 15
  - Placement Effort Level: 5

All other options remain at their default values. The properties shown above are the settings for OC192 mode. Each configuration has its own properties settings. For the appropriate settings for specific configuration, please refer to the readme.htm that located in the downloaded package.

9. Select the Place & Route Trace Report in the Project Navigator to execute Place and Route and generate a timing report for ORCA.
10. If the  $f_{MAX}$  for the core does not meet the required static timing, then proceed to step 11. Otherwise, jump to step 13.
11. Select the Cycle Stealing process in the Project Navigator.
12. Select the Place & Route Trace Report process again to generate a new timing report. The Timing Summary section should indicate no timing errors.
13. When you open the timing report, it is possible you might see some timing violations due to over-constraint. Do the following steps to obtain a correct timing report:
  - Copy the file post\_route\_trace.prf that is located in directory ~/reeds\_enco\_o4\_1\_00x/orca4/ver1.0/par to the place and route working directory in step 1.
  - Open a DOS-shell and change its directory to the working directory in step 1.
  - Type: trce -v 1 -c -o post\_route\_trace.twr <your project\_name>.ncd post\_route\_trace.prf
  - The new timing report is generated in post\_route\_trace.twr

## Technical Support Assistance

Hotline: 1-800-LATTICE (North America)  
+1-503-268-8001 (Outside North America)

e-mail: [techsupport@latticesemi.com](mailto:techsupport@latticesemi.com)

Internet: [www.latticesemi.com](http://www.latticesemi.com)

---

## Appendix for ORCA® Series 4 FPGAs

**Table 4. Performance and Utilization<sup>1</sup>**

Parameter File	Mode	ORCA 4 PFUs	LUTs	Registers	I/Os	sysMEM™ EBRs	f <sub>MAX</sub> (MHz)
reeds_enco_o4_1_001.lpc	OC192	58	210	194	24	N/A	168
reeds_enco_o4_1_002.lpc	CCSDS	88	327	323	24	N/A	156
reeds_enco_o4_1_003.lpc	DVB	58	201	194	24	N/A	167
reeds_enco_o4_1_004.lpc	ATSC	71	233	226	24	N/A	166

1. Performance and utilization characteristics for OR4E02-2BA352. When using other devices, performance may vary.

**Table 5. Parameters for Typical Configurations**

Name	CCSDS	DVB	ATSC	OC192
n	255	204	207	255
k	223	188	187	239
s	8	8	8	8
f	391	285	285	285
rootspace	11	1	1	1
gstart	112	0	0	0
inreg	1	1	1	1
latency	3	3	3	3
algorithm	1	1	1	1
handshake	0	0	0	0

### Supplied Netlist Configurations

The Ordering Part Number (OPN) for all configurations of the Reed-Solomon Encoder core targeting ORCA Series 4 devices is REEDS-ENCO-O4-N1. Table 4 lists the netlists that are available in the Evaluation Package, which can be downloaded from the Lattice web site at [www.latticesemi.com](http://www.latticesemi.com).

You can use the IPexpress software tool to help generate new configurations of this IP core. IPexpress is the Lattice IP configuration utility, and is included as a standard feature of the ispLEVER design tools. Details regarding the usage of IPexpress can be found in the IPexpress and ispLEVER help system. For more information on the ispLEVER design tools, visit the Lattice web site at: [www.latticesemi.com/software](http://www.latticesemi.com/software).

## Appendix for ispXPGA® FPGAs

**Table 6. Performance and Resource Utilization<sup>1</sup>**

Parameter File	Mode	ispXPGA PFUs	LUTs	Registers	I/Os	sysMEM EBRs	f <sub>MAX</sub> (MHz)
reeds_enco_xp_1_001.lpc	OC192	86	273	248	24	N/A	166
reeds_enco_xp_1_002.lpc	CCSDS	161	504	457	24	N/A	149
reeds_enco_xp_1_003.lpc	DVB	84	273	240	24	N/A	155
reeds_enco_xp_1_004.lpc	ATSC	130	417	307	24	N/A	157

1. Performance and utilization characteristics are generated using LFX125B-04F256C in Lattice ispLEVER® v.3.x software. The evaluation version of this IP core only works on this specific device density, package, and speed grade.

**Table 7. Parameters for Typical Configurations**

Name	CCSDS	DVB	ATSC	OC192
n	225	204	207	255
k	223	188	187	239
s	8	8	8	8
f	391	285	285	285
rootspace	11	1	1	1
gstart	112	0	0	0
inreg	1	1	1	1
latency	3	3	3	3
algorithm	1	1	1	1
handshake	0	0	0	0

### Supplied Netlist Configurations

The Ordering Part Number (OPN) for all configurations of the Reed-Solomon Encoder core targeting ispXPGA devices is REEDS-ENCO-XP-N1. Table 6 lists the netlists that are available in the Evaluation Package, which can be downloaded from the Lattice web site at [www.latticesemi.com](http://www.latticesemi.com).

You can use the IPexpress software tool to help generate new configurations of this IP core. IPexpress is the Lattice IP configuration utility, and is included as a standard feature of the ispLEVER design tools. Details regarding the usage of IPexpress can be found in the IPexpress and ispLEVER help system. For more information on the ispLEVER design tools, visit the Lattice web site at: [www.latticesemi.com/software](http://www.latticesemi.com/software).

## Appendix for LatticeECP™ and LatticeEC™ FPGAs

**Table 8. Performance and Resource Utilization<sup>1</sup>**

Parameter File	Mode	SLICES	LUTs	Registers	I/Os	sysMEM EBRs	f <sub>MAX</sub> (MHz)
reeds_enco_e2_1_001.lpc	OC192	147	252	217	24	N/A	206
reeds_enco_e2_1_002.lpc	CCSDS	280	460	413	24	N/A	194
reeds_enco_e2_1_003.lpc	DVB	149	253	220	24	N/A	205
reeds_enco_e2_1_004.lpc	ATSC	196	320	279	24	N/A	201

1. Performance and utilization characteristics are generated using LFEC20E-5F672C in Lattice's ispLEVER v.4.1 software. When using this IP core in a different device, density, package, or speed grade, performance may vary.

**Table 9. Parameters for Typical Configurations**

Name	CCSDS	DVB	ATSC	OC192
n	255	204	207	255
k	223	188	187	239
s	8	8	8	8
f	391	285	285	285
rootSPACE	11	1	1	1
gstart	112	0	0	0
inreg	1	1	1	1
latency	3	3	3	3
algorithm	1	1	1	1
handshake	0	0	0	0

### Supplied Netlist Configurations

The Ordering Part Number (OPN) for all configurations of the Reed-Solomon Encoder core targeting LatticeECP/EC devices is REEDS-ENCO-E2-N1. Table 8 lists the netlists that are available in the Evaluation Package, which can be downloaded from the Lattice web site at [www.latticesemi.com](http://www.latticesemi.com).

You can use the IPexpress software tool to help generate new configurations of this IP core. IPexpress is the Lattice IP configuration utility, and is included as a standard feature of the ispLEVER design tools. Details regarding the usage of IPexpress can be found in the IPexpress and ispLEVER help system. For more information on the ispLEVER design tools, visit the Lattice web site at: [www.latticesemi.com/software](http://www.latticesemi.com/software).

# Mouser Electronics

Authorized Distributor

Click to View Pricing, Inventory, Delivery & Lifecycle Information:

Lattice:

[REEDS-ENCO-E2-N1](#) [REEDS-ENCO-O4-N1](#) [REEDS-ENCO-XP-N1](#)





Компания «ЭлектроПласт» предлагает заключение долгосрочных отношений при поставках импортных электронных компонентов на взаимовыгодных условиях!

Наши преимущества:

- Оперативные поставки широкого спектра электронных компонентов отечественного и импортного производства напрямую от производителей и с крупнейших мировых складов;
- Поставка более 17-ти миллионов наименований электронных компонентов;
- Поставка сложных, дефицитных, либо снятых с производства позиций;
- Оперативные сроки поставки под заказ (от 5 рабочих дней);
- Экспресс доставка в любую точку России;
- Техническая поддержка проекта, помощь в подборе аналогов, поставка прототипов;
- Система менеджмента качества сертифицирована по Международному стандарту ISO 9001;
- Лицензия ФСБ на осуществление работ с использованием сведений, составляющих государственную тайну;
- Поставка специализированных компонентов (Xilinx, Altera, Analog Devices, Intersil, Interpoint, Microsemi, Aeroflex, Peregrine, Syfer, Eurofarad, Texas Instrument, Miteq, Cobham, E2V, MA-COM, Hittite, Mini-Circuits, General Dynamics и др.);

Помимо этого, одним из направлений компании «ЭлектроПласт» является направление «Источники питания». Мы предлагаем Вам помощь Конструкторского отдела:

- Подбор оптимального решения, техническое обоснование при выборе компонента;
- Подбор аналогов;
- Консультации по применению компонента;
- Поставка образцов и прототипов;
- Техническая поддержка проекта;
- Защита от снятия компонента с производства.



#### Как с нами связаться

**Телефон:** 8 (812) 309 58 32 (многоканальный)

**Факс:** 8 (812) 320-02-42

**Электронная почта:** [org@eplast1.ru](mailto:org@eplast1.ru)

**Адрес:** 198099, г. Санкт-Петербург, ул. Калинина, дом 2, корпус 4, литера А.