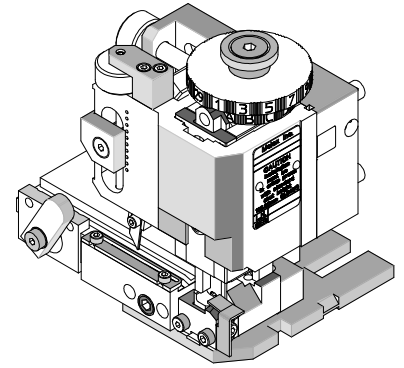




FineAdjust Applicator Specification Sheet Order No. 63900-8300



FEATURES

- Directly adapts to most automatic wire processing machines
- Quick punch removal with the push of a button for fast and easy tooling change
- Applicator designed to industry standard mounting and shut height 135.80mm (5.346")
- Quick set-up time; plus the crimp height, track and feed adjustments can be set without removing the applicator from the press
- Fine adjustment allows users to achieve target with little effort by adjusting in increments of .015mm (.0006") for conductor crimp height and .063mm (.0025") for insulation height
- Independent adjustment rings allow users to quickly adjust the conductor or insulation crimp height without affecting each other

SCOPE

Products: MX150L™ Male Terminal for 18-24 AWG Wire, Metal Strip Carrier.

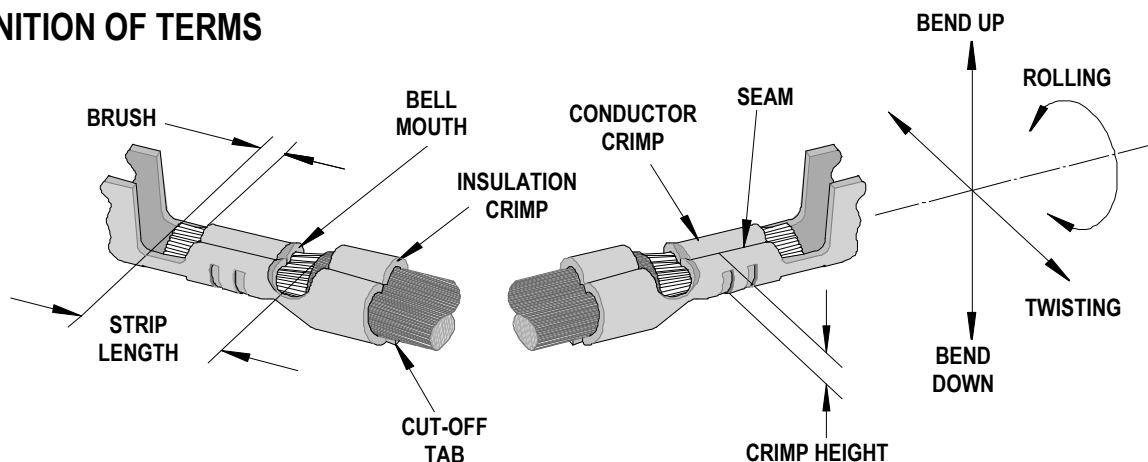
Series No.	Terminal Order No.		Wire Size		Insulation Diameter		Strip Length	
			AWG	mm ²	mm	In.	mm	In.
19417	19417-0024	Male (Tin)	18-22	0.83-0.36	2.36-2.74	.093-.108	4.20-5.00	.165-.197
	19417-0026	Male (Gold)	18-22	0.83-0.36	2.36-2.74	.093-.108	4.20-5.00	.165-.197
	19417-0028	Male (Tin) Long	18-22	0.83-0.36	2.36-2.74	.093-.108	4.20-5.00	.165-.197
	19417-0030	Male (Gold) Long	18-22	0.83-0.36	2.36-2.74	.093-.108	4.20-5.00	.165-.197
	19417-0024	Male (Tin)	24	0.20	1.00 Nom.	.039 Nom.	4.20-5.00	.165-.197
	19417-0026	Male (Gold)	24	0.20	1.00 Nom.	.039 Nom.	4.20-5.00	.165-.197
	19417-0028	Male (Tin) Long	24	0.20	1.00 Nom.	.039 Nom.	4.20-5.00	.165-.197
	19417-0030	Male (Gold) Long	24	0.20	1.00 Nom.	.039 Nom.	4.20-5.00	.165-.197

Note: Terminals will accommodate the following wire specification:

1. (18-22 AWG) UL1015 wires.
2. (24 AWG) UL20251 wire.

For 24 AWG wire, see Tool Qualification Notes, Item 2 on page 2.

DEFINITION OF TERMS



The above terminal drawing is a generic terminal representation. It is not an image of a terminal listed in the scope.

CRIMP SPECIFICATION

Terminal Series No.	Bell mouth		Cut-off Tab Maximum		Conductor Brush	
	mm	In.	mm	In.	mm	In.
19417	0.25-1.25	.010-.049	0.50	.020	0.15-0.65	.006-.026

Terminal Series No.	Bend up	Bend down	Twist	Roll	Punch Width mm (Ref)				Seam Seam shall not be open and no wire allowed out of the crimping area
	Degree				Degree		Conductor		
	mm	In	mm	In	mm	In	mm	In	
19417	5	5	4	8	2.10	.082	3.40	.133	

After crimping, the conductor profile should measure the following.

Terminal Order No.	Wire Size		Conductor Crimp Height		Insulation Crimp Height Maximum		Pull Force Minimum	
	AWG	mm ²	mm	In.	Mm (Ref)	In. (Ref)	N	Lb.
19417-0024	18	0.83	1.35-1.45	.053-.057	3.00	.118.	89.0	20.00
	20	0.58	1.25-1.35	.049-.053	3.00	.118.	57.9	13.00
	22	0.36	1.15-1.25	.045-.049	3.00	.118.	35.6	8.00
	24	0.20	1.05-1.15	.041-.045	3.00	.118.	22.2	5.00
19417-0026	18	0.83	1.35-1.45	.053-.057	3.00	.118.	89.0	20.00
	20	0.58	1.25-1.35	.049-.053	3.00	.118.	57.9	13.00
	22	0.36	1.15-1.25	.045-.049	3.00	.118.	35.6	8.00
	24	0.20	1.05-1.15	.041-.045	3.00	.118.	22.2	5.00
19417-0028	18	0.83	1.35-1.45	.053-.057	3.00	.118.	89.0	20.00
	20	0.58	1.25-1.35	.049-.053	3.00	.118.	57.9	13.00
	22	0.36	1.15-1.25	.045-.049	3.00	.118.	35.6	8.00
	24	0.20	1.05-1.15	.041-.045	3.00	.118.	22.2	5.00
19417-0030	18	0.83	1.35-1.45	.053-.057	3.00	.118.	89.0	20.00
	20	0.58	1.25-1.35	.049-.053	3.00	.118.	57.9	13.00
	22	0.36	1.15-1.25	.045-.049	3.00	.118.	35.6	8.00
	24	0.20	1.05-1.15	.041-.045	3.00	.118.	22.2	5.00

Pull Force should be measured with no influence from the insulation crimp.
The above specifications are guidelines to an optimum crimp.

***Tool Qualification Notes:**

1. This Applicator was qualified to the above specifications with UL1015 wires for 18-22 AWG and UL20251 wire for 24 AWG.
2. For the 24 AWG wire, the insulation crimp has clearance around the wire and does not provide strain relief, even at the nominal reference crimp height of 2.11mm (.083").

PARTS LIST

FineAdjust Applicator 63900-8300				
Item	Order No	Engineering No.	Description	Quantity
Perishable Tooling				
	63900-8370	63900-8370	Tool Kit (All "Y" Items)	REF
1	63444-2137	63444-2137	Conductor Punch	1 Y
2	63445-2162	63445-2162	Conductor Anvil	1 Y
3	63454-0022	63454-0022	Insulation Punch	1 Y
4	63445-3440	63445-3440	Insulation Anvil	1 Y
5	63443-0035	63443-0035	Front Cut-Off Plunger	1 Y
6	63443-0036	63443-0036	Front Plunger Retainer	1 Y
Other Components				
7	11-18-4083	60707-8	Feed Guide	1
8	63443-0009	63443-0009	Front Scrap Chute	1
9	63443-0024	63443-0024	Key	1
10	63443-0090	63443-0090	Wire Stop	1
11	63443-1712	63443-1712	18.20mm Height Spacer	1
12	63443-2205	63443-2205	5.00mm Fine Spacer	1
13	63443-2209	63443-2209	9.00mm Coarse Spacer	1
14	63443-2312	63443-2312	3.60mm Fine Spacer	1
15	63443-3160	63443-3160	Front Plunger Striker	1
16	63443-6121	63443-6121	Rear Cover	1
17	63700-0539	63700-0539	Cut-Off Plunger Spring	1
Frame				
18	63800-4901	63800-4901	Top	1
19	63801-3281	63801-3281	Base	1
20	63801-4650	63801-4650	Track	1
Hardware				
21	N/A	N/A	M3 by 6 Long SHCS	2**
22	N/A	N/A	M3 by 6 Long FHCS	1**
23	N/A	N/A	M4 by 6 Long SHCS	2**
24	N/A	N/A	M4 by 12 Long BHCS	2**
25	N/A	N/A	M4 by 50 Long SHCS	2**
26	N/A	N/A	M5 by 12 Long SHCS	1**
27	N/A	N/A	#10-32 by 3/8" Long Flat Point SSS	1**
28	N/A	N/A	#10-32 Hex Jam Nut	1**
** Available from an industrial supply company such as MSC (1-800-645-7270).				

Assembly Drawing

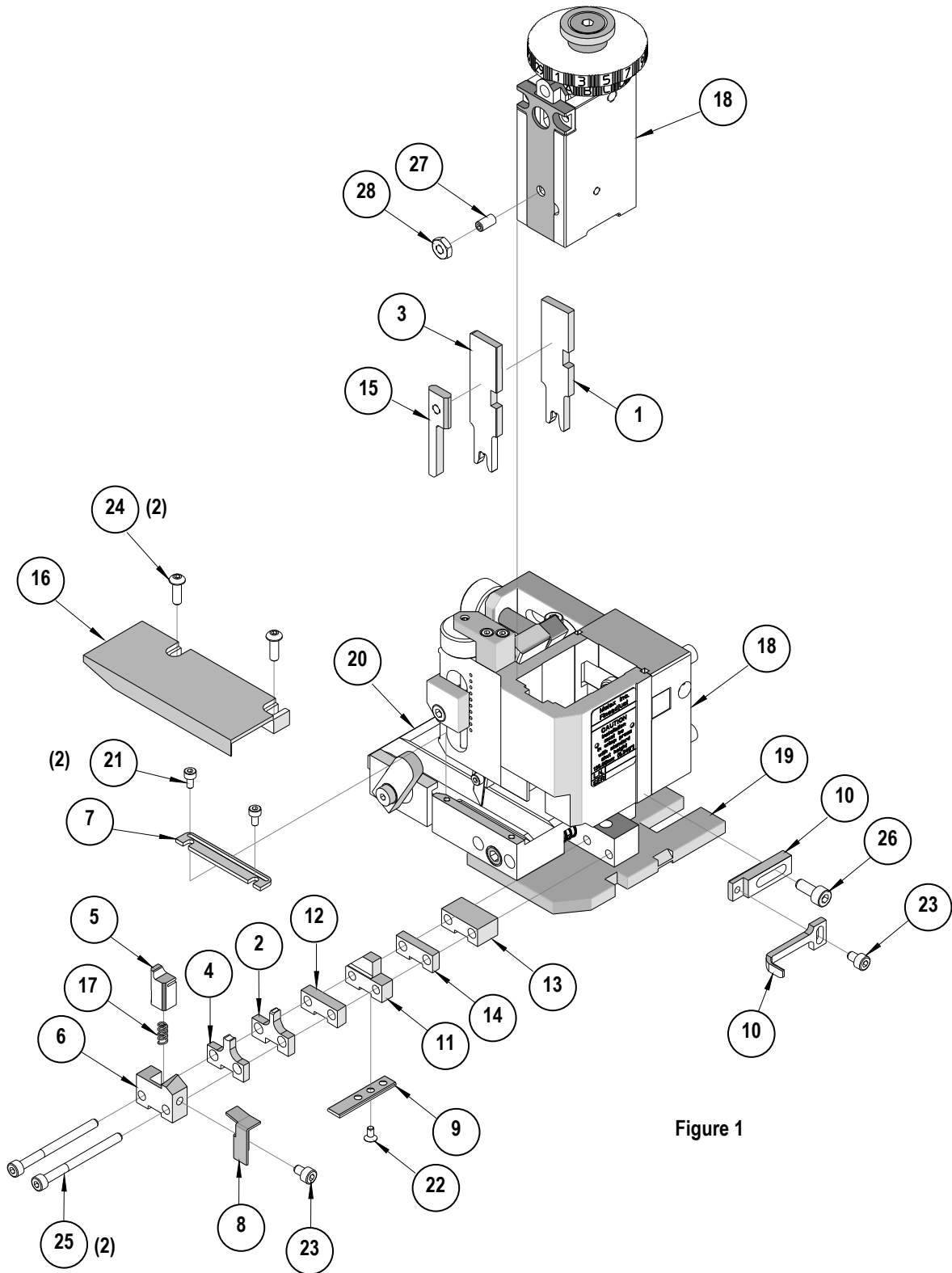


Figure 1

NOTES

1. Molex recommends an extra perishable tooling kit be maintained at your facility.
2. Verify tooling alignment by manually cycling the press and Applicator before crimping under power. Check that all screws are tight.
3. Slugs, Terminals, Dirt and Oil should be kept clear of work area.
4. Wear safety glasses at all times.
5. For recommended maintenance refer to the FineAdjust Manual.

CAUTION: This applicator should only be used in a press with a shut height of 135.8mm (5.346"). Tooling damage could result at a lower setting.

CAUTION: To prevent injury never operate this Applicator without the guards supplied with the press or wire-processing machine in place. Reference the press or wire processing manufacturer's instruction manual.

CAUTION: Molex crimp specifications are valid only when used with Molex terminals, applicators and tooling.

Americas Headquarters
Lisle, Illinois 60532 U.S.A.
1-800-78MOLEX
amerinfo@molex.com

Far East North Headquarters
Yamato, Kanagawa, Japan
81-462-65-2324
feninfo@molex.com

Far East South Headquarters
Jurong, Singapore
65-6-268-6868
fesinfo@molex.com

European Headquarters
Munich, Germany
49-89-413092-0
eurinfo@molex.com

Corporate Headquarters
2222 Wellington Ct.
Lisle, IL 60532 U.S.A.
630-969-4550
Fax: 630-969-1352

Visit our Web site at <http://www.molex.com>



Компания «ЭлектроПласт» предлагает заключение долгосрочных отношений при поставках импортных электронных компонентов на взаимовыгодных условиях!

Наши преимущества:

- Оперативные поставки широкого спектра электронных компонентов отечественного и импортного производства напрямую от производителей и с крупнейших мировых складов;
- Поставка более 17-ти миллионов наименований электронных компонентов;
- Поставка сложных, дефицитных, либо снятых с производства позиций;
- Оперативные сроки поставки под заказ (от 5 рабочих дней);
- Экспресс доставка в любую точку России;
- Техническая поддержка проекта, помощь в подборе аналогов, поставка прототипов;
- Система менеджмента качества сертифицирована по Международному стандарту ISO 9001;
- Лицензия ФСБ на осуществление работ с использованием сведений, составляющих государственную тайну;
- Поставка специализированных компонентов (Xilinx, Altera, Analog Devices, Intersil, Interpoint, Microsemi, Aeroflex, Peregrine, Syfer, Eurofarad, Texas Instrument, Miteq, Cobham, E2V, MA-COM, Hittite, Mini-Circuits, General Dynamics и др.);

Помимо этого, одним из направлений компании «ЭлектроПласт» является направление «Источники питания». Мы предлагаем Вам помощь Конструкторского отдела:

- Подбор оптимального решения, техническое обоснование при выборе компонента;
- Подбор аналогов;
- Консультации по применению компонента;
- Поставка образцов и прототипов;
- Техническая поддержка проекта;
- Защита от снятия компонента с производства.



Как с нами связаться

Телефон: 8 (812) 309 58 32 (многоканальный)

Факс: 8 (812) 320-02-42

Электронная почта: org@eplast1.ru

Адрес: 198099, г. Санкт-Петербург, ул. Калинина, дом 2, корпус 4, литера А.