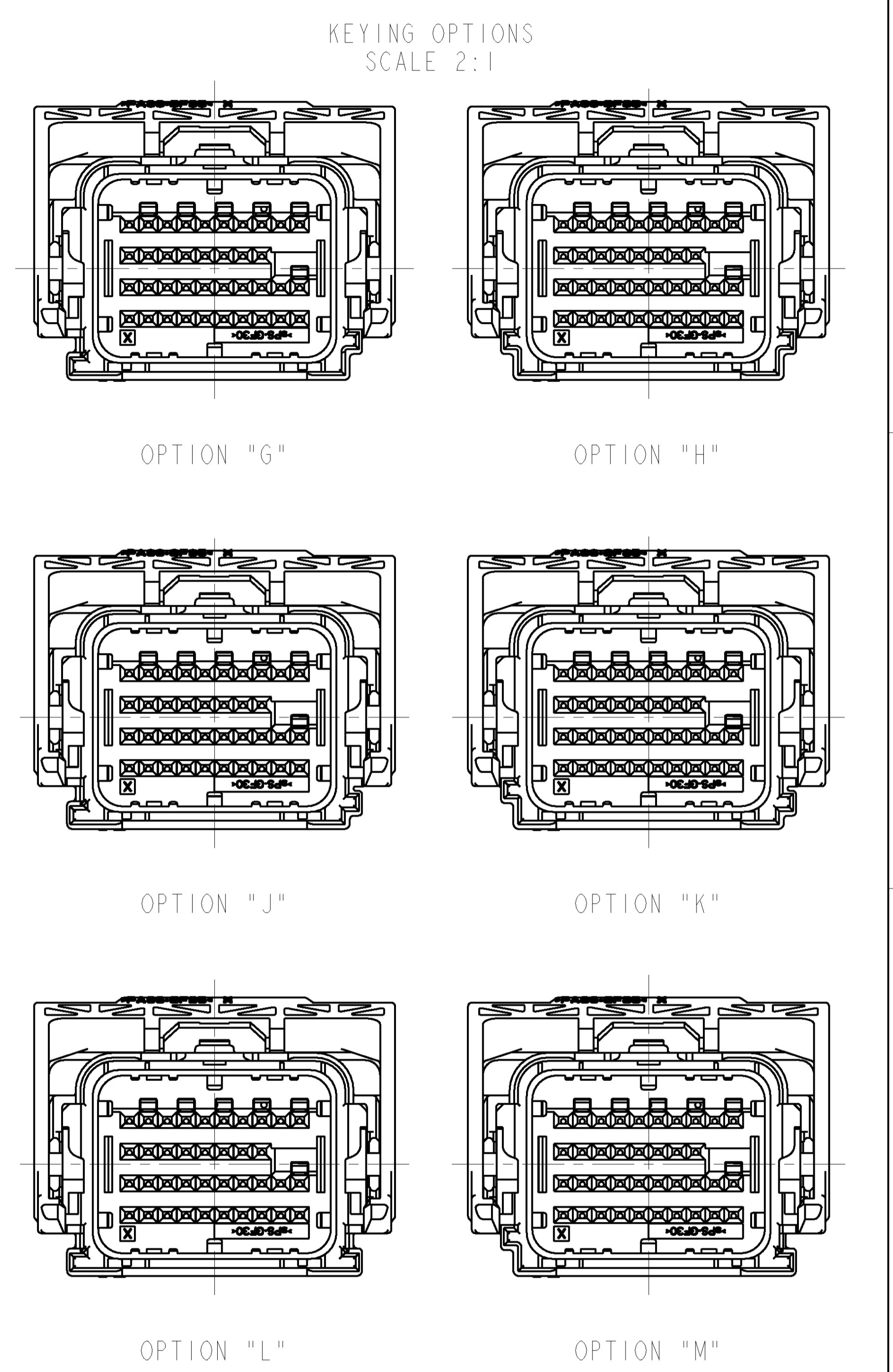
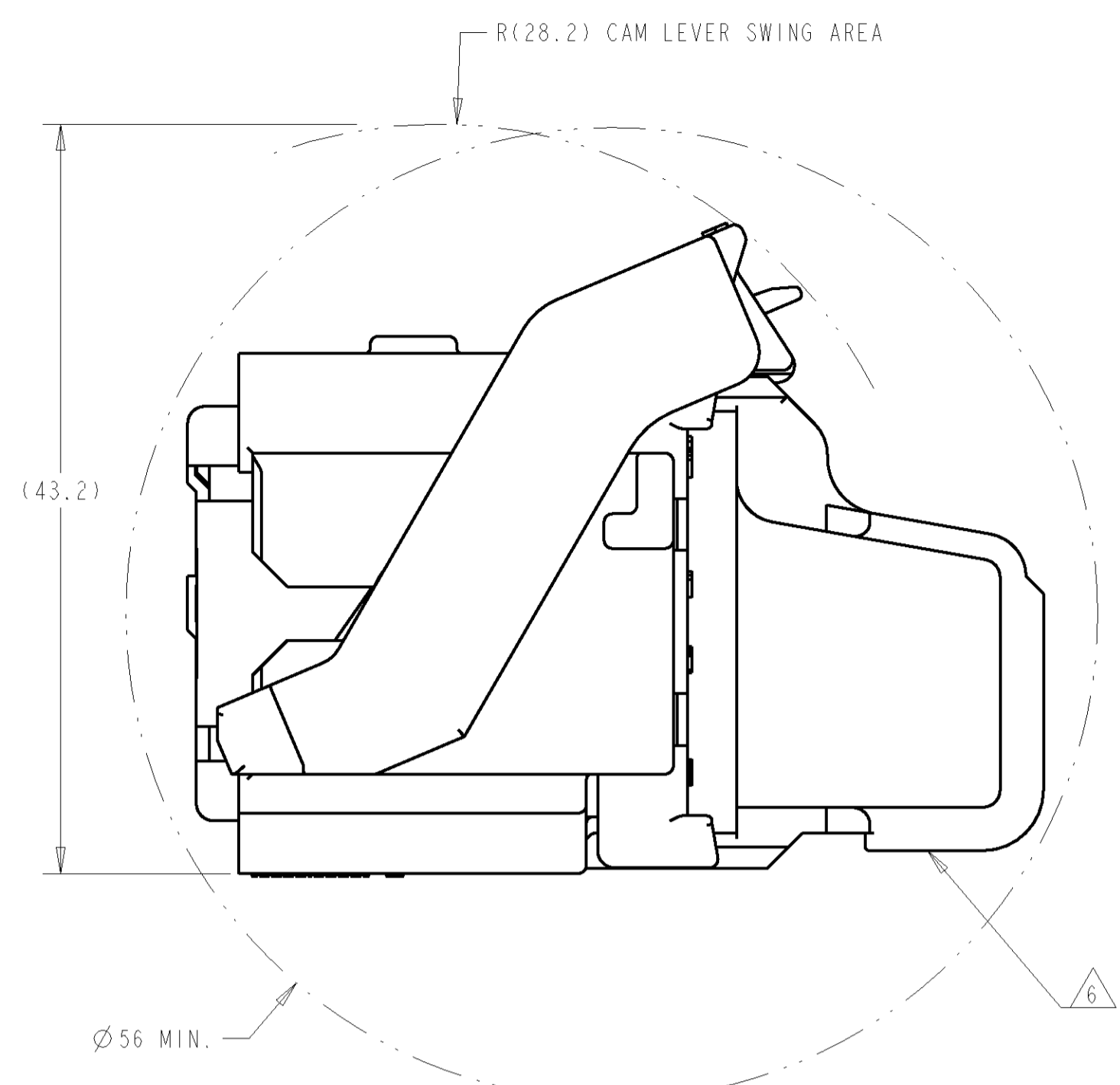
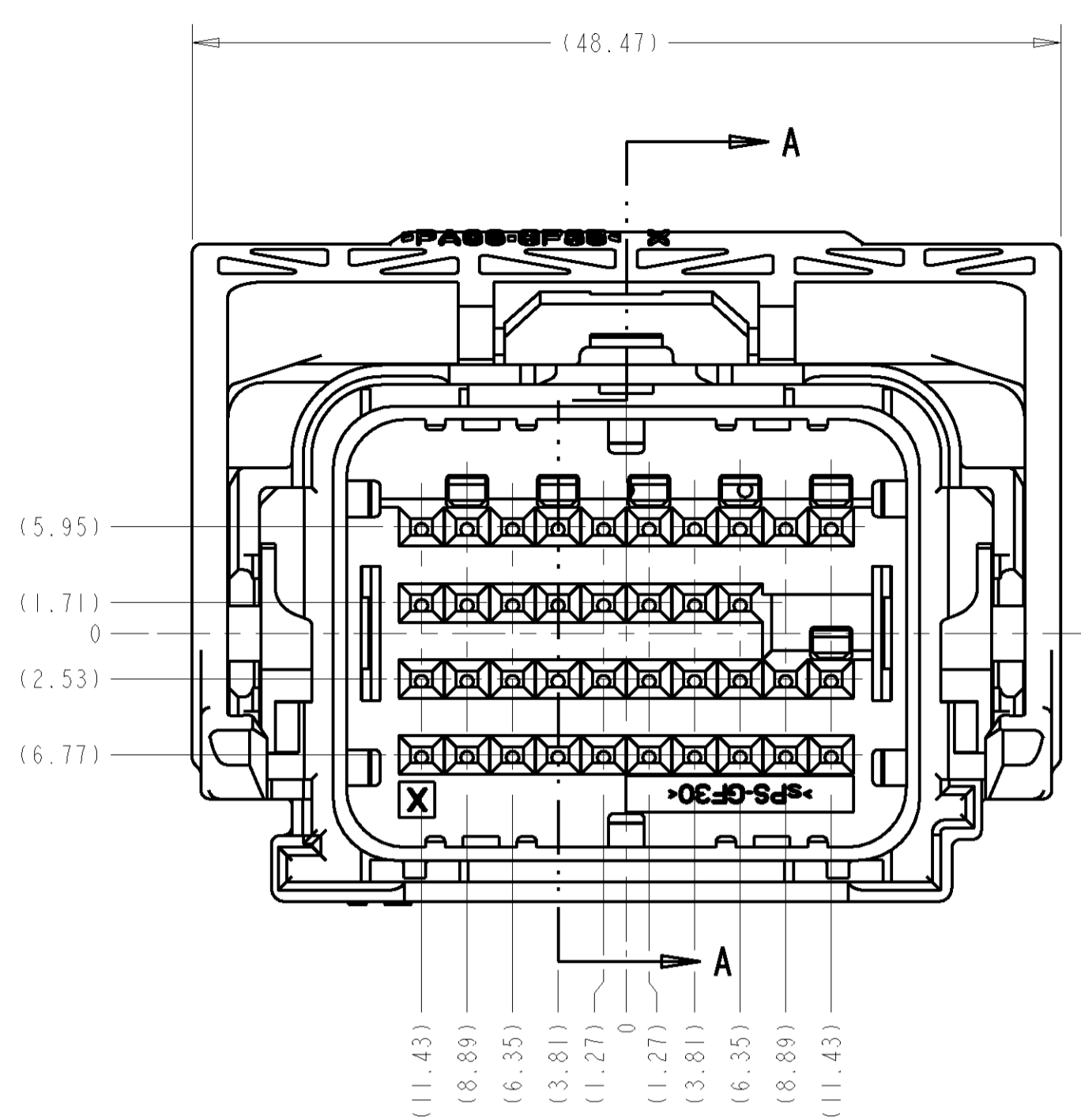
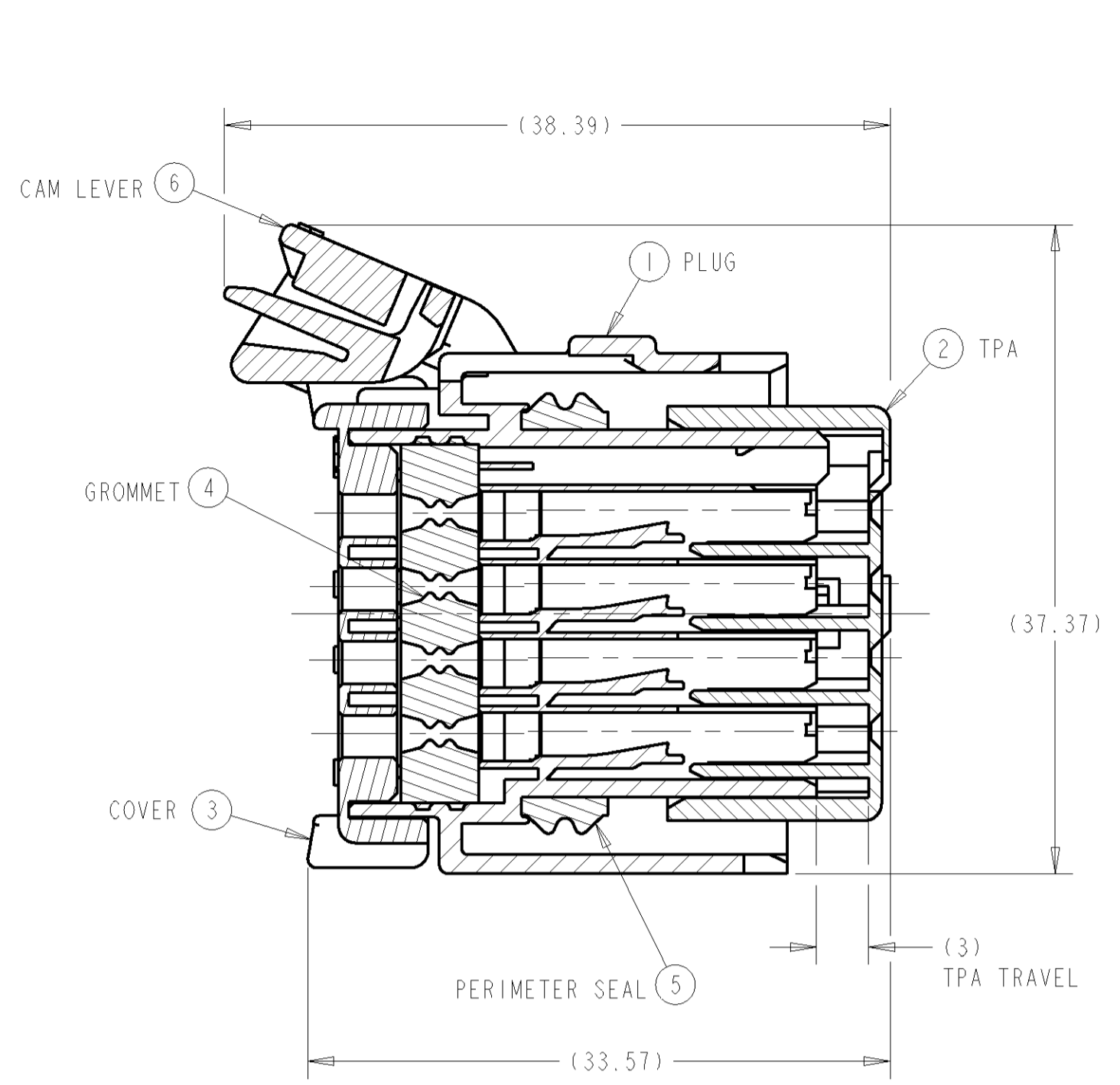
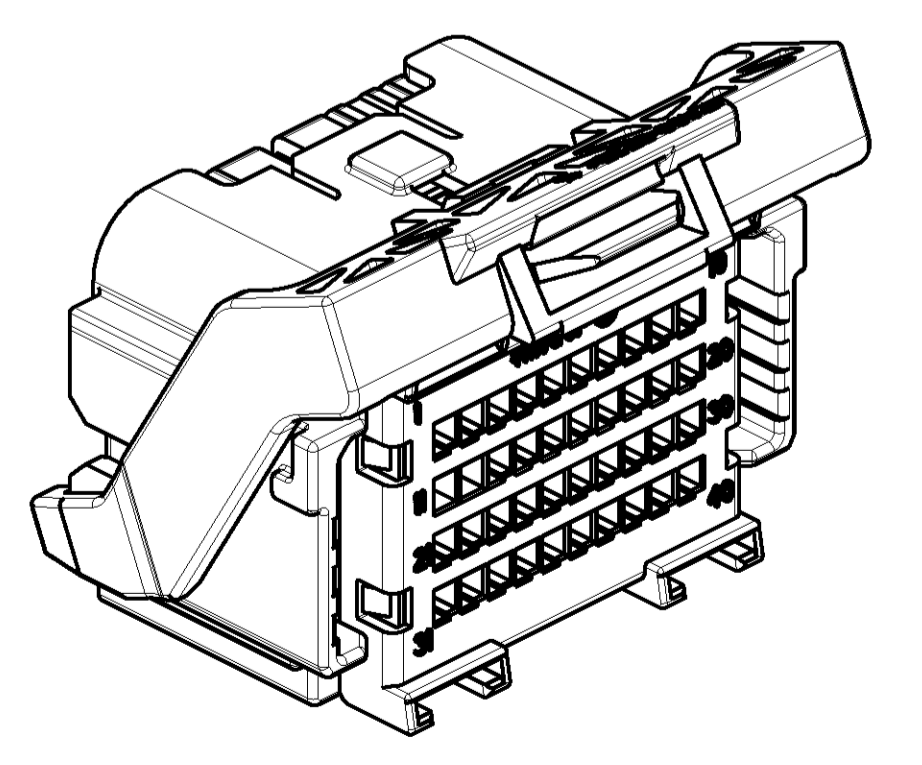
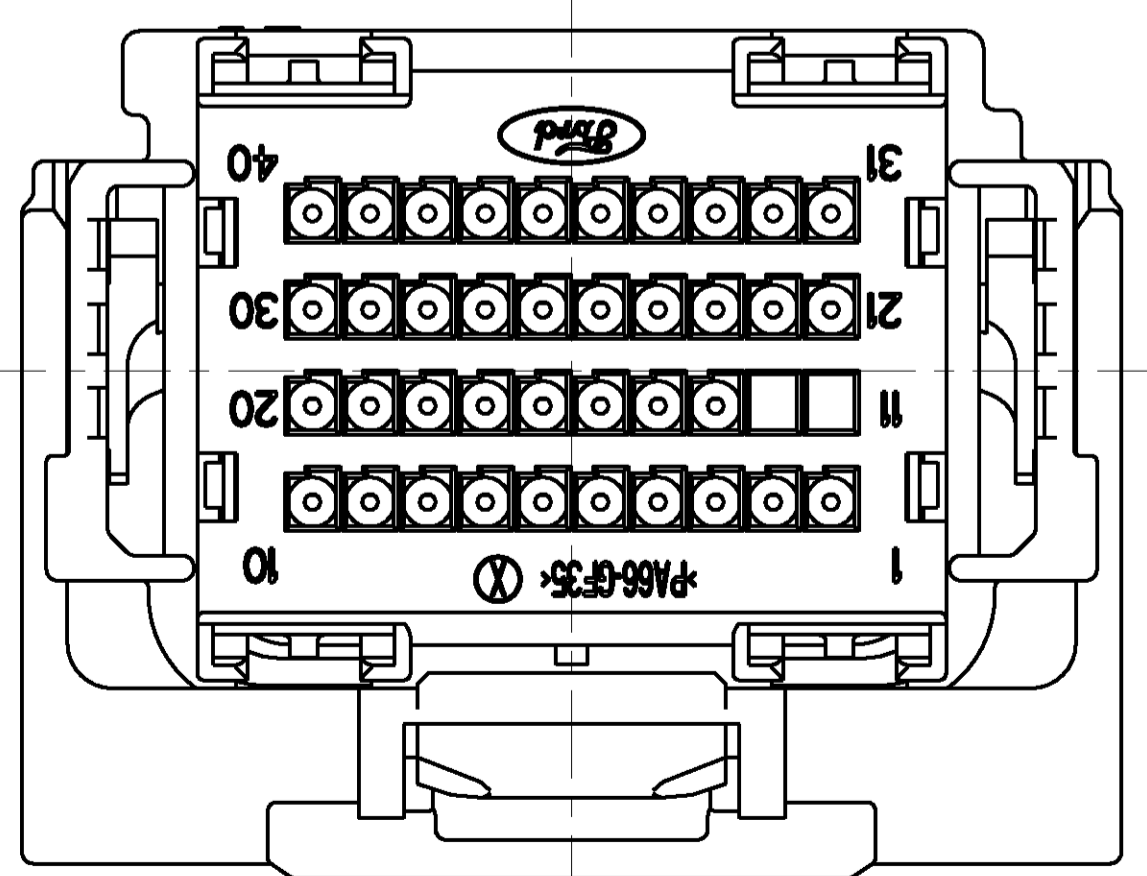
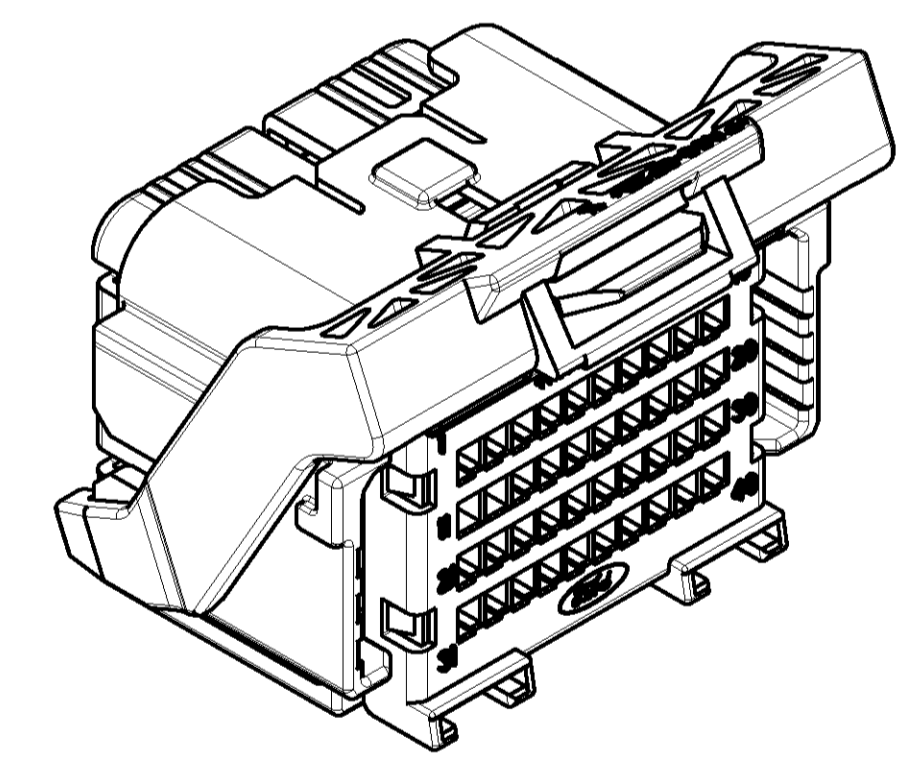
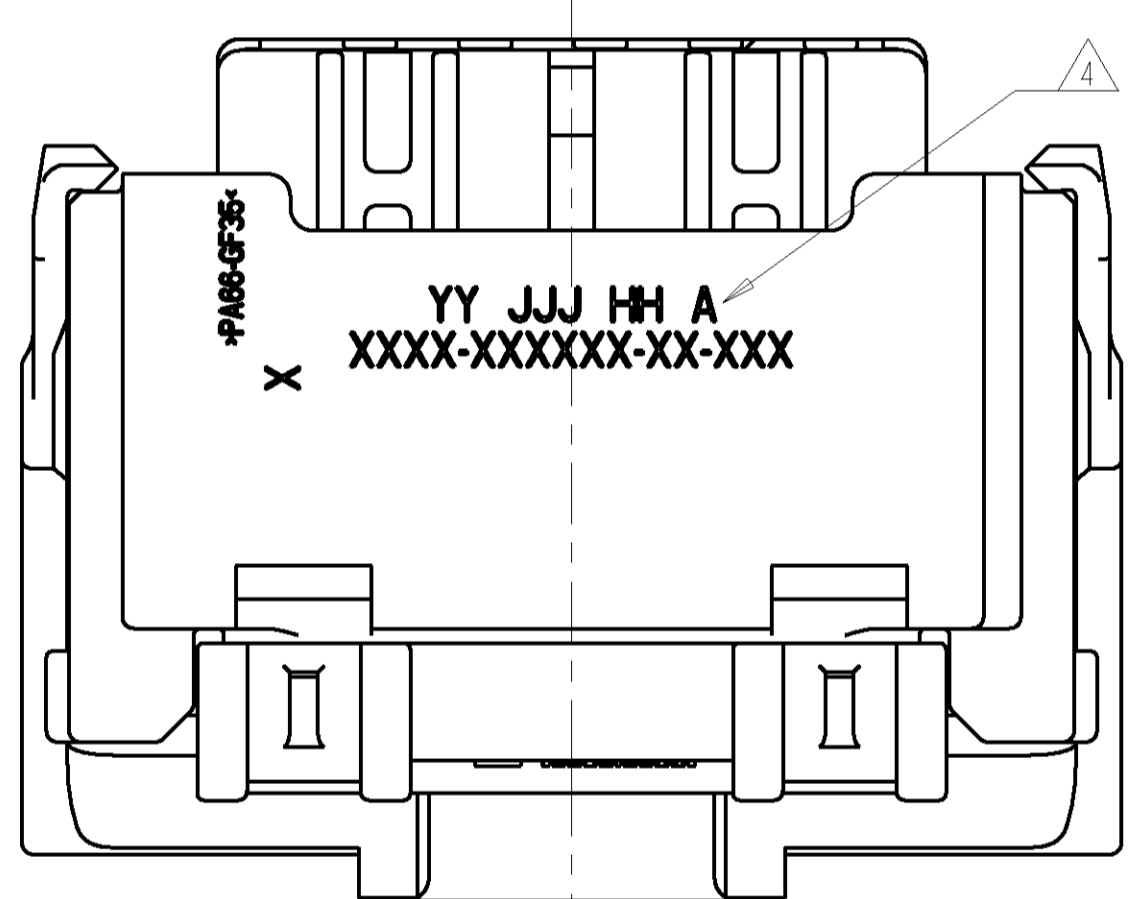
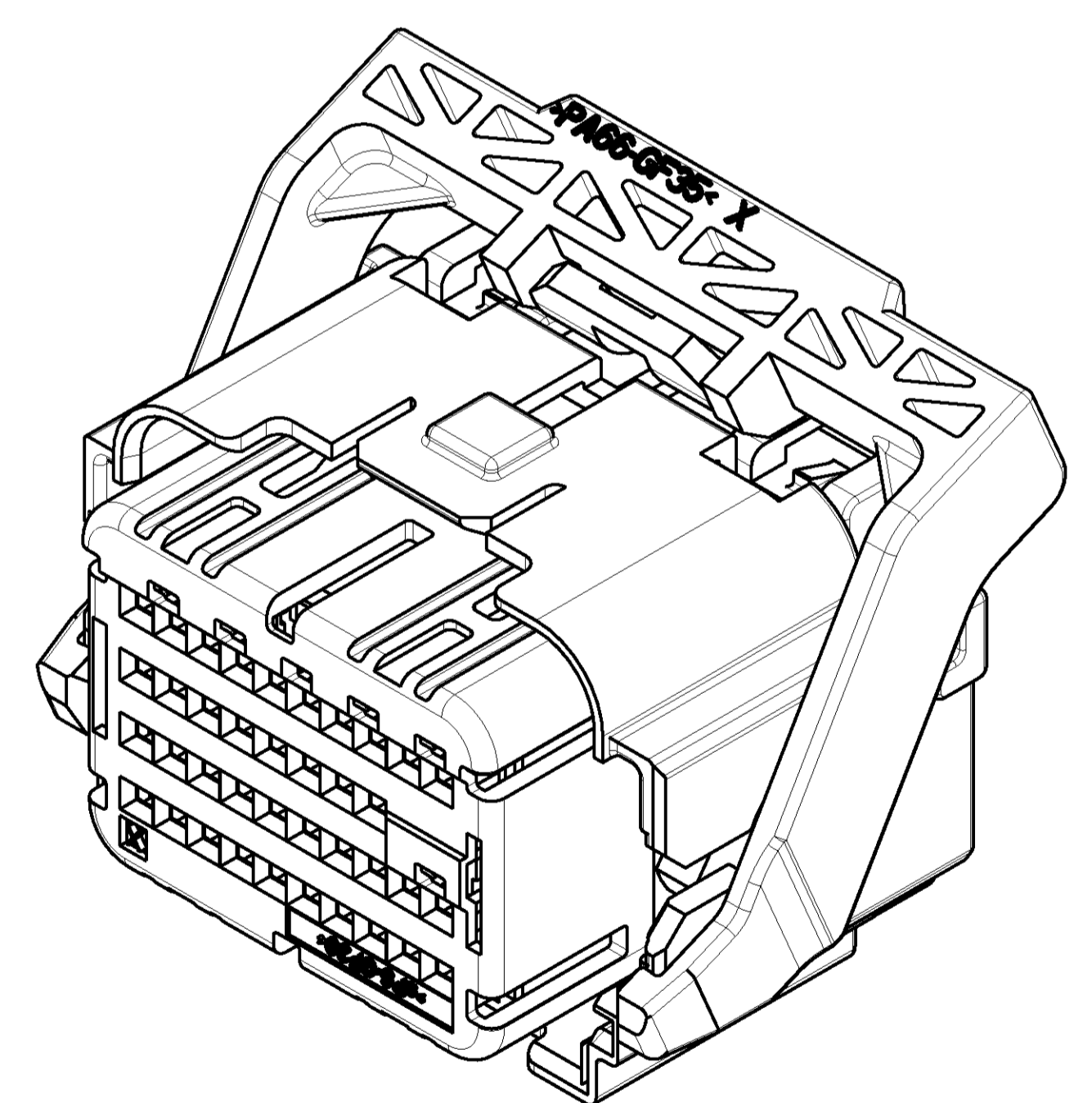


LOC	DIST	REVISIONS			
		P. LTR	DESCRIPTION	DATE	DWN APVD
FX	00	D1	REVISED PER ECR 07-029132	07JAN2008	DLD WTW
		E	REVISED PER ECR 07-030366	08JAN2008	DLD WTW
		F	REVISED PER ECO 08-006962	19MAR2008	DLD WTW



SECTION A-A
 SHOWN WITH CAM LEVER
 AND TPA IN THEIR
 PRE-LOADED POSITIONS
 (DELIVERY CONDITION)

MINIMUM FEED THROUGH CONDITION
 WITH 1mm CLEARANCE ALL AROUND
 SHOWN WITH OPTION WIRESHIELD
 TPA IS IN IT'S LOADED POSITION
 CAM LEVER IS IN IT'S PRE-LOADED POSITION



- NOTE(S):
- APPLICABLE TERMINAL PART NUMBERS (SOLD SEPARATELY):
 FOR TIN APPLICATIONS: 1393367 AND 1393366.
 FOR GOLD APPLICATIONS: 1393365 AND 1393364.
 FOR TERMINATION AND REELING OPTIONS
 SEE DRAWINGS 1393367, 1393366, 1393365, AND 1393364.
 - COMPATIBLE WIRE SIZES FOR MAT SEAL DESIGN 1.19 TO 2.06 O.D.
 (22-18 AWG, 0.35-0.75 mm²)
 - TPA AND CAM LEVER ARE SHIPPED IN THEIR PRE-LOADED POSITION.
 ALL ASSEMBLIES ARE TO BE TRAY PACKAGED.
 - CUSTOMER PART NUMBER AND TRACEABILITY CODE (YY = TWO DIGIT YEAR,
 JJJ = JULIAN DAY, HH = TWO DIGIT MILITARY HOUR, A=ASSEMBLY PROCESS
 USED) ARE PRINTED IN THIS LOCATION.
 - PART ASSEMBLY WEIGHT WITHOUT TERMINALS AND WITH STANDARD PIN-OUT
 CONFIGURATION IS 26.09 GRAMS.
 - OPTIONAL WIRESHIELD P/N 8-1419157-8 (SOLD SEPARATELY). PLEASE CONTACT
 YOUR TYCO ELECTRONICS SALES REPRESENTATIVE FOR AVAILABILITY AND PRICING.

KEYING OPTION "G" SHOWN
 SEE SHEET 2 FOR BILL OF MATERIALS
 AND SHEET 3, 4 AND 5 FOR PIN-OUT CHARTS

<small>THE INFORMATION CONTAINED HEREON IS UNCLASSIFIED EXCEPT WHERE SHOWN OTHERWISE. IT IS SUBJECT TO CHANGE AND WITHOUT WARRANTY. ENGINEERING INFORMATION SHOULD BE CONTACTED FOR THE LATEST NOTATION.</small>		DWN: A. HOLT 14NOV2006 CHK: W. WELLSKY 14NOV2006 APVD: W. WELLSKY 14NOV2006	Tyco Electronics Harrisburg, PA 17105-3608
DIMENSIONS: mm 	TOLERANCES UNLESS OTHERWISE SPECIFIED: 0 PLC ± 1 PLC ±0.3 2 PLC ±0.10 3 PLC ± 4 PLC ± ANGLES ± MAX	NAME: 40 WAY SHORTING BAR ARM WITHOUT SHORTING BARS LOADED SIZE: 00779 SCALE: 3:1	SHEET 1 OF 5 REV F
MATERIAL: SEE CHART ON SHEET 2	FINISH:	WEIGHT: SEE NOTE 5 CUSTOMER DRAWING	RESTRICTED TO:

LOC	DIST	REVISIONS			
		REV	DATE	BY	APPV
FX	00	-	SEE SHEET 1	-	-

ITEM	DESCRIPTION	MATERIAL	FINISH/COLOR
6	CAM LEVER	PA66 35% GF	GRAY
6	CAM LEVER WITH MODIFIED TAB	PA66 35% GF	GRAY
5	PERIMETER SEAL	SILICONE	GREEN
4	GROMMET	SILICONE	BROWN
3	COVER	PA66 35% GF	BLACK
2	TPA FOR SHORTING BAR APPLICATIONS	sPS 30% GF	NATURAL
1	PLUG WITH KEYING OPTION "H" AND 6 SHORTING BAR POSITIONS CONFIGURATION	PA66 35% GF	BLACK
1	PLUG WITH KEYING OPTION "G" AND 6 SHORTING BAR POSITIONS CONFIGURATION	PA66 35% GF	BLACK

QUANTITY

ITEM	DESCRIPTION	MATERIAL	FINISH/COLOR
6	CAM LEVER	PA66 35% GF	GRAY
6	CAM LEVER WITH MODIFIED TAB	PA66 35% GF	GRAY
5	PERIMETER SEAL	SILICONE	GREEN
4	GROMMET	SILICONE	BROWN
3	COVER	PA66 35% GF	BLACK
2	TPA FOR SHORTING BAR APPLICATIONS	sPS 30% GF	NATURAL
1	PLUG WITH KEYING OPTION "H" AND 6 SHORTING BAR POSITIONS CONFIGURATION	PA66 35% GF	BLACK
1	PLUG WITH KEYING OPTION "G" AND 6 SHORTING BAR POSITIONS CONFIGURATION	PA66 35% GF	BLACK

ITEM	DESCRIPTION	MATERIAL	FINISH/COLOR
6	CAM LEVER	PA66 35% GF	GRAY
6	CAM LEVER WITH MODIFIED TAB	PA66 35% GF	GRAY
5	PERIMETER SEAL	SILICONE	GREEN
4	GROMMET	SILICONE	BROWN
3	COVER	PA66 35% GF	BLACK
2	TPA FOR SHORTING BAR APPLICATIONS	sPS 30% GF	NATURAL
1	PLUG WITH KEYING OPTION "H" AND 6 SHORTING BAR POSITIONS CONFIGURATION	PA66 35% GF	BLACK
1	PLUG WITH KEYING OPTION "G" AND 6 SHORTING BAR POSITIONS CONFIGURATION	PA66 35% GF	BLACK

QUANTITY

ITEM	DESCRIPTION	MATERIAL	FINISH/COLOR
6	CAM LEVER	PA66 35% GF	GRAY
6	CAM LEVER WITH MODIFIED TAB	PA66 35% GF	GRAY
5	PERIMETER SEAL	SILICONE	GREEN
4	GROMMET	SILICONE	BROWN
3	COVER	PA66 35% GF	BLACK
2	TPA FOR SHORTING BAR APPLICATIONS	sPS 30% GF	NATURAL
1	PLUG WITH KEYING OPTION "H" AND 6 SHORTING BAR POSITIONS CONFIGURATION	PA66 35% GF	BLACK
1	PLUG WITH KEYING OPTION "G" AND 6 SHORTING BAR POSITIONS CONFIGURATION	PA66 35% GF	BLACK

DIMENSIONS: mm 		TOLERANCES UNLESS OTHERWISE SPECIFIED: 0 PLC #+ 1 PLC #+0.3 2 PLC #+0.10 3 PLC #+ 4 PLC #+ ANGLES #+ FINISH -		DWN A. HOLT 14NOV2006 CHK W. WELLINSKY 14NOV2006 APVD W. WELLINSKY 14NOV2006 NAME PRODUCT SPEC APPLICATION SPEC WEIGHT CUSTOMER DRAWING		Tyco Electronics Harrisburg, PA 17105-3608 40 WAY SHORTING BAR ARM PLUG ASSEMBLY WITHOUT SHORTING BARS LOADED SIZE CASE CODE DRAWING NO A1 00779 C=1924170 SHEET 2 OF 5 REV F	
-----------------------	--	------------------------------------------------------------------------------------------------------------------------------------	--	--------------------------------------------------------------------------------------------------------------------------------------------------------------	--	-------------------------------------------------------------------------------------------------------------------------------------------------------------------------------------------------------	--

LOC	DIST	REVISIONS			
		REV	DATE	BY	APPV
FX	00	-	SEE SHEET 1	-	-

PIN OUT CHART

BLANK CAVITIES INDICATE OPEN TERMINAL HOLE POSITIONS

CAVITIES WITH A NUMERIC SYMBOL INDICATE CLOSED TERMINAL HOLE POSITIONS


TERMINAL HOLE POSITION

1	2	3	4	5	6	7	8	9	10	11	12	13	14	15	16	17	18	19	20	21	22	23	24	25	26	27	28	29	30	31	32	33	34	35	36	37	38	39	40	ASSEMBLY PART NUMBER	KEYING OPTION						
											11	12																													0-1924170-1	G					
1	2	3	4	5	6	7	8	9	10	11	12	13	14	15	16	17	18			21	22																				0-1924170-2	G					
			3	4	5	6	7	8	9	10	11	12	13	14	15	16																										0-1924170-3	G				
							7	8	9	10	11	12	13	14	15	16																										0-1924170-4	G				
1	2	3	4	5	6	7	8	9	10	11	12	13	14	15	16					21	22																				0-1924170-5	G					
1	2	3	4	5	6	7	8	9	10	11	12	13	14																													0-1924170-6	G				
1	2	3	4	5	6	7	8	9	10	11	12	13	14																													0-1924170-7	G				
							7	8	9	10	11	12																															0-1924170-8	G			
			3	4	5	6	7	8	9	10	11	12																															0-1924170-9	G			
1	2	3	4	5	6	7	8	9	10	11	12	13	14	15	16																												1-1924170-0	G			
							7	8	9	10	11	12																																1-1924170-1	G		
1	2	3	4				7	8	9	10	11	12	13	14	15	16				21	22																						1-1924170-2	G			
1	2						7	8	9	10	11	12								21	22																							1-1924170-3	G		
			3	4	5	6	7	8	9	10	11	12	13	14	15	16	17	18																										1-1924170-4	G		
1	2	3	4				7	8	9	10	11	12	13	14	15	16	17	18			21	22																						1-1924170-5	G		
1	2						7	8	9	10	11	12								21	22																							1-1924170-6	G		
1	2	3	4	5	6	7	8	9	10	11	12	13	14	15	16	17	18			21	22	23	24	25	26	27	28	29	30	31	32	33	34	35	36	37	38	39	40			1-1924170-7	G				
			3	4	5	6	7	8	9	10	11	12	13	14	15	16	17	18																											1-1924170-8	G	
							7	8	9	10	11	12																																	1-1924170-9	G	
1	2	3	4	5	6	7	8	9	10	11	12	13	14	15	16	17	18			21	22	23	24	25	26	27	28	29	30														2-1924170-0	G			
1	2	3	4	5	6	7	8	9	10	11	12	13	14	15	16					21	22																							2-1924170-1	G		
							7	8	9	10	11	12	13	14	15	16																													2-1924170-2	G	
			3	4	5	6	7	8	9	10	11	12	13	14	15	16																													2-1924170-3	G	
1	2						7	8	9	10	11	12								21	22	23	24	25	26																		2-1924170-4	G			
1	2						7	8	9	10	11	12								21	22	23	24																					2-1924170-5	G		
							7	8	9	10	11	12	13	14	15	16	17	18																											2-1924170-6	G	
							7	8	9	10	11	12	13	14	15	16	17	18																											2-1924170-7	G	
							7	8	9	10	11	12	13	14	15	16	17	18																											2-1924170-8	G	
			3	4			7	8	9	10	11	12	13	14	15	16																													2-1924170-9	G	
							7	8	9	10	11	12																																	3-1924170-0	G	
1	2						7	8	9	10	11	12	13	14	15	16	17	18			21	22																						3-1924170-1	G		
1	2						7	8	9	10	11	12	13	14	15	16				21	22																								3-1924170-2	G	
1	2						7	8	9	10	11	12	13	14	15	16	17	18			21	22																							3-1924170-3	G	
1	2						7	8	9	10	11	12								21	22																								3-1924170-4	G	
1	2						7	8	9	10	11	12	13	14	15	16				21	22																								3-1924170-5	G	
1	2			5	6	7	8	9	10	11	12	13	14	15	16	17	18			21	22																							3-1924170-6	G		
1	2			5	6	7	8	9	10	11	12	13	14	15	16				21	22																								3-1924170-7	G		
1	2						7	8	9	10	11	12								21	22																								3-1924170-8	G	
1	2	3	4	5	6	7	8	9	10	11	12	13	14	15	16	17	18			21	22	23	24																					3-1924170-9	G		
							7	8	9	10	11	12																																		4-1924170-0	G
					5	6	7	8	9	10	11	12	13	14	15	16				19	20																							4-1924170-1	G		
1	2			5	6	7	8	9	10	11	12	13	14	15	16				21	22																									4-1924170-2	G	
1	2	3	4	5	6	7	8				11	12	13	14	15	16				19	20	21	22	23	24																				4-1924170-3	G	
1	2	3	4	5	6						11	12	13	14	15	16				21	22	23	24																						4-1924170-4	G	
1	2	3	4	5	6	7	8	9	10	11	12	13	14	15	16	17	18			21	22																								4-1924170-5	G	
1	2	3	4	5	6	7	8	9	10	11	12	13	14	15	16				21	22	23	24	25	26	27	28	29	30	31	32	33	34												4-1924170-6	G		
1	2		4		6	7	8	9	10	11	12	13	14	15	16	17	18			21	22	23	24																						4-1924170-7	G	
1	2	3	4	5	6	7	8	9	10	11	12	13	14	15	16				21	22																									4-1924170-8	G	
1	2	3	4	5	6	7	8	9	10	11	12	13	14	15	16	17	18			21	22	23	24																								

LOC	QTY	REV	DATE	BY	APPV
FX	00				

REVISIONS			
REV	DATE	DESCRIPTION	BY
-	-	SEE SHEET 1	-

PIN OUT CHART																																								ASSEMBLY PART NUMBER	KEYING OPTION																
BLANK CAVITIES INDICATE OPEN TERMINAL HOLE POSITIONS																																																									
CAVITIES WITH A NUMERIC SYMBOL INDICATE CLOSED TERMINAL HOLE POSITIONS																																																									
TERMINAL HOLE POSITION																																								ASSEMBLY PART NUMBER	KEYING OPTION																
1	2	3	4	5	6	7	8	9	10	11	12	13	14	15	16	17	18	19	20	21	22	23	24	25	26	27	28	29	30	31	32	33	34	35	36	37	38	39	40																		
				5	6	7	8	9	10	11	12	13	14	15	16									24			27	28	29	30							37	37	39	40	6-1924170-6	G															
			3	4	5	6	7	8	9	10	11	12	13	14	15	16	17	18					23	24		26										35	36	37	37	39	40	6-1924170-7	G														
			3	4	5	6	7	8	9	10	11	12	13	14	15	16							24			27	28	29	30							35	36	37	37	39	40	6-1924170-8	G														
			3	4	5	6	7	8	9	10	11	12	13	14	15	16							24			27	28	29	30							35	36	37	37	39	40	6-1924170-9	G														
1	2			5	6	7	8	9	10	11	12	13	14	15	16						21	22		24			27	28	29	30								37	38	39	40	7-1924170-0	G														
				5	6	7	8	9	10	11	12	13	14	15	16								24			27	28	29	30								35	36	37	38	39	40	7-1924170-1	G													
1	2					7	8	9	10	11	12	13	14	15	16						21	22		24			27	28	29	30							35	36	37	38	39	40	7-1924170-2	G													
1	2					7	8	9	10	11	12	13	14	15	16					21	22		24			27	28	29	30							35	36	37	38	39	40	7-1924170-3	G														
										11	12													24																				7-1924170-4	G												
1	2										11	12	13	14	15	16							24																					7-1924170-5	G												
												11	12									19	20		24																			7-1924170-7	G												
												11	12									19	20																						7-1924170-8	G											
						7	8	9	10	11	12										19	20		24																					7-1924170-9	G											
						7	8	9	10	11	12									19	20																									8-1924170-0	G										
						7	8	9	10	11	12																																				8-1924170-1	G									
										9	10	11	12																																			8-1924170-2	G								
				5	6	7	8	9	10	11	12	13	14	15	16																																8-1924170-3	G									
			3	4	5	6	7	8	9	10	11	12	13	14	15	16																																8-1924170-4	G								
			3	4	5	6	7	8	9	10	11	12	13	14	15	16																																8-1924170-5	G								
			3	4	5	6	7	8	9	10	11	12	13	14	15	16																																	8-1924170-6	G							
1	2					7	8	9	10	11	12																																						8-1924170-7	G							
1	2					7	8	9	10	11	12																																							8-1924170-8	G						
1	2	3	4			7	8	9	10	11	12																																							8-1924170-9	G						
1	2	3	4			7	8	9	10	11	12																																								9-1924170-0	G					
1	2	3	4	5	6	7	8	9	10	11	12	13	14	15	16																																				9-1924170-1	G					
			3	4	5	6																																														9-1924170-2	G				
						7	8	9	10	11	12																																										9-1924170-3	G			
											11	12																																										9-1924170-4	G		
			3	4	5	6																																															9-1924170-5	G			
1	2	3	4	5	6	7	8	9	10	11	12	13	14	15	16																																					9-1924170-6	G				
			3	4	5	6	7	8	9	10	11	12	13	14	15	16																																						9-1924170-7	G		
			3	4	5	6	7	8	9	10	11	12	13	14	15	16																																						9-1924170-8	G		
			3	4	5	6	7	8	9	10	11	12	13	14	15	16																																						9-1924170-9	G		
						7	8	9	10	11	12	13	14	15	16																																									0-1924171-1	G
											11	12																																											0-1924171-2	G	
			3	4	5	6	7	8	9	10	11	12																																									0-1924171-3	G			
						7	8	9	10	11	12																																											0-1924171-4	G		
											11	12																																											0-1924171-5	G	
1	2	3	4	5	6	7	8	9	10	11	12	13	14	15	16																																						0-1924171-6	G			
						7	8	9	10	11	12																																												0-1924171-7	G	
											11	12	13	14	15	16																																							0-1924171-8	G	
1	2	3	4	5	6	7	8	9	10	11	12	13	14	15	16																																						0-1924171-9	G			
1	2	3	4	5	6	7	8	9	10	11	12	13	14	15	16																																							1-1924171-0	G		

DIMENSIONS: mm 		TOLERANCES UNLESS OTHERWISE SPECIFIED: 0 PLC ±0.3 1 PLC ±0.10 2 PLC ±0.10 3 PLC ±0.10 4 PLC ±0.10 ANGLES ±0.5° FINISH -		DWN A. HOLT 14NOV2006 CHK W. WELLINSKY 14NOV2006 APVD W. WELLINSKY 14NOV2006		Tyco Electronics Harrisburg, PA 17105-3608	
MATERIAL SEE CHART ON SHEET 2		WEIGHT -		SIZE CASE CODE DRAWING NO A 00779 C=1924170		RESTRICTED TO CUSTOMER DRAWING	
SCALE 3:1		SHEET 4 OF 5		REV F		NAME 40 WAY SHORTING BAR ARM PLUG ASSEMBLY WITHOUT SHORTING BARS LOADED	

LOC	QTY	REV	DATE	BY	APPV
FX	00				

PIN OUT CHART

BLANK CAVITIES INDICATE OPEN TERMINAL HOLE POSITIONS

CAVITIES WITH A NUMERIC SYMBOL INDICATE CLOSED TERMINAL HOLE POSITIONS

TERMINAL HOLE POSITION																																								ASSEMBLY PART NUMBER	KEYING OPTION				
1	2	3	4	5	6	7	8	9	10	11	12	13	14	15	16	17	18	19	20	21	22	23	24	25	26	27	28	29	30	31	32	33	34	35	36	37	38	39	40						
											11	12																														0-1924172-1	G		
1	2	3	4	5	6	7	8	9	10	11	12	13	14	15	16	17	18			21	22																					0-1924172-2	G		
			3	4	5	6	7	8	9	10	11	12	13	14	15	16																											0-1924172-3	G	
							7	8	9	10	11	12	13	14	15	16																											0-1924172-4	G	
							7	8	9	10	11	12																															0-1924172-5	G	
1	2	3	4	5	6	7	8	9	10	11	12	13	14	15	16					21	22																						0-1924172-6	G	
							7	8	9	10	11	12					17	18																									0-1924172-7	G	
							7	8	9	10	11	12	13	14	15	16	17	18																									0-1924172-8	G	
1	2	3	4	5	6	7	8	9	10	11	12	13	14	15	16					21	22																						0-1924172-9	G	
							7	8	9	10	11	12																																1-1924172-0	G
							7	8	9	10	11	12	13	14	15	16																											1-1924172-1	G	
1	2	3	4	5	6	7	8	9	10	11	12	13	14	15	16					19	20	21	22	23	24																	1-1924172-2	G		
1	2					7	8	9	10	11	12										21	22																					1-1924172-3	G	
			3	4	5	6					11	12																															1-1924172-4	G	
			3	4	5	6																																					1-1924172-5	G	
			3	4	5	6					11	12																															1-1924172-6	G	

PIN OUT CHART

BLANK CAVITIES INDICATE OPEN TERMINAL HOLE POSITIONS

CAVITIES WITH A NUMERIC SYMBOL INDICATE CLOSED TERMINAL HOLE POSITIONS

TERMINAL HOLE POSITION																																								ASSEMBLY PART NUMBER	KEYING OPTION					
1	2	3	4	5	6	7	8	9	10	11	12	13	14	15	16	17	18	19	20	21	22	23	24	25	26	27	28	29	30	31	32	33	34	35	36	37	38	39	40							
							7	8	9	10	11	12								19	20																							0-1924173-1	H	
				5	6	7	8	9	10	11	12	13	14	15	16					19	20																							0-1924173-2	H	
																																												0-1924173-3	H	
1	2	3	4						9	10	11	12	13	14	15	16					21	22																						0-1924173-4	H	
1	2	3	4	5	6	7	8	9	10	11	12	13	14	15	16						21	22	23	24	25	26	27	28	29	30	31	32	33	34									0-1924173-5	H		
										9	10	11	12																																0-1924173-6	H
							7	8	9	10	11	12																																0-1924173-7	H	
							7	8	9	10	11	12																																0-1924173-8	H	
1	2	3	4	5	6	7	8	9	10	11	12	13	14	15	16					20	21	22																					0-1924173-9	H		
1	2	3	4	5	6	7	8	9	10	11	12	13	14	15	16						21	22																					1-1924173-0	H		
1	2	3	4	5	6	7	8	9	10	11	12	13	14	15	16						21	22																					1-1924173-1	H		
1	2	3	4	5	6	7	8	9	10	11	12	13	14	15	16						21	22																					1-1924173-2	H		
										9	10	11	12																															1-1924173-3	H	
1	2					7	8	9	10	11	12	13	14	15	16						21	22																					1-1924173-4	H		
1	2	3	4	5	6	7	8	9	10	11	12	13	14	15	16						21	22																					1-1924173-5	H		
1	2	3	4	5	6	7	8	9	10	11	12	13	14	15	16						21	22																					1-1924173-6	H		
1	2					7	8	9	10	11	12	13	14	15	16						21	22																						1-1924173-7	H	
1	2	3	4	5	6	7	8	9	10	11	12	13	14	15	16						21		23																				1-1924173-8	H		
			3	4	5	6					11	12																																1-1924173-9	H	
			3	4	5	6					11	12																																2-1924173-0	H	
			3	4	5	6					11	12																																2-1924173-1	H	

<small>THIS DRAWING IS UNPUBLISHED. RELEASED FOR PUBLICATION APRIL 20, 2002. ALL RIGHTS RESERVED.</small>		DWN: A. HOLT 14NOV2006 CHK: W. WELLINSKY 14NOV2006 APVD: W. WELLINSKY 14NOV2006	Tyco Electronics Harrisburg, PA 17105-3608
DIMENSIONS: mm	TOLERANCES UNLESS OTHERWISE SPECIFIED: 0 PLC ±0.3 1 PLC ±0.10 2 PLC ±0.10 3 PLC ±0.10 4 PLC ±0.10 ANGLES ±0.5° FINISH -	PRODUCT SPEC: APPLICATION SPEC: WEIGHT: - CUSTOMER DRAWING	NAME: 40 WAY SHORTING BAR ARM PLUG ASSEMBLY WITHOUT SHORTING BARS LOADED SIZE: A1 CASE CODE: 00779 DRAWING NO: 1924170 SCALE: 3:1 SHEET: 5 OF 5 REV: F



Компания «ЭлектроПласт» предлагает заключение долгосрочных отношений при поставках импортных электронных компонентов на взаимовыгодных условиях!

Наши преимущества:

- Оперативные поставки широкого спектра электронных компонентов отечественного и импортного производства напрямую от производителей и с крупнейших мировых складов;
- Поставка более 17-ти миллионов наименований электронных компонентов;
- Поставка сложных, дефицитных, либо снятых с производства позиций;
- Оперативные сроки поставки под заказ (от 5 рабочих дней);
- Экспресс доставка в любую точку России;
- Техническая поддержка проекта, помощь в подборе аналогов, поставка прототипов;
- Система менеджмента качества сертифицирована по Международному стандарту ISO 9001;
- Лицензия ФСБ на осуществление работ с использованием сведений, составляющих государственную тайну;
- Поставка специализированных компонентов (Xilinx, Altera, Analog Devices, Intersil, Interpoint, Microsemi, Aeroflex, Peregrine, Syfer, Eurofarad, Texas Instrument, Miteq, Cobham, E2V, MA-COM, Hittite, Mini-Circuits, General Dynamics и др.);

Помимо этого, одним из направлений компании «ЭлектроПласт» является направление «Источники питания». Мы предлагаем Вам помощь Конструкторского отдела:

- Подбор оптимального решения, техническое обоснование при выборе компонента;
- Подбор аналогов;
- Консультации по применению компонента;
- Поставка образцов и прототипов;
- Техническая поддержка проекта;
- Защита от снятия компонента с производства.



Как с нами связаться

Телефон: 8 (812) 309 58 32 (многоканальный)

Факс: 8 (812) 320-02-42

Электронная почта: org@eplast1.ru

Адрес: 198099, г. Санкт-Петербург, ул. Калинина, дом 2, корпус 4, литера А.