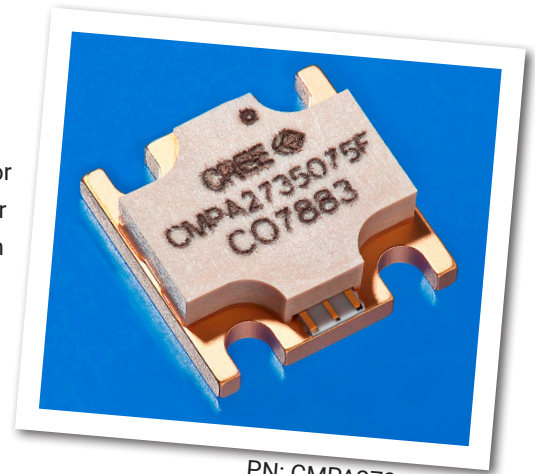


CMPA2735075F

75 W, 2.7 - 3.5 GHz, GaN MMIC, Power Amplifier

Cree's CMPA2735075F is a gallium nitride (GaN) High Electron Mobility Transistor (HEMT) based monolithic microwave integrated circuit (MMIC). GaN has superior properties compared to silicon or gallium arsenide, including higher breakdown voltage, higher saturated electron drift velocity and higher thermal conductivity. GaN HEMTs also offer greater power density and wider bandwidths compared to Si and GaAs transistors. This MMIC contains a two-stage reactively matched amplifier design approach enabling very wide bandwidths to be achieved. This MMIC enables extremely wide bandwidths to be achieved in a small footprint screw-down package.



PN: CMPA2735075F
Package Type: 780019

Typical Performance Over 2.7-3.5 GHz ($T_c = 25^\circ\text{C}$)

Parameter	2.7 GHz	2.9 GHz	3.1 GHz	3.3 GHz	3.5 GHz	Units
Small Signal Gain	27	29	29	28	27	dB
Saturated Output Power, P_{SAT}^1	59	76	89	90	83	W
Power Gain @ P_{SAT}^1	21	23	24	24	23	dB
PAE @ P_{SAT}^1	43	54	56	56	56	%

Note¹: P_{SAT} is defined as the RF output power where the device starts to draw positive gate current in the range of 2-8 mA.

Features

- 27 dB Small Signal Gain
- 80 W Typical P_{SAT}
- Operation up to 28 V
- High Breakdown Voltage
- High Temperature Operation
- 0.5" x 0.5" Total Product Size

Applications

- Civil and Military Pulsed Radar Amplifiers

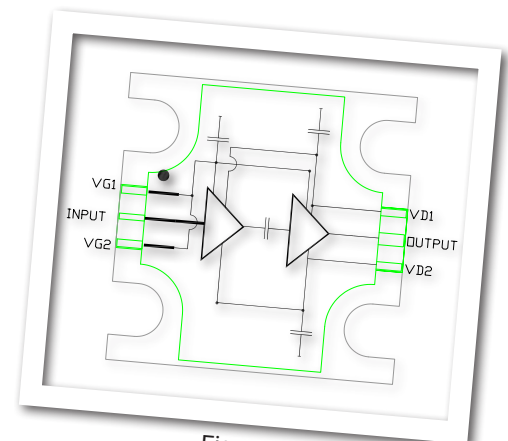


Figure 1.



Absolute Maximum Ratings (not simultaneous) at 25°C

Parameter	Symbol	Rating	Units	Conditions
Drain-source Voltage	V_{DSS}	84	VDC	25°C
Gate-source Voltage	V_{GS}	-10, +2	VDC	25°C
Storage Temperature	T_{STG}	-65, +150	°C	
Operating Junction Temperature	T_J	225	°C	
Maximum Forward Gate Current	I_G	28	mA	25°C
Screw Torque	T	40	in-oz	
Thermal Resistance, Junction to Case (packaged) ¹	$R_{\theta JC}$	0.77	°C/W	300 μsec, 20%, 85°C
Thermal Resistance, Junction to Case (packaged) ¹	$R_{\theta JC}$	1.44	°C/W	CW, 85°C

Notes:

¹ Measured for the CMPA2735075F at $P_{DISS} = 64$ W.

Electrical Characteristics (Frequency = 2.9 GHz to 3.5 GHz unless otherwise stated; $T_c = 25^\circ\text{C}$)

Characteristics	Symbol	Min.	Typ.	Max.	Units	Conditions
DC Characteristics						
Gate Threshold Voltage	$V_{GS(TH)}$	-3.8	-3.0	-2.3	V	$V_{DS} = 10$ V, $I_D = 28$ mA
Gate Quiescent Voltage	$V_{GS(Q)}$	-	-2.7	-	V _{DC}	$V_{DD} = 28$ V, $I_{DQ} = 700$ mA, Freq = 2.9 GHz
Saturated Drain Current ¹	I_{DS}	19.6	27.4	-	A	$V_{DS} = 6.0$ V, $V_{GS} = 2.0$ V
Drain-Source Breakdown Voltage	V_{BD}	84	100	-	V	$V_{GS} = -8$ V, $I_D = 28$ mA
RF Characteristics^{2,3}						
Small Signal Gain ₁	S ₂₁	-	29	-	dB	$V_{DD} = 28$ V, $I_{DQ} = 700$ mA, Freq = 2.9 GHz
Small Signal Gain ₂	S ₂₁	26.5	29	-	dB	$V_{DD} = 28$ V, $I_{DQ} = 700$ mA, Freq = 3.1 GHz
Small Signal Gain ₃	S ₂₁	26	27	-	dB	$V_{DD} = 28$ V, $I_{DQ} = 700$ mA, Freq = 3.5 GHz
Power Output ₁	P_{OUT}	-	76	-	W	$V_{DD} = 28$ V, $I_{DQ} = 700$ mA, $P_{IN} = 28$ dBm, Freq = 2.9 GHz
Power Output ₂	P_{OUT}	66	82	-	W	$V_{DD} = 28$ V, $I_{DQ} = 700$ mA, $P_{IN} = 28$ dBm, Freq = 3.1 GHz
Power Output ₃	P_{OUT}	66	85	-	W	$V_{DD} = 28$ V, $I_{DQ} = 700$ mA, $P_{IN} = 28$ dBm, Freq = 3.5 GHz
Power Added Efficiency ₁	PAE	-	54	-	%	$V_{DD} = 28$ V, $I_{DQ} = 700$ mA, Freq = 2.9 GHz
Power Added Efficiency ₂	PAE	45	54	-	%	$V_{DD} = 28$ V, $I_{DQ} = 700$ mA, Freq = 3.1 GHz
Power Added Efficiency ₃	PAE	45	53	-	%	$V_{DD} = 28$ V, $I_{DQ} = 700$ mA, Freq = 3.5 GHz
Input Return Loss ₁	S ₁₁	-	-11	-8	dB	$V_{DD} = 28$ V, $I_{DQ} = 700$ mA, Freq = 3.1 GHz
Input Return Loss ₂	S ₁₁	-	-16	-10	dB	$V_{DD} = 28$ V, $I_{DQ} = 700$ mA, Freq = 3.5 GHz
Output Return Loss ₁	S ₂₂	-	-9	-4	dB	$V_{DD} = 28$ V, $I_{DQ} = 700$ mA, Freq = 3.1 GHz
Output Return Loss ₂	S ₂₂	-	-17	-10	dB	$V_{DD} = 28$ V, $I_{DQ} = 700$ mA, Freq = 3.5 GHz
Output Mismatch Stress	VSWR	-	-	5 : 1	Ψ	No damage at all phase angles, $V_{DD} = 28$ V, $I_{DQ} = 700$ mA, $P_{OUT} = 75$ W CW

Notes:

¹ Scaled from PCM data.

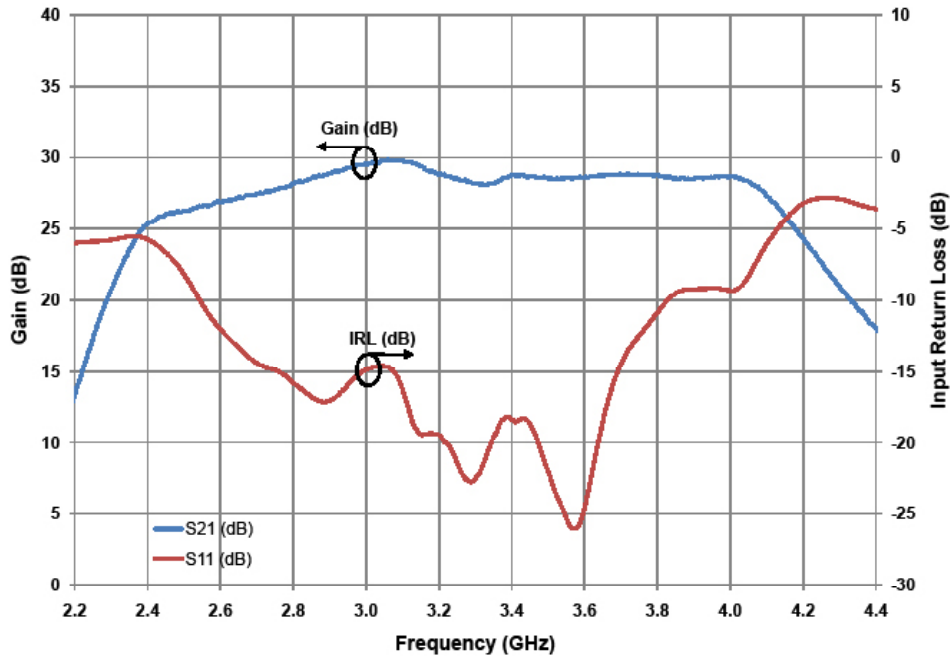
² All data pulse tested in CMPA2735075F-AMP

³ Pulse Width = 300 μs, Duty Cycle = 20%.

Typical Performance of the CMPA2735075F

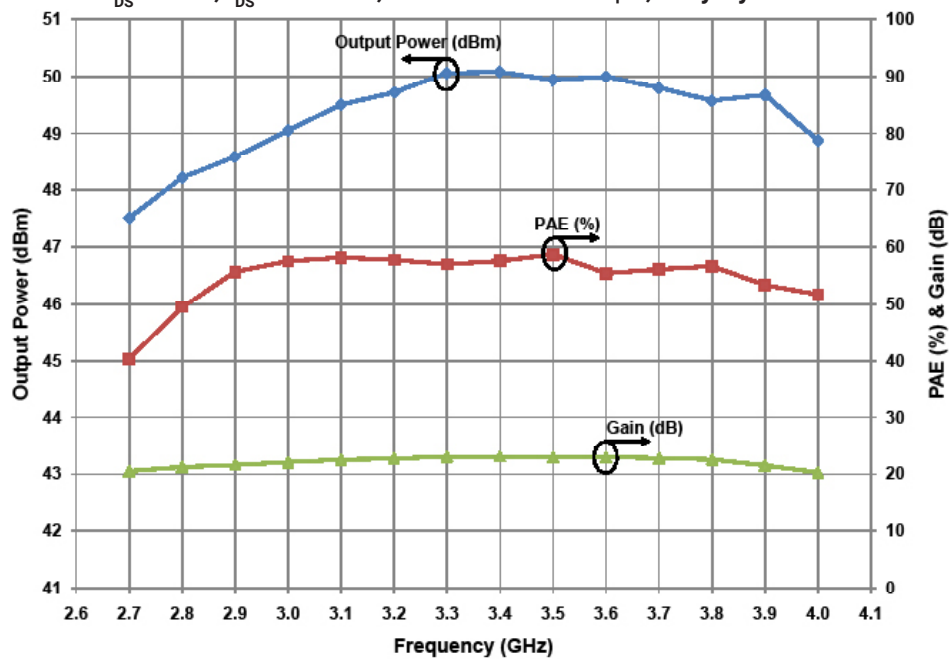
Gain and Input Return Loss vs Frequency of the CMPA2735075F
 Measured in CMPA2735075F-AMP Amplifier Circuit.

$V_{DS} = 28\text{ V}$, $I_{DS} = 700\text{ mA}$

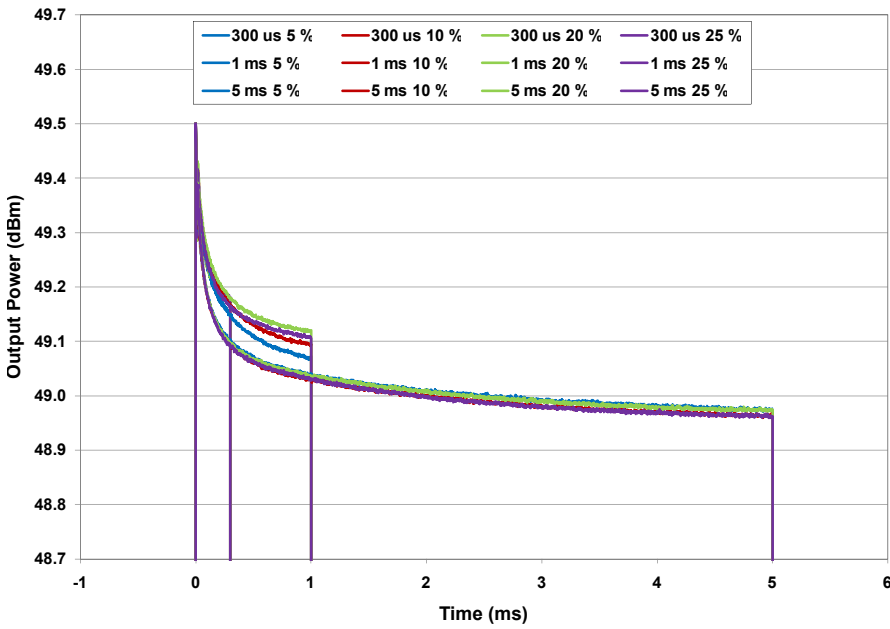


Output Power, Gain and PAE vs Frequency of the CMPA2735075F
 Measured in CMPA2735075F-AMP Amplifier Circuit.

$V_{DS} = 28\text{ V}$, $I_{DS} = 700\text{ mA}$, Pulse Width = $300\ \mu\text{s}$, Duty Cycle = 20%



Typical Pulse Droop Performance



Pulse Width	Duty Cycle (%)	Droop (dB)
10 us	5-25	0.30
50 us	5-25	0.30
100 us	5-25	0.30
300 us	5-25	0.35
1 ms	5-25	0.40
5 ms	5-25	0.55

Electrostatic Discharge (ESD) Classifications

Parameter	Symbol	Class	Test Methodology
Human Body Model	HBM	1A (> 250 V)	JEDEC JESD22 A114-D
Charge Device Model	CDM	II (200 < 500 V)	JEDEC JESD22 C101-C

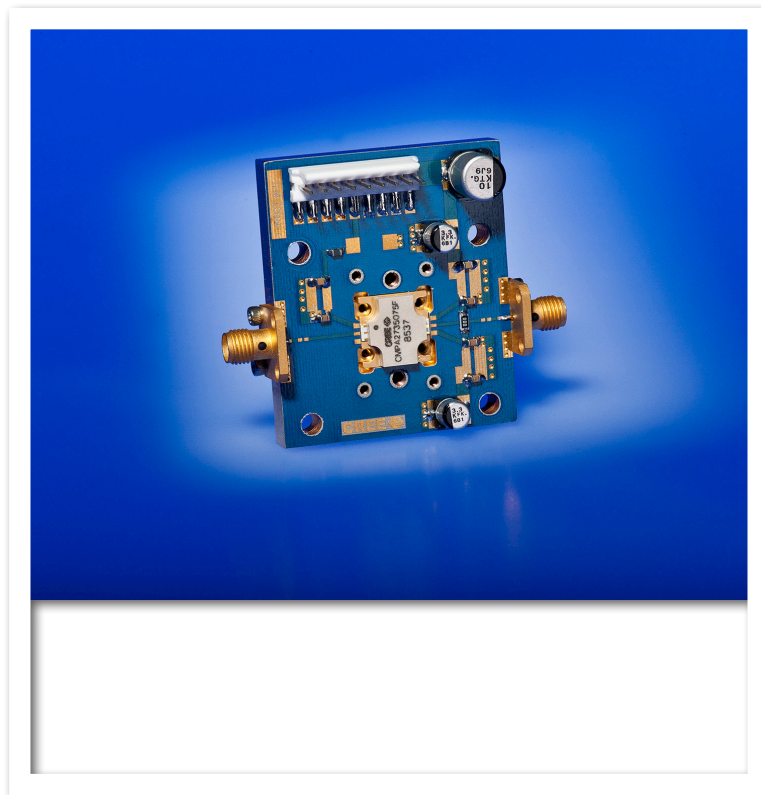
CMPA2735075F-AMP Demonstration Amplifier Circuit Bill of Materials

Designator	Description	Qty
C1	CAP, 15000pF, 100V, 0805, X7R	1
C2	CAP, 1000uF, 20%, 50V, ELECT, MCVY, SMD	1
R1	RES, 1/8W, 1206, +/-5%, 0 OHMS	1
R2	RES, 1/16W, 0603, +/-5%, 10K OHMS	1
L1	FERRITE, 22 OHM, 0805, BLM21PG220SN1	1
J1,J2	CONNECTOR, N-TYPE, FEMALE, W/0.500 SMA FLNG	2
J3	CONNECTOR, HEADER, RT>PLZ .1CEN LK 9POS	1
J4	CONNECTOR, SMB, STRAIGHT JACK, SMD	1
-	PCB, TACONIC, RF-35-0100-CH/CH	1
Q1	CMPA2735075F	1

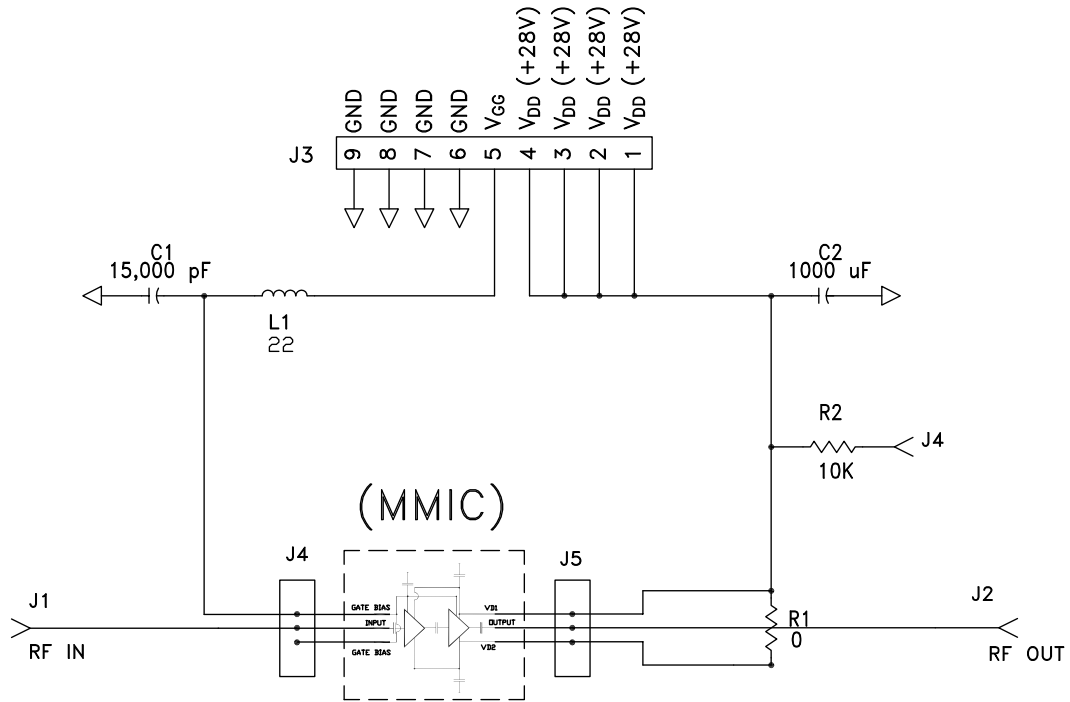
Notes

¹The CMPA2735075F is connected to the PCB with 2.0 mil Au bond wires.

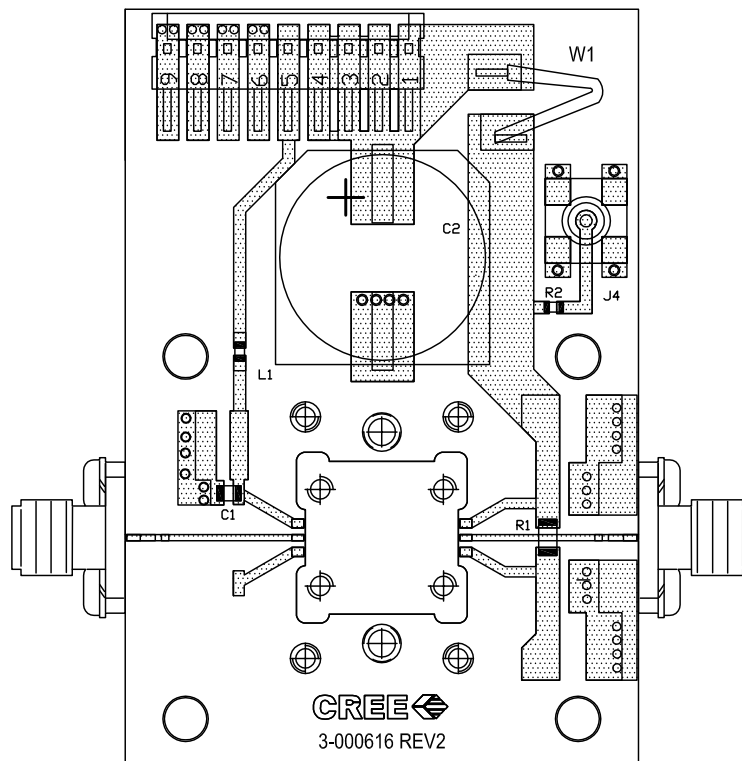
CMPA2735075F-AMP Demonstration Amplifier Circuit



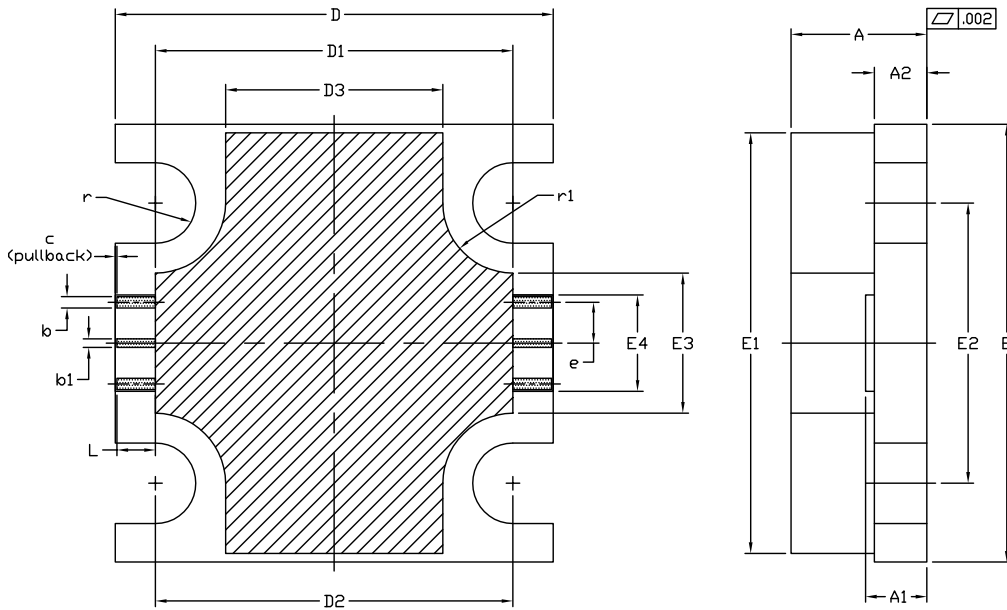
CMPA2735075F-AMP Demonstration Amplifier Circuit Schematic



CMPA2735075F-AMP Demonstration Amplifier Circuit Outline



Product Dimensions CMPA2735075F (Package Type – 780019)

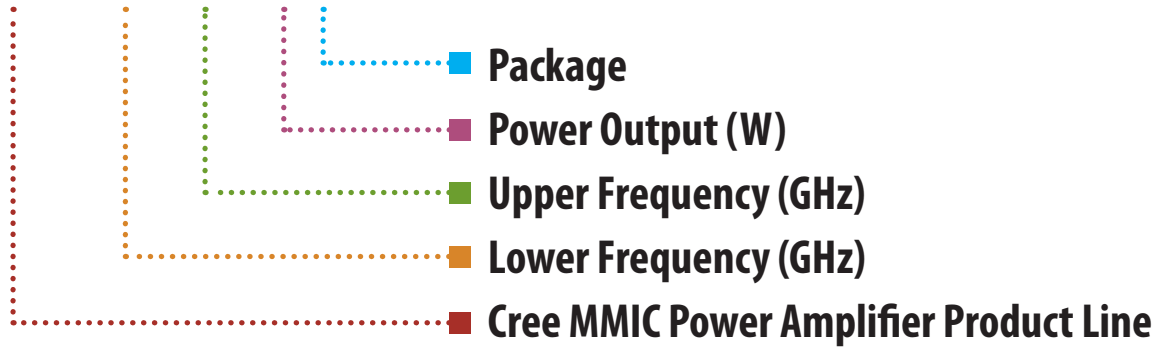


NOTES:

1. DIMENSIONING AND TOLERANCING PER ANSI Y14.5M, 1982.
2. CONTROLLING DIMENSION: INCH.
3. ADHESIVE FROM LID MAY EXTEND A MAXIMUM OF 0.020" BEYOND EDGE OF LID.
4. LID MAY BE MISALIGNED TO THE BODY OF THE PACKAGE BY A MAXIMUM OF 0.008" IN ANY DIRECTION.
5. ALL PLATED SURFACES ARE NI/AU

DIM	INCHES		MILLIMETERS		NOTE
	MIN	MAX	MIN	MAX	
A	0.148	0.162	3.76	4.12	—
A1	0.066	0.076	1.67	1.93	—
A2	0.056	0.064	1.42	1.63	—
b	0.013		0.33		x4
b1	0.010		0.25		x2
c	0.002		0.05		x2
D	0.495	0.505	12.57	12.83	—
D1	0.403	0.413	10.23	10.49	—
D2	0.408		10.36		—
D3	0.243	0.253	6.17	6.43	—
E	0.495	0.505	12.57	12.83	—
E1	0.475	0.485	12.06	12.32	—
E2	0.320		8.13		—
E3	0.155	0.165	3.93	4.19	—
E4	0.105	0.115	2.66	2.92	—
e	0.046		1.17		x4
L	0.044		1.12		x6
r	R0.046		R1.17		x4
r1	R0.080		R2.03		x4

CMPA2735075F



Parameter	Value	Units
Lower Frequency	2.7	GHz
Upper Frequency	3.5	GHz
Power Output	75	W
Package	Flange	-

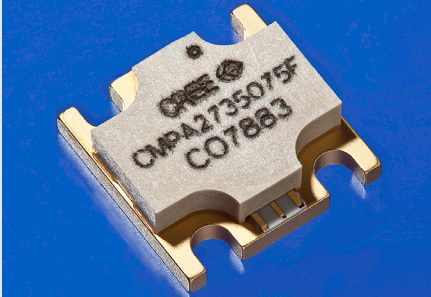
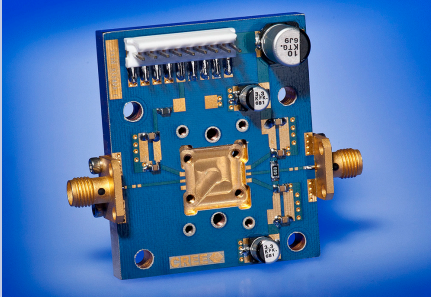
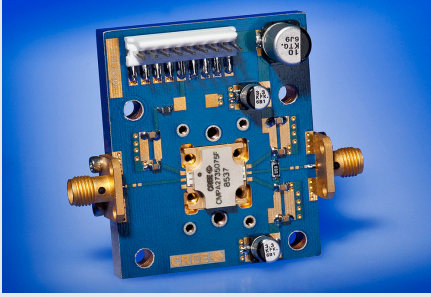
Table 1.

Note: Alpha characters used in frequency code indicate a value greater than 9.9 GHz. See Table 2 for value.

Character Code	Code Value
A	0
B	1
C	2
D	3
E	4
F	5
G	6
H	7
J	8
K	9
Examples:	1A = 10.0 GHz 2H = 27.0 GHz

Table 2.

Product Ordering Information

Order Number	Description	Unit of Measure	Image
CMPA2735075F	GaN HEMT	Each	
CMPA2735075F-TB	Test board without GaN MMIC	Each	
CMPA2735075F-AMP	Test board with GaN MMIC installed	Each	



Disclaimer

Specifications are subject to change without notice. Cree, Inc. believes the information contained within this data sheet to be accurate and reliable. However, no responsibility is assumed by Cree for its use or for any infringement of patents or other rights of third parties which may result from its use. No license is granted by implication or otherwise under any patent or patent rights of Cree. Cree makes no warranty, representation or guarantee regarding the suitability of its products for any particular purpose. "Typical" parameters are the average values expected by Cree in large quantities and are provided for information purposes only. These values can and do vary in different applications, and actual performance can vary over time. All operating parameters should be validated by customer's technical experts for each application. Cree products are not designed, intended, or authorized for use as components in applications intended for surgical implant into the body or to support or sustain life, in applications in which the failure of the Cree product could result in personal injury or death, or in applications for the planning, construction, maintenance or direct operation of a nuclear facility. CREE and the CREE logo are registered trademarks of Cree, Inc.

For more information, please contact:

Cree, Inc.
4600 Silicon Drive
Durham, North Carolina, USA 27703
www.cree.com/RF

Sarah Miller
Marketing
Cree, RF Components
1.919.407.5302

Ryan Baker
Marketing & Sales
Cree, RF Components
1.919.407.7816

Tom Dekker
Sales Director
Cree, RF Components
1.919.407.5639



Компания «ЭлектроПласт» предлагает заключение долгосрочных отношений при поставках импортных электронных компонентов на взаимовыгодных условиях!

Наши преимущества:

- Оперативные поставки широкого спектра электронных компонентов отечественного и импортного производства напрямую от производителей и с крупнейших мировых складов;
- Поставка более 17-ти миллионов наименований электронных компонентов;
- Поставка сложных, дефицитных, либо снятых с производства позиций;
- Оперативные сроки поставки под заказ (от 5 рабочих дней);
- Экспресс доставка в любую точку России;
- Техническая поддержка проекта, помощь в подборе аналогов, поставка прототипов;
- Система менеджмента качества сертифицирована по Международному стандарту ISO 9001;
- Лицензия ФСБ на осуществление работ с использованием сведений, составляющих государственную тайну;
- Поставка специализированных компонентов (Xilinx, Altera, Analog Devices, Intersil, Interpoint, Microsemi, Aeroflex, Peregrine, Syfer, Eurofarad, Texas Instrument, Miteq, Cobham, E2V, MA-COM, Hittite, Mini-Circuits, General Dynamics и др.);

Помимо этого, одним из направлений компании «ЭлектроПласт» является направление «Источники питания». Мы предлагаем Вам помощь Конструкторского отдела:

- Подбор оптимального решения, техническое обоснование при выборе компонента;
- Подбор аналогов;
- Консультации по применению компонента;
- Поставка образцов и прототипов;
- Техническая поддержка проекта;
- Защита от снятия компонента с производства.



Как с нами связаться

Телефон: 8 (812) 309 58 32 (многоканальный)

Факс: 8 (812) 320-02-42

Электронная почта: org@eplast1.ru

Адрес: 198099, г. Санкт-Петербург, ул. Калинина, дом 2, корпус 4, литера А.