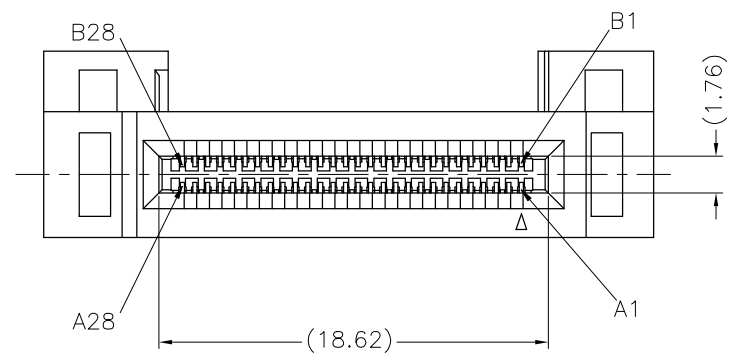
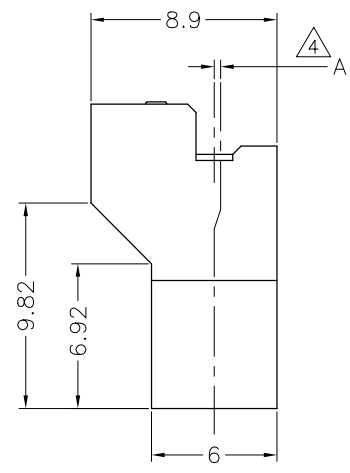
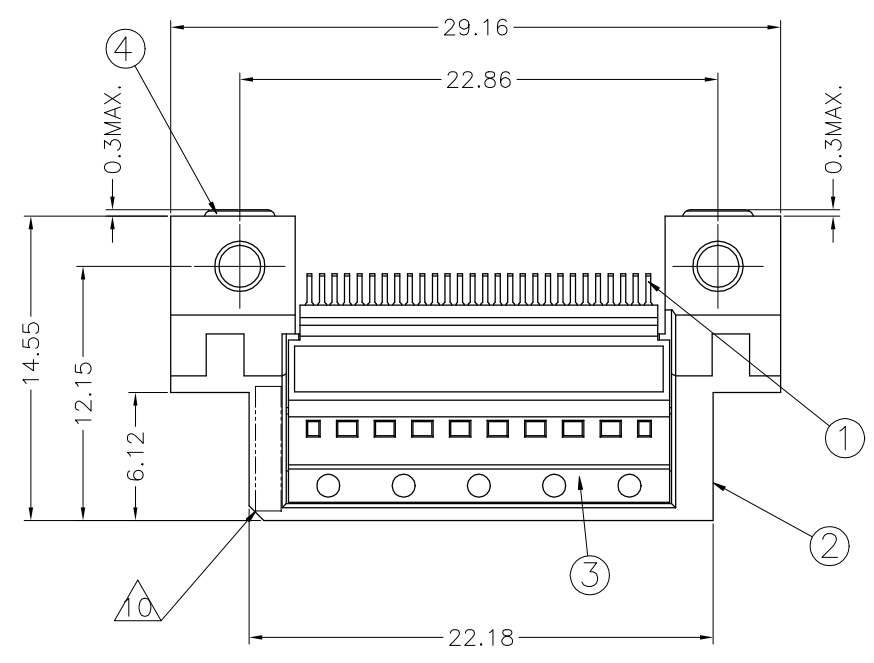
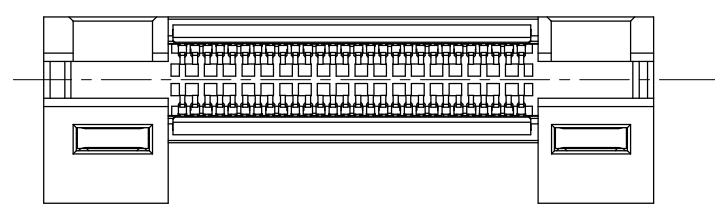


REVISIONS				
P	LTR	DESCRIPTION	DATE	DWN APVD
5		PRELIMINARY	15MAY2019	J.T K.K

- NOTE**
- ① HOUSING AND COVER: LCP, UL94-V0, BLACK. CONTACTS: COPPER ALLOY.
  - ② GOLD PLATED ON CONTACT AREA. TIN PLATE ON SOLDER TAIL AREA.
  - ③ APPLICABLE HOST BOARD THICKNESS
  - ④ OFFSET AMOUNT BETWEEN AIC BOARD AND HOST BOARD CENTER LINE.
  - ⑤ SEE MSA SPECIFICATION FOR ADDITIONAL PADDLE CARD LAYOUTS COMPATIBLE WITH THIS RECEPTACLE AND FOR OPTIONAL SPLIT CONTACT PAD LAYOUTS FOR THE PADDLE CARD. SPECIFICATION PINOUT MAY ALSO DESIGNATE PAD SEQUENCE DIFFERENT FROM ILLUSTRATION.
  - ⑥ POSITIONS DESIGNATED AS "SIGNAL" ARE RECOMMENDED LOCATIONS FOR HIGH SPEED DIFFERENTIAL PAIR SIGNALING. THESE LOCATIONS MAY ALSO BE USED FOR SUPPORTING SIDEBAND SIGNALS OR OTHER UTILITY PURPOSES. POSITIONS DESIGNATED AS "GROUND" ARE REQUIRED WHEN SUPPORTING HIGH SPEED DIFFERENTIAL SIGNALS. THESE LOCATIONS MAY ALSO BE USED FOR SIDEBAND SIGNALS OR OTHER UTILITY PURPOSES.
  - ⑦ CONTROLLED ACROSS PADS.
  - ⑧ THIS LAYOUT IS ADOPTED IN SFF-TA-1002 Rev 1.1
  - ⑨ SCREW IS ENCLOSED BY SEPARATE PACKING. SCREW SIZE: M2 SCREW LENGTH(REF): 6 HEAD SIZE(REF): Ø3.5, 1.3HEIGHT
  - ⑩ DATE CODE MARKING.
  - ⑪ CONNECTOR MUST BE FIXED ON PCB BY SCREW AFTER SOLDERING.



PLATING	④ DIM A	③ DIM B (HOST BOARD THICKNESS)	PARTS No.
0.76 μm Au	0	1.57 ±0.15	2340331-1
	0	2.36 ±0.23	2-2340331-1

AS SHOWN : -1, 2--1

QTY	NAME	ITEM No.
2	M2 SCREW	
2	M2 NUT PLATE	④
2	COVER HOUSING 28P	③
1	HOUSING	②
56	CONTACT	①

HVM DESIGN

**PROPOSAL DRAWING**  
 THIS PRINT IS PRELIMINARY UNQUALIFIED PRODUCT THESE SPEC MAY BE CHANGED BASED ON ADDITIONAL INVESTIGATION AND TESTING WITHOUT YOUR PERMISSION.

THIS DRAWING IS A CONTROLLED DOCUMENT.

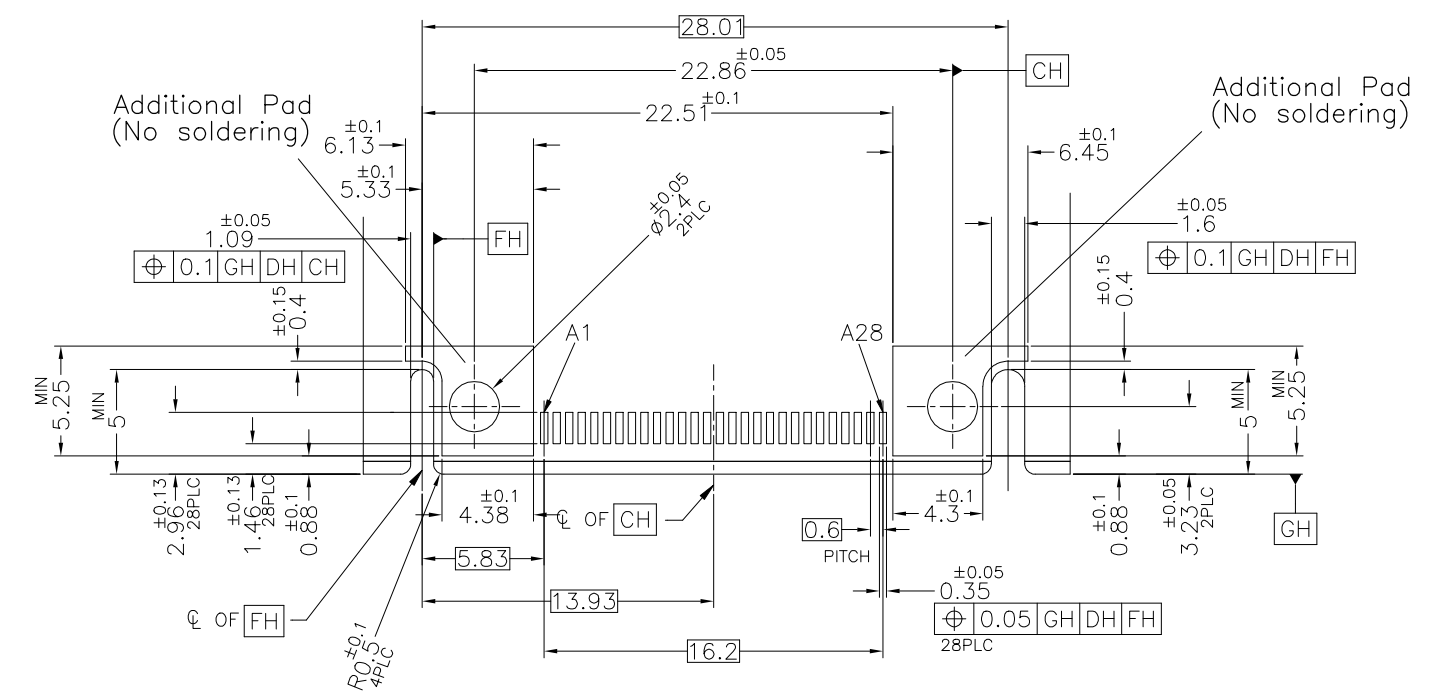
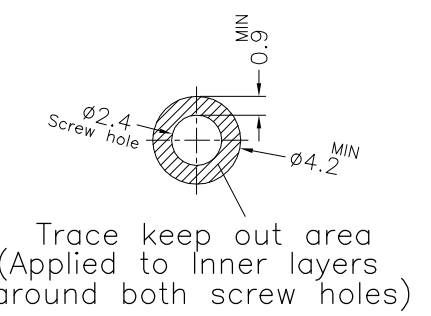
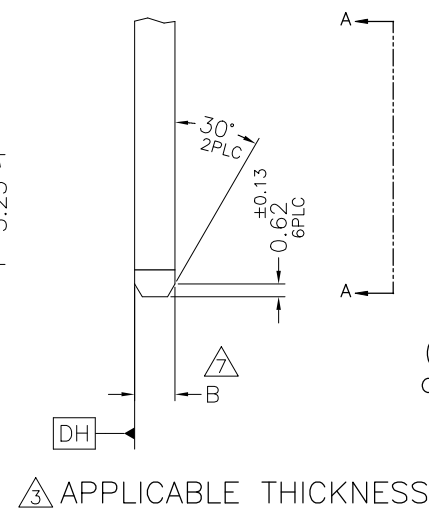
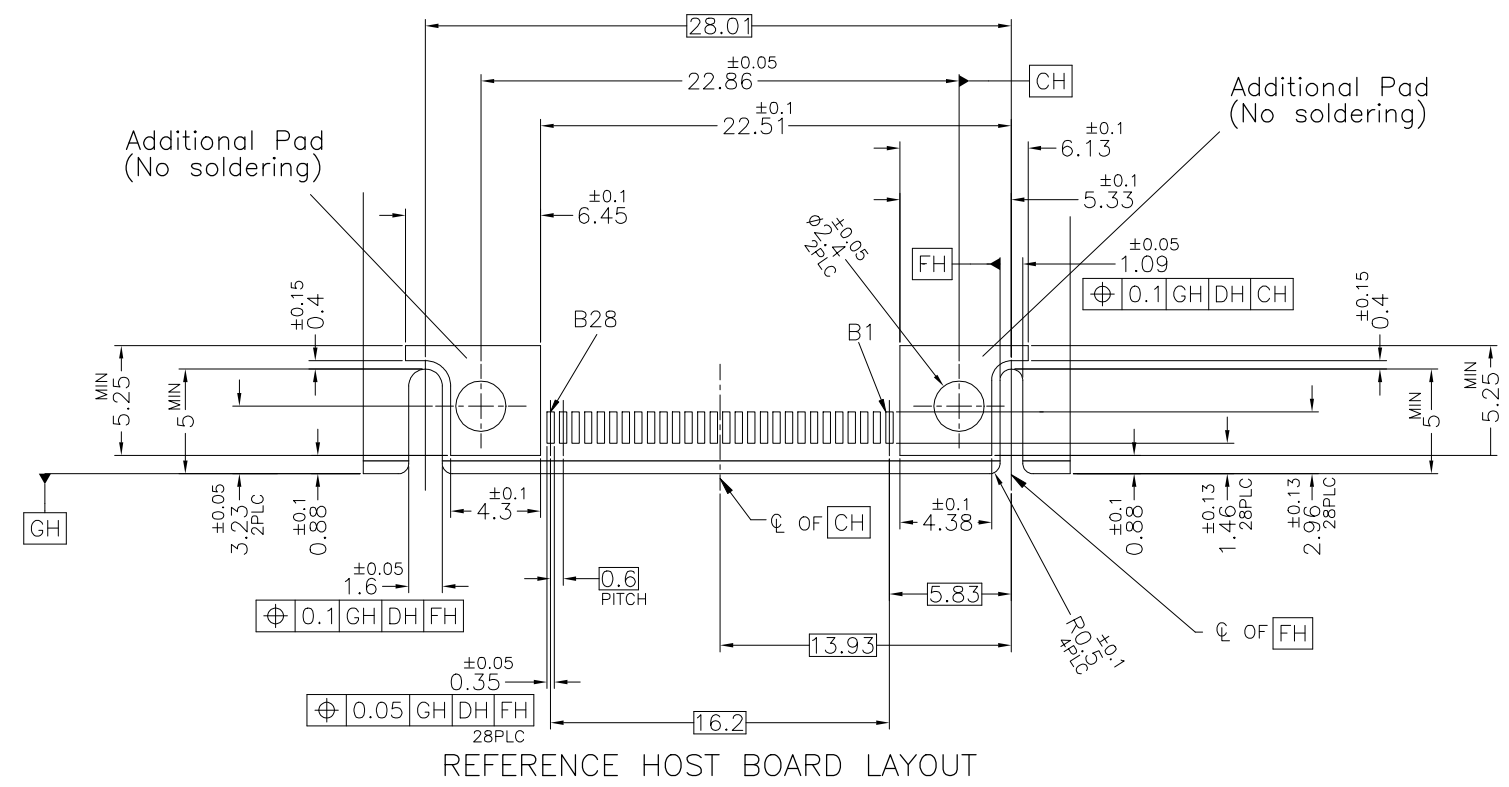
DIMENSIONS: mm	TOLERANCES UNLESS OTHERWISE SPECIFIED: ±0.3	DWN J.TSUJI 15FEB2019	TE Connectivity Ltd.
	0-PLC ± 1-PLC ± 2-PLC ± 3-PLC ± 4-PLC ± ANGLES ±	CHK K.KOBAYASHI 18FEB2019	
		APVD K.KOBAYASHI 18FEB2019	
		PRODUCT SPEC	
MATERIAL	FINISH	WEIGHT	NAME: 56 POSITION SLIVER 2.0 STRADDLE MOUNT SIZE: A2 CAGE CODE: 00779 DRAWING NO: C-2340331 RESTRICTED TO:

CUSTOMER DRAWING SCALE 4:1 SHEET 1 of 4 REV 5

PRELIMINARY

2340331

REVISIONS				
P	LTR	DESCRIPTION	DATE	APVD
-	-	SEE SHEET 1	-	-

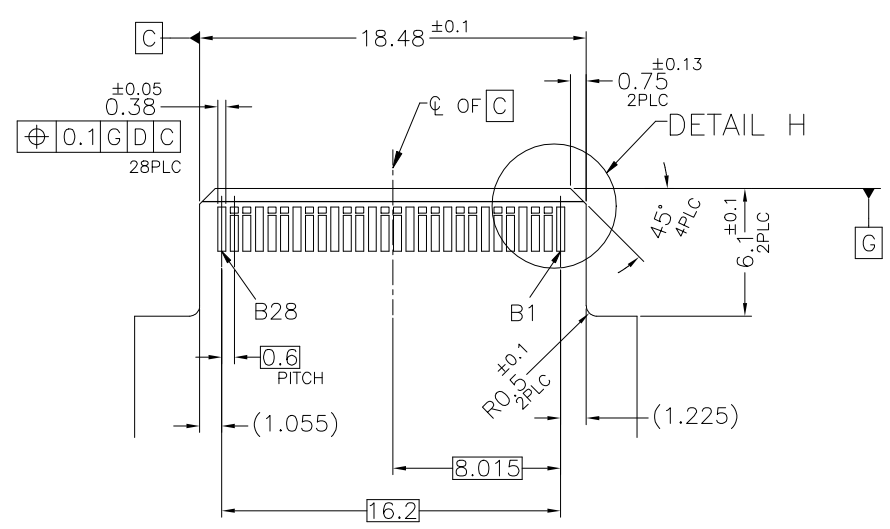


PROPOSAL DRAWING

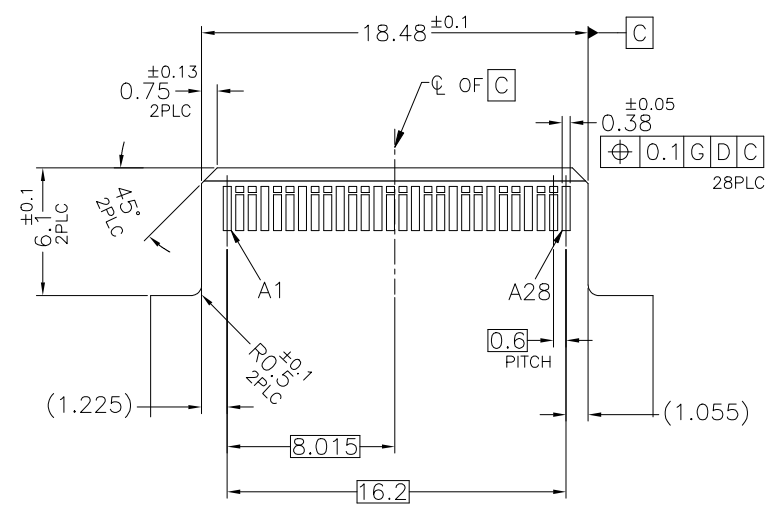
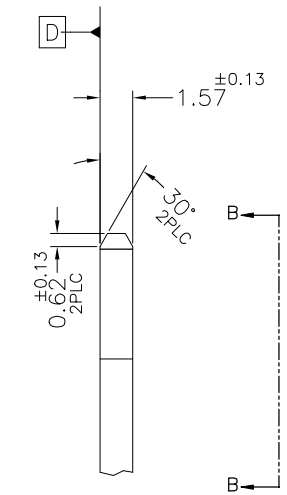
THIS PRINT IS PRELIMINARY UNQUALIFIED PRODUCT THESE SPEC MAY BE CHANGED BASED ON ADDITIONAL INVESTIGATION AND TESTING WITHOUT YOUR PERMISSION.

THIS DRAWING IS A CONTROLLED DOCUMENT.		DWN	STE TE Connectivity Ltd.	
DIMENSIONS: mm		CHK	NAME	
TOLERANCES UNLESS OTHERWISE SPECIFIED: $\pm 0.3$		APVD	56 POSITION SLIVER 2.0 STRADDLE MOUNT	
0-PLC $\pm$		PRODUCT SPEC	SIZE	CAGE CODE
1-PLC $\pm$		APPLICATION SPEC	A2	00779
2-PLC $\pm$		WEIGHT	DRAWING NO	RESTRICTED TO
3-PLC $\pm$		CUSTOMER DRAWING	C-2340331	
4-PLC $\pm$		SCALE	4:1	SHEET
ANGLES		2 of 4	REV	5

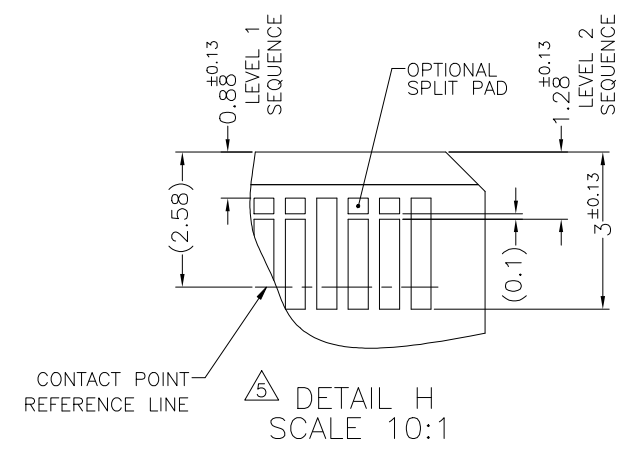
REVISIONS				
P	LTR	DESCRIPTION	DATE	APVD
-	-	SEE SHEET 1	-	-



REFERENCE AIC BOARD LAYOUT



VIEW B-B



DETAIL H SCALE 10:1

**PROPOSAL DRAWING**  
 THIS PRINT IS PRELIMINARY  
 UNQUALIFIED PRODUCT  
 THESE SPEC MAY BE CHANGED BASED ON  
 ADDITIONAL INVESTIGATION AND TESTING  
 WITHOUT YOUR PERMISSION.

THIS DRAWING IS A CONTROLLED DOCUMENT.		DWN	TE Connectivity Ltd.	
DIMENSIONS: mm		CHK	NAME	
TOLERANCES UNLESS OTHERWISE SPECIFIED: ±0.3		APVD	56 POSITION SLIVER 2.0 STRADDLE MOUNT	
0-PLC ± 1-PLC ± 2-PLC ± 3-PLC ± 4-PLC ± ANGLES ±		PRODUCT SPEC	SIZE	CAGE CODE
MATERIAL		APPLICATION SPEC	A2	00779
FINISH		WEIGHT	DRAWING NO C-2340331	
		CUSTOMER DRAWING	RESTRICTED TO	
		SCALE 4:1	SHEET 3 of 4	REV 5

2340331

THIS DRAWING IS UNPUBLISHED. RELEASED FOR PUBLICATION  
 © COPYRIGHT - TE Connectivity Ltd. ALL RIGHTS RESERVED.


REVISIONS				
P	LTR	DESCRIPTION	DATE	APVD
-	-	SEE SHEET 1	-	-

### CONNECTOR CONTACT IDENTIFICATION

CONTACT NUMBER	SIDE A	SIDE B
1	GROUND	GROUND
2	SIGNAL	SIGNAL
3	SIGNAL	SIGNAL
4	GROUND	GROUND
5	SIGNAL	SIGNAL
6	SIGNAL	SIGNAL
7	GROUND	GROUND
8	SIGNAL	SIGNAL
9	SIGNAL	SIGNAL
10	GROUND	GROUND
11	SIGNAL	SIGNAL
12	SIGNAL	SIGNAL
13	GROUND	GROUND
14	SIGNAL	SIGNAL
15	SIGNAL	SIGNAL
16	GROUND	GROUND
17	SIGNAL	SIGNAL
18	SIGNAL	SIGNAL
19	GROUND	GROUND
20	SIGNAL	SIGNAL
21	SIGNAL	SIGNAL
22	GROUND	GROUND
23	SIGNAL	SIGNAL
24	SIGNAL	SIGNAL
25	GROUND	GROUND
26	SIGNAL	SIGNAL
27	SIGNAL	SIGNAL
28	GROUND	GROUND

### PROPOSAL DRAWING

THIS PRINT IS  
**PRELIMINARY**  
 UNQUALIFIED PRODUCT  
 THESE SPEC MAY BE CHANGED BASED ON  
 ADDITIONAL INVESTIGATION AND TESTING  
 WITHOUT YOUR PERMISSION.

THIS DRAWING IS A CONTROLLED DOCUMENT.		DWN	 TE Connectivity Ltd.	
DIMENSIONS: mm		CHK		
TOLERANCES UNLESS OTHERWISE SPECIFIED:		APVD	NAME	
0 PLC ± -		PRODUCT SPEC		
1 PLC ± -		APPLICATION SPEC		
2 PLC ± -		SIZE	CAGE CODE	DRAWING NO
3 PLC ± -		A2	00779	C-2340331
4 PLC ± -		RESTRICTED TO		
ANGLES ± -		CUSTOMER DRAWING		
FINISH		SCALE	SHEET	REV
		1:1	4 of 4	5



Компания «ЭлектроПласт» предлагает заключение долгосрочных отношений при поставках импортных электронных компонентов на взаимовыгодных условиях!

Наши преимущества:

- Оперативные поставки широкого спектра электронных компонентов отечественного и импортного производства напрямую от производителей и с крупнейших мировых складов;
- Поставка более 17-ти миллионов наименований электронных компонентов;
- Поставка сложных, дефицитных, либо снятых с производства позиций;
- Оперативные сроки поставки под заказ (от 5 рабочих дней);
- Экспресс доставка в любую точку России;
- Техническая поддержка проекта, помощь в подборе аналогов, поставка прототипов;
- Система менеджмента качества сертифицирована по Международному стандарту ISO 9001;
- Лицензия ФСБ на осуществление работ с использованием сведений, составляющих государственную тайну;
- Поставка специализированных компонентов (Xilinx, Altera, Analog Devices, Intersil, Interpoint, Microsemi, Aeroflex, Peregrine, Syfer, Eurofarad, Texas Instrument, Miteq, Cobham, E2V, MA-COM, Hittite, Mini-Circuits, General Dynamics и др.);

Помимо этого, одним из направлений компании «ЭлектроПласт» является направление «Источники питания». Мы предлагаем Вам помощь Конструкторского отдела:

- Подбор оптимального решения, техническое обоснование при выборе компонента;
- Подбор аналогов;
- Консультации по применению компонента;
- Поставка образцов и прототипов;
- Техническая поддержка проекта;
- Защита от снятия компонента с производства.



#### Как с нами связаться

**Телефон:** 8 (812) 309 58 32 (многоканальный)

**Факс:** 8 (812) 320-02-42

**Электронная почта:** [org@eplast1.ru](mailto:org@eplast1.ru)

**Адрес:** 198099, г. Санкт-Петербург, ул. Калинина, дом 2, корпус 4, литера А.