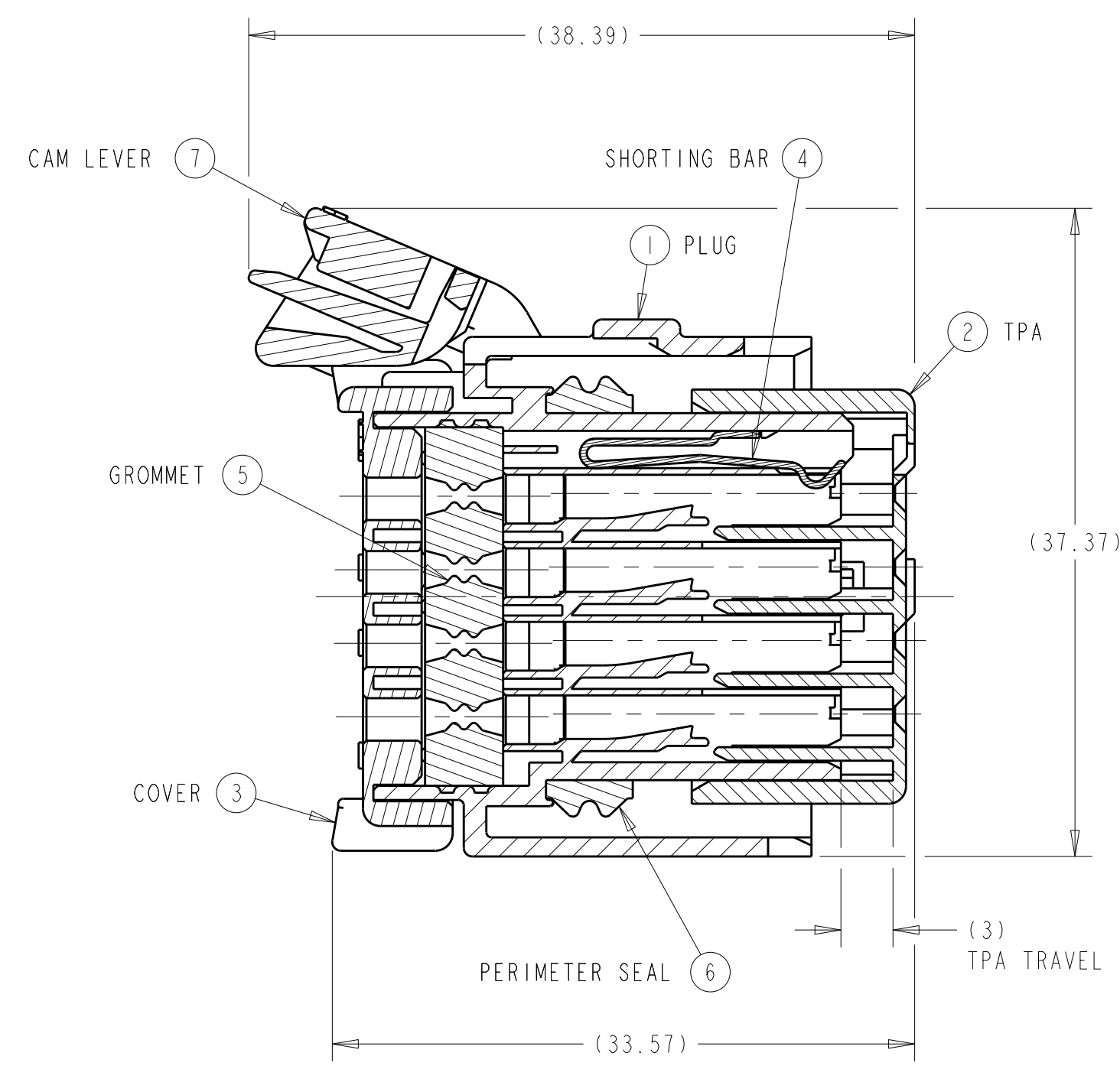
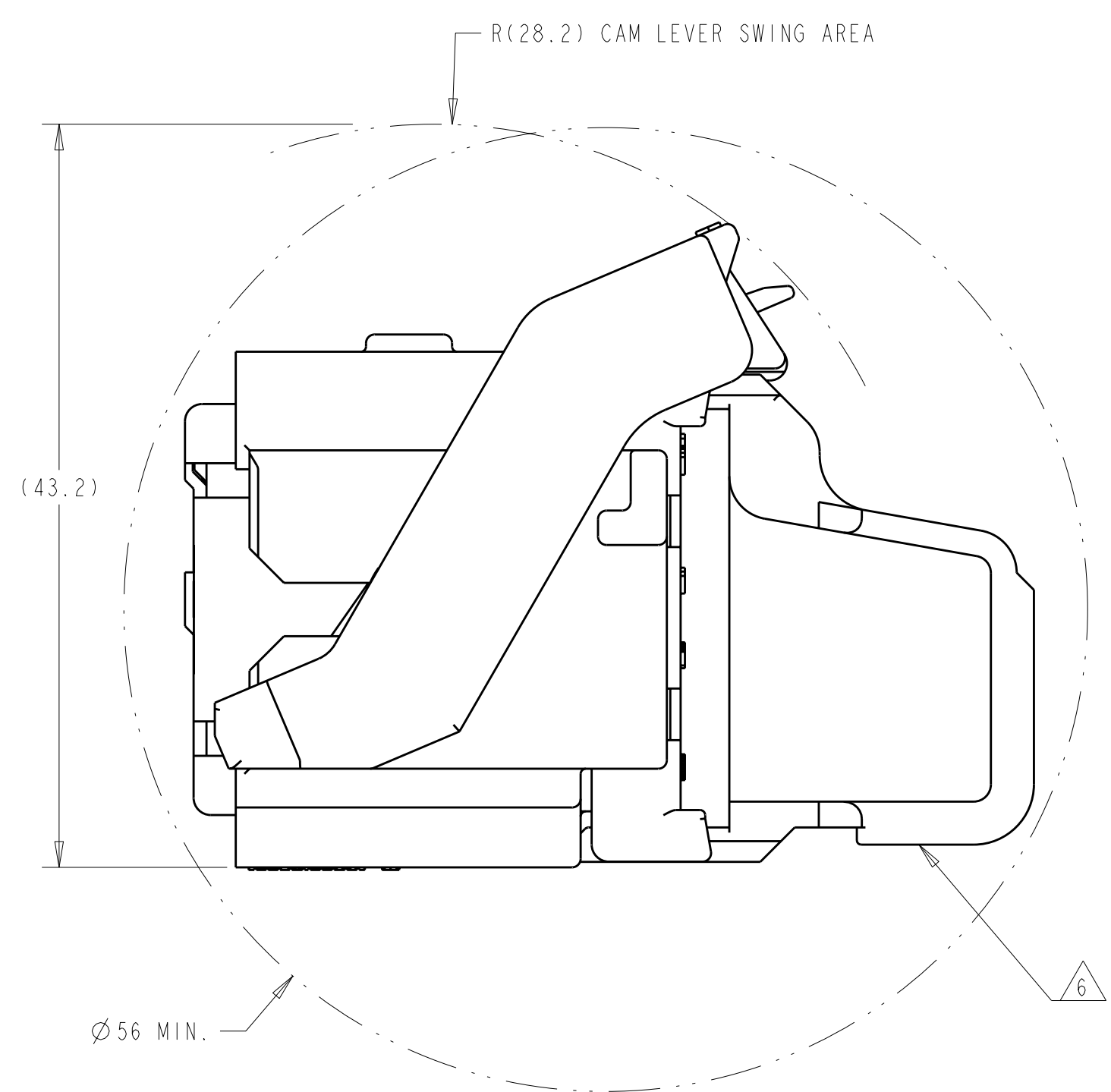
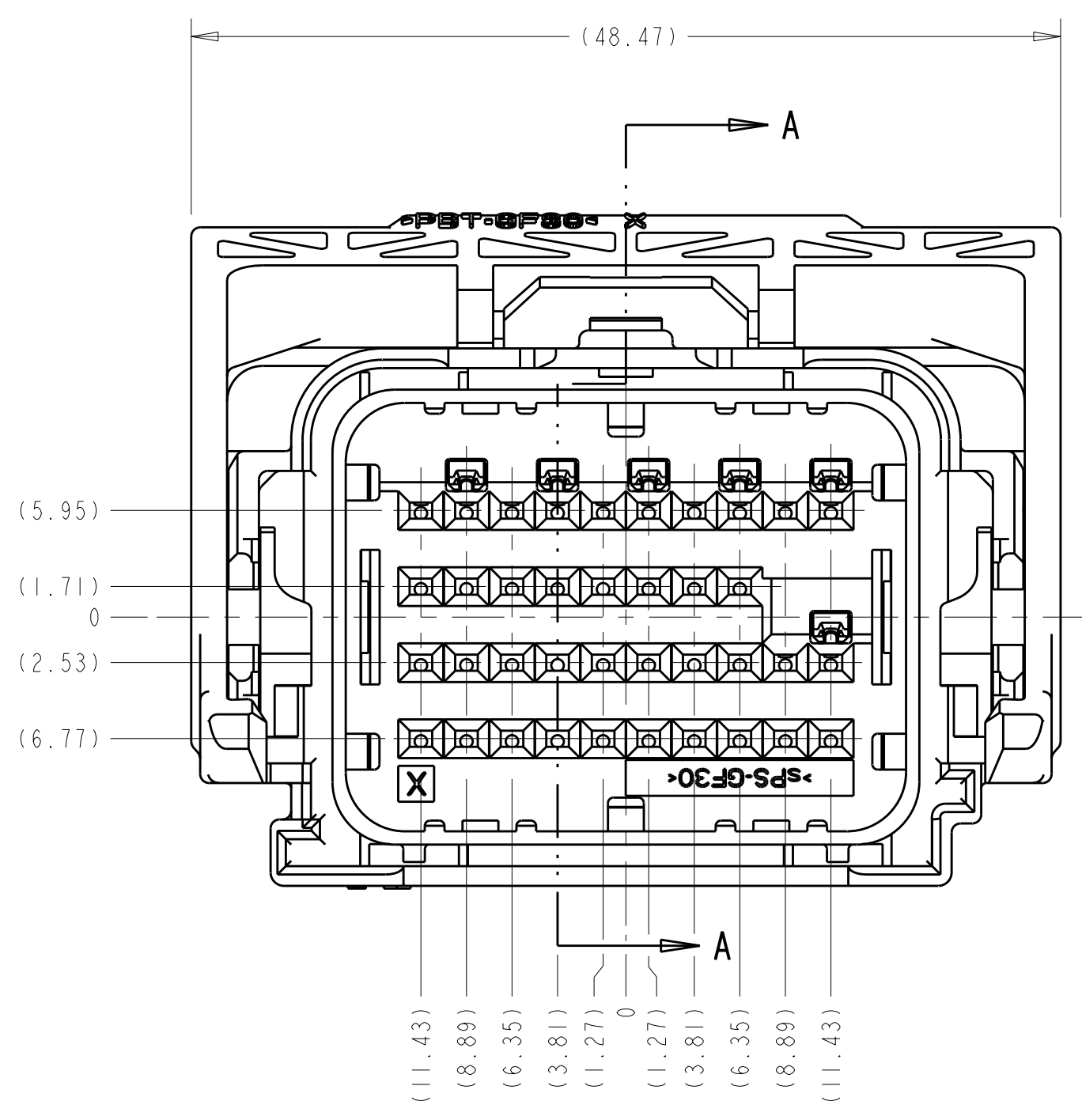


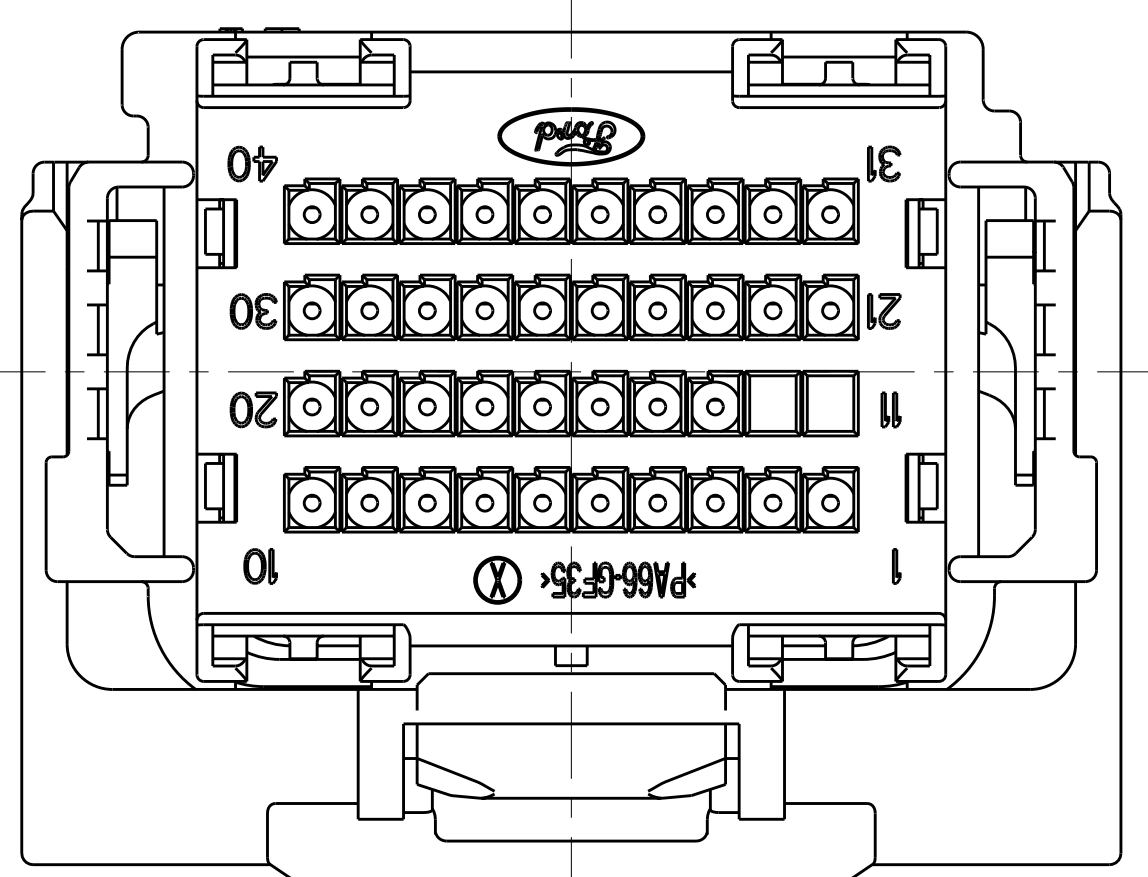
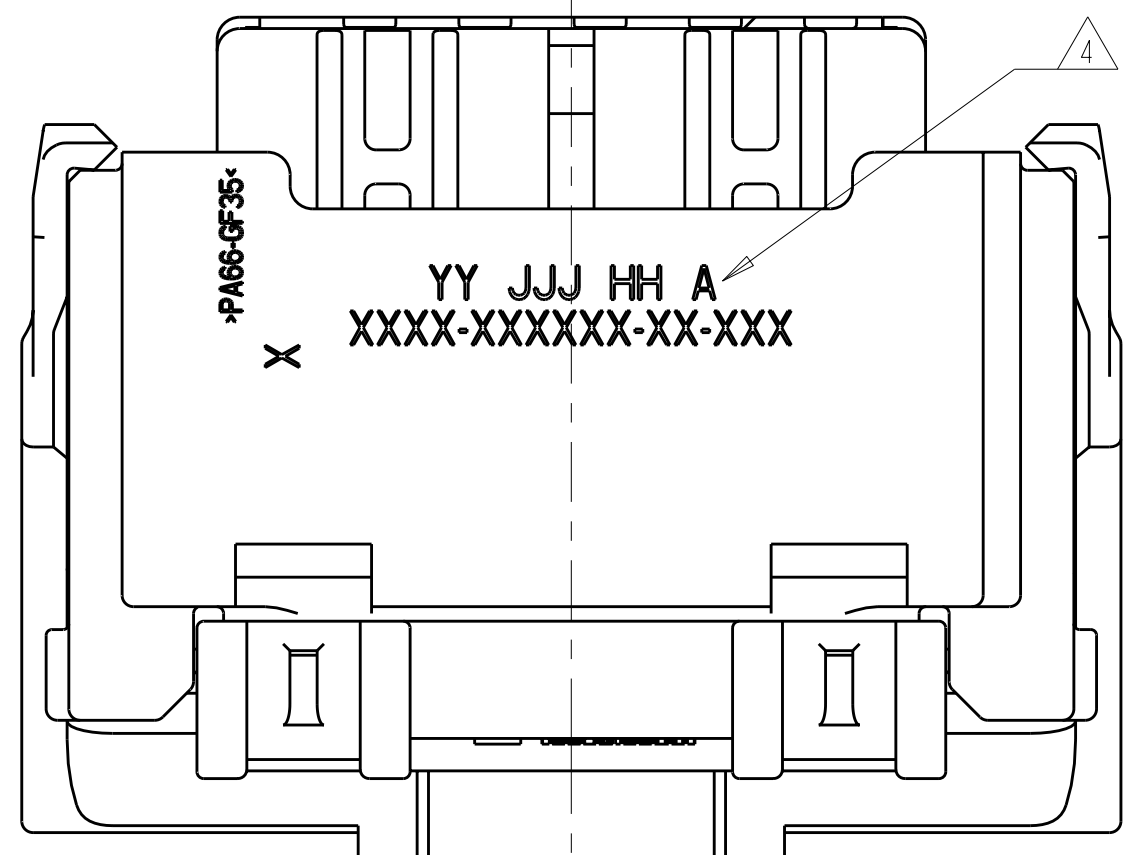
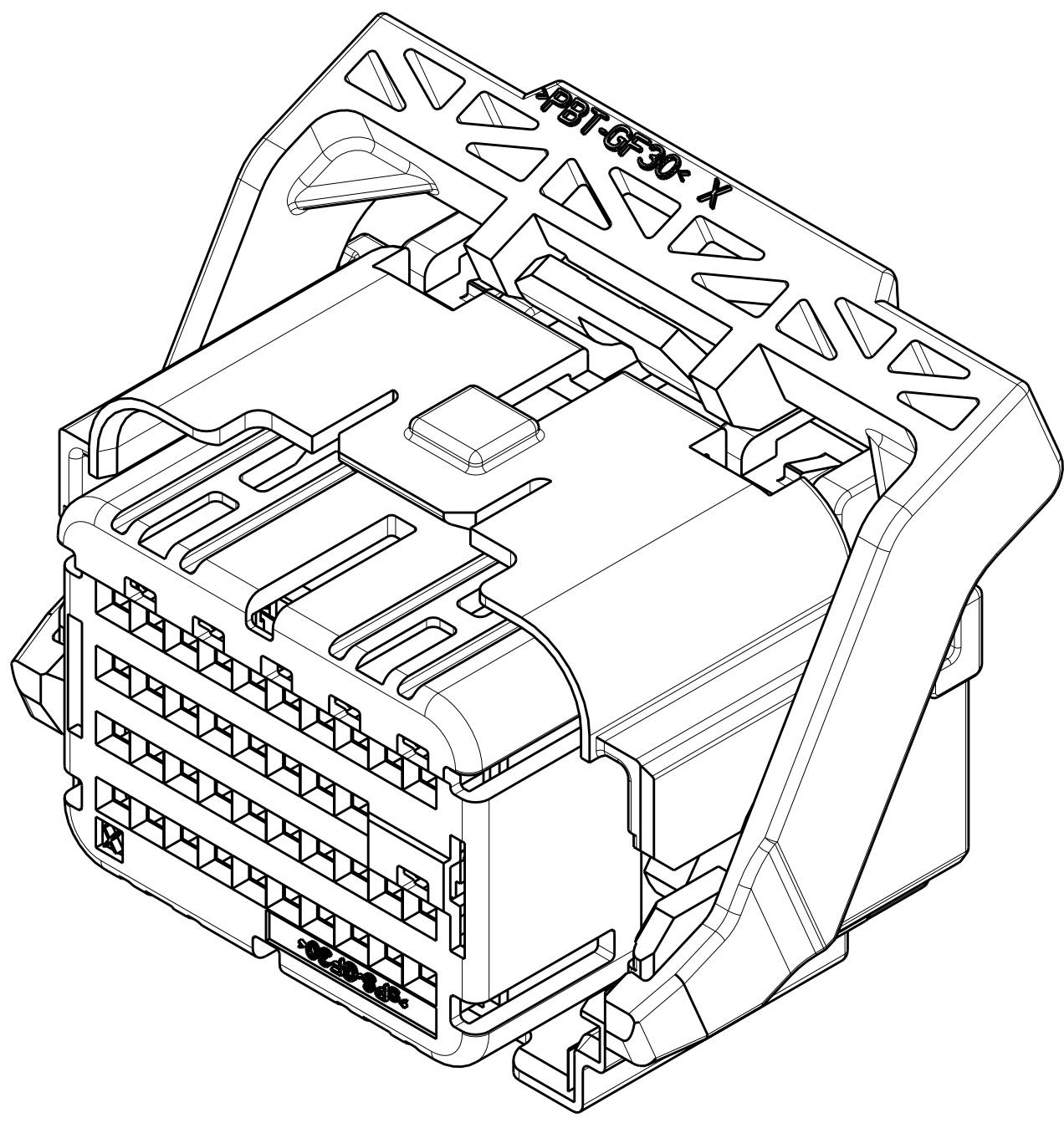
LOC	DIST	REVISIONS			
P	LT#	DESCRIPTION	DATE	OWN	APVD
FX	00	REV PER ECO 08-017679	21 JUL 2008	RGV	WTW



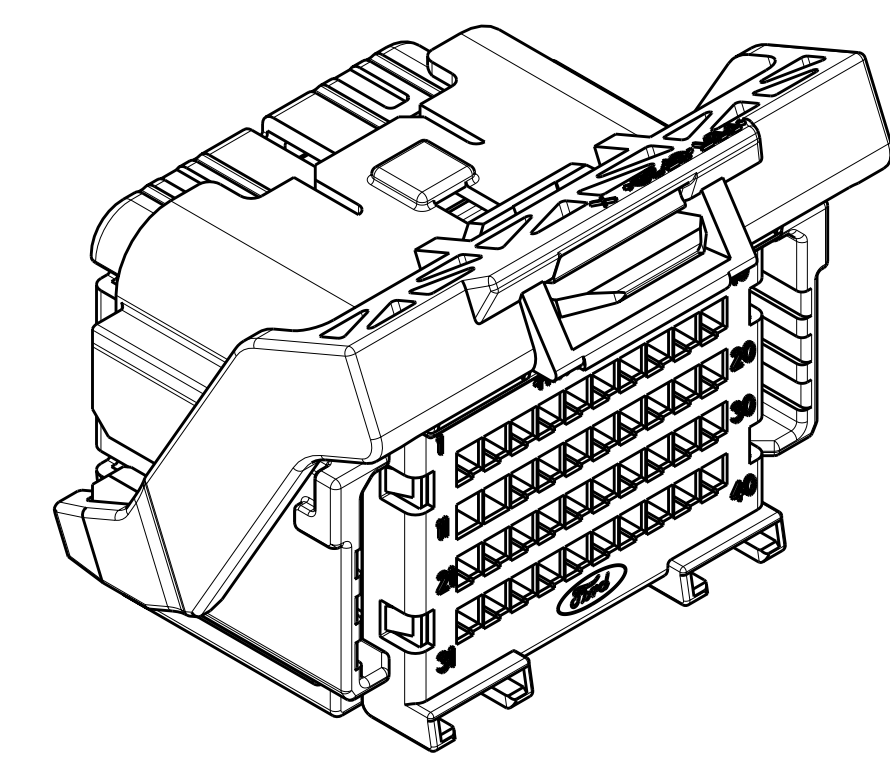
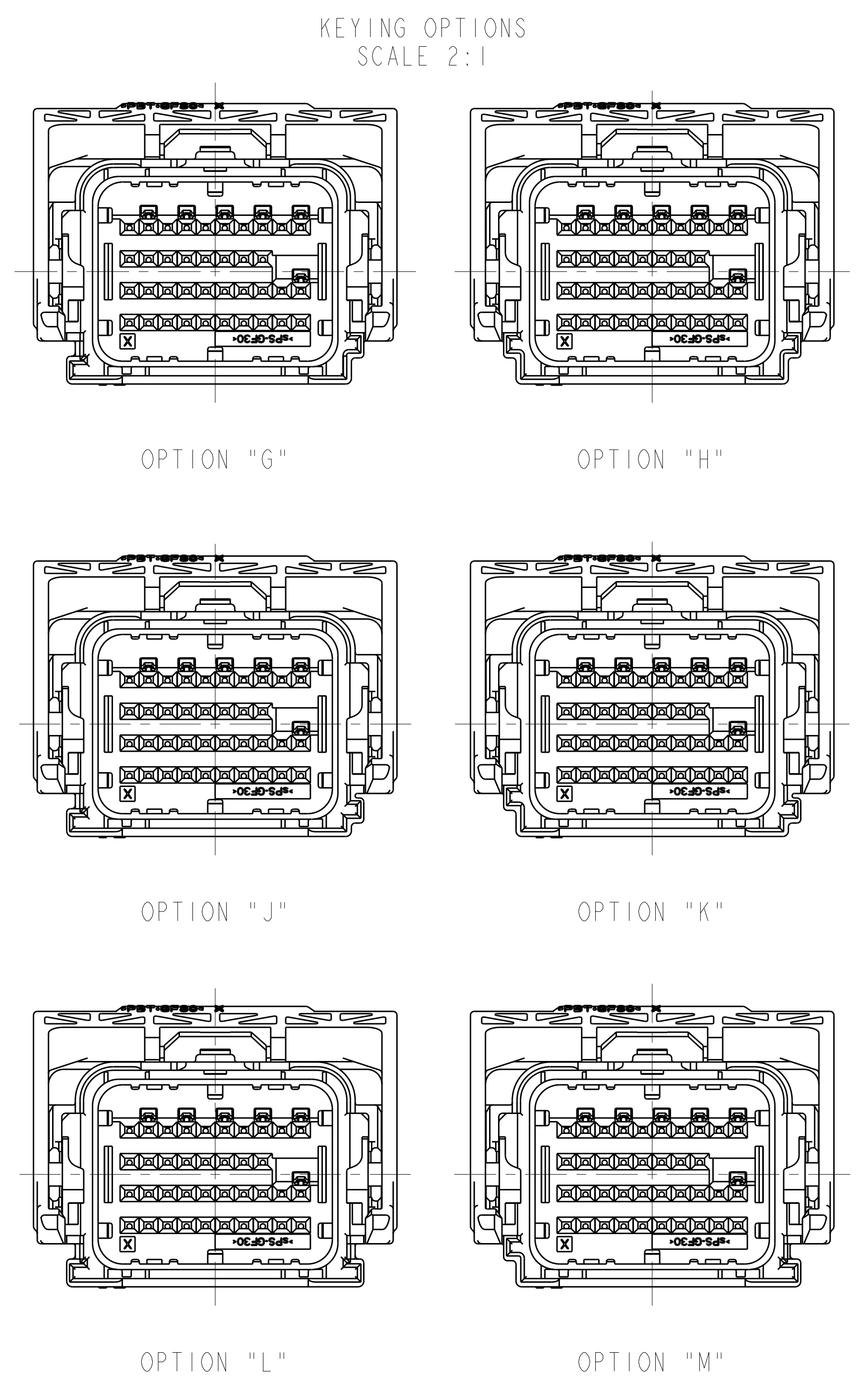
SECTION A-A
 SHOWN WITH CAM LEVER
 AND TPA IN THEIR
 PRE-LOADED POSITIONS
 (DELIVERY CONDITION)



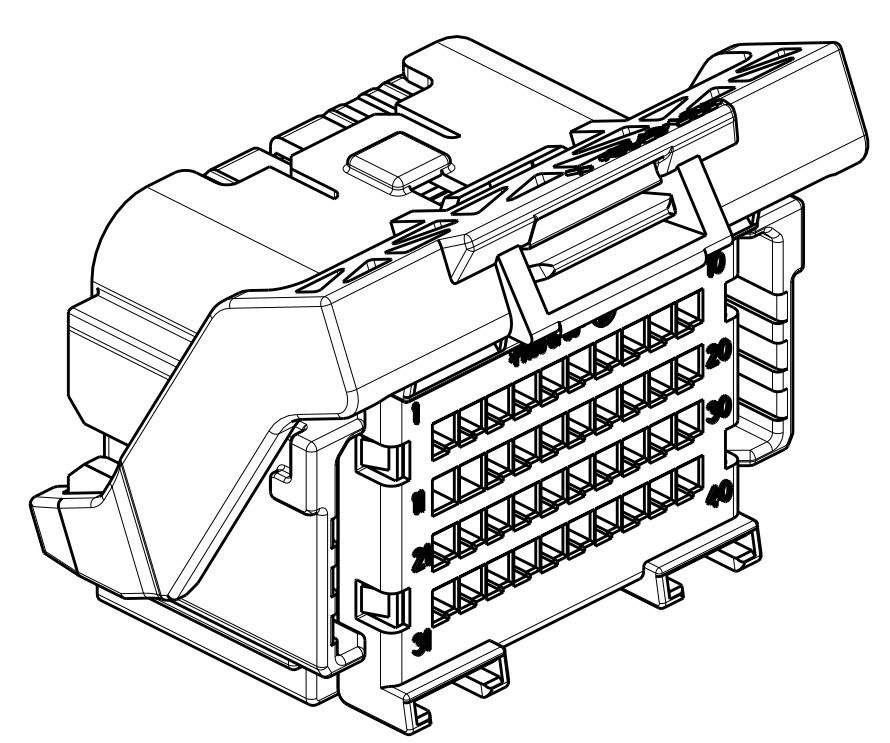
MINIMUM FEED THROUGH CONDITION
 WITH 1mm CLEARANCE ALL AROUND
 SHOWN WITH OPTION WIRESHIELD
 TPA IS IN IT'S LOADED POSITION
 CAM LEVER IS IN IT'S PRE-LOADED POSITION



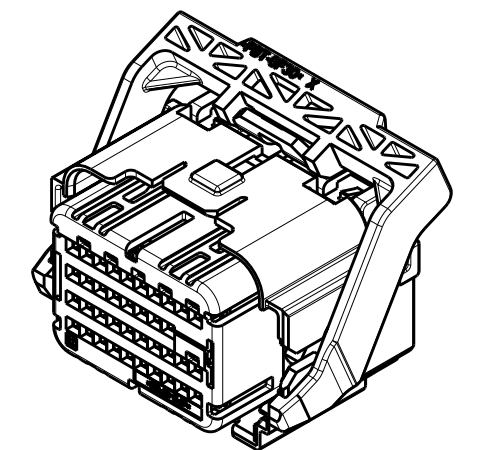
- NOTE(S):
- APPLICABLE TERMINAL PART NUMBERS (SOLD SEPARATELY):
 FOR TIN APPLICATIONS: 1393367 AND 1393366.
 FOR GOLD APPLICATIONS: 1393365 AND 1393364.
 FOR TERMINATION AND REELING OPTIONS
 SEE DRAWINGS 1393367, 1393366, 1393365, AND 1393364.
 - COMPATIBLE WIRE SIZES FOR MAT SEAL DESIGN 1.19 TO 2.06 O.D.
 (22-18 AWG, 0.35-0.75 mm²)
 - TPA AND CAM LEVER ARE SHIPPED IN THEIR PRE-LOADED POSITION.
 ALL ASSEMBLIES ARE TO BE TRAY PACKAGED.
 - CUSTOMER PART NUMBER AND TRACEABILITY CODE (YY = TWO DIGIT YEAR,
 JJJ = JULIAN DAY, HH = TWO DIGIT MILITARY HOUR, A=ASSEMBLY PROCESS
 USED) ARE PRINTED IN THIS LOCATION.
 - PART ASSEMBLY WEIGHT WITHOUT TERMINALS AND WITH STANDARD PIN-OUT
 CONFIGURATION IS 26.09 GRAMS.
 - OPTIONAL WIRESHIELD P/N 8-1419157-8 (SOLD SEPARATELY). PLEASE CONTACT
 YOUR TYCO ELECTRONICS SALES REPRESENTATIVE FOR AVAILABILITY AND PRICING.



SCALE 2:1



THIS VIEW SHOWS THE
 MODIFIED CAM LEVER
 SCALE 2:1



SCALE 1:1

KEYING OPTION "G" SHOWN
 SEE SHEET 2 FOR BILL OF MATERIALS
 AND SHEET 3 FOR PIN-OUT CHARTS

DIMENSIONS: mm		TOLERANCES UNLESS OTHERWISE SPECIFIED: 9 PLC ± 1 PLC ±0.3 5 PLC ±0.10 4 PLC ± ANGLES ±3°		DWN M FORLSKA 20APR2002 CHK M FORLSKA 20APR2002 APVD A VALASEK 20APR2002		Tyco Electronics Harrisburg, PA 17105-3608	
MATERIAL: SEE CHART ON SHEET 2		FINISH:		PRODUCT SPEC: APPLICATION SPEC:		NAME: 40 WAY ARM PLUG ASSEMBLY WITH SHORTING BARS CUSTOMER SPEC.	
CUSTOMER DRAWING		WEIGHT: SEE NOTE 5		SIZE: CAGE CODE: DRAWING NO: A11 00779 C=7-1419157-9		RESTRICTED TO: SCALE: 3:1 SHEET 1 OF 3 REV: BT	

LOC	DIST	REVISIONS				
FX	00	P	LTB	DATE	DWN	APVD
		-	-	SEE SHEET 1	-	-

ASSEMBLY PART NUMBERS										ITEM	DESCRIPTION	MATERIAL	FINISH/COLOR	
											7	CAM LEVER	PBT 30% GF	GRAY
											7	CAM LEVER WITH MODIFIED TAB	PBT 30% GF	GRAY
											6	PERIMETER SEAL	SILICONE	GREEN
											5	GROMMET	SILICONE	BROWN
										6	6	SHORTING BAR	S.S.	SEE COMPONET DRAWING
											3	COVER	PA66 35% GF	BLACK
											2	TPA FOR SHORTING BAR APPLICATIONS	sPS 30% GF	RED
											1	PLUG WITH KEYING OPTION "H" AND 6 SHORTING BAR POSITIONS CONFIGURATION	PA66 35% GF	BLACK
											1	PLUG WITH KEYING OPTION "G" AND 6 SHORTING BAR POSITIONS CONFIGURATION	PA66 35% GF	BLACK
QUANTITY										ITEM	DESCRIPTION	MATERIAL	FINISH/COLOR	

ASSEMBLY PART NUMBERS										ITEM	DESCRIPTION	MATERIAL	FINISH/COLOR	
											7	CAM LEVER	PBT 30% GF	GRAY
											7	CAM LEVER WITH MODIFIED TAB	PBT 30% GF	GRAY
											6	PERIMETER SEAL	SILICONE	GREEN
											5	GROMMET	SILICONE	BROWN
										6	6	SHORTING BAR	S.S.	SEE COMPONET DRAWING
											3	COVER	PA66 35% GF	BLACK
											2	TPA FOR SHORTING BAR APPLICATIONS	sPS 30% GF	RED
											1	PLUG WITH KEYING OPTION "H" AND 6 SHORTING BAR POSITIONS CONFIGURATION	PA66 35% GF	BLACK
											1	PLUG WITH KEYING OPTION "G" AND 6 SHORTING BAR POSITIONS CONFIGURATION	PA66 35% GF	BLACK
QUANTITY										ITEM	DESCRIPTION	MATERIAL	FINISH/COLOR	

ASSEMBLY PART NUMBERS										ITEM	DESCRIPTION	MATERIAL	FINISH/COLOR	
											7	CAM LEVER	PBT 30% GF	GRAY
											7	CAM LEVER WITH MODIFIED TAB	PBT 30% GF	GRAY
											6	PERIMETER SEAL	SILICONE	GREEN
											5	GROMMET	SILICONE	BROWN
										6	6	SHORTING BAR	S.S.	SEE COMPONET DRAWING
											3	COVER	PA66 35% GF	BLACK
											2	TPA FOR SHORTING BAR APPLICATIONS	sPS 30% GF	RED
											1	PLUG WITH KEYING OPTION "H" AND 6 SHORTING BAR POSITIONS CONFIGURATION	PA66 35% GF	BLACK
											1	PLUG WITH KEYING OPTION "G" AND 6 SHORTING BAR POSITIONS CONFIGURATION	PA66 35% GF	BLACK
QUANTITY										ITEM	DESCRIPTION	MATERIAL	FINISH/COLOR	

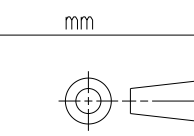
DIMENSIONS: mm 		TOLERANCES UNLESS OTHERWISE SPECIFIED: 0 PLC ±.3 1 PLC ±.3 2 PLC ±.10 3 PLC ±.10 4 PLC ±.10 5 PLC ±.10 6 PLC ±.10 7 PLC ±.10 8 PLC ±.10 9 PLC ±.10 ANGLES ±.3° FINISH -		DWN 20APR2002 CHK M. FORLSKA M. FORLSKA APVD A. VALASEK PRODUCT SPEC APPLICATION SPEC WEIGHT CUSTOMER DRAWING		Tyco Electronics Harrisburg, PA 17105-3608 NAME 40 WAY ARM PLUG ASSEMBLY WITH SHORTING BARS CUSTOMER SPEC. SIZE CAGE CODE DRAWING NO A11 00779 C-7-1419157-9 RESTRICTED TO SCALE 3:1 SHEET 2 OF 3 REV BT	
--	--	---	--	--	--	---	--

CHART 2: A grid table with columns 1-34 and rows 1-34. It contains alphanumeric codes and keying options such as 'KEY "G"', 'KEY "H"', and 'KEY "G"'. Includes a terminal hole position diagram at the bottom.

CHART 1: A grid table with columns 1-34 and rows 1-34. It contains alphanumeric codes and keying options such as 'KEY "G"', 'KEY "H"', and 'KEY "G"'. Includes a terminal hole position diagram at the bottom.



Компания «ЭлектроПласт» предлагает заключение долгосрочных отношений при поставках импортных электронных компонентов на взаимовыгодных условиях!

Наши преимущества:

- Оперативные поставки широкого спектра электронных компонентов отечественного и импортного производства напрямую от производителей и с крупнейших мировых складов;
- Поставка более 17-ти миллионов наименований электронных компонентов;
- Поставка сложных, дефицитных, либо снятых с производства позиций;
- Оперативные сроки поставки под заказ (от 5 рабочих дней);
- Экспресс доставка в любую точку России;
- Техническая поддержка проекта, помощь в подборе аналогов, поставка прототипов;
- Система менеджмента качества сертифицирована по Международному стандарту ISO 9001;
- Лицензия ФСБ на осуществление работ с использованием сведений, составляющих государственную тайну;
- Поставка специализированных компонентов (Xilinx, Altera, Analog Devices, Intersil, Interpoint, Microsemi, Aeroflex, Peregrine, Syfer, Eurofarad, Texas Instrument, Miteq, Cobham, E2V, MA-COM, Hittite, Mini-Circuits, General Dynamics и др.);

Помимо этого, одним из направлений компании «ЭлектроПласт» является направление «Источники питания». Мы предлагаем Вам помощь Конструкторского отдела:

- Подбор оптимального решения, техническое обоснование при выборе компонента;
- Подбор аналогов;
- Консультации по применению компонента;
- Поставка образцов и прототипов;
- Техническая поддержка проекта;
- Защита от снятия компонента с производства.



Как с нами связаться

Телефон: 8 (812) 309 58 32 (многоканальный)

Факс: 8 (812) 320-02-42

Электронная почта: org@eplast1.ru

Адрес: 198099, г. Санкт-Петербург, ул. Калинина, дом 2, корпус 4, литера А.