

## DISTINCTIVE CHARACTERISTICS

- Organic LED technology; now with 30,000 hours life and 30% less power consumption
- Range of 65,536 colors in 16 bit mode, 256 colors in 8 bit mode
- Full viewing angle of 180°
- Exceptional contrast: 50 times greater than previous LCD products
- Four times more enhanced resolution
- High resolution provides sharp, clear images of very small characters
- Operated by commands and data supplied via serial communications (SPI)
- Distinct, long travel of 4.5mm (same as KP01 Series)
- Dust tight construction
- Stylish, translucent black housing design

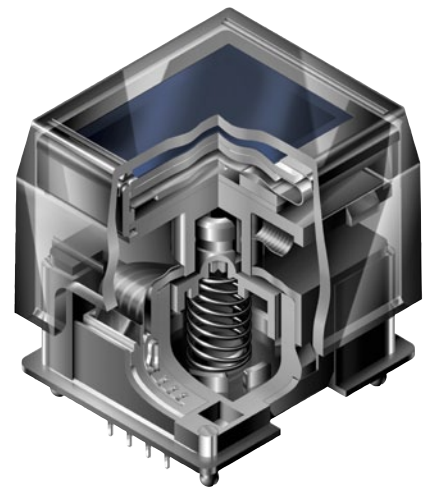
Viewing area: 15.5mm x 11.6mm (horizontal x vertical)

High reliability and long life of three million actuations minimum

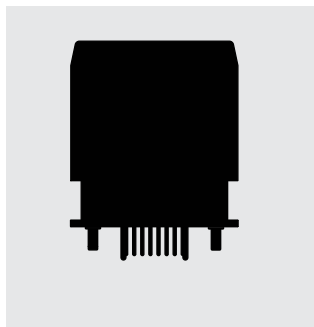
High resolution of 64RGB x 48 pixels

Epoxy sealed straight PC terminals

Snap-in standoff for easy, secure mounting and alignment



Actual Size



## SWITCH DESCRIPTION



Switch Description	OLED	Pixel Format
SPST, Momentary ON Gold Contacts Straight PC Terminals	Color OLED Display Module 65,536 Colors	64RGB x 48 Pixels Horizontal x Vertical

## SWITCH SPECIFICATIONS

<b>Circuit</b>	SPST normally open
<b>Contact Position</b>	Leave actuator: ① – ② OFF Push actuator: ① – ② ON
<b>Electrical Capacity (Resistive Load)</b>	100mA @ 12V DC
<b>Contact Resistance</b>	200 milliohms maximum @ 20mV 10mA
<b>Insulation Resistance</b>	100 megohms minimum @ 100V DC
<b>Dielectric Strength</b>	125V AC for 1 minute minimum
<b>Mechanical Endurance</b>	3,000,000 operations minimum
<b>Electrical Endurance</b>	3,000,000 operations minimum
<b>Operating Force</b>	2.0 ± 0.5 Newtons
<b>Total Travel</b>	4.5mm (.177")

## OLED SPECIFICATIONS

### Characteristics of Display

<b>Display Device</b>	Color OLED display module
<b>Display Mode</b>	Passive matrix
<b>Viewing Area</b>	15.5mm x 11.6mm (horizontal x vertical)
<b>Pixel Format</b>	64RGB x 48 pixels (horizontal x vertical)
<b>Pixel Size</b>	0.21mm x 0.20mm (horizontal x vertical)
<b>Interface</b>	Serial (SPI) interface
<b>Number of Colors</b>	65,536 Colors (16bit: R 5bit/G 6bit/B 5bit) or 256 Colors (8bit: R 2bit/G 3bit/B 3bit)
<b>Operating Temperature Range</b>	-20°C ~ +70°C (-4°F ~ +158°F)
<b>Storage Temperature Range</b>	-30°C ~ +80°C (-22°F ~ +176°F)
<b>Operating Life (Display)</b>	30,000 hours (at 40% pixels ON)

### Absolute Maximum Ratings

Items	Symbols	Ratings
Supply Voltage for Logic/Interface	V <sub>DD</sub>	-0.3V to +4.0V
Supply Voltage for Drive	V <sub>CC</sub>	-0.0V to +19.0V
Input Voltage	V <sub>I</sub>	-0.3V to V <sub>DD</sub> +0.3V

### Current Consumption

(Temperature at 25°C, V<sub>DD</sub> = 2.8V, V<sub>CC</sub> = 16.0V)

Items	Symbols	Min	Typical	Max
All-Pixels-On Mode *Drive System Power Current	I <sub>CC1</sub>	—	3.8mA	4.6mA
All-Pixels-On Mode *Logic/IF System Power Current	I <sub>DD1</sub>	—	0.16mA	0.19mA
Sleep Mode **Drive System Power Current	I <sub>CC2</sub>	—	—	10µA
Sleep Mode **Logic/IF System Power Current	I <sub>DD2</sub>	—	—	10µA

\* All pixels shall be turned on with the maximum level gray scale

\*\* All pixels shall be turned off (while chip is operating)

### Recommended Operating Conditions

Items	Symbols	Minimum	Typical	Maximum
Supply Voltage for Logic/Interface	V <sub>DD</sub>	2.4V	2.8V	3.5V
Supply Voltage for Drive	V <sub>CC</sub>	15.0V	16.0V	17.0V
Input High Level Voltage	V <sub>IH</sub>	0.8 x V <sub>DD</sub>	—	—
Input Low Level Voltage	V <sub>IL</sub>	—	—	0.2 x V <sub>DD</sub>

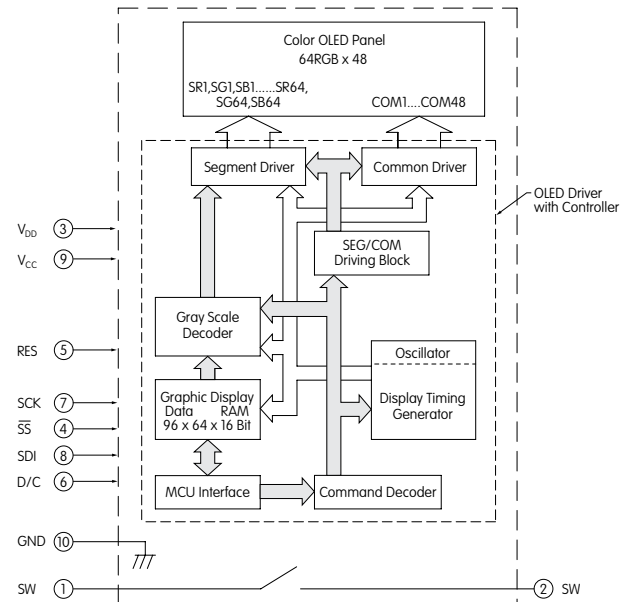
### Optical Characteristics (Temperature at 25°C, Initial Value: 87 x 0F)

Items	Min	Typical	Max	Unit	Remarks
<b>Luminosity</b>	75	100	125	cd/m <sup>2</sup>	White (All pixels on)
<b>White Color Coordinate</b>	(x)	0.26	0.30	0.34	—
	(y)	0.32	0.37	0.42	—
<b>Red Color Coordinate</b>	(x)	0.63	0.67	0.71	—
	(y)	0.29	0.33	0.37	—
<b>Green Color Coordinate</b>	(x)	0.19	0.23	0.27	—
	(y)	0.61	0.65	0.69	—
<b>Blue Color Coordinate</b>	(x)	0.10	0.14	0.18	—
	(y)	0.14	0.20	0.26	—
<b>Contrast Ratio</b>	100	—	—	—	—

## SWITCH BLOCK DIAGRAM & PIN CONFIGURATIONS

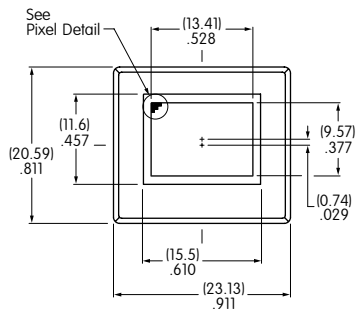


OLED SMARTSWITCH™

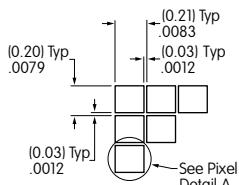


Pin No.	Symbol	Name	Function
①	SW	Terminal of Switch	Normally open
②	SW	Terminal of Switch	Normally open
③	V <sub>DD</sub>	Power	Power source for logic circuit
④	SS	Slave Select	Slave select for SPI. This line is active low.
⑤	RES	Reset	Reset signal input. When pin is low, initialization of chip is executed.
⑥	D/C	Data/Command	Data/Command Control. When pin is pulled low, data will be interpreted as Command; when pulled high, data will be interpreted as Data.
⑦	SCK	Serial Clock	Clock line for SPI that synchronizes command and data
⑧	SDI	Serial Data In	Data input line for SPI
⑨	V <sub>CC</sub>	Power	Power source for drive circuit
⑩	GND	Ground	Connect to Ground

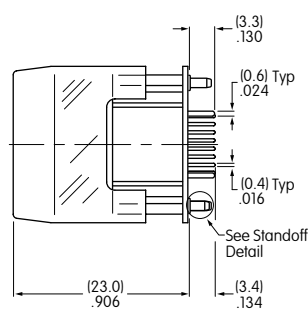
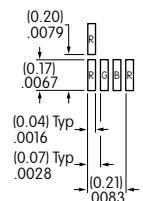
## TYPICAL SWITCH DIMENSIONS



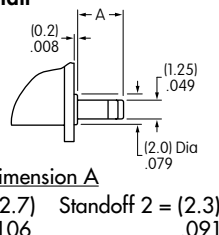
Pixel Detail



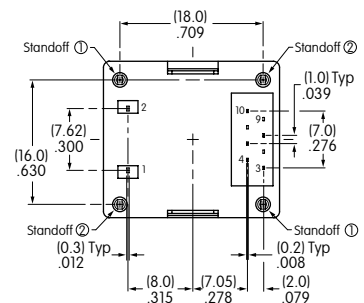
Pixel Detail A



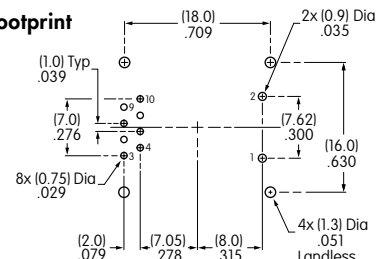
Standoff Detail



Terminal numbers are not on the switch.



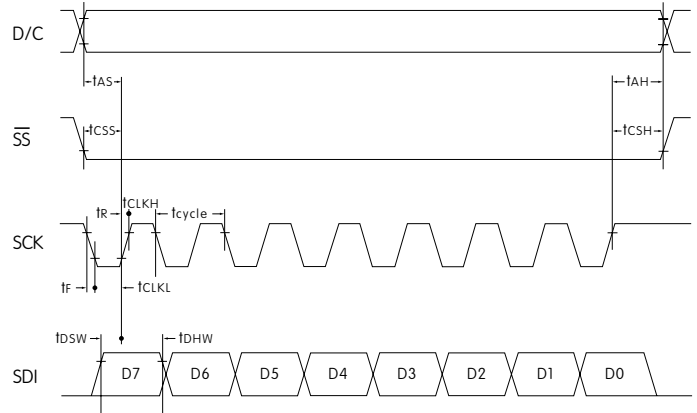
Footprint



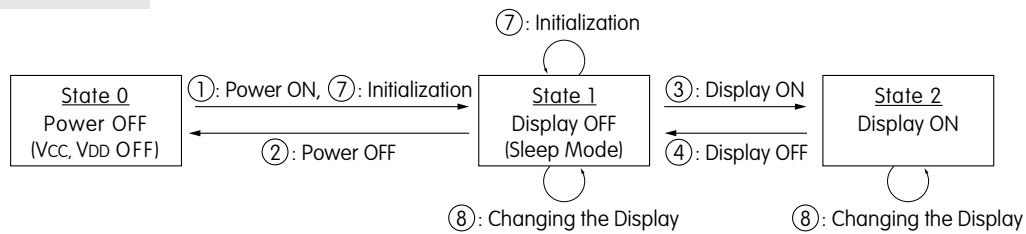
## TIMING SPECIFICATIONS

**AC Characteristics** (Temperature at 25°C),  $V_{DD} = 2.4V \sim 3.5V$

Items	Symbols	Minimum	Typical	Maximum
Clock Cycle Time	$t_{cycle}$	150ns	—	—
D/C Setup Time	$t_{AS}$	40ns	—	—
D/C Hold Time	$t_{AH}$	40ns	—	—
$\overline{SS}$ Setup Time	$t_{CSS}$	75ns	—	—
$\overline{SS}$ Hold Time	$t_{CSH}$	60ns	—	—
Write Data Setup Time	$t_{DSW}$	40ns	—	—
Write Data Hold Time	$t_{DHW}$	40ns	—	—
SCK Low Time	$t_{CLKL}$	75ns	—	—
SCK High Time	$t_{CLKH}$	75ns	—	—
SCK Rise Time	$t_R$	—	—	15ns
SCK Fall Time	$t_F$	—	—	15ns



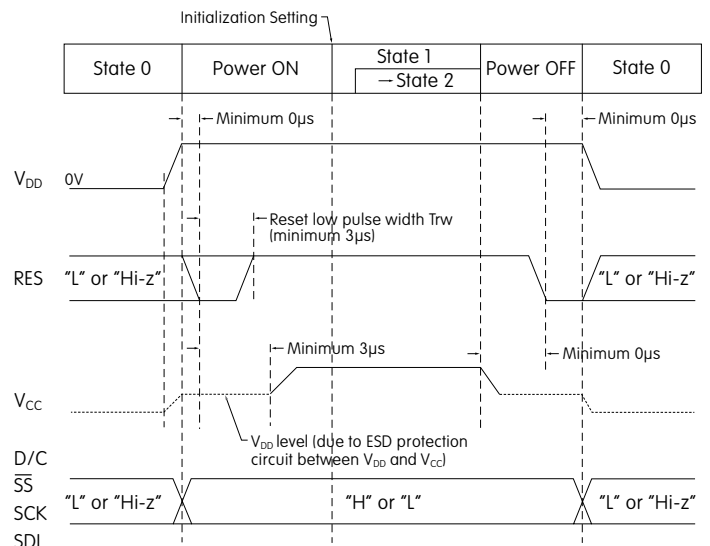
## STATE TRANSITION



State Number	State	Display	Sleep	$V_{CC}$	$V_{DD}$	Changing the Display
0	Power OFF	OFF	—	OFF	OFF	Disable
1	Display OFF	OFF	ON	ON	ON	Enable
2	Display ON	ON	OFF	ON	ON	Enable

State Transition	Transition	Index
①	Power ON	Refer to "Power ON/OFF Sequence"
②	Power OFF	
③	Display ON	
④	Display OFF	
⑦	Initialization	Initialize Setting of Command/Data
⑧	Image Rewriting	Send Display Data
	Display Settings	Dimmer, Scroll, etc.

## Power ON/OFF Sequence



Note: Refer to Application Notes on web site.

## PRECAUTIONS FOR HANDLING & STORAGE OF OLED DEVICES



### Handling

1. The IS Series OLED devices are electrostatic sensitive. To avoid damage to IC, do not touch terminals unless properly isolated from static electricity.
2. Signal input under conditions not recommended may cause damage to the OLED unit or deterioration of the display. Follow directions regarding supply sequences of power and signal voltages.
3. If the OLED panel is broken, avoid touching the contents. Wash off any contact to the skin or clothing.
4. Limit operating force to switch keytop to 100.0N maximum, as excessive pressure may damage the OLED.
5. Recommended soldering time and temperature limits:  
11 seconds maximum @ 270°C maximum; avoid temperatures exceeding 80°C at the OLED.
6. The IS series OLED devices are not process sealed.
7. Pixels acquire diminished brightness over time and use, and those most frequently habituated have greater reduction of brightness than those less used. To minimize this difference, operate OLED unit so that all pixels are used as consistently as possible.
8. Clean cap surface with dry cloth. If further cleaning is needed, wipe with dampened cloth using neutral cleanser and dry with clean cloth. Do not use organic solvent.

### Storage

1. Store in original container and away from direct sunlight.
2. Keep away from static electricity.
3. Avoid extreme temperatures, high humidity, gaseous substances, and all forms of chemical contamination.



Компания «ЭлектроПласт» предлагает заключение долгосрочных отношений при поставках импортных электронных компонентов на взаимовыгодных условиях!

Наши преимущества:

- Оперативные поставки широкого спектра электронных компонентов отечественного и импортного производства напрямую от производителей и с крупнейших мировых складов;
- Поставка более 17-ти миллионов наименований электронных компонентов;
- Поставка сложных, дефицитных, либо снятых с производства позиций;
- Оперативные сроки поставки под заказ (от 5 рабочих дней);
- Экспресс доставка в любую точку России;
- Техническая поддержка проекта, помощь в подборе аналогов, поставка прототипов;
- Система менеджмента качества сертифицирована по Международному стандарту ISO 9001;
- Лицензия ФСБ на осуществление работ с использованием сведений, составляющих государственную тайну;
- Поставка специализированных компонентов (Xilinx, Altera, Analog Devices, Intersil, Interpoint, Microsemi, Aeroflex, Peregrine, Syfer, Eurofarad, Texas Instrument, Miteq, Cobham, E2V, MA-COM, Hittite, Mini-Circuits, General Dynamics и др.);

Помимо этого, одним из направлений компании «ЭлектроПласт» является направление «Источники питания». Мы предлагаем Вам помощь Конструкторского отдела:

- Подбор оптимального решения, техническое обоснование при выборе компонента;
- Подбор аналогов;
- Консультации по применению компонента;
- Поставка образцов и прототипов;
- Техническая поддержка проекта;
- Защита от снятия компонента с производства.



#### Как с нами связаться

**Телефон:** 8 (812) 309 58 32 (многоканальный)

**Факс:** 8 (812) 320-02-42

**Электронная почта:** [org@eplast1.ru](mailto:org@eplast1.ru)

**Адрес:** 198099, г. Санкт-Петербург, ул. Калинина, дом 2, корпус 4, литера А.