

Type SCR Commutating Capacitors

Type SCR Film-Paper/Extended Foil Commutating Capacitor



Type SCR capacitors are for SCR (silicon controlled rectifier) commutating applications that require high peak and rms current capability. These capacitors are ideal for other high frequency and pulsed applications. The SCR is supplied in oval or rectangular metal cases with 1/4 x 20 threaded stud and insulated terminals to withstand high current and high peak voltages.

Highlights

- Conforms to EIA RS401 for power semiconductor applications
- Non ferrous covers available for high frequency applications
- 40,000 hours life at full rated voltage and temperature
- High voltage, high current and high frequency

Specifications



Complies with the EU Directive 2002/95/EC requirement restricting the use of Lead (Pb), Mercury (Hg), Cadmium (Cd), Hexavalent chromium (Cr(VI)), PolyBrominated Biphenyls (PBB) and PolyBrominated Diphenyl Ethers (PBDE).

Capacitance Range: 0.25 μ F to 50.0 μ F

Voltage Range: 200 Vpk to 2000 Vpk

Capacitance Tolerance: \pm 10%

Temperature Range: -40° C to $+65^{\circ}$ C

Surface Temperature: $+80^{\circ}$ C

Ratings

| Cap (μ F) | Catalog Part Number | Case Code | H (In.) | Max VA (65 $^{\circ}$ C) | Max (Arms) |
|--|------------------------|--------------|------------|-----------------------------|---------------|
| 200 Vpk (Paper Dielectric) | | | | | |
| 3 | SCRN201R-F | A | 2.13 | 400 | 60 |
| 5 | SCRN202R-F | A | 2.63 | 465 | 60 |
| 10 | SCRN203R-F | A | 3.88 | 625 | 60 |
| 15 | SCRN205R-F | A | 4.75 | 765 | 60 |
| 20 | SCRN206R-F | B | 4.25 | 875 | 60 |
| 30 | SCRN208R-F | C | 5.25 | 1200 | 60 |
| 40 | SCRN209R-F | C | 6.75 | 1500 | 60 |
| 50 | SCRN210R-F | D | 5.75 | 1590 | 60 |
| 400 Vpk (Film and Paper Dielectric) | | | | | |
| 2 | SCRN211R-F | A | 2.63 | 790 | 60 |
| 3 | SCRN212R-F | A | 2.63 | 970 | 60 |
| 5 | SCRN213R-F | A | 3.88 | 1130 | 60 |
| 10 | SCRN214R-F | B | 4.75 | 1930 | 60 |
| 15 | SCRN215R-F | C | 4.75 | 2240 | 60 |
| 20 | SCRN216R-F | C | 6.25 | 2800 | 60 |
| 30 | SCRN217R-F | D | 6.75 | 3720 | 60 |
| 40 | SCRN218R-F | D | 8.00 | 4330 | 60 |
| 50 | SCRN219R-F | E | 6.25 | 6050 | 100 |
| 600 Vpk (Film and Paper Dielectric) | | | | | |
| 2 | SCRN220R-F | A | 2.63 | 815 | 60 |
| 3 | SCRN221R-F | A | 3.13 | 1200 | 60 |
| 5 | SCRN222R-F | A | 4.25 | 1420 | 60 |
| 10 | SCRN224R-F | C | 4.25 | 2040 | 60 |
| 15 | SCRN226R-F | C | 5.75 | 2800 | 60 |
| 20 | SCRN227R-F | D | 5.75 | 3260 | 60 |
| 25 | SCRN229R-F | D | 6.75 | 3720 | 60 |
| 30 | SCRN230R-F | D | 8.00 | 4330 | 60 |
| 40 | SCRN231R-F | E | 6.25 | 6060 | 100 |
| 50 | SCRN232R-F | E | 7.25 | 6850 | 100 |

| Cap (μ F) | Catalog Part Number | Case Code | H (In.) | Max VA (65 $^{\circ}$ C) | Max (Arms) |
|---|------------------------|--------------|------------|-----------------------------|---------------|
| 600 Vpk (Film Dielectric for Low-loss) | | | | | |
| 1 | SCRN262R-F | A | 2.38 | 2200 | 60 |
| 2 | SCRN263R-F | A | 2.38 | 2060 | 60 |
| 3 | SCRN264R-F | A | 3.88 | 3190 | 60 |
| 5 | SCRN265R-F | A | 4.25 | 4380 | 60 |
| 10 | SCRN266R-F | C | 4.25 | 6060 | 60 |
| 1000 Vpk (Film and Paper Dielectric) | | | | | |
| 1 | SCRN233R-F | A | 2.13 | 790 | 60 |
| 2 | SCRN234R-F | A | 3.13 | 1070 | 60 |
| 3 | SCRN235R-F | A | 3.88 | 1455 | 60 |
| 5 | SCRN236R-F | B | 4.25 | 1785 | 60 |
| 10 | SCRN237R-F | C | 5.75 | 2570 | 60 |
| 15 | SCRN238R-F | D | 5.75 | 3170 | 60 |
| 20 | SCRN239R-F | E | 5.13 | 5200 | 100 |
| 1500 Vpk (Film and Paper Dielectric) | | | | | |
| .5 | SCRN240R-F | A | 2.13 | 990 | 60 |
| 1 | SCRN241R-F | A | 2.88 | 1240 | 60 |
| 2 | SCRN242R-F | B | 3.50 | 1890 | 60 |
| 3 | SCRN243R-F | C | 4.25 | 2550 | 60 |
| 5 | SCRN244R-F | C | 5.75 | 3250 | 60 |
| 10 | SCRN245R-F | E | 5.13 | 6500 | 100 |
| 2000 Vpk (Film and Paper Dielectric) | | | | | |
| .25 | SCRN246R-F | A | 2.13 | 990 | 60 |
| .33 | SCRN257R-F | A | 2.13 | 1000 | 60 |
| .5 | SCRN247R-F | A | 2.63 | 1180 | 60 |
| 1 | SCRN248R-F | A | 3.13 | 1300 | 60 |
| 2 | SCRN249R-F | B | 4.25 | 2230 | 60 |
| 3 | SCRN251R-F | C | 4.75 | 2800 | 60 |
| 5 | SCRN253R-F | D | 5.75 | 4020 | 60 |
| 10 | SCRN256R-F | F | 5.75 | 7600 | 100 |

Type SCR Commutating Capacitors

Outline Drawings

RoHS Compliant

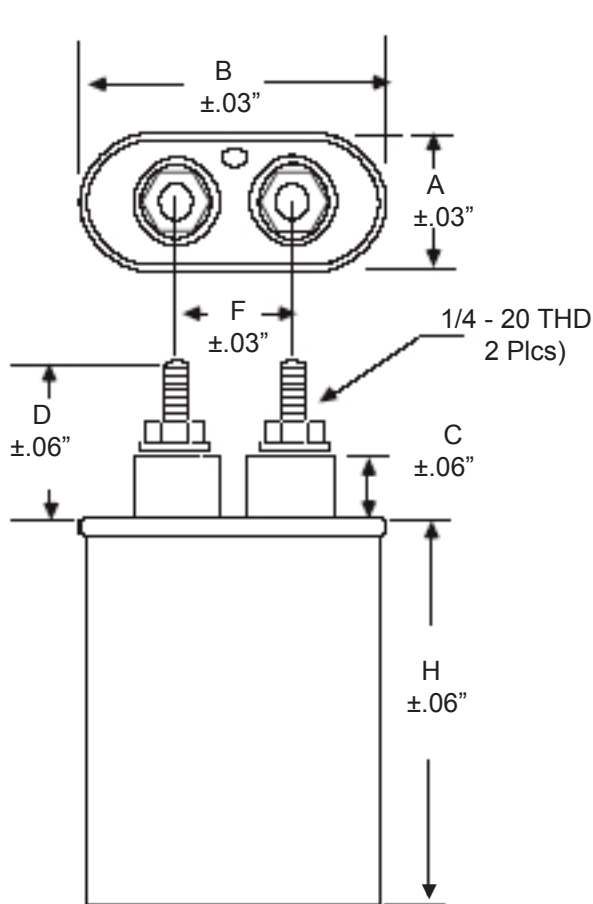


Figure 1

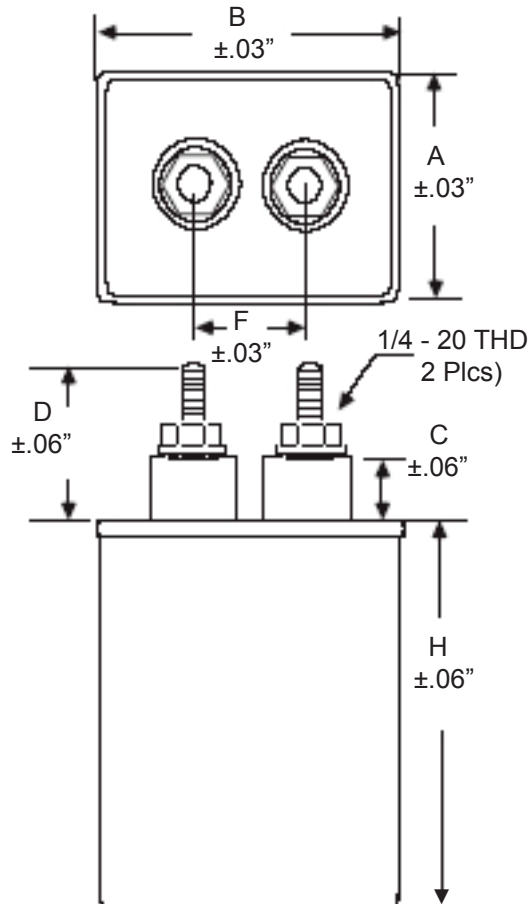


Figure 2

| Case Code | Dimensions Inches | | | | | | Figure |
|-----------|-------------------|------|------|------|------|-----------|--------|
| | A | B | C | D | F | H | |
| A | 1.31 | 2.16 | 0.56 | 1.19 | 0.81 | see table | Fig. 1 |
| B | 1.56 | 2.69 | 0.50 | 1.13 | 1.25 | see table | Fig. 1 |
| C | 1.91 | 2.91 | 0.50 | 1.13 | 1.38 | see table | Fig. 1 |
| D | 1.97 | 3.66 | 0.50 | 1.13 | 1.38 | see table | Fig. 1 |
| E | 2.84 | 4.56 | 0.50 | 1.13 | 2.00 | see table | Fig. 2 |
| F | 3.75 | 4.56 | 0.56 | 1.19 | 2.00 | see table | Fig. 2 |

Mounting Hardware

See catalog page 5.000 for hardware

Type SCR Commutating Capacitors

How to Choose a Commutating Capacitor

1. From circuit analysis or measurement, determine application values for these six parameters:

- Nominal capacitance in μF
- Current pulse width in μs
- Current pulse period in μs
- Maximum peak voltage
- Continuous AC voltage in V_{rms}
- Maximum volt-amps (VA)

2. Choose a capacitor from the ratings table of the desired nominal capacitance with a peak voltage rating no less than your maximum peak voltage.

3. Check that your application's rms current is no more than the capacitor's Max. Amps RMS. You can calculate

the current from your V_{rms} using the equations in the following section.

4. Check that your application's volt-amperes is not more than the capacitor's VA capability. The VA capability is the max VA rating times the Volt-Ampere multiplier from Figure 2 (Current Pulse Width) and that times the Volt-Ampere Multiplier from Figure 3 (Ambient Temperature). See the following section for more on using volt-ampere multipliers

If you need a greater VA capability, repeat these steps for a higher peak voltage capacitor or consider connecting units in parallel to divide the VA required. For up to peak voltage of 600 V, you may also consider polypropylene film dielectric units, Catalog Numbers SCRN262R through SCRN266R, with higher VA capability.

Using Volt-Ampere Ratings

The capacitors maximum VA rating is the maximum product of the sine wave voltage and current that may be applied at 65 °C without overheating the capacitor and reducing its expected life. For other temperatures and pulsed current, use the multipliers of Figures 2 and 3 to derate the Max VA rating.

The Max Amps RMS rating is set by the capability of the capacitor terminals. Exceeding this limit can damage the terminals and cause capacitor failure.

Calculate the capacitor's actual VA load as the product of the rms voltage across the capacitor and the rms current through the capacitor. To calculate rms current for an applied sine wave or squarewave voltage, use these equations.

For a sinewave voltage the current is:

$$I_{\text{rms}} = 2\pi f C V_{\text{rms}} \times 10^{-6}$$

and for a squarewave the current is:

$$I_{\text{rms}} = C \Delta V / [0.64(t/T)^{0.5}] = I_{\text{peak}}(t/T)^{0.5}$$

where (f) is repetition frequency in Hz, C is nominal capacitance in μF , ΔV the peak-to-peak squarewave amplitude in volts, (t) is the pulse width in μs and T is the pulse period in μs .

The peak current for the square wave voltage is:

$$I_{\text{peak}} = C \Delta V / 0.64t$$

Pulse Wave Applications

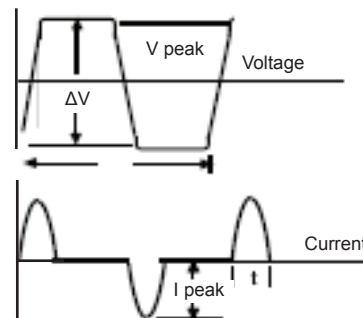


Figure 1

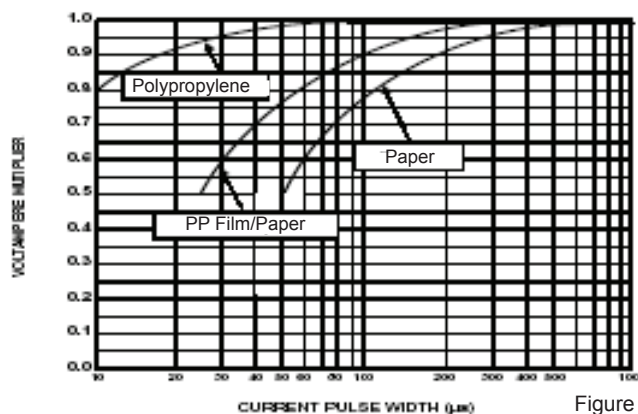


Figure 2



Figure 3



Компания «ЭлектроПласт» предлагает заключение долгосрочных отношений при поставках импортных электронных компонентов на взаимовыгодных условиях!

Наши преимущества:

- Оперативные поставки широкого спектра электронных компонентов отечественного и импортного производства напрямую от производителей и с крупнейших мировых складов;
- Поставка более 17-ти миллионов наименований электронных компонентов;
- Поставка сложных, дефицитных, либо снятых с производства позиций;
- Оперативные сроки поставки под заказ (от 5 рабочих дней);
- Экспресс доставка в любую точку России;
- Техническая поддержка проекта, помощь в подборе аналогов, поставка прототипов;
- Система менеджмента качества сертифицирована по Международному стандарту ISO 9001;
- Лицензия ФСБ на осуществление работ с использованием сведений, составляющих государственную тайну;
- Поставка специализированных компонентов (Xilinx, Altera, Analog Devices, Intersil, Interpoint, Microsemi, Aeroflex, Peregrine, Syfer, Eurofarad, Texas Instrument, Miteq, Cobham, E2V, MA-COM, Hittite, Mini-Circuits, General Dynamics и др.);

Помимо этого, одним из направлений компании «ЭлектроПласт» является направление «Источники питания». Мы предлагаем Вам помощь Конструкторского отдела:

- Подбор оптимального решения, техническое обоснование при выборе компонента;
- Подбор аналогов;
- Консультации по применению компонента;
- Поставка образцов и прототипов;
- Техническая поддержка проекта;
- Защита от снятия компонента с производства.



Как с нами связаться

Телефон: 8 (812) 309 58 32 (многоканальный)

Факс: 8 (812) 320-02-42

Электронная почта: org@eplast1.ru

Адрес: 198099, г. Санкт-Петербург, ул. Калинина, дом 2, корпус 4, литера А.