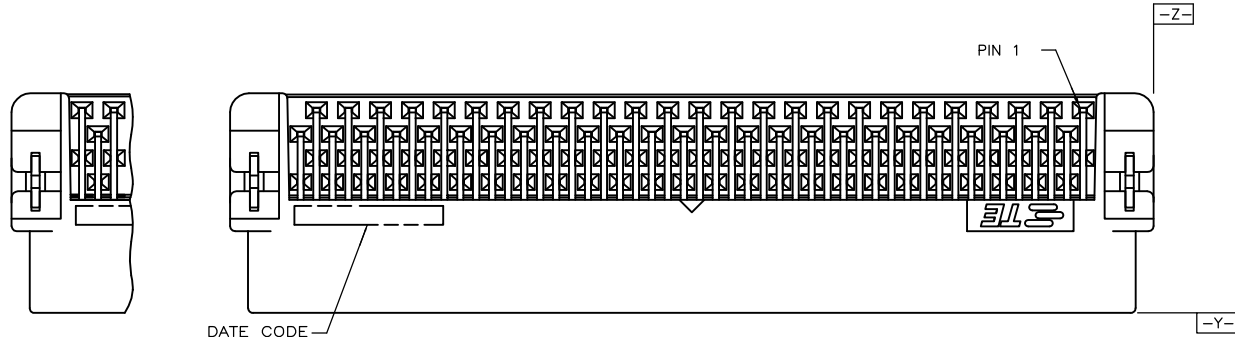
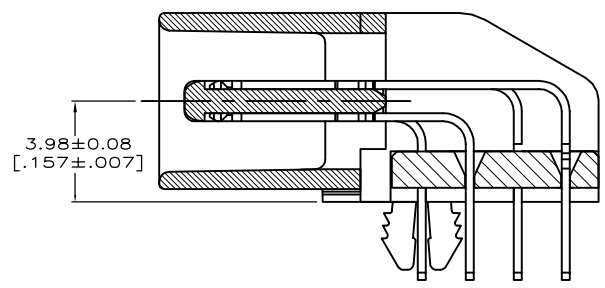


P	LTR	DESCRIPTION	DATE	DWN	APVD
H		REVISED PER ECO-17-013991	22SEP2017	RG	SH

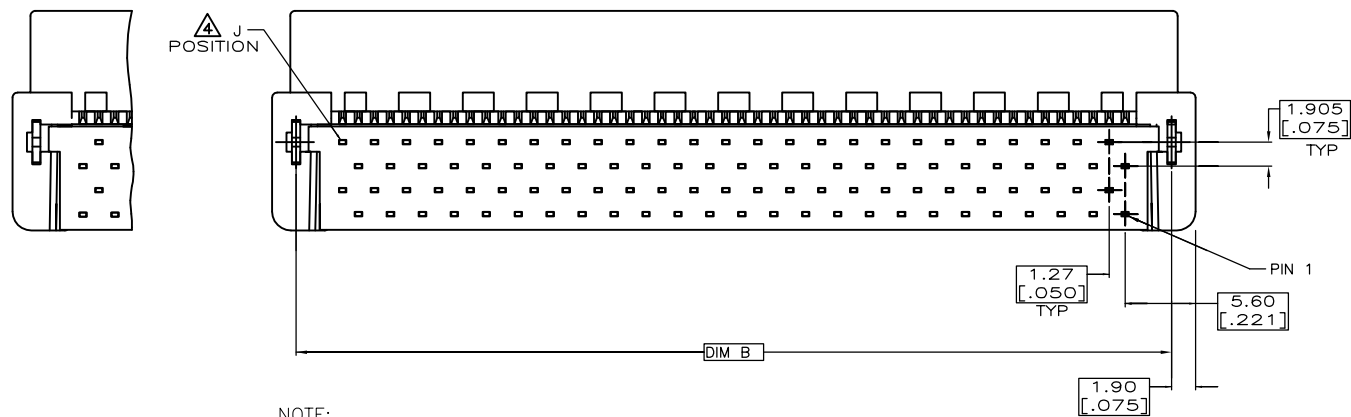
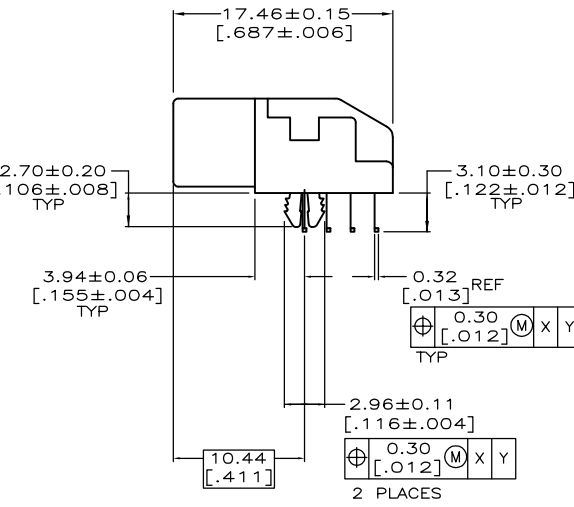
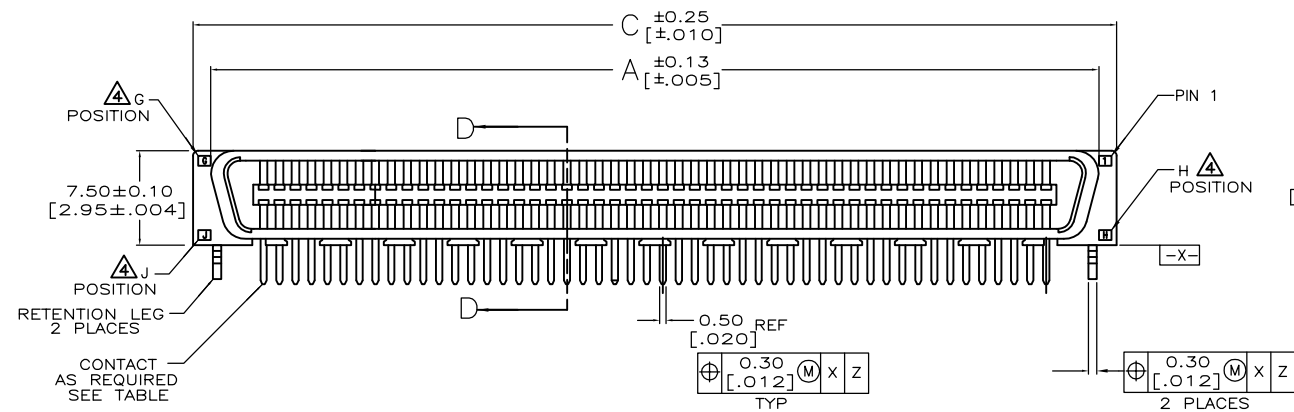


FOR 50 AND 130 POSITIONS ONLY

FOR 40, 60, 68, 80, 100, 120, 140, 160, 180 AND 200 POSITIONS ONLY



SECTION D-D  
SCALE 8:1



NOTE:  
 1. MATERIAL:  
 HOUSING: LCP, UL 94V-0, BLACK COLOR.  
 CONTACTS: BRASS.  
 BOARDLOCKS: BRASS.  
 FINISH:  
 CONTACTS: (SEE TABLE) GOLD PLATED ON CONTACT AREA,  
 3.81µm [150µ"] MIN. MATTE-TIN ON SOLDERTAIL, OVER  
 1.27µm [50µ"] MIN. NICKEL UNDERPLATED.  
 BOARDLOCKS: 3.81µm [150µ"] MIN. TIN-Cu OVER  
 1.27µm [50µ"] MIN. UNDERPLATED.  
 3. WAVE SOLDER CAPABLE TO 265°C PER TEST SPEC.  
 109-202, CONDITION B.  
 G, J, H INDICATE NUMBER OF POSITION MARKED ON ASSEMBLY.  
 ALSO SEE TABLE.  
 GOLD FLASH OVER  
 0.762µm [30µ"] MIN. PALLADIUM-NICKEL PLATED.

E1	OBSOLETE	DIMENSIONS (mm)			CAGE CODE	DRAWING NO	GOLD FLASH	PART NUMBER	POS.	
		136.93 [5.891]	133.13 [5.241]	134.07 [5.278]						
		100	200	101			GOLD FLASH	5-1734099-8	200	
							0.381µm [15µ"]	3-1734099-8		
							△	1-1734099-8		
		111.53 [4.391]	107.73 [4.241]	108.67 [4.278]	80	160	81	GOLD FLASH	5-1734099-6	
							0.381µm [15µ"]	3-1734099-6	160	
							△	1-1734099-6		
		98.83 [3.891]	95.03 [3.741]	95.97 [3.778]	70	140	71	GOLD FLASH	5-1734099-4	
							0.381µm [15µ"]	3-1734099-4	140	
							△	1-1734099-4		
		86.13 [3.391]	82.33 [3.241]	83.27 [3.278]	20	120	61	GOLD FLASH	5-1734099-2	
							0.381µm [15µ"]	3-1734099-2	120	
							△	1-1734099-2		
		73.43 [2.891]	69.63 [2.741]	70.57 [2.778]	50	100	51	GOLD FLASH	5-1734099-0	
							0.381µm [15µ"]	3-1734099-0	100	
							△	1-1734099-0		
		60.73 [2.391]	56.93 [2.241]	57.87 [2.278]	40	80	41	GOLD FLASH	4-1734099-8	
							0.381µm [15µ"]	2-1734099-8	80	
							△	1734099-8		
		53.11 [2.091]	49.31 [1.941]	50.25 [1.978]	34	68	35	GOLD FLASH	4-1734099-7	
							0.381µm [15µ"]	2-1734099-7	68	
							△	1734099-7		
		48.03 [1.891]	44.23 [1.741]	45.17 [1.778]	30	60	31	GOLD FLASH	4-1734099-6	
							0.381µm [15µ"]	2-1734099-6	60	
							△	1734099-6		
		41.68 [1.641]	37.88 [1.491]	38.82 [1.528]	25	50	26	GOLD FLASH	4-1734099-5	
							0.381µm [15µ"]	2-1734099-5	50	
							△	1734099-5		
		35.33 [1.391]	31.53 [1.241]	32.47 [1.278]	20	40	21	GOLD FLASH	4-1734099-4	
							0.381µm [15µ"]	2-1734099-4	40	
							△	1734099-4		
		C	B	A	G	J	H	GOLD PLATED	PART NUMBER	POS.

THIS DRAWING IS A CONTROLLED DOCUMENT.

DWN F. YANG 31MAR2009  
 CHK S. CHIEN 31MAR2009  
 APVD W. KODAMA 31MAR2009

DIMENSIONS: mm  
 TOLERANCES UNLESS OTHERWISE SPECIFIED:  
 0 PLC ± -  
 1 PLC ± 0.25  
 2 PLC ± 0.2  
 3 PLC ± -  
 4 PLC ± -  
 ANGLES ± -

MATERIAL SEE NOTE  
 FINISH SEE NOTE

PRODUCT SPEC 108-57876  
 APPLICATION SPEC -  
 WEIGHT 0

CUSTOMER DRAWING

**STE** TE Connectivity

PLUG ASSEMBLY, R/A,  
 BTB, CHAMP .050, SERIES I

SIZE A3 CAGE CODE 00779 DRAWING NO C-1734099 RESTRICTED TO -

SCALE - SHEET 1 of 5 REV H

THIS DRAWING IS UNPUBLISHED.

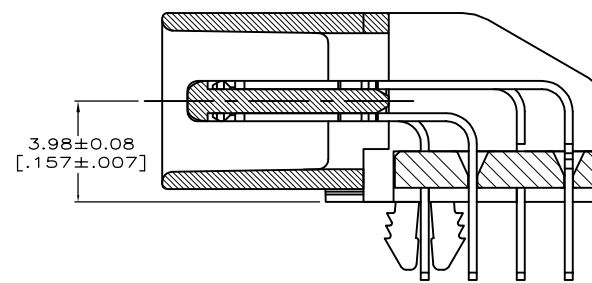
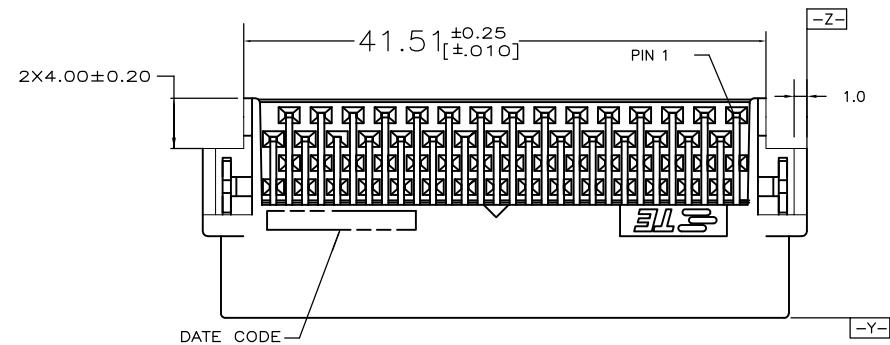
RELEASED FOR PUBLICATION

REVISIONS

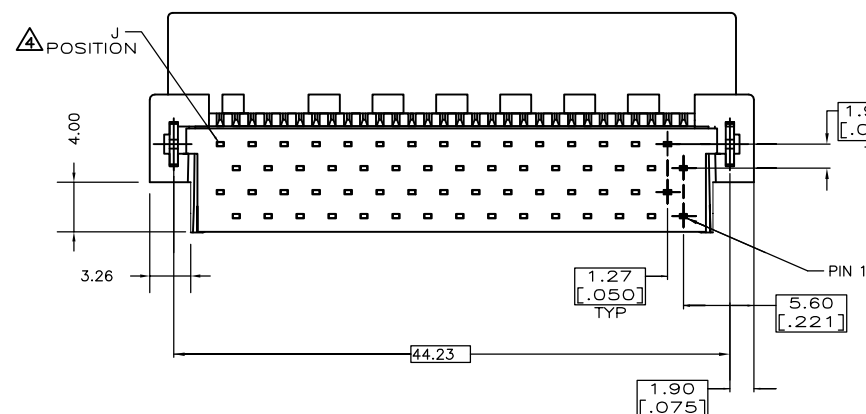
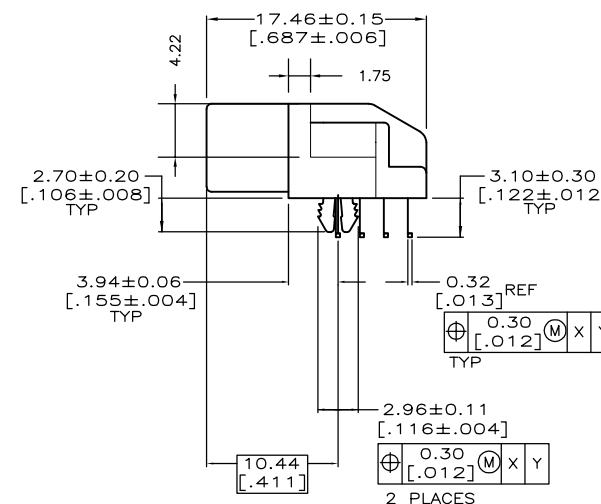
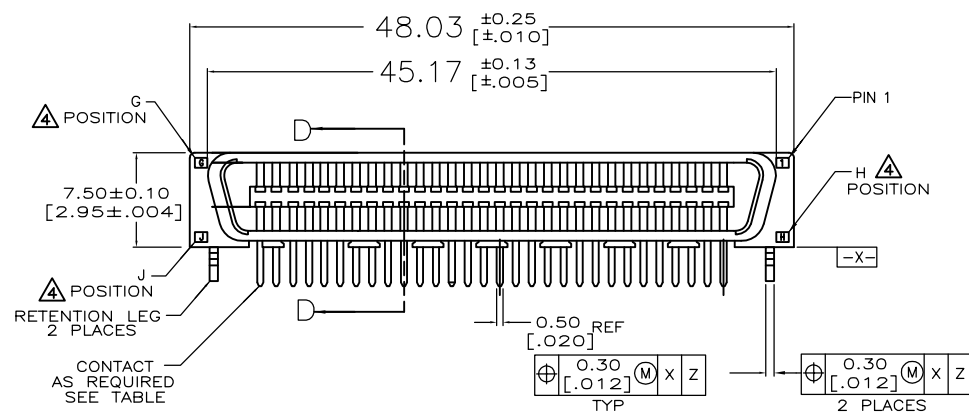
© COPYRIGHT - By -

ALL RIGHTS RESERVED.

P	LTR	DESCRIPTION	DATE	DWN	APVD
-	-	SEE SHEET 1	-	-	-



SECTION D-D  
SCALE 8:1



30	60	31	GOLD FLASH	9-1734099-6	
			0.381um[15u"]	8-1734099-6	60
			△	7-1734099-6	
GA	JA	HA	GOLD PLATED	PART NUMBER	POS.

THIS DRAWING IS A CONTROLLED DOCUMENT.		DWN	F. YANG	31MAR2009	TE Connectivity	
DIMENSIONS: mm		CHK	S. CHIEN	31MAR2009		
TOLERANCES UNLESS OTHERWISE SPECIFIED:		APVD	W. KODAMA	31MAR2009		
0 PLC ± - 1 PLC ± 0.25 2 PLC ± 0.2 3 PLC ± - 4 PLC ± - ANGLES ± -		NAME	PLUG ASSEMBLY, R/A, BTB, CHAMP .050, SERIES I			
MATERIAL SEE NOTE		FINISH	SEE NOTE		PRODUCT SPEC	108-57876
		WEIGHT	-		APPLICATION SPEC	-
		CUSTOMER DRAWING	SCALE	-	SIZE	A3
					CAGE CODE	00779
					DRAWING NO	C=1734099
					RESTRICTED TO	-
					SHEET	2 of 5
					REV	H

THIS DRAWING IS UNPUBLISHED.

RELEASED FOR PUBLICATION

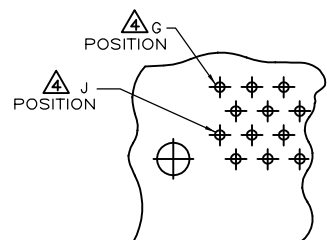
- , -

REVISIONS

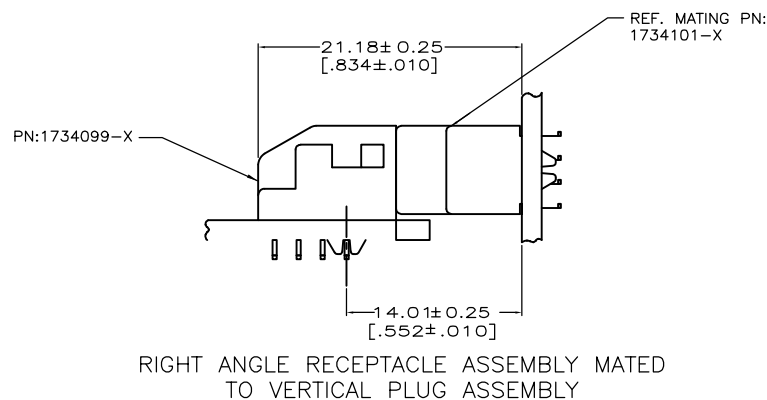
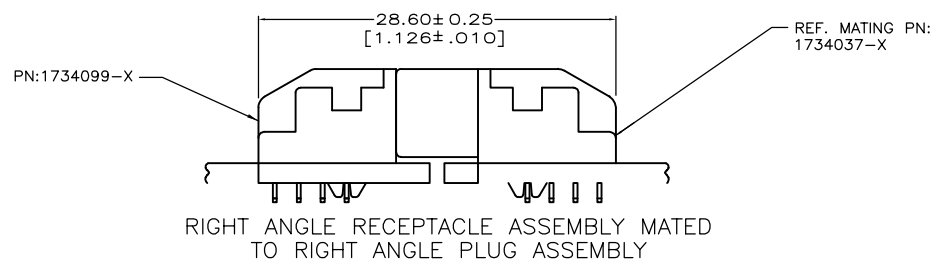
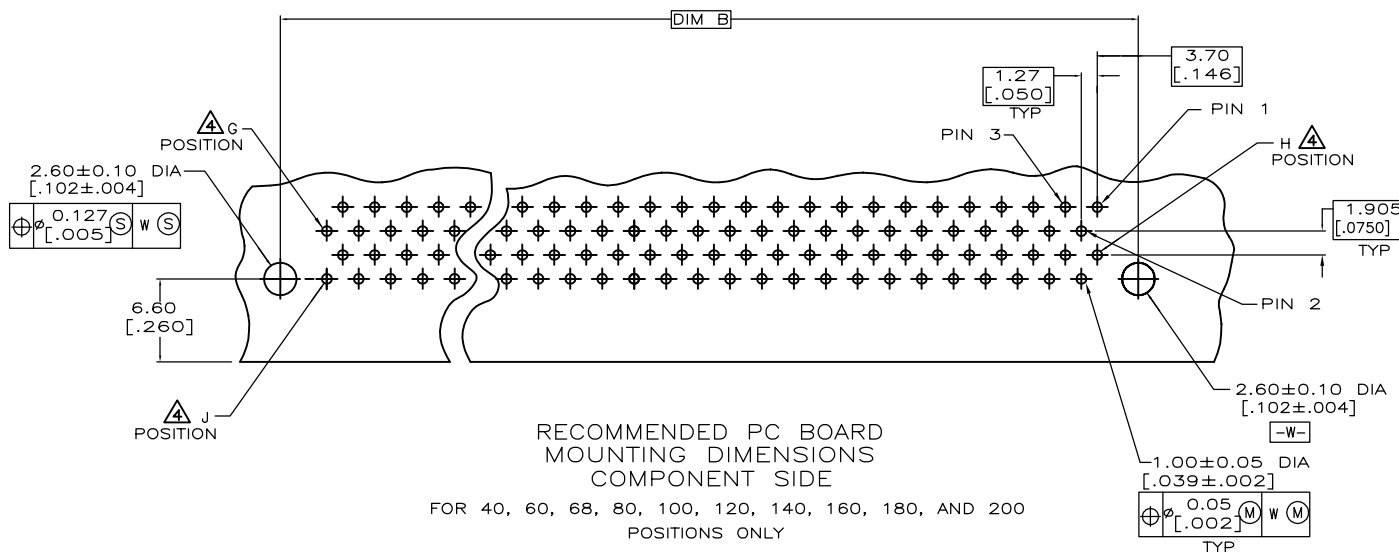
© COPYRIGHT - By -

ALL RIGHTS RESERVED.

P	LTR	DESCRIPTION	DATE	DWN	APVD
-	-	SEE SHEET 1	-	-	-



FOR 50, AND 130 POSITIONS ONLY



THIS DRAWING IS A CONTROLLED DOCUMENT.		DWN		-	
DIMENSIONS:		CHK		-	
TOLERANCES UNLESS OTHERWISE SPECIFIED.		APVD		-	
mm		PRODUCT SPEC		-	
0 PLC ± -		APPLICATION SPEC		-	
1 PLC ± -		WEIGHT		-	
2 PLC ± -		CUSTOMER DRAWING		SCALE	
3 PLC ± -		SCALE		-	
4 PLC ± -		SHEET		3 of 5	
ANGLES ± -		REV		H	
FINISH		RESTRICTED TO		-	
MATERIAL		SIZE		A3	
		CAGE CODE		00779	
		DRAWING NO		C=1734099	



PLUG ASSEMBLY, R/A,  
BTB, CHAMP .050, SERIES I

THIS DRAWING IS UNPUBLISHED.

RELEASED FOR PUBLICATION

© COPYRIGHT - By -

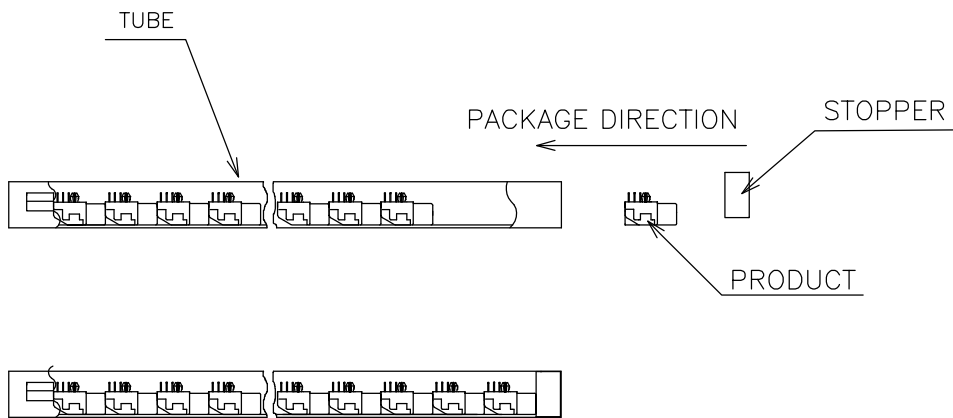
ALL RIGHTS RESERVED.

REVISIONS

P	LTR	DESCRIPTION	DATE	DWN	APVD
-	-	SEE SHEET 1	-	-	-

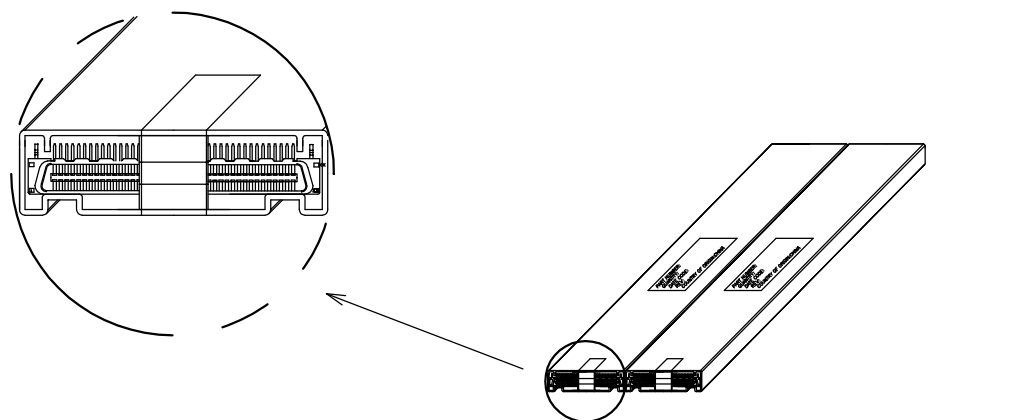
D

D



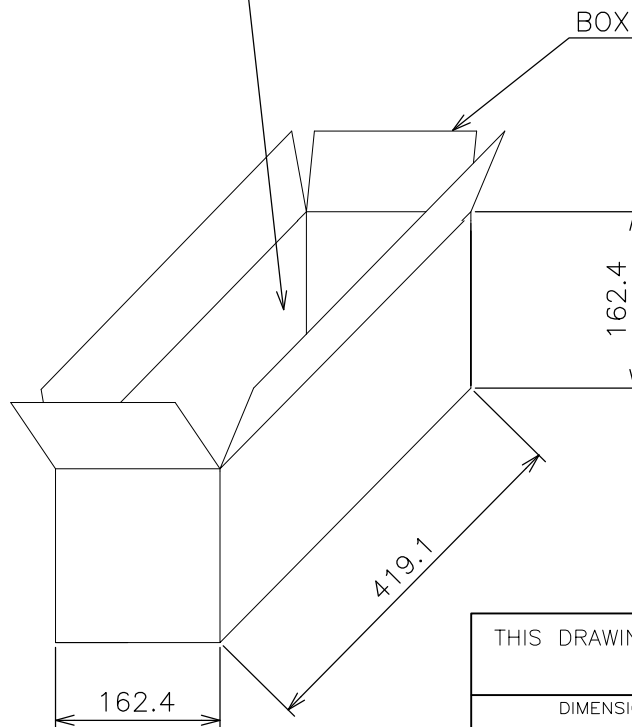
C

C



B

B



POS.	Q'TY/TUBE	TUBE/BOX	Q'TY/BOX	N/W (KG)	G/W (KG)	PART NUMBER
100	21	16	336	2.60	3.44	5-1734099-0
						3-1734099-0
						1-1734099-0
80	21	16	336	2.15	3.00	4-1734099-8
						2-1734099-8
						1734099-8

A

A

THIS DRAWING IS A CONTROLLED DOCUMENT.

DIMENSIONS: mm

TOLERANCES UNLESS OTHERWISE SPECIFIED:

0 PLC	± -
1 PLC	± -
2 PLC	± -
3 PLC	± -
4 PLC	± -
ANGLES	± -

MATERIAL: \_\_\_\_\_ FINISH: \_\_\_\_\_

STE TE Connectivity

PLUG ASSEMBLY, R/A, BTB, CHAMP .050, SERIES I

APVD: \_\_\_\_\_

PRODUCT SPEC: \_\_\_\_\_

APPLICATION SPEC: \_\_\_\_\_

WEIGHT: \_\_\_\_\_

SIZE: A3 CAGE CODE: 00779 DRAWING NO: C-1734099 RESTRICTED TO: \_\_\_\_\_

CUSTOMER DRAWING SCALE: \_\_\_\_\_ SHEET: 4 of 5 REV: H

4

3

2

1

THIS DRAWING IS UNPUBLISHED.

RELEASED FOR PUBLICATION

ALL RIGHTS RESERVED.

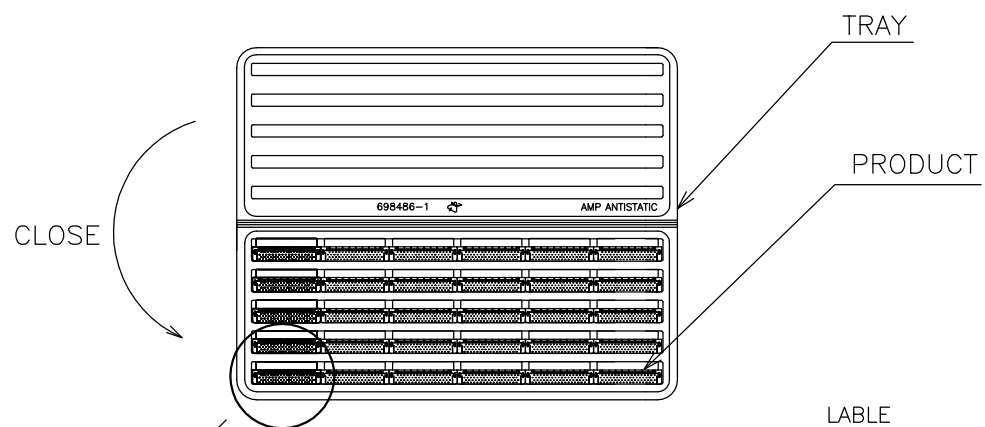
© COPYRIGHT - By -

REVISIONS

P	LTR	DESCRIPTION	DATE	DWN	APVD
-	-	SEE SHEET 1	-	-	-

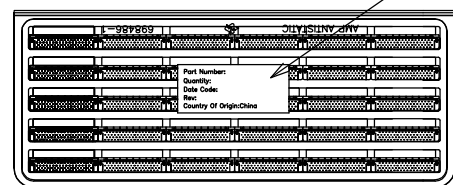
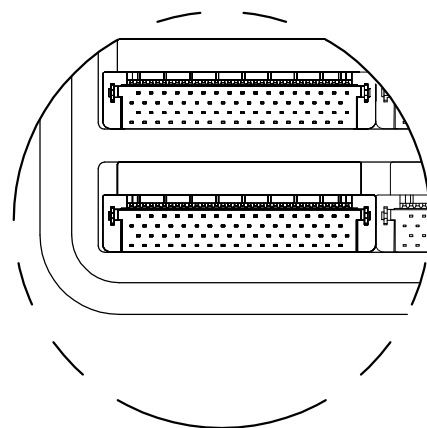
D

D



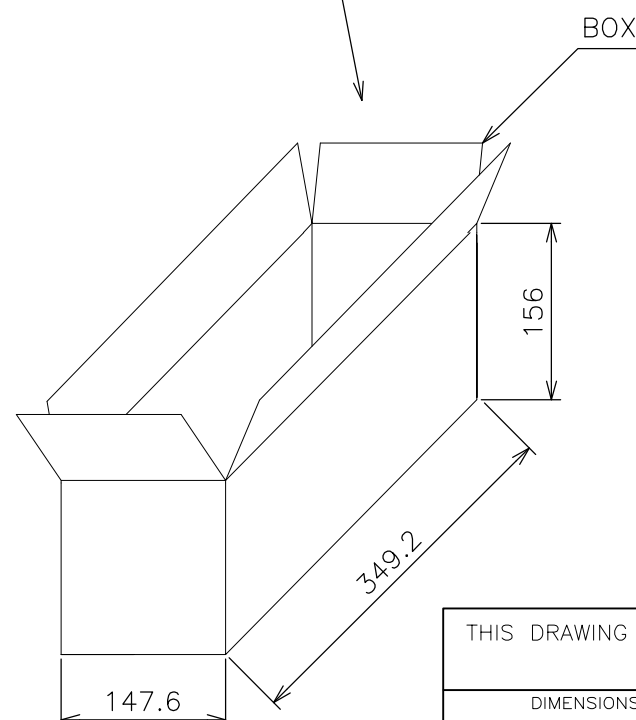
C

C



B

B



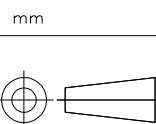
A

A

POS.	Q'TY/ TRAY	TRAY/ BOX	Q'TY/ BOX	N/W (KG)	G/W (KG)	PART NUMBER
E1 OBSOLETE	10	10	100	1.40	2.35	5-1734099-8
	200					3-1734099-8
						1-1734099-8
E1 OBSOLETE	160	10	100	1.18	2.13	5-1734099-6
						3-1734099-6
						1-1734099-6
E1 OBSOLETE	140	15	150	1.59	2.46	5-1734099-4
						3-1734099-4
						1-1734099-4
E1 OBSOLETE	120	15	150	1.20	2.15	5-1734099-2
						3-1734099-2
						1-1734099-2
E1 OBSOLETE	68	30	300	1.69	2.64	4-1734099-7
						2-1734099-7
						1734099-7
E1 OBSOLETE	60	30	300	1.53	2.48	4-1734099-6
						2-1734099-6
						1734099-6
E1 OBSOLETE	50	35	350	1.58	2.56	4-1734099-5
						2-1734099-5
						1734099-5
E1 OBSOLETE	40	45	450	1.71	2.66	4-1734099-4
						2-1734099-4
						1734099-4

THIS DRAWING IS A CONTROLLED DOCUMENT.

DIMENSIONS:



TOLERANCES UNLESS OTHERWISE SPECIFIED.

0 PLC	± -
1 PLC	± -
2 PLC	± -
3 PLC	± -
4 PLC	± -
ANGLES	± -
FINISH	± -

MATERIAL

FINISH

DWN

CHK

APVD

PRODUCT SPEC

APPLICATION SPEC

WEIGHT

CUSTOMER DRAWING



TE Connectivity

NAME  
PLUG ASSEMBLY, R/A,  
BTB, CHAMP .050, SERIES I

SIZE	CAGE CODE	DRAWING NO	RESTRICTED TO
A3	00779	C=1734099	

SCALE - SHEET 5 of 5 REV H



Компания «ЭлектроПласт» предлагает заключение долгосрочных отношений при поставках импортных электронных компонентов на взаимовыгодных условиях!

Наши преимущества:

- Оперативные поставки широкого спектра электронных компонентов отечественного и импортного производства напрямую от производителей и с крупнейших мировых складов;
- Поставка более 17-ти миллионов наименований электронных компонентов;
- Поставка сложных, дефицитных, либо снятых с производства позиций;
- Оперативные сроки поставки под заказ (от 5 рабочих дней);
- Экспресс доставка в любую точку России;
- Техническая поддержка проекта, помощь в подборе аналогов, поставка прототипов;
- Система менеджмента качества сертифицирована по Международному стандарту ISO 9001;
- Лицензия ФСБ на осуществление работ с использованием сведений, составляющих государственную тайну;
- Поставка специализированных компонентов (Xilinx, Altera, Analog Devices, Intersil, Interpoint, Microsemi, Aeroflex, Peregrine, Syfer, Eurofarad, Texas Instrument, Miteq, Cobham, E2V, MA-COM, Hittite, Mini-Circuits, General Dynamics и др.);

Помимо этого, одним из направлений компании «ЭлектроПласт» является направление «Источники питания». Мы предлагаем Вам помощь Конструкторского отдела:

- Подбор оптимального решения, техническое обоснование при выборе компонента;
- Подбор аналогов;
- Консультации по применению компонента;
- Поставка образцов и прототипов;
- Техническая поддержка проекта;
- Защита от снятия компонента с производства.



#### Как с нами связаться

**Телефон:** 8 (812) 309 58 32 (многоканальный)

**Факс:** 8 (812) 320-02-42

**Электронная почта:** [org@eplast1.ru](mailto:org@eplast1.ru)

**Адрес:** 198099, г. Санкт-Петербург, ул. Калинина, дом 2, корпус 4, литера А.