

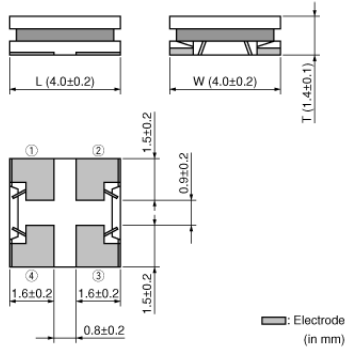
# DLW44SM242SK2#

“#” indicates a package specification code.



< List of part numbers with package codes >  
DLW44SM242SK2L DLW44SM242SK2B DLW44SM242SK2K

## Appearance & Shape



## Features

### Features

1. Low profile ( $h=1.5\text{mm max.}$ )
2. Small size ( $4.0 \times 4.0\text{mm}$ )
3. High rated current available ( $1.1\text{A to }3.1\text{A}$ )
4. High common mode Impedance ( $\text{max }2400\text{ohm, at }100\text{MHz}$ )

### Application

Noise suppression for power line

1. Power line equipment
  - DC/DC converter
  - battery charger
2. Portable equipment
  - PDA(Personal Digital Assistance)
  - note PC
  - printer
  - DVC

## Applications

|             |             |
|-------------|-------------|
| Other Usage | For general |
|-------------|-------------|

## Packaging Information

| Packaging | Specifications      | Minimum Order Quantity |
|-----------|---------------------|------------------------|
| L         | 180mm Embossed Tape | 1000                   |
| B         | Bulk(Bag)           | 100                    |
| K         | 330mm Embossed Tape | 3500                   |

### Attention

1. This datasheet is downloaded from the website of Murata Manufacturing Co., Ltd. Therefore, it's specifications are subject to change or our products in it may be discontinued without advance notice. Please check with our sales representatives or product engineers before ordering.
2. This datasheet has only typical specifications because there is no space for detailed specifications. Therefore, please review our product specifications or consult the approval sheet for product specifications before ordering.

# DLW44SM242SK2#

“#” indicates a package specification code.



## Specifications

|   |        |  |                |
|---|--------|--|----------------|
| Shape                                       | SMD    | DC Resistance  | 0.075Ω±40%     |
| Size Code (in mm)                           | 4040   | Insulation Resistance(min.)                                    | 10MΩ           |
| Size Code (in inch)                         | 1515   | Operating Temperature Range                                    | -40°C to 105°C |
| Length                                      | 4.0mm  | Mass(typ.)   | 0.086g         |
| Length Tolerance                            | ±0.2mm | Number of Circuit  | 1              |
| Width                                       | 4.0mm  | Operating Temperature Range(Self-temperature rise is included) | No             |
| Width Tolerance                             | ±0.2mm |  |                |
| Thickness                                   | 1.4mm  |  |                |
| Thickness Tolerance                         | ±0.1mm |  |                |
| Common Mode Impedance (at 100MHz)           | 2400Ω  |  |                |
| Common Mode Impedance (at 100MHz) Tolerance | (Typ.) |  |                |
| Common Mode Impedance (at 10MHz)            | 140Ω   |  |                |
| Common Mode Impedance (at 10MHz) Tolerance  | ±40%   |  |                |
| Rated Current                               | 1.4A   |  |                |
| Rated Voltage                               | 60Vdc  |  |                |
| Withstanding Voltage                        | 150Vdc |  |                |
| DC Resistance(max.)                         | 0.105Ω |  |                |

### Attention

1.This datasheet is downloaded from the website of Murata Manufacturing Co., Ltd. Therefore, it's specifications are subject to change or our products in it may be discontinued without advance notice. Please check with our sales representatives or product engineers before ordering.

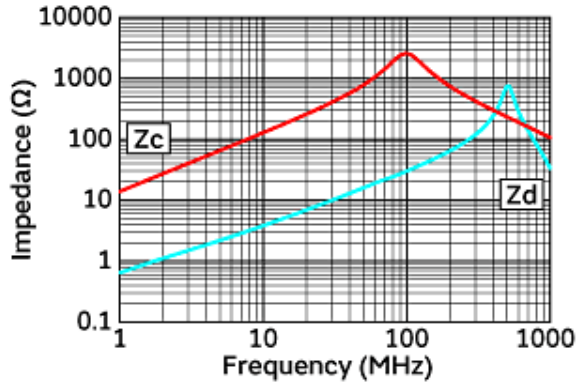
2.This datasheet has only typical specifications because there is no space for detailed specifications.

Therefore, please review our product specifications or consult the approval sheet for product specifications before ordering.

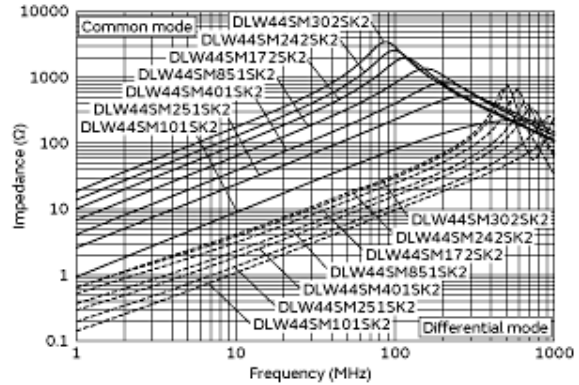
# DLW44SM242SK2#

“#” indicates a package specification code.

## Product Data



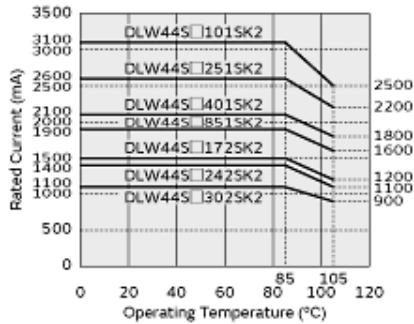
Impedance-Frequency Characteristics



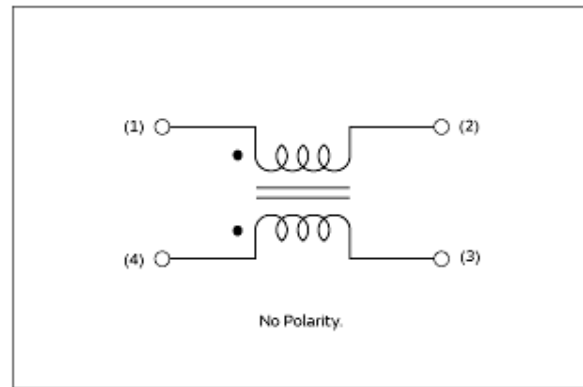
Impedance-Frequency Characteristics (Main Items)

In operating temperature exceeding +85°C, derating of current is necessary for DLW44S series. Please apply the derating curve shown in chart according to the operating temperature.

### Derating of Rated Current



Derating of Rated Current



Equivalent Circuit

### Attention

1. This datasheet is downloaded from the website of Murata Manufacturing Co., Ltd. Therefore, its specifications are subject to change or our products in it may be discontinued without advance notice. Please check with our sales representatives or product engineers before ordering.
2. This datasheet has only typical specifications because there is no space for detailed specifications. Therefore, please review our product specifications or consult the approval sheet for product specifications before ordering.



Компания «ЭлектроПласт» предлагает заключение долгосрочных отношений при поставках импортных электронных компонентов на взаимовыгодных условиях!

Наши преимущества:

- Оперативные поставки широкого спектра электронных компонентов отечественного и импортного производства напрямую от производителей и с крупнейших мировых складов;
- Поставка более 17-ти миллионов наименований электронных компонентов;
- Поставка сложных, дефицитных, либо снятых с производства позиций;
- Оперативные сроки поставки под заказ (от 5 рабочих дней);
- Экспресс доставка в любую точку России;
- Техническая поддержка проекта, помощь в подборе аналогов, поставка прототипов;
- Система менеджмента качества сертифицирована по Международному стандарту ISO 9001;
- Лицензия ФСБ на осуществление работ с использованием сведений, составляющих государственную тайну;
- Поставка специализированных компонентов (Xilinx, Altera, Analog Devices, Intersil, Interpoint, Microsemi, Aeroflex, Peregrine, Syfer, Eurofarad, Texas Instrument, Miteq, Cobham, E2V, MA-COM, Hittite, Mini-Circuits, General Dynamics и др.);

Помимо этого, одним из направлений компании «ЭлектроПласт» является направление «Источники питания». Мы предлагаем Вам помощь Конструкторского отдела:

- Подбор оптимального решения, техническое обоснование при выборе компонента;
- Подбор аналогов;
- Консультации по применению компонента;
- Поставка образцов и прототипов;
- Техническая поддержка проекта;
- Защита от снятия компонента с производства.



#### Как с нами связаться

**Телефон:** 8 (812) 309 58 32 (многоканальный)

**Факс:** 8 (812) 320-02-42

**Электронная почта:** [org@eplast1.ru](mailto:org@eplast1.ru)

**Адрес:** 198099, г. Санкт-Петербург, ул. Калинина, дом 2, корпус 4, литера А.