

Main

| | |
|-------------------------------|--|
| Range of product | Preventa Safety automation |
| Product or component type | Preventa safety module |
| Safety module name | XPSECPE |
| Safety module application | Increasing the number of safety contacts |
| Function of module | Increasing the number of safety contacts |
| Safety level | Can reach PL e/category 4 conforming to EN/ISO 13849-1 can reach the maximum safety level of module base Can reach SILCL 3 conforming to EN/IEC 62061 can reach the maximum safety level of module base |
| Safety reliability data | DC = 0...99 % conforming to EN/ISO 13849-1 MTTFd > 100 years conforming to EN/ISO 13849-1 PFHd = 2.47E-8 1/h conforming to EN/IEC 62061 |
| Output type | Relay 8 NO, volt-free |
| [Us] rated supply voltage | 24 V AC (- 15...10 %) 24 V DC (- 15...10 %) |
| Number of additional circuits | 2 NC + 1 solid state output |

Complementary

| | |
|---|--|
| Supply frequency | 50/60 Hz |
| Power consumption in VA | <= 4 VA |
| Input protection type | Internal, electronic |
| Breaking capacity | B300: holding 360 VA AC-15 relay output B300: inrush 3600 VA AC-15 relay output |
| Breaking capacity | 20 mA / 24 V solid state output circuit 3 A/24 V - L/R = 50 ms, DC-13 for relay output |
| Output thermal current | 6 A per relay relay output |
| [Ith] conventional free air thermal current | < 24 A for relay output |
| Associated fuse rating | 6 A gG for relay output conforming to EN/IEC 60947-5-1, DIN VDE 0660 part 200 |
| Minimum output current | 10 mA relay output |
| Minimum output voltage | 5 V for relay output |
| Response time on input open | <= 10 ms |
| [Ui] rated insulation voltage | 300 V, degree of pollution 2 conforming to EN/IEC 60947-5-1, DIN VDE 0110 parts 1 & 2 |
| [Uimp] rated impulse withstand voltage | 4 kV overvoltage category III, conforming to EN/IEC 60947-5-1, DIN VDE 0110 parts 1 & 2 |
| Local signalling | 3 LEDs |
| Connections - terminals | Captive screw clamp terminals, clamping capacity: 1 x 0.2...1 x 2.5 mm ² solid cable without cable end Captive screw clamp terminals, clamping capacity: 1 x 0.2...1 x 2.5 mm ² flexible cable without cable end Captive screw clamp terminals, clamping capacity: 1 x 0.25...1 x 2.5 mm ² flexible cable with cable end, without bezel Captive screw clamp terminals, clamping capacity: 1 x 0.25...1 x 1.5 mm ² flexible cable with cable end, with bezel Captive screw clamp terminals, clamping capacity: 2 x 0.2...2 x 1 mm ² solid cable without cable end Captive screw clamp terminals, clamping capacity: 2 x 0.2...2 x 1 mm ² flexible cable without cable end Captive screw clamp terminals, clamping capacity: 2 x 0.25...2 x 1 mm ² flexible cable with cable end, without bezel Captive screw clamp terminals, clamping capacity: 2 x 0.5...2 x 1.5 mm ² flexible cable with cable end, with double bezel |
| Mounting support | 35 mm symmetrical DIN rail |
| Product weight | 1.21 lb(US) (0.55 kg) |

The information provided in this documentation contains general descriptions and/or technical characteristics of the products contained herein. This documentation is not intended as a substitute for and is not to be used for determining suitability or reliability of these products for specific user applications. It is the duty of any such user or integrator to perform the appropriate and complete risk analysis, evaluation and testing of the products with respect to the relevant specific application or use thereof. Neither Schneider Electric Industries SAS nor any of its affiliates or subsidiaries shall be responsible or liable for misuse of the information contained herein.

Environment

| | |
|---------------------------------------|--|
| standards | EN/IEC 60204-1 EN/IEC 60947-5-1 |
| product certifications | CSA TÜV UL |
| IP degree of protection | IP20 (terminals) conforming to EN/IEC 60529 IP40 (enclosure) conforming to EN/IEC 60529 |
| ambient air temperature for operation | -13...131 °F (-25...55 °C) |
| ambient air temperature for storage | -13...158 °F (-25...70 °C) |

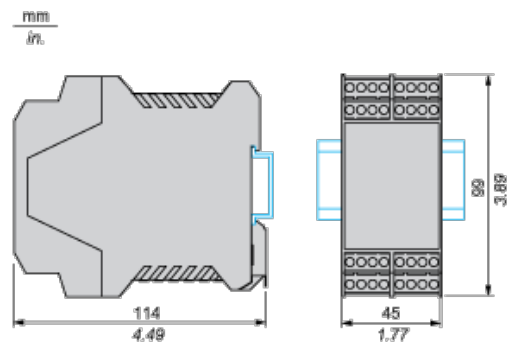
Offer Sustainability

| | |
|--|--|
| WARNING: This product can expose you to chemicals including: | WARNING: This product can expose you to chemicals including: |
| Lead and lead compounds, which is known to the State of California to cause cancer and birth defects or other reproductive harm. | Lead and lead compounds, which is known to the State of California to cause cancer and birth defects or other reproductive harm. |
| For more information go to www.p65warnings.ca.gov | For more information go to www.p65warnings.ca.gov |

Contractual warranty

| | |
|-----------------|-----------|
| Warranty period | 18 months |
|-----------------|-----------|

Dimensions





Компания «ЭлектроПласт» предлагает заключение долгосрочных отношений при поставках импортных электронных компонентов на взаимовыгодных условиях!

Наши преимущества:

- Оперативные поставки широкого спектра электронных компонентов отечественного и импортного производства напрямую от производителей и с крупнейших мировых складов;
- Поставка более 17-ти миллионов наименований электронных компонентов;
- Поставка сложных, дефицитных, либо снятых с производства позиций;
- Оперативные сроки поставки под заказ (от 5 рабочих дней);
- Экспресс доставка в любую точку России;
- Техническая поддержка проекта, помощь в подборе аналогов, поставка прототипов;
- Система менеджмента качества сертифицирована по Международному стандарту ISO 9001;
- Лицензия ФСБ на осуществление работ с использованием сведений, составляющих государственную тайну;
- Поставка специализированных компонентов (Xilinx, Altera, Analog Devices, Intersil, Interpoint, Microsemi, Aeroflex, Peregrine, Syfer, Eurofarad, Texas Instrument, Miteq, Cobham, E2V, MA-COM, Hittite, Mini-Circuits, General Dynamics и др.);

Помимо этого, одним из направлений компании «ЭлектроПласт» является направление «Источники питания». Мы предлагаем Вам помощь Конструкторского отдела:

- Подбор оптимального решения, техническое обоснование при выборе компонента;
- Подбор аналогов;
- Консультации по применению компонента;
- Поставка образцов и прототипов;
- Техническая поддержка проекта;
- Защита от снятия компонента с производства.



Как с нами связаться

Телефон: 8 (812) 309 58 32 (многоканальный)

Факс: 8 (812) 320-02-42

Электронная почта: org@eplast1.ru

Адрес: 198099, г. Санкт-Петербург, ул. Калинина, дом 2, корпус 4, литера А.