

General Purpose Compact Limit Switches

VL Series

FEATURES

- Gold plated silver contacts
- Compact design for small mounting space.
- Special design for easy wiring with ample wiring space
- Two-circuit double-break
- Diecast base and plastic cover
- Standard mounting dimensions
- Long mechanical life
- 5Amp current capacity
- Ambient Temp range: -20 to 60 Degrees Celsius [-4 to 140 degrees Fahrenheit]
- C-UL, CE approved

TYPICAL APPLICATIONS

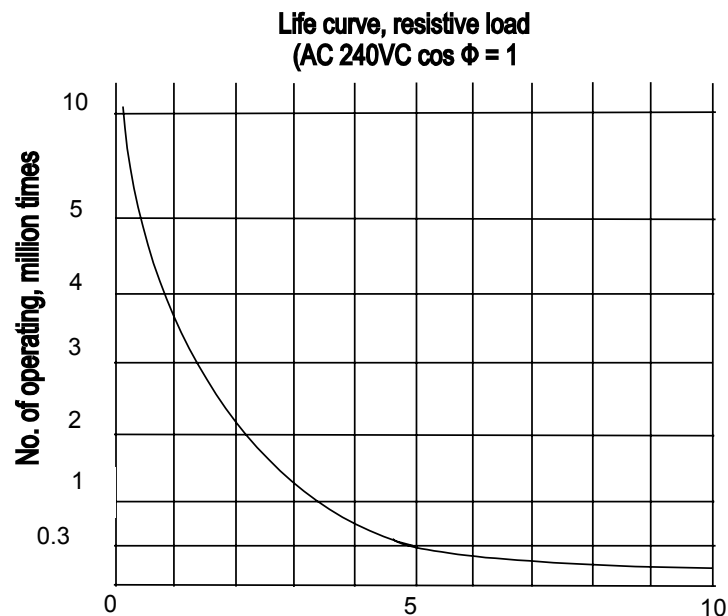
- Machine Tools
- Material Handling
- Food Processing Machinery
- Conveyors
- Packaging Machinery



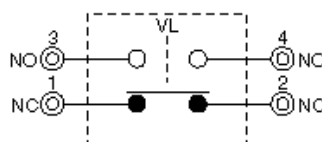
DESCRIPTION

The new economical SZL-VL Series miniature type limit switches are specially designed for applications of small mounting space. These miniature switches are ideal for OEM machinery which requires a rugged and reliable limit switch that is capable of being mounted in space restricted applications. A wide range of actuators and optional neon lamp indicators add additional flexibility. A special pre-molded flexible cable gland allows for fast and simple wiring termination

LIFE CURVE






CIRCUITRY



General Purpose Compact Limit Switches

VL Series




SELECTION GUIDE

			
	SZL-VL-A	SZL-VL-B	SZL-VL-C
Features			
Actuator	Side Rotary - Roller Lever Standard	Side Rotary - Roller Lever Adjustable	Side Rotary - Rod Adjustable
Operating Force (O.F.)	5,88 N max. [1.32 lbs max.]	3,35 N - 7,84 N max. [0.75 lbs - 1.76 lbs max.]	2 N - 7,84 N max. [.45 lbs - 1.76 lbs max.]
Release Force (R.F.)	0,49 N min. [0.11 lbs min.]	0,21 N - 0,49 N min. [0.046 lbs - 0.11 lbs min.]	0,12 N - 0,49 N min. [0.026 lbs - 0.11 lbs min.]
Pretravel (P.T.)	20 ° max.	20 ° max.	20 ° max.
Overtravel (O.T.)	75 ° min.	75 ° min.	75 ° min.
Differential Travel (D.T.)	10 ° max.	10 ° max.	10 ° max.
Product Type	Minature Limit Switches		
Ampere Rating	5.0 A / 0.4 A		
Supply Voltage	250 Vac max. / 125 Vdc max.		
Termination Type	Cable Gland		
Operating Temperature Range	-20 °C to 60 °C [-4 °F to 140°F]		
Vibration	55 Hz at double amplitude of 1.5 mm		
Housing Material	Zinc Die-Cast / Plastic		
Shock	10 g max.		
Circuitry	1NC 1NO SPDT; Double Break		
Approvals	UL, C-UL, CE		
Sealed	Industrial		
UL File #	E150950		
Availability	North-America; Asia-Pacific		
Sealing	IP64		
Mechanical Life	up to 10 million operations		
Series Name	VL Series		

General Purpose Compact Limit Switches

VL *Series*



SELECTION GUIDE

			
	SZL-VL-D	SZL-VL-E	SZL-VL-F
Features			
Actuator	Top Plunger	Cross Roller Plunger	Wobble - Plastic Rod Coil Spring
Operating Force (O.F.)	8,83 N max. [2 lbs max.]	8,83 N max. [2 lbs max.]	0,88 N max. [0.2 lbs max.]
Release Force (R.F.)	1,47 N min. [0.33 lbs min.]	1,47 N min. [0.33 lbs min.]	-
Pretravel (P.T.)	1,5 mm max. [0.060 in max.]	1,5 mm max. [0.060 in max.]	30 mm max. [1.18 in max.]
Overtravel (O.T.)	4 mm min. [0.158 in min.]	4 mm min. [0.158 in min.]	20 mm min. [0.788 in min.]
Differential Travel (D.T.)	0,7 mm max. [0.028 in. max.]	0,7 mm max. [0.028 in. max.]	-
Product Type	Minature Limit Switches		
Ampere Rating	5.0 A / 0.4 A		
Supply Voltage	250 Vac max. / 125 Vdc max.		
Termination Type	Cable Gland		
Operating Temperature Range	-20 °C to 60 °C [-4 °F to 140°F]		
Vibration	55 Hz at double amplitude of 1.5 mm		
Housing Material	Zinc Die-Cast / Plastic		
Shock	10 g max.		
Circuitry	1NC 1NO SPDT; Double Break		
Approvals	UL, C-UL, CE		
Sealed	Industrial		
UL File #	E150950		
Availability	North-America; Asia-Pacific		
Sealing	IP64		
Mechanical Life	up to 10 million operations		
Series Name	VL Series		

General Purpose Compact Limit Switches

VL Series

SELECTION GUIDE

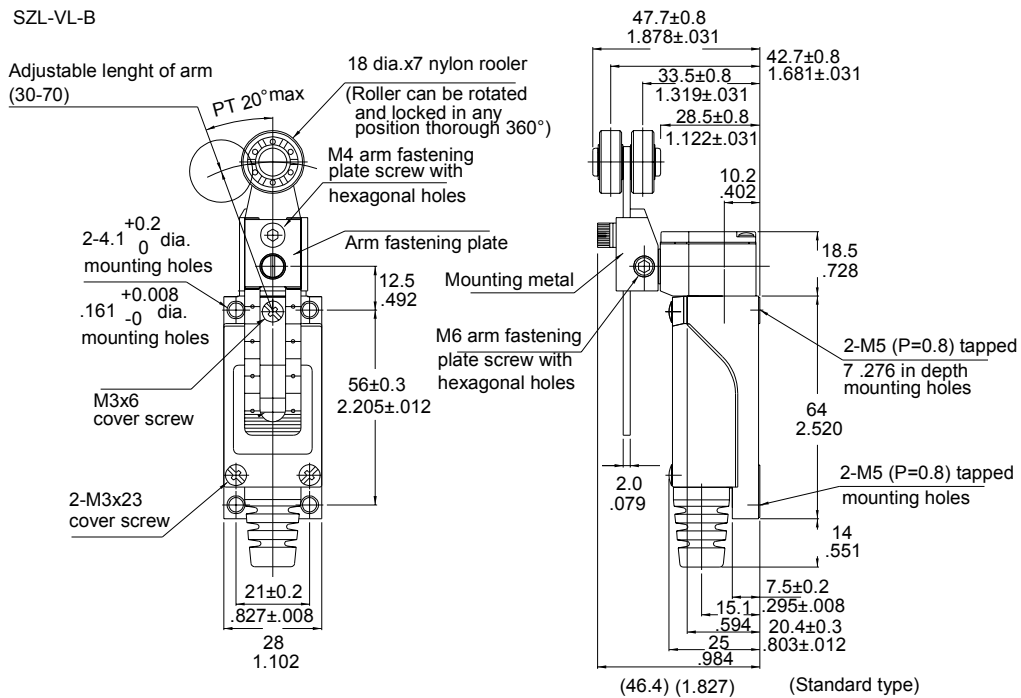
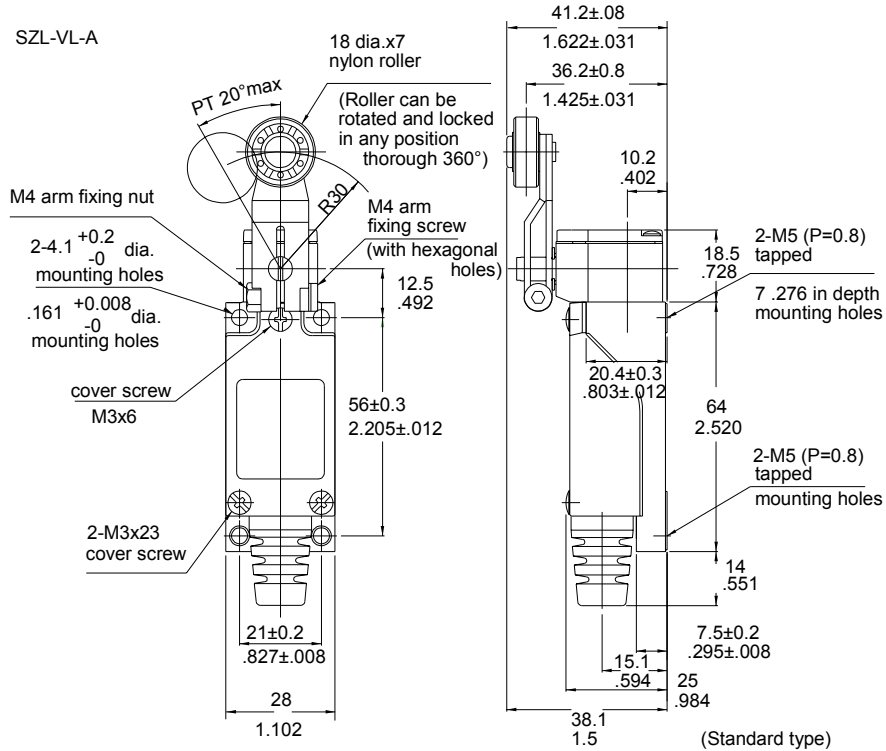
	 SZL-VL-G	 SZL-VL-H	
Features			
Actuator	Wobble - Coil Spring	Roller Plunger	
Operating Force (O.F.)	0,88 N max. [0.2 lbs max.]	8,83 N max. [2 lbs max.]	
Release Force (R.F.)	-	1,47 N min. [0.33 lbs min.]	
Pretravel (P.T.)	30 mm max. [1.18 in max.]	1,5 mm max. [0.060 in max.]	
Overtravel (O.T.)	20 mm min. [0.788 in min.]	4 mm min. [0.158 in min.]	
Differential Travel (D.T.)	-	0,7 mm max. [0.028 in. max.]	
Product Type	Minature Limit Switches		
Ampere Rating	5.0 A / 0.4 A		
Supply Voltage	250 Vac max. / 125 Vdc max.		
Termination Type	Cable Gland		
Operating Temperature Range	-20 °C to 60 °C [-4 °F to 140°F]		
Vibration	55 Hz at double amplitude of 1.5 mm		
Housing Material	Zinc Die-Cast / Plastic		
Shock	10 g max.		
Circuitry	1NC 1NO SPDT; Double Break		
Approvals	UL, C-UL, CE		
Sealed	Industrial		
UL File #	E150950		
Availability	North-America; Asia-Pacific		
Sealing	IP64		
Mechanical Life	up to 10 million operations		
Series Name	VL Series		

General Purpose Compact Limit Switches

VL Series

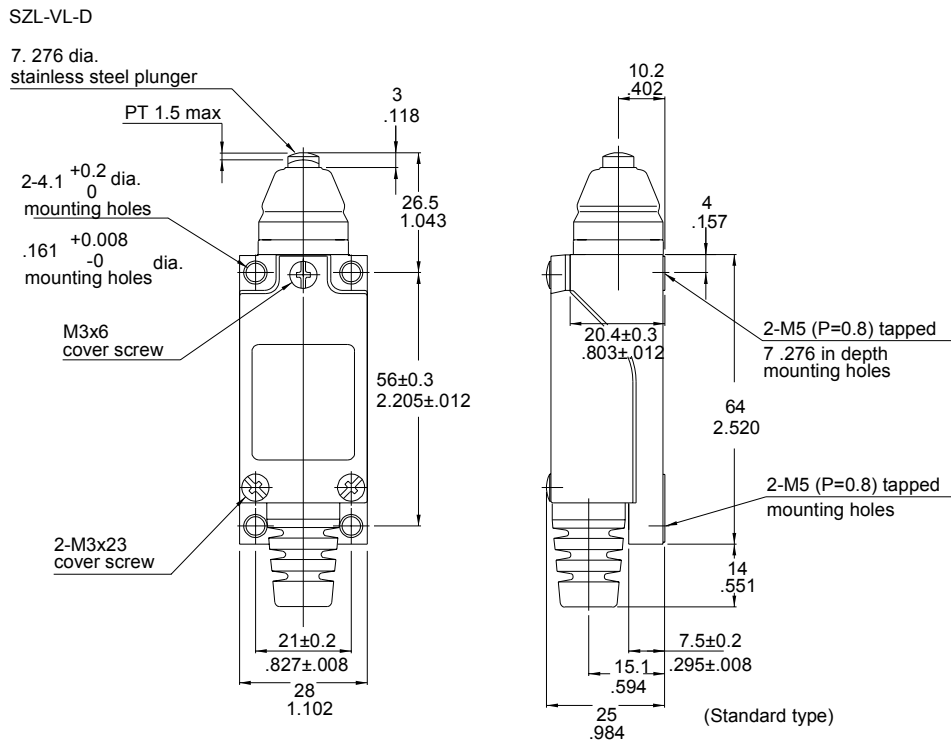
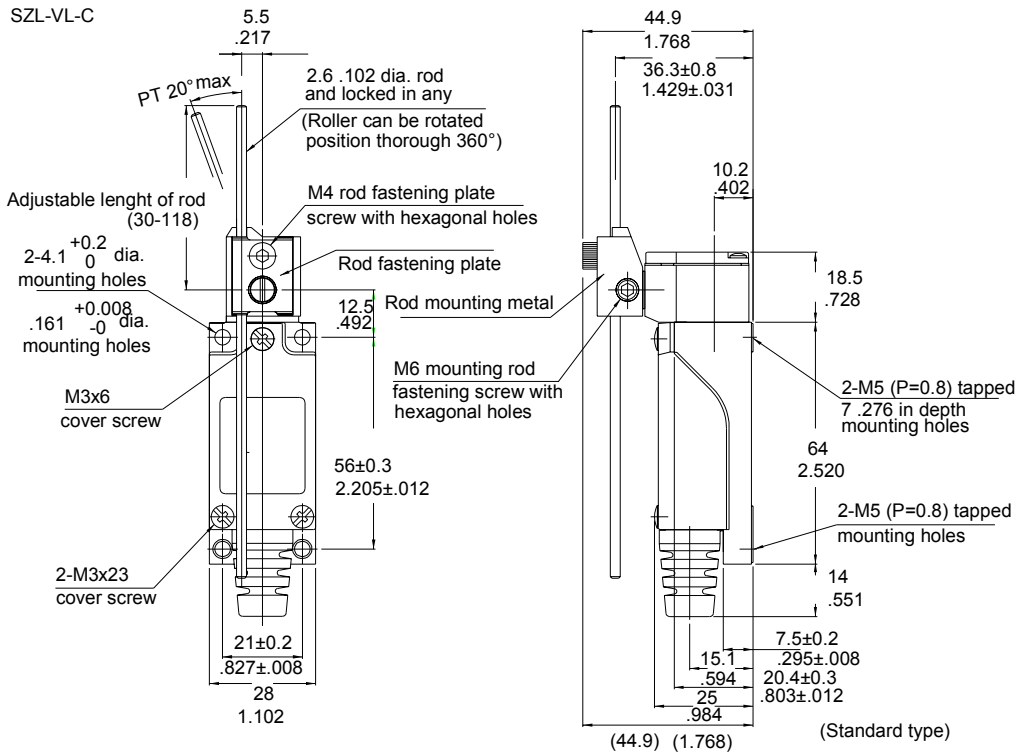
MOUNTING DIMENSIONS (For Reference Only)

mm
in



General Purpose Compact Limit Switches

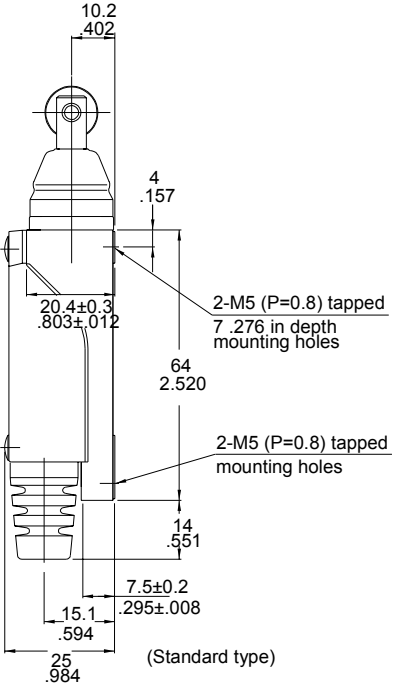
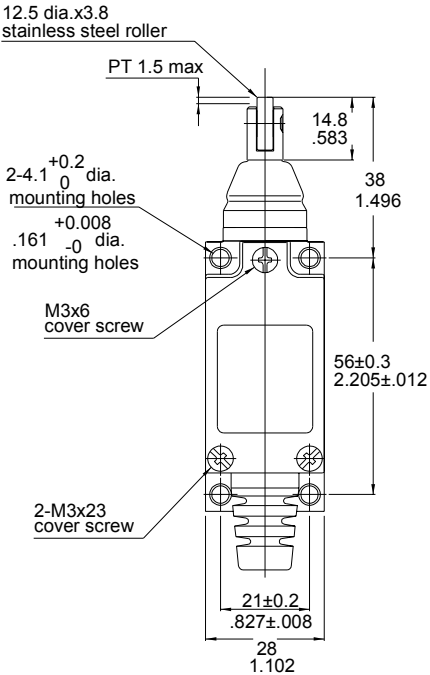
VL Series



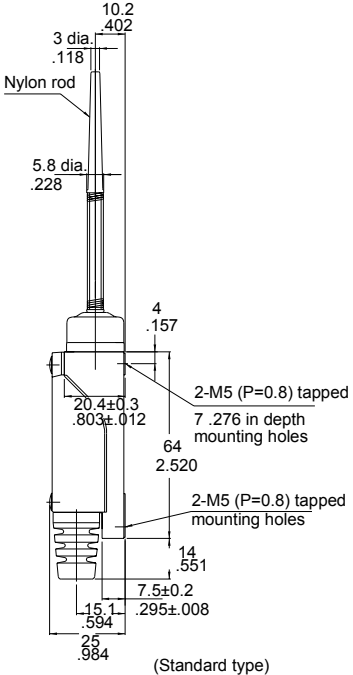
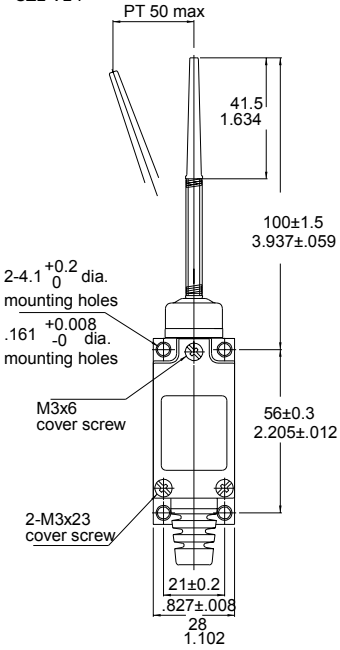
General Purpose Compact Limit Switches

VL Series

SZL-VL-E



SZL-VL-F



General Purpose Compact Limit Switches

VL Series

WARRANTY/REMEDY

Honeywell warrants goods of its manufacture as being free of defective materials and faulty workmanship. Contact your local sales office for warranty information. If warranted goods are returned to Honeywell during the period of coverage, Honeywell will repair or replace without charge those items it finds defective. The foregoing is Buyer's sole remedy and is **in lieu of all other warranties, expressed or implied, including those of merchantability and fitness for a particular purpose.**

Specifications may change without notice. The information we supply is believed to be accurate and reliable as of this printing. However, we assume no responsibility for its use.

While we provide application assistance personally, through our literature and the Honeywell web site, it is up to the customer to determine the suitability of the product in the application.

For application assistance, current specifications, or name of the nearest Authorized Distributor, check the Honeywell web site or call:

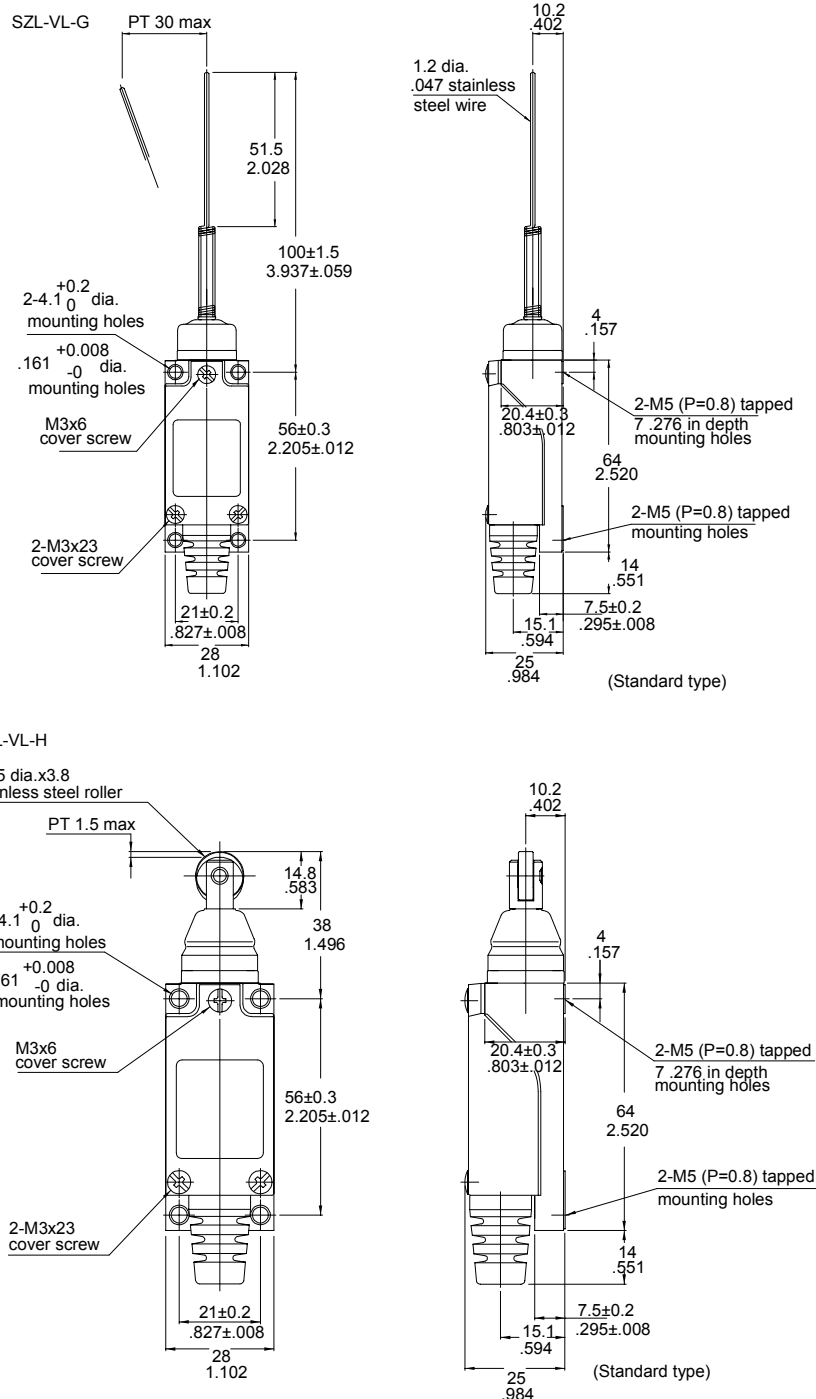
1-800-537-6945 USA
1-800-737-3360 Canada
1-815-235-6847 International

FAX

1-815-235-6545 USA

INTERNET

www.honeywell.com/sensing
info@micro.honeywell.com

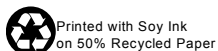


Honeywell

Sensing and Control

Honeywell
11 West Spring Street
Freeport, Illinois 61032

www.honeywell.com/sensing





Компания «ЭлектроПласт» предлагает заключение долгосрочных отношений при поставках импортных электронных компонентов на взаимовыгодных условиях!

Наши преимущества:

- Оперативные поставки широкого спектра электронных компонентов отечественного и импортного производства напрямую от производителей и с крупнейших мировых складов;
- Поставка более 17-ти миллионов наименований электронных компонентов;
- Поставка сложных, дефицитных, либо снятых с производства позиций;
- Оперативные сроки поставки под заказ (от 5 рабочих дней);
- Экспресс доставка в любую точку России;
- Техническая поддержка проекта, помощь в подборе аналогов, поставка прототипов;
- Система менеджмента качества сертифицирована по Международному стандарту ISO 9001;
- Лицензия ФСБ на осуществление работ с использованием сведений, составляющих государственную тайну;
- Поставка специализированных компонентов (Xilinx, Altera, Analog Devices, Intersil, Interpoint, Microsemi, Aeroflex, Peregrine, Syfer, Eurofarad, Texas Instrument, Miteq, Cobham, E2V, MA-COM, Hittite, Mini-Circuits, General Dynamics и др.);

Помимо этого, одним из направлений компании «ЭлектроПласт» является направление «Источники питания». Мы предлагаем Вам помощь Конструкторского отдела:

- Подбор оптимального решения, техническое обоснование при выборе компонента;
- Подбор аналогов;
- Консультации по применению компонента;
- Поставка образцов и прототипов;
- Техническая поддержка проекта;
- Защита от снятия компонента с производства.



Как с нами связаться

Телефон: 8 (812) 309 58 32 (многоканальный)

Факс: 8 (812) 320-02-42

Электронная почта: org@eplast1.ru

Адрес: 198099, г. Санкт-Петербург, ул. Калинина, дом 2, корпус 4, литера А.