

Specification

Quad Small Form-factor Pluggable


Optical Transceiver Module

100GBASE-SR4



Ordering Information

TQS-Q14H9-J83

Model Name	Voltage	Category	Device type	Interface	Temperature	Distance	Latch Color
TQS-Q14H9-J83	3.3V	With DDMI	850 nm VCSEL	CML/CML	0°C~+70°C	100m (OM4)	Beige 

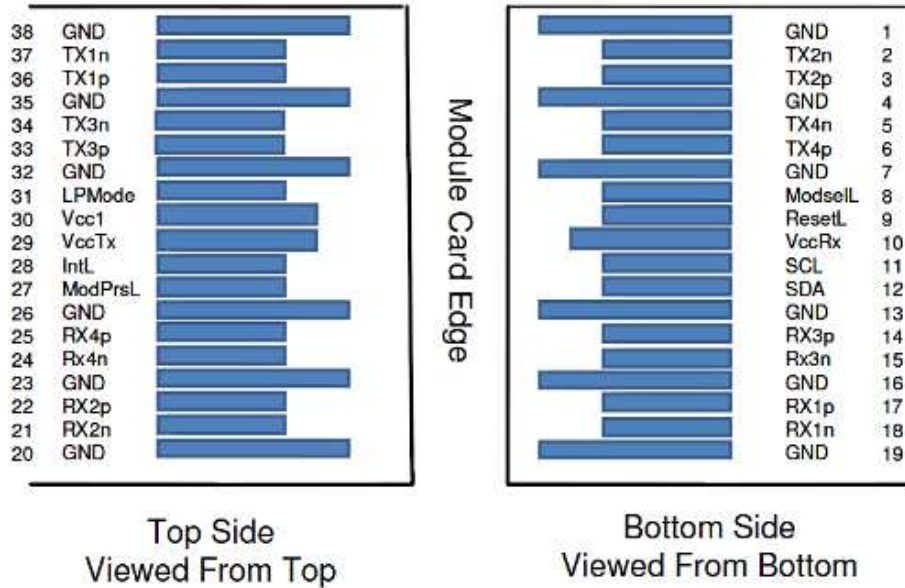
Features

- Supports 100Gb/s data rate links of 70m/100m via OM3/OM4, respectively
- Low power consumption <3.5W (Typ. 2W)
- Hot pluggable electrical interface
- Single 3.3V power supply
- Using standard 12/8 lane optical fiber with MPO pluggable optical connector
- 0 to 70°C case temperature operating range
- 4x25Gb/s 850nm VCSEL-based transmitter
- RoHS-6 Compliant (lead-free)
- Compliant with 100G Ethernet IEEE 802.3bm 100GBASE-SR4
- Compliant with SFF-8665 (QSFP28 Solution) Revision 1.8

Applications

- 100GBASE-SR4 Ethernet links.
- Infiniband EDR, FDR and QDR.
- HPC Interconnects.
- Proprietary Interconnections.

Pin Descriptions



Pin	Logic	Symbol	Description	Plug Sequence	Notes
1		GND	Ground	1	
2	CML-I	Tx2n	Transmitter Inverted Data Input	3	
3	CML-I	Tx2p	Transmitter Non-Inverted Data Input	3	
4		GND	Ground	1	
5	CML-I	Tx4n	Transmitter Inverted Data Input	3	
6	CML-I	Tx4p	Transmitter Non-Inverted Data Input	3	
7		GND	Ground	1	
8	LVTTL-I	ModSelL	Module Select	3	
9	LVTTL-I	ResetL	Module Reset	3	
10		Vcc Rx	+3.3V Power Supply Receiver	2	
11	LVC MOS-I/O	SCL	2-wire serial interface clock	3	
12	LVC MOS-I/O	SDA	2-wire serial interface data	3	
13		GND	Ground	1	
14	CML-O	Rx3p	Receiver Non-Inverted Data Output	3	
15	CML-O	Rx3n	Receiver Inverted Data Output	3	
16		GND	Ground	1	
17	CML-O	Rx1p	Receiver Non-Inverted Data Output	3	
18	CML-O	Rx1n	Receiver Inverted Data Output	3	
19		GND	Ground	1	
20		GND	Ground	1	
21	CML-O	Rx2n	Receiver Inverted Data Output	3	
22	CML-O	Rx2p	Receiver Non-Inverted Data Output	3	
23		GND	Ground	1	

24	CML-O	Rx4n	Receiver Inverted Data Output	3	
25	CML-O	Rx4p	Receiver Non-Inverted Data Output	3	
26		GND	Ground	1	
27	LVTTL-O	ModPrsL	Module Present	3	
28	LVTTL-O	IntL	Interrupt	3	
29		VccTx	+3.3V Power supply transmitter	2	
30		Vcc1	+3.3V Power supply	2	
31	LVTTL-I	LPMode	Low Power Mode	3	
32		GND	Ground	1	
33	CML-I	Tx3p	Transmitter Non-Inverted Data Input	3	
34	CML-I	Tx3n	Transmitter Inverted Data Input	3	
35		GND	Ground	1	
36	CML-I	Tx1p	Transmitter Non-Inverted Data Input	3	
37	CML-I	Tx1n	Transmitter Inverted Data Input	3	
38		GND	Ground	1	

Absolute Maximum Rating

Not necessarily applied together. Exceeding these values may cause permanent damage. Functional operation under these conditions is not implied.

Parameter	Symbol	Min	Typ.	Max	Unit	Note
Storage Temperature	Ts	-40		85	°C	
3.3V Power Supply Voltage	Vcc	-0.5		3.6	V	
Data Input Voltage-Single Ended		-0.5		V _{cc} +0.5	V	1
Control Input Voltage		-0.5		3.6	V	
Relative Humidity	RH	5		85	%	
Rx Optical Damage Threshold / Lane		3.4			dBm	

Notes:

1. Non-condensing.

Recommended Operating Conditions

Parameter	Min	Typical	Max	Unit	Note
Case Operating Temperature	0		70	°C	
Power Supply Voltage	3.15	3.3	3.45	V	
Data Rate per Channel		25.78125		Gb/s	
Bit Error Ratio		10 ⁻¹²			
Control Input Voltage High	2		V _{cc} +0.3	V	
Control Input Voltage Low	-0.3		0.8	V	
Two Wire Serial (TWS) Interface Clock Rate		100	400	kHz	
Differential Data Input / Output Load		100		Ohms	
Fiber Length: 2000 MHz.km 50/125um MMF (OM3)			70	m	
Fiber Length: 4700 MHz.km 50/125um MMF (OM4)			100	m	

Electrical Characteristics

Parameter	Min	Typical	Max	Unit	Note
Transceiver Electrical Characteristics					
TRx Power Consumption		2	2.5	W	
TRx Power-on Initialization Time			2000	ms	
CAUI-4 Module Electrical Input Characteristics (TP1)					
Signaling Rate per Lane	25.78125+/- 100ppm			Gb/s	
Differential pk-pk input voltage tolerance			900	mV	
Differential termination mismatch			10	%	
Module stressed input test	Per Section 83E.3.4.1, IEEE 802.3bm				1
Single Ended Input Voltage Tolerance	-0.4		3.3	V	
DC common mode voltage	-350		2850	mV	
CAUI-4 Module Electrical Output Characteristics (TP4)					
Signaling Rate per Lane	25.78125+/- 100ppm			Gb/s	
AC Common-Mode Output Voltage (RMS)			17.5	mV	
Differential Data Output Swing	400	600	800	mVpp	
Eye Width	0.57			UI	
Eye Height, Differential	228			mV	
Vertical Eye Closure			5.5	dB	
Differential termination mismatch			10	%	
Transition Time (20% to 80%)	12			ps	
DC Common Voltage	-350		2850	mV	

Notes:

1. The module stressed input tolerance is measured using the procedure defined in 83E.3.4.1.1, IEEE802.3bm. Module stressed input parameters include.
 - a. Eye width of 0.46 UI.
 - b. Applied pk-pk sinusoidal jitter is per Table 88-13 per IEEE802.3bm
 - c. Eyeheight of 95mV

Optical Characteristics

Parameter	Symbol	Min	Typical	Max	Unit	Note
Transmitter Optical Characteristics						
Signaling Rate per Lane		25.78125+/-100ppm			Gb/s	
Center Wavelength	λ	840	850	860	nm	
Spectral Width – RMS	$\Delta\lambda$		0.55	0.6	nm	
Average Launch Optical Power, each lane	TXP _x	-8.4		2.4	dBm	
OMA, each lane	OMA	-6.4		3	dBm	
Launch power in OMA minus TDEC		-7.3			dBm	1
Transmitter and dispersion eye closure (TDEC), each lane	TDEC			4.3	dB	1
Average launch power of OFF transmitter, each lane				-30	dBm	
Extinction Ratio	ER	2			dB	
Optical return loss tolerance				12	dB	
Encircled Flux		≥ 86% @ 19um, ≤ 30% at 4.5um				1
Transmitter eye mask definition		(X1, X2, X3, Y1, Y2, Y3) = (0.3, 0.38, 0.45, 0.35, 0.41, 0.5)				2

Notes:

1. Designed target and belonging to TDP for further confirmation.
2. Hit ratio 1.5×10^{-3} hits per sample

Parameter	Symbol	Min	Typical	Max	Unit	Note
Receiver Optical Characteristics						
Signaling Rate per Lane		25.78125+/- 100ppm			Gb/s	
Center wavelength, each lane	λ	840	850	860	nm	
Damage Threshold		3.4			dBm	
Average power at receiver input, each lane		-10.3		2.4	dBm	1
Receiver Power, each lane (OMA)				3	dBm	
Receiver Reflectance				-12	dB	
Stressed receiver sensitivity in OMA				-5.2	dBm	
Conditions of stressed receiver sensitivity test:						
Stressed eye closure (SEC)	SEC		4.3		dB	2
Stressed eye J2 Jitter	J2		0.39		UI	2
Stressed eye J4 Jitter,	J4			0.53	UI	2
OMA of each aggressor lane				3	dBm	2
Stressed receiver eye mask definition		(X1, X2, X3, Y1, Y2, Y3)= (0.28, 0.5, 0.5, 0.33, 0.33, 0.4)				3

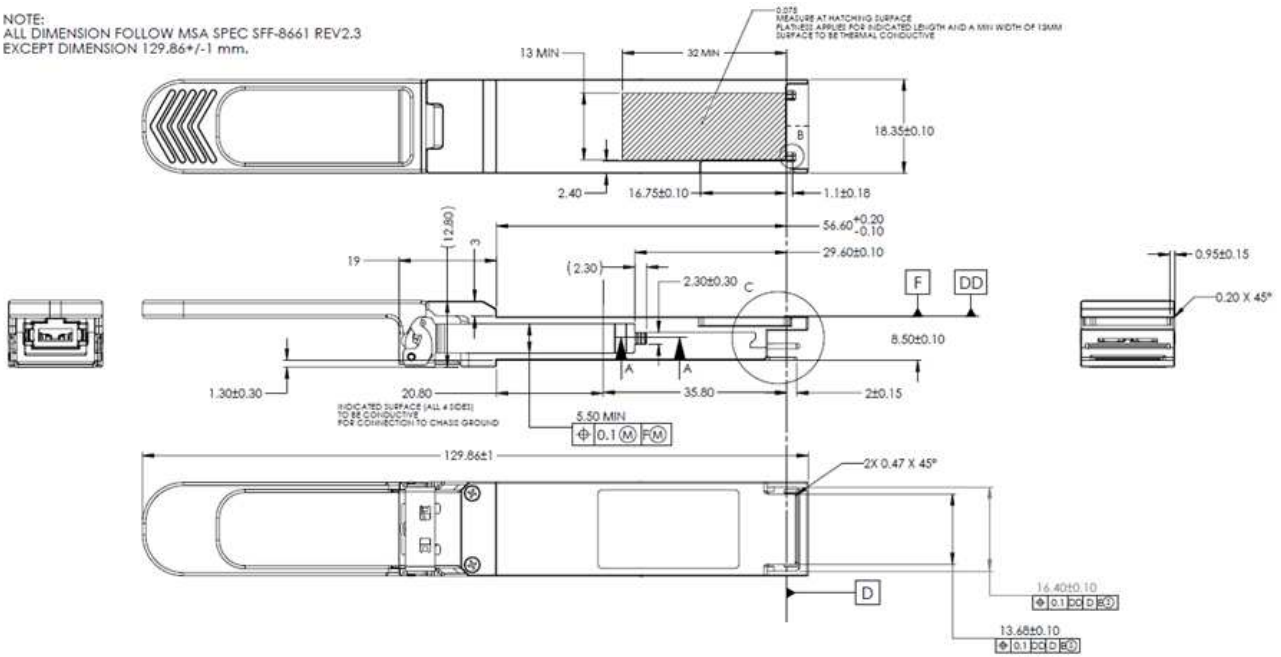
Notes:

1. Average receive power, each lane (min) is informative and not the principal indicator of signal strength. A received power below this value cannot be compliant; however, a value above this does not ensure compliance.
2. TDP value and dependent parameters are subject to confirmation.
3. Hit ratio 5×10^{-5} hits per sample

Mechanical Design Diagram

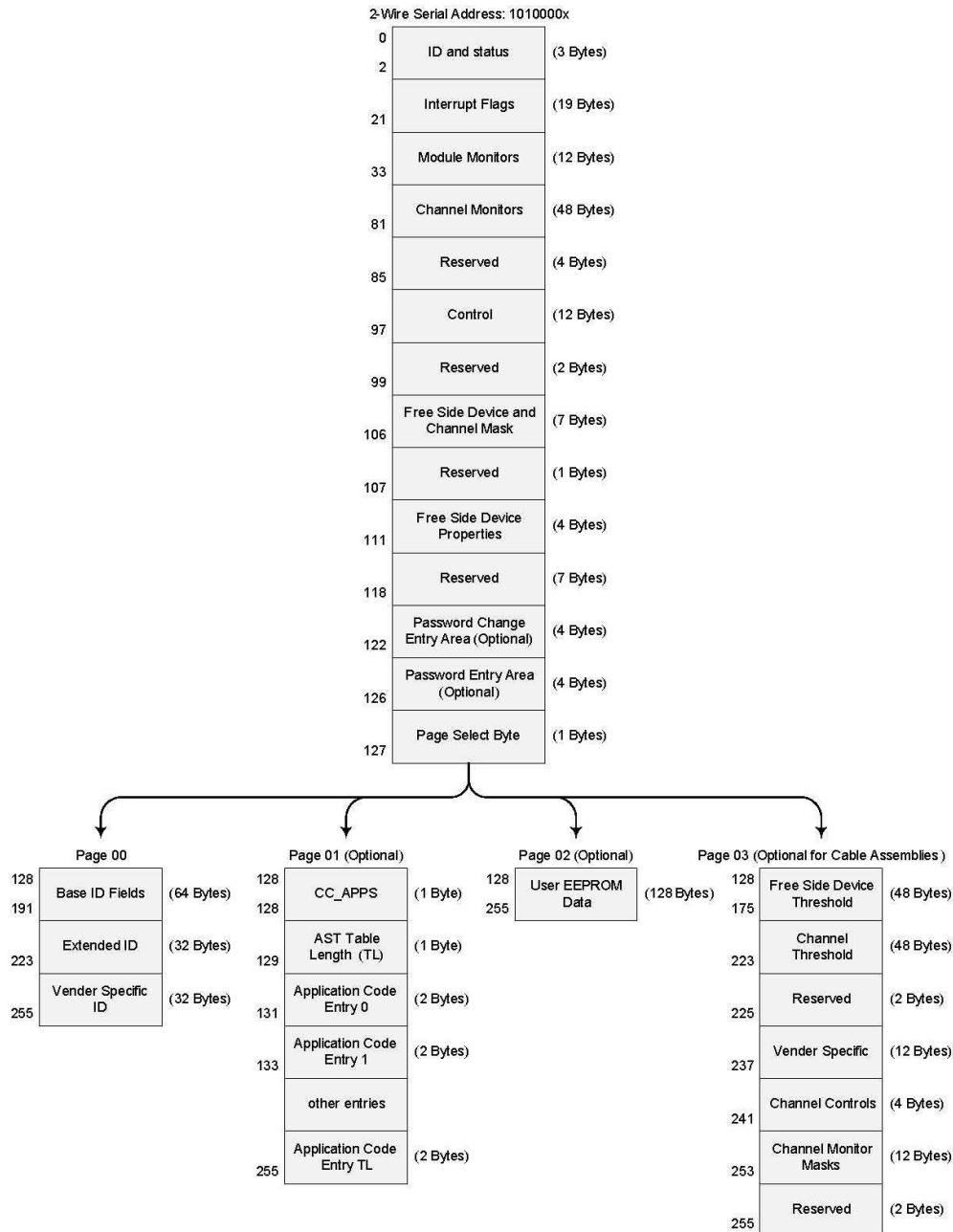
Unit: mm

NOTE:
 ALL DIMENSION FOLLOW MSA SPEC SFF-8661 REV.2.3
 EXCEPT DIMENSION 129.86+/-1 mm.



Memory Map

The memory map is structured as a single address and multiple page approaches, according to the QSFP28 SFF-8636 MSA specification as shown in the below.



Laser Safety

This is a laser class 1M product according to IEC60825-1:2014 (Third Edition). This product complies with 21 CFR 1040.10 and 1040.11 except for deviations pursuant to Laser Notice No. 50, dated June 24, 2007.

User Manual

CAUTION

Pull-Tab may shear off or snap if any one of the conditions are broken.

- 1) Angular degree $\leq 30^\circ$**
- 2) Tensile strength ≤ 60 newton**

Revision History

Date	Version	Description
01/15/2018	1.0	Initial release

Mouser Electronics

Authorized Distributor

Click to View Pricing, Inventory, Delivery & Lifecycle Information:

[Formerica:](#)

[TQS-Q14H9-J83](#)



Компания «ЭлектроПласт» предлагает заключение долгосрочных отношений при поставках импортных электронных компонентов на взаимовыгодных условиях!

Наши преимущества:

- Оперативные поставки широкого спектра электронных компонентов отечественного и импортного производства напрямую от производителей и с крупнейших мировых складов;
- Поставка более 17-ти миллионов наименований электронных компонентов;
- Поставка сложных, дефицитных, либо снятых с производства позиций;
- Оперативные сроки поставки под заказ (от 5 рабочих дней);
- Экспресс доставка в любую точку России;
- Техническая поддержка проекта, помощь в подборе аналогов, поставка прототипов;
- Система менеджмента качества сертифицирована по Международному стандарту ISO 9001;
- Лицензия ФСБ на осуществление работ с использованием сведений, составляющих государственную тайну;
- Поставка специализированных компонентов (Xilinx, Altera, Analog Devices, Intersil, Interpoint, Microsemi, Aeroflex, Peregrine, Syfer, Eurofarad, Texas Instrument, Miteq, Cobham, E2V, MA-COM, Hittite, Mini-Circuits, General Dynamics и др.);

Помимо этого, одним из направлений компании «ЭлектроПласт» является направление «Источники питания». Мы предлагаем Вам помощь Конструкторского отдела:

- Подбор оптимального решения, техническое обоснование при выборе компонента;
- Подбор аналогов;
- Консультации по применению компонента;
- Поставка образцов и прототипов;
- Техническая поддержка проекта;
- Защита от снятия компонента с производства.



Как с нами связаться

Телефон: 8 (812) 309 58 32 (многоканальный)

Факс: 8 (812) 320-02-42

Электронная почта: org@eplast1.ru

Адрес: 198099, г. Санкт-Петербург, ул. Калинина, дом 2, корпус 4, литера А.