

PLEASE CHECK WWW.MOLEX.COM FOR LATEST PART INFORMATION

Part Number: [0836199003](#)
Status: **Active**
Overview: [commercial_microd](#)
Description: 1.27mm (.050") Pitch Ulti-Mate™ Commerical Micro D, Dual Stack, PCB Mount, Right Angle Plug, 18 Circuits

Documents:

[3D Model](#) [Product Specification PS-83421-001 \(PDF\)](#)
[Drawing \(PDF\)](#) [RoHS Certificate of Compliance \(PDF\)](#)

General

Product Family	I/O Connectors
Series	83619
Application	Wire-to-Board
Comments	Dual Stack
Component Type	Plug
Overview	commercial_microd
Product Literature Order No	USA-063
Product Name	Commercial Micro-D
Type	N/A

Physical

Boot Color	N/A
Circuits (Loaded)	18
Circuits (maximum)	18
Durability (mating cycles max)	500
Gender	Plug
Lock to Mating Part	Yes
Material - Plating Mating	Gold
Number of Rows	2
Orientation	Right Angle
PC Tail Length (in)	0.110 In
PC Tail Length (mm)	2.79 mm
PCB Locator	Yes
PCB Retention	Yes
PCB Thickness Recommended (in)	0.060 In
PCB Thickness Recommended (mm)	1.52 mm
Packaging Type	Tube
Panel Mount	Yes
Pitch - Mating Interface (in)	0.050 In
Pitch - Mating Interface (mm)	1.27 mm
Pitch - Term. Interface (in)	0.050 In
Pitch - Term. Interface (mm)	1.27 mm
Plating min: Mating (µin)	15
Plating min: Mating (µm)	0.38
Polarized to Mating Part	Yes
Polarized to PCB	Yes
Ports	2
Surface Mount Compatible (SMC)	No
Temperature Range - Operating	-40°C to +125°C
Termination Interface: Style	Through Hole
Waterproof / Dustproof	No
Wire Size AWG	N/A

Electrical

Current - Maximum per Contact	1A
-------------------------------	----

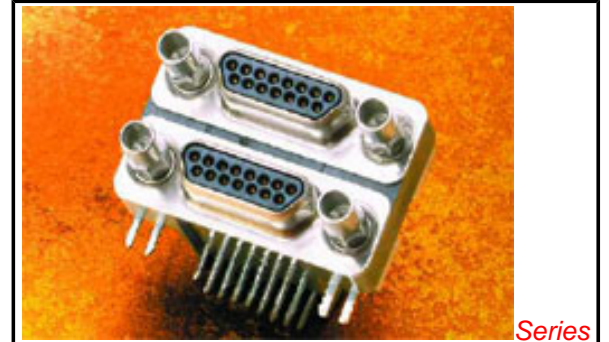


image - Reference only

Series

EU RoHS

**ELV and RoHS
Compliant**

REACH SVHC

Not Reviewed

Halogen-Free

Status

Not Reviewed

**Need more information on product
environmental compliance?**

Email productcompliance@molex.com
For a multiple part number RoHS Certificate of
Compliance, [click here](#)

Please visit the [Contact Us](#) section for any
non-product compliance questions.

China RoHS



Search Parts in this Series

[83619Series](#)

Mates With

[83421 Cable Assembly](#)

Shield Type	Full Shield
Shielded	Yes
Voltage - Maximum	350V AC

Solder Process Data

Max. Cycles at Max. Process Temperature	0
---	---

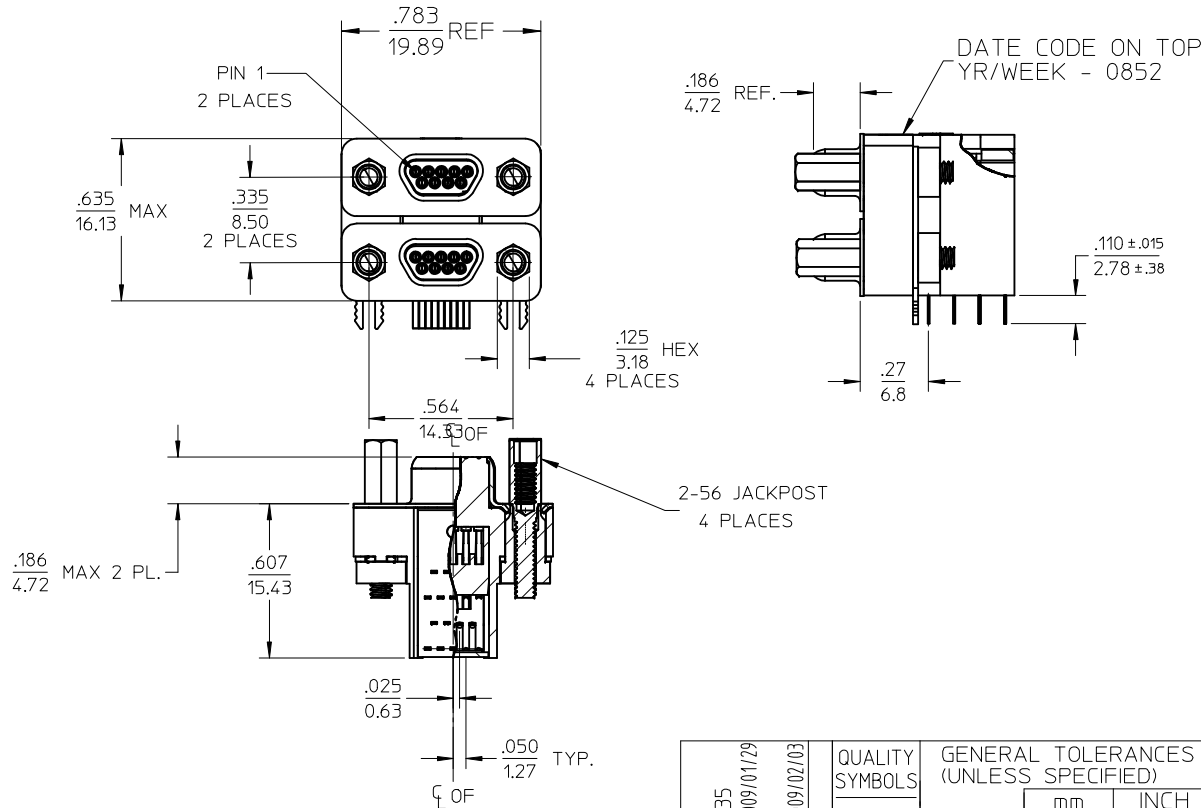
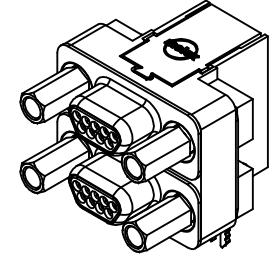
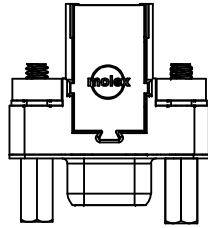
Material Info**Reference - Drawing Numbers**

Packaging Specification	PK-83619-008
Product Specification	PS-83421-001
Sales Drawing	SD-83619-008

This document was generated on 05/26/2010

PLEASE CHECK WWW.MOLEX.COM FOR LATEST PART INFORMATION

10	9	8	7	6	5	4	3	2	1
MATERIAL NO.	ENGINEERING NO.								
836199003	83619-9003								

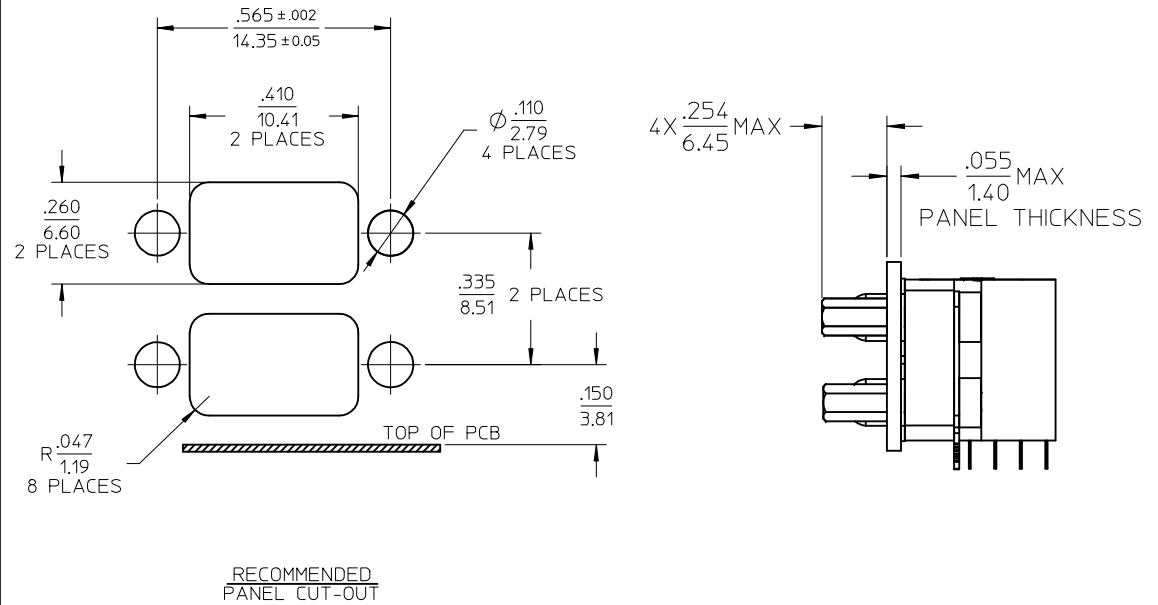
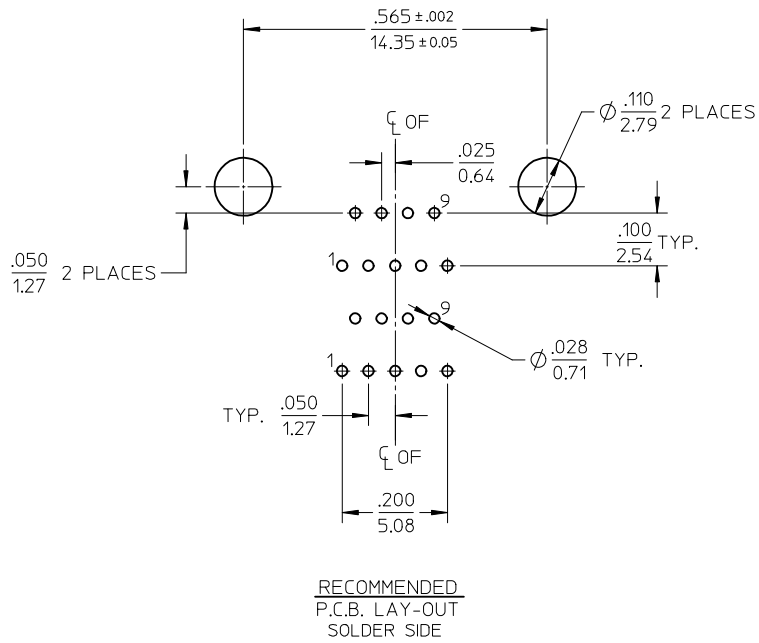


SALES DRAWING

- 4. RoHS COMPLIANT
 - 3. FOR PRODUCT SPEC SEE PS-83421-001
 - 2. SEE SHEET 2 OF 2 FOR P.C.B. LAYOUT AND PANEL CUT-OUT DIMENSIONS.
 - 1. MARKING: NONE.
- NOTES UNLESS OTHERWISE SPECIFIED

REDRAWN EC NO: WNA2009-0335 DRWN: BRUPERT 2009/01/29 CHKD: APPR: JFURPHY 2009/02/03 DESCRIPTION	QUALITY SYMBOLS	GENERAL TOLERANCES (UNLESS SPECIFIED)		DIMENSION STYLE		SCALE	DESIGN UNITS	THIRD ANGLE PROJECTION	
	$\nabla=0$ $\sphericalangle=0$	mm	INCH	IN/MM	DATE	2:1	INCH		
		4 PLACES ± --- ± ---	3 PLACES ± --- ± .005	DRAWN BY	04/09/20	TITLE	DUAL CONN PLG RT ANG, COMM-D, SIZE 9		
		2 PLACES ± 0.13 ± .01	1 PLACE ± 0.25 ± ---	CHECKED BY	DATE	MOLEX INCORPORATED			
	ANGULAR ± 1/2°		APPROVED BY	DATE	MATERIAL NO.		DOCUMENT NO.	SHEET NO.	
	DRAFT WHERE APPLICABLE MUST REMAIN WITHIN DIMENSIONS		RDEROSS	04/09/29	SEE CHART		SD-83619-008	1 OF 2	
	THIS DRAWING CONTAINS INFORMATION THAT IS PROPRIETARY TO MOLEX INCORPORATED AND SHOULD NOT BE USED WITHOUT WRITTEN PERMISSION								

10	9	8	7	6	5	4	3	2	1
MATERIAL NO.	ENGINEERING NO.								
836199003	83619-9003								



REDRAWN EC NO: WNA2009-0335 DRWN:BRUPERT 2009/01/29 CHKD: APPR: J MURPHY 2009/02/03	QUALITY SYMBOLS	GENERAL TOLERANCES (UNLESS SPECIFIED)	DIMENSION STYLE	SCALE	DESIGN UNITS	THIRD ANGLE PROJECTION																													
	$\nabla=0$ $\nabla C=0$	<table border="1"> <thead> <tr> <th></th> <th>mm</th> <th>INCH</th> </tr> </thead> <tbody> <tr> <td>4 PLACES</td> <td>± ---</td> <td>± ---</td> </tr> <tr> <td>3 PLACES</td> <td>± ---</td> <td>± .005</td> </tr> <tr> <td>2 PLACES</td> <td>± 0.13</td> <td>± .01</td> </tr> <tr> <td>1 PLACE</td> <td>± 0.25</td> <td>± ---</td> </tr> </tbody> </table>		mm	INCH	4 PLACES	± ---	± ---	3 PLACES	± ---	± .005	2 PLACES	± 0.13	± .01	1 PLACE	± 0.25	± ---	<table border="1"> <thead> <tr> <th colspan="2">IN/MM</th> </tr> </thead> <tbody> <tr> <td>DRAWN BY</td> <td>DATE</td> </tr> <tr> <td>JLOMASTR</td> <td>04/09/20</td> </tr> <tr> <td>CHECKED BY</td> <td>DATE</td> </tr> <tr> <td>RDEROSS</td> <td>04/09/27</td> </tr> <tr> <td>APPROVED BY</td> <td>DATE</td> </tr> <tr> <td>RDEROSS</td> <td>04/09/29</td> </tr> </tbody> </table>	IN/MM		DRAWN BY	DATE	JLOMASTR	04/09/20	CHECKED BY	DATE	RDEROSS	04/09/27	APPROVED BY	DATE	RDEROSS	04/09/29	2:1	INCH	
		mm	INCH																																
	4 PLACES	± ---	± ---																																
3 PLACES	± ---	± .005																																	
2 PLACES	± 0.13	± .01																																	
1 PLACE	± 0.25	± ---																																	
IN/MM																																			
DRAWN BY	DATE																																		
JLOMASTR	04/09/20																																		
CHECKED BY	DATE																																		
RDEROSS	04/09/27																																		
APPROVED BY	DATE																																		
RDEROSS	04/09/29																																		
DRAFT WHERE APPLICABLE MUST REMAIN WITHIN DIMENSIONS	SEE CHART	MATERIAL NO. SD-83619-008	TITLE DUAL CONN PLG RT ANG,COMM-D,SIZE 9	MOLEX INCORPORATED	SHEET NO. 2 OF 2																														
SIZE A3	THIS DRAWING CONTAINS INFORMATION THAT IS PROPRIETARY TO MOLEX INCORPORATED AND SHOULD NOT BE USED WITHOUT WRITTEN PERMISSION																																		



Компания «ЭлектроПласт» предлагает заключение долгосрочных отношений при поставках импортных электронных компонентов на взаимовыгодных условиях!

Наши преимущества:

- Оперативные поставки широкого спектра электронных компонентов отечественного и импортного производства напрямую от производителей и с крупнейших мировых складов;
- Поставка более 17-ти миллионов наименований электронных компонентов;
- Поставка сложных, дефицитных, либо снятых с производства позиций;
- Оперативные сроки поставки под заказ (от 5 рабочих дней);
- Экспресс доставка в любую точку России;
- Техническая поддержка проекта, помощь в подборе аналогов, поставка прототипов;
- Система менеджмента качества сертифицирована по Международному стандарту ISO 9001;
- Лицензия ФСБ на осуществление работ с использованием сведений, составляющих государственную тайну;
- Поставка специализированных компонентов (Xilinx, Altera, Analog Devices, Intersil, Interpoint, Microsemi, Aeroflex, Peregrine, Syfer, Eurofarad, Texas Instrument, Miteq, Cobham, E2V, MA-COM, Hittite, Mini-Circuits, General Dynamics и др.);

Помимо этого, одним из направлений компании «ЭлектроПласт» является направление «Источники питания». Мы предлагаем Вам помощь Конструкторского отдела:

- Подбор оптимального решения, техническое обоснование при выборе компонента;
- Подбор аналогов;
- Консультации по применению компонента;
- Поставка образцов и прототипов;
- Техническая поддержка проекта;
- Защита от снятия компонента с производства.



Как с нами связаться

Телефон: 8 (812) 309 58 32 (многоканальный)

Факс: 8 (812) 320-02-42

Электронная почта: org@eplast1.ru

Адрес: 198099, г. Санкт-Петербург, ул. Калинина, дом 2, корпус 4, литера А.