

## Aluminum Capacitors Power Long Life 4-Terminal Snap-In

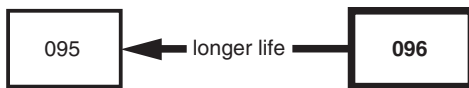


Fig. 1

QUICK REFERENCE DATA	
DESCRIPTION	VALUE
Nominal case size (D x L in mm)	35 x 50 to 45 x 100
Rated capacitance range $C_R$	390 $\mu$ F to 2700 $\mu$ F
Tolerance on $C_R$	$\pm 20\%$
Rated voltage range, $U_R$	350 V to 500 V
Category temperature range	- 40 °C to + 85 °C
Endurance test at 85 °C	2000 h
Useful life at 85 °C	5000 h
Useful life at 40 °C, 1.4 x $I_R$ applied	200 000 h
Shelf life at 0 V, 85 °C	1000 h
Based on sectional specification	IEC 60384-4/EN130300
Climatic category IEC 60068	40/085/56

**FEATURES**

- Polarized aluminum electrolytic capacitors, non-solid electrolyte
- Large types, minimized dimensions, cylindrical aluminum case, insulated with a blue sleeve
- Pressure relief on the side of the aluminum case
- Very long useful life: 5000 h at 85 °C
- Temperature range up to 85 °C
- Keyed polarity
- Low ESR, high ripple current capability
- Compliant to RoHS Directive 2002/95/EC


**RoHS  
COMPLIANT**
**APPLICATIONS**

- Telecommunication and industrial systems
- Smoothing and filtering applications
- Switched mode power supplies
- Renewable energy power converters
- Energy storage in pulse systems
- For excellent mounting stability

**MARKING**

The capacitors are marked (where possible) with the following information:

- Rated capacitance (in  $\mu$ F)
- Tolerance code on rated capacitance, code letter in accordance with IEC 60062 (M for  $\pm 20\%$ )
- Rated voltage (in V)
- Date code (YYMM)
- Name of manufacturer
- Code for factory of origin
- “-” sign to identify the negative terminal, visible from the top and side of the capacitor
- Code number
- Climatic category in accordance with IEC 60068

SELECTION CHART FOR $C_R$ , $U_R$ , AND RELEVANT NOMINAL CASE SIZES ( $\varnothing$ D x L in mm)						
$C_R$ ( $\mu$ F)	$U_R$ (V)					
	350	385	400	420	450	500
390	-	-	-	-	-	35 x 60
470	-	-	-	-	-	35 x 70
560	-	-	-	-	35 x 60	35 x 70 40 x 60
680	-	35 x 50 40 x 50	35 x 60 40 x 50	35 x 60 40 x 50	35 x 70 40 x 50	35 x 80 40 x 70
820	35 x 50 40 x 40	35 x 60 40 x 50	35 x 60 40 x 50	35 x 70 40 x 60	35 x 80 40 x 60	35 x 100 40 x 80
1000	35 x 60 40 x 50	35 x 70 40 x 60	35 x 70 40 x 60 45 x 50	35 x 80 40 x 60	35 x 100 40 x 70 45 x 60	40 x 100 45 x 70
1200	35 x 70 40 x 60	35 x 80 40 x 70	35 x 80 40 x 70 45 x 60	40 x 70	40 x 80 45 x 70	45 x 100
1500	35 x 80 40 x 70 45 x 60	40 x 80 45 x 60	35 x 100 40 x 80 45 x 70	40 x 100 45 x 70	40 x 100 45 x 80	45 x 100
1800	40 x 80 45 x 60	40 x 100 45 x 70	40 x 100 45 x 80	40 x 100 45 x 80	45 x 100	-
2200	40 x 100 45 x 70	40 x 100	45 x 100	45 x 100	-	-
2700	45 x 100	45 x 100	45 x 100	-	-	-

**DIMENSIONS** in millimeters **AND AVAILABLE FORMS**

**PRINTED WIRING**

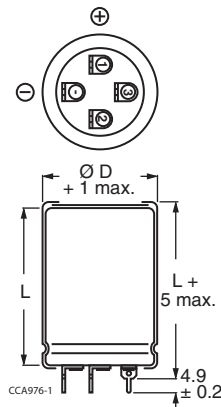


Fig. 2 - Printed wiring pin version  
(Case Ø D = 35 mm)

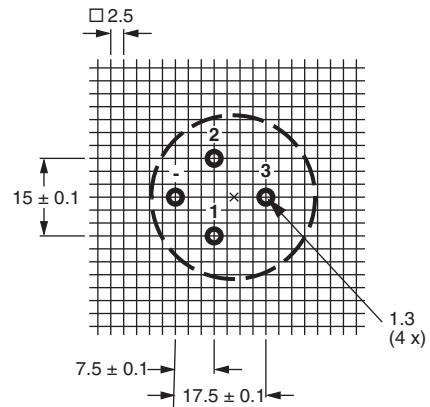


Fig. 3 - Mounting hole diagram viewed from component side  
(Case Ø D = 35 mm)

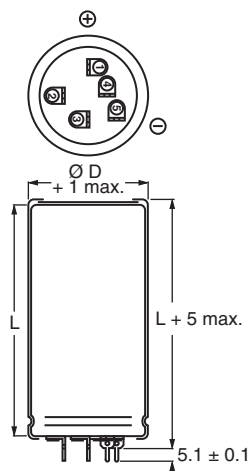


Fig. 4 - Printed wiring pin version  
(Case Ø D = 40 mm)

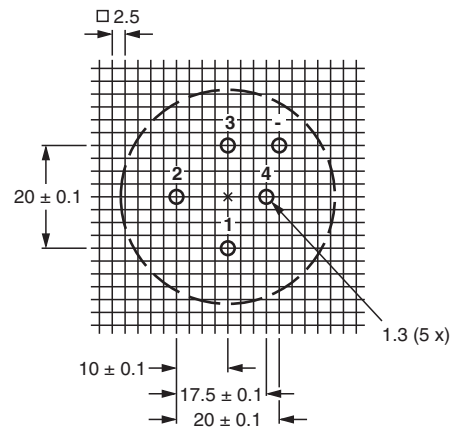
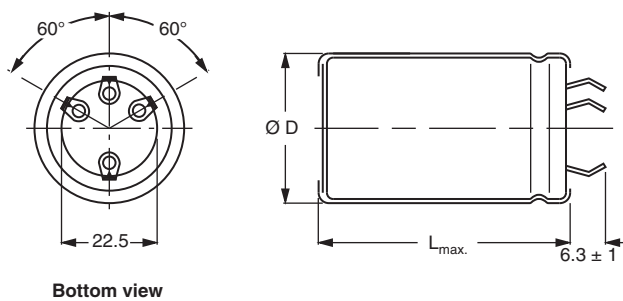


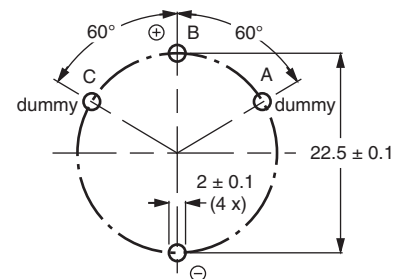
Fig. 5 - Mounting hole diagram viewed from component side  
(Case Ø D = 40 mm)

**FOUR TERMINAL SNAP-IN**



Bottom view

Fig. 6 - 4-Terminal snap-in



Dummy terminals (A and C) must be free from the electrical circuit

Fig. 7 - Mounting hole diagram

**Pin numbers 2, 3 and 4 (if present) should be free from the electrical circuit or connected to the minus terminal.**



Table 1

DIMENSIONS in millimeters, MASS AND PACKAGING QUANTITIES						
NOMINAL CASE SIZE Ø D x L	Ø D <sub>MAX.</sub>	4T-SI L <sub>max.</sub>	PW L + 5	MASS (g)	PACKAGING QUANTITIES (units per box)	CARDBOARD BOX DIMENSIONS L x W x H
35 x 50	36	52	55	72	50	390 x 198 x 60
35 x 60	36	62	65	91	50	390 x 198 x 70
35 x 70	36	72	75	103	50	377 x 375 x 97
35 x 80	36	82	85	115	50	377 x 375 x 107
35 x 100	36	102	105	151	50	377 x 375 x 127
40 x 40	41	42	45	70	50	440 x 223 x 60
40 x 50	41	52	55	94	50	440 x 223 x 70
40 x 60	41	62	65	118	25	230 x 230 x 80
40 x 70	41	72	75	134	25	230 x 230 x 90
40 x 80	41	82	85	150	25	230 x 230 x 100
40 x 100	41	102	105	176	25	230 x 230 x 120
45 x 40	46	42	-	88	36	TBD
45 x 50	46	52	-	119	36	377 x 375 x 77
45 x 60	46	62	-	150	36	377 x 375 x 87
45 x 70	46	72	-	170	36	377 x 375 x 97
45 x 80	46	82	-	190	36	377 x 375 x 107
45 x 100	46	102	-	250	36	377 x 375 x 127

ELECTRICAL DATA	
SYMBOL	DESCRIPTION
C <sub>R</sub>	Rated capacitance at 100 Hz
I <sub>R</sub>	Rated RMS ripple current at 100 Hz and 85 °C
I <sub>L5</sub>	Max. leakage current after 5 min at U <sub>R</sub>
ESR	Max. equivalent series resistance at 100 Hz
Z	Max. impedance at 10 kHz

Note

- Unless otherwise specified, all electrical values in Table 2 apply at T<sub>amb</sub> = 20 °C, P = 86 kPa to 106 kPa, RH = 45 % to 75 %

ORDERING EXAMPLE

Electrolytic capacitor 096 series

820 µF/385 V;

Printed wiring:

Ordering code: MAL2 096 18821 E3

Former 12NC: 2222 096 18821

4-terminal snap-in:

Ordering code: MAL2 096 68821 E3

Former 12NC: 2222 096 68821

Table 2

ELECTRICAL DATA AND ORDERING INFORMATION								
U <sub>R</sub> (V)	C <sub>R</sub> 100 Hz (µF)	NOMINAL CASE SIZE Ø D x L (mm)	I <sub>R</sub> 100 Hz 85 °C (A)	I <sub>L5</sub> 5 min (µA)	ESR 100 Hz (mΩ)	Z <sub>max.</sub> 10 kHz (mΩ)	CATALOG NUMBER MAL2096.....	
							4T-SI	PW
350	820	35 x 50	4.0	578	126	82	15821E3	65821E3
	820	40 x 40	3.8	578	134	90	25821E3	75821E3
	1000	35 x 60	4.7	704	104	67	15102E3	65102E3
	1000	40 x 50	4.8	704	108	72	25102E3	75102E3
	1200	35 x 70	5.3	844	87	57	15122E3	65122E3
	1200	40 x 60	5.4	844	90	59	25122E3	75122E3
	1500	35 x 80	6.0	1054	71	47	15152E3	65152E3
	1500	40 x 70	6.2	1054	73	49	25152E3	75152E3
	1500	45 x 60	6.3	1054	76	52	35152E3	-
	1800	40 x 80	6.9	1264	62	41	25182E3	75182E3
	1800	45 x 60	6.6	1264	68	48	35182E3	-
	2200	40 x 100	8.2	1544	51	34	25222E3	75222E3
	2200	45 x 70	7.4	1544	57	41	35222E3	-
	2700	45 x 100	9.2	1894	44	30	35272E3	-



ELECTRICAL DATA AND ORDERING INFORMATION								
U <sub>R</sub> (V)	C <sub>R</sub> 100 Hz (µF)	NOMINAL CASE SIZE Ø D x L (mm)	I <sub>R</sub> 100 Hz 85 °C (A)	I <sub>L5</sub> 5 min (µA)	ESR 100 Hz (mΩ)	Z <sub>max.</sub> 10 kHz (mΩ)	CATALOG NUMBER MAL2096.....	
							4T-SI	PW
385	680	35 x 50	3.7	528	140	88	18681E3	68681E3
	680	40 x 50	4.2	528	140	87	28681E3	78681E3
	820	35 x 60	4.4	635	116	73	18821E3	68821E3
	820	40 x 50	4.5	635	120	76	28821E3	78821E3
	1000	35 x 70	5.0	774	96	60	18102E3	68102E3
	1000	40 x 60	5.1	774	99	63	28102E3	78102E3
	1200	35 x 80	5.5	928	81	51	18122E3	68122E3
	1200	40 x 70	5.7	928	83	53	28122E3	78122E3
	1500	40 x 80	6.5	1159	68	43	28152E3	78152E3
	1500	45 x 60	6.2	1159	74	50	38152E3	-
	1800	40 x 100	7.7	1390	56	36	28182E3	78182E3
	1800	45 x 70	7.0	1390	62	43	38182E3	-
	2200	40 x 100	8.2	1698	49	32	28222E3	78222E3
	2700	45 x 100	9.1	2083	43	29	38272E3	-
400	680	35 x 60	4.1	548	134	82	16681E3	66681E3
	680	40 x 50	4.2	548	138	85	26681E3	76681E3
	820	35 x 60	4.4	660	114	71	16821E3	66821E3
	820	40 x 50	4.5	660	119	75	26821E3	76821E3
	1000	35 x 70	5.0	804	94	59	16102E3	66102E3
	1000	40 x 60	5.1	804	97	62	26102E3	76102E3
	1000	45 x 50	5.1	804	103	67	36102E3	-
	1200	35 x 80	5.5	964	80	50	16122E3	66122E3
	1200	40 x 70	5.7	964	82	52	26122E3	76122E3
	1200	45 x 60	5.9	964	85	55	36122E3	-
	1500	35 x 100	7.1	1204	64	40	16152E3	66152E3
	1500	40 x 80	6.5	1204	67	43	26152E3	76152E3
	1500	45 x 70	6.6	1204	69	46	36152E3	-
	1800	40 x 100	7.7	1444	56	35	26182E3	76182E3
	1800	45 x 80	7.3	1444	59	39	36182E3	-
	2200	45 x 100	8.6	1764	48	32	36222E3	-
2700	45 x 100	9.1	2164	42	29	36272E3	-	
420	680	35 x 60	4.1	575	137	85	14681E3	64681E3
	680	40 x 50	4.2	575	141	89	24681E3	74681E3
	820	35 x 70	4.6	693	114	71	14821E3	64821E3
	820	40 x 60	4.7	693	117	74	24821E3	74821E3
	1000	35 x 80	5.1	844	95	59	14102E3	64102E3
	1000	40 x 60	5.1	844	100	64	24102E3	74102E3
	1200	40 x 70	5.7	1012	84	54	24122E3	74122E3
	1500	40 x 100	7.2	1264	66	42	24152E3	74152E3
	1500	45 x 70	6.6	1264	71	48	34152E3	-
	1800	40 x 100	7.6	1516	57	37	24182E3	74182E3
	1800	45 x 80	7.2	1516	60	40	34182E3	-
	2200	45 x 100	8.5	1852	49	33	34222E3	-



ELECTRICAL DATA AND ORDERING INFORMATION								
U <sub>R</sub> (V)	C <sub>R</sub> 100 Hz (µF)	NOMINAL CASE SIZE Ø D x L (mm)	I <sub>R</sub> 100 Hz 85 °C (A)	I <sub>L5</sub> 5 min (µA)	ESR 100 Hz (mΩ)	Z <sub>max.</sub> 10 kHz (mΩ)	CATALOG NUMBER MAL2096.....	
							4T-SI	PW
450	560	35 x 60	3.8	508	155	94	17561E3	67561E3
	680	35 x 70	4.2	616	129	78	17681E3	67681E3
	680	40 x 50	4.2	616	136	85	27681E3	77681E3
	820	35 x 80	4.8	742	108	66	17821E3	67821E3
	820	40 x 60	4.7	742	112	70	27821E3	77821E3
	1000	35 x 100	6.0	904	89	54	17102E3	67102E3
	1000	40 x 70	5.3	904	93	58	27102E3	77102E3
	1000	45 x 60	5.5	904	97	62	37102E3	-
	1200	40 x 80	6.0	1084	78	49	27122E3	77122E3
	1200	45 x 70	6.1	1084	81	52	37122E3	-
	1500	40 x 100	7.2	1354	63	39	27152E3	77152E3
	1500	45 x 80	6.8	1354	67	43	37152E3	-
	1800	45 x 100	8.0	1624	55	35	37182E3	-
500	390	35 x 60	2.9	394	475	421	19391E3	69391E3
	470	35 x 70	3.3	474	395	350	19471E3	69471E3
	560	35 x 70	3.6	564	333	296	19561E3	69561E3
	560	40 x 60	3.7	564	336	299	29561E3	79561E3
	680	35 x 80	4.1	684	275	245	19681E3	69681E3
	680	40 x 70	4.2	684	277	247	29681E3	79681E3
	820	35 x 100	5.1	824	229	203	19821E3	69821E3
	820	40 x 80	4.7	824	231	206	29821E3	79821E3
	1000	40 x 100	5.6	1004	189	169	29102E3	79102E3
	1000	45 x 70	5.3	1004	195	176	39102E3	-
	1200	45 x 100	6.4	1204	160	144	39122E3	-
	1500	45 x 100	7.0	1504	131	118	39152E3	-

ADDITIONAL ELECTRICAL DATA		
PARAMETER	CONDITIONS	VALUE
<b>Voltage</b>		
Surge voltage	≥ 350 V versions	U <sub>s</sub> = 1.1 x U <sub>R</sub>
Reverse voltage		U <sub>rev</sub> ≤ 1
<b>Current</b>		
Leakage current	After 1 min at U <sub>R</sub>	I <sub>L1</sub> ≤ 0.006 C <sub>R</sub> x U <sub>R</sub> + 4 µA
	After 5 min at U <sub>R</sub>	I <sub>L5</sub> ≤ 0.002 C <sub>R</sub> x U <sub>R</sub> + 4 µA
<b>Inductance</b>		
Equivalent series inductance (ESL)	All case sizes	Ca. 20 nH

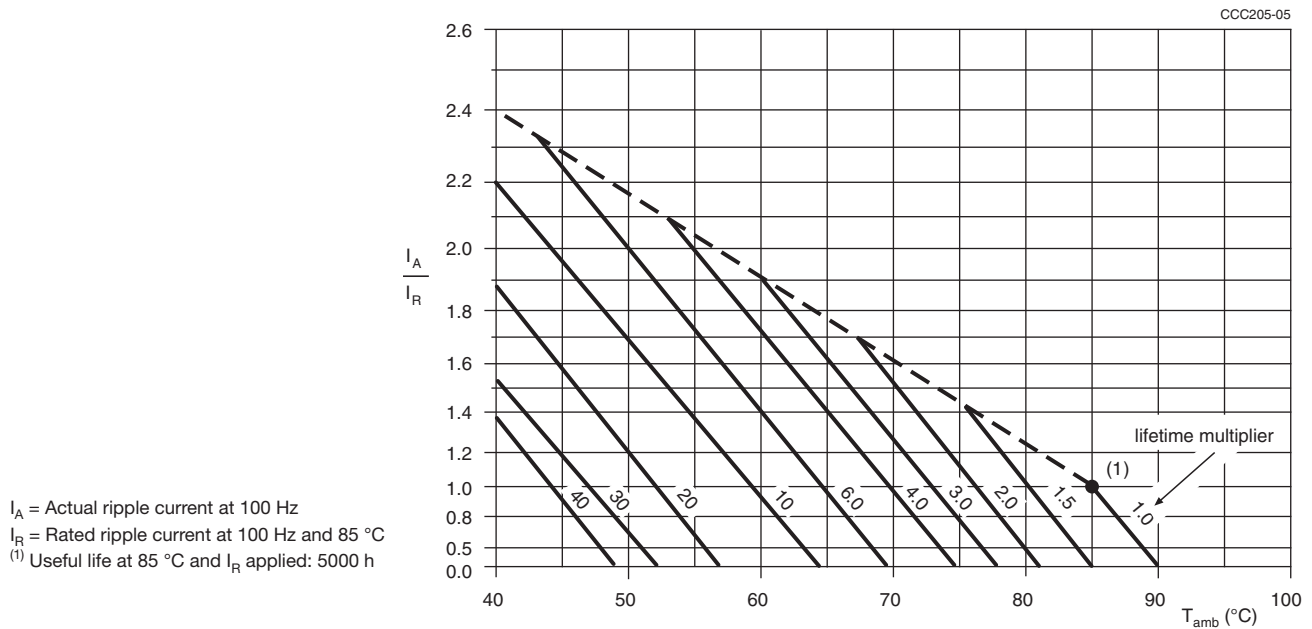
**RIPPLE CURRENT AND USEFUL LIFE**


Fig. 8 - Multiplier of useful life as a function of ambient temperature and ripple current load

**Table 3**

MULTIPLIER OF RIPPLE CURRENT ( $I_R$ ) AS A FUNCTION OF FREQUENCY	
FREQUENCY (Hz)	$I_R$ MULTIPLIER
50	0.9
100	1.0
200	1.2
400	1.3
1000	1.4
10 000	1.5

**Table 4**

TEST PROCEDURES AND REQUIREMENTS			
TEST		PROCEDURE (quick reference)	REQUIREMENTS
NAME OF TEST	REFERENCE		
Endurance	IEC 60384-4/ EN130300 subclause 4.13	$T_{amb} = 85\text{ °C}$ ; $U_R$ applied 2000 h	$\Delta C/C: \pm 10\%$ $ESR \leq 1.3 \times \text{spec. limit}$ $Z \leq 2 \times \text{spec. limit}$ $I_{L5} \leq \text{spec. limit}$
Useful life	CECC 30301 subclause 4.13	$T_{amb} = 85\text{ °C}$ ; $U_R$ and $I_R$ applied; 5000 h	$\Delta C/C: \pm 30\%$ $ESR \leq 3 \times \text{spec. limit}$ $Z \leq 3 \times \text{spec. limit}$ $I_{L5} \leq \text{spec. limit}$ no short or open circuit, no visible damage total failure percentage: $\leq 3\%$
Shelf life	IEC 60384-4/ EN130300 subclause 4.17	$T_{amb} = 85\text{ °C}$ ; no voltage applied; 1000 h  After test: $U_R$ to be applied for 30 min 24 h to 48 h before measurement	$\Delta C/C: \pm 10\%$ $ESR \leq 1.2 \times \text{spec. limit}$ $I_{L5} \leq 2 \times \text{spec. limit}$



## Disclaimer

ALL PRODUCT, PRODUCT SPECIFICATIONS AND DATA ARE SUBJECT TO CHANGE WITHOUT NOTICE TO IMPROVE RELIABILITY, FUNCTION OR DESIGN OR OTHERWISE.

Vishay Intertechnology, Inc., its affiliates, agents, and employees, and all persons acting on its or their behalf (collectively, "Vishay"), disclaim any and all liability for any errors, inaccuracies or incompleteness contained in any datasheet or in any other disclosure relating to any product.

Vishay makes no warranty, representation or guarantee regarding the suitability of the products for any particular purpose or the continuing production of any product. To the maximum extent permitted by applicable law, Vishay disclaims (i) any and all liability arising out of the application or use of any product, (ii) any and all liability, including without limitation special, consequential or incidental damages, and (iii) any and all implied warranties, including warranties of fitness for particular purpose, non-infringement and merchantability.

Statements regarding the suitability of products for certain types of applications are based on Vishay's knowledge of typical requirements that are often placed on Vishay products in generic applications. Such statements are not binding statements about the suitability of products for a particular application. It is the customer's responsibility to validate that a particular product with the properties described in the product specification is suitable for use in a particular application. Parameters provided in datasheets and/or specifications may vary in different applications and performance may vary over time. All operating parameters, including typical parameters, must be validated for each customer application by the customer's technical experts. Product specifications do not expand or otherwise modify Vishay's terms and conditions of purchase, including but not limited to the warranty expressed therein.

Except as expressly indicated in writing, Vishay products are not designed for use in medical, life-saving, or life-sustaining applications or for any other application in which the failure of the Vishay product could result in personal injury or death. Customers using or selling Vishay products not expressly indicated for use in such applications do so at their own risk. Please contact authorized Vishay personnel to obtain written terms and conditions regarding products designed for such applications.

No license, express or implied, by estoppel or otherwise, to any intellectual property rights is granted by this document or by any conduct of Vishay. Product names and markings noted herein may be trademarks of their respective owners.

## Material Category Policy

**Vishay Intertechnology, Inc. hereby certifies that all its products that are identified as RoHS-Compliant fulfill the definitions and restrictions defined under Directive 2011/65/EU of The European Parliament and of the Council of June 8, 2011 on the restriction of the use of certain hazardous substances in electrical and electronic equipment (EEE) - recast, unless otherwise specified as non-compliant.**

**Please note that some Vishay documentation may still make reference to RoHS Directive 2002/95/EC. We confirm that all the products identified as being compliant to Directive 2002/95/EC conform to Directive 2011/65/EU.**

**Vishay Intertechnology, Inc. hereby certifies that all its products that are identified as Halogen-Free follow Halogen-Free requirements as per JEDEC JS709A standards. Please note that some Vishay documentation may still make reference to the IEC 61249-2-21 definition. We confirm that all the products identified as being compliant to IEC 61249-2-21 conform to JEDEC JS709A standards.**



Компания «ЭлектроПласт» предлагает заключение долгосрочных отношений при поставках импортных электронных компонентов на взаимовыгодных условиях!

Наши преимущества:

- Оперативные поставки широкого спектра электронных компонентов отечественного и импортного производства напрямую от производителей и с крупнейших мировых складов;
- Поставка более 17-ти миллионов наименований электронных компонентов;
- Поставка сложных, дефицитных, либо снятых с производства позиций;
- Оперативные сроки поставки под заказ (от 5 рабочих дней);
- Экспресс доставка в любую точку России;
- Техническая поддержка проекта, помощь в подборе аналогов, поставка прототипов;
- Система менеджмента качества сертифицирована по Международному стандарту ISO 9001;
- Лицензия ФСБ на осуществление работ с использованием сведений, составляющих государственную тайну;
- Поставка специализированных компонентов (Xilinx, Altera, Analog Devices, Intersil, Interpoint, Microsemi, Aeroflex, Peregrine, Syfer, Eurofarad, Texas Instrument, Miteq, Cobham, E2V, MA-COM, Hittite, Mini-Circuits, General Dynamics и др.);

Помимо этого, одним из направлений компании «ЭлектроПласт» является направление «Источники питания». Мы предлагаем Вам помощь Конструкторского отдела:

- Подбор оптимального решения, техническое обоснование при выборе компонента;
- Подбор аналогов;
- Консультации по применению компонента;
- Поставка образцов и прототипов;
- Техническая поддержка проекта;
- Защита от снятия компонента с производства.



#### Как с нами связаться

**Телефон:** 8 (812) 309 58 32 (многоканальный)

**Факс:** 8 (812) 320-02-42

**Электронная почта:** [org@eplast1.ru](mailto:org@eplast1.ru)

**Адрес:** 198099, г. Санкт-Петербург, ул. Калинина, дом 2, корпус 4, литера А.