

REVISIONS

| P | LTR | DESCRIPTION | DATE | DWN | APVD |
|---|-----|-----------------------|--------|-----|------|
| | C | REV PER ECO 17-004696 | 5-8-17 | CT | EH |



SELF-LOCKING
SHIELD BAND TERMINATION
SHRINK BOOT ACCOMMODATION ADAPTER


1. THIS PRODUCT IS DESIGNED TO TERMINATE A BRAIDED CABLE SHIELD AND A HEAT SHRINKABLE LIPPED BOOT TO A CONNECTOR, AND DESIGNED TO MEET PERFORMANCE REQUIREMENTS OF AS85049/82.
2. ALL COMPONENTS SHALL BE PACKAGED AND SUPPLIED IN A PLASTIC BAG AND LABELED WITH M85049/82 DESIGNATION. e.g. M85049/82-14W02.
3. PART SUPPLIED WITH STANDARD DETENTED SELF-LOCKING WHICH PROVIDES A POSITIVE AUDIBLE DETENTED COUPLING.
4. THIS ADAPTER MATES TO CONNECTOR SAE-AS50151 CRIMP, MIL-DTL-26482 SERIES 2, SAE-AS81703 SERIES 3, AND MIL-DTL-83723 SERIES III.
5. FOR MATERIALS AND PLATING FINISHES INFORMATION REFER TO R85049. FOR ALTERNATIVE MATERIALS AND PLATING FINISHES CONTACT TE CONNECTIVITY.

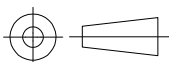
RELEASED FOR PUBLICATION

ALL RIGHTS RESERVED.

THIS DRAWING IS UNPUBLISHED.

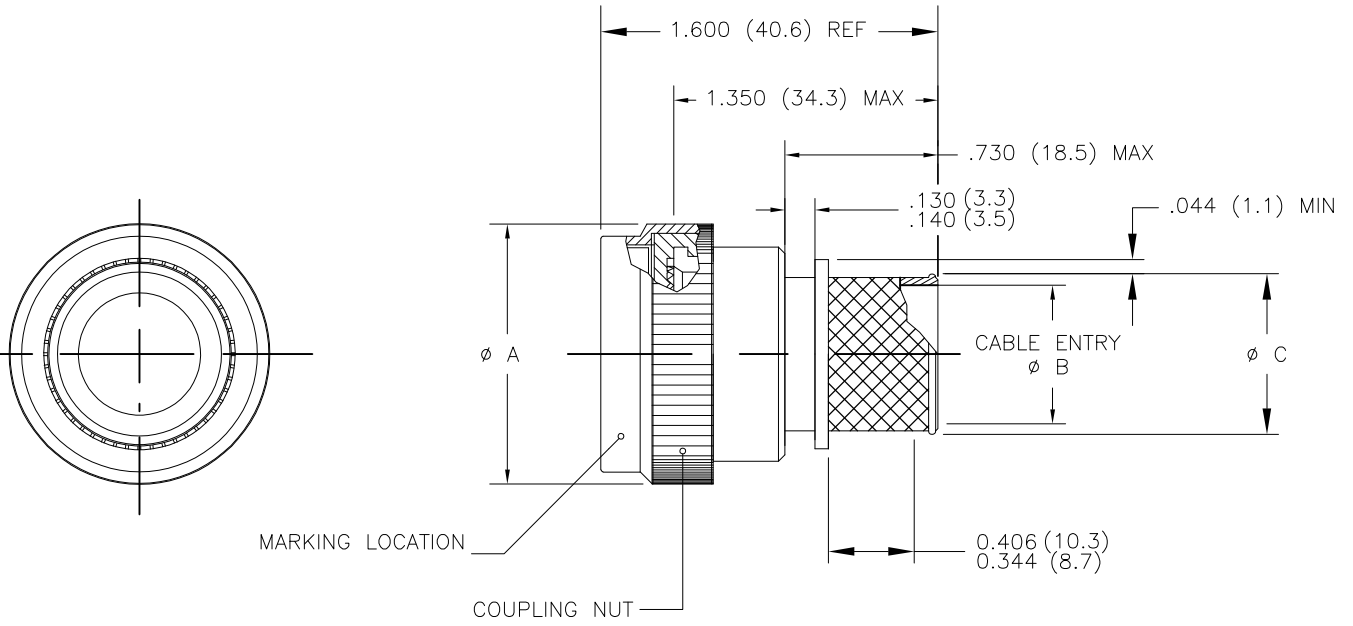
© COPYRIGHT - TE Connectivity

| | | | | | | | |
|--|------------------|------------|-----------|--|---|------------|---------------|
| DIMENSIONS: INCHES | DWN | C.C.THOMAS | 08MAY2017 | MATERIAL | - | FINISH | - |
| | CHK | E.HALEY | 5-8-17 |  TE Connectivity | | | |
| TOLERANCES UNLESS OTHERWISE SPECIFIED: | APVD | E.HALEY | 5-8-17 | | | | |
| | PRODUCT SPEC | - | | NAME | BACKSHELL,STRAIGHT,SHIELD BAND TERMINATION SHRINK BOOT ACCOMMODATION,CAT 3B | | |
| | APPLICATION SPEC | - | | SIZE | CAGE CODE | DRAWING NO | RESTRICTED TO |
| 0 PLC ± - | WEIGHT | 0 | A4 | 06090 | C-R85049/82 | - | |
| 1 PLC ± - | CUSTOMER DRAWING | | | | | | |
| 2 PLC ± .01 | SCALE | | | NTS | SHEET | | 1 OF 3 |
| 3 PLC ± .005 | REV | | | C | | | |
| 4 PLC ± - | | | | | | | |
| ANGLES ± - | | | | | | | |



REVISIONS

| P | LTR | DESCRIPTION | DATE | DWN | APVD |
|---|-----|-------------|------|-----|------|
| - | - | SEE SHEET 1 | - | - | - |



PART NUMBERING

M85049/82 - 14 W 02

- SPECIFICATION SHEET _____
- CONFIGURATION: _____
 - (DASH) DETENTED SELF-LOCKING
- ORDER NO. _____
- FINISH _____
- ENTRY SIZE _____

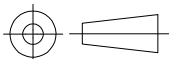
RELEASED FOR PUBLICATION

ALL RIGHTS RESERVED.

THIS DRAWING IS UNPUBLISHED.

© COPYRIGHT - TE Connectivity

| | | | | | | | |
|--|-------------------|-----------|---|-----------|-------------|---------------|------|
| DIMENSIONS: INCHES | DWN C.C.THOMAS | 08MAY2017 | MATERIAL | - | FINISH | - | |
| | CHK E.HALEY | 5-8-17 | TE Connectivity | | | | |
| TOLERANCES UNLESS OTHERWISE SPECIFIED: | APVD E.HALEY | 5-8-17 | | | | | |
| 0 PLC ± - | PRODUCT SPEC | - | NAME BACKSHELL, STRAIGHT, SHIELD BAND TERMINATION | | | | |
| 1 PLC ± - | APPLICATION SPEC | - | | | | | |
| 2 PLC ± .01 | WEIGHT | - | SIZE | CAGE CODE | DRAWING NO | RESTRICTED TO | |
| 3 PLC ± .005 | | | A4 | 00779 | Ⓒ R85049/82 | - | |
| 4 PLC ± - | | | CUSTOMER DRAWING | | | SCALE | NTS |
| ANGLES ± - | | | SHEET | | | 2 | OF 3 |
| | | | REV | | | C | |



REVISIONS

| P | LTR | DESCRIPTION | DATE | DWN | APVD |
|---|-----|-------------|------|-----|------|
| | - | SEE SHEET 1 | - | - | - |


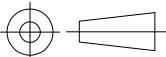
| ORDER NUMBER | FOR CONNECTOR SHELL SIZE (REF) | | | | TABLE I - SHELL SIZE AND DIMENSIONS | | | | |
|--------------|--------------------------------|-------------------------------|--------------------------|---------------------------------|-------------------------------------|------------------------|---------------|---------------|---------------|
| | SAE- AS81703 SERIES 3 | MIL-DTL- 26482 SERIES 2 | SAE- AS50151 CRIMP | MIL-DTL- 83723 SERIES III | A MAX DIA | B DIA ±.010 ENTRY SIZE | | C DIA REF | |
| | | | | | | 02 | 03 | 02 | 03 |
| 8 | -- | 8 | 8S | 8 | .885 (22.48) | N/A | .250 (6.35) | N/A | .395 (10.03) |
| 10 | -- | 10 | 10S, 10SL | 10 | 1.010 (25.65) | N/A | .312 (7.92) | N/A | .457 (11.61) |
| 12 | 7 | 12 | 12S AND 12 | 12 | 1.135 (28.83) | .312 (7.92) | .438 (11.13) | .457 (11.60) | .583 (14.81) |
| 14 | 12 | 14 | 14S AND 14 | 14 | 1.260 (32.00) | .438 (11.13) | .562 (14.27) | .583 (14.81) | .707 (17.96) |
| 16 | 19 | 16 | 16S AND 16 | 16 | 1.385 (35.18) | .500 (12.70) | .625 (15.88) | .645 (16.38) | .770 (19.56) |
| 18 | 27 | 18 | 18 | 18 | 1.510 (38.35) | .625 (15.88) | .750 (19.05) | .770 (19.56) | .895 (22.73) |
| 20 | 37 | 20 | 20 | 20 | 1.635 (41.53) | .625 (15.88) | .812 (20.62) | .770 (19.56) | .957 (24.31) |
| 22 | -- | 22 | 22 | 22 | 1.760 (44.70) | .688 (17.48) | .938 (23.83) | .829 (21.06) | 1.083 (27.51) |
| 24 | -- | 24 | 24 | 24 | 1.885 (47.88) | .750 (19.05) | 1.000 (25.40) | .895 (22.73) | 1.145 (29.08) |
| 28 | -- | -- | 28 | -- | 2.135 (54.23) | .875 (22.23) | 1.125 (28.58) | 1.020 (25.91) | 1.270 (32.26) |

RELEASED FOR PUBLICATION

ALL RIGHTS RESERVED.

© COPYRIGHT - TE Connectivity

THIS DRAWING IS UNPUBLISHED.

| | | | | | | |
|---|-------------------|-----------|--|-------------|-----------|---------------|
| DIMENSIONS: INCHES | DWN C.C.THOMAS | 08MAY2017 | MATERIAL | - | FINISH | - |
| | CHK E.HALEY | 5-8-17 |  TE Connectivity | | | |
| TOLERANCES UNLESS OTHERWISE SPECIFIED: | APVD E.HALEY | 5-8-17 | | | | |
| 0 PLC ± - | PRODUCT SPEC | - | NAME BACKSHELL, STRAIGHT, SHIELD BAND TERMINATION | | | |
| 1 PLC ± - | APPLICATION SPEC | - | | | | |
| 2 PLC ± .01 | WEIGHT | - | SIZE | A4 | CAGE CODE | 00779 |
| 3 PLC ± .005 | | | DRAWING NO | C-R85049/82 | | RESTRICTED TO |
| 4 PLC ± - | | | | | | - |
| ANGLES ± - | | | | | | |
|  | | | CUSTOMER DRAWING | | SCALE | NTS |
| | | | SHEET | | 3 | OF 3 |
| | | | REV | | C | |



Компания «ЭлектроПласт» предлагает заключение долгосрочных отношений при поставках импортных электронных компонентов на взаимовыгодных условиях!

Наши преимущества:

- Оперативные поставки широкого спектра электронных компонентов отечественного и импортного производства напрямую от производителей и с крупнейших мировых складов;
- Поставка более 17-ти миллионов наименований электронных компонентов;
- Поставка сложных, дефицитных, либо снятых с производства позиций;
- Оперативные сроки поставки под заказ (от 5 рабочих дней);
- Экспресс доставка в любую точку России;
- Техническая поддержка проекта, помощь в подборе аналогов, поставка прототипов;
- Система менеджмента качества сертифицирована по Международному стандарту ISO 9001;
- Лицензия ФСБ на осуществление работ с использованием сведений, составляющих государственную тайну;
- Поставка специализированных компонентов (Xilinx, Altera, Analog Devices, Intersil, Interpoint, Microsemi, Aeroflex, Peregrine, Syfer, Eurofarad, Texas Instrument, Miteq, Cobham, E2V, MA-COM, Hittite, Mini-Circuits, General Dynamics и др.);

Помимо этого, одним из направлений компании «ЭлектроПласт» является направление «Источники питания». Мы предлагаем Вам помощь Конструкторского отдела:

- Подбор оптимального решения, техническое обоснование при выборе компонента;
- Подбор аналогов;
- Консультации по применению компонента;
- Поставка образцов и прототипов;
- Техническая поддержка проекта;
- Защита от снятия компонента с производства.



Как с нами связаться

Телефон: 8 (812) 309 58 32 (многоканальный)

Факс: 8 (812) 320-02-42

Электронная почта: org@eplast1.ru

Адрес: 198099, г. Санкт-Петербург, ул. Калинина, дом 2, корпус 4, литера А.