

Motor Drivers for Printers

Motor Drivers with Brush for Printers



BD63821EFV, BD63823EFV

No.12010EAT06

●Description

BD63821EFV/BD63823EFV series are built-in 2 channel H-bridge circuits that can drive 2pcs DC brush motor or 1pcs stepping motor.

These drivers facilitate low power consumption by the direct PWM or PWM constant current control.

●Feature

- 1) Single power supply input (rated voltage of 36V)
- 2) Rated output current (peak): 1.0A(1.5A), 2.0A(2.8A)
- 3) Low ON resistance DMOS output
- 4) Forward, Reverse, Brake, Open
- 5) Power save function
- 6) External PWM control
- 7) PWM constant current control (current limit function)
- 8) Built-in spike noise cancel function (external noise filter is unnecessary)
- 9) Driver for 2 DC brush motor
- 10) Driver for 1 stepping motor
- 11) FULL STEP, HALF STEP (driving stepping motor)
- 12) μ STEP drive by external DAC (driving stepping motor)
- 13) Built-in logic input pull-down resistor
- 14) Cross-conduction prevention circuit
- 15) Signal output of detecting the motor lock state (Wired-OR)
- 16) Signal output of detecting the abnormal states (Wired-OR)
- 17) Thermal shutdown circuit (TSD)
- 18) Over current protection circuit (OCP)
- 19) Under voltage lock out circuit (UVLO)
- 20) Over voltage lock out circuit (OVLO)
- 21) Ghost Supply Prevention (protects against malfunction when power supply is disconnected)
- 22) Electrostatic discharge: 8kV (HBM specification)
- 23) Adjacent pins short protection
- 24) Inverted mounting protection
- 25) Microminiature, ultra-thin and high heat-radiation (exposed metal type) HTSSOP-B28 package
- 26) Pin-compatible line-up

●Application

PPC, multi-function printer, laser beam printer, ink jet printer, monitoring camera, WEB camera, sewing machine, photo printer, FAX, scanner, mini printer, toy, and robot etc.

● Absolute maximum ratings (Ta=25°C)

| Item | Symbol | BD63823 | BD63821 | Unit |
|-------------------------------------|----------------------|--------------------|-------------------|------|
| Supply voltage | V _{CC1,2} | -0.3~+36.0 | | V |
| Power dissipation | Pd | 1.45 ^{※1} | | W |
| | | 4.70 ^{※2} | | W |
| Input voltage for control pin | V _{IN} | -0.3~+7.0 | | V |
| RNF maximum voltage | V _{RNF} | 0.7 | | V |
| Output current | I _{OUT} | 2.0 ^{※3} | 1.0 ^{※3} | A/ch |
| Output current (peak) ^{※4} | I _{OUTPEAK} | 2.8 ^{※3} | 1.5 ^{※3} | A/ch |
| FAULT, LOCK voltage | V _{FAULT} | -0.3~7.0 | | V |
| FAULT, LOCK current | I _{FAULT} | 5 | | mA |
| Operating temperature range | T _{opr} | -25~+85 | | °C |
| Storage temperature range | T _{stg} | -55~+150 | | °C |
| Junction temperature | T _{jmax} | +150 | | °C |

※1 70mmx70mmx1.6mm glass epoxy board. Derating is done at 11.6mW/°C for operating above Ta=25°C.

※2 4-layer recommended board. Derating is done at 37.6mW/°C for operating above Ta=25°C.

※3 Do not, however exceed Pd, ASO and T_{jmax}=150°C.

※4 Pulse width tw ≤ 20ms

● Operating conditions (Ta= -25~+85°C)

| Item | Symbol | Min. | Typ. | Max. | Unit |
|-------------------------------|--------------------|------|------|------|------|
| Supply voltage | V _{CC1,2} | 19 | 24 | 28 | V |
| Input voltage for control pin | V _{IN} | 0 | - | 5.5 | V |
| PWM input frequency | F _{IN} | - | - | 100 | kHz |

● Electrical characteristics (Unless otherwise specified Ta=25°C, V_{CC1,2}=24V)

| Item | Symbol | Limit | | | Unit | Condition |
|---|-------------------------|-------|------|------|------|--|
| | | Min. | Typ. | Max. | | |
| Whole | | | | | | |
| Circuit current at standby | I _{CCST} | - | 1.0 | 2.5 | mA | PS=0V |
| Circuit current | I _{CC} | - | 2.5 | 5.0 | mA | PS=IN1A=IN1B=5V |
| Control input (IN1A, IN1B, IN2A, IN2B, PS) | | | | | | |
| H level input voltage | V _{INH} | 2.0 | - | - | V | |
| L level input voltage | V _{INL} | - | - | 0.8 | V | |
| H level input current | I _{INH} | 35 | 50 | 100 | μA | V _{IN} =5V |
| L level input current | I _{INL} | -10 | 0 | - | μA | V _{IN} =0V |
| FAULT LOCK output (FAULT, LOCK) | | | | | | |
| Output low voltage | V _{FAULT} | - | 50 | 100 | mV | I _{FAULT} =1mA |
| Output leak current | I _{FAULT_LEAK} | - | - | 10 | μA | V _{FAULT} =5V |
| Output (OUT1A, OUT1B, OUT2A, OUT2B) | | | | | | |
| Output on resistance (BD63823EFV) | R _{ON} | - | 0.65 | 0.90 | Ω | I _{OUT} =1.5A, sum of upper and lower |
| Output on resistance (BD63821EFV) | R _{ON} | - | 1.90 | 2.50 | Ω | I _{OUT} =0.5A, sum of upper and lower |
| Output leak current | I _{LEAK} | - | - | 10 | μA | |
| Current control | | | | | | |
| RNFXS input current | I _{RNFS} | -2.0 | -0.1 | - | μA | RNFXS=0V |
| RNFX input current | I _{RNF} | -40 | -20 | - | μA | RNFX=0V |
| VREF input current | I _{VREF} | -2.0 | -0.1 | - | μA | VREFX=0V |
| VREF input voltage range | V _{REF} | 0 | - | 3.0 | V | |
| Minimum on time (Blank time) | t _{ONMIN} | 0.7 | 1.5 | 3.0 | μs | |
| Current limit Comparator threshold | V _{CTH} | 0.57 | 0.60 | 0.63 | V | VREFX=3V |

●Terminal function and Application circuit diagram

| Pin No. | Pin name | Function | Pin No. | Pin name | Function |
|---------|----------|---|---------|----------|---|
| 1 | GND | Ground terminal | 15 | LOCK | Motor lock signal output terminal |
| 2 | OUT1B | H bridge output terminal | 16 | IN1A | H bridge control terminal |
| 3 | RNF1 | Connection terminal of resistor For output current detection | 17 | IN1B | H bridge control terminal |
| 4 | RNF1S | Input terminal of current limit comparator | 18 | TEST | Terminal for testing |
| 5 | OUT1A | H bridge output terminal | 19 | IN2A | H bridge control terminal |
| 6 | NC | Non connection | 20 | IN2B | H bridge control terminal |
| 7 | VCC1 | Power supply terminal | 21 | NC | Non connection |
| 8 | NC | Non connection | 22 | VCC2 | Power supply terminal |
| 9 | GND | Ground terminal | 23 | NC | Non connection |
| 10 | CR | Connection terminal of CR for setting chopping frequency | 24 | OUT2A | H bridge output terminal |
| 11 | VREF1 | Current limit value setting terminal | 25 | RNF2S | Input terminal of current limit comparator |
| 12 | VREF2 | Current limit value setting terminal | 26 | RNF2 | Connection terminal of resistor for output current detection |
| 13 | PS | Power save terminal | 27 | OUT2B | H bridge output terminal |
| 14 | FAULT | Fault signal output terminal | 28 | NC | Non connection |

●Application circuit diagram

Constant voltage control or external PWM control (when not using the motor lock detection function)

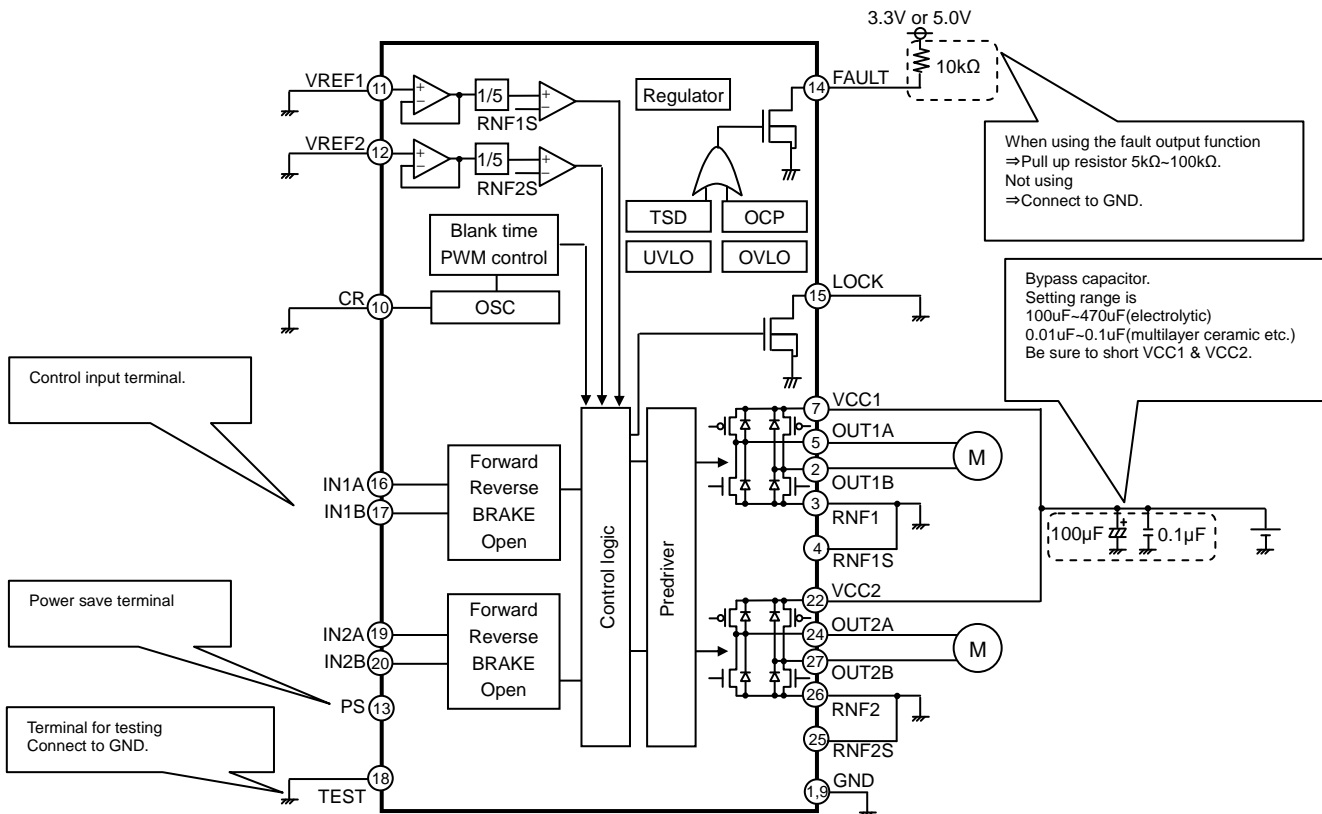


Fig.1 Application circuit diagram of constant voltage control or external PWM control (When not using the motor lock detection function)

●Points to notice for terminal description

○PS/ Power save terminal

PS can make circuit standby state and make motor output open

Please be careful of delay 40μs(max.) before it is returned from off state to normal state.

| PS | State |
|----|----------------------|
| L | POWER SAVE (STANDBY) |
| H | ACTIVE |

○IN1A, I N1B, IN2A, IN2B/ H bridge control terminal

| PS | Input | | Output | | State |
|----|--------------|--------------|----------------|----------------|----------------------|
| | IN1A IN2A | IN1B IN2B | OUT1A OUT2A | OUT1B OUT2B | |
| L | X | X | OPEN | OPEN | POWER SAVE (STANDBY) |
| H | L | L | OPEN | OPEN | STOP |
| H | H | L | H | L | FORWARD |
| H | L | H | L | H | REVERSE |
| H | H | H | L | L | BRAKE |

X: H or L

●Protection Circuits

○Thermal Shutdown (TSD)

This IC has a built-in thermal shutdown circuit for thermal protection. When the IC's chip temperature rises above 175° C (Typ.), the motor output becomes open. Also, when the temperature returns to under 150° C (Typ.), it automatically returns to normal operation. However, even when TSD is in operation, if heat is continued to be added externally, heat overdrive can lead to destruction.

○Over Current Protection (OCP)

This IC has a built in over current protection circuit as a provision against destruction when the motor outputs are shorted each other or VCC-motor output or motor output-GND is shorted. This circuit latches the motor output to open condition when the regulated threshold current flows for 4μs (typ.). It returns with power reactivation or a reset of the PS terminal. The over current protection circuit's only aim is to prevent the destruction of the IC from irregular situations such as motor output shorts, and is not meant to be used as protection or security for the set. Therefore, sets should not be designed to take into account this circuit's functions. After OCP operating, if irregular situations continues and the return by power reactivation or a reset of the PS terminal is carried out repeatedly, then OCP operates repeatedly and the IC may generate heat or otherwise deteriorate. When the L value of the wiring is great due to the wiring being long, after the over current has flowed and the output terminal voltage jumps up and the absolute maximum values may be exceeded and as a result, there is a possibility of destruction. Also, when current which is over the output current rating and under the OCP detection current flows, the IC can heat up to over $T_{jmax}=150^{\circ}$ C and can deteriorate, so current which exceeds the output rating should not be applied.

○Under Voltage Lock Out (UVLO)

This IC has a built-in under voltage lock out function to prevent false operation such as IC output during power supply under voltage. When the applied voltage to the VCC terminal goes under 15V (Typ.), the motor output is set to open. This switching voltage has a 1V (Typ.) hysteresis to prevent false operation by noise etc. Please be aware that this circuit does not operate during power save mode.

○Over Voltage Lock Out (OVLO)

This IC has a built-in over voltage lock out function to protect the IC output and the motor during power supply over voltage. When the applied voltage to the VCC terminal goes over 32V (Typ.), the motor output is set to OPEN. This switching voltage has a 1V (Typ.) hysteresis and a 4μs (Typ.) mask time to prevent false operation by noise etc. Although this over voltage locked out circuit is built-in, there is a possibility of destruction if the absolute maximum value for power supply voltage is exceeded, therefore the absolute maximum value should not be exceeded. Please be aware that this circuit does not operate during power save mode.

○Ghost Supply Prevention (protects against malfunction when power supply is disconnected)

If a signal (IN1A, IN1B, IN2A, IN2B, PS, VREF1, VREF2) is input when there is no power supplied to this IC, there is a function which prevents the false operation by voltage supplied via the electrostatic destruction prevention diode from these input terminals to the VCC to this IC or to another IC's power supply. Therefore, there is no malfunction of the circuit even when voltage is supplied to these input terminals while there is no power supply.

● Thermal derating curve

HTSSOP-B28 has exposed metal on the back, and it is possible to dissipate heat from a through hole in the back. Also, the back of board as well as the surfaces has large areas of copper foil heat dissipation patterns, greatly increasing power dissipation. The back metal is shorted with the back side of the IC chip, being a GND potential, therefore there is a possibility for malfunction if it is shorted with any potential other than GND, which should be avoided. Also, it is recommended that the back metal is soldered onto the GND to short. Please note that it has been assumed that this product will be used in the condition of this back metal performed heat dissipation treatment for increasing heat dissipation efficiency.

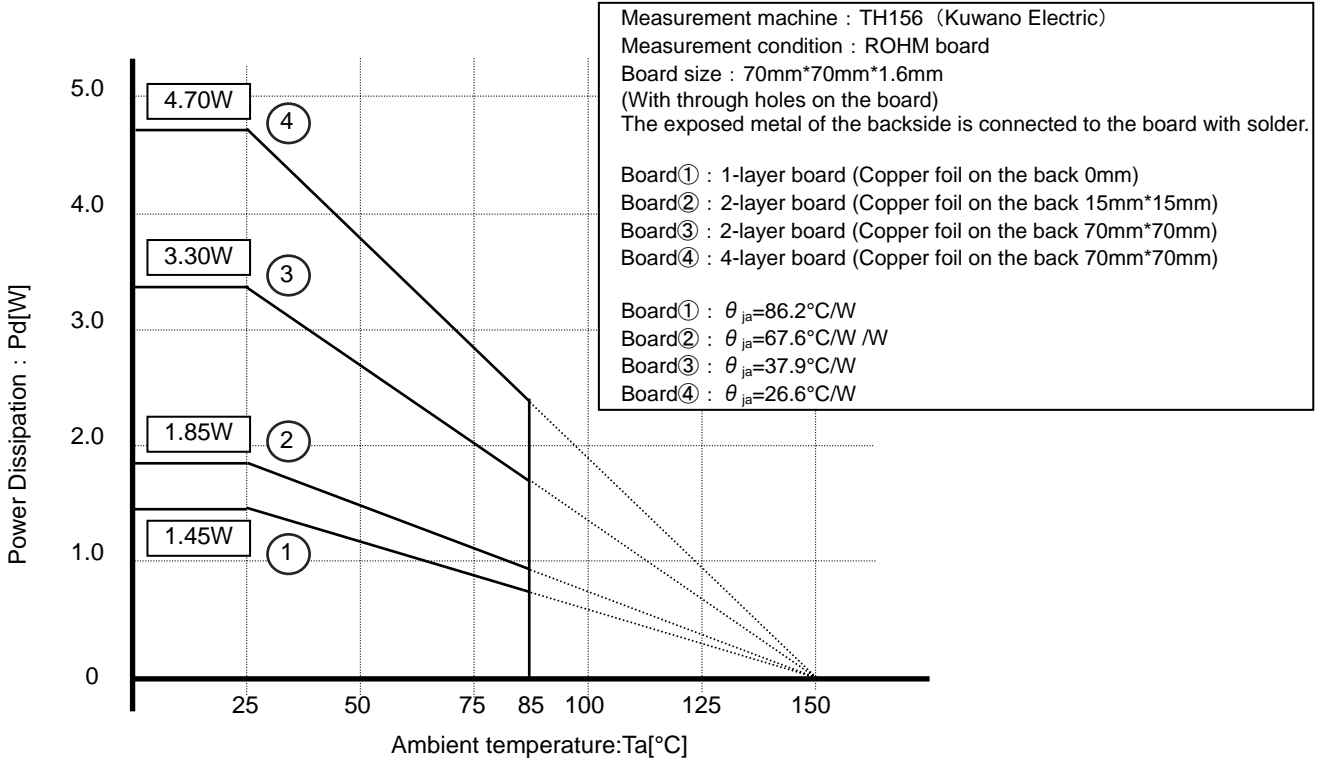


Fig. 2 HTSSOP-B28 Thermal derating curve

●Operation Notes

(1) Absolute maximum ratings

An excess in the absolute maximum ratings, such as supply voltage, temperature range of operating conditions, etc., can break down the devices, thus making impossible to identify breaking mode, such as a short circuit or an open circuit. If any over rated values will expect to exceed the absolute maximum ratings, consider adding circuit protection devices, such as fuses.

(2) Connecting the power supply connector backward

Connecting of the power supply in reverse polarity can damage IC. Take precautions when connecting the power supply lines. An external direction diode can be added.

(3) Power supply lines

As return of current regenerated by back EMF of FET output happens, take steps such as putting capacitor between power supply and GND as an electric pathway for the regenerated current. Be sure that there is no problem with each property such as emptied capacity at lower temperature regarding electrolytic capacitor to decide capacity value. If the connected power supply does not have sufficient current absorption capacity, regenerative current will cause the voltage on the power supply line to rise, which combined with the product and its peripheral circuitry may exceed the absolute maximum ratings. It is recommended to implement a physical safety measure such as the insertion of a voltage clamp diode between the power supply and GND pins.

(4) GND potential

The potential of GND pin must be minimum potential in all operating conditions.

(5) Metal on the backside (Define the side where product markings are printed as front)

The metal on the backside is shorted with the backside of IC chip therefore it should be connected to GND. Be aware that there is a possibility of malfunction or destruction if it is shorted with any potential other than GND.

(6) Thermal design

Use a thermal design that allows for a sufficient margin in light of the power dissipation (Pd) in actual operating conditions. This IC exposes the metal on the backside of package. Note that this part is assumed to use after providing heat dissipation treatment to improve heat dissipation efficiency. Try to occupy as wide as possible with heat dissipation pattern not only on the board surface but also the backside.

(7) Inter-pin shorts and mounting errors

When attaching to a printed circuit board, pay close attention to the direction of the IC and displacement. Improper attachment may lead to destruction of the IC. There is also possibility of destruction from short circuits which can be caused by foreign matter entering between outputs or an output and the power supply or GND.

(8) Operation in strong electromagnetic field

Use caution when using the IC in the presence of a strong electromagnetic field as doing so may cause the IC to malfunction.

(9) ASO

When using the IC, set the output transistor so that it does not exceed absolute maximum ratings or ASO.

(10) Thermal shutdown circuit

The IC has a built-in thermal shutdown circuit (TSD circuit). If the chip temperature becomes $T_{jmax}=150^{\circ}\text{C}$, and higher, coil output to the motor will be open. The TSD circuit is designed only to shut the IC off to prevent runaway thermal operation. It is not designed to protect or indemnify peripheral equipment. Do not use the TSD function to protect peripheral equipment.

| TSD on temperature [$^{\circ}\text{C}$] (typ.) | Hysteresis temperature [$^{\circ}\text{C}$] (typ.) |
|--|--|
| 175 | 25 |

(11) Over current protection circuit

The IC has a built-in over current protection circuit (OCP circuit). The OCP circuit is designed only to shut the IC off to prevent abnormal situations, when absolute maximum output current is exceeded. It is not designed to protect or indemnify peripheral equipment. Do not use the OCP function to protect peripheral equipment.

(12) Inspection of the application board

During inspection of the application board, if a capacitor is connected to a pin with low impedance there is a possibility that it could cause stress to the IC, therefore an electrical discharge should be performed after each process. Also, as a measure against electrostatic discharge, it should be earthed during the assembly process and special care should be taken during transport or storage. Furthermore, when connecting to the jig during the inspection process, the power supply should first be turned off and then removed before the inspection.

(13) Input terminal of IC

This IC is a monolithic IC, and between each element there is a P+ isolation for element partition and a P substrate.

This P layer and each element's N layer make up the P-N junction, and various parasitic elements are made up.

For example, when the resistance and transistor are connected to the terminal as shown in figure 3,

○When $GND > (\text{Terminal A})$ at the resistance and $GND > (\text{Terminal B})$ at the transistor (NPN), the P-N junction operates as a parasitic diode.

○Also, when $GND > (\text{Terminal B})$ at the transistor (NPN)

The parasitic NPN transistor operates with the N layers of other elements close to the aforementioned parasitic diode.

Because of the IC's structure, the creation of parasitic elements is inevitable from the electrical potential relationship. The operation of parasitic elements causes interference in circuit operation, and can lead to malfunction and destruction. Therefore, be careful not to use it in a way which causes the parasitic elements to operate, such as by applying voltage that is lower than the GND (P substrate) to the input terminal.

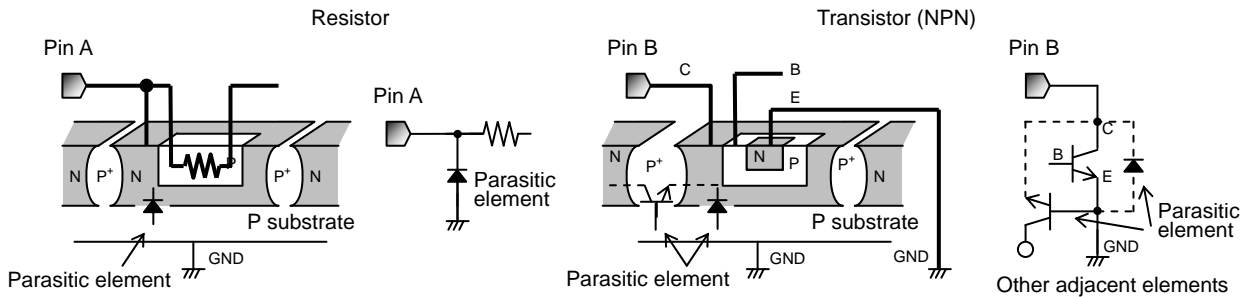


Fig. 3 Pattern diagram of parasitic element

(14) Ground Wiring Pattern

When using both large current and small signal GND patterns, it is recommended to isolate the two ground patterns, placing a single ground point at the ground potential of application so that the pattern wiring resistance and voltage variations caused by large currents do not cause variations in the small signal ground voltage. Be careful not to change the GND wiring pattern of any external components, either.

(15) TEST pin

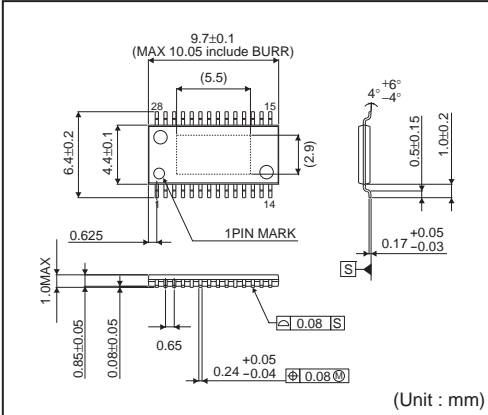
Be sure to connect TEST pin to GND.

●Ordering part number

B D 6 3 8 2 1 E F V - E 2

| | | |
|----|-------------------------|----------------------------------|
| 形名 | パッケージ EFV=HTSSOP-B28 | 包装、フォーミング仕様 E2: リール状エンボステーピング |
|----|-------------------------|----------------------------------|

HTSSOP-B28



<Tape and Reel information>

| | |
|-------------------|---|
| Tape | Embossed carrier tape (with dry pack) |
| Quantity | 2500pcs |
| Direction of feed | E2 (The direction is the 1pin of product is at the upper left when you hold reel on the left hand and you pull out the tape on the right hand) |

1pin
*Order quantity needs to be multiple of the minimum quantity.

Notice

Precaution on using ROHM Products

- Our Products are designed and manufactured for application in ordinary electronic equipments (such as AV equipment, OA equipment, telecommunication equipment, home electronic appliances, amusement equipment, etc.). If you intend to use our Products in devices requiring extremely high reliability (such as medical equipment ^(Note 1), transport equipment, traffic equipment, aircraft/spacecraft, nuclear power controllers, fuel controllers, car equipment including car accessories, safety devices, etc.) and whose malfunction or failure may cause loss of human life, bodily injury or serious damage to property ("Specific Applications"), please consult with the ROHM sales representative in advance. Unless otherwise agreed in writing by ROHM in advance, ROHM shall not be in any way responsible or liable for any damages, expenses or losses incurred by you or third parties arising from the use of any ROHM's Products for Specific Applications.

(Note1) Medical Equipment Classification of the Specific Applications

| JAPAN | USA | EU | CHINA |
|-----------|-----------|------------|-----------|
| CLASS III | CLASS III | CLASS II b | CLASS III |
| CLASS IV | | CLASS III | |

- ROHM designs and manufactures its Products subject to strict quality control system. However, semiconductor products can fail or malfunction at a certain rate. Please be sure to implement, at your own responsibilities, adequate safety measures including but not limited to fail-safe design against the physical injury, damage to any property, which a failure or malfunction of our Products may cause. The following are examples of safety measures:
 - Installation of protection circuits or other protective devices to improve system safety
 - Installation of redundant circuits to reduce the impact of single or multiple circuit failure
- Our Products are designed and manufactured for use under standard conditions and not under any special or extraordinary environments or conditions, as exemplified below. Accordingly, ROHM shall not be in any way responsible or liable for any damages, expenses or losses arising from the use of any ROHM's Products under any special or extraordinary environments or conditions. If you intend to use our Products under any special or extraordinary environments or conditions (as exemplified below), your independent verification and confirmation of product performance, reliability, etc. prior to use, must be necessary:
 - Use of our Products in any types of liquid, including water, oils, chemicals, and organic solvents
 - Use of our Products outdoors or in places where the Products are exposed to direct sunlight or dust
 - Use of our Products in places where the Products are exposed to sea wind or corrosive gases, including Cl₂, H₂S, NH₃, SO₂, and NO₂
 - Use of our Products in places where the Products are exposed to static electricity or electromagnetic waves
 - Use of our Products in proximity to heat-producing components, plastic cords, or other flammable items
 - Sealing or coating our Products with resin or other coating materials
 - Use of our Products without cleaning residue of flux (even if you use no-clean type fluxes, cleaning residue of flux is recommended); or Washing our Products by using water or water-soluble cleaning agents for cleaning residue after soldering
 - Use of the Products in places subject to dew condensation
- The Products are not subject to radiation-proof design.
- Please verify and confirm characteristics of the final or mounted products in using the Products.
- In particular, if a transient load (a large amount of load applied in a short period of time, such as pulse. is applied, confirmation of performance characteristics after on-board mounting is strongly recommended. Avoid applying power exceeding normal rated power; exceeding the power rating under steady-state loading condition may negatively affect product performance and reliability.
- De-rate Power Dissipation (Pd) depending on Ambient temperature (Ta). When used in sealed area, confirm the actual ambient temperature.
- Confirm that operation temperature is within the specified range described in the product specification.
- ROHM shall not be in any way responsible or liable for failure induced under deviant condition from what is defined in this document.

Precaution for Mounting / Circuit board design

- When a highly active halogenous (chlorine, bromine, etc.) flux is used, the residue of flux may negatively affect product performance and reliability.
- In principle, the reflow soldering method must be used; if flow soldering method is preferred, please consult with the ROHM representative in advance.

For details, please refer to ROHM Mounting specification

Precautions Regarding Application Examples and External Circuits

1. If change is made to the constant of an external circuit, please allow a sufficient margin considering variations of the characteristics of the Products and external components, including transient characteristics, as well as static characteristics.
2. You agree that application notes, reference designs, and associated data and information contained in this document are presented only as guidance for Products use. Therefore, in case you use such information, you are solely responsible for it and you must exercise your own independent verification and judgment in the use of such information contained in this document. ROHM shall not be in any way responsible or liable for any damages, expenses or losses incurred by you or third parties arising from the use of such information.

Precaution for Electrostatic

This Product is electrostatic sensitive product, which may be damaged due to electrostatic discharge. Please take proper caution in your manufacturing process and storage so that voltage exceeding the Products maximum rating will not be applied to Products. Please take special care under dry condition (e.g. Grounding of human body / equipment / solder iron, isolation from charged objects, setting of ionizer, friction prevention and temperature / humidity control).

Precaution for Storage / Transportation

1. Product performance and soldered connections may deteriorate if the Products are stored in the places where:
 - [a] the Products are exposed to sea winds or corrosive gases, including Cl₂, H₂S, NH₃, SO₂, and NO₂
 - [b] the temperature or humidity exceeds those recommended by ROHM
 - [c] the Products are exposed to direct sunshine or condensation
 - [d] the Products are exposed to high Electrostatic
2. Even under ROHM recommended storage condition, solderability of products out of recommended storage time period may be degraded. It is strongly recommended to confirm solderability before using Products of which storage time is exceeding the recommended storage time period.
3. Store / transport cartons in the correct direction, which is indicated on a carton with a symbol. Otherwise bent leads may occur due to excessive stress applied when dropping of a carton.
4. Use Products within the specified time after opening a humidity barrier bag. Baking is required before using Products of which storage time is exceeding the recommended storage time period.

Precaution for Product Label

QR code printed on ROHM Products label is for ROHM's internal use only.

Precaution for Disposition

When disposing Products please dispose them properly using an authorized industry waste company.

Precaution for Foreign Exchange and Foreign Trade act

Since our Products might fall under controlled goods prescribed by the applicable foreign exchange and foreign trade act, please consult with ROHM representative in case of export.

Precaution Regarding Intellectual Property Rights

1. All information and data including but not limited to application example contained in this document is for reference only. ROHM does not warrant that foregoing information or data will not infringe any intellectual property rights or any other rights of any third party regarding such information or data. ROHM shall not be in any way responsible or liable for infringement of any intellectual property rights or other damages arising from use of such information or data.:
2. No license, expressly or implied, is granted hereby under any intellectual property rights or other rights of ROHM or any third parties with respect to the information contained in this document.

Other Precaution

1. This document may not be reprinted or reproduced, in whole or in part, without prior written consent of ROHM.
2. The Products may not be disassembled, converted, modified, reproduced or otherwise changed without prior written consent of ROHM.
3. In no event shall you use in any way whatsoever the Products and the related technical information contained in the Products or this document for any military purposes, including but not limited to, the development of mass-destruction weapons.
4. The proper names of companies or products described in this document are trademarks or registered trademarks of ROHM, its affiliated companies or third parties.

General Precaution

1. Before you use our Products, you are requested to carefully read this document and fully understand its contents. ROHM shall not be in any way responsible or liable for failure, malfunction or accident arising from the use of any ROHM's Products against warning, caution or note contained in this document.
2. All information contained in this document is current as of the issuing date and subject to change without any prior notice. Before purchasing or using ROHM's Products, please confirm the latest information with a ROHM sales representative.
3. The information contained in this document is provided on an "as is" basis and ROHM does not warrant that all information contained in this document is accurate and/or error-free. ROHM shall not be in any way responsible or liable for any damages, expenses or losses incurred by you or third parties resulting from inaccuracy or errors of or concerning such information.

Mouser Electronics

Authorized Distributor

Click to View Pricing, Inventory, Delivery & Lifecycle Information:

[ROHM Semiconductor:](#)

[BD63821EFV-E2](#) [BD63823EFV-E2](#)



Компания «ЭлектроПласт» предлагает заключение долгосрочных отношений при поставках импортных электронных компонентов на взаимовыгодных условиях!

Наши преимущества:

- Оперативные поставки широкого спектра электронных компонентов отечественного и импортного производства напрямую от производителей и с крупнейших мировых складов;
- Поставка более 17-ти миллионов наименований электронных компонентов;
- Поставка сложных, дефицитных, либо снятых с производства позиций;
- Оперативные сроки поставки под заказ (от 5 рабочих дней);
- Экспресс доставка в любую точку России;
- Техническая поддержка проекта, помощь в подборе аналогов, поставка прототипов;
- Система менеджмента качества сертифицирована по Международному стандарту ISO 9001;
- Лицензия ФСБ на осуществление работ с использованием сведений, составляющих государственную тайну;
- Поставка специализированных компонентов (Xilinx, Altera, Analog Devices, Intersil, Interpoint, Microsemi, Aeroflex, Peregrine, Syfer, Eurofarad, Texas Instrument, Miteq, Cobham, E2V, MA-COM, Hittite, Mini-Circuits, General Dynamics и др.);

Помимо этого, одним из направлений компании «ЭлектроПласт» является направление «Источники питания». Мы предлагаем Вам помощь Конструкторского отдела:

- Подбор оптимального решения, техническое обоснование при выборе компонента;
- Подбор аналогов;
- Консультации по применению компонента;
- Поставка образцов и прототипов;
- Техническая поддержка проекта;
- Защита от снятия компонента с производства.



Как с нами связаться

Телефон: 8 (812) 309 58 32 (многоканальный)

Факс: 8 (812) 320-02-42

Электронная почта: org@eplast1.ru

Адрес: 198099, г. Санкт-Петербург, ул. Калинина, дом 2, корпус 4, литера А.