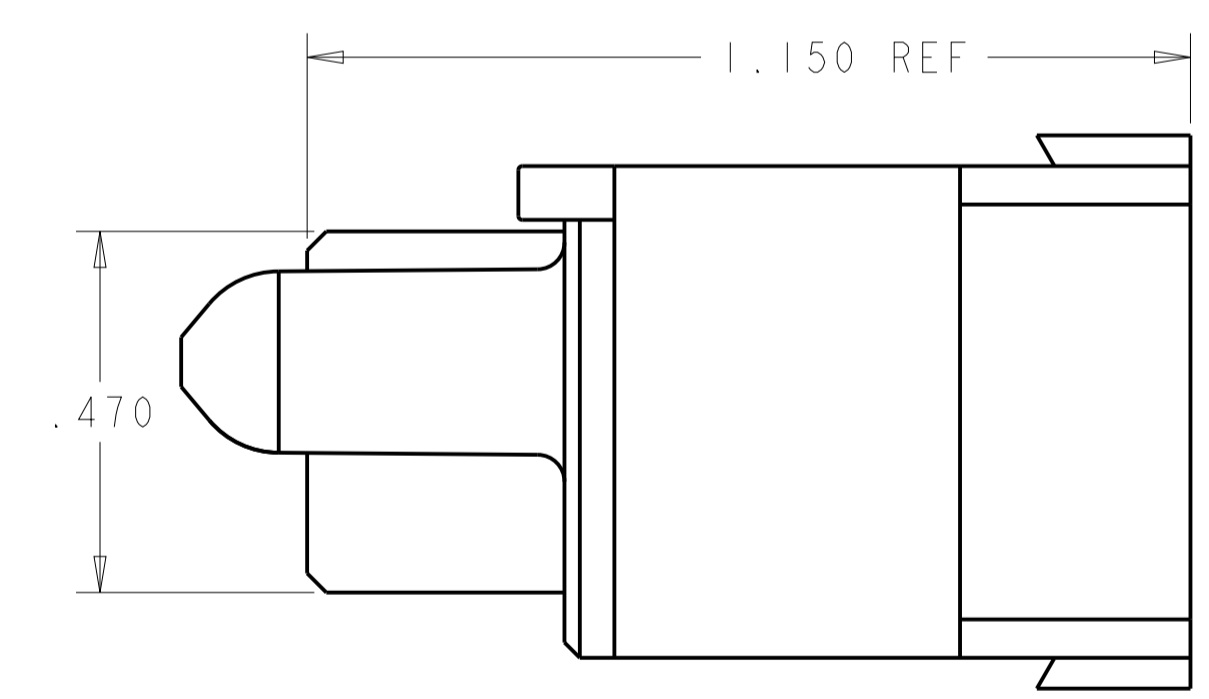
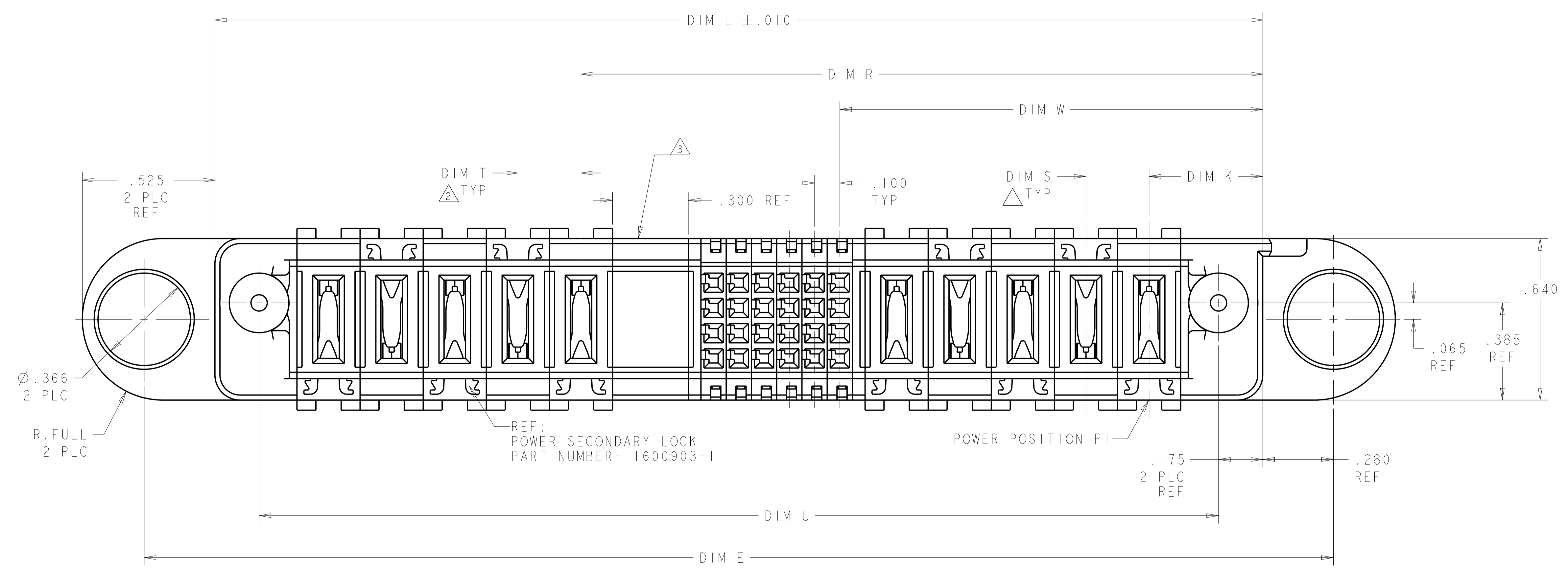
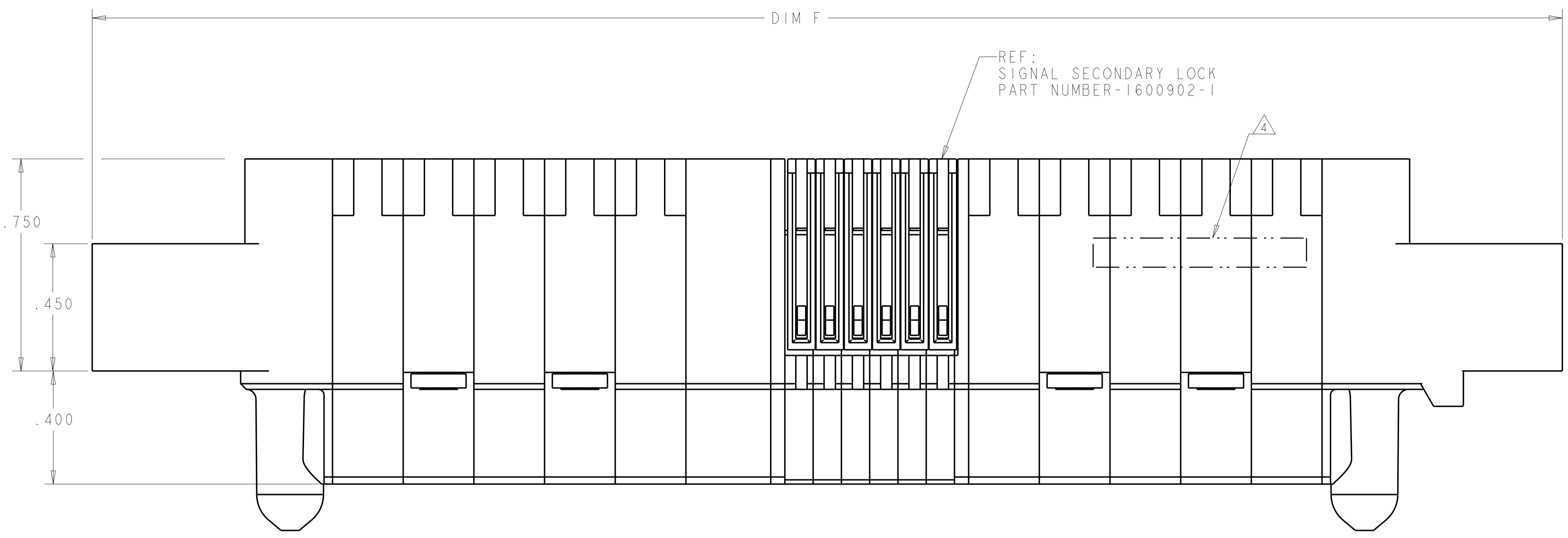
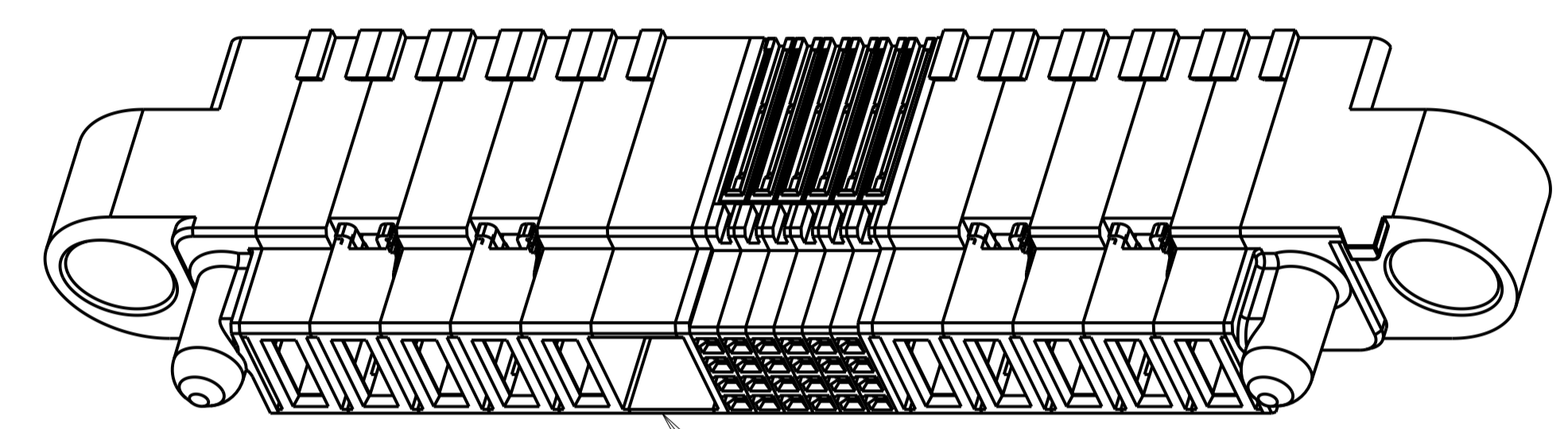
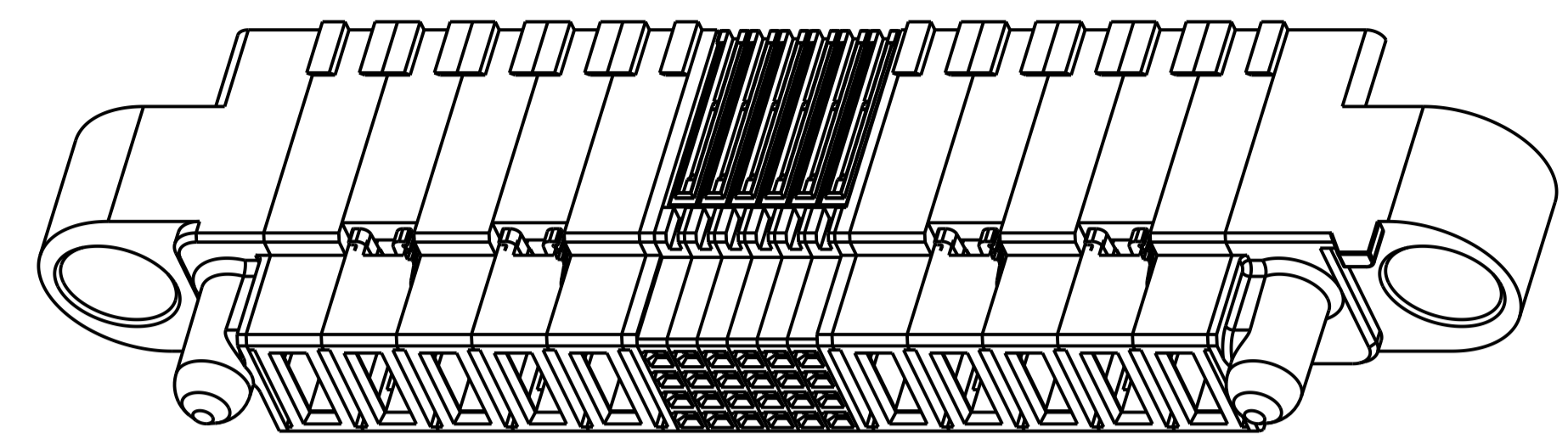
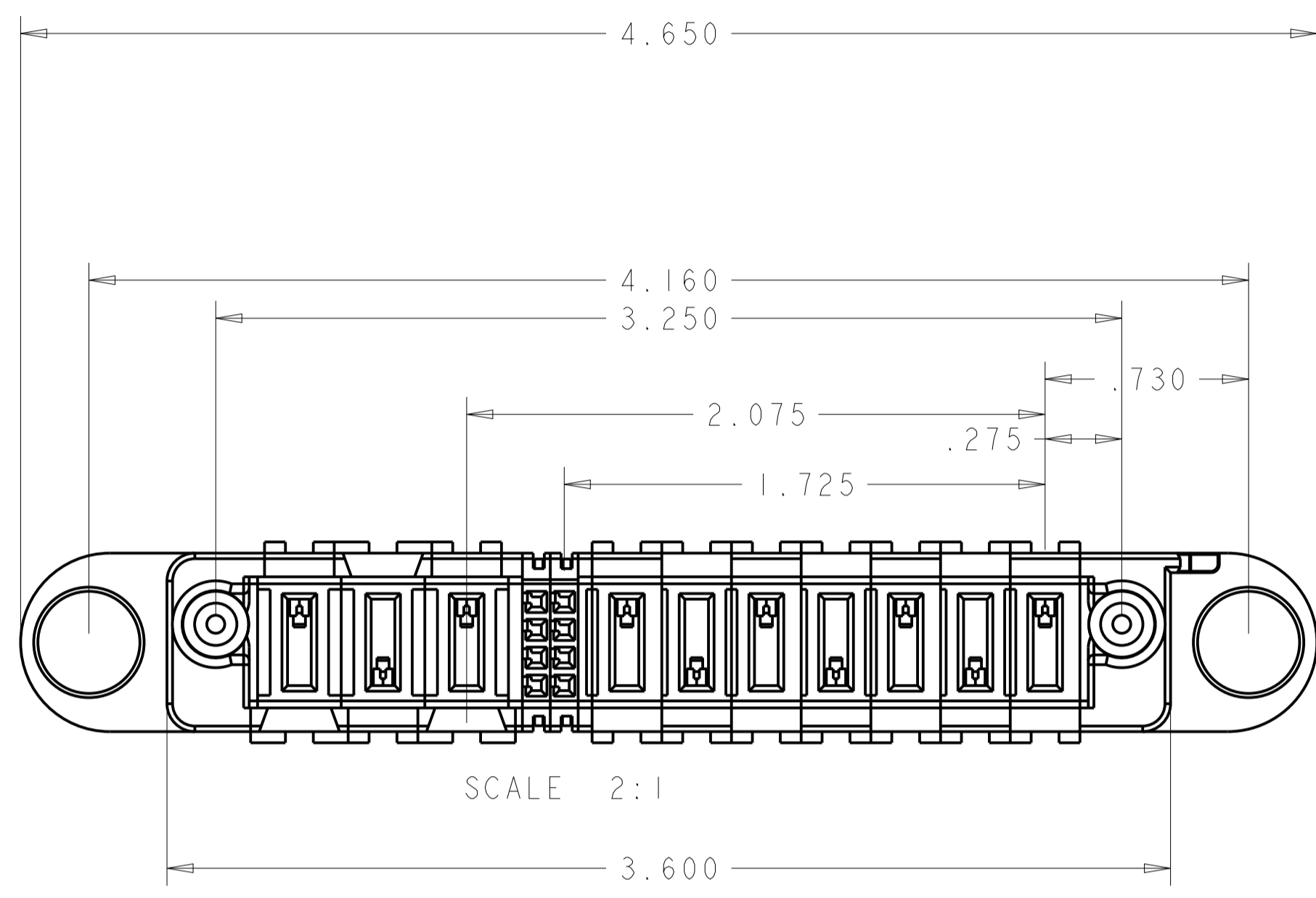


LOC	DIST	REVISIONS					
		P	LTH	DESCRIPTION	DATE	DWN	APVD
ES	00	L9		ADD NEW DASH NUMBER 3-7	02JUL2017	CZ	SZ



THIS DRAWING IS A CONTROLLED DOCUMENT.		DWN D. RINGLER 28JUL2003	TE Connectivity	
DIMENSIONS: INCHES		CHK M. CORRELL 29JUL2003	APVD	
TOLERANCES UNLESS OTHERWISE SPECIFIED:		NAME PANEL MOUNT CABLE RECEPTACLE HOUSING, WITH GUIDES, MULTI-BEAM XL		
0 PLC ±	1 PLC ±.01	PRODUCT SPEC 108-2157	SIZE A1	
2 PLC ±.005	3 PLC ±.005	APPLICATION SPEC	CAGE CODE DRAWING NO C=1600636	
4 PLC ±.0020	ANGLES ±.020	114-13112	RESTRICTED TO	
MATERIAL	FINISH	WEIGHT	SCALE 4:1 SHEET 1 OF 5 REV L9	
CUSTOMER DRAWING				



- 1 DIM S IS CENTERLINE SPACING OF POWER MODULES ON RIGHT SIDE OF HOUSING.
- 2 DIM T IS CENTERLINE SPACING OF POWER MODULES ON LEFT SIDE OF HOUSING.
- 3 OPTIONAL CENTER MODULE.
- 4 COMPANY TRADEMARK, PART NUMBER, AND DATE CODE TO BE MARKED IN AREA SHOWN PARTS UNDER 2.00 LONG MAY BE MARKED ON BOTH SIDES.
- 5 MATERIAL: THERMO PLASTIC, UL94 V-0.
- 6 DATUM LOCATIONS AND BASIC DIMENSIONS TO BE ESTABLISHED BY THE CUSTOMER.
- 7 BULKHEAD THICKNESS RANGE: .031 - .100
- 8 CONNECTOR MATED TO PANEL FROM OPPOSITE SIDE.
- 9 NO BURRS ALLOWED ON OPPOSITE (MATING) SIDE.
- 10 CONNECTOR KEEP OUT ZONE.
- 11 MOUNT CONNECTOR WITH TYCO HARDWARE KIT (SEE TABLE) FOR .050 [1.27mm] MIN RADIAL FLOAT.
- 12 VARIABLE DIMENSIONS SHOWN ON VIEW (SHEET 3).
- 13 NOT RELEASE FOR PRODUCTION
- 14. HARDWARE KIT P/N SOLD SEPARATELY

KIT P/N	CENTER MODULE	DIM W	DIM U	DIM T	DIM S	DIM R	DIM L	DIM K	DIM F	DIM E	DESCRIPTION	PART NUMBER
1600914-1	NO	.675	1.700	-	-	1.600	2.050	.450	3.100	2.610	1P + 32S + 1P	3-1600636-7
1600914-1	NO	.875	1.700	.250	.250	1.350	2.050	.450	3.100	2.610	2P + 16S + 2P	3-1600636-6
1600914-1	NO	.675	1.100	-	-	1.000	1.450	.450	2.500	2.010	1P + 8S + 1P	3-1600636-5
1600914-1	NO	1.325	3.000	.250	.300	1.650	3.350	.475	4.400	3.910	3ACP + 8S + 6P	3-1600636-4
1600000-1	NO	1.325	3.000	.300	.300	2.275	3.350	.475	4.400	3.910	3ACP + 32S + 3ACP	3-1600636-3
1600914-1	NO	1.725	3.250	.300	.250	2.075	3.600	.450	4.650	4.160	7P + 8S + 3ACP	2-1600636-9
1600914-1	NO	1.025	1.800	.300	.300	1.375	2.150	.475	3.200	2.710	2ACP + 8S + 2ACP	2-1600636-8
1600914-1	NO	1.325	3.250	.250	.300	1.650	3.600	.475	4.650	4.160	3ACP + 8S + 7P	2-1600636-7
1600000-1	NO	1.325	3.000	.300	.300	2.275	3.350	.475	4.400	3.910	3ACP + 32S + 3ACP	2-1600636-6
1600000-1	NO	1.025	2.200	.300	.300	1.775	2.550	.475	3.600	3.110	2ACP + 24S + 2ACP	2-1600636-5
1600914-1	NO	1.175	2.300	.250	.250	1.700	2.650	.450	3.700	3.210	3P + 16S + 3P	2-1600636-4
1600914-3	NO	2.225	4.800	.250	.300	2.950	5.150	.475	6.200	5.710	6ACP + 24S + 8P	2-1600636-3
1600914-1	NO	1.425	3.200	.250	.250	2.350	3.550	.450	4.600	4.110	4P + 32S + 4P	2-1600636-2
1600914-1	NO	1.925	3.400	.300	.250	2.675	3.750	.450	4.800	4.310	6P + 24S + 3ACP	2-1600636-1
1600914-1	NO	.725	2.500	-	-	2.375	2.850	.475	3.900	3.410	1P + 60S + 1P	2-1600636-0
1600914-1	NO	1.875	3.450	12	12	2.775	3.800	.425	4.850	4.380	6P + 32S + 3 ACP	1-1600636-8
1600914-1	NO	1.925	2.600	.250	.250	2.250	2.950	.450	4.000	3.510	6P + 8S + 2P	1-1600636-7
1600914-3	NO	2.175	5.100	.250	.250	3.500	5.450	.450	6.500	6.010	7P + 48S + 7P	1-1600636-6
1600914-1	NO	1.425	3.000	.250	.250	2.150	3.350	.450	4.400	3.910	4P + 24S + 4P	1-1600636-5
1600914-1	NO	1.325	2.800	.300	.300	2.075	3.150	.475	4.200	3.710	3ACP + 24S + 3ACP	1-1600636-4
1600914-1	NO	.675	1.300	-	-	1.200	1.650	.450	2.700	2.210	1P + 16S + 1P	1-1600636-3
1600914-1	NO	1.425	3.000	.250	.250	2.150	3.350	.450	4.400	3.910	4P + 24S + 4P	1-1600636-2
1600914-1	NO	.700	1.575	-	-	1.425	1.925	.475	2.975	2.485	1P + 24S + 1P	1-1600636-1
1600914-1	NO	.925	1.800	.250	.250	1.450	2.150	.450	3.200	2.710	2P + 16S + 2P	1-1600636-0
1600914-1	NO	.700	1.575	-	-	1.425	1.925	.475	2.975	2.485	1P + 24S + 1P	1600636-9
1600914-1	NO	1.175	2.300	.250	.250	1.700	2.650	.450	3.700	3.210	3P + 16S + 3P	1600636-8
1600914-1	NO	1.425	2.500	.250	.250	2.150	2.850	.450	3.900	3.410	4P + 24S + 2P	1600636-7
1600914-3	NO	1.625	5.200	.250	.300	2.350	5.550	.475	6.600	6.110	4ACP + 24S + 12P	1600636-6
1600914-1	NO	1.425	3.000	.250	.250	2.150	3.350	.450	4.400	3.910	4P + 24S + 4P	1600636-5
1600914-1	NO	.925	2.500	.250	.250	2.150	2.850	.450	3.900	3.410	2P + 44S + 2P	1600636-4
1600914-1	NO	.750	1.675	-	-	1.525	2.025	.475	3.075	2.585	1P + 24S + 1P	1600636-3
1600914-1	NO	.925	2.000	.250	.250	1.650	2.350	.450	3.400	2.910	2P + 24S + 2P	1600636-2
1600914-3	NO	1.925	4.000	.300	.300	2.675	4.350	.475	5.400	4.910	5ACP + 24S + 5ACP	1600636-1

OBSOLETE

THIS DRAWING IS A CONTROLLED DOCUMENT.		DWN D. RINGLER 28 JUL 2003	 TE Connectivity
DIMENSIONS: INCHES		CHK M. CORRELL 29 JUL 2003	
TOLERANCES UNLESS OTHERWISE SPECIFIED:		APVD	NAME
0 PLC ±.01 1 PLC ±.01 2 PLC ±.01 3 PLC ±.005 4 PLC ±.002 ANGLES ±.020		PRODUCT SPEC 108-2157	PANEL MOUNT CABLE RECEPTACLE HOUSING, WITH GUIDES, MULTI-BEAM XL
MATERIAL: 6		FINISH	SIZE A1
WEIGHT		CAGE CODE 114-13112	DRAWING NO 1600636
CUSTOMER DRAWING		SCALE 4:1	SHEET 2 OF 5

PART NUMBER	ROWS	POWER (L)					SIGNAL					POWER (R)					
		P10	P9	P8	P7	P6	6	5	4	3	2	1	P5	P4	P3	P2	P1
1600636-1	D C B A	RM	RM	RM	RM	RM	E	E	E	E	E	E	RA	RA	RA	RA	RA
5ACP + 24S + 5ACP																	

PART NUMBER	ROWS	POWER (L)			SIGNAL				POWER (R)		
		P6	P5	P4	4	3	2	1	P3	P2	P1
1600636-8	D C B A	RA	RA	RA	E	E	E	E	RM	RM	RM
3P + 16S + 3P											

PART NUMBER	ROWS	POWER (L)		SIGNAL						POWER (R)	
		P4	P3	6	5	4	3	2	1	P2	P1
1600636-2	D C B A	RM	RM	E	E	E	E	E	E	RA	RA
2P + 24S + 2P											

PART NUMBER	ROWS	POWER (L)	SIGNAL						POWER (R)
		P2	6	5	4	3	2	1	P1
1600636-9	D C B A	RA	E	E	E	E	E	E	RM
1P + 24S + 1P									

PART NUMBER	ROWS	POWER (L)	SIGNAL						POWER (R)
		P2	6	5	4	3	2	1	P1
1600636-3	D C B A	RA	E	E	E	E	E	E	RA
1P + 24S + 1P									

PART NUMBER	ROWS	POWER (L)		SIGNAL				POWER (R)	
		P4	P3	4	3	2	1	P2	P1
1-1600636-0	D C B A	RA	RA	E	E	E	E	RM	RM
2P + 16S + 2P									

PART NUMBER	ROWS	POWER (L)		SIGNAL										POWER (R)		
		P4	P3	11	10	9	8	7	6	5	4	3	2	1	P2	P1
1600636-4	D C B A	RM	RA	E	E	E	E	E	E	E	E	E	E	E	RA	RM
2P + 44S + 2P																

PART NUMBER	ROWS	POWER (L)	SIGNAL						POWER (R)
		P2	6	5	4	3	2	1	P1
1-1600636-1	D C B A	RM	E	E	E	E	E	E	RA
1P + 24S + 1P									

PART NUMBER	ROWS	POWER (L)				SIGNAL						POWER (R)			
		P8	P7	P6	P5	6	5	4	3	2	1	P4	P3	P2	P1
1600636-5	D C B A	RM	RA	RM	RA	E	E	E	E	E	E	RM	RA	RM	RA
4P + 24S + 4P															

PART NUMBER	ROWS	POWER (L)				SIGNAL						POWER (R)			
		P8	P7	P6	P5	6	5	4	3	2	1	P4	P3	P2	P1
1-1600636-2	D C B A	RM	RA	RM	RA	E	E	E	E	E	E	RM	RA	RM	RA
4P + 24S + 4P															

PART NUMBER	ROWS	POWER (L)										SIGNAL						POWER (R)					
		P16	P15	P14	P13	P12	P11	P10	P9	P8	P7	P6	P5	6	5	4	3	2	1	P4	P3	P2	P1
1600636-6	D C B A	RA	RM	RA	RM	RA	RM	RA	RM	RA	RM	RA	RM	E	E	E	E	E	E	RA	RM	RA	RM
4ACP + 24S + 12P																							

PART NUMBER	ROWS	P(L)	SIGNAL				P(R)
		P2	4	3	2	1	P1
1-1600636-3	D C B A	RA	E	E	E	E	RM
1P + 16S + 1P							

PART NUMBER	ROWS	POWER (L)		SIGNAL						POWER (R)			
		P6	P5	6	5	4	3	2	1	P4	P3	P2	P1
1600636-7	D C B A	RA	RM	E	E	E	E	E	E	RM	RA	RM	RA
4P + 24S + 2P													

PART NUMBER	ROWS	POWER (L)			SIGNAL						POWER (R)		
		P6	P5	P4	6	5	4	3	2	1	P3	P2	P1
1-1600636-4	D C B A	RM	RM	RM	E	E	E	E	E	E	RA	RA	RA
3ACP + 24S + 3ACP													

RM	STANDARD POWER CONTACT
RA	MFBL POWER CONTACT
E	SIGNAL CONTACT
CODE	DESCRIPTION
CONTACT TABLE	

THIS DRAWING IS A CONTROLLED DOCUMENT.

DIMENSIONS: INCHES

TOLERANCES UNLESS OTHERWISE SPECIFIED:

0 PLC	±
1 PLC	±.01
2 PLC	±.01
3 PLC	±.005
4 PLC	±.0020
ANGLES	±.02°

MATERIAL: FINISH:

APVD: M. CORRELL

PRODUCT SPEC: 108-2157

APPLICATION SPEC: 114-13112

WEIGHT: -

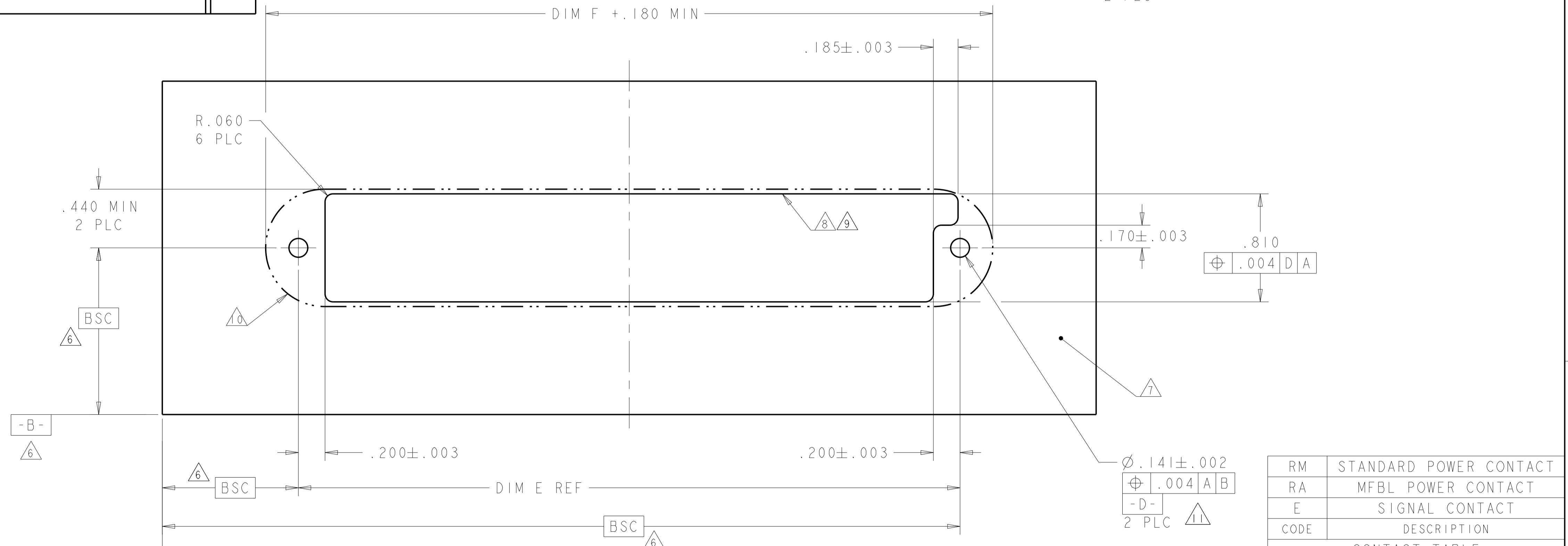
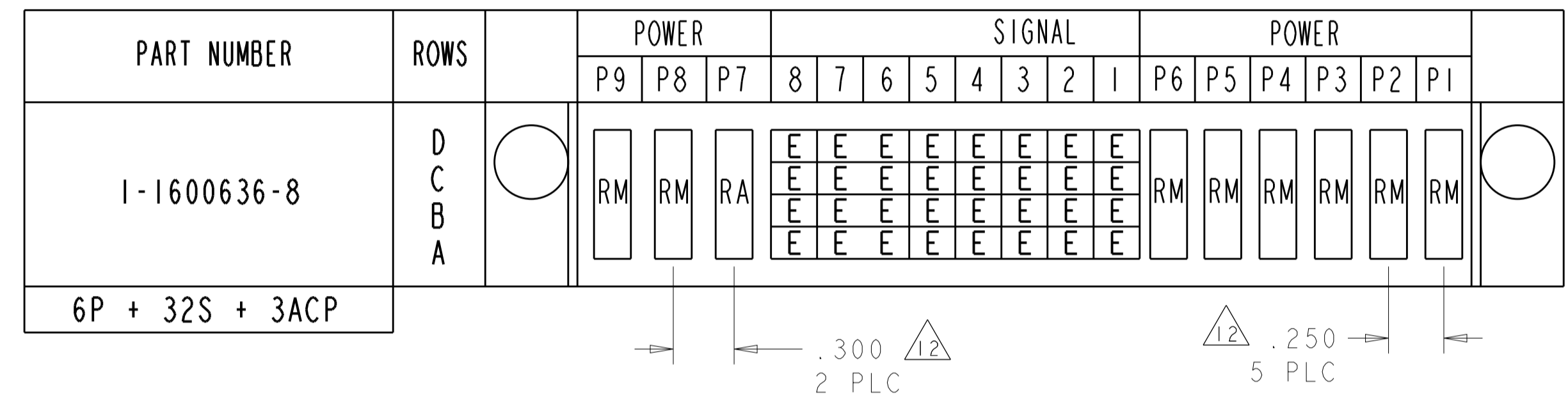
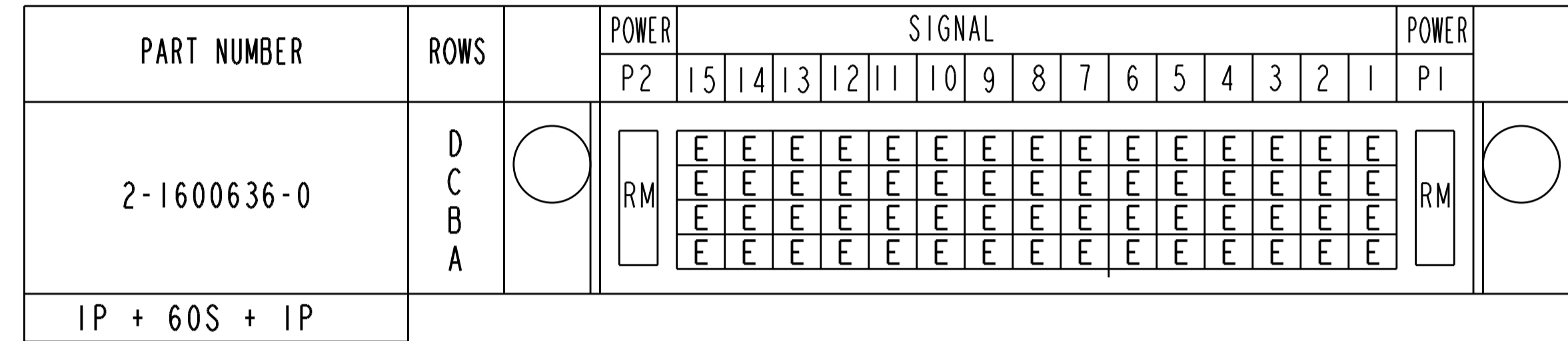
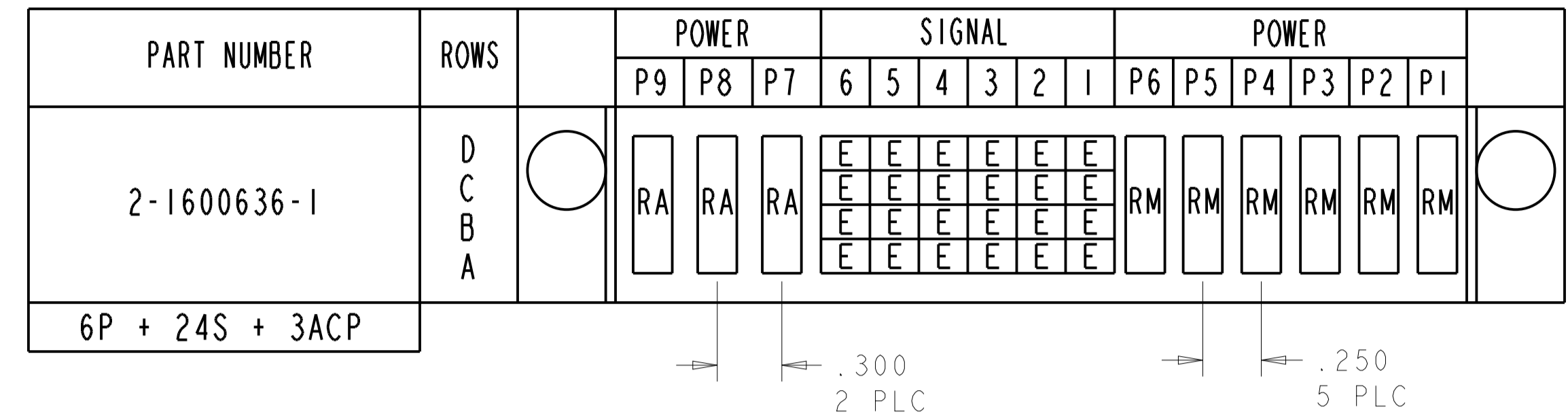
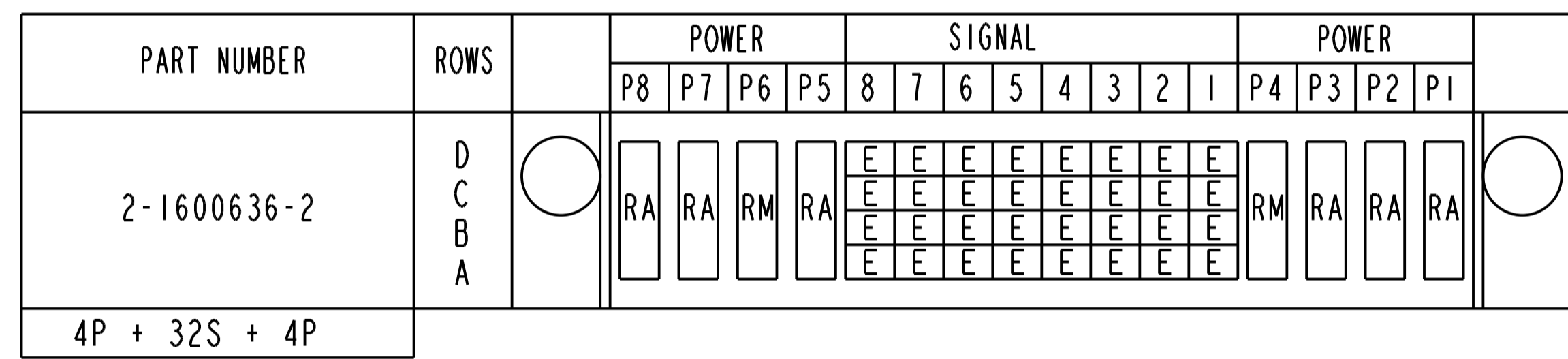
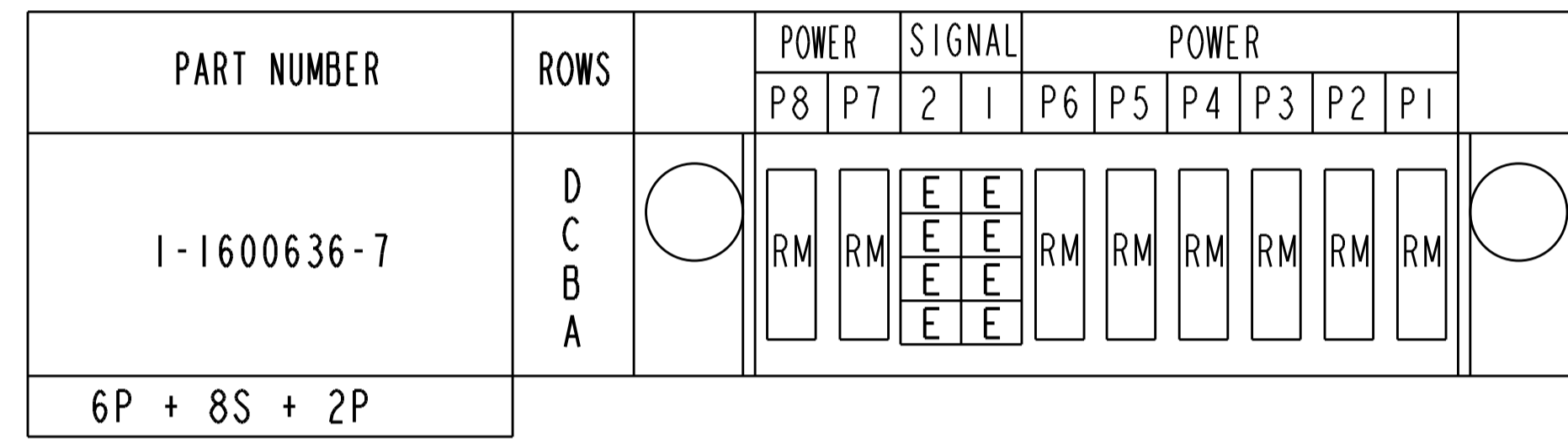
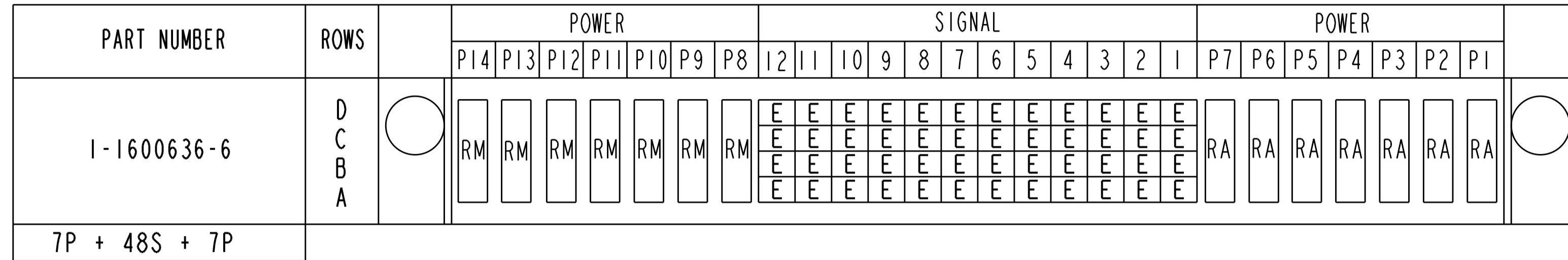
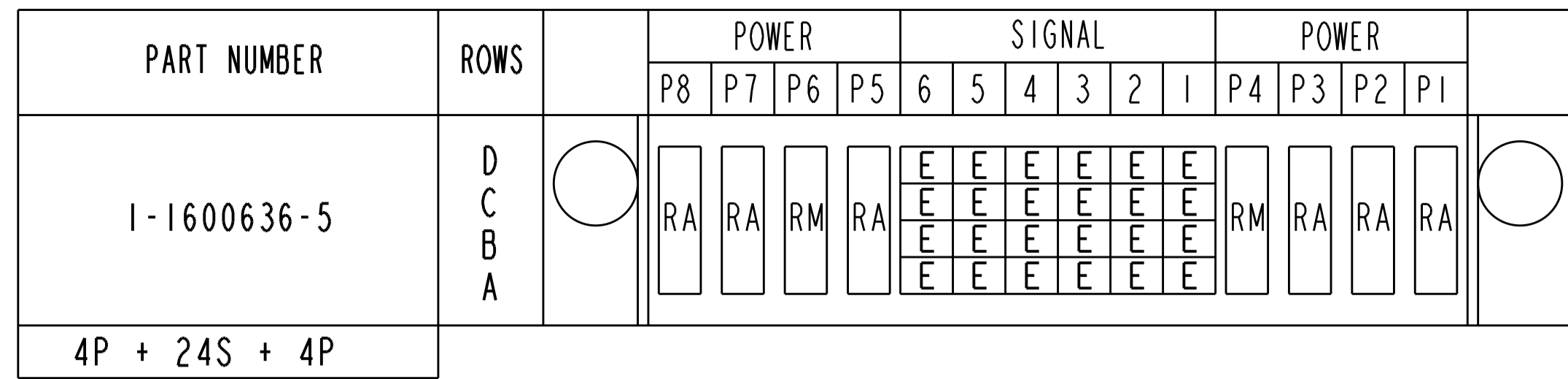
CUSTOMER DRAWING

SCALE: 4:1 SHEET 3 OF 5 REV: 9

STE TE Connectivity

PANEL MOUNT CABLE RECEPTACLE HOUSING, WITH GUIDES, MULTI-BEAM XL

SIZE: A1 CAGE CODE: DRAWING NO: C=1600636



REFERENCE POWER WIRE CHART - RM & RA CONTACTS		
HOUSING MODULE	CONTACT	INSULATION DIAMETER RANGE
.300	8-10 1600960 REF	[.176-.272]
.250	8-10 1600960 REF	[.176-.203]
	12-14 1600961 REF	[.156-.176]
.200	12-14 1600961 REF	[.120-.156]
.100	22-26 531216-5 REF	[.036-.069]

CODE	DESCRIPTION
RM	STANDARD POWER CONTACT
RA	MFBL POWER CONTACT
E	SIGNAL CONTACT
CONTACT TABLE	

BULKHEAD LAYOUT
SCALE 2:1

THIS DRAWING IS A CONTROLLED DOCUMENT.		DWN D. RINGLER 28 JUL 2003	TE Connectivity
DIMENSIONS: INCHES		CHK M. CORRELL 29 JUL 2003	
TOLERANCES UNLESS OTHERWISE SPECIFIED:		APVD	NAME
0 PLC ±.01		PRODUCT SPEC	PANEL MOUNT CABLE RECEPTACLE HOUSING, WITH GUIDES, MULTI-BEAM XL
1 PLC ±.01		APPLICATION SPEC	
2 PLC ±.005		WEIGHT	
3 PLC ±.002		SCALE	
MATERIAL		FINISH	SIZE
			CAGE CODE
			DRAWING NO
			RESTRICTED TO
			1
			4
			5
			REV
			9

PART NUMBER	ROWS	POWER							SIGNAL					POWER							
		P14	P13	P12	P11	P10	P9	P8	P7	6	5	4	3	2	1	P6	P5	P4	P3	P2	P1
2-1600636-3	D C B A	RM	RA			RM	RA			E	E	E	E	E	E	RA		RM	RM	RM	RM
6ACP + 24S + 8P																					

NO CONTACTS LOADED

PART NUMBER	ROWS	POWER (L)		SIGNAL		POWER (R)	
		P4	P3	2	1	P2	P1
2-1600636-8	D C B A	RA	RA	E	E	RA	RA
2ACP + 8S + 2ACP							

PART NUMBER	ROWS	POWER (L)			SIGNAL				POWER (R)		
		P6	P5	P4	4	3	2	1	P3	P2	P1
2-1600636-4	D C B A	RM	RM	RM	E	E	E	E	RM	RM	RM
3P + 16S + 3P											

PART NUMBER	ROWS	POWER			SIGNAL		POWER						
		P10	P9	P8	2	1	P7	P6	P5	P4	P3	P2	P1
2-1600636-9	D C B A	RM	RM	RM	E	E	RM	RM	RM	RM	RM	RM	RM
7P + 8S + 3ACP													

PART NUMBER	ROWS	POWER						SIGNAL		POWER		
		P9	P8	P7	P6	P5	P4	2	1	P3	P2	P1
3-1600636-4	D C B A	RM	RM	RM	RM	RM	RM	E	E	RM	RM	RM
3ACP + 8S + 6P												

PART NUMBER	ROWS	POWER (L)		SIGNAL					POWER (R)		
		P4	P3	6	5	4	3	2	1	P2	P1
2-1600636-5	D C B A	RA	RA	E	E	E	E	E	E	RA	RA
2ACP + 24S + 2ACP											

PART NUMBER	ROWS	POWER			SIGNAL						POWER				
		P6	P5	P4	8	7	6	5	4	3	2	1	P3	P2	P1
3-1600636-3	D C B A	RM	RM	RM	E	E	E	E	E	E	E	E	RA	RM	RM
3ACP + 32S + 3ACP															


PART NUMBER	ROWS	P(L)	SIGNAL		P(R)
		P2	2	1	P1
3-1600636-5	D C B A	RM	E	E	RM
1P + 8S + 1P					

PART NUMBER	ROWS	POWER			SIGNAL							POWER			
		P6	P5	P4	8	7	6	5	4	3	2	1	P3	P2	P1
2-1600636-6	D C B A	RA	RA	RA	E	E	E	E	E	E	E	E	RM	RM	RM
3ACP + 32S + 3ACP															

PART NUMBER	ROWS	POWER (L)		SIGNAL				POWER (R)	
		P4	P3	4	3	2	1	P2	P1
3-1600636-6	D C B A	RM	RA	E	E	E	E	RA	RM
2P + 16S + 2P									

PART NUMBER	ROWS	POWER						SIGNAL		POWER		
		P10	P9	P8	P7	P6	P5	P4	2	1	P3	P2
2-1600636-7	D C B A	RM	RM	RM	RM	RM	RM	E	E	RM	RM	RM
3ACP + 8S + 7P												

PART NUMBER	ROWS	POWER	SIGNAL							POWER
		P2	8	7	6	5	4	3	2	1
3-1600636-7	D C B A	RM	E	E	E	E	E	E	E	RM
1P + 32S + 1P										

THIS DRAWING IS A CONTROLLED DOCUMENT.		OWN: D. RINGLER 28JUL2003	 TE Connectivity
DIMENSIONS: INCHES		CHK: M. CORRELL 29JUL2003	
TOLERANCES UNLESS OTHERWISE SPECIFIED:		APVD:	NAME: PANEL MOUNT CABLE RECEPTACLE HOUSING, WITH GUIDES, MULTI-BEAM XL
0 PLC ±. 1 PLC ±.01 2 PLC ±.05 3 PLC ±.005 4 PLC ±.0020 ANGLES ±.2°		PRODUCT SPEC: 108-2157	SIZE: A1
MATERIAL: FINISH:		APPLICATION SPEC: 114-13112	RESTRICTED TO: C=1600636
		WEIGHT:	CUSTOMER DRAWING
		SCALE: 4:1	SHEET 5 OF 5



Компания «ЭлектроПласт» предлагает заключение долгосрочных отношений при поставках импортных электронных компонентов на взаимовыгодных условиях!

Наши преимущества:

- Оперативные поставки широкого спектра электронных компонентов отечественного и импортного производства напрямую от производителей и с крупнейших мировых складов;
- Поставка более 17-ти миллионов наименований электронных компонентов;
- Поставка сложных, дефицитных, либо снятых с производства позиций;
- Оперативные сроки поставки под заказ (от 5 рабочих дней);
- Экспресс доставка в любую точку России;
- Техническая поддержка проекта, помощь в подборе аналогов, поставка прототипов;
- Система менеджмента качества сертифицирована по Международному стандарту ISO 9001;
- Лицензия ФСБ на осуществление работ с использованием сведений, составляющих государственную тайну;
- Поставка специализированных компонентов (Xilinx, Altera, Analog Devices, Intersil, Interpoint, Microsemi, Aeroflex, Peregrine, Syfer, Eurofarad, Texas Instrument, Miteq, Cobham, E2V, MA-COM, Hittite, Mini-Circuits, General Dynamics и др.);

Помимо этого, одним из направлений компании «ЭлектроПласт» является направление «Источники питания». Мы предлагаем Вам помощь Конструкторского отдела:

- Подбор оптимального решения, техническое обоснование при выборе компонента;
- Подбор аналогов;
- Консультации по применению компонента;
- Поставка образцов и прототипов;
- Техническая поддержка проекта;
- Защита от снятия компонента с производства.



Как с нами связаться

Телефон: 8 (812) 309 58 32 (многоканальный)

Факс: 8 (812) 320-02-42

Электронная почта: org@eplast1.ru

Адрес: 198099, г. Санкт-Петербург, ул. Калинина, дом 2, корпус 4, литера А.