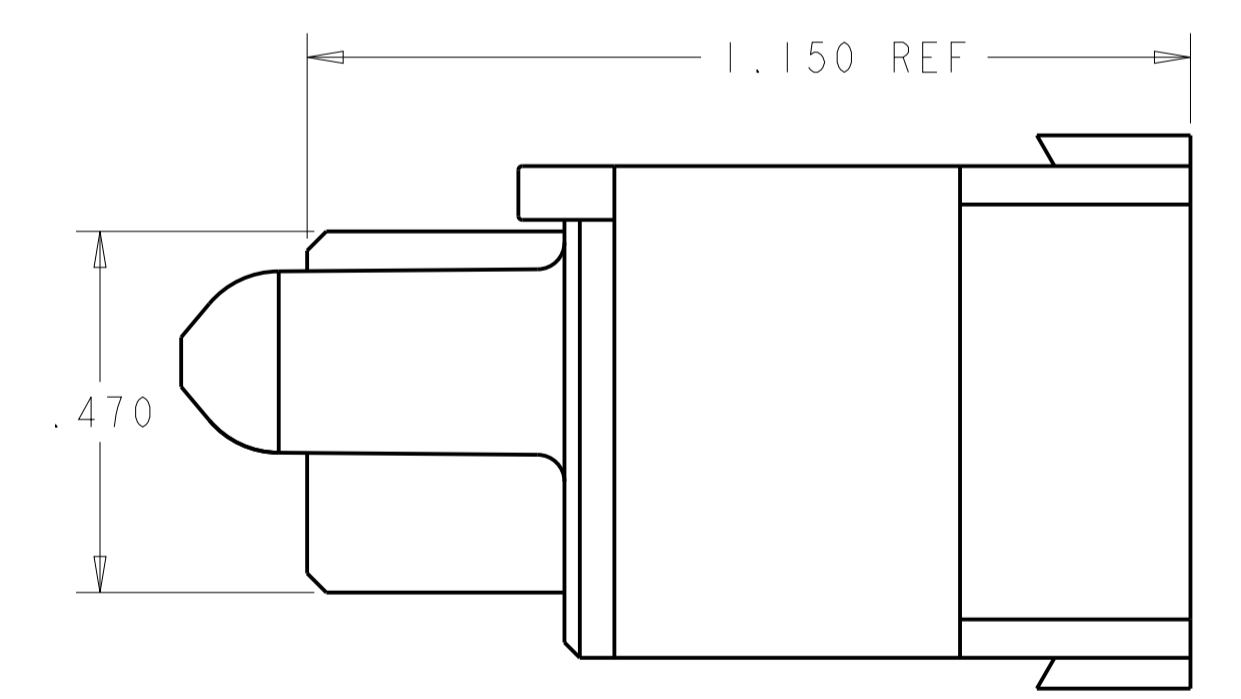
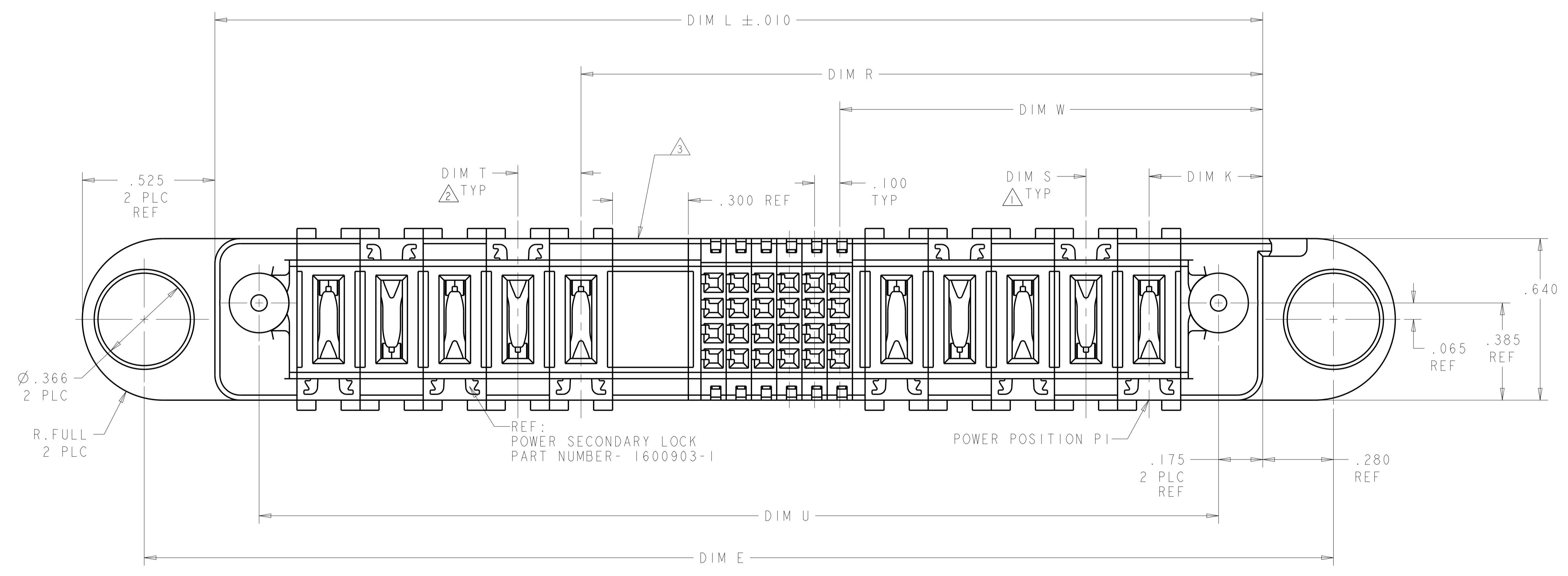
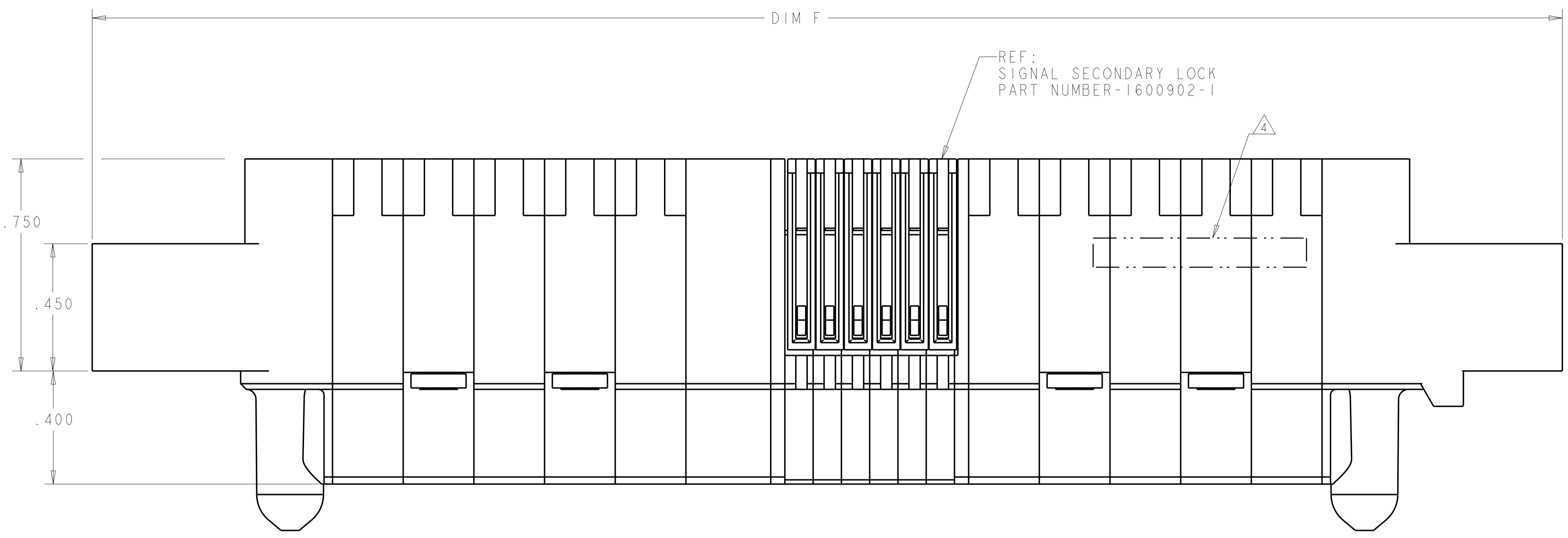
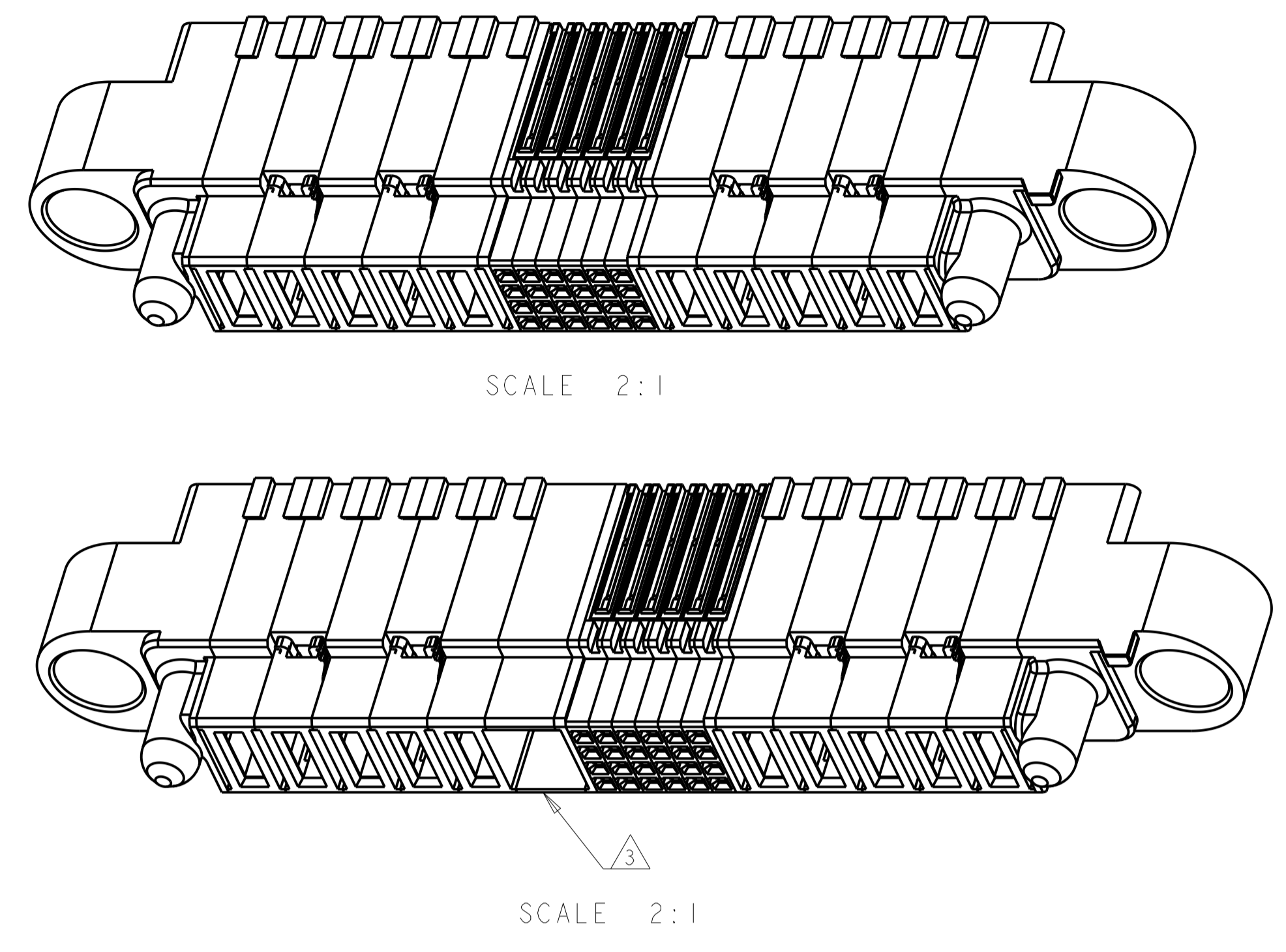
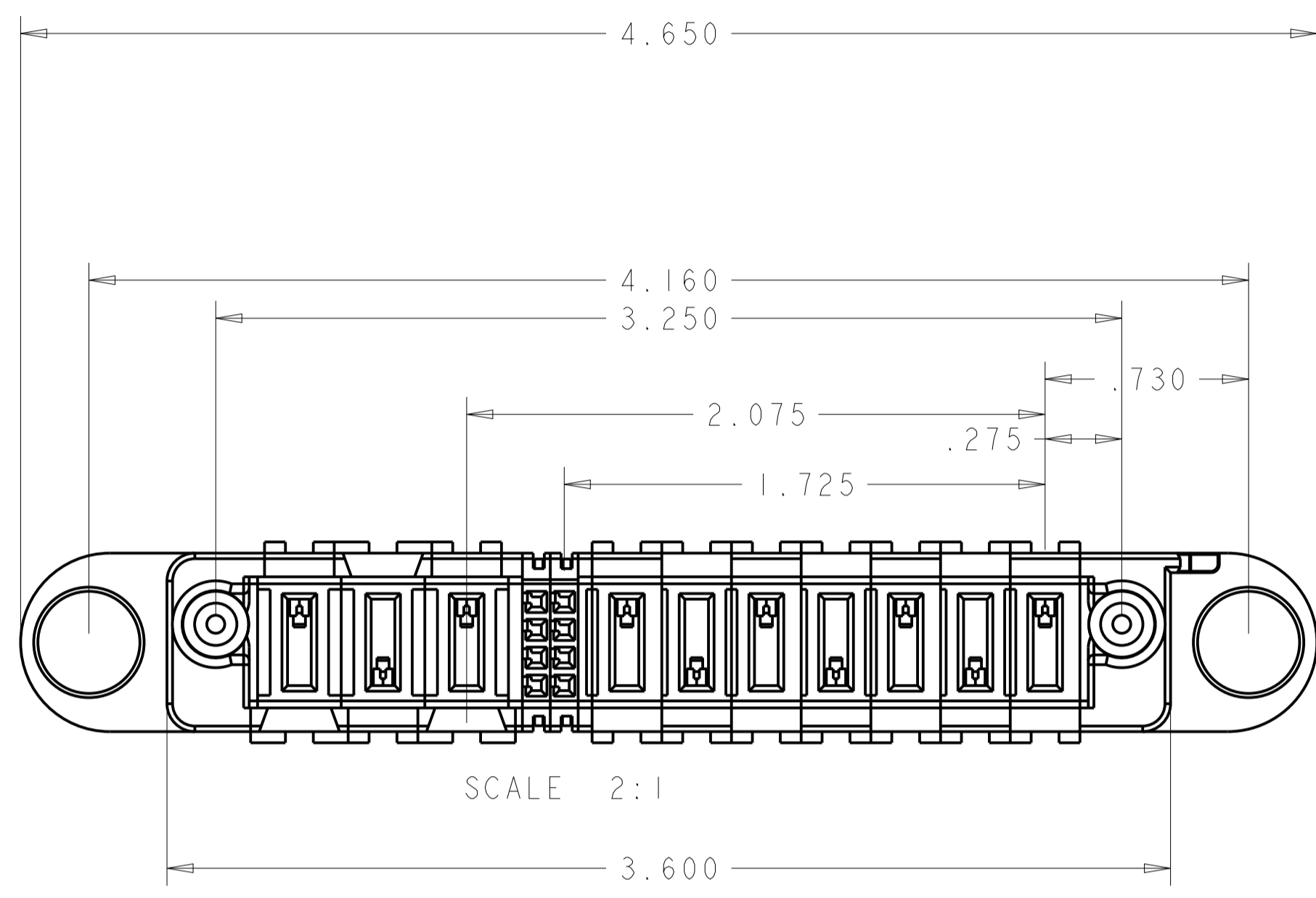


| LOC | DIST | REVISIONS | | | | | |
|-----|------|-----------|-----|-------------------------|-----------|-----|------|
| | | P | LTH | DESCRIPTION | DATE | DWN | APVD |
| ES | 00 | L9 | | ADD NEW DASH NUMBER 3-7 | 02JUL2017 | CZ | SZ |



| | | | | |
|---|--|--------------------------------|--|--|
| THIS DRAWING IS A CONTROLLED DOCUMENT. | | DWN D. RINGLER 28JUL2003 | TE Connectivity | |
| DIMENSIONS: INCHES | | CHK M. CORRELL 29JUL2003 | | |
| TOLERANCES UNLESS OTHERWISE SPECIFIED: | | APVD | NAME PANEL MOUNT CABLE RECEPTACLE HOUSING, WITH GUIDES, MULTI-BEAM XL | |
| 0 PLC ± 1 PLC ±.01 2 PLC ±.01 3 PLC ±.005 4 PLC ±.0020 ANGLES ±.2° | | PRODUCT SPEC 108-2157 | SIZE A1 | |
| MATERIAL | | APPLICATION SPEC 114-13112 | CAGE CODE DRAWING NO C=1600636 | |
| FINISH | | WEIGHT | RESTRICTED TO | |
| | | CUSTOMER DRAWING | SCALE 4:1 SHEET 1 OF 5 REV L9 | |



- 1 DIM S IS CENTERLINE SPACING OF POWER MODULES ON RIGHT SIDE OF HOUSING.
- 2 DIM T IS CENTERLINE SPACING OF POWER MODULES ON LEFT SIDE OF HOUSING.
- 3 OPTIONAL CENTER MODULE.
- 4 COMPANY TRADEMARK, PART NUMBER, AND DATE CODE TO BE MARKED IN AREA SHOWN PARTS UNDER 2.00 LONG MAY BE MARKED ON BOTH SIDES.
- 5 MATERIAL: THERMO PLASTIC, UL94 V-0.
- 6 DATUM LOCATIONS AND BASIC DIMENSIONS TO BE ESTABLISHED BY THE CUSTOMER.
- 7 BULKHEAD THICKNESS RANGE: .031 - .100
- 8 CONNECTOR MATED TO PANEL FROM OPPOSITE SIDE.
- 9 NO BURRS ALLOWED ON OPPOSITE (MATING) SIDE.
- 10 CONNECTOR KEEP OUT ZONE.
- 11 MOUNT CONNECTOR WITH TYCO HARDWARE KIT (SEE TABLE) FOR .050 [1.27mm] MIN RADIAL FLOAT.
- 12 VARIABLE DIMENSIONS SHOWN ON VIEW (SHEET 3).
- 13 NOT RELEASE FOR PRODUCTION
- 14. HARDWARE KIT P/N SOLD SEPARATELY

| KIT P/N | CENTER MODULE | DIM W | DIM U | DIM T | DIM S | DIM R | DIM L | DIM K | DIM F | DIM E | DESCRIPTION | PART NUMBER |
|-----------|---------------|-------|-------|-------|-------|-------|-------|-------|-------|-------|-------------------|-------------|
| 1600914-1 | NO | .675 | 1.700 | - | - | 1.600 | 2.050 | .450 | 3.100 | 2.610 | 1P + 32S + 1P | 3-1600636-7 |
| 1600914-1 | NO | .875 | 1.700 | .250 | .250 | 1.350 | 2.050 | .450 | 3.100 | 2.610 | 2P + 16S + 2P | 3-1600636-6 |
| 1600914-1 | NO | .675 | 1.100 | - | - | 1.000 | 1.450 | .450 | 2.500 | 2.010 | 1P + 8S + 1P | 3-1600636-5 |
| 1600914-1 | NO | 1.325 | 3.000 | .250 | .300 | 1.650 | 3.350 | .475 | 4.400 | 3.910 | 3ACP + 8S + 6P | 3-1600636-4 |
| 1600000-1 | NO | 1.325 | 3.000 | .300 | .300 | 2.275 | 3.350 | .475 | 4.400 | 3.910 | 3ACP + 32S + 3ACP | 3-1600636-3 |
| 1600914-1 | NO | 1.725 | 3.250 | .300 | .250 | 2.075 | 3.600 | .450 | 4.650 | 4.160 | 7P + 8S + 3ACP | 2-1600636-9 |
| 1600914-1 | NO | 1.025 | 1.800 | .300 | .300 | 1.375 | 2.150 | .475 | 3.200 | 2.710 | 2ACP + 8S + 2ACP | 2-1600636-8 |
| 1600914-1 | NO | 1.325 | 3.250 | .250 | .300 | 1.650 | 3.600 | .475 | 4.650 | 4.160 | 3ACP + 8S + 7P | 2-1600636-7 |
| 1600000-1 | NO | 1.325 | 3.000 | .300 | .300 | 2.275 | 3.350 | .475 | 4.400 | 3.910 | 3ACP + 32S + 3ACP | 2-1600636-6 |
| 1600000-1 | NO | 1.025 | 2.200 | .300 | .300 | 1.775 | 2.550 | .475 | 3.600 | 3.110 | 2ACP + 24S + 2ACP | 2-1600636-5 |
| 1600914-1 | NO | 1.175 | 2.300 | .250 | .250 | 1.700 | 2.650 | .450 | 3.700 | 3.210 | 3P + 16S + 3P | 2-1600636-4 |
| 1600914-3 | NO | 2.225 | 4.800 | .250 | .300 | 2.950 | 5.150 | .475 | 6.200 | 5.710 | 6ACP + 24S + 8P | 2-1600636-3 |
| 1600914-1 | NO | 1.425 | 3.200 | .250 | .250 | 2.350 | 3.550 | .450 | 4.600 | 4.110 | 4P + 32S + 4P | 2-1600636-2 |
| 1600914-1 | NO | 1.925 | 3.400 | .300 | .250 | 2.675 | 3.750 | .450 | 4.800 | 4.310 | 6P + 24S + 3ACP | 2-1600636-1 |
| 1600914-1 | NO | .725 | 2.500 | - | - | 2.375 | 2.850 | .475 | 3.900 | 3.410 | 1P + 60S + 1P | 2-1600636-0 |
| 1600914-1 | NO | 1.875 | 3.450 | 12 | 12 | 2.775 | 3.800 | .425 | 4.850 | 4.380 | 6P + 32S + 3 ACP | 1-1600636-8 |
| 1600914-1 | NO | 1.925 | 2.600 | .250 | .250 | 2.250 | 2.950 | .450 | 4.000 | 3.510 | 6P + 8S + 2P | 1-1600636-7 |
| 1600914-3 | NO | 2.175 | 5.100 | .250 | .250 | 3.500 | 5.450 | .450 | 6.500 | 6.010 | 7P + 48S + 7P | 1-1600636-6 |
| 1600914-1 | NO | 1.425 | 3.000 | .250 | .250 | 2.150 | 3.350 | .450 | 4.400 | 3.910 | 4P + 24S + 4P | 1-1600636-5 |
| 1600914-1 | NO | 1.325 | 2.800 | .300 | .300 | 2.075 | 3.150 | .475 | 4.200 | 3.710 | 3ACP + 24S + 3ACP | 1-1600636-4 |
| 1600914-1 | NO | .675 | 1.300 | - | - | 1.200 | 1.650 | .450 | 2.700 | 2.210 | 1P + 16S + 1P | 1-1600636-3 |
| 1600914-1 | NO | 1.425 | 3.000 | .250 | .250 | 2.150 | 3.350 | .450 | 4.400 | 3.910 | 4P + 24S + 4P | 1-1600636-2 |
| 1600914-1 | NO | .700 | 1.575 | - | - | 1.425 | 1.925 | .475 | 2.975 | 2.485 | 1P + 24S + 1P | 1-1600636-1 |
| 1600914-1 | NO | .925 | 1.800 | .250 | .250 | 1.450 | 2.150 | .450 | 3.200 | 2.710 | 2P + 16S + 2P | 1-1600636-0 |
| 1600914-1 | NO | .700 | 1.575 | - | - | 1.425 | 1.925 | .475 | 2.975 | 2.485 | 1P + 24S + 1P | 1600636-9 |
| 1600914-1 | NO | 1.175 | 2.300 | .250 | .250 | 1.700 | 2.650 | .450 | 3.700 | 3.210 | 3P + 16S + 3P | 1600636-8 |
| 1600914-1 | NO | 1.425 | 2.500 | .250 | .250 | 2.150 | 2.850 | .450 | 3.900 | 3.410 | 4P + 24S + 2P | 1600636-7 |
| 1600914-3 | NO | 1.625 | 5.200 | .250 | .300 | 2.350 | 5.550 | .475 | 6.600 | 6.110 | 4ACP + 24S + 12P | 1600636-6 |
| 1600914-1 | NO | 1.425 | 3.000 | .250 | .250 | 2.150 | 3.350 | .450 | 4.400 | 3.910 | 4P + 24S + 4P | 1600636-5 |
| 1600914-1 | NO | .925 | 2.500 | .250 | .250 | 2.150 | 2.850 | .450 | 3.900 | 3.410 | 2P + 44S + 2P | 1600636-4 |
| 1600914-1 | NO | .750 | 1.675 | - | - | 1.525 | 2.025 | .475 | 3.075 | 2.585 | 1P + 24S + 1P | 1600636-3 |
| 1600914-1 | NO | .925 | 2.000 | .250 | .250 | 1.650 | 2.350 | .450 | 3.400 | 2.910 | 2P + 24S + 2P | 1600636-2 |
| 1600914-3 | NO | 1.925 | 4.000 | .300 | .300 | 2.675 | 4.350 | .475 | 5.400 | 4.910 | 5ACP + 24S + 5ACP | 1600636-1 |

OBSOLETE

| | | | |
|--|--|----------------------------------|--|
| THIS DRAWING IS A CONTROLLED DOCUMENT. | | DWN D. RINGLER 28 JUL 2003 | TE Connectivity |
| DIMENSIONS: INCHES | | CHK M. CORRELL 29 JUL 2003 | |
| TOLERANCES UNLESS OTHERWISE SPECIFIED: | | APVD | NAME |
| 0 PLC ±.01 1 PLC ±.01 2 PLC ±.01 3 PLC ±.005 4 PLC ±.002 ANGLES ±.020 | | PRODUCT SPEC 108-2157 | PANEL MOUNT CABLE RECEPTACLE HOUSING, WITH GUIDES, MULTI-BEAM XL |
| MATERIAL: 6 | | FINISH | SIZE A1 |
| WEIGHT | | CAGE CODE 114-13112 | DRAWING NO 1600636 |
| CUSTOMER DRAWING | | SCALE 4:1 | SHEET 2 OF 5 |

| PART NUMBER | ROWS | POWER (L) | | | | | SIGNAL | | | | | POWER (R) | | | | | | | | | | |
|-------------------|------------------|-----------|----|----|----|----|--------|---|---|---|---|-----------|----|----|----|----|----|----|----|----|----|----|
| | | P10 | P9 | P8 | P7 | P6 | 6 | 5 | 4 | 3 | 2 | 1 | P5 | P4 | P3 | P2 | P1 | | | | | |
| 1600636-1 | D C B A | RM | RM | RM | RM | RM | E | E | E | E | E | E | E | E | E | E | E | RA | RA | RA | RA | RA |
| 5ACP + 24S + 5ACP | | | | | | | | | | | | | | | | | | | | | | |

| PART NUMBER | ROWS | POWER (L) | | | SIGNAL | | | | POWER (R) | | | | | | |
|---------------|------------------|-----------|----|----|--------|---|---|---|-----------|----|----|---|----|----|----|
| | | P6 | P5 | P4 | 4 | 3 | 2 | 1 | P3 | P2 | P1 | | | | |
| 1600636-8 | D C B A | RA | RA | RA | E | E | E | E | E | E | E | E | RM | RM | RM |
| 3P + 16S + 3P | | | | | | | | | | | | | | | |

| PART NUMBER | ROWS | POWER (L) | | SIGNAL | | | | | | POWER (R) | | | |
|---------------|------------------|-----------|----|--------|---|---|---|---|---|-----------|----|----|----|
| | | P4 | P3 | 6 | 5 | 4 | 3 | 2 | 1 | P2 | P1 | | |
| 1600636-2 | D C B A | RM | RM | E | E | E | E | E | E | E | E | RA | RA |
| 2P + 24S + 2P | | | | | | | | | | | | | |

| PART NUMBER | ROWS | POWER (L) | SIGNAL | | | | | | POWER (R) | | |
|---------------|------------------|-----------|--------|---|---|---|---|---|-----------|---|----|
| | | P2 | 6 | 5 | 4 | 3 | 2 | 1 | P1 | | |
| 1600636-9 | D C B A | RA | E | E | E | E | E | E | E | E | RM |
| 1P + 24S + 1P | | | | | | | | | | | |

| PART NUMBER | ROWS | POWER (L) | SIGNAL | | | | | | POWER (R) | | |
|---------------|------------------|-----------|--------|---|---|---|---|---|-----------|---|----|
| | | P2 | 6 | 5 | 4 | 3 | 2 | 1 | P1 | | |
| 1600636-3 | D C B A | RA | E | E | E | E | E | E | E | E | RA |
| 1P + 24S + 1P | | | | | | | | | | | |

| PART NUMBER | ROWS | POWER (L) | | SIGNAL | | | | POWER (R) | | | | |
|---------------|------------------|-----------|----|--------|---|---|---|-----------|----|---|----|----|
| | | P4 | P3 | 4 | 3 | 2 | 1 | P2 | P1 | | | |
| 1-1600636-0 | D C B A | RA | RA | E | E | E | E | E | E | E | RM | RM |
| 2P + 16S + 2P | | | | | | | | | | | | |

| PART NUMBER | ROWS | POWER (L) | | SIGNAL | | | | | | | | | | POWER (R) | | | | | |
|---------------|------------------|-----------|----|--------|----|---|---|---|---|---|---|---|---|-----------|----|----|---|----|----|
| | | P4 | P3 | 11 | 10 | 9 | 8 | 7 | 6 | 5 | 4 | 3 | 2 | 1 | P2 | P1 | | | |
| 1600636-4 | D C B A | RM | RA | E | E | E | E | E | E | E | E | E | E | E | E | E | E | RA | RM |
| 2P + 44S + 2P | | | | | | | | | | | | | | | | | | | |

| PART NUMBER | ROWS | POWER (L) | SIGNAL | | | | | | POWER (R) | | |
|---------------|------------------|-----------|--------|---|---|---|---|---|-----------|---|----|
| | | P2 | 6 | 5 | 4 | 3 | 2 | 1 | P1 | | |
| 1-1600636-1 | D C B A | RM | E | E | E | E | E | E | E | E | RA |
| 1P + 24S + 1P | | | | | | | | | | | |

| PART NUMBER | ROWS | POWER (L) | | | | SIGNAL | | | | | | POWER (R) | | | | | | | | |
|---------------|------------------|-----------|----|----|----|--------|---|---|---|---|---|-----------|----|----|----|---|----|----|----|----|
| | | P8 | P7 | P6 | P5 | 6 | 5 | 4 | 3 | 2 | 1 | P4 | P3 | P2 | P1 | | | | | |
| 1600636-5 | D C B A | RM | RA | RM | RA | E | E | E | E | E | E | E | E | E | E | E | RM | RA | RM | RA |
| 4P + 24S + 4P | | | | | | | | | | | | | | | | | | | | |

| PART NUMBER | ROWS | POWER (L) | | | | SIGNAL | | | | | | POWER (R) | | | | | | | | |
|---------------|------------------|-----------|----|----|----|--------|---|---|---|---|---|-----------|----|----|----|---|----|----|----|----|
| | | P8 | P7 | P6 | P5 | 6 | 5 | 4 | 3 | 2 | 1 | P4 | P3 | P2 | P1 | | | | | |
| 1-1600636-2 | D C B A | RM | RA | RM | RA | E | E | E | E | E | E | E | E | E | E | E | RM | RA | RM | RA |
| 4P + 24S + 4P | | | | | | | | | | | | | | | | | | | | |

| PART NUMBER | ROWS | POWER (L) | | | | | | | | | | SIGNAL | | | | | | POWER (R) | | | | | | | | |
|------------------|------------------|-----------|-----|-----|-----|-----|-----|-----|----|----|----|--------|----|----|----|----|----|-----------|----|----|----|----|----|----|----|----|
| | | P16 | P15 | P14 | P13 | P12 | P11 | P10 | P9 | P8 | P7 | P6 | P5 | 6 | 5 | 4 | 3 | 2 | 1 | P4 | P3 | P2 | P1 | | | |
| 1600636-6 | D C B A | RA | RM | RA | RM | RA | RM | RA | RM | RA | RM | RA | RM | RA | RM | RA | RM | RA | RM | RA | RM | RA | RA | RM | RA | RM |
| 4ACP + 24S + 12P | | | | | | | | | | | | | | | | | | | | | | | | | | |

| PART NUMBER | ROWS | P(L) | SIGNAL | | | | P(R) | |
|---------------|------------------|------|--------|---|---|---|------|----|
| | | P2 | 4 | 3 | 2 | 1 | P1 | |
| 1-1600636-3 | D C B A | RA | E | E | E | E | E | RM |
| 1P + 16S + 1P | | | | | | | | |

| PART NUMBER | ROWS | POWER (L) | | SIGNAL | | | | | | POWER (R) | | | | | |
|---------------|------------------|-----------|----|--------|---|---|---|---|---|-----------|----|----|----|----|----|
| | | P6 | P5 | 6 | 5 | 4 | 3 | 2 | 1 | P4 | P3 | P2 | P1 | | |
| 1600636-7 | D C B A | RA | RM | E | E | E | E | E | E | E | E | RM | RA | RM | RA |
| 4P + 24S + 2P | | | | | | | | | | | | | | | |

| PART NUMBER | ROWS | POWER (L) | | | SIGNAL | | | | | | POWER (R) | | | | | | |
|-------------------|------------------|-----------|----|----|--------|---|---|---|---|---|-----------|----|----|---|----|----|----|
| | | P6 | P5 | P4 | 6 | 5 | 4 | 3 | 2 | 1 | P3 | P2 | P1 | | | | |
| 1-1600636-4 | D C B A | RM | RM | RM | E | E | E | E | E | E | E | E | E | E | RA | RA | RA |
| 3ACP + 24S + 3ACP | | | | | | | | | | | | | | | | | |

| | |
|---------------|------------------------|
| RM | STANDARD POWER CONTACT |
| RA | MFBL POWER CONTACT |
| E | SIGNAL CONTACT |
| CODE | DESCRIPTION |
| CONTACT TABLE | |

THIS DRAWING IS A CONTROLLED DOCUMENT.

DWN: D. RINGLER 28JUL2003
CHK: M. CORRELL 29JUL2003

DIMENSIONS: INCHES

TOLERANCES UNLESS OTHERWISE SPECIFIED:
 0 PLC ±.
 1 PLC ±.01
 2 PLC ±.01
 3 PLC ±.005
 4 PLC ±.0020
 ANGLES ±.2°

MATERIAL: FINISH:

PRODUCT SPEC: 108-2157
APPLICATION SPEC: 114-13112

WEIGHT: A1

SCALE: 4:1 SHEET 3 OF 5 REV: 9

STE TE Connectivity

PANEL MOUNT CABLE RECEPTACLE HOUSING, WITH GUIDES, MULTI-BEAM XL

SIZE: CAGE CODE: DRAWING NO: 1600636

CUSTOMER DRAWING

| PART NUMBER | ROWS | POWER | | | | | | | SIGNAL | | | | | POWER | | | | | | | |
|-----------------|------------------|-------|-----|-----|-----|-----|----|----|--------|---|---|---|---|-------|---|----|----|----|----|----|----|
| | | P14 | P13 | P12 | P11 | P10 | P9 | P8 | P7 | 6 | 5 | 4 | 3 | 2 | 1 | P6 | P5 | P4 | P3 | P2 | P1 |
| 2-1600636-3 | D C B A | RM | RA | | | RM | RA | | | E | E | E | E | E | E | RA | | RM | RM | RM | RM |
| 6ACP + 24S + 8P | | | | | | | | | | | | | | | | | | | | | |

| PART NUMBER | ROWS | POWER (L) | | SIGNAL | | POWER (R) | |
|------------------|------------------|-----------|----|--------|---|-----------|----|
| | | P4 | P3 | 2 | 1 | P2 | P1 |
| 2-1600636-8 | D C B A | RA | RA | E | E | RA | RA |
| 2ACP + 8S + 2ACP | | | | | | | |

NO CONTACTS LOADED

| PART NUMBER | ROWS | POWER (L) | | | SIGNAL | | | | POWER (R) | | |
|---------------|------------------|-----------|----|----|--------|---|---|---|-----------|----|----|
| | | P6 | P5 | P4 | 4 | 3 | 2 | 1 | P3 | P2 | P1 |
| 2-1600636-4 | D C B A | RM | RM | RM | E | E | E | E | RM | RM | RM |
| 3P + 16S + 3P | | | | | | | | | | | |

| PART NUMBER | ROWS | POWER | | | SIGNAL | | POWER | | | | | | |
|----------------|------------------|-------|----|----|--------|---|-------|----|----|----|----|----|----|
| | | P10 | P9 | P8 | 2 | 1 | P7 | P6 | P5 | P4 | P3 | P2 | P1 |
| 2-1600636-9 | D C B A | RM | RM | RM | E | E | RM | RM | RM | RM | RM | RM | RM |
| 7P + 8S + 3ACP | | | | | | | | | | | | | |

| PART NUMBER | ROWS | POWER | | | | | | SIGNAL | | POWER | | |
|----------------|------------------|-------|----|----|----|----|----|--------|---|-------|----|----|
| | | P9 | P8 | P7 | P6 | P5 | P4 | 2 | 1 | P3 | P2 | P1 |
| 3-1600636-4 | D C B A | RM | RM | RM | RM | RM | RM | E | E | RM | RM | RM |
| 3ACP + 8S + 6P | | | | | | | | | | | | |

| PART NUMBER | ROWS | POWER (L) | | SIGNAL | | | | | POWER (R) | | |
|-------------------|------------------|-----------|----|--------|---|---|---|---|-----------|----|----|
| | | P4 | P3 | 6 | 5 | 4 | 3 | 2 | 1 | P2 | P1 |
| 2-1600636-5 | D C B A | RA | RA | E | E | E | E | E | E | RA | RA |
| 2ACP + 24S + 2ACP | | | | | | | | | | | |

| PART NUMBER | ROWS | POWER | | | SIGNAL | | | | | | | POWER | | | |
|-------------------|------------------|-------|----|----|--------|---|---|---|---|---|---|-------|----|----|----|
| | | P6 | P5 | P4 | 8 | 7 | 6 | 5 | 4 | 3 | 2 | 1 | P3 | P2 | P1 |
| 3-1600636-3 | D C B A | RM | RM | RM | E | E | E | E | E | E | E | E | RA | RM | RM |
| 3ACP + 32S + 3ACP | | | | | | | | | | | | | | | |


| PART NUMBER | ROWS | P(L) | SIGNAL | | P(R) |
|--------------|------------------|------|--------|---|------|
| | | P2 | 2 | 1 | P1 |
| 3-1600636-5 | D C B A | RM | E | E | RM |
| 1P + 8S + 1P | | | | | |

| PART NUMBER | ROWS | POWER | | | SIGNAL | | | | | | | POWER | | | |
|-------------------|------------------|-------|----|----|--------|---|---|---|---|---|---|-------|----|----|----|
| | | P6 | P5 | P4 | 8 | 7 | 6 | 5 | 4 | 3 | 2 | 1 | P3 | P2 | P1 |
| 2-1600636-6 | D C B A | RA | RA | RA | E | E | E | E | E | E | E | E | RM | RM | RM |
| 3ACP + 32S + 3ACP | | | | | | | | | | | | | | | |

| PART NUMBER | ROWS | POWER (L) | | SIGNAL | | | | POWER (R) | |
|---------------|------------------|-----------|----|--------|---|---|---|-----------|----|
| | | P4 | P3 | 4 | 3 | 2 | 1 | P2 | P1 |
| 3-1600636-6 | D C B A | RM | RA | E | E | E | E | RA | RM |
| 2P + 16S + 2P | | | | | | | | | |

| PART NUMBER | ROWS | POWER | | | | | | SIGNAL | | POWER | | |
|----------------|------------------|-------|----|----|----|----|----|--------|---|-------|----|----|
| | | P10 | P9 | P8 | P7 | P6 | P5 | P4 | 2 | 1 | P3 | P2 |
| 2-1600636-7 | D C B A | RM | RM | RM | RM | RM | RM | E | E | RM | RM | RM |
| 3ACP + 8S + 7P | | | | | | | | | | | | |

| PART NUMBER | ROWS | POWER | SIGNAL | | | | | | | POWER |
|---------------|------------------|-------|--------|---|---|---|---|---|---|-------|
| | | P2 | 8 | 7 | 6 | 5 | 4 | 3 | 2 | 1 |
| 3-1600636-7 | D C B A | RM | E | E | E | E | E | E | E | RM |
| 1P + 32S + 1P | | | | | | | | | | |

| | | | |
|--|--|-----------------------------|---|
| THIS DRAWING IS A CONTROLLED DOCUMENT. | | OWN: D. RINGLER 28JUL2003 |  TE Connectivity |
| DIMENSIONS: INCHES | | CHK: M. CORRELL 29JUL2003 | |
| TOLERANCES UNLESS OTHERWISE SPECIFIED: | | APVD: | NAME: PANEL MOUNT CABLE RECEPTACLE HOUSING, WITH GUIDES, MULTI-BEAM XL |
| 0 PLC ±. 1 PLC ±.01 2 PLC ±.05 3 PLC ±.0020 4 PLC ±.0020 ANGLES ±.020 | | PRODUCT SPEC: 108-2157 | SIZE: A1 |
| MATERIAL: FINISH: | | APPLICATION SPEC: 114-13112 | RESTRICTED TO: |
| | | WEIGHT: | CAGE CODE: 1600636 |
| | | CUSTOMER DRAWING | SCALE: 4:1 SHEET 5 OF 5 REV: 1.9 |



Компания «ЭлектроПласт» предлагает заключение долгосрочных отношений при поставках импортных электронных компонентов на взаимовыгодных условиях!

Наши преимущества:

- Оперативные поставки широкого спектра электронных компонентов отечественного и импортного производства напрямую от производителей и с крупнейших мировых складов;
- Поставка более 17-ти миллионов наименований электронных компонентов;
- Поставка сложных, дефицитных, либо снятых с производства позиций;
- Оперативные сроки поставки под заказ (от 5 рабочих дней);
- Экспресс доставка в любую точку России;
- Техническая поддержка проекта, помощь в подборе аналогов, поставка прототипов;
- Система менеджмента качества сертифицирована по Международному стандарту ISO 9001;
- Лицензия ФСБ на осуществление работ с использованием сведений, составляющих государственную тайну;
- Поставка специализированных компонентов (Xilinx, Altera, Analog Devices, Intersil, Interpoint, Microsemi, Aeroflex, Peregrine, Syfer, Eurofarad, Texas Instrument, Miteq, Cobham, E2V, MA-COM, Hittite, Mini-Circuits, General Dynamics и др.);

Помимо этого, одним из направлений компании «ЭлектроПласт» является направление «Источники питания». Мы предлагаем Вам помощь Конструкторского отдела:

- Подбор оптимального решения, техническое обоснование при выборе компонента;
- Подбор аналогов;
- Консультации по применению компонента;
- Поставка образцов и прототипов;
- Техническая поддержка проекта;
- Защита от снятия компонента с производства.



Как с нами связаться

Телефон: 8 (812) 309 58 32 (многоканальный)

Факс: 8 (812) 320-02-42

Электронная почта: org@eplast1.ru

Адрес: 198099, г. Санкт-Петербург, ул. Калинина, дом 2, корпус 4, литера А.