



## Dialight LED Panel Mount Indicator Catalog

for LED and Relampable Products

# On when it counts.

---

Products and solutions that  
protect your business





## Typical Applications

Dialight's panel mount products are used for status indication in broad range of applications from heavy duty vehicles, military avionics displays to servers and communications equipment. Some examples of common applications are:

- Medical
- Military/Aviation
- Oil/Gas/Mining Equipment
- Food Processing
- Marine
- Wire and Harness
- Power Distribution
- Industrial Control Panels
- Test & Measurement
- Traffic controls and Rail Applications
- Servers & Storage
- Transportation
- Fan Trays

## About Dialight (Signal and Component Group)

In business since 1938, Dialight continues to pioneer some of the most innovative applications in LED technology since the development of LED in the early 1970's. We put our expertise to work for you by designing the most reliable and cost-effective LED products available. As a vertically integrated supplier, Dialight has the resources to design and produce everything in-house, supported by a global sales distribution network.

# Table of Contents

---

## LED Panel Mount Indicators\*

02

- 249 Series - 0.375" (9.53mm)
- 556 Series - 1" (25.40mm)
- 557 Series - 0.688" (17.46mm)
- 558 Series - 0.156" (3.96mm)
- 559 Series - 0.250" (6.35mm)
- 600 Series - 0.205"-0.642" (5mm-16mm)
- 656 Series - 0.5" (12.7mm)
- 657 Series - 0.688" (17.46mm)
- 670 Series - 0.205"-0.642" (5mm-16mm)

## LED Bulbs

62

- Based LED Bulbs
- Incandescent Lamp / Based LED Cross-reference guide

## Relampable Lampholders and Caps\*

84

- 3/8" (9.53mm) - Mounting hole
- 15/32" (11.91mm) - Mounting hole
- 11/16" (17.46mm) - Mounting hole
- 1" (25.40mm) - Mounting Hole
- Neon & Incandescent Panel Mount Indicator Part Numbering System

## Military Panel Mount Indicators

89

- Military Panel Mount Indicators
- Military Cross Reference Guide

\*LED Panel Mount Indicators Series with mounting hole diameter.



## Certifications & Ratings

- RoHS Compliant

## Application

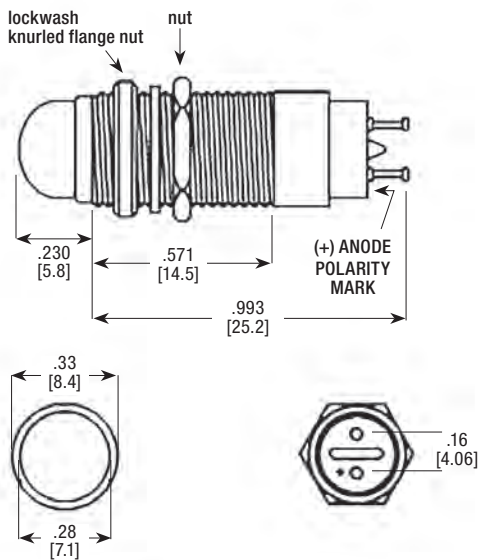
Dialight's 249 series LED panel mount indicator is available with a variety of LED's including AlInGap and InGan technology for high brightness applications. These indicators are designed for a variety of applications such as:

- Main and remote power indication
- Status indication
- Maintenance and warning indication
- Instrumentation
- Process control
- ... and many more!

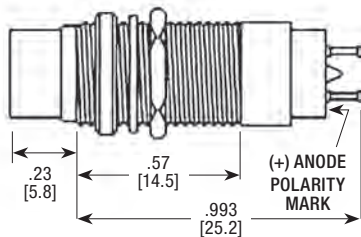
## Dimensions

inches [mm]

### Stovepipe Lens



### Cylindrical Lens



\*Cylindrical lens will provide wider viewing angle

## Mechanical information

**Mounting Hole Size:** 0.375" (9.53 mm)

**Max Panel Thickness:** 0.312" (7.92 mm)

**Mounting Torque:** 8–10 in-lbs torque

## Specifications

**Voltage Options:** 3.6, 5, 10, 14, and 28VDC  
(no resistor required)

**Operating Temp:** -55 °C to +71 °C (-67 °F to +159.8 °F)

**Storage Temp:** -55 °C to +71 °C (-67 °F to +159.8 °F)

**Electrical Connection:** Turret terminals for wire wrapping

**Housing:** Aluminum — Black Anodized

**Terminals:** Phosphor Bronze — Fused Tin

**Knurled Flange Nut:** Aluminum — Black Anodized

**Lock Washer:** Phosphor Bronze — White Nickel Plated

**Nut:** Brass — White Nickel Plated

## Ordering Information 249 Series

### Stovepipe Lens

Dialight P/N	Color	Voltage (VDC)*	Current (mA)	Typical Intensity (mcd)
249-4162-3734-504F	Blue	3.5**	10	1500
249-7867-3731-504F	Red	3.6	20	170
249-7967-3732-504F	Green			100
249-8067-3733-504F	Yellow			150
249-4164-3734-504F	Blue			10
249-7868-3731-504F	Red	5	20	170
249-7968-3732-504F	Green			100
249-8068-3733-504F	Yellow			150
249-4166-3734-504F	Blue			10
249-7870-3731-504F	Red	10	20	170
249-7970-3732-504F	Green			100
249-8070-3733-504F	Yellow			150
249-4167-3734-504F	Blue			10
249-7871-3731-504F	Red	14	20	170
249-7971-3732-504F	Green			100
249-8071-3733-504F	Yellow			150
249-4168-3734-504F	Blue			10
249-7872-3731-504F	Red	28	20	170
249-7972-3732-504F	Green			100
249-8072-3733-504F	Yellow			150

### Cylindrical Lens

Dialight P/N	Color	Voltage (VDC)*	Current (mA)	Typical Intensity (mcd)
249-4162-3334-504F	Blue	3.5**	10	700
249-7867-3331-504F	Red	3.6	20	55
249-7967-3332-504F	Green			40
249-8067-3333-504F	Yellow			75
249-4164-3334-504F	Blue			10
249-7868-3331-504F	Red	5	20	55
249-7968-3332-504F	Green			40
249-8068-3333-504F	Yellow			75
249-4166-3334-504F	Blue			10
249-7870-3331-504F	Red	10	20	55
249-7970-3332-504F	Green			40
249-8070-3333-504F	Yellow			75
249-4167-3334-504F	Blue			10
249-7871-3331-504F	Red	14	20	55
249-7971-3332-504F	Green			40
249-8071-3333-504F	Yellow			75
249-4168-3334-504F	Blue			10
249-7872-3331-504F	Red	28	20	55
249-7972-3332-504F	Green			40
249-8072-3333-504F	Yellow			75

\*Dialight recommends tolerance of 5% of specified voltage range.

\*\*VF typical — Requires current limiting resistor

Dialight reserves the right to make changes at any time in order to supply the best product possible. The most current version of this document will always be available at: [www.dialightsignalsandcomponents.com](http://www.dialightsignalsandcomponents.com)

Warranty Statement: Except for the warranty expressly provided for [herein/above/below], Dialight disclaims any and all other warranties, express or implied, including, without limitation, any warranties of merchantability, fitness for a particular purpose, title, and noninfringement.



## Certifications & Ratings

- UL 1598 (E156890)
- IP66
- NEMA 4X
- RoHS Compliant w/6C exemption
- IK07

## Application

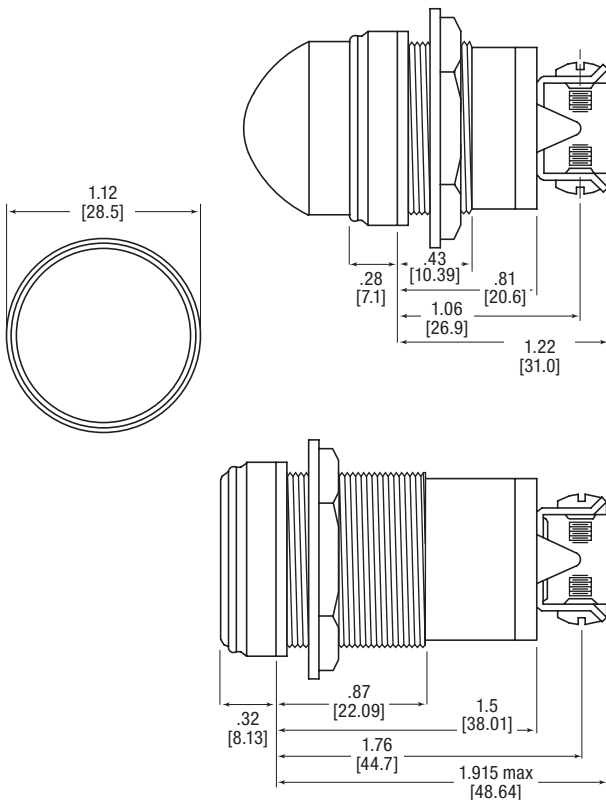
The 556 Series LED Panel Mount Indicators incorporate both InGaN and AlInGaP technologies to offer maximum light output. This is a highly durable package, designed to withstand outdoor applications susceptible to rain, dust and sunlight:

- Instrument panels
- Safety applications
- Transportation: rail, bus, airline
- Vending, gaming
- Lane control
- Display lighting

... and many more!

## Dimensions

inches [mm]



## Mechanical information

- Mounting Hole Size:** 1.0" (25.4 mm)  
**Max Panel Thickness:** Flat: 0.600" (15.24 mm)  
 Dome: 0.187" (4.27 mm)  
**Mounting Torque:** 40 in-lbs

## Specifications

- Voltage Options:** 12 to 125 VDC, and 125, 230 VAC (no resistor required)  
**Operating Temp:** -30 °C to +85 °C (-22 °F to +185 °F)  
**Storage Temp:** -40 °C to +100 °C (-40 °F to +212 °F)  
**Electrical Connection:** 6-32 screw terminals  
**Housing:** Brass—White or Black Nickel Plated  
**Terminals:** Brass — Hot solder dip per Mil-F-14072D, M258, Type II  
**Lens Material:** Transparent Polycarbonate (UL 94V-0)  
**Lock Washer:** Phosphor Bronze — White or Black Nickel Plated  
**Nut:** Brass—White or Black Nickel Plated



**Ordering Information**  
**556 Series — Standard, Flat Lens**

**Part Number Guide 556 Series**

RoHS Compliant

5	5	6	-	X	X	X	X	-	X	0	4	F
<b>Lens Style</b>							<b>Voltage</b>					
Flat	1	<b>Color</b>										
Domed	3	○ White	0	0			3	12VDC	<b>Plating</b>			
		● Red	5	0			4	24VDC	2 Black			
		● Green	6	0			8	37.5VDC	3 White			
		● Cyan	6	8			6	72VDC				
		● Yellow	7	0			7	125VDC*				
		● Blue	8	0			5	125VAC*				
		● Orange	9	0			9	230VDC*				
							<i>*white nickel only</i>					

**Flat Lens**

White Nickel	Black Nickel	Color	Voltage	Typ Current (mA)	Typical Intensity (mcd)
556-1003-304F	556-1003-204F	○ White	12 VDC	60	61,000
556-1503-304F	556-1503-204F	● Red		95	22,000
556-1603-304F	556-1603-204F	● Green		60	41,500
556-1683-304F	556-1683-204F	● Cyan		60	37,000
556-1703-304F	556-1703-204F	● Yellow		95	13,500
556-1803-304F	556-1803-204F	● Blue		60	13,000
556-1903-304F	556-1903-204F	● Orange		95	11,500
556-1004-304F	556-1004-204F	○ White	24 VDC	32	61,000
556-1504-304F	556-1504-204F	● Red		46	22,000
556-1604-304F	556-1604-204F	● Green		32	41,500
556-1684-304F	556-1684-204F	● Cyan		32	37,000
556-1704-304F	556-1704-204F	● Yellow		46	13,500
556-1804-304F	556-1804-204F	● Blue		32	13,000
556-1904-304F	556-1904-204F	● Orange		46	11,500
556-1508-304F	556-1508-204F	● Red	37.5 VDC	20	14,000
556-1608-304F	556-1608-204F	● Green		16	54,000
556-1708-304F	556-1708-204F	● Yellow		20	12,750
556-1506-304F	556-1506-204F	● Red	72 VDC	18.5	15,000
556-1606-304F	556-1606-204F	● Green		16	45,500
556-1706-304F	556-1706-204F	● Yellow		20	9,000
556-1806-304F	556-1806-204F	● Blue	18.5	15,000	
556-1007-304F	—	○ White	125 VDC	10.5	36,000
556-1507-304F	—	● Red		10	8,000
556-1607-304F	—	● Green		10	27,000
556-1707-304F	—	● Yellow		5,750	
556-1005-304F	—	○ White	125 VAC	11	35,000
556-1505-304F	—	● Red		10.5	8,000
556-1605-304F	—	● Green		9.5	29,000
556-1685-304F	—	● Cyan		9.5	24,750
556-1705-304F	—	● Yellow		10.5	5,750
556-1805-304F	—	● Blue		9.5	7,750
556-1905-304F	—	● Orange		10.5	6,000
556-1009-304F	—	○ White	230 VAC	6	35,000
556-1509-304F	—	● Red		7	8,000
556-1609-304F	—	● Green		7	29,000
556-1709-304F	—	● Yellow		7	5,750
556-1809-304F	—	● Blue		7	7,750
556-1909-304F	—	● Orange	7	6,000	





## Ordering Information

### 556 Series — Standard, Domed Lens

#### Domed Lens

White Nickel	Black Nickel	Color	Voltage	Typ Current (mA)	Typical Intensity (mcd)
556-3003-304F	556-3003-204F	○ White	12 VDC	60	17,000
556-3503-304F	556-3503-204F	● Red		95	14,000
556-3603-304F	556-3603-204F	● Green		60	14,000
556-3683-304F	556-3683-204F	● Cyan		60	11,500
556-3703-304F	556-3703-204F	● Yellow		95	4,000
556-3803-304F	556-3803-204F	● Blue		60	12,000
556-3903-304F	556-3903-204F	● Orange		95	3,500
556-3004-304F	556-3004-204F	○ White		24 VDC	32
556-3504-304F	556-3504-204F	● Red	46		14,000
556-3604-304F	556-3604-204F	● Green	32		14,000
556-3684-304F	556-3684-204F	● Cyan	32		11,500
556-3704-304F	556-3704-204F	● Yellow	46		4,000
556-3804-304F	556-3804-204F	● Blue	32		12,000
556-3904-304F	556-3904-204F	● Orange	46		3,500
556-3508-304F	556-3508-204F	● Red	37.5 VDC		20
556-3608-304F	556-3608-204F	● Green		16	15,750
556-3708-304F	556-3708-204F	● Yellow		20	3,250
556-3506-304F	556-3506-204F	● Red	72 VDC	18.5	4,200
556-3606-304F	556-3606-204F	● Green		16	14,250
556-3706-304F	556-3706-204F	● Yellow		20	2,600
556-3806-304F	556-3806-204F	● Blue		18.5	4,500
556-3007-304F	—	○ White	125 VDC	10.5	10,250
556-3507-304F	—	● Red			2,500
556-3607-304F	—	● Green		10	8,250
556-3707-304F	—	● Yellow			1,500
556-3005-304F	—	○ White	125 VAC	11	10,250
556-3505-304F	—	● Red		10.5	2,500
556-3605-304F	—	● Green		9.5	9,500
556-3685-304F	—	● Cyan		9.5	6,500
556-3705-304F	—	● Yellow		10.5	1,750
556-3805-304F	—	● Blue		9.5	3,000
556-3905-304F	—	● Orange		10.5	1,750
556-3009-304F	—	○ White		230 VAC	6
556-3509-304F	—	● Red			2,500
556-3609-304F	—	● Green			9,500
556-3709-304F	—	● Yellow	7		1,750
556-3809-304F	—	● Blue			3,000
556-3909-304F	—	● Orange			1,750

Dialight reserves the right to make changes at any time in order to supply the best product possible. The most current version of this document will always be available at: [www.dialightsignalsandcomponents.com](http://www.dialightsignalsandcomponents.com)

Warranty Statement: Except for the warranty expressly provided for [herein/above/below], Dialight disclaims any and all other warranties, express or implied, including, without limitation, any warranties of merchantability, fitness for a particular purpose, title, and noninfringement.



### Certifications & Ratings

- IP66
- NEMA 4X
- RoHS Compliant w/6C exemption
- IK07

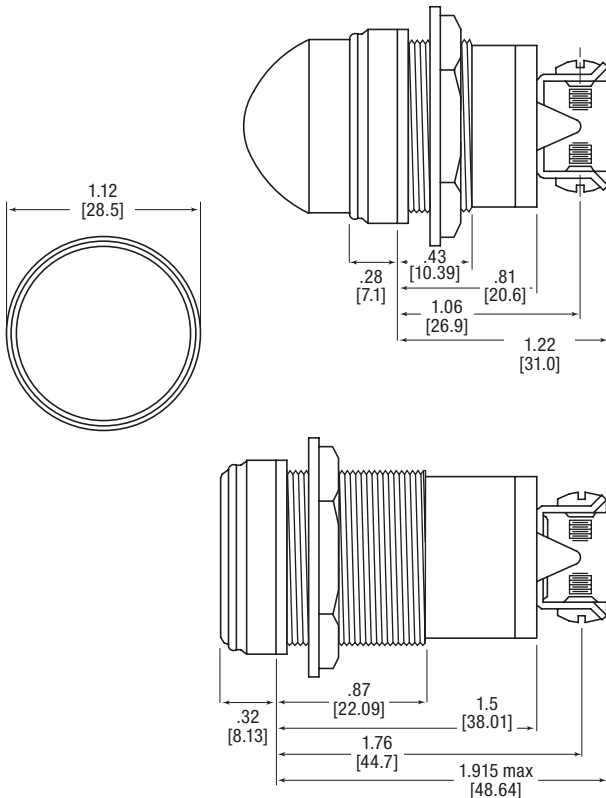
### Application

The 556 Series LED Panel Mount Indicators incorporate both InGaN and AlInGaP technologies to offer maximum light output. This is a highly durable package, designed to withstand outdoor applications susceptible to rain, dust and sunlight:

- Instrument panels
- Safety applications
- Transportation: rail, bus, airline
- Vending, gaming
- Lane control
- Display lighting
- ... and many more!

### Dimensions

inches [mm]



### Mechanical information

**Mounting Hole Size:** 1.0" (25.4 mm)  
**Max Panel Thickness:** Flat: 0.600" (15.24 mm)  
 Dome: 0.187" (4.27 mm)

**Mounting Torque:** 40 in-lbs

### Specifications

**Voltage Options:** 18–48VDC  
 (internal resistor included)

**Operating Temp:** -30 °C to +85 °C (-22 °F to +185 °F)

**Storage Temp:** -40 °C to +100 °C (-40 °F to +212 °F)

**Electrical Connection:** 6-32 screw terminals

**Housing:** Brass—White or Black Nickel Plated

**Terminals:** Brass — Hot solder dip  
 per Mil-F-14072D, M258, Type II

**Lens Material:** Transparent Polycarbonate (UL 94V-0)

**Lock Washer:** Phosphor Bronze — White or Black  
 Nickel Plated

**Nut:** Brass—White or Black Nickel Plated

## Ordering Information

### 556 Series — Standard Constant Intensity

**Part Number Guide 556 Series** *RoHS Compliant*

5 5 6 - X X X A - X 0 4 F

<b>Lens Style</b>		<b>Color</b>		<b>Voltage</b>	<b>Plating</b>
Flat	1	Red	5 0	A 18–48 VDC	
Domed	3	Green	6 0		
		Yellow	7 0		
					2 Black
					3 White

#### Flat Lens

#### Domed Lens

White Nickel Plating	Black Nickel Plating	White Nickel Plating	Black Nickel Plating	Color	Voltage (VDC)	Typ Current (mA)	Typical Intensity (mcd)
556-150A-304F	556-150A-204F	556-350A-304F	556-350A-204F	Red	18–48	7.3–8.2	1470–1500
556-160A-304F	556-160A-204F	556-360A-304F	556-360A-204F	Green		6.5–7.4	200–230
556-170A-304F	556-170A-204F	556-370A-304F	556-370A-204F	Yellow		8.0–8.9	630–660

Dialight reserves the right to make changes at any time in order to supply the best product possible. The most current version of this document will always be available at: [www.dialightsignalsandcomponents.com](http://www.dialightsignalsandcomponents.com)

**Warranty Statement:** Except for the warranty expressly provided for [herein/above/below], Dialight disclaims any and all other warranties, express or implied, including, without limitation, any warranties of merchantability, fitness for a particular purpose, title, and noninfringement.



## Certifications & Ratings

- UL 1598 (E156890)
- IP66
- NEMA 4X
- RoHS Compliant w/6C exemption
- IK07

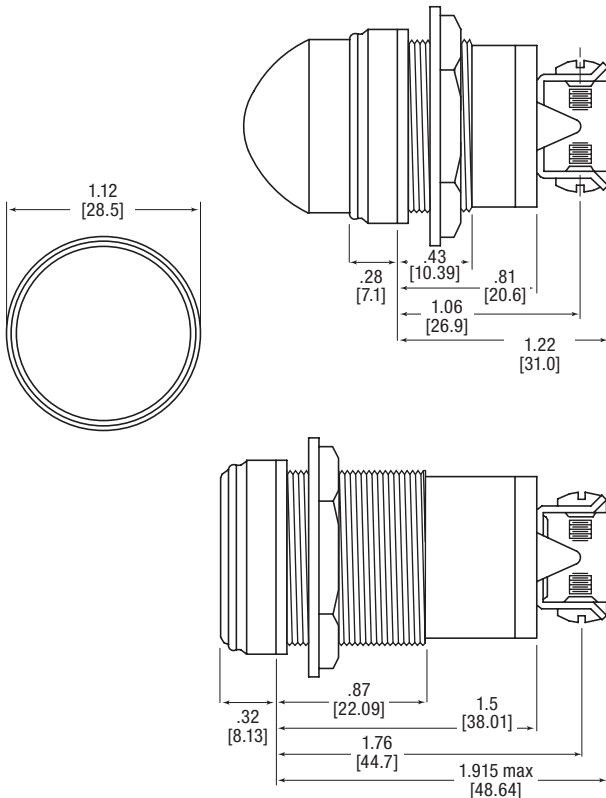
## Application

The 556 Series LED Panel Mount Indicators incorporate both InGaN and AlInGaP technologies to offer maximum light output. This is a highly durable package, designed to withstand outdoor applications susceptible to rain, dust and sunlight. In addition, the Class I, Division 2 rating allows for use in hazardous environments common to the oil and gas, mining, and chemical industries:

- Instrument panels
  - Safety applications
  - UL 508 panel applications
  - Petrochemical applications
  - Environmental Monitoring Equipment specifications
  - Pump system controllers
  - Mining application
  - Oil Refineries
  - Agricultural controls
  - Power generators
- ... and many more!

## Dimensions

inches [mm]



## Mechanical information

**Mounting Hole Size:** 1.0" (25.4 mm)

**Max Panel Thickness:** Flat: 0.600" (15.24 mm)  
Dome: 0.187" (4.27 mm)

**Mounting Torque:** 40 in-lbs

## Specifications

**Voltage Options:** 12 to 125VDC, and 125, 230VAC (no resistor required)

**Operating Temp:** -30°C to +85°C (-22°F to +185°F)

**Storage Temp:** -40°C to +100°C (-40°F to +212°F)

**Electrical Connection:** 6-32 screw terminals

**Housing:** Brass—White or Black Nickel Plated

**Terminals:** Brass — Hot solder dip per Mil-F-14072D, M258, Type II

**Lens Material:** Transparent Polycarbonate (UL 94V-0)

**Lock Washer:** Phosphor Bronze — White or Black Nickel Plated

**Nut:** Brass—White or Black Nickel Plated

### Ordering Information

## 556 Series – Class 1, Div 2, Flat Lens

### Part Number Guide 556 Series

RoHS Compliant

5	5	6	-	X	X	X	X	-	X	2	4	F
Lens Style			Color				Voltage		Plating			
Flat	1					3	12 VDC					
Domed	3	○ White	0	0	4	24 VDC						
		● Red	5	0	8	37.5 VDC						
		● Green	6	0	6	72 VDC	2 Black					
		● Cyan	6	8	7	125 VDC*	3 White					
		● Yellow	7	0	5	125 VAC*						
		● Blue	8	0	9	230 VDC*						
		● Orange	9	0			*white nickel only					

### Flat Lens

White Nickel	Black Nickel	Color	Voltage	Typ Current (mA)	Typical Intensity (mcd)
556-1003-324F	556-1003-224F	○ White	12 VDC	60	61,000
556-1503-324F	556-1503-224F	● Red		95	22,000
556-1603-324F	556-1603-224F	● Green		60	41,500
556-1683-324F	556-1683-224F	● Cyan		60	37,000
556-1703-324F	556-1703-224F	● Yellow		95	13,500
556-1803-324F	556-1803-224F	● Blue		60	13,000
556-1903-324F	556-1903-224F	● Orange		95	11,500
556-1004-324F	556-1004-224F	○ White	24 VDC	32	61,000
556-1504-324F	556-1504-224F	● Red		46	22,000
556-1604-324F	556-1604-224F	● Green		32	41,500
556-1684-324F	556-1684-224F	● Cyan		32	37,000
556-1704-324F	556-1704-224F	● Yellow		46	13,500
556-1804-324F	556-1804-224F	● Blue		32	13,000
556-1904-324F	556-1904-224F	● Orange	46	11,500	
556-1508-324F	556-1508-224F	● Red	37.5 VDC	20	14,000
556-1608-324F	556-1608-224F	● Green		16	54,000
556-1708-324F	556-1708-224F	● Yellow		20	12,750
556-1006-324F	556-1006-224F	○ White	72 VDC	18.5	15,000
556-1506-324F	556-1506-224F	● Red		18.5	45,500
556-1606-324F	556-1606-224F	● Green		16	9,000
556-1706-324F	556-1706-224F	● Yellow		20	15,000
556-1806-324F	556-1806-224F	● Blue	18.5	36,000	
556-1007-324F	—	○ White	125 VDC	10.5	8,000
556-1507-324F	—	● Red		10	27,000
556-1607-324F	—	● Green		10	5,750
556-1707-324F	—	● Yellow	10	35,000	
556-1005-324F	—	○ White	125 VAC	11	8,000
556-1505-324F	—	● Red		10.5	29,000
556-1605-324F	—	● Green		9.5	24,750
556-1685-324F	—	● Cyan		9.5	5,750
556-1705-324F	—	● Yellow		10.5	7,750
556-1805-324F	—	● Blue		9.5	6,000
556-1905-324F	—	● Orange	10.5	35,000	
556-1009-324F	—	○ White	230 VAC	6	8,000
556-1509-324F	—	● Red		7	29,000
556-1609-324F	—	● Green		7	5,750
556-1709-324F	—	● Yellow		7	7,750
556-1809-324F	—	● Blue		7	6,000
556-1909-324F	—	● Orange	7	3100	



## Ordering Information

### 556 Series — Class 1, Div 2, Domed Lens

#### Domed Lens

White Nickel	Black Nickel	Color	Voltage	Typ Current (mA)	Typical Intensity (mcd)
556-3003-324F	556-3003-224F	○ White	12 VDC	60	17,000
556-3503-324F	556-3503-224F	● Red		95	14,000
556-3603-324F	556-3603-224F	● Green		60	14,000
556-3683-324F	556-3683-224F	● Cyan		60	11,500
556-3703-324F	556-3703-224F	● Yellow		95	4,000
556-3803-324F	556-3803-224F	● Blue		60	12,000
556-3903-324F	556-3903-224F	● Orange		95	3,500
556-3004-324F	556-3004-224F	○ White	24 VDC	32	17,000
556-3504-324F	556-3504-224F	● Red		46	14,000
556-3604-324F	556-3604-224F	● Green		32	14,000
556-3684-324F	556-3684-224F	● Cyan		32	11,500
556-3704-324F	556-3704-224F	● Yellow		46	4,000
556-3804-324F	556-3804-224F	● Blue		32	12,000
556-3904-324F	556-3904-224F	● Orange		46	3,500
556-3508-324F	556-3508-224F	● Red	37.5 VDC	20	4,750
556-3608-324F	556-3608-224F	● Green		16	15,750
556-3708-324F	556-3708-224F	● Yellow		20	3,250
556-3006-324F	556-3006-224F	○ White	72 VDC	18.5	4,200
556-3506-324F	556-3506-224F	● Red		18.5	14,250
556-3606-324F	556-3606-224F	● Green		16	2,600
556-3706-324F	556-3706-224F	● Yellow		20	4,500
556-3806-324F	556-3806-224F	● Blue		18.5	10,250
556-3007-324F	—	○ White	125 VDC	10.5	2,500
556-3507-324F	—	● Red		10	8,250
556-3607-324F	—	● Green		10	1,500
556-3707-324F	—	● Yellow		10	10,250
556-3005-324F	—	○ White	125 VAC	11	2,500
556-3505-324F	—	● Red		10.5	9,500
556-3605-324F	—	● Green		9.5	6,500
556-3685-324F	—	● Cyan		9.5	1,750
556-3705-324F	—	● Yellow		10.5	3,000
556-3805-324F	—	● Blue		9.5	1,750
556-3905-324F	—	● Orange		10.5	10,250
556-3009-324F	—	○ White	230 VAC	6	2,500
556-3509-324F	—	● Red		7	9,500
556-3609-324F	—	● Green		7	1,750
556-3709-324F	—	● Yellow		7	3,000
556-3809-324F	—	● Blue		7	1,750
556-3909-324F	—	● Orange		7	3100

Dialight reserves the right to make changes at any time in order to supply the best product possible. The most current version of this document will always be available at: [www.dialightsignalsandcomponents.com](http://www.dialightsignalsandcomponents.com)

**Warranty Statement:** Except for the warranty expressly provided for [herein/above/below], Dialight disclaims any and all other warranties, express or implied, including, without limitation, any warranties of merchantability, fitness for a particular purpose, title, and noninfringement.



### Certifications & Ratings

- UL 1598 (E156890)
- IP66
- NEMA 4X
- RoHS Compliant w/ 6C exemption

### Application

The 556 Series LED Panel Mount Indicators incorporate both InGaN and AlInGaP technologies to offer maximum light output. This is a highly durable package, designed to withstand outdoor applications susceptible to rain, dust and sunlight:

- Instrument panels
- Safety applications
- UL 508 panel applications
- Agricultural controls
- Power Generators
- Environmental Monitoring Equipment
- Ground support vehicles
- Pump system controllers
- Transportation - rail, bus, airline
- Lane control
- Display lighting
- ...and many more!

### Mechanical information

**Mounting Hole Size:** 1.0" (25.4 mm)

**Max Panel Thickness:** 0.600" (15.24 mm)

**Mounting Torque:** 40 in-lbs

### Specifications

**Voltage Options:** 12 to 125VDC, and 125, 230VAC (no resistor required)

**Operating Temp:** -30 °C to +85 °C (-22 °F to +185 °F)

**Storage Temp:** -40 °C to +100 °C (-40 °F to +212 °F)

**Electrical Connection:** 6-32 screw terminals

**Housing:** Brass—White or Black Nickel Plated

**Terminals:** Brass — Hot solder dip per Mil-F-14072D, M258, Type II

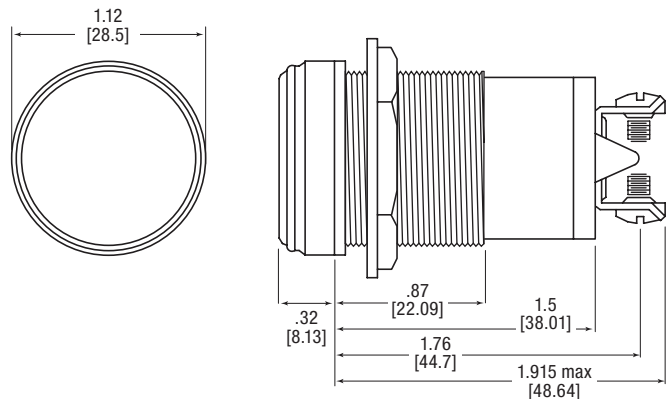
**Lens Material:** Clear UV Stabilized Polycarbonate (UL 94V-0)

**Lock Washer:** Phosphor Bronze — White or Black Nickel Plated

**Nut:** Brass—White or Black Nickel Plated

### Dimensions

inches [mm]



## Ordering Information

### 556 Series — Daylight Viewable

#### Part Number Guide 556 Series

RoHS Compliant

5	5	6	-	1	X	X	X	-	X	1	4	F
				<b>Color</b>		<b>Voltage</b>						
						3	12VDC					
				● Red		5	0	4	24VDC	<b>Plating</b>		
				● Green		6	0	8	37.5VDC	2 Black		
				● Cyan		6	8	6	72VDC	3 White		
				● Yellow		7	0	7	125VDC*			
				● Blue		8	0	5	125VAC*			
				● Orange		9	0	9	230VDC*	*white nickel only		

White Nickel	Black Nickel	Color	Voltage	Typ Current (mA)	Typical Intensity (mcd)
556-1503-314F	556-1503-214F	● Red	12 VDC	95	27,250
556-1603-314F	556-1603-214F	● Green		60	71,500
556-1683-314F	556-1683-214F	● Cyan		60	48,250
556-1703-314F	556-1703-214F	● Yellow		95	17,500
556-1803-314F	556-1803-214F	● Blue		60	24,000
556-1903-314F	556-1903-214F	● Orange		95	22,250
556-1504-314F	556-1504-214F	● Red	24 VDC	46	27,250
556-1604-314F	556-1604-214F	● Green		32	71,500
556-1684-314F	556-1684-214F	● Cyan		32	48,250
556-1704-314F	556-1704-214F	● Yellow		46	17,500
556-1804-314F	556-1804-214F	● Blue		32	24,000
556-1904-314F	556-1904-214F	● Orange		46	22,250
556-1508-314F	556-1508-214F	● Red	37.5 VDC	20	26,750
556-1608-314F	556-1608-214F	● Green		16	80,000
556-1708-314F	556-1708-214F	● Yellow		20	18,000
556-1506-314F	556-1506-214F	● Red	72 VDC	18.5	20,500
556-1606-314F	556-1606-214F	● Green		16	65,500
556-1706-314F	556-1706-214F	● Yellow	20	15,000	
556-1507-314F	—	● Red	125 VDC	10	14,000
556-1607-314F	—	● Green			44,750
556-1707-314F	—	● Yellow			8,250
556-1505-314F	—	● Red	125 VAC	10.5	13,500
556-1605-314F	—	● Green		9.5	43,750
556-1685-314F	—	● Cyan		9.5	32,000
556-1705-314F	—	● Yellow		10.5	9,000
556-1805-314F	—	● Blue		9.5	16,000
556-1905-314F	—	● Orange		10.5	11,000
556-1509-314F	—	● Red		230 VAC	7
556-1609-314F	—	● Green	43,750		
556-1709-314F	—	● Yellow	9,000		
556-1809-314F	—	● Blue	16,000		
556-1909-314F	—	● Orange	11,000		

Dialight reserves the right to make changes at any time in order to supply the best product possible. The most current version of this document will always be available at: [www.dialightsignalsandcomponents.com](http://www.dialightsignalsandcomponents.com)

**Warranty Statement:** Except for the warranty expressly provided for [herein/above/below], Dialight disclaims any and all other warranties, express or implied, including, without limitation, any warranties of merchantability, fitness for a particular purpose, title, and noninfringement.





### Certifications & Ratings

- IP66
- NEMA 4X
- RoHS Compliant w/6C exemption

### Application

The 556 Series LED Panel Mount Indicators incorporate both InGaN and AlInGaP technologies to offer maximum light output. This is a highly durable package, designed to withstand outdoor applications susceptible to rain, dust and sunlight:

- Instrument panels
  - Safety applications
  - UL 508 panel applications
  - Agricultural controls
  - Power Generators
  - Environmental Monitoring Equipment
  - Ground support vehicles
  - Pump system controllers
  - Transportation - rail, bus, airline
  - Lane control
  - Display lighting
- ...and many more!

### Mechanical information

**Mounting Hole Size:** 1.0" (25.4 mm)  
**Max Panel Thickness:** 0.600" (15.24 mm)  
**Mounting Torque:** 40 in-lbs

### Specifications

**Voltage Options:** 18–48 VDC  
(internal resistor included)

**Operating Temp:** -30 °C to +85 °C (-22 °F to +185 °F)  
**Storage Temp:** -40 °C to +100 °C (-40 °F to +212 °F)

**Electrical Connection:** 6-32 screw terminals

**Housing:** Brass—White or Black Nickel Plated

**Terminals:** Brass — Hot solder dip  
per Mil-F-14072D, M258, Type II

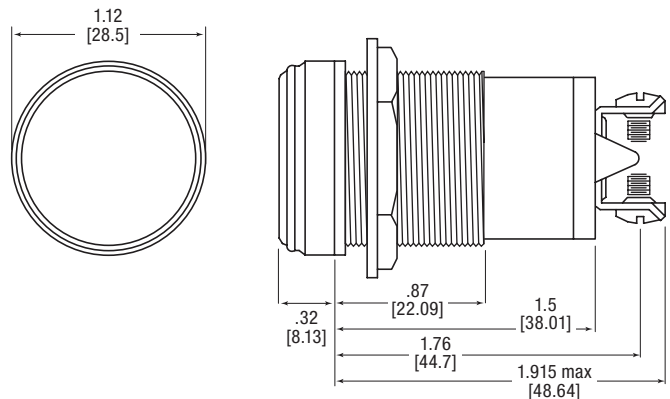
**Lens Material:** Clear UV Stabilized Polycarbonate  
(UL 94V-0)

**Lock Washer:** Phosphor Bronze — White or Black  
Nickel Plated

**Nut:** Brass—White or Black Nickel Plated

### Dimensions

inches [mm]



## Ordering Information

### 556 Series – Daylight Viewable Constant Intensity

**Part Number Guide 556 Series** *RoHS Compliant*

5 5 6 - 1 X X A - X 1 4 F

Color	5	6
Red	5	0
Green	6	0
Yellow	7	0

**Voltage**  
A 18–48 VDC

**Plating**  
2 Black  
3 White

White Nickel	Black Nickel	Color	Voltage (VDC)	Typ Current (mA)	Typical Intensity (mcd)
556-150A-314F	556-150A-214F	Red	18–48	7.3–8.2	1470–1500
556-160A-314F	556-160A-214F	Green		6.5–7.4	200–230
556-170A-314F	556-170A-214F	Yellow		8.0–8.9	630–660

Dialight reserves the right to make changes at any time in order to supply the best product possible. The most current version of this document will always be available at: [www.dialightsignalsandcomponents.com](http://www.dialightsignalsandcomponents.com)

**Warranty Statement:** Except for the warranty expressly provided for [herein/above/below], Dialight disclaims any and all other warranties, express or implied, including, without limitation, any warranties of merchantability, fitness for a particular purpose, title, and noninfringement.



## Certifications & Ratings

- RoHS Compliant
- Watertight to Mil-L-3661B spec

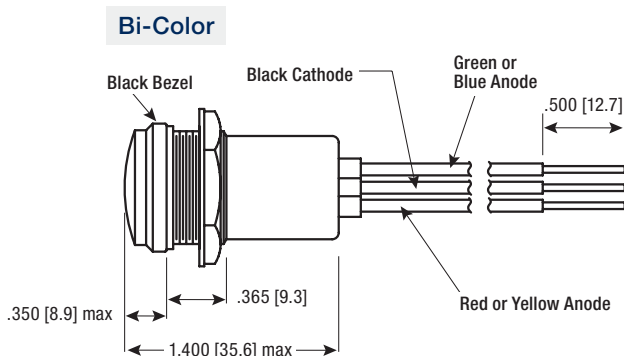
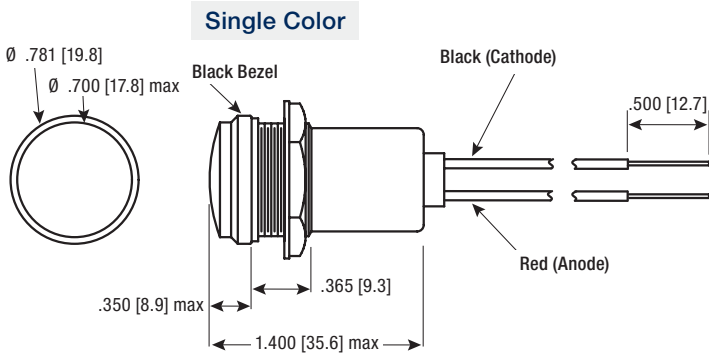
## Application

The 557 Series LED Panel Mount Indicators incorporate both InGaN and AlInGaP technologies to offer higher intensities. This is a highly durable package, designed to withstand outdoor applications susceptible to rain, dust, and sunlight.

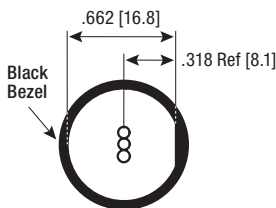
- Instrument panels
- Safety applications
- Transportation—rail, bus, airline
- Vending, gaming
- Lane control
- ... and many more!

## Dimensions

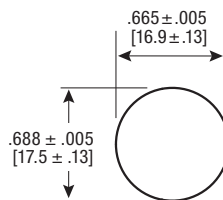
inches [mm]



### Back View of Housing



### Recommended Mounting Hole



## Mechanical information

**Mounting Hole Size:** 0.687" (17.46 mm)

**Max Panel Thickness:** 0.156" (3.96 mm)

**Mounting Torque:** 15 in-lbs torque

## Specifications

**Voltage Options:** 5, 12, 24, and 28VDC (bi-color: 5VDC)

**Operating Temp:** -25 °C to +85 °C  
(bi-color: -30 °C to +80 °C)

**Storage Temp:** -30 °C to +100 °C  
(bi-color: -40 °C to +85 °C)

**Electrical Connection:** 24 AWG Wire Leads

**Housing:** White Polycarbonate

**Lens Material:** Transparent Polycarbonate (UL 94V-0)

**Wire Leads:** 5.5"

**Lock Washer:** Phosphor Bronze—White Nickel Plated

**Nut:** Brass—White Nickel Plated

## Ordering Information 557 Series

Part Number Guide				RoHS Compliant	
5	5	7	-	1	X X X - 2 0 3 F
Color				Voltage	
○ White	0	0		2	5 v <sub>DC</sub>
● Red	5	0		3	12 v <sub>DC</sub> *
● Green	6	0		4	24 v <sub>DC</sub> *
● Yellow	7	0		5	28 v <sub>DC</sub> *
● Blue	8	0			
●● Red/Green	4	1			
●● Red/Blue	4	2			<i>*single color only</i>
●● Yellow/Green	4	3			
●● Yellow/Blue	4	4			
●● Yellow/Red	4	5			

Part Number	Color	Voltage (V <sub>DC</sub> )	Current (mA)	Typical Intensity (mcd)	
557-1002-203F	○ White	5	16	5350	
557-1502-203F	● Red		80	800	
557-1602-203F	● Green		16	4900	
557-1702-203F	● Yellow		80	1550	
557-1802-203F	● Blue		16	1200	
557-1412-203F	●● Red/Green		70/16	720/1800	
557-1422-203F	●● Red/Blue		70/16	625/425	
557-1432-203F	●● Yellow/Green		70/16	585/1700	
557-1442-203F	●● Yellow/Blue		70/16	635/445	
557-1452-203F	●● Yellow/Red		70/20	650/350	
557-1003-203F	○ White		12	16	5350
557-1503-203F	● Red			20	800
557-1603-203F	● Green	16		4900	
557-1703-203F	● Yellow	20		1550	
557-1803-203F	● Blue	16		1200	
557-1005-203F	○ White	24		16	5350
557-1505-203F	● Red		20	800	
557-1605-203F	● Green		16	4900	
557-1705-203F	● Yellow		20	1550	
557-1805-203F	● Blue		16	1200	
557-1604-203F	● Green		28	16	4900
557-1704-203F	● Yellow	20		1550	
557-1804-203F	● Blue	16		1200	

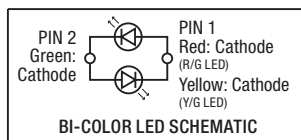
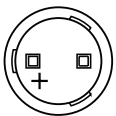
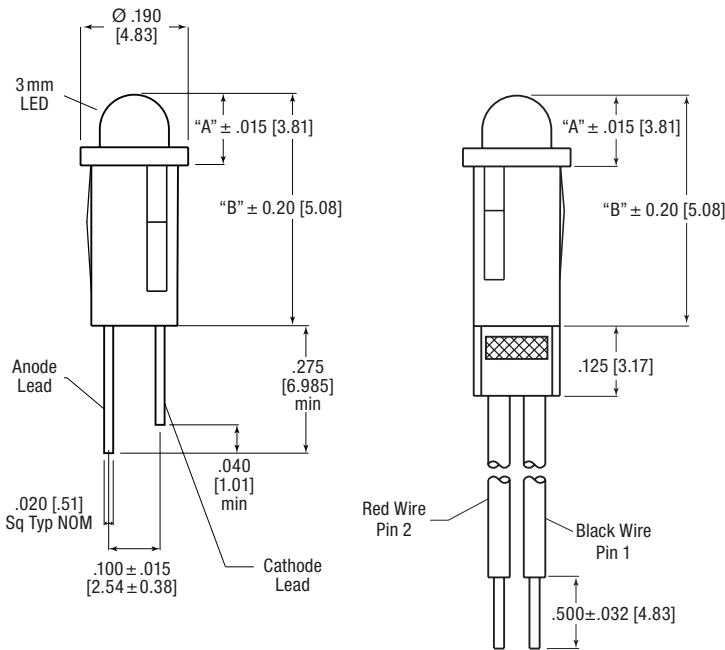
Dialight reserves the right to make changes at any time in order to supply the best product possible. The most current version of this document will always be available at: [www.dialightsignalsandcomponents.com](http://www.dialightsignalsandcomponents.com)

**Warranty Statement:** Except for the warranty expressly provided for [herein/above/below], Dialight disclaims any and all other warranties, express or implied, including, without limitation, any warranties of merchantability, fitness for a particular purpose, title, and noninfringement.



## Dimensions

inches [mm]



## Certifications & Ratings

- RoHS Compliant

## Application

Dialight's 558 series LED panel mount indicator is available with a variety of LEDs including AlInGaP and InGaN technology for high brightness applications, bi-color and integral resistors. These indicators are designed for a variety of applications such as:

- Fan tray assemblies
- Data center infrastructure (servers and storage)
- Networking equipment (switches and routers)
- Storage networking hardware (fiber channel host bus adapter cards)
- Next-Gen wireless infrastructure
- Electronic test & measurement instruments
- Communications testing equipment
- ... and many more!

## Mechanical information

**Mounting Hole Size:** 0.155 – 0.158" (3.94 – 4.01 mm)

**Max Panel Thickness:** 0.031 – 0.062" (.787 – 1.57 mm)

**Mounting Torque:** N/A

## Specifications

**Voltage Options:** 1.8 – 3.3VDC typical, 5VDC typical (resistor included)

**Operating Temp:** See table

**Storage Temp:** -55 °C to +100 °C (-67 °F to +212 °F)

**Electrical Connection:** Straight terminals for wire wrapping or 26 AWG lead wire

**Housing:** Valox UL94V-0 and enhances LED contrast

**Connectors:** Available upon request

**Possible Connectors:** Samtec IPD1-05-S-K

**Terminals:** Available upon request

**Possible Terminals:** Samtec CC79L-2630-01-S; AMP 1-104480-3



## Ordering Information 558 Series

### Part Number Guide

RoHS Compliant

5	5	8	-	X	X	X	X	-	0	X	X	F
									LED Code (see below)		Wire Code	
									Standard		0	
									PVC Free		2	
									Termination Code			
									Straight Terminals		1	
									26 AWG 6" wire leads		3	
									26 AWG 14" wire leads		7	

LED Code	Color	Peak Wavelength (nm)	Intensity Typ. (mcd)	If Typ. (mA)	Vf Typ. (VDC)	Viewing Angle	Max DC Forward Current (mA)	Type	Operating Temp	DIM "A"	DIM "B"
0102	● Red	635	29	12	5	60	15	5V Integral Resistor	-40°C to +85°C	0.101	0.381
0202	● Green	565	19	12	5	60	15				
0302	● Yellow	585	12.6	12	5	60	15				
3001	●● Red / Green	630 / 565	5.6 / 8.7 @ 10 mA	10 / 20	1.9 / 2.0 @ 20 mA	200	30 / 30	Bi-Color	-55°C to +100°C	0.101	0.381
3101	●● Red / Green	660 / 565	12.6 / 3.7	20	1.6 / 2.1	200	40 / 30				
3201	●● Yellow / Green	585 / 565	5.8 / 12.3	10	2.1 / 2.1	80	20 / 30				
0101	● Red	635	8.7	10	2	60	30	High Efficiency Diffused	-25°C to +85°C	0.111	0.391
0201	● Green	565	12.6	10	2.1	60	30				
0301	● Yellow	585	8.7	10	2.1	60	20		-55°C to +85°C	0.101	0.381
0401	● Orange	600	7	10	1.9	60	25				
1801	● Red	660	60	20	1.8	60	40	Low Current Diffused	-55°C to +100°C	0.107	0.387
0803	● Blue	468	57	10	3.2	100	30		-40°C to +100°C		
1101	● Red	635	2.4	2	1.7	60	7	Non-Tinted / Non-Diffused	-55°C to +100°C	0.101	0.381
1201	● Yellow	585	1.4	2	1.8	60	7		-40°C to +100°C		
1301	● Green	565	1.6	2	1.9	60	7		-40°C to +100°C		
0501	● Green	565	70	20	2.1	45	30	Tinted / Non-Diffused	-40°C to +100°C	0.101	0.381
0601	● Yellow	592	200	20	1.9	45	50		-40°C to +85°C		
0701	● Red	660	170	20	1.8	45	40		-40°C to +85°C		
6003	● Blue	468	520	20	3.3	45	30		-40°C to +85°C		
6403	○ White	Y=.31 Y=.32	3000	20	3.3	45	30	White Diffused	-45°C to +85°C	0.101	0.381
1501	● Green	565	40	10	2.1	45	30		-55°C to +100°C		
1601	● Yellow	585	70	20	2.1	45	20		-40°C to +100°C		
1701	● Red	660	170	20	1.8	45	40				
6203	● Green	518	85	2	2.1	100	30				

Dialight reserves the right to make changes at any time in order to supply the best product possible. The most current version of this document will always be available at: [www.dialightsignalsandcomponents.com](http://www.dialightsignalsandcomponents.com)

**Warranty Statement:** Except for the warranty expressly provided for [herein/above/below], Dialight disclaims any and all other warranties, express or implied, including, without limitation, any warranties of merchantability, fitness for a particular purpose, title, and noninfringement.



### Certifications & Ratings

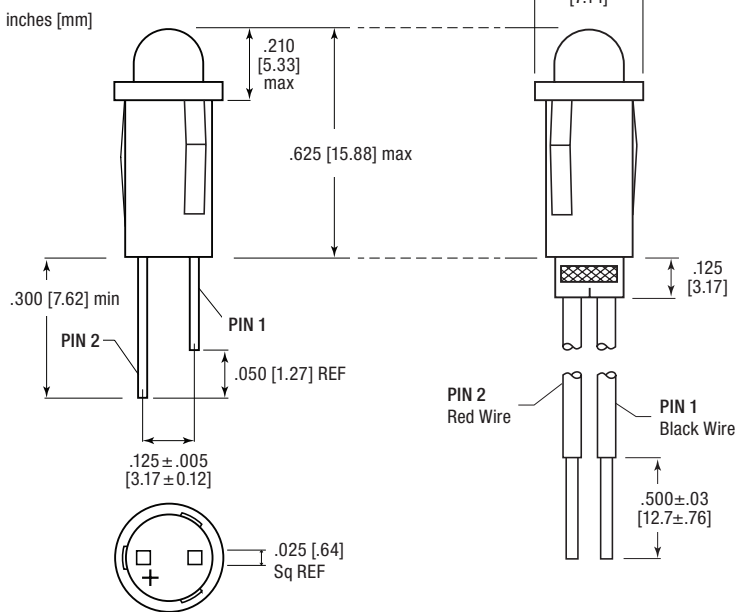
- RoHS compliant

### Application

Dialight's 559 series LED panel mount indicator is available with a variety of LEDs including AlInGaP and InGaN technology for high brightness applications, bicolor and integral resistors.

- Fan tray assemblies
- Data-center Infrastructure (Servers and Storage)
- Next-Gen Wireless Infrastructure
- Electronic Test & Measurement Instruments
- Communications Testing Equipment
- Hand held Devices
- ... and many more!

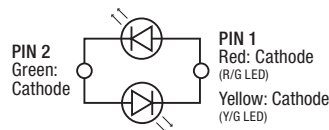
### Dimensions



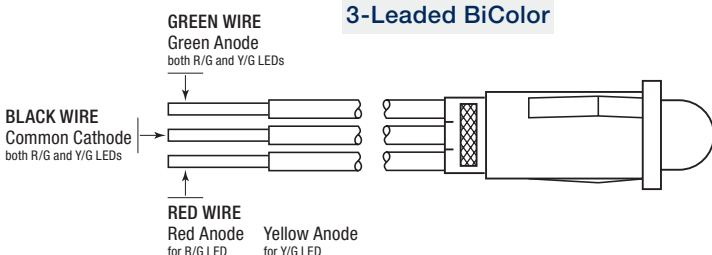
#### SINGLE COLOR LED SCHEMATIC



#### BICOLOR LED SCHEMATIC



#### 3-Leaded BiColor



### Mechanical Information

<b>Mounting Hole Size:</b>	0.249–0.252" (6.32–6.40 mm)
<b>Max Panel Thickness:</b>	0.031–0.062" (.787–1.57 mm)
<b>Mounting Torque:</b>	N/A

### Specifications

<b>Voltage Options:</b>	1.6–2.3 V DC typical (resistor required) 5, 12, 24V DC (no resistor required)
<b>Operating Temp:</b>	See table
<b>Storage Temp:</b>	-55 °C to +100 °C (-67 °F to +212 °F)
<b>Electrical Connection:</b>	Straight terminals for wire wrapping or 24 AWG lead wire
<b>Housing:</b>	Black — UL94V-0 and enhances LED contrast
<b>Wire Leads:</b>	6" or 14"
<b>Connectors:</b>	Available upon request
<b>Possible Connectors:</b>	Molex 50-57-9402 AMP 3-643814-3
<b>Terminals:</b>	Available upon request
<b>Possible Terminals:</b>	Molex 16-02-0069, 16-02-077, AMP 42067-1

## Ordering Information 559 Series

### Part Number Guide

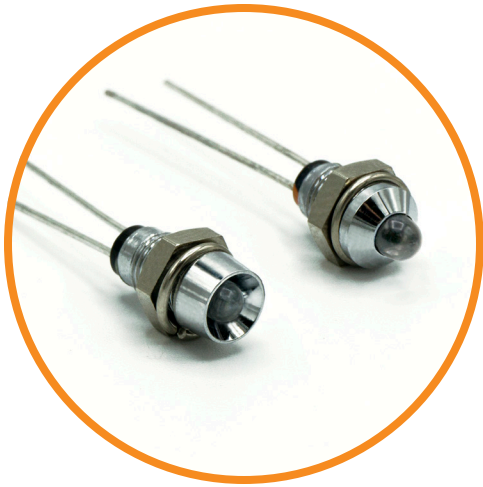
5	5	9	-	X	X	X	X	-	0	X	X	F
LED Code (see below)								Wire Code		Termination Code		
								Standard	0	Straight Terminals		1
								PVC Free	2	24 AWG 6" wire leads		3
										24 AWG 14" wire leads		7

LED Code	Color	Peak Wavelength (nm)	Intensity Typ. (mcd)	If Typ. (mA)	Vf Typ. (V DC)	Viewing Angle	Max DC Forward Current (mA)	Type	Operating Temp
5501	Red	635	125	20	2.2	24	30	Non-Tinted/ Non-Diffused	-55 °C to +100 °C
5601	Green	565	120		2.3	24	30		-20 °C to +100 °C
5701	Yellow	583	140		2.1	24	20		-55 °C to +100 °C
5801	Orange	605	90		2.2	20	50		-30 °C to +85 °C
5901	Yellow	592	3100		2	15	50		-40 °C to +100 °C
6001	Blue	470	1500		3.6	30	30		-30 °C to +85 °C
6101	Red	635	2100		1.9	15	50		-40 °C to +100 °C
6201	Green	525	5000		3.2	30	30		-30 °C to +85 °C
6301	Orange	609	4000		1.9	15	50		-40 °C to +100 °C
6401	White	X = .31 Y = .32	2500		3.2	50	30		-30 °C to +85 °C
1101	Red	635	2.3	2	1.7	50	7	Low Current Diffused	-55 °C to +100 °C
1201	Yellow	583	1.8		1.9	50	7		
1301	Green	565	1.8		1.8	50	7		
2101	Red	650	6.3	10	2.2	50	20	Diffused	-25 °C to +85 °C
2201	Green	563	10		2.1	65	25		
2301	Yellow	585	29		1.9	50	20		
2501	Orange	600	7		1.9	60	30		
5101	Red	650	34	20	2.1	50	25	Diffused	-55 °C to +100 °C
5201	Green	563	34		2.2	50	25		
5301	Yellow	585	34		2.2	50	25		
5401	Orange	610	34		2.2	50	25		
0102	Red	635	8	10	5	60	15	5V Integral Resistor	-40 °C to +85 °C
0202	Green	565	8	12	5	60	15		-20 °C to +85 °C
0302	Yellow	583	8	10	5	60	15		-40 °C to +85 °C
0103	Red	635	8	13	12	60	15	12V Integral Resistor	-55 °C to +100 °C
0203	Green	565	8		12	60	15		-20 °C to +85 °C
0303	Yellow	583	8		12	60	15		-40 °C to +85 °C
5904	Yellow	592	3100	20	24	15	50	24V Integral Resistor	-30 °C to +85 °C
6104	Red	635	2100		24	15	50		
6204	Green	525	5000		24	30	50		
3001	Red / Green	660 / 565	90 / 40	10	1.8 / 2.1	60	40 / 30	2 leaded Bi-color	-55 °C to +100 °C
3201	Yellow / Green	589 / 571	30 / 50		2.1 / 2.1	50	20		-30 °C to +85 °C
3501	Red / Green	635 / 565	5.0 / 8.0	10	2.1 / 2.3	65	30	3 leaded Bi-color	-20 °C to +85 °C
3601	Yellow / Green	590 / 568	9 / 13.5		2 / 2.1	65	30		

Dialight reserves the right to make changes at any time in order to supply the best product possible. The most current version of this document will always be available at: [www.dialightsignalsandcomponents.com](http://www.dialightsignalsandcomponents.com)

**Warranty Statement:** Except for the warranty expressly provided for [herein/above/below], Dialight disclaims any and all other warranties, express or implied, including, without limitation, any warranties of merchantability, fitness for a particular purpose, title, and noninfringement.





## Certifications & Ratings

- RoHS compliant

## Application

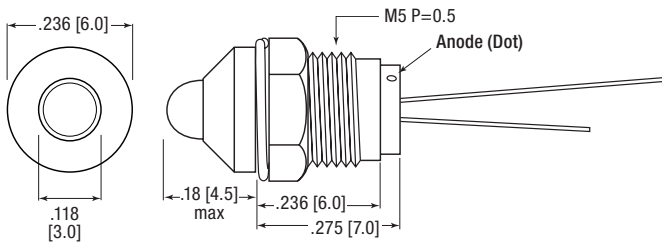
The 605 Series LED Panel Mount Indicators are designed for a variety of applications such as.

- Main power indication
  - Remote power indication
  - Status indication
  - Maintenance and warning indication
  - Instrumentation
- ... and many more!

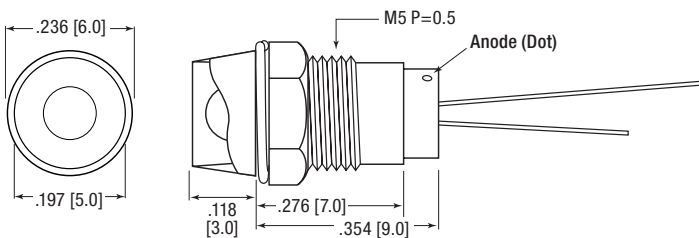
## Dimensions

inches [mm]

### Protruding



### Recessed



## Mechanical Information

- Mounting Hole Size:** 0.205" (5.2 mm)
- Max Panel Thickness:** 0.138" (3.5 mm)
- Mounting Torque:** 0.362 lbs/ft (5 kg/cm)

## Specifications

- Voltage Options:** 2 VDC (resistor required)
- Operating temp:** -25 °C to +85 °C (-13 °F to +185 °F)
- Storage Temp:** -25 °C to +100 °C (-13 °F to +212 °F)
- Electrical Connection:** Through hole leads
- Housing:** Brass—Chrome plated
- Terminals:** Copper—Nickel Plated
- Lock washer:** Iron—Nickel Plated
- Nut:** Brass—Nickel Plated

## Ordering Information 605 Series

Part Number	Color	Voltage (VDC)	Current (mA)	Typical Intensity (mcd)	LED Position	Finish
605-1111-110F	Red	2	15	60	Protruding	Chrome
605-1211-110F	Green			70		
605-1311-110F	Yellow			50		
605-2111-110F	Red			60	Recessed	
605-2211-110F	Green			70		
605-2311-110F	Yellow			50		

Dialight reserves the right to make changes at any time in order to supply the best product possible. The most current version of this document will always be available at: [www.dialightsignalsandcomponents.com](http://www.dialightsignalsandcomponents.com)

**Warranty Statement:** Except for the warranty expressly provided for [herein/above/below], Dialight disclaims any and all other warranties, express or implied, including, without limitation, any warranties of merchantability, fitness for a particular purpose, title, and noninfringement.





## Certifications & Ratings

- RoHS compliant

## Application

The 606 Series LED Panel Mount Indicators are designed for a variety of applications such as:

- Main power indication
  - Remote power indication
  - Status indication
  - Maintenance and warning indication
  - Instrumentation
- ... and many more!

## Dimensions

inches [mm]

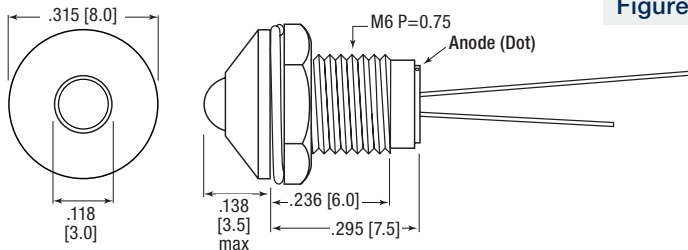


Figure 1

## Mechanical Information

- Mounting Hole Size:** 0.244" (6.2 mm)
- Max Panel Thickness:** 0.138" (3.5 mm)
- Mounting Torque:** 0.362 lbs/ft (5 kg/cm) torque

## Specifications

- Voltage Options:** 2 VDC (resistor required)  
6 and 12 VDC / bi-color (no resistor required)
- Operating temp:** -25 °C to +85 °C (-13 °F to +185 °F)
- Storage Temp:** -25 °C to +100 °C (-13 °F to +212 °F)
- Electrical Connection:** Through hole and 24 AWG wire leads (bi-color only)
- Housing:** Brass—Chrome Plated
- Terminals:** Copper—Nickel Plated
- Wire Leads:** 6" on bi-color only
- Lock washer:** Iron—Nickel Plated
- Nut:** Brass—Nickel Plated

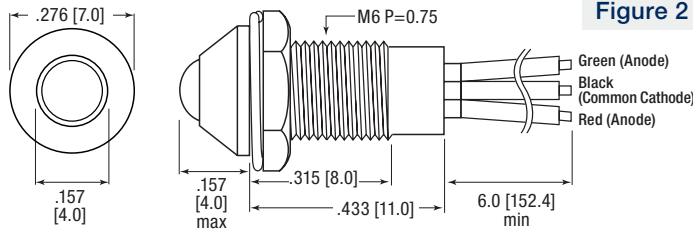


Figure 2

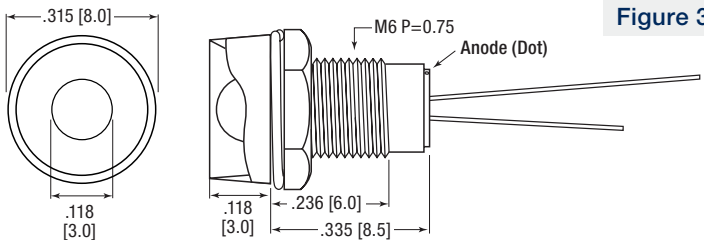


Figure 3

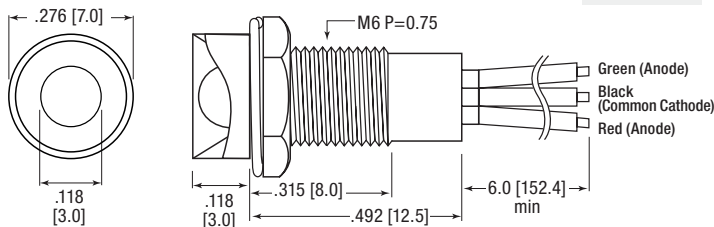


Figure 4

## Ordering Information 606 Series

Part Number	Color	Voltage (VDC)	Current (mA)	Typical Intensity* (mcd)	LED Position	Finish	Figure			
606-1111-110F	● Red	2	15	5	Protruding	Chrome	1			
606-1211-110F	● Green			70						
606-1311-110F	● Yellow			60						
606-1215-110F	● Green			70						
606-1415-110F	● Red/Green			40/50						
606-1415-120F	● Red/Green	6	10	40/50	Recess	Chrome	2			
606-1415-130F	● Red/Green	12		40/50						
606-2111-110F	● Red	2		5				45		
606-2211-110F	● Green		15					70		
606-2311-110F	● Yellow							60		
606-2415-110F	● Red/Green		40/50							
606-2415-120F	● Red/Green	6	10	40/50	Recess	Chrome	3			
606-2415-130F	● Red/Green	12		40/50						
606-2415-130F	● Red/Green	12	10	40/50				Recess	Chrome	4
606-2415-130F	● Red/Green	12		40/50						

\*Bi-color intensity (Red/Green)



## Certifications & Ratings

- RoHS compliant
- NEMA 4X (Watertight only)
- IP66 (Watertight only)

## Application

The 607 Series LED Panel Mount Indicators are designed for a variety of applications such as:

- Main power indication
- Remote power indication
- Status indication
- Maintenance and warning indication
- Instrumentation

... and many more!

## Dimensions

inches [mm]

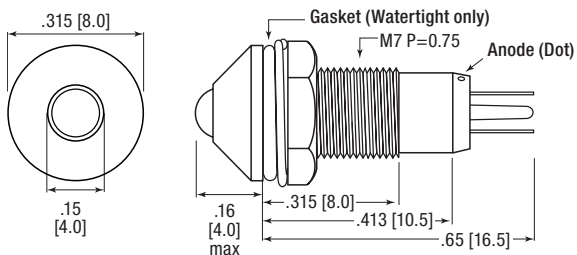


Figure 1

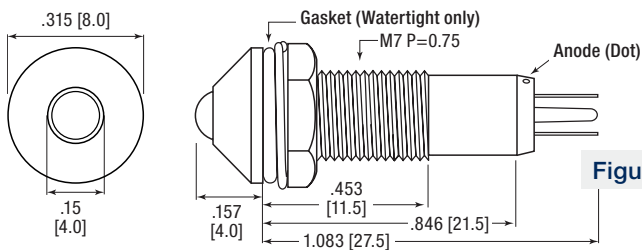


Figure 2

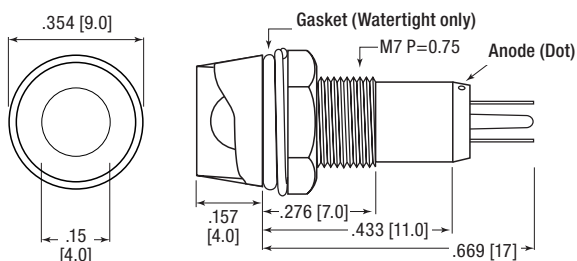


Figure 3

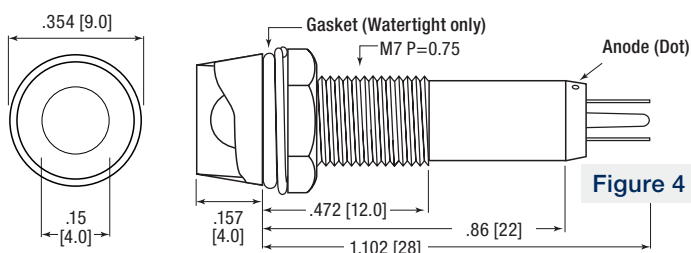


Figure 4

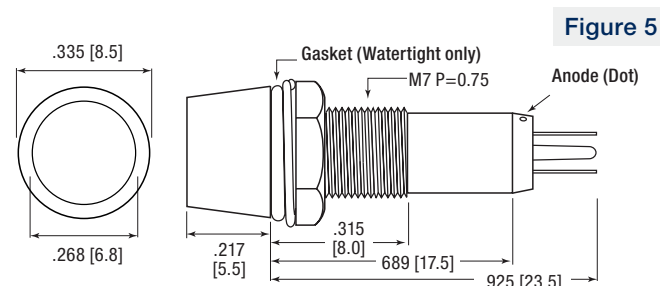


Figure 5

## Mechanical Information

<b>Mounting Hole Size:</b>	0.283" (7.2 mm)
<b>Max Panel Thickness:</b>	See part numbers
<b>Mounting Torque:</b>	0.362 lbs/ft (5 kg/cm) 0.217 lbs/ft or 3 kg/cm (Figure 5 only)

## Specifications

<b>Voltage Options:</b>	2 VDC (resistor required) 6, 12 & 24 VDC (no resistor required)
<b>Operating Temp:</b>	-30 °C to +85 °C (-22 °F to +185 °F)
<b>Storage Temp:</b>	-40 °C to +85 °C (-40 °F to +185 °F)
<b>Electrical Connection:</b>	Solder terminals
<b>Housing:</b>	Protruding & recessed positions: Brass—Chrome Plated Internal position: Polycarbonate
<b>Terminals:</b>	Copper—Nickel Plated
<b>Lock Washer:</b>	Iron—Nickel Plated
<b>Nut:</b>	Brass—Nickel Plated

## Ordering Information 607 Series

Standard		Watertight								
Part Number	Part Number	Color	Voltage (V DC)	Current (mA)	Intensity Typ. (mcd)	LED Positions	Figure	Panel Thickness		
607-1112-110F	607-1112-310F	● Red	2	15	40	Protruding	1	0.187" (4.75 mm)		
607-1212-110F	607-1212-310F	● Green			65					
607-1312-110F	607-1312-310F	● Yellow			55					
607-1112-120F	607-1112-320F	● Red	6		40		Recessed		2	0.265" (6.75 mm)
607-1212-120F	607-1212-320F	● Green			65					
607-1312-120F	607-1312-320F	● Yellow			55					
607-1112-130F	607-1112-330F	● Red	12		40	Internal		3	0.136" (3.45 mm)	
607-1212-130F	607-1212-330F	● Green			65					
607-1312-130F	607-1312-330F	● Yellow			55					
607-2112-110F	607-2112-310F	● Red	2		65		Recessed	4		0.336" (8.50 mm)
607-2212-110F	607-2212-310F	● Green			85					
607-2312-110F	607-2312-310F	● Yellow			70					
607-2112-120F	607-2112-320F	● Red	6		65	Internal		5	0.187" (4.75 mm)	
607-2212-120F	607-2212-320F	● Green			85					
607-2312-120F	607-2312-320F	● Yellow			70					
607-2112-130F	607-2112-330F	● Red	12	65	Internal		5	0.187" (4.75 mm)		
607-2212-130F	607-2212-330F	● Green		85						
607-2312-130F	607-2312-330F	● Yellow		70						
607-3132-120F	607-3132-320F	● Red	6	35		Internal	5		0.187" (4.75 mm)	
607-3232-120F	607-3232-320F	● Green		45						
607-3332-120F	607-3332-320F	● Yellow		40						
607-3132-130F	607-3132-330F	● Red	12	35	Internal		5	0.187" (4.75 mm)		
607-3232-130F	607-3232-330F	● Green		45						
607-3332-130F	607-3332-330F	● Yellow		40						
607-3132-140F	607-3132-340F	● Red	24	35		Internal	5		0.187" (4.75 mm)	
607-3232-140F	607-3232-340F	● Green		45						
607-3332-140F	607-3332-340F	● Yellow		40						

Dialight reserves the right to make changes at any time in order to supply the best product possible. The most current version of this document will always be available at: [www.dialightsignalsandcomponents.com](http://www.dialightsignalsandcomponents.com)  
**Warranty Statement:** Except for the warranty expressly provided for [herein/above/below], Dialight disclaims any and all other warranties, express or implied, including, without limitation, any warranties of merchantability, fitness for a particular purpose, title, and noninfringement.





## Certifications & Ratings

- RoHS compliant

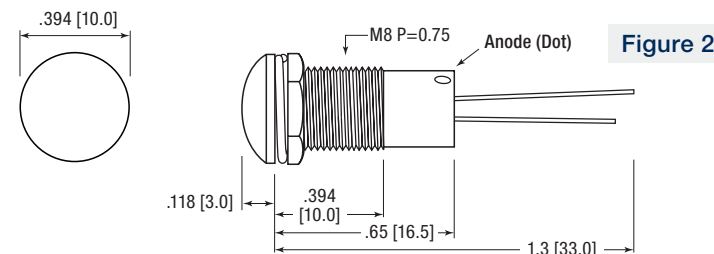
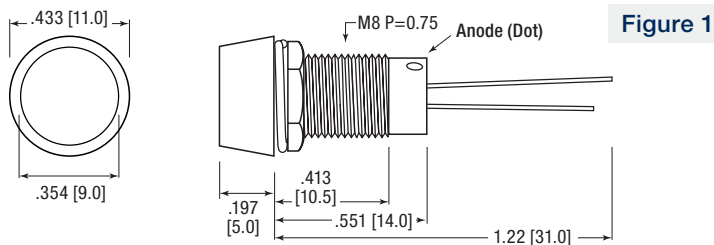
## Application

The 608 Series LED Panel Mount Indicators are designed for a variety of applications such as.

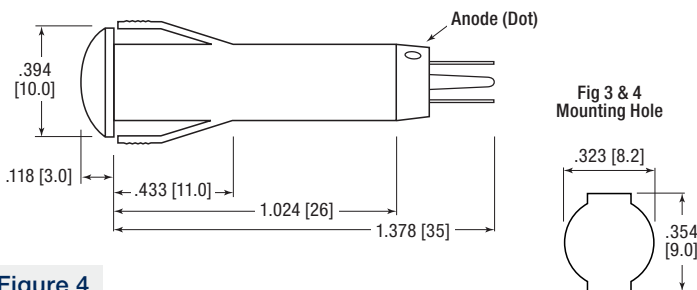
- Main power indication
  - Remote power indication
  - Status indication
  - Maintenance and warning indication
  - Instrumentation
- ... and many more!

## Dimensions

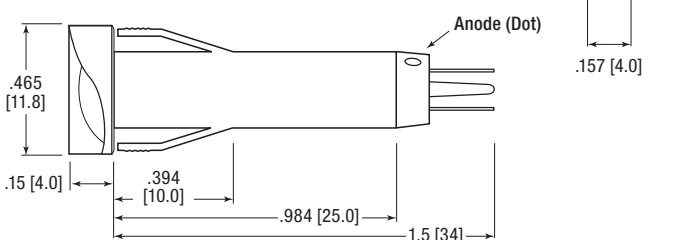
inches [mm]



**Figure 3**



**Figure 4**



## Mechanical Information

**Mounting Hole Size:** 0.323" (8.2 mm) (Fig. 1 & 2),  
Snap-Fit see Fig. 3 & 4

**Max Panel Thickness:** See part numbers

**Mounting Torque:** 0.217 lbs/ft or 3 kg/cm (Fig. 1 & 2 only)

## Specifications

**Voltage Options:** 2 VDC (resistor required)  
6, 12 & 24 VDC (no resistor required)

**Operating Temp:** -25 °C to +85 °C (-13 °F to +185 °F)

**Storage Temp:** -25 °C to +85 °C (-13 °F to +185 °F)

**Electrical Connection:** Leads (Fig. 1 & 2),  
Solder terminals (Fig. 3 & 4)

**Housing:** Polycarbonate

**Terminals:** Copper – Nickel Plated

**Lock Washer:** Iron – Nickel Plated

**Nut:** Brass – Nickel Plated

## Ordering Information 608 Series

Part Number	Color	Voltage (V DC)	Current (mA)	Typical Intensity (mcd)	Figure	Panel Thickness
-------------	-------	----------------	--------------	-------------------------	--------	-----------------

### Lock Washer & Nut

608-1131-110F	● Red	2	15	25	1	0.236" (6 mm)
608-1231-110F	● Green			30		
608-1331-110F	● Yellow			15		
608-3131-110F	● Red			25	2	
608-3231-110F	● Green			30		
608-3331-110F	● Yellow			15		

### Snap-Fit

608-1132-220F	● Red	6	15	75	3	0.197" (5 mm)
608-1232-220F	● Green			140		
608-1332-220F	● Yellow			120		
608-1132-230F	● Red	12		75		
608-1232-230F	● Green			140		
608-1332-230F	● Yellow			120		
608-1132-240F	● Red	24		75		
608-1232-240F	● Green			140		
608-1332-240F	● Yellow			120		
608-2132-220F	● Red	6		75	4	
608-2232-220F	● Green			130		
608-2332-220F	● Yellow			115		
608-2132-230F	● Red	12		75		
608-2232-230F	● Green			130		
608-2332-230F	● Yellow			115		
608-2132-240F	● Red	24	75			
608-2232-240F	● Green		130			
608-2332-240F	● Yellow		115			

Dialight reserves the right to make changes at any time in order to supply the best product possible. The most current version of this document will always be available at: [www.dialightsignalsandcomponents.com](http://www.dialightsignalsandcomponents.com)

**Warranty Statement:** Except for the warranty expressly provided for [herein/above/below], Dialight disclaims any and all other warranties, express or implied, including, without limitation, any warranties of merchantability, fitness for a particular purpose, title, and noninfringement.



## Certifications & Ratings

- RoHS compliant
- NEMA 4X (Watertight only)
- IP66 (Watertight only)

## Application

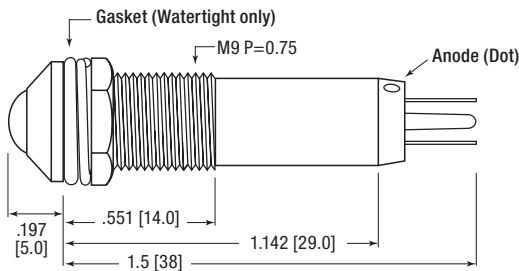
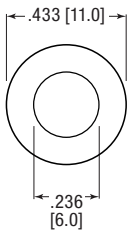
The 609 Series LED Panel Mount Indicators are designed for a variety of applications such as:

- Main power indication
  - Remote power indication
  - Status indication
  - Maintenance and warning indication
  - Instrumentation
- ... and many more!

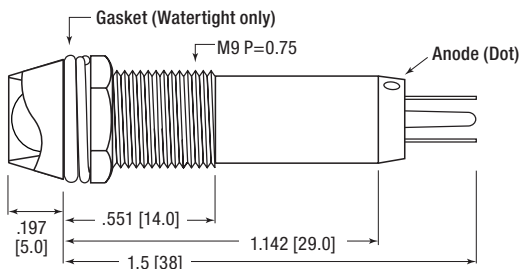
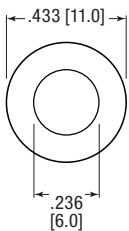
## Dimensions

inches [mm]

### Protruding



### Recessed



## Mechanical Information

<b>Mounting Hole Size:</b>	0.374" (9.5 mm)
<b>Max Panel Thickness:</b>	0.374" (9.5 mm); with Gasket: 0.318" (8.0 mm)
<b>Mounting Torque:</b>	0.362 lbs/ft (5 kg/cm)

## Specifications

<b>Voltage Options:</b>	6, 12 & 24 V DC (no resistor required)
<b>Operating Temp:</b>	-30 °C to +85 °C (-22 °F to +185 °F)
<b>Storage Temp:</b>	-40 °C to +85 °C (-40 °F to +185 °F)
<b>Electrical Connection:</b>	Solder terminals
<b>Housing:</b>	Brass—Chrome or Black Plated
<b>Terminals:</b>	Copper—Nickel Plated
<b>Lock washer:</b>	Iron—Nickel Plated
<b>Nut:</b>	Brass—Nickel Plated



## Ordering Information 609 Series

Part Number Guide						RoHS Compliant						
6	0	9	-	X	X	X	2	-	X	X	0	F
LED Position			Plating			Voltage						
Protruding	1		1	Chrome	2	6VDC						
Recessed	2		2	Black	3	12VDC						
					4	24VDC						
Color												
Red	1		1	Standard								
Green	2		3	Watertight								
Yellow	3											

### Protruding LED

Part Number	Part Number	Color	Voltage (V DC)	Current (mA)	Intensity Typ. (mcd)	Plating		
Standard	Watertight							
609-1112-120F	609-1112-320F	Red	6	15	85	Chrome		
609-1212-120F	609-1212-320F	Green			115			
609-1312-120F	609-1312-320F	Yellow			90			
609-1112-130F	609-1112-330F	Red	12		85		Chrome	
609-1212-130F	609-1212-330F	Green			115			
609-1312-130F	609-1312-330F	Yellow			90			
609-1112-140F	609-1112-340F	Red	24		85	Chrome		
609-1212-140F	609-1212-340F	Green			115			
609-1312-140F	609-1312-340F	Yellow			90			
609-1122-120F	609-1122-320F	Red	6		15		85	Black
609-1222-120F	609-1222-320F	Green					115	
609-1322-120F	609-1322-320F	Yellow					90	
609-1122-130F	609-1122-330F	Red	12			85	Black	
609-1222-130F	609-1222-330F	Green				115		
609-1322-130F	609-1322-330F	Yellow				90		
609-1122-140F	609-1122-340F	Red	24	85		Black		
609-1222-140F	609-1222-340F	Green		115				
609-1322-140F	609-1322-340F	Yellow		90				

### Recessed LED

Part Number	Part Number	Color	Voltage (V DC)	Current (mA)	Intensity Typ. (mcd)	Plating		
Standard	Watertight							
609-2112-120F	609-2112-320F	Red	6	15	85	Chrome		
609-2212-120F	609-2212-320F	Green			115			
609-2312-120F	609-2312-320F	Yellow			90			
609-2112-130F	609-2112-330F	Red	12		85		Chrome	
609-2212-130F	609-2212-330F	Green			115			
609-2312-130F	609-2312-330F	Yellow			90			
609-2112-140F	609-2112-340F	Red	24		85	Chrome		
609-2212-140F	609-2212-340F	Green			115			
609-2312-140F	609-2312-340F	Yellow			90			
609-2122-120F	609-2122-320F	Red	6		15		85	Black
609-2222-120F	609-2222-320F	Green					115	
609-2322-120F	609-2322-320F	Yellow					90	
609-2122-130F	609-2122-330F	Red	12			85	Black	
609-2222-130F	609-2222-330F	Green				115		
609-2322-130F	609-2322-330F	Yellow				90		
609-2122-140F	609-2122-340F	Red	24	85		Black		
609-2222-140F	609-2222-340F	Green		115				
609-2322-140F	609-2322-340F	Yellow		90				

Dialight reserves the right to make changes at any time in order to supply the best product possible. The most current version of this document will always be available at: [www.dialightsignalsandcomponents.com](http://www.dialightsignalsandcomponents.com)

**Warranty Statement:** Except for the warranty expressly provided for [herein/above/below], Dialight disclaims any and all other warranties, express or implied, including, without limitation, any warranties of merchantability, fitness for a particular purpose, title, and noninfringement.



## Certifications & Ratings

- RoHS compliant

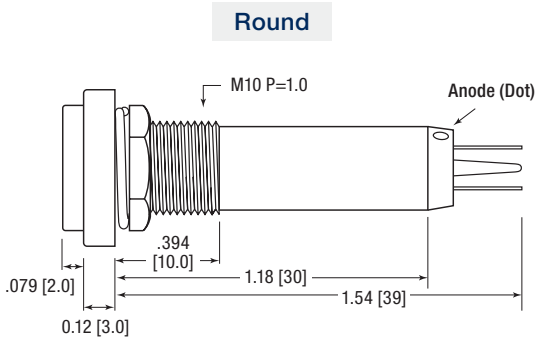
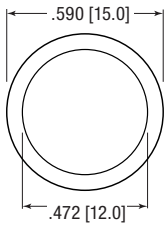
## Application

The 610 Series LED Panel Mount Indicators are designed for a variety of applications such as:

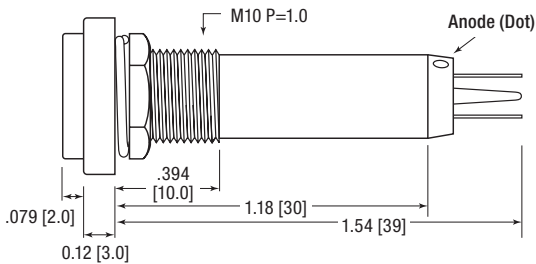
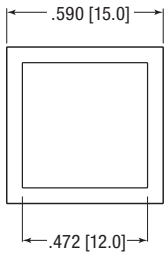
- Main power indication
  - Remote power indication
  - Status indication
  - Maintenance and warning indication
  - Instrumentation
- ... and many more!

## Dimensions

inches [mm]



### Square



## Mechanical Information

**Mounting Hole Size:** 0.413" (10.5 mm)

**Max Panel Thickness:** 0.236" (6.0 mm)

**Mounting Torque:** 0.217 lbs/ft (3 kg/cm)

## Specifications

**Voltage Options:** 6 VDC (no resistor required)

**Operating Temp:** -25 °C to +85 °C (-13 °F to +185 °F)

**Storage Temp:** -40 °C to +100 °C (-40 °F to +212 °F)

**Electrical Connection:** Solder terminals

**Housing:** Polycarbonate

**Terminals:** Copper—Nickel Plated

**Lock Washer:** Iron—Nickel Plated

**Nut:** Brass—Nickel Plated

## Ordering Information 610 Series

Part Number	Color	Voltage (V DC)	Current (mA)	Intensity Typ. (mcd)	LED Shape
610-3132-120F	Red	6	15	75	Round
610-3232-120F	Green			110	
610-3332-120F	Yellow			60	
610-4132-120F	Red			75	Square
610-4232-120F	Green			110	
610-4332-120F	Yellow			60	

Dialight reserves the right to make changes at any time in order to supply the best product possible. The most current version of this document will always be available at: [www.dialightsignalsandcomponents.com](http://www.dialightsignalsandcomponents.com)

**Warranty Statement:** Except for the warranty expressly provided for [herein/above/below], Dialight disclaims any and all other warranties, express or implied, including, without limitation, any warranties of merchantability, fitness for a particular purpose, title, and noninfringement.





## Certifications & Ratings

- RoHS compliant

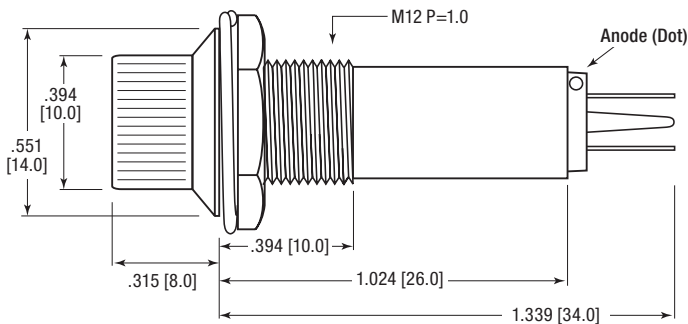
## Application

The 612 Series LED Panel Mount Indicators are designed for a variety of applications such as:

- Main power indication
  - Remote power indication
  - Status indication
  - Maintenance and warning indication
  - Instrumentation
- ... and many more!

## Dimensions

inches [mm]



## Mechanical Information

- Mounting Hole Size:** 0.492" (12.5 mm)
- Max Panel Thickness:** 0.236" (6.0 mm)
- Mounting Torque:** 0.217 lbs/ft (3 kg/cm)

## Specifications

- Voltage Options:** 6, 12 & 24 VDC (no resistor required)
- Operating Temp:** -25 °C to +85 °C (-13 °F to +185 °F)
- Storage Temp:** -25 °C to +100 °C (-13 °F to +212 °F)
- Electrical Connection:** Solder terminals
- Housing:** Polycarbonate
- Terminals:** Copper—Nickel Plated
- Lock Washer:** Iron—Nickel Plated
- Nut:** Brass—Nickel Plated

## Ordering Information 612 Series

Part Number	Color	Voltage (V DC)	Current (mA)	Intensity Typ. (mcd)
612-3132-120F	Red	6	15	65
612-3232-120F	Green			110
612-3332-120F	Yellow			80
612-3132-130F	Red	12		65
612-3232-130F	Green			110
612-3332-130F	Yellow			80
612-3132-140F	Red	24		65
612-3232-140F	Green			110
612-3332-140F	Yellow			80

Dialight reserves the right to make changes at any time in order to supply the best product possible. The most current version of this document will always be available at: [www.dialightsignalsandcomponents.com](http://www.dialightsignalsandcomponents.com)

**Warranty Statement:** Except for the warranty expressly provided for [herein/above/below], Dialight disclaims any and all other warranties, express or implied, including, without limitation, any warranties of merchantability, fitness for a particular purpose, title, and noninfringement.





## Certifications & Ratings

- RoHS compliant

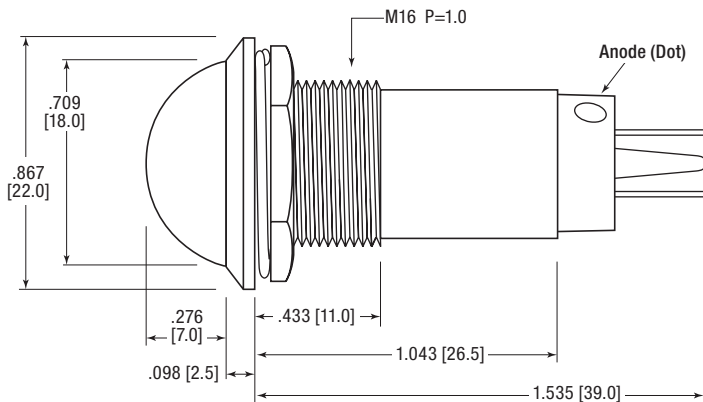
## Application

The 616 Series LED Panel Mount Indicators are designed for a variety of applications such as:

- Main power indication
  - Remote power indication
  - Status indication
  - Maintenance and warning indication
  - Instrumentation
- ... and many more!

## Dimensions

inches [mm]



## Mechanical Information

- Mounting Hole Size:** 0.642" (16.3 mm)
- Max Panel Thickness:** 0.236" (6.0 mm)
- Mounting Torque:** 0.217 lbs/ft (3 kg/cm)

## Specifications

- Voltage Options:** 6, 12 & 24VDC (no resistor required)
- Operating Temp:** -25 °C to +85 °C (-13 °F to +185 °F)
- Storage Temp:** -25 °C to +100 °C (-13 °F to +212 °F)
- Electrical Connection:** Solder terminals
- Housing:** Polycarbonate
- Terminals:** Copper—Nickel Plated
- Lock Washer:** Iron—Nickel Plated
- Nut:** Brass—Nickel Plated

## Ordering Information 616 Series

Part Number	Color	Voltage (V DC)	Current (mA)	Intensity Typ. (mcd)
612-1132-120F	Red	6	15	75
612-1232-120F	Green			110
612-1332-120F	Yellow			80
612-1132-130F	Red	12		75
612-1232-130F	Green			110
612-1332-130F	Yellow			80
612-1132-140F	Red	24		75
612-1232-140F	Green			110
612-1332-140F	Yellow			80

Dialight reserves the right to make changes at any time in order to supply the best product possible. The most current version of this document will always be available at: [www.dialightsignalsandcomponents.com](http://www.dialightsignalsandcomponents.com)

**Warranty Statement:** Except for the warranty expressly provided for [herein/above/below], Dialight disclaims any and all other warranties, express or implied, including, without limitation, any warranties of merchantability, fitness for a particular purpose, title, and noninfringement.





### Certifications & Ratings

- RoHS compliant
- IP66/IP67
- IK10
- NEMA 4X

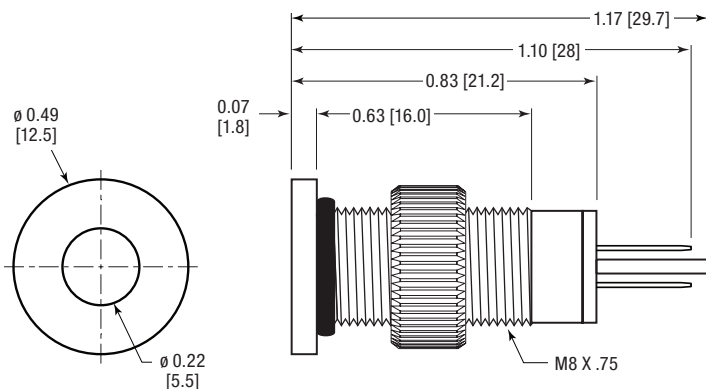
### Application

The 620 Series Heavy Duty LED Panel Mount Indicators are elegantly designed for a high-end aesthetic paired with sturdy construction. These indicators are non-magnetic, corrosion resistant for both indoor and outdoor use, and secured to prevent dirt, dust, and water penetration. Ideal for a variety of applications such as:

- Main power indication
  - Remote power indication
  - Status indication
  - Maintenance and warning indication
  - Instrumentation
- ... and many more!

### Dimensions

inches [mm]



### Mechanical Information

<b>Mounting Hole Size:</b>	0.323" (8.2 mm)
<b>Max Panel Thickness:</b>	0.394" (10 mm)
<b>Mounting Torque:</b>	7.01 lbs-ft (9.5 Nm)

### Specifications

<b>Operating Voltage:</b>	3 VDC (external resistor required) 6, 12 & 24 VDC (internal resistor included)
<b>Operating Temp:</b>	-25 °C to +70 °C (-13 °F to 158 °F)
<b>Storage Temp:</b>	-25 °C to +70 °C (-13 °F to 158 °F)
<b>Electrical Connection:</b>	Solder terminals
<b>Housing:</b>	Stainless Steel
<b>Terminals:</b>	Stainless Steel
<b>Nut:</b>	Stainless Steel

## Ordering Information 620 Series

Part Number Guide										RoHS Compliant		
6	2	0	-	1	X	X	X	-	3	0	4	F
							Voltage					
							1	3VDC				
							2	6VDC				
							3	12VDC				
							4	24VDC				
Color												
● Red	1	0										
● Green	2	0										
● Yellow	3	0										
● Blue	4	0										

Dialight P/N	Color	Voltage (VDC)	Current (mA)	Typical Intensity (mcd)
620-1101-304F	● Red	3	15	200
620-1201-304F	● Green			250
620-1301-304F	● Yellow			350
620-1401-304F	● Blue			300
620-1102-304F	● Red	6		200
620-1202-304F	● Green			250
620-1302-304F	● Yellow			350
620-1402-304F	● Blue			300
620-1103-304F	● Red	12		200
620-1203-304F	● Green			250
620-1303-304F	● Yellow			350
620-1403-304F	● Blue			300
620-1104-304F	● Red	24	200	
620-1204-304F	● Green		250	
620-1304-304F	● Yellow		350	
620-1404-304F	● Blue		300	

Dialight reserves the right to make changes at any time in order to supply the best product possible. The most current version of this document will always be available at: [www.dialightsignalsandcomponents.com](http://www.dialightsignalsandcomponents.com)

**Warranty Statement:** Except for the warranty expressly provided for [herein/above/below], Dialight disclaims any and all other warranties, express or implied, including, without limitation, any warranties of merchantability, fitness for a particular purpose, title, and noninfringement.



### Certifications & Ratings

- RoHS compliant
- IP66/IP67
- IK10
- NEMA 4X

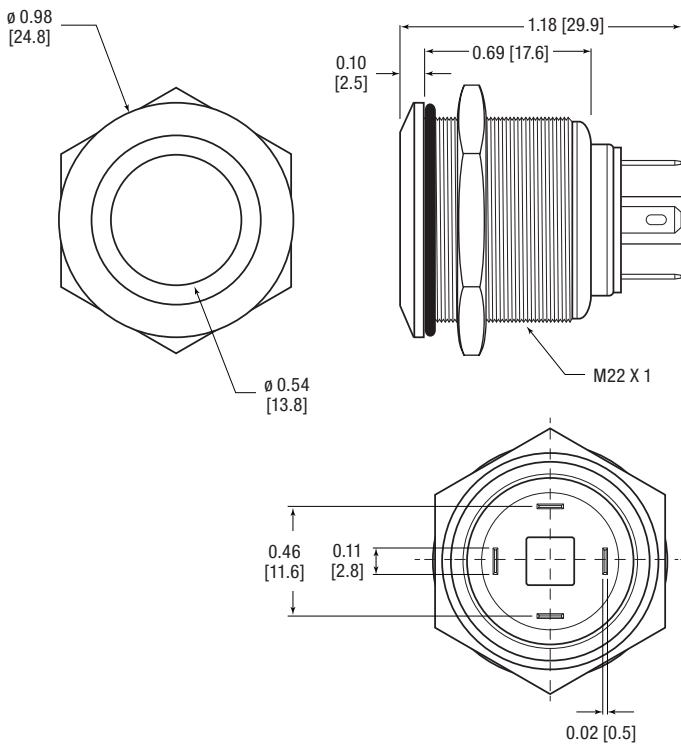
### Application

The 621 Series Heavy Duty LED Panel Mount Indicators are elegantly designed for a high-end aesthetic paired with sturdy construction. These indicators are non-magnetic, corrosion resistant for both indoor and outdoor use, and secured to prevent dirt, dust, and water penetration. Ideal for a variety of applications such as:

- Main power indication
  - Remote power indication
  - Status indication
  - Maintenance and warning indication
  - Instrumentation
- ... and many more!

### Dimensions

inches [mm]



### Mechanical Information

<b>Mounting Hole Size:</b>	0.866" (22 mm)
<b>Max Panel Thickness:</b>	0.394" (10 mm)
<b>Mounting Torque:</b>	7.01 lbs-ft (9.5 Nm)

### Specifications

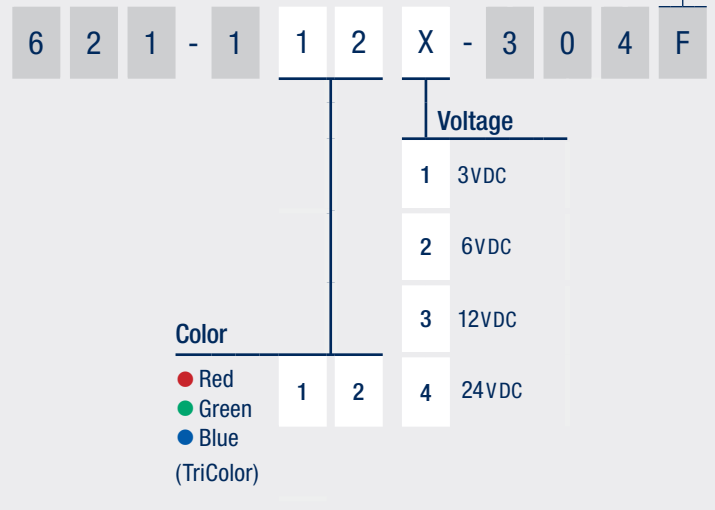
<b>Operating Voltage:</b>	3 VDC (external resistor required) 6, 12 & 24 VDC (internal resistor included)
<b>Operating Temp:</b>	-25 °C to +70 °C (-13 °F to 158 °F)
<b>Storage Temp:</b>	-25 °C to +70 °C (-13 °F to 158 °F)
<b>Electrical Connection:</b>	Solder terminals
<b>Housing:</b>	Stainless Steel
<b>Terminals:</b>	Stainless Steel
<b>Nut:</b>	Stainless Steel

## Ordering Information 621 Series

Dialight P/N	Color	Voltage (VDC)	Current (mA)	Typical Intensity (mcd)
621-1121-304F	(TriColor)	3	15	<ul style="list-style-type: none"> <li>● Red: 200</li> <li>● Green: 250</li> <li>● Blue: 300</li> </ul>
621-1122-304F	● Red	6		
621-1123-304F	● Green	12		
621-1124-304F	● Blue	24		

### Part Number Guide

RoHS Compliant



Dialight reserves the right to make changes at any time in order to supply the best product possible. The most current version of this document will always be available at: [www.dialightsignalsandcomponents.com](http://www.dialightsignalsandcomponents.com)

**Warranty Statement:** Except for the warranty expressly provided for [herein/above/below], Dialight disclaims any and all other warranties, express or implied, including, without limitation, any warranties of merchantability, fitness for a particular purpose, title, and noninfringement.





### Certifications & Ratings

- RoHS compliant
- IP66/IP67
- IK10
- NEMA 4X

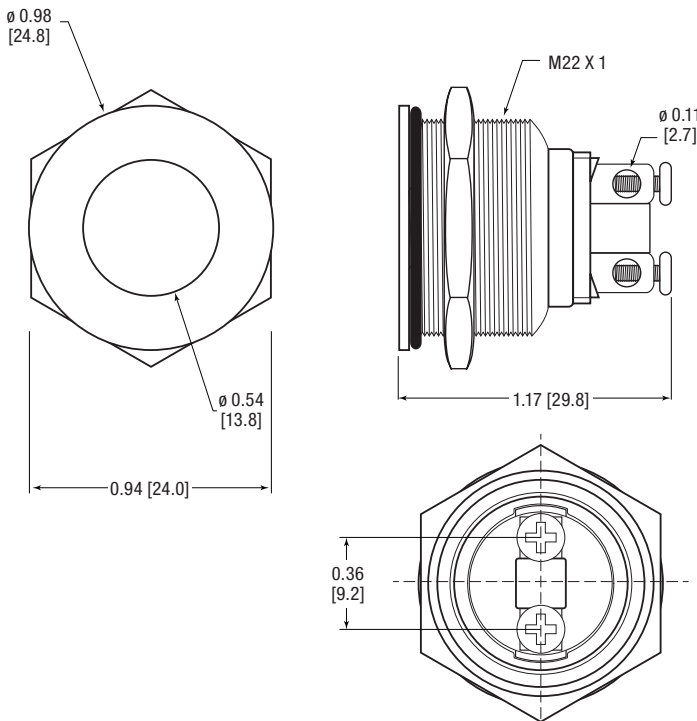
### Application

The 622 Series Heavy Duty LED Panel Mount Indicators are elegantly designed for a high-end aesthetic paired with sturdy construction. These indicators are non-magnetic, corrosion resistant for both indoor and outdoor use, and secured to prevent dirt, dust, and water penetration. Ideal for a variety of applications such as:

- Main power indication
  - Remote power indication
  - Status indication
  - Maintenance and warning indication
  - Instrumentation
- ... and many more!

### Dimensions

inches [mm]



### Mechanical Information

<b>Mounting Hole Size:</b>	0.866" (22 mm)
<b>Max Panel Thickness:</b>	0.394" (10 mm)
<b>Mounting Torque:</b>	7.01 lbs-ft (9.5 Nm)

### Specifications

<b>Operating Voltage:</b>	3 VDC (external resistor required) 6, 12 & 24 VDC (internal resistor included)
<b>Operating Temp:</b>	-25 °C to +70 °C (-13 °F to 158 °F)
<b>Storage Temp:</b>	-25 °C to +70 °C (-13 °F to 158 °F)
<b>Electrical Connection:</b>	Screw terminals
<b>Housing:</b>	Stainless Steel
<b>Nut:</b>	Stainless Steel

## Ordering Information 622 Series

Part Number Guide										RoHS Compliant		
6	2	2	-	1	X	X	X	-	3	0	4	F
							Voltage					
							1	3VDC				
							2	6VDC				
							3	12VDC				
							4	24VDC				
Color				1	0							
● Red				1	0							
● Green				2	0							
● Yellow				3	0							
● Blue				4	0							

Dialight P/N	Color	Voltage (VDC)	Current (mA)	Typical Intensity (mcd)
622-1101-304F	● Red	3	15	200
622-1201-304F	● Green			250
622-1301-304F	● Yellow			350
622-1401-304F	● Blue			300
622-1102-304F	● Red	6		200
622-1202-304F	● Green			250
622-1302-304F	● Yellow			350
622-1402-304F	● Blue			300
622-1103-304F	● Red	12		200
622-1203-304F	● Green			250
622-1303-304F	● Yellow			350
622-1403-304F	● Blue			300
622-1104-304F	● Red	24	200	
622-1204-304F	● Green		250	
622-1304-304F	● Yellow		350	
622-1404-304F	● Blue		300	

Dialight reserves the right to make changes at any time in order to supply the best product possible. The most current version of this document will always be available at: [www.dialightsignalsandcomponents.com](http://www.dialightsignalsandcomponents.com)

**Warranty Statement:** Except for the warranty expressly provided for [herein/above/below], Dialight disclaims any and all other warranties, express or implied, including, without limitation, any warranties of merchantability, fitness for a particular purpose, title, and noninfringement.



### Certifications & Ratings

- RoHS compliant
- IP66/IP67
- IK10
- NEMA 4X

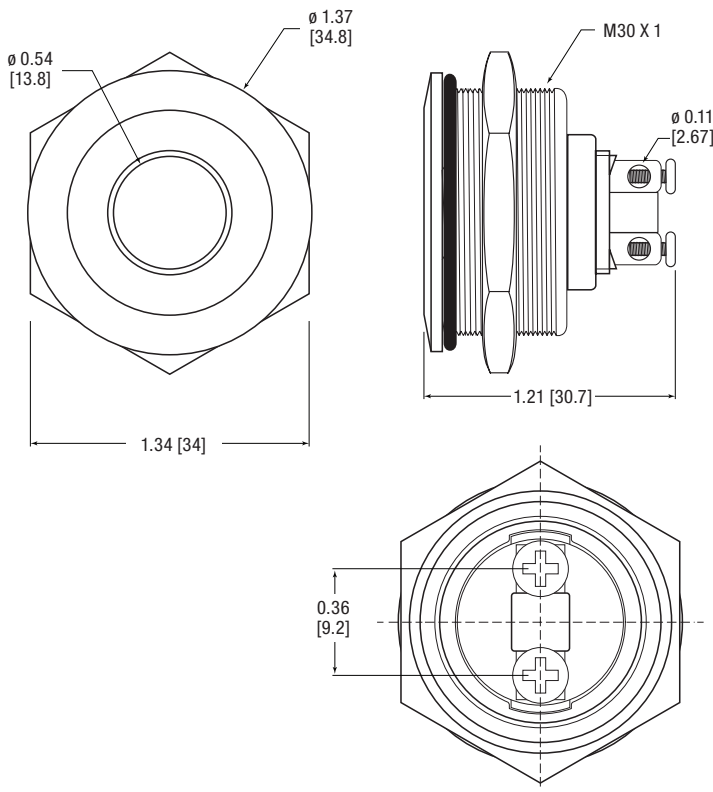
### Application

The 623 Series Heavy Duty LED Panel Mount Indicators are elegantly designed for a high-end aesthetic paired with sturdy construction. These indicators are non-magnetic, corrosion resistant for both indoor and outdoor use, and secured to prevent dirt, dust, and water penetration. Ideal for a variety of applications such as:

- Main power indication
  - Remote power indication
  - Status indication
  - Maintenance and warning indication
  - Instrumentation
- ... and many more!

### Dimensions

inches [mm]



### Mechanical Information

<b>Mounting Hole Size:</b>	1.18" (30mm)
<b>Max Panel Thickness:</b>	0.394" (10mm)
<b>Mounting Torque:</b>	7.01 lbs-ft (9.5 Nm)

### Specifications

<b>Operating Voltage:</b>	3 VDC (external resistor required) 6, 12 & 24 VDC (internal resistor included)
<b>Operating Temp:</b>	-25 °C to +70 °C (-13 °F to 158 °F)
<b>Storage Temp:</b>	-25 °C to +70 °C (-13 °F to 158 °F)
<b>Electrical Connection:</b>	Screw terminals
<b>Housing:</b>	Stainless Steel
<b>Nut:</b>	Stainless Steel

## Ordering Information 623 Series

Part Number Guide										RoHS Compliant		
6	2	3	-	1	X	X	X	-	3	0	4	F
							Voltage					
							1	3VDC				
							2	6VDC				
							3	12VDC				
							4	24VDC				
Color				1	0							
● Red				1	0							
● Green				2	0							
● Yellow				3	0							
● Blue				4	0							

Dialight P/N	Color	Voltage (VDC)	Current (mA)	Typical Intensity (mcd)
623-1101-304F	● Red	3	15	200
623-1201-304F	● Green			250
623-1301-304F	● Yellow			350
623-1401-304F	● Blue			300
623-1102-304F	● Red	6		200
623-1202-304F	● Green			250
623-1302-304F	● Yellow			350
623-1402-304F	● Blue			300
623-1103-304F	● Red	12		200
623-1203-304F	● Green			250
623-1303-304F	● Yellow			350
623-1403-304F	● Blue			300
623-1104-304F	● Red	24	200	
623-1204-304F	● Green		250	
623-1304-304F	● Yellow		350	
623-1404-304F	● Blue		300	

Dialight reserves the right to make changes at any time in order to supply the best product possible. The most current version of this document will always be available at: [www.dialightsignalsandcomponents.com](http://www.dialightsignalsandcomponents.com)

**Warranty Statement:** Except for the warranty expressly provided for [herein/above/below], Dialight disclaims any and all other warranties, express or implied, including, without limitation, any warranties of merchantability, fitness for a particular purpose, title, and noninfringement.



### Certifications & Ratings

- RoHS compliant

### Application

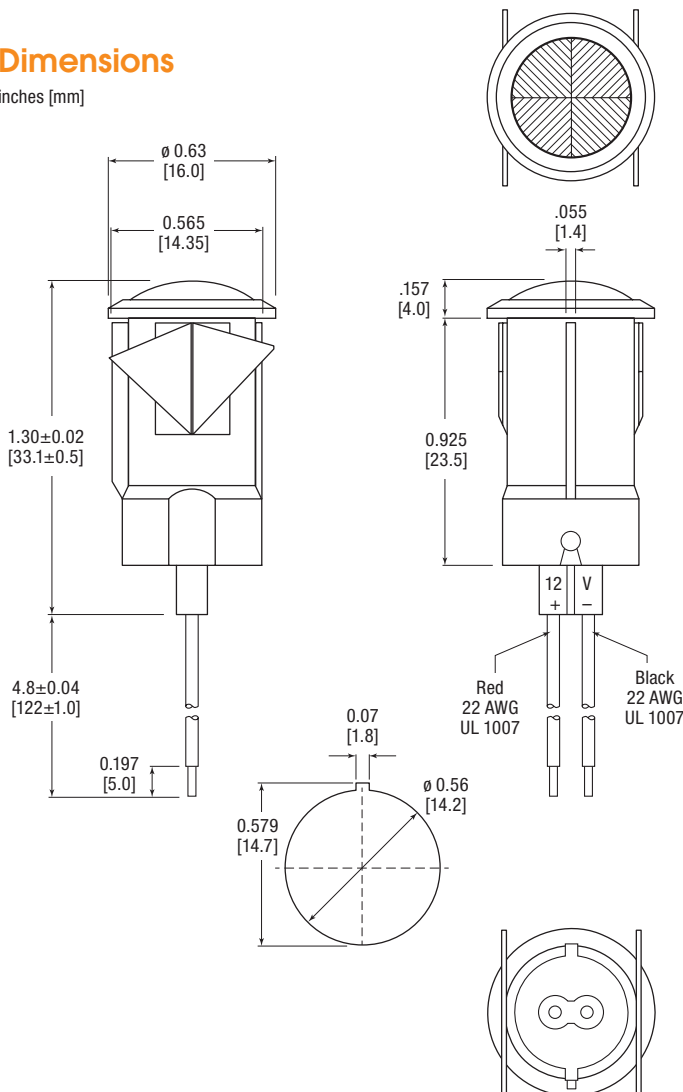
The 653 Series LED Panel Mount Indicators are designed with the unique feature of flexible tabs that allow for mounting to panels of thicknesses ranging from 0.027" (0.7 mm) to 0.138" (3.5 mm). They are ideal for a variety of applications, such as:

- Main power indication
- Remote power indication
- Status indication
- Maintenance and warning indication
- Instrumentation

... and many more!

### Dimensions

inches [mm]



### Mechanical Information

**Mounting Hole Size:** 0.579" (14.7 mm)

**Max Panel Thickness:** 0.138" (3.5 mm)

### Specifications

**Voltage Options:** 12 & 24 VDC (no resistor required)

**Operating temp:** -20°C to +80°C (-4°F to +176°F)

**Storage Temp:** -20°C to +80°C (-4°F to +176°F)

**Electrical Connection:** 5" wire leads

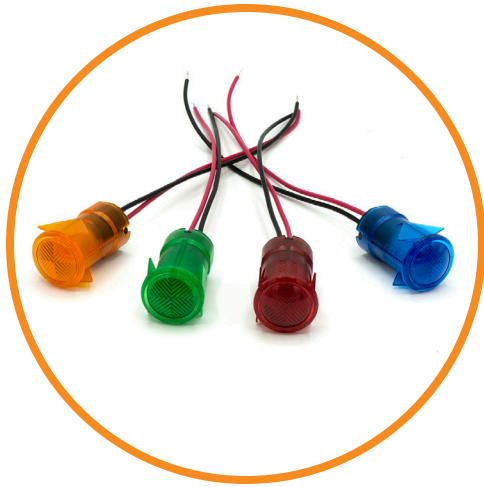
**Housing:** Polycarbonate

**Wire Leads:** 22 AWG

Dialight P/N	Color	Voltage (V DC)	Current (mA)	Typical Intensity (mcd)
653-1103-103F	Red	12	20	845
653-1203-103F	Green			600
653-1303-103F	Yellow			465
653-1403-103F	Blue			390
653-1104-103F	Red	24	20	845
653-1204-103F	Green			600
653-1304-103F	Yellow			465
653-1404-103F	Blue			390







## Certifications & Ratings

- RoHS compliant

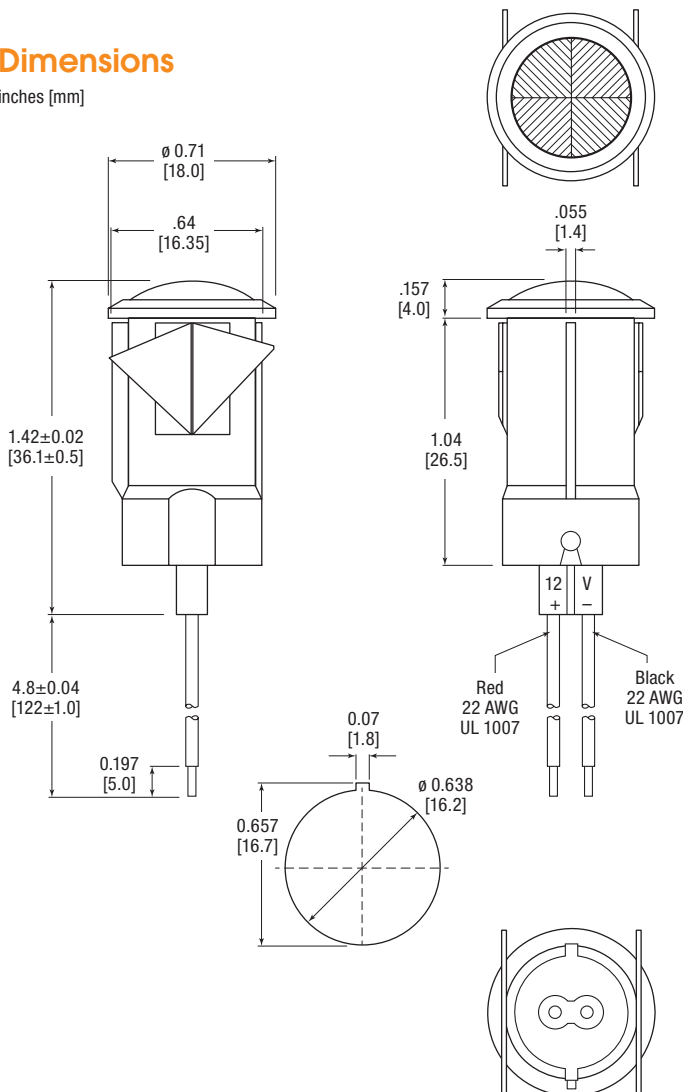
## Application

The 654 Series LED Panel Mount Indicators are designed with the unique feature of flexible tabs that allow for mounting to panels of thicknesses ranging from 0.027" (0.7 mm) to 0.138" (3.5 mm). They are ideal for a variety of applications, such as:

- Main power indication
- Remote power indication
- Status indication
- Maintenance and warning indication
- Instrumentation
- ... and many more!

## Dimensions

inches [mm]



## Mechanical Information

**Mounting Hole Size:** 0.657" (16.7 mm)

**Max Panel Thickness:** 0.138" (3.5 mm)

## Specifications

**Voltage Options:** 12 & 24 VDC (no resistor required)

**Operating temp:** -20°C to +80°C (-4°F to +176°F)

**Storage Temp:** -20°C to +80°C (-4°F to +176°F)

**Electrical Connection:** 5" wire leads

**Housing:** Polycarbonate

**Wire Leads:** 22 AWG

Dialight P/N	Color	Voltage (VDC)	Current (mA)	Typical Intensity (mcd)
654-1103-103F	Red	12	20	845
654-1203-103F	Green			600
654-1303-103F	Yellow			465
654-1403-103F	Blue			390
654-1104-103F	Red	24		845
654-1204-103F	Green			600
654-1304-103F	Yellow			465
654-1404-103F	Blue			390









## Certifications & Ratings

- RoHS compliant

## Application

The 655 Series LED Panel Mount Indicators are designed for a variety of applications such as.

- Main power indication
  - Remote power indication
  - Status indication
  - Maintenance and warning indication
  - Instrumentation
- ... and many more!

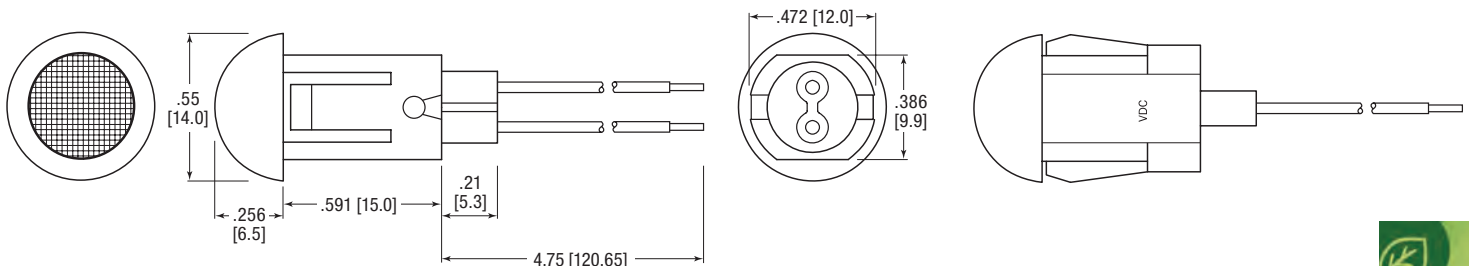
## Dimensions

inches [mm]

### Flat Lens



### Domed Lens



## Mechanical Information

- Mounting Hole Size:** 0.50" (12.7 mm)  
**Max Panel Thickness:** 0.138" (3.5 mm) (Domed Lens);  
 0.216" (5.5 mm) (Flat Lens)

## Specifications

- Voltage Options:** 12 & 24 VDC (no resistor required)  
**Operating temp:** -20 °C to +85 °C (-4 °F to +185 °F)  
**Storage Temp:** -20 °C to +85 °C (-4 °F to +185 °F)  
**Electrical Connection:** 250 Faston quick connect terminals (Flat Lens only) or wire leads  
**Housing:** Polycarbonate  
**Terminals:** Brass—Nickel Plated (Flat Lens only)  
**Wire Leads:** 18 AWG (Flat Lens),  
 26 AWG (Domed Lens)

## Ordering Information 655 Series

Part Number Guide										RoHS Compliant					
6	5	5	-	X	X	X	X	-	1	0	X	F			
				Lens Style						Voltage		Termination			
				Flat		1						3		Wire Leads	
				Domed		2						4		Solder Terminals (Flat Lens only)	
								Color							
				1		0		● Red							
				2		0		● Green							
				3		0		● Yellow							
				4		0		● Blue							

Dialight P/N		Color	Voltage (VDC)	Current (mA)	Typical Intensity (mcd)
Wire Leads	Solder Terminals				

### Flat Lens

655-1103-103F	655-1103-104F	● Red	12	20	270
655-1203-103F	655-1203-104F	● Green			700
655-1303-103F	655-1303-104F	● Yellow			200
655-1403-103F	655-1403-104F	● Blue			100
655-1104-103F	655-1104-104F	● Red	24		270
655-1204-103F	655-1204-104F	● Green			700
655-1304-103F	655-1304-104F	● Yellow			200
655-1404-103F	655-1404-104F	● Blue			100

### Domed Lens

655-2103-103F	NA	● Red	12	20	3000
655-2203-103F	NA	● Green			2500
655-2303-103F	NA	● Yellow			1500
655-2403-103F	NA	● Blue			700
655-2104-103F	NA	● Red	24		3000
655-2204-103F	NA	● Green			2500
655-2304-103F	NA	● Yellow			1500
655-2404-103F	NA	● Blue			700

Dialight reserves the right to make changes at any time in order to supply the best product possible. The most current version of this document will always be available at: [www.dialightsignalsandcomponents.com](http://www.dialightsignalsandcomponents.com)

**Warranty Statement:** Except for the warranty expressly provided for [herein/above/below], Dialight disclaims any and all other warranties, express or implied, including, without limitation, any warranties of merchantability, fitness for a particular purpose, title, and noninfringement.



## Certifications & Ratings

- UL1598: wire leads — UL listed; terminals — UL recognized
- NEMA 4X
- IP66/67
- RoHS compliant — w/6C exemption

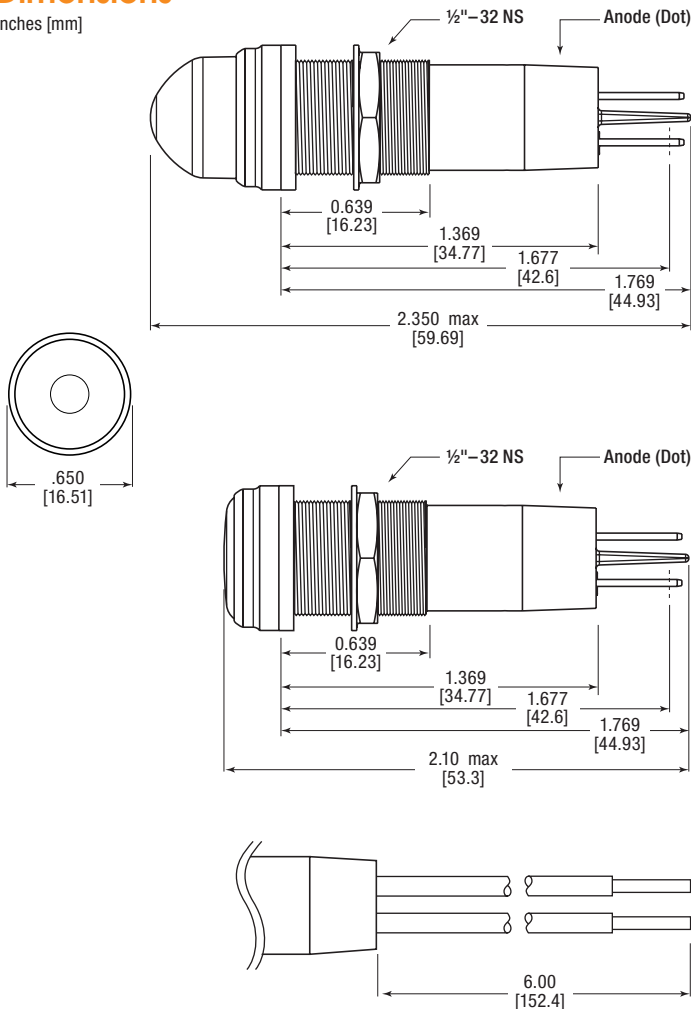
## Application

The 656 Series LED Panel Mount Indicators are designed for a variety of applications such as:

- Safety Applications
- Instrument Panels
- Vending/Gaming
- Display Lighting
- Transportation — rail, bus, airline  
... and many more!

## Dimensions

inches [mm]



## Mechanical information

- Mounting Hole Size:** 0.500" (12.7 mm)
- Max Panel Thickness:** 0.450" (11.43 mm)
- Mounting Torque:** 5 in-lbs

## Specifications

- Voltage Options:** 5 to 125VDC and 125, 230VAC (bi-color 5, 12, 24 VDC) (no resistor required)
- Operating Temp:** -30 °C to +85 °C (22 °F to +185 °F)
- Storage Temp:** -40 °C to +100 °C (-40 °F to +212 °F)
- Electrical Connection:** 110 Faston quick connect terminals or 6" wire leads
- Housing:** Brass—White or Black Nickel Plated
- Lens Material:** Transparent polycarbonate (UL 94V-0)
- Wire Leads:** 18 AWG
- Lock Washer:** Bronze—White or Black Nickel Plated
- Nut:** Brass—White or Black Nickel Plated



## Ordering Information

### 656 Series

Part Number Guide										RoHS Compliant					
6	5	6	-	X	X	X	X	-	X	0	X	F			
				<b>Lens Style</b>						<b>Voltage</b>		<b>Termination</b>			
				Flat		1						2 5VDC		3 Wires	
				Domed		3						3 12VDC		4 Blades	
				<b>Color</b>								<b>Plating</b>			
				○ White	0	0					6 28VDC*		2 Black		
				● Red	1	0					8 37.5VDC*		3 White		
				● Green	2	0					7 72VDC*				
				● Yellow	3	0					5 120 VAC/DC*†				
				● Orange	3	5					9 230VAC*†				
				● Blue	4	0									
				● Red	1	2									
				● Green	3	2									
				● Yellow											
				● Green											

\* single color only  
† white nickel plating only

## 656 Series — Bi-Color

### Flat Lens

Part #—with Wire Leads		Part #—with Blade Terminals		Color	Voltage (VDC)	Typ Current (mA)	Typical Intensity (mcd)
White Nickel Plating	Black Nickel Plating	White Nickel Plating	Black Nickel Plating				
656-1122-303F	656-1122-203F	656-1122-304F	656-1122-204F	● Red ● Green	5	11 / 8	330/910
656-1322-303F	656-1322-203F	656-1322-304F	656-1322-204F	● Yellow ● Green	5	11 / 8	320/864
656-1123-303F	656-1123-203F	656-1123-304F	656-1123-204F	● Red ● Green	12	10 / 9	330/910
656-1323-303F	656-1323-203F	656-1323-304F	656-1323-204F	● Yellow ● Green	12	10 / 9	320/864
656-1124-303F	656-1124-203F	656-1124-304F	656-1124-204F	● Red ● Green	24	11 / 10	330/910
656-1324-303F	656-1324-203F	656-1324-304F	656-1324-204F	● Yellow ● Green	24	11 / 10	320/864

### Domed Lens

Part #—with Wire Leads		Part #—with Blade Terminals		Color	Voltage (VDC)	Typ Current (mA)	Typical Intensity (mcd)
White Nickel Plating	Black Nickel Plating	White Nickel Plating	Black Nickel Plating				
656-3122-303F	656-3122-203F	656-3122-304F	656-3122-204F	● Red ● Green	5	11 / 8	490/1340
656-3322-303F	656-3322-203F	656-3322-304F	656-3322-204F	● Yellow ● Green	5	11 / 8	480/430
656-3123-303F	656-3123-203F	656-3123-304F	656-3123-204F	● Red ● Green	12	10 / 9	490/1340
656-3323-303F	656-3323-203F	656-3323-304F	656-3323-204F	● Yellow ● Green	12	10 / 9	480/430
656-3124-303F	656-3124-203F	656-3124-304F	656-3124-204F	● Red ● Green	24	11 / 10	490/1340
656-3324-303F	656-3324-203F	656-3324-304F	656-3324-204F	● Yellow ● Green	24	11 / 10	480/430

### Flat Lens

## Ordering Information

### 656 Series—Single Color

Part #—with Wire Leads		Part #—with Blade Terminals		Color	Voltage	Typ Current (mA)	Typical Intensity (mcd)
White Nickel Plating	Black Nickel Plating	White Nickel Plating	Black Nickel Plating				
656-1002-303F	656-1002-203F	656-1002-304F	656-1002-204F	○ White	5 (VDC)	15	1510
656-1102-303F	656-1102-203F	656-1102-304F	656-1102-204F	● Red		16	1150
656-1202-303F	656-1202-203F	656-1202-304F	656-1202-204F	● Green		15	1600
656-1302-303F	656-1302-203F	656-1302-304F	656-1302-204F	● Yellow		16	990
656-1352-303F	656-1352-203F	656-1352-304F	656-1352-204F	● Orange		16	1800
656-1402-303F	656-1402-203F	656-1402-304F	656-1402-204F	● Blue		15	237
656-1003-303F	656-1003-203F	656-1003-304F	656-1003-204F	○ White	12 (VDC)	18	1310
656-1103-303F	656-1103-203F	656-1103-304F	656-1103-204F	● Red		18	1100
656-1203-303F	656-1203-203F	656-1203-304F	656-1203-204F	● Green		16	1140
656-1303-303F	656-1303-203F	656-1303-304F	656-1303-204F	● Yellow		18	880
656-1353-303F	656-1353-203F	656-1353-304F	656-1353-204F	● Orange		18	1800
656-1403-303F	656-1403-203F	656-1403-304F	656-1403-204F	● Blue		16	290
656-1004-303F	656-1004-203F	656-1004-304F	656-1004-204F	○ White	24 (VDC)	20	1310
656-1104-303F	656-1104-203F	656-1104-304F	656-1104-204F	● Red			1100
656-1204-303F	656-1204-203F	656-1204-304F	656-1204-204F	● Green			1140
656-1304-303F	656-1304-203F	656-1304-304F	656-1304-204F	● Yellow			880
656-1354-303F	656-1354-203F	656-1354-304F	656-1354-204F	● Orange			1800
656-1404-303F	656-1404-203F	656-1404-304F	656-1404-204F	● Blue			290
656-1006-303F	656-1006-203F	656-1006-304F	656-1006-204F	○ White	28 (VDC)	19	1310
656-1106-303F	656-1106-203F	656-1106-304F	656-1106-204F	● Red		19	1100
656-1206-303F	656-1206-203F	656-1206-304F	656-1206-204F	● Green		18	1140
656-1306-303F	656-1306-203F	656-1306-304F	656-1306-204F	● Yellow		19	880
656-1356-303F	656-1356-203F	656-1356-304F	656-1356-204F	● Orange		19	1800
656-1406-303F	656-1406-203F	656-1406-304F	656-1406-204F	● Blue		18	290
656-1008-303F	656-1008-203F	656-1008-304F	656-1008-204F	○ White	37.5 (VDC)	8.5	400
656-1108-303F	656-1108-203F	656-1108-304F	656-1108-204F	● Red			230
656-1208-303F	656-1208-203F	656-1208-304F	656-1208-204F	● Green			450
656-1308-303F	656-1308-203F	656-1308-304F	656-1308-204F	● Yellow			190
656-1358-303F	656-1358-203F	656-1358-304F	656-1358-204F	● Orange			835
656-1408-303F	656-1408-203F	656-1408-304F	656-1408-204F	● Blue			100
656-1007-303F	656-1007-203F	656-1007-304F	656-1007-204F	○ White	72 (VDC)	400	
656-1107-303F	656-1107-203F	656-1107-304F	656-1107-204F	● Red		230	
656-1207-303F	656-1207-203F	656-1207-304F	656-1207-204F	● Green		450	
656-1307-303F	656-1307-203F	656-1307-304F	656-1307-204F	● Yellow		190	
656-1357-303F	656-1357-203F	656-1357-304F	656-1357-204F	● Orange		835	
656-1407-303F	656-1407-203F	656-1407-304F	656-1407-204F	● Blue		100	
656-1005-303F	—	656-1005-304F	—	○ White	120 (VAC/VDC)	5	400
656-1105-303F	—	656-1105-304F	—	● Red			230
656-1205-303F	—	656-1205-304F	—	● Green			450
656-1305-303F	—	656-1305-304F	—	● Yellow			190
656-1355-303F	—	656-1355-304F	—	● Orange			260
656-1405-303F	—	656-1405-304F	—	● Blue			100
656-1009-303F	—	656-1009-304F	—	○ White	230 (VAC)	3	400
656-1109-303F	—	656-1109-304F	—	● Red			230
656-1209-303F	—	656-1209-304F	—	● Green			450
656-1309-303F	—	656-1309-304F	—	● Yellow			190
656-1359-303F	—	656-1359-304F	—	● Orange			260
656-1409-303F	—	656-1409-304F	—	● Blue			100

### Domed Lens

Part #—with Wire Leads		Part #—with Blade Terminals		Color	Voltage	Typ Current (mA)	Typical Intensity (mcd)
White Nickel Plating	Black Nickel Plating	White Nickel Plating	Black Nickel Plating				
656-3002-303F	656-3002-203F	656-3002-304F	656-3002-204F	○ White	5 (VDC)	15	3080
656-3102-303F	656-3102-203F	656-3102-304F	656-3102-204F	● Red		16	2200
656-3202-303F	656-3202-203F	656-3202-304F	656-3202-204F	● Green		15	2880
656-3302-303F	656-3302-203F	656-3302-304F	656-3302-204F	● Yellow		16	1960
656-3352-303F	656-3352-203F	656-3352-304F	656-3352-204F	● Orange		16	4400
656-3402-303F	656-3402-203F	656-3402-304F	656-3402-204F	● Blue		15	600
656-3003-303F	656-3003-203F	656-3003-304F	656-3003-204F	○ White	12 (VDC)	18	2340
656-3103-303F	656-3103-203F	656-3103-304F	656-3103-204F	● Red		18	2000
656-3203-303F	656-3203-203F	656-3203-304F	656-3203-204F	● Green		16	2110
656-3303-303F	656-3303-203F	656-3304-304F	656-3303-204F	● Yellow		18	1080
656-3353-303F	656-3353-203F	656-3353-304F	656-3353-204F	● Orange		18	4400
656-3403-303F	656-3403-203F	656-3403-304F	656-3403-204F	● Blue		16	640
656-3004-303F	656-3004-203F	656-3004-304F	656-3004-204F	○ White	24 (VDC)	20	2340
656-3104-303F	656-3104-203F	656-3104-304F	656-3104-204F	● Red			2000
656-3204-303F	656-3204-203F	656-3204-304F	656-3204-204F	● Green			2110
656-3304-303F	656-3304-203F	656-3304-304F	656-3304-204F	● Yellow			1080
656-3354-303F	656-3354-203F	656-3354-304F	656-3354-204F	● Orange			4400
656-3404-303F	656-3404-203F	656-3404-304F	656-3404-204F	● Blue			640
656-3006-303F	656-3006-203F	656-3006-304F	656-3006-204F	○ White	28 (VDC)	19	2340
656-3106-303F	656-3106-203F	656-3106-304F	656-3106-204F	● Red		19	2000
656-3206-303F	656-3206-203F	656-3206-304F	656-3206-204F	● Green		18	2110
656-3306-303F	656-3306-203F	656-3306-304F	656-3306-204F	● Yellow		19	1080
656-3356-303F	656-3356-203F	656-3356-304F	656-3356-204F	● Orange		19	4400
656-3406-303F	656-3406-203F	656-3406-304F	656-3406-204F	● Blue		18	640
656-3008-303F	656-3008-203F	656-3008-304F	656-3008-204F	○ White	37.5 (VDC)	8.5	660
656-3108-303F	656-3108-203F	656-3108-304F	656-3108-204F	● Red			410
656-3208-303F	656-3208-203F	656-3208-304F	656-3208-204F	● Green			800
656-3308-303F	656-3308-203F	656-3308-304F	656-3308-204F	● Yellow			390
656-3358-303F	656-3358-203F	656-3358-304F	656-3358-204F	● Orange			2000
656-3408-303F	656-3408-203F	656-3408-304F	656-3408-204F	● Blue			220
656-3007-303F	656-3007-203F	656-3007-304F	656-3007-204F	○ White	72 (VDC)	8.5	660
656-3107-303F	656-3107-203F	656-3107-304F	656-3107-204F	● Red			410
656-3207-303F	656-3207-203F	656-3207-304F	656-3207-204F	● Green			800
656-3307-303F	656-3307-203F	656-3307-304F	656-3307-204F	● Yellow			390
656-3357-303F	656-3357-203F	656-3357-304F	656-3357-204F	● Orange			2000
656-3407-303F	656-3407-203F	656-3407-304F	656-3407-204F	● Blue			220
656-3005-303F	—	656-3005-304F	—	○ White	120 (VAC/VDC)	5	660
656-3105-303F	—	656-3105-304F	—	● Red			410
656-3205-303F	—	656-3205-304F	—	● Green			800
656-3305-303F	—	656-3305-304F	—	● Yellow			390
656-3355-303F	—	656-3355-304F	—	● Orange			610
656-3405-303F	—	656-3405-304F	—	● Blue			220
656-3009-303F	—	656-3009-304F	—	○ White	230 (VAC)	3	660
656-3109-303F	—	656-3109-304F	—	● Red			410
656-3209-303F	—	656-3209-304F	—	● Green			800
656-3309-303F	—	656-3309-304F	—	● Yellow			390
656-3359-303F	—	656-3359-304F	—	● Orange			610
656-3409-303F	—	656-3409-304F	—	● Blue			220

Dialight reserves the right to make changes at any time in order to supply the best product possible. The most current version of this document will always be available at: [www.dialightsignalsandcomponents.com](http://www.dialightsignalsandcomponents.com)

**Warranty Statement:** Except for the warranty expressly provided for [herein/above/below], Dialight disclaims any and all other warranties, express or implied, including, without limitation, any warranties of merchantability, fitness for a particular purpose, title, and noninfringement.



### Certifications & Ratings

- RoHS compliant
- NEMA 4X
- IP67

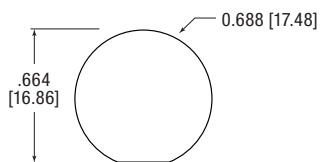
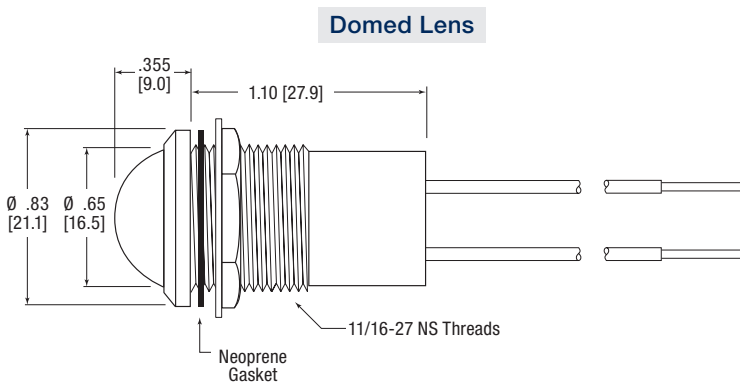
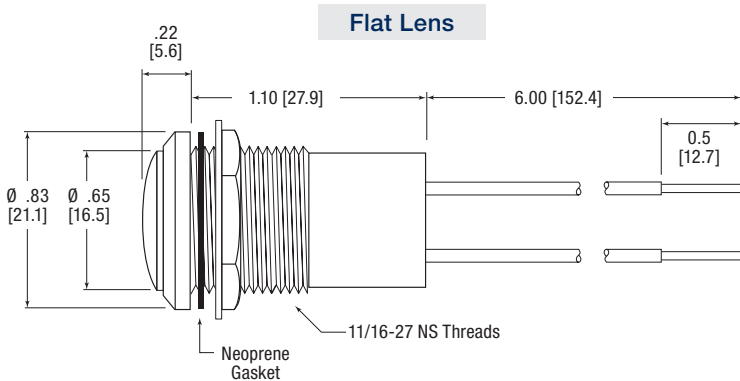
### Application

The 657 Series LED Panel Mount Indicators are designed with a highly durable watertight housing. These indicators are designed for a variety of applications such as:

- Electrical control panels
  - Wastewater treatment controls
  - Buses and transit vehicles dashboards
  - Agricultural and construction equipment dashboards
  - Aircraft and military vehicles dashboards
  - Status Indication on industrial equipment
- ... and many more!

### Dimensions

inches [mm]



### Mechanical Information

**Mounting Hole Size:** 0.687" (17.46 mm)

**Max Panel Thickness:** 0.350" (8.89 mm)

**Mounting Torque:** 15 in-lbs

### Specifications

**Voltage Options:** 5, 12, & 24 VDC (no resistor required)

**Operating Temp:** -35°C to +65°C (-31°F to +149°F)

**Storage Temp:** -40°C to +100°C (-40°F to +212°F)

### Electrical

**Connection:** 18 AWG anti-capillary wire

**Housing:** Polycarbonate (UL 94V-0)

**Lens Material:** Polycarbonate (UL 94V-0)

**Wire Leads:** 6"

**Lock Washer:** White Nickel Plated Bronze

**Nut:** White Nickel Plated Brass

## Ordering Information 657 Series

### Flat

Part Number			LED Color	Curr. (mA)	Typical Intensity (mcd)
5 VDC	12 VDC	24 VDC			

#### White Diffused Lens

5 VDC	12 VDC	24 VDC	LED Color	Curr. (mA)	Typical Intensity (mcd)
657-1002-303F	657-1003-303F	657-1004-303F	○ White	20	150
657-1502-303F	657-1503-303F	657-1504-303F	● Red		150
657-1602-303F	657-1603-303F	657-1604-303F	● Green		160
657-1702-303F	657-1703-303F	657-1704-303F	● Yellow		100
657-1802-303F	657-1803-303F	657-1804-303F	● Blue		75
657-1902-303F	657-1903-303F	657-1904-303F	● Orange		150

#### Tinted Diffused Lens

5 VDC	12 VDC	24 VDC	LED Color	Curr. (mA)	Typical Intensity (mcd)
657-1502-103F	657-1503-103F	657-1504-103F	● Red	20	650
657-1602-103F	657-1603-103F	657-1604-103F	● Green		1150
657-1702-103F	657-1703-103F	657-1704-103F	● Yellow		550
657-1802-103F	657-1803-103F	657-1804-103F	● Blue		200
657-1902-103F	657-1903-103F	657-1904-103F	● Orange		700

### Domed

Part Number			LED Color	Curr. (mA)	Typical Intensity (mcd)
5 VDC	12 VDC	24 VDC			

#### White Diffused Lens

5 VDC	12 VDC	24 VDC	LED Color	Curr. (mA)	Typical Intensity (mcd)
657-2002-303F	657-2003-303F	657-2004-303F	○ White	20	85
657-2502-303F	657-2503-303F	657-2504-303F	● Red		115
657-2602-303F	657-2603-303F	657-2604-303F	● Green		150
657-2702-303F	657-2703-303F	657-2704-303F	● Yellow		115
657-2802-303F	657-2803-303F	657-2804-303F	● Blue		70
657-2902-303F	657-2903-303F	657-2904-303F	● Orange		100

#### Tinted Diffused Lens

5 VDC	12 VDC	24 VDC	LED Color	Curr. (mA)	Typical Intensity (mcd)
657-2502-103F	657-2503-103F	657-2504-103F	● Red	20	900
657-2602-103F	657-2603-103F	657-2604-103F	● Green		1600
657-2702-103F	657-2703-103F	657-2704-103F	● Yellow		1250
657-2802-103F	657-2803-103F	657-2804-103F	● Blue		250
657-2902-103F	657-2903-103F	657-2904-103F	● Orange		1500

Part Number Guide											RoHS Compliant	
6	5	7	-	X	X	X	X	-	X	0	3	F
Lens Style			LED Color			Voltage		Lens Color				
Flat	1	○ White	0	0	2	5VDC	1	Tinted Diffused*				
Domed	2	● Red	5	0	3	12VDC	3	White Diffused				
		● Green	6	0	4	24VDC		* will be same as LED color				
		● Yellow	7	0								
		● Blue	8	0								
		● Orange	9	0								

Dialight reserves the right to make changes at any time in order to supply the best product possible. The most current version of this document will always be available at: [www.dialightsignalsandcomponents.com](http://www.dialightsignalsandcomponents.com)

Warranty Statement: Except for the warranty expressly provided for [herein/above/below], Dialight disclaims any and all other warranties, express or implied, including, without limitation, any warranties of merchantability, fitness for a particular purpose, title, and noninfringement.





## Certifications & Ratings

- RoHS compliant
- NEMA 4X
- IP67

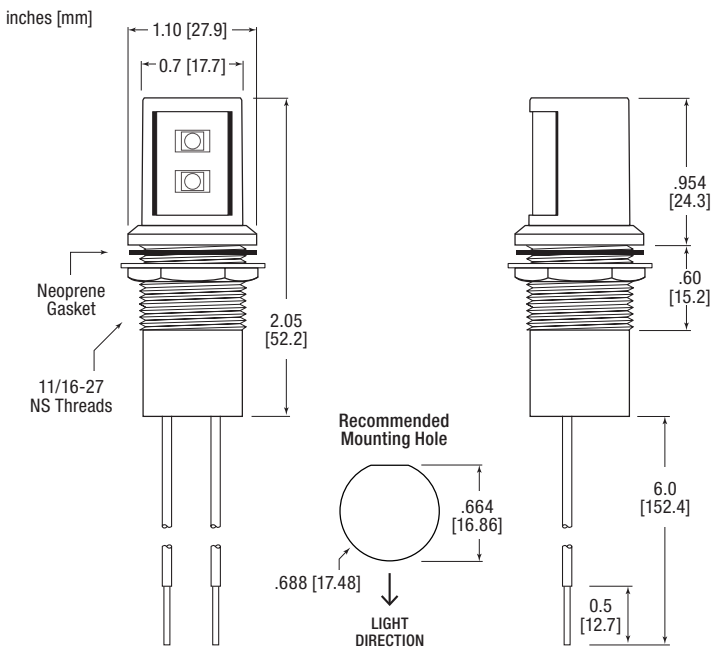
## Application

The 657 Series LED Panel Mount Indicators are designed with a highly durable watertight housing. These indicators are designed for a variety of applications such as:

- Instrument Panels
- Gauge
- Dash Boards
- Storage Compartments
- Control Panels

... and many more!

## Dimensions



## Mechanical Information

**Mounting Hole Size:** 0.687" (17.46 mm)

**Max Panel Thickness:** 0.350" (8.89 mm)

**Mounting Torque:** 15 in-lbs

## Specifications

**Voltage Options:** 12–32 VDC (no resistor required)

**Operating Temp:** -35 °C to +65 °C (-31 °F to +149 °F)

**Storage Temp:** -40 °C to +100 °C (-40 °F to +212 °F)

**Electrical Connection:** 18 AWG anti-capillary wire

**Housing:** Polycarbonate (UL 94V-0)

**Lens Material:** Transparent polycarbonate (UL 94V-0)

**Wire Leads:** 6"

**Lock Washer:** White Nickel Plated Bronze

**Nut:** White Nickel Plated Brass

## Ordering Information 657 Series

Part Number	Color	Voltage (V DC)	Current (mA)	Intensity Typ. (mcd)
657-3009-213F	○ Cool White	12–32	24	2700
657-3009-804F	● Red			1850
657-3009-803F	● Green			2600
657-3009-808F	● Orange			3500
657-3009-806F	● Blue			600

Dialight reserves the right to make changes at any time in order to supply the best product possible. The most current version of this document will always be available at: [www.dialightsignalsandcomponents.com](http://www.dialightsignalsandcomponents.com)

**Warranty Statement:** Except for the warranty expressly provided for [herein/above/below], Dialight disclaims any and all other warranties, express or implied, including, without limitation, any warranties of merchantability, fitness for a particular purpose, title, and noninfringement.





### Certifications & Ratings

- RoHS compliant

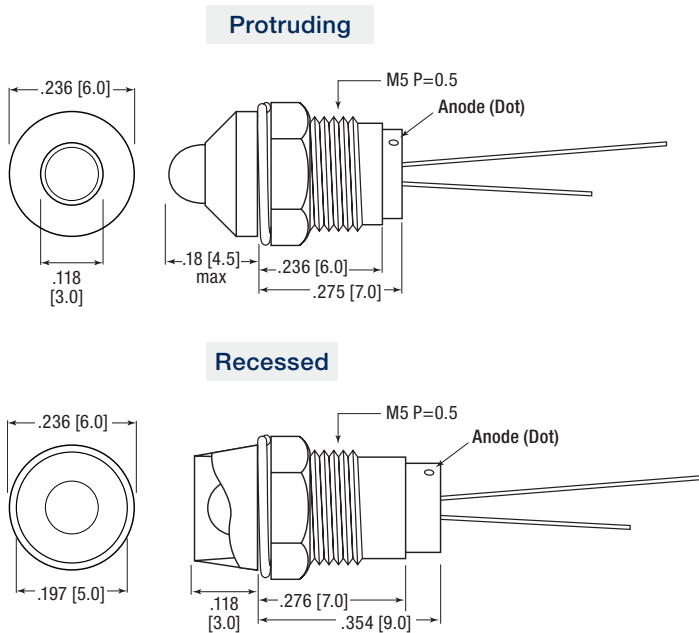
### Application

The 675 Series LED Panel Mount Indicators are designed for a variety of applications such as:

- Main power indication
  - Remote power indication
  - Status indication
  - Maintenance and warning indication
  - Instrumentation
- ... and many more!

### Dimensions

inches [mm]



### Mechanical Information

<b>Mounting Hole Size:</b>	0.205" (5.2 mm)
<b>Max Panel Thickness:</b>	0.138" (3.5 mm)
<b>Mounting Torque:</b>	0.362 lbs/ft (5 kg/cm)

### Specifications

<b>Voltage Options:</b>	2 (red, orange) and 3.3 (green, blue, white) VDC (resistor required on both voltages)
<b>Operating temp:</b>	-30 °C to +85 °C (-22 °F to +185 °F)
<b>Storage Temp:</b>	-40 °C to +100 °C (-40 °F to +212 °F)
<b>Electrical Connection:</b>	Through hole leads
<b>Housing:</b>	Brass—Chrome plated
<b>Terminals:</b>	Copper—Nickel Plated
<b>Lock washer:</b>	Iron—Nickel Plated
<b>Nut:</b>	Brass—Nickel Plated

## Ordering Information 675 Series

Part Number Guide										RoHS Compliant		
6	7	5	-	X	X	1	1	-	1	1	0	F
				LED Position		Color						
				1	1	● Red						
Protruding				2	2	● Green						
Recessed					3	● Orange						
					4	● Blue						
					5	○ White						

Part Number	Color	Voltage (V DC)	Current (mA)	Typical Intensity (mcd)
-------------	-------	----------------	--------------	-------------------------

### Protruding

675-1111-110F	● Red	2	20	9110
675-1211-110F	● Green	3.3		11380
675-1311-110F	● Orange	2		9110
675-1411-110F	● Blue	3.3		2810
675-1511-110F	○ White	3.3		5100

### Recessed

675-2111-110F	● Red	2	20	5650
675-2211-110F	● Green	3.3		11520
675-2311-110F	● Orange	2		7810
675-2411-110F	● Blue	3.3		3810
675-2511-110F	○ White	3.3		6220



### Certifications & Ratings

- RoHS compliant

### Application

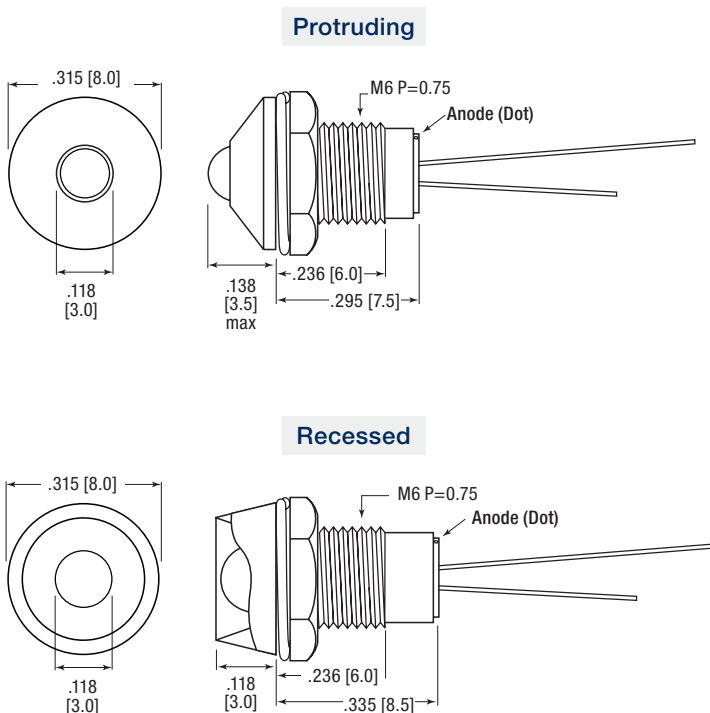
The 676 Series LED Panel Mount Indicators are designed with a highly durable watertight housing. These indicators are designed for a variety of applications such as:

- Main power indication
- Remote power indication
- Status indication
- Maintenance and warning indication
- Instrumentation

... and many more!

### Dimensions

inches [mm]



### Mechanical Information

<b>Mounting Hole Size:</b>	0.244" (6.2 mm)
<b>Max Panel Thickness:</b>	0.138" (3.5 mm)
<b>Mounting Torque:</b>	0.362 lbs/ft (5 kg/cm)

### Specifications

<b>Voltage Options:</b>	2 (red, orange) and 3.3 (green, blue, white) VDC (resistor required on both voltages)
<b>Operating temp:</b>	-30 °C to +85 °C (-22 °F to +185 °F)
<b>Storage Temp:</b>	-40 °C to +100 °C (-40 °F to +212 °F)
<b>Electrical Connection:</b>	Through hole leads
<b>Housing:</b>	Brass — Chrome Plated
<b>Terminals:</b>	Copper — Nickel Plated
<b>Lock washer:</b>	Iron — Nickel Plated
<b>Nut:</b>	Brass — Nickel Plated

## Ordering Information 676 Series

Part Number	Color	Voltage (V DC)	Current (mA)	Typical Intensity* (mcd)
-------------	-------	----------------	--------------	--------------------------

### Protruding

676-1111-110F	● Red	2	20	7720
676-1211-110F	● Green	3.3		10100
676-1311-110F	● Orange	2		7810
676-1411-110F	● Blue	3.3		2980
676-1511-110F	○ White	3.3		6150

### Recessed

676-2111-110F	● Red	2	20	5650
676-2211-110F	● Green	3.3		11520
676-2311-110F	● Orange	2		7810
676-2411-110F	● Blue	3.3		3810
676-2511-110F	○ White	3.3		6220

Dialight reserves the right to make changes at any time in order to supply the best product possible. The most current version of this document will always be available at: [www.dialightsignalsandcomponents.com](http://www.dialightsignalsandcomponents.com)

**Warranty Statement:** Except for the warranty expressly provided for [herein/above/below], Dialight disclaims any and all other warranties, express or implied, including, without limitation, any warranties of merchantability, fitness for a particular purpose, title, and noninfringement.



## Certifications & Ratings

- RoHS compliant
- NEMA 4X (with gasket)
- IP66 (with gasket)

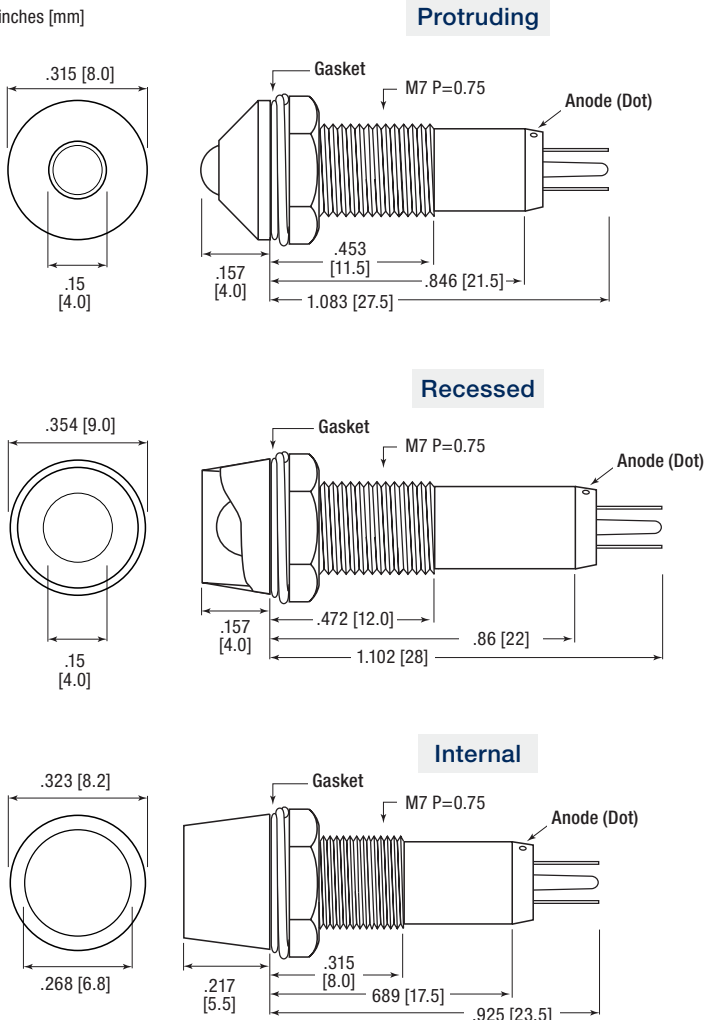
## Application

The 677 Series LED Panel Mount Indicators are designed for a variety of applications such as:

- Main power indication
  - Remote power indication
  - Status indication
  - Maintenance and warning indication
  - Instrumentation
- ... and many more!

## Dimensions

inches [mm]

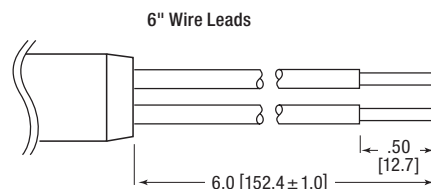


## Mechanical Information

- Mounting Hole Size:** 0.283" (7.2 mm)
- Max Panel Thickness:** See part numbers
- Mounting Torque:** 0.362 lbs/ft (5 kg/cm)  
0.217 lbs/ft or 3 kg/cm (Figure 3)

## Specifications

- Voltage Options:** 6, 12 & 24 VDC (no resistor required)
- Operating Temp:** -20°C to +75°C (-4°F to +167°F)
- Storage Temp:** -40°C to +100°C (-40°F to +212°F)
- Electrical Connection:** Solder terminals and 6" wire leads
- Housing:** Protruding & recessed positions: Brass—Chrome Plated  
Internal position: Polycarbonate
- Terminals:** Copper—Nickel Plated
- Lock Washer:** Iron—Nickel Plated
- Nut:** Brass—Nickel Plated



## Ordering Information

### 677 Series

#### Protruding

Part Number Terminals	Part Number Wire Leads	Color	Voltage (V DC)	Current (mA)	Intensity Typ. (mcd)	Panel Thickness
677-1112-321F	677-1115-321F	● Red	6	15	825	0.265" (6.75 mm)
677-1212-322F	677-1215-322F	● Green			4135	
677-1312-323F	677-1315-323F	● Orange			560	
677-1412-324F	677-1415-324F	● Blue			700	
677-1112-331F	677-1115-331F	● Red	12		825	
677-1212-332F	677-1215-332F	● Green			4135	
677-1312-333F	677-1315-333F	● Orange			560	
677-1412-334F	677-1415-334F	● Blue			700	
677-1112-341F	677-1115-341F	● Red	24		825	
677-1212-342F	677-1215-342F	● Green			4135	
677-1312-343F	677-1315-343F	● Orange			560	
677-1412-344F	677-1415-344F	● Blue			700	

#### Recessed

Part Number Terminals	Part Number Wire Leads	Color	Voltage (V DC)	Current (mA)	Intensity Typ. (mcd)	Panel Thickness
677-2112-321F	677-2115-321F	● Red	6	15	925	0.336" (8.50 mm)
677-2212-322F	677-2215-322F	● Green			4135	
677-2312-323F	677-2315-323F	● Orange			600	
677-2412-324F	677-2415-324F	● Blue			730	
677-2112-331F	677-2115-331F	● Red	12		925	
677-2212-332F	677-2215-332F	● Green			4135	
677-2312-333F	677-2315-333F	● Orange			600	
677-2412-334F	677-2415-334F	● Blue			730	
677-2112-341F	677-2115-341F	● Red	24		925	
677-2212-342F	677-2215-342F	● Green			4135	
677-2312-343F	677-2315-343F	● Orange			600	
677-2412-344F	677-2415-344F	● Blue			730	

#### Internal

Part Number Terminals	Part Number Wire Leads	Color	Voltage (V DC)	Current (mA)	Intensity Typ. (mcd)	Panel Thickness
677-3132-321F	677-3135-321F	● Red	6	15	1370	0.187" (4.75 mm)
677-3232-322F	677-3235-322F	● Green			5500	
677-3332-323F	677-3335-323F	● Orange			1280	
677-3432-324F	677-3435-324F	● Blue			1200	
677-3132-331F	677-3135-331F	● Red	12		1370	
677-3232-332F	677-3235-332F	● Green			5500	
677-3332-333F	677-3335-333F	● Orange			1280	
677-3432-334F	677-3435-334F	● Blue			1200	
677-3132-341F	677-3135-341F	● Red	24		1370	
677-3232-342F	677-3235-342F	● Green			5500	
677-3332-343F	677-3335-343F	● Orange			1280	
677-3432-344F	677-3435-344F	● Blue			1200	

Dialight reserves the right to make changes at any time in order to supply the best product possible. The most current version of this document will always be available at: [www.dialightsignalsandcomponents.com](http://www.dialightsignalsandcomponents.com)

**Warranty Statement:** Except for the warranty expressly provided for [herein/above/below], Dialight disclaims any and all other warranties, express or implied, including, without limitation, any warranties of merchantability, fitness for a particular purpose, title, and noninfringement.



## Certifications & Ratings

- RoHS compliant
- IP66 (protruding type only)

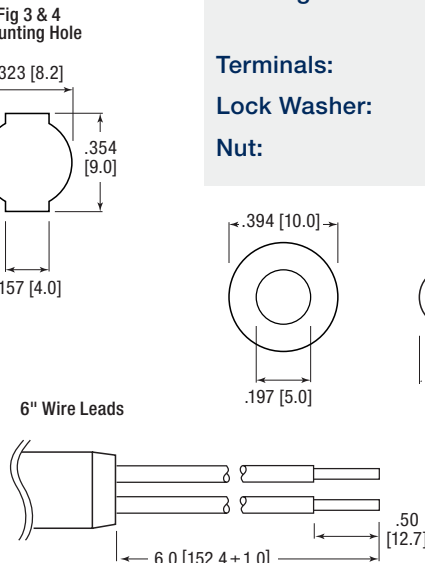
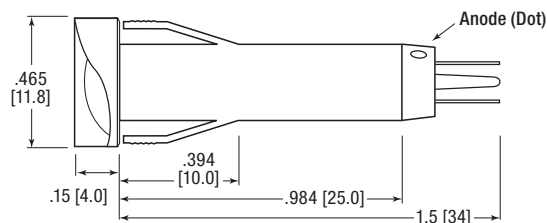
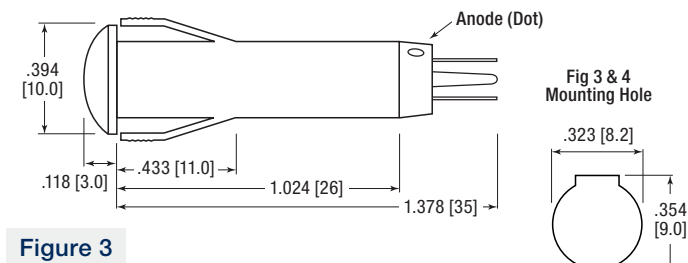
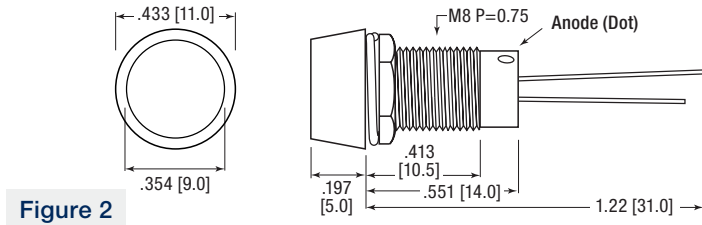
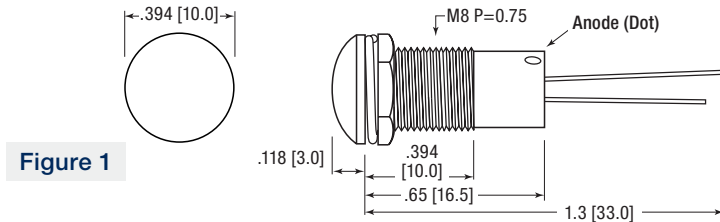
## Application

The 678 Series LED Panel Mount Indicators are designed for a variety of applications such as:

- Main power indication
  - Remote power indication
  - Status indication
  - Maintenance and warning indication
  - Instrumentation
- ... and many more!

## Dimensions

inches [mm]



## Mechanical Information

**Mounting Hole Size:** 0.323" (8.2 mm) [Fig. 1 & 2]; 0.335" (8.5 mm) [Fig. 5]; see diagram for Figs. 3 & 4

**Max Panel Thickness:** see part number table

**Mounting Torque:** 0.271 lbs/ft (3 kg/cm) [Fig. 1 & 2]  
0.362 lbs/ft (5 kg/cm) torque [Fig. 5]

## Specifications

**Operating Voltage:** 2 & 3.3 VDC [Fig. 1 & 2]; 6, 12 & 24 VDC [Fig. 3, 4, & 5] (no resistor required)

**Operating Temp:** -20°C to +75°C (-4°F to 167°F)

**Storage Temp:** -40°C to +100°C (-40°F to 212°F)

**Electrical Connection:** Straight leads [Fig. 1 & 2]; Solder terminals or 6" wire leads [Fig. 3, 4, & 5]

**Housing:** Protruding: Chrome plated brass; Internal position: Polycarbonate

**Terminals:** Copper — Nickel Plated

**Lock Washer:** Iron — Nickel Plated

**Nut:** Brass — Nickel Plated





## Ordering Information 678

Part Number	Color	Voltage (V DC)	Current (mA)	Typical Intensity (mcd)	Viewing Angle	LED Position	Fig. #	Mount Style	Panel Thickness
-------------	-------	----------------	--------------	-------------------------	---------------	--------------	--------	-------------	-----------------

### Polycarbonate

678-1131-111F	● Red	2	15	2210	4	Internal	1	Lock washer & nut	.2165" (5.5 mm)
678-1231-112F	● Green	3.3		46860					
678-1331-113F	● Orange	2		2210					
678-1431-114F	● Blue	3.3		7100					
678-3131-111F	● Red	2		3020	40		2		
678-3231-112F	● Green	3.3		30600	20				
678-3331-113F	● Orange	2		3260	20				
678-3431-114F	● Blue	3.3		4360	40				

Solder Terminals	6" Wire Leads	Color	Voltage (V DC)	Current (mA)	Typical Intensity (mcd)	Viewing Angle	LED Position	Fig. #	Mount Style	Panel Thickness		
678-1132-221F	678-1135-221F	● Red	6	15	2210	5	Internal	3	Snap-fit	0.197" (5.0 mm)		
678-1232-222F	678-1235-222F	● Green			41430	6						
678-1332-223F	678-1335-223F	● Orange			8535	10						
678-1432-224F	678-1435-224F	● Blue			5473	6						
678-1132-231F	678-1135-231F	● Red			2210	5					4	
678-1232-232F	678-1235-232F	● Green			41430	6						
678-1332-233F	678-1335-233F	● Orange			8535	10						
678-1432-234F	678-1435-234F	● Blue			5473	6						
678-1132-241F	678-1135-241F	● Red			2210	5						6
678-1232-242F	678-1235-242F	● Green			41430	6						
678-1332-243F	678-1335-243F	● Orange			8535	10						
678-1432-244F	678-1435-244F	● Blue			5473	6						
678-2132-221F	678-2135-221F	● Red			12700	5		12				
678-2232-222F	678-2235-222F	● Green			16490	15						
678-2332-223F	678-2335-223F	● Orange			5780	8						
678-2432-224F	678-2435-224F	● Blue			2514	20						
678-2132-231F	678-2135-231F	● Red			12700	5					24	
678-2232-232F	678-2235-232F	● Green			16490	15						
678-2332-233F	678-2335-233F	● Orange			5780	8						
678-2432-234F	678-2435-234F	● Blue			2514	20						
678-2132-241F	678-2135-241F	● Red			12700	5						6
678-2232-242F	678-2235-242F	● Green			16490	15						
678-2332-243F	678-2335-243F	● Orange			5780	8						
678-2432-244F	678-2435-244F	● Blue			2514	20						

### White Nickel

678-1112-321F	678-1115-321F	● Red	6	15	320	20	Protruding	5	Lock washer & nut	.3158" (8.0 mm)		
678-1212-322F	678-1215-322F	● Green			2920							
678-1312-323F	678-1315-323F	● Orange			490							
678-1412-324F	678-1415-324F	● Blue			220							
678-1112-331F	678-1115-331F	● Red			320						12	
678-1212-332F	678-1215-332F	● Green			2920							
678-1312-333F	678-1315-333F	● Orange			490							
678-1412-334F	678-1415-334F	● Blue			220							
678-1112-341F	678-1115-341F	● Red			320							24
678-1212-342F	678-1215-342F	● Green			2920							
678-1312-343F	678-1315-343F	● Orange			490							
678-1412-344F	678-1415-344F	● Blue			220							

Dialight reserves the right to make changes at any time in order to supply the best product possible. The most current version of this document will always be available at: [www.dialightsignalsandcomponents.com](http://www.dialightsignalsandcomponents.com)

**Warranty Statement:** Except for the warranty expressly provided for [herein/above/below], Dialight disclaims any and all other warranties, express or implied, including, without limitation, any warranties of merchantability, fitness for a particular purpose, title, and noninfringement.



## Certifications & Ratings

- RoHS compliant
- NEMA 4X (with gasket)
- IP66 (with gasket)

## Application

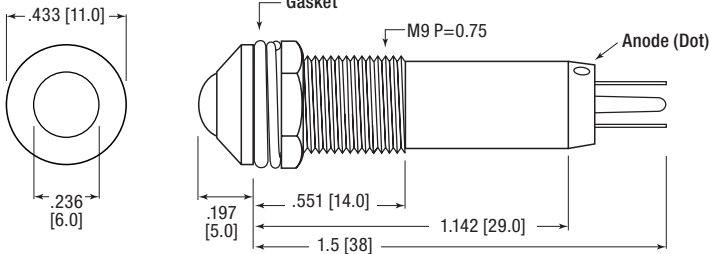
The 679 Series LED Panel Mount Indicators are designed for a variety of applications such as:

- Main power indication
  - Remote power indication
  - Status indication
  - Maintenance and warning indication
  - Instrumentation
- ... and many more!

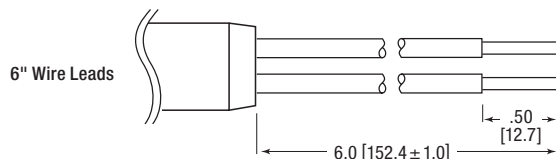
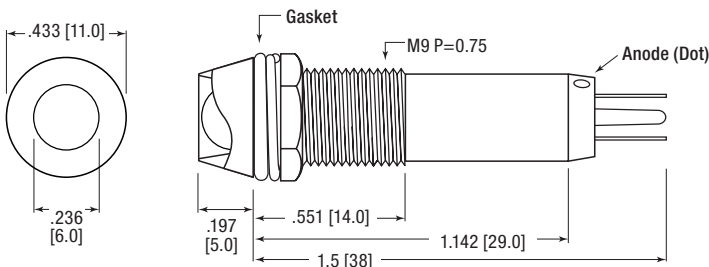
## Dimensions

inches [mm]

### Protruding



### Recessed



## Mechanical Information

<b>Mounting Hole Size:</b>	0.374" (9.5 mm)
<b>Max Panel Thickness:</b>	0.374" (9.5 mm); with Gasket: 0.318" (8.0 mm)
<b>Mounting Torque:</b>	0.362 lbs/ft (5 kg/cm)

## Specifications

<b>Voltage Options:</b>	6, 12 & 24 V DC (no resistor required)
<b>Operating Temp:</b>	-20 °C to +75 °C (-4 °F to +167 °F)
<b>Storage Temp:</b>	-40 °C to +100 °C (-40 °F to +212 °F)
<b>Electrical Connection:</b>	Solder terminals, 6" wire leads
<b>Housing:</b>	Brass—Chrome or Black Plated
<b>Terminals:</b>	Copper—Nickel Plated
<b>Lock washer:</b>	Iron—Nickel Plated
<b>Nut:</b>	Brass—Nickel Plated

## Ordering Information 679 Series

### Part Number Guide

*RoHS Compliant*

6 7 9 - X X X X - 3 X X F

LED Position		Termination		Lens Color*	
Protruding	1	2	Solder Terminals	1	Red
Recessed	2	5	6" Wire Leads	2	Green
		Plating		3	Orange
				4	Blue
				* Lens color same as LED color	
LED Color		Voltage			
Red	1	2	6VDC		
Green	2	3	12VDC		
Orange	3	4	24VDC		
Blue	4				

### Protruding LED

Part Number / Termination		Color	Voltage (V DC)	Current (mA)	Intensity Typ. (mcd)	Plating		
Solder Terminals	6" Wire Leads							
679-1112-321F	679-1115-321F	Red	6	15	485	Chrome		
679-1212-322F	679-1215-322F	Green						
679-1312-323F	679-1315-323F	Orange						
679-1412-324F	679-1415-324F	Blue						
679-1112-331F	679-1115-331F	Red	12	15	485		Chrome	
679-1212-332F	679-1215-332F	Green						
679-1312-333F	679-1315-333F	Orange						
679-1412-334F	679-1415-334F	Blue						
679-1112-341F	679-1115-341F	Red	24	15	485			Chrome
679-1212-342F	679-1215-342F	Green						
679-1312-343F	679-1315-343F	Orange						
679-1412-344F	679-1415-344F	Blue						
679-1122-321F	679-1125-321F	Red	6	15	485	Black		
679-1222-322F	679-1225-322F	Green						
679-1322-323F	679-1325-323F	Orange						
679-1422-324F	679-1425-324F	Blue						
679-1122-331F	679-1125-331F	Red	12	15	485		Black	
679-1222-332F	679-1225-332F	Green						
679-1322-333F	679-1325-333F	Orange						
679-1422-334F	679-1425-334F	Blue						
679-1122-341F	679-1125-341F	Red	24	15	485			Black
679-1222-342F	679-1225-342F	Green						
679-1322-343F	679-1325-343F	Orange						
679-1422-344F	679-1425-344F	Blue						

### Recessed LED

Part Number / Termination		Color	Voltage (V DC)	Current (mA)	Intensity Typ. (mcd)	Plating		
Solder Terminals	6" Wire Leads							
679-2112-321F	679-2115-321F	Red	6	15	775	Chrome		
679-2212-322F	679-2215-322F	Green						
679-2312-323F	679-2315-323F	Orange						
679-2412-324F	679-2415-324F	Blue						
679-2112-331F	679-2115-331F	Red	12	15	775		Chrome	
679-2212-332F	679-2215-332F	Green						
679-2312-333F	679-2315-333F	Orange						
679-2412-334F	679-2415-334F	Blue						
679-2112-341F	679-2115-341F	Red	24	15	775			Chrome
679-2212-342F	679-2215-342F	Green						
679-2312-343F	679-2315-343F	Orange						
679-2412-344F	679-2415-344F	Blue						
679-2122-321F	679-2125-321F	Red	6	15	775	Black		
679-2222-322F	679-2225-322F	Green						
679-2322-323F	679-2325-323F	Orange						
679-2422-324F	679-2425-324F	Blue						
679-2122-331F	679-2125-331F	Red	12	15	775		Black	
679-2222-332F	679-2225-332F	Green						
679-2322-333F	679-2325-333F	Orange						
679-2422-334F	679-2425-334F	Blue						
679-2122-341F	679-2125-341F	Red	24	15	775			Black
679-2222-342F	679-2225-342F	Green						
679-2322-343F	679-2325-343F	Orange						
679-2422-344F	679-2425-344F	Blue						

Dialight reserves the right to make changes at any time in order to supply the best product possible. The most current version of this document will always be available at: [www.dialightsignalsandcomponents.com](http://www.dialightsignalsandcomponents.com)

**Warranty Statement:** Except for the warranty expressly provided for [herein/above/below], Dialight disclaims any and all other warranties, express or implied, including, without limitation, any warranties of merchantability, fitness for a particular purpose, title, and noninfringement.



## Certifications & Ratings

- RoHS compliant

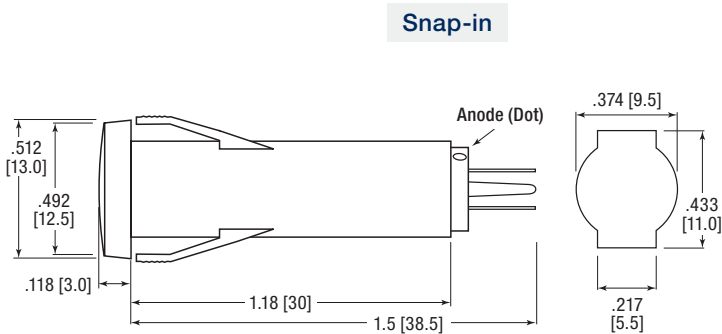
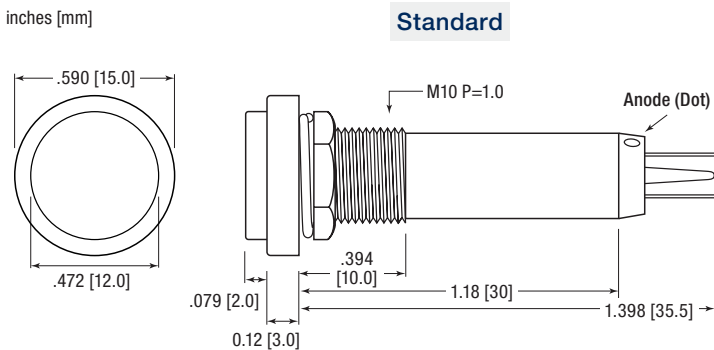
## Application

The 680 Series LED Panel Mount Indicators are designed for a variety of applications such as:

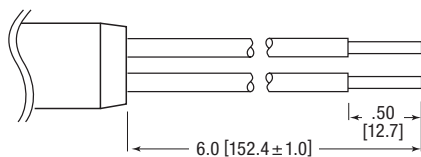
- Main power indication
  - Remote power indication
  - Status indication
  - Maintenance and warning indication
  - Instrumentation
- ... and many more!

## Dimensions

inches [mm]



## 6" Wire Leads



## Mechanical Information

**Mounting Hole Size:** 0.413" (10.5 mm) (Standard)  
Snap-in, see drawing

**Max Panel Thickness:** 0.236" (6.0 mm) (Standard);  
0.098" (2.49 mm) (Snap-in)

**Mounting Torque:** 0.217 lbs/ft (3 kg/cm) (Standard)

## Specifications

**Voltage Options:** 6, 12, & 24 VDC (no resistor required)

**Operating Temp:** -20°C to +75°C (-4°F to +167°F)

**Storage Temp:** -40°C to +100°C (-40°F to +212°F)

**Electrical Connection:** Solder terminals, 6" wire leads

**Housing:** Polycarbonate

**Terminals:** Copper—Nickel Plated

**Lock Washer:** Iron—Nickel Plated

**Nut:** Brass—Nickel Plated

## Ordering Information 680 Series

**Part Number Guide** RoHS Compliant

6 8 0 - 3 X 3 X - X X X F

LED Color*		Termination		Mounting Style		Lens Color *		Voltage	
● Red	1	Solder Terminals	2	Standard	1	1 ● Red		2	6VDC
● Green	2	6" Wire Leads	5	Snap-in	2	2 ● Green		3	12VDC
● Orange	3					3 ● Orange		4	24VDC
● Blue	4					4 ● Blue			

\* Lens color same as LED color

Dialight P/N			Color	Current (mA)	Typical Intensity (mcd)	Panel Thickness	Termination
6 VDC	12 VDC	24 VDC					

### Standard

6 VDC	12 VDC	24 VDC	Color	Current (mA)	Typical Intensity (mcd)	Panel Thickness	Termination
680-3132-121F	680-3132-131F	680-3132-141F	● Red	15	1530	0.236" (6.0mm)	Solder Terminals
680-3232-122F	680-3232-132F	680-3232-142F	● Green		4330		
680-3332-123F	680-3332-133F	680-3332-143F	● Orange		1455		
680-3432-124F	680-3432-134F	680-3432-144F	● Blue		245		
680-3135-121F	680-3135-131F	680-3135-141F	● Red		1530		Wire Leads
680-3235-122F	680-3235-132F	680-3235-142F	● Green		4330		
680-3335-123F	680-3335-133F	680-3335-143F	● Orange		1455		
680-3435-124F	680-3435-134F	680-3435-144F	● Blue		245		

### Snap-in

6 VDC	12 VDC	24 VDC	Color	Current (mA)	Typical Intensity (mcd)	Panel Thickness	Termination
680-3132-221F	680-3132-231F	680-3132-241F	● Red	15	335	0.098" (2.5mm)	Solder Terminals
680-3232-222F	680-3232-232F	680-3232-242F	● Green		4070		
680-3332-223F	680-3332-233F	680-3332-243F	● Orange		1025		
680-3432-224F	680-3432-234F	680-3432-244F	● Blue		730		
680-3135-221F	680-3135-231F	680-3135-241F	● Red		335		Wire Leads
680-3235-222F	680-3235-232F	680-3235-242F	● Green		4070		
680-3335-223F	680-3335-233F	680-3335-243F	● Orange		1025		
680-3435-224F	680-3435-234F	680-3435-244F	● Blue		730		

Dialight reserves the right to make changes at any time in order to supply the best product possible. The most current version of this document will always be available at: [www.dialightsignalsandcomponents.com](http://www.dialightsignalsandcomponents.com)

**Warranty Statement:** Except for the warranty expressly provided for [herein/above/below], Dialight disclaims any and all other warranties, express or implied, including, without limitation, any warranties of merchantability, fitness for a particular purpose, title, and noninfringement.



## Certifications & Ratings

- RoHS compliant

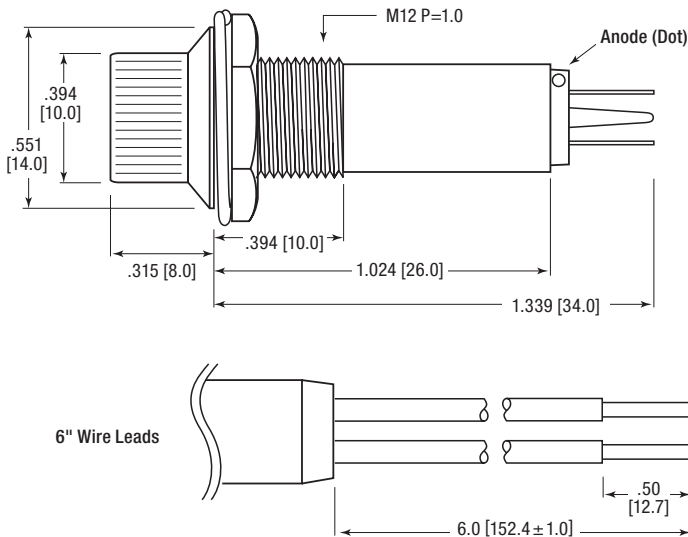
## Application

The 682 Series LED Panel Mount Indicators are designed for a variety of applications such as:

- Main power indication
  - Remote power indication
  - Status indication
  - Maintenance and warning indication
  - Instrumentation
- ... and many more!

## Dimensions

inches [mm]



## Mechanical Information

- Mounting Hole Size:** 0.492" (12.5 mm)
- Max Panel Thickness:** 0.236" (6.0 mm)
- Mounting Torque:** 0.217 lbs/ft (3 kg/cm)

## Specifications

- Voltage Options:** 6, 12 & 24VDC (no resistor required)
- Operating Temp:** -20 °C to +75 °C (-4 °F to +167 °F)
- Storage Temp:** -40 °C to +100 °C (-40 °F to +212 °F)
- Electrical Connection:** Solder terminals and 6" wire leads
- Housing:** Polycarbonate
- Terminals:** Copper—Nickel Plated
- Lock Washer:** Iron—Nickel Plated
- Nut:** Brass—Nickel Plated

## Ordering Information 682 Series

Part Number		Color	Voltage (V DC)	Current (mA)	Intensity Typ. (mcd)
Terminals	Wire Leads				
682-3132-121F	682-3135-121F	Red	6	15	510
682-3232-122F	682-3235-122F	Green			2225
682-3332-123F	682-3335-123F	Orange			510
682-3432-124F	682-3435-124F	Blue			260
682-3132-131F	682-3135-131F	Red	12	15	510
682-3232-132F	682-3235-132F	Green			2225
682-3332-133F	682-3335-133F	Orange			510
682-3432-134F	682-3435-134F	Blue			260
682-3132-141F	682-3135-141F	Red	24	15	510
682-3232-142F	682-3235-142F	Green			2225
682-3332-143F	682-3335-143F	Orange			510
682-3432-144F	682-3435-144F	Blue			260

Dialight reserves the right to make changes at any time in order to supply the best product possible. The most current version of this document will always be available at: [www.dialightsignalsandcomponents.com](http://www.dialightsignalsandcomponents.com)

**Warranty Statement:** Except for the warranty expressly provided for [herein/above/below], Dialight disclaims any and all other warranties, express or implied, including, without limitation, any warranties of merchantability, fitness for a particular purpose, title, and noninfringement.





## Certifications & Ratings

- RoHS compliant

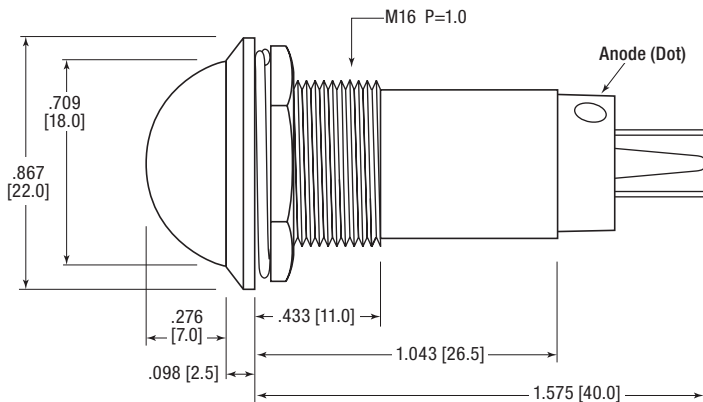
## Application

The 686 Series LED Panel Mount Indicators are designed for a variety of applications such as:

- Main power indication
  - Remote power indication
  - Status indication
  - Maintenance and warning indication
  - Instrumentation
- ... and many more!

## Dimensions

inches [mm]



## Mechanical Information

- Mounting Hole Size:** 0.650" (16.5 mm)
- Max Panel Thickness:** 0.236" (6.0 mm)
- Mounting Torque:** 0.217 lbs/ft (3 kg/cm)

## Specifications

- Voltage Options:** 6, 12 & 24VDC (no resistor required)
- Operating Temp:** -20 °C to +75 °C (-4 °F to +167 °F)
- Storage Temp:** -40 °C to +100 °C (-40 °F to +212 °F)
- Electrical Connection:** Solder terminals
- Housing:** Polycarbonate
- Terminals:** Copper—Nickel Plated
- Lock Washer:** Iron—Nickel Plated
- Nut:** Brass—Nickel Plated

## Ordering Information 686 Series

Part Number	Color	Voltage (VDC)	Current (mA)	Intensity Typ. (mcd)
686-1132-121F	Red	6	15	660
686-1232-122F	Green			8150
686-1332-123F	Orange			500
686-1432-124F	Blue			240
686-1132-131F	Red	12		660
686-1232-132F	Green			8150
686-1332-133F	Orange			500
686-1432-134F	Blue			240
686-1132-141F	Red	24		660
686-1232-142F	Green			8150
686-1332-143F	Orange			500
686-1432-144F	Blue			240

Dialight reserves the right to make changes at any time in order to supply the best product possible. The most current version of this document will always be available at: [www.dialightsignalsandcomponents.com](http://www.dialightsignalsandcomponents.com)

**Warranty Statement:** Except for the warranty expressly provided for [herein/above/below], Dialight disclaims any and all other warranties, express or implied, including, without limitation, any warranties of merchantability, fitness for a particular purpose, title, and noninfringement.



# LED Based Bulbs

## Quick Reference



### Application:

With the technological advancements in Light Emitting Diodes (LEDs) brightness can now rival the incandescent lamp when used in similar packages. These advancements have allowed for a new type of product called the Based LED - an LED with the fit and functionality of an incandescent light bulb

- High reliability - vibration and shock resistant
- Multi-chip, Cluster, and Single Ultra-Bright Chip
- AlInGaP and InGaN die technology
- Polarized and non-polarized
- Single and multi-voltage input

...and many more!

### Certifications & Ratings

- RoHS compliant

### Considerations:

- Since lens caps act as filters for the light emitted from the based LED, it is important to match the emitting color of the LED. If not matched properly, the overall light output may be substantially reduced. Dialight recommends using transparent lenses, which will optimize the light output.
- Although these lamps can be operated at a lower voltage, which will increase the life, the intensity will be reduced.
- Operation of the based LED at a higher voltage should not exceed 10% above the recommended voltage.
- Dialight does not recommend that based LED lamps be used in neon sockets.

Base Style	Configuration	Color	6 V DC	12 - 24 V DC	24 - 48 V DC	120 V AC	Polarized	6-36 V DC	ROHS Compliant
T1 3/4 Midget Flange	Single Chip	Red / Green / Yellow / Blue / White	•	•	•		Polarized		•
T1 3/4 Midget Flange	Multi Chip	Red / Green / Yellow	•	•	•		Polarized / Non-Polarized		
T1 3/4 Wedge (T5)	Single / Dual Chip	Red / Green / Yellow / Blue / White	•	•	•		Non-Polarized		•
T1 3/4 Wedge (T5)	Multi Chip	Red / Green / Yellow	•	•	•		Polarized / Non-Polarized		
T1 3/4 Bi-Pin	Single Chip	Red / Green / Yellow / Blue / White	•	•	•		Polarized		•
T1 3/4 Bi-Pin	Multi Chip	Red / Green / Yellow	•	•	•		Polarized / Non-Polarized		
T2 Telephone Slide	Single Chip	Red / Green / Yellow / Blue / White			•		Non-Polarized		•
T3 1/4 Miniature Bayonet (BA9s)	Single Chip	Red / Green / Yellow / Blue / White	•	•	•		Polarized / Non-Polarized	•	•
T3 1/4 Miniature Bayonet (BA9s)	Cluster	Red / Green / Yellow / Blue / White	•	•	•	•	Polarized / Non-Polarized		•
T3 1/4 Miniature Screw (E10)	Single Chip	Red / Green / Yellow / Blue / White	•	•	•		Non-Polarized	•	•
T3 1/4 Wedge (T10)	Cluster	Red / Green / Yellow / Blue / White	•	•	•		Non-Polarized		•
15mm Bayonet (BA15s)	Custer	Red / Green / Yellow / Blue / White		•	•		Polarized		•



# 586 Series

## Single Chip Based LED - T1 3/4 Midget Flange



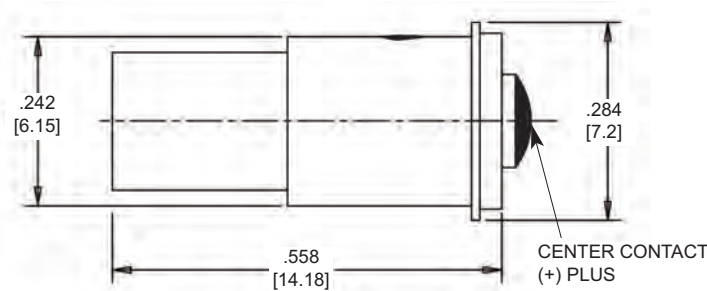
### Features/Benefits:

- RoHS compliant
- Longer life
- Energy savings - 90% less power required
- High reliability - vibration and shock resistant
- Mounts directly into industry standard socket
- AlInGaP and InGaN die technology
- Super bright single chip design
- No heat generated

### Specifications

<b>Base:</b>	T1 3/4 Midget Flange
<b>Voltage Options:</b>	6, 14, and 28 V DC
<b>Operating Temp:</b>	-40°C to +80°C (-40°F to +176°F)
<b>Storage Temp:</b>	-40°C to +100°C (-40°F to +212°F)

### Dimensions



Measurements are typical  
Dimension are in Inches [mm]

Part Number	Color	Peak Wavelength (nm)	Voltage (V DC)	Current Typ. (mA)	Intensity Typ. (mcd)
586-1101-101F	Red	639	6	10	775
586-1102-101F	Green	520	6	10	600
586-1103-101F	Yellow	592	6	10	775
586-1105-101F	Blue	467	6	10	210
586-1106-101F	White	*	6	10	460
586-1101-103F	Red	639	14	10	775
586-1102-103F	Green	520	14	10	600
586-1103-103F	Yellow	592	14	10	775
586-1105-103F	Blue	467	14	10	210
586-1106-103F	White	*	14	10	460
586-1101-105F	Red	639	28	10	775
586-1102-105F	Green	520	28	10	600
586-1103-105F	Yellow	592	28	10	775
586-1105-105F	Blue	467	28	10	210
586-1106-105F	White	*	28	10	460

\* Color coordinates: x=0.320, y=0.320

## 585 Series

### Multi-Chip Based LED - T1 3/4 Midget Flange



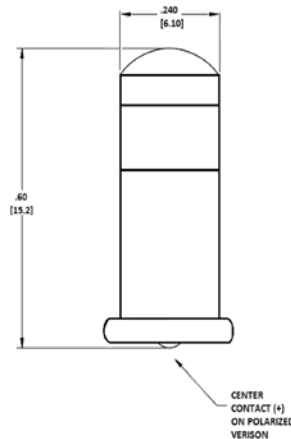
#### RoHS Compliant Features/Benefits

- Longer life
- Energy savings - 90% less power required
- Mounts directly into industry standard socket
- Polarized and non-polarized

#### Specifications

<b>Base:</b>	T1 3/4 Midget Flange
<b>Voltage Options:</b>	6, 14, and 28 V DC
<b>Operating Temp:</b>	-20°C to +60°C (-4°F to +140°F)
<b>Storage Temp:</b>	-30°C to +100°C (-22°F to +212°F)

#### Dimensions



Measurements are typical  
Dimension are in Inches [mm]

Part Number	Color	Peak Wavelength (nm)	Voltage (V DC)	Current Typ. (mA)	Intensity Typ. (mcd)
<b>Polarized LED Bulbs</b>					
585-1211	Red	660	6	50	67
585-1311	Green	565	6	46	77
585-1411	Yellow	585	6	44	22
585-1213	Red	660	14	30	60
585-1313	Green	565	14	28	70
585-1413	Yellow	585	14	30	23
585-1215	Red	660	28	16	64
585-1315	Green	565	28	15	75
585-1415	Yellow	585	28	15	23
<b>Non-Polarized LED Bulbs</b>					
585-1221	Red	660	6	75	50
585-1321	Green	565	6	67	56
585-1421	Yellow	585	6	73	18
585-1223	Red	660	14	26	50
585-1323	Green	565	14	23	56
585-1423	Yellow	585	14	24	18
585-1225	Red	660	28	14	56
585-1325	Green	565	28	13	65
585-1425	Yellow	585	28	13	20

# 586 Series

## Single Chip Based LED - T1 3/4 Wedge (T5)



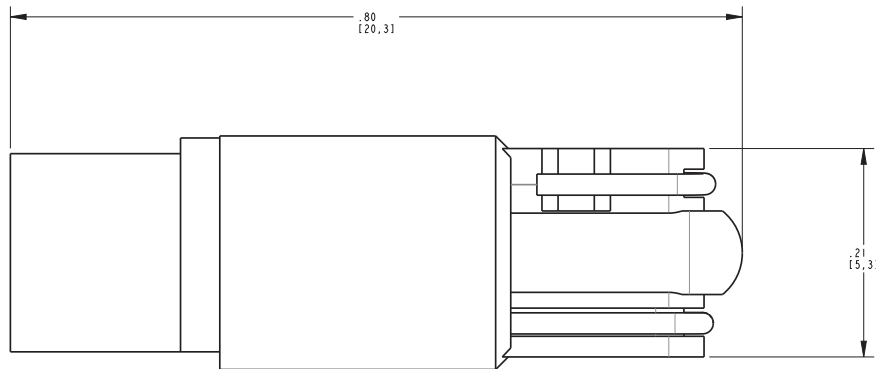
### Features/Benefits

- RoHS compliant
- Longer life
- Energy savings - 90% less power required
- High reliability - vibration and shock resistant
- Mounts directly into industry standard socket
- Wide 100 degree viewing angel
- No heat generated

### Specifications

<b>Base:</b>	T1 3/4 Midget Flange
<b>Voltage Options:</b>	6, 14, and 28 V DC
<b>Operating Temp:</b>	-40°C to +80°C (-40°F to +176°F)
<b>Storage Temp:</b>	-40°C to +100°C (-40°F to +212°F)

### Dimensions



Measurements are typical  
Dimension are in Inches [mm]

Part Number	Color	Peak Wavelength (nm)	Voltage (V DC)	Current Typ.(mA)	Intensity Typ. (mcd)
586-1A01-101F	Red	630	6	16	775
586-1A02-101F	Green	526	6	16	600
586-1A03-101F	Yellow	592	6	16	775
586-1A05-101F	Blue	472	6	16	165
586-1A06-101F	White	*	6	16	460
586-1A01-103F	Red	630	14	16	775
586-1A02-103F	Green	526	14	16	600
586-1A03-103F	Yellow	592	14	16	775
586-1A05-103F	Blue	472	14	16	165
586-1A06-103F	White	*	14	16	460
586-1A01-105F	Red	630	28	16	775
586-1A02-105F	Green	526	28	16	600
586-1A03-105F	Yellow	592	28	16	775
586-1A05-105F	Blue	472	28	16	165
586-1A06-105F	White	*	28	16	460

\* Color coordinates: x=0.320, y=0.320

# 586 Series

## Based LED - T1 3/4 Wedge (T5)



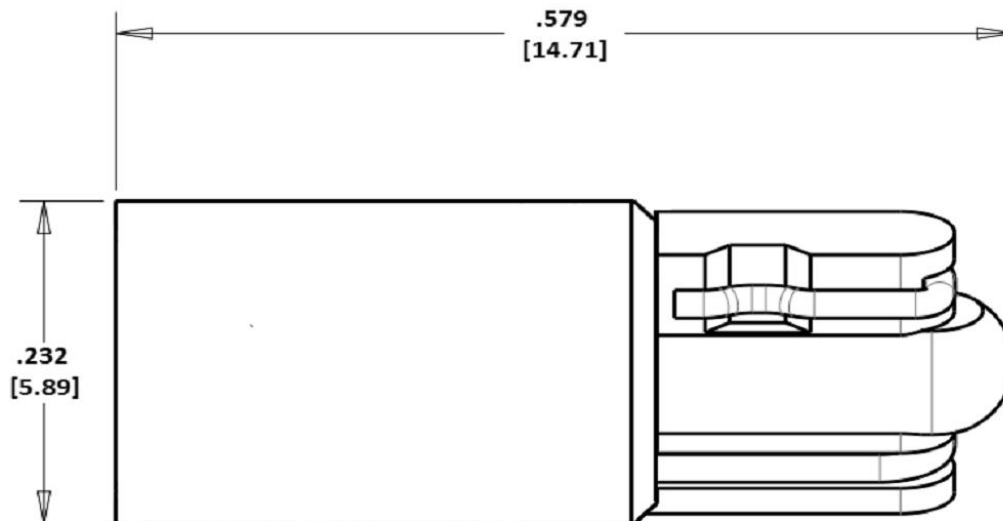
### Features/Benefits

- RoHS compliant
- Longer life
- Energy savings - 90% less power required
- High reliability - vibration and shock resistant
- Unique multi-LED design provides superior illumination
- AlInGaP and InGaN die technology
- True Non-Polarized design
- Mounts directly into industry standard socket

### Specifications

<b>Base:</b>	T1 3/4 Wedge
<b>Voltage Options:</b>	6, 12, 14 and 28 V DC
<b>Operating Temp:</b>	-30°C to +85°C (-22°F to +185°F)
<b>Storage Temp:</b>	-40°C to +100°C (-40F to +212°F)

### Dimensions



Measurements are typical  
Dimension are in Inches [mm]

# 586 Series

## Ordering Information

Part Number	Color	Peak Wavelength (nm)	Voltage (V DC)	Current Typ. (mA)	Intensity Typ. (mcd)
586-1201-201F	Red	615	6	35	450
586-1202-201F	Green	528	6	12	120
586-1203-201F	Yellow	587	6	35	450
586-1205-201F	Blue	470	6	12	50
586-1206-201F	White	*	6	15	320
586-1201-202F	Red	615	12	18	450
586-1202-202F	Green	528	12	8	170
586-1203-202F	Yellow	587	12	18	450
586-1205-202F	Blue	470	12	8	70
586-1206-202F	White	*	12	11	450
586-1201-203F	Red	615	14	20	500
586-1202-203F	Green	528	14	8.5	185
586-1203-203F	Yellow	587	14	20	500
586-1205-203F	Blue	470	14	8.5	75
586-1206-203F	White	*	14	12	500
586-1201-204F	Red	615	24	14	350
586-1202-204F	Green	528	24	10	215
586-1203-204F	Yellow	587	24	14	350
586-1205-204F	Blue	470	24	10	85
586-1206-204F	White	*	24	14	580
586-1201-205F	Red	615	28	14	350
586-1202-205F	Green	528	28	10	210
586-1203-205F	Yellow	587	28	14	350
586-1205-205F	Blue	470	28	10	80
586-1206-205F	White	*	28	14	540

\* Color coordinates: x=0.330, y=0.330

# 585 Series

## Multi-Chip Based LED - T1 3/4 Wedge



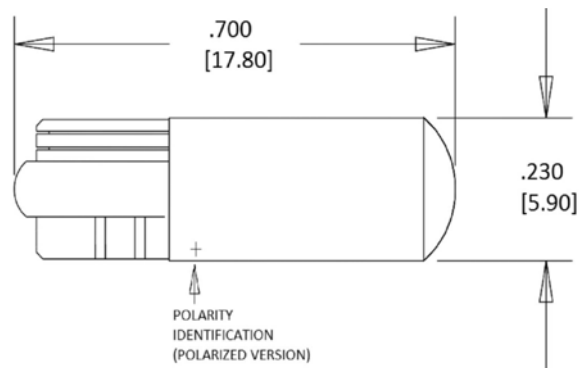
### Features/Benefits:

- Longer life
- Energy savings - 90% less power required
- High reliability - vibration and shock resistant
- Mounts directly into industry standard socket
- AllInGaP and InGaN die technology
- True non-polarized configurations available
- No heat generated

### Specifications

<b>Base:</b>	T1 3/4 Wedge
<b>Voltage Options:</b>	6, 14, and 28 V DC
<b>Operating Temp:</b>	-20°C to +60°C (-4°F to +140°F)
<b>Storage Temp:</b>	-30°C to +100°C (-22°F to +212°F)

### Dimensions



Measurements are typical  
Dimension are in Inches [mm]

Part Number	Color	Peak Wavelength (nm)	Voltage (V DC)	Current Typ. (mA)	Intensity Typ. (mcd)
<b>Polarized LED Bulbs</b>					
585-2211	Red	660	6	50	67
585-2311	Green	565	6	46	77
585-2411	Yellow	585	6	44	22
585-2213	Red	660	14	30	60
585-2313	Green	565	14	28	70
585-2413	Yellow	585	14	30	23
585-2215	Red	660	28	16	64
585-2315	Green	565	28	15	75
585-2415	Yellow	585	28	15	23
<b>Non-Polarized LED Bulbs</b>					
585-2221	Red	660	6	75	50
585-2321	Green	565	6	67	56
585-2421	Yellow	585	6	73	18
585-2223	Red	660	14	26	50
585-2323	Green	565	14	23	56
585-2423	Yellow	585	14	24	18
585-2225	Red	660	28	14	56
585-2325	Green	565	28	13	65
585-2425	Yellow	585	28	13	20

# 586 Series

## Single-Chip Based LED - T1 3/4 Bi-pin



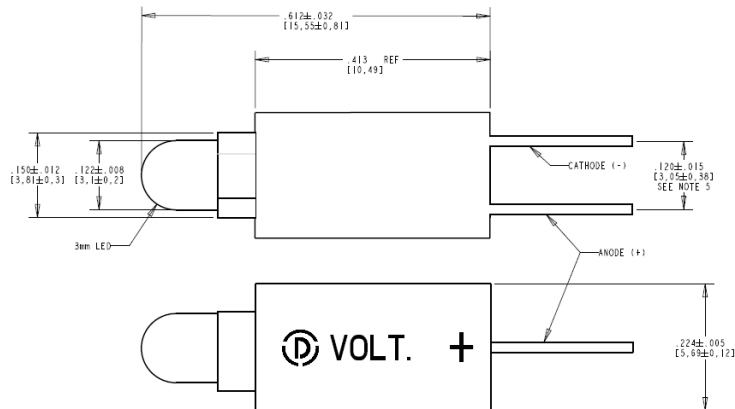
### Features/Benefits:

- RoHS compliant
- Longer life
- Energy savings - 90% less power required
- High reliability - vibration and shock resistant
- Mounts directly into industry standard socket
- AllnGaP and InGaN die technology
- Super bright single chip design
- No heat generated

### Specifications

<b>Voltage Options:</b>	6, 14, and 28 V DC
<b>Operating Temp:</b>	-30°C to +80°C (-22°F to +176°F)
<b>Storage Temp:</b>	-40°C to +85°C (-40°F to +185°F)

### Dimensions



Measurements are typical  
Dimension are in Inches [mm]

Part Number	Color	Peak Wavelength (nm)	Voltage (V DC)	Current Typ. (mA)	Intensity Typ. (mcd)
586-1301-101F	Red	626	6	10	90
586-1302-101F	Green	525	6	10	1700
586-1303-101F	Yellow	590	6	10	110
586-1305-101F	Blue	470	6	10	500
586-1306-101F	White	*	6	10	635
586-1301-103F	Red	626	14	10	90
586-1302-103F	Green	525	14	10	1700
586-1303-103F	Yellow	590	14	10	110
586-1305-103F	Blue	470	14	10	500
586-1306-103F	White	*	14	10	635
586-1301-105F	Red	626	28	10	90
586-1302-105F	Green	525	28	10	1700
586-1303-105F	Yellow	590	28	10	110
586-1305-105F	Blue	470	28	10	500
586-1306-105F	White	*	28	10	635

\* Color coordinates: x=0.320, y=0.320

## 585 Series

### Multi-Chip Based LED - T1 3/4 Bi-pin



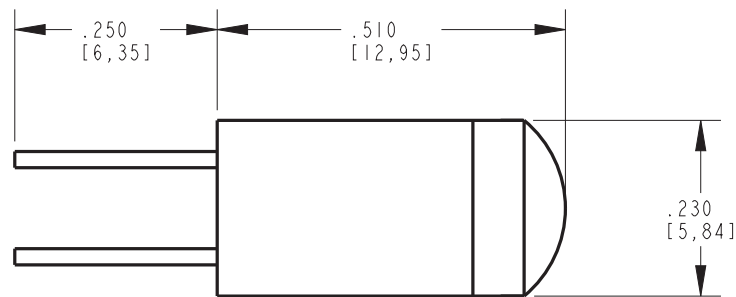
#### Features/Benefits

- Longer life
- Energy savings - 90% less power required
- Mounts directly into industry standard socket
- True non-polarized configuration available
- Polarized and non-polarized
- No heat generated

#### Specifications

<b>Voltage Options:</b>	6, 14, and 28 V DC
<b>Operating Temp:</b>	-20°C to +60°C (-4°F to +140°F)
<b>Storage Temp:</b>	-30°C to +100°C (-22°F to +212°F)

#### Dimensions



Measurements are typical  
Dimension are in Inches [mm]

Part Number	Color	Peak Wavelength (nm)	Voltage (V DC)	Current Typ. (mA)	Intensity Typ. (mcd)
<b>Polarized LED Bulbs</b>					
585-3211	Red	660	6	50	67
585-3311	Green	565	6	46	77
585-3411	Yellow	585	6	44	22
585-3213	Red	660	14	30	60
585-3313	Green	565	14	28	70
585-3413	Yellow	585	14	30	23
585-3215	Red	660	28	16	64
585-3315	Green	565	28	15	75
585-3415	Yellow	585	28	15	23
<b>Non-Polarized LED Bulbs</b>					
585-3221	Red	660	6	75	50
585-3321	Green	565	6	67	56
585-3421	Yellow	585	6	73	18
585-3223	Red	660	14	26	50
585-3323	Green	565	14	23	56
585-3423	Yellow	585	14	24	18
585-3225	Red	660	28	14	56
585-3325	Green	565	28	13	65
585-3425	Yellow	585	28	13	20



# 586 Series

## Single-Chip Based LED - T2 Telephone Slide (type 3)



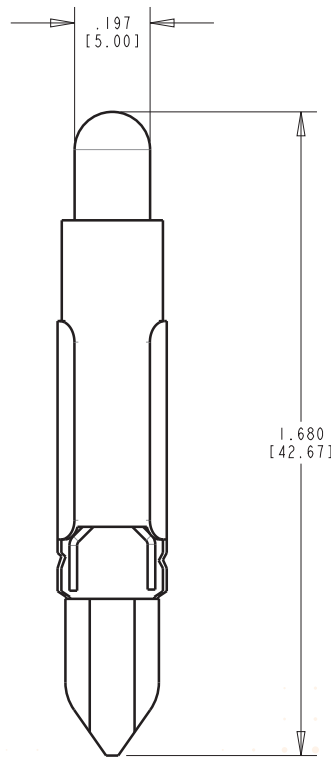
### Features/Benefits

- RoHS compliant
- Longer life
- Energy savings - 90% less power required
- High reliability - vibration and shock resistant
- Mounted directly into industry standard socket
- Super bright single-chip design
- No heat generated

### Specifications

<b>Base:</b>	T2 Telephone Slide
<b>Voltage Options:</b>	24 V DC
<b>Operating Temp:</b>	-30°C to +80°C (-22°F to +176°F)
<b>Storage Temp:</b>	-40°C to +85°C (-40F to +185°F)

### Dimensions



Measurements are typical  
Dimension are in Inches [mm]

Part Number	Color	Peak Wavelength (nm)	Voltage (V DC)	Current Typ. (mA)	Intensity Typ. (mcd)
<b>Polarized LED Bulbs</b>					
586-3501-204F	Red	622	24	25	600
586-3502-204F	Green	525	24	25	5000
586-3503-204F	Yellow	592	24	25	1700
586-3505-204F	Blue	470	24	25	1500
586-3506-204F	White	*	24	25	5600

\* Color coordinates: x=0.290, y=0.305

## 586 Series

### Single-Chip Based LED - T3-1/4 Miniature Bayonet (BA9s)



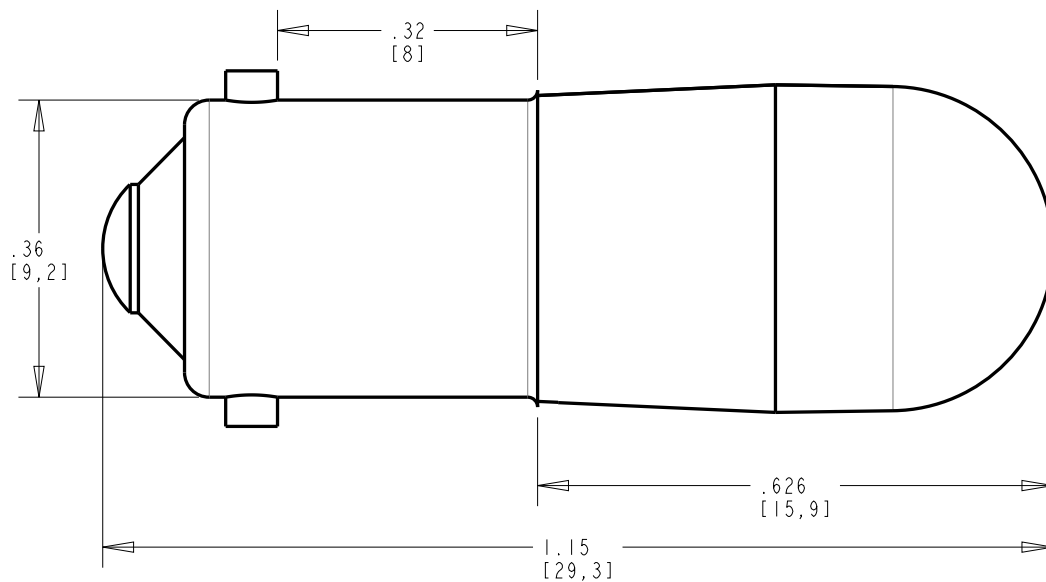
#### Features/Benefits:

- RoHS compliant
- Longer life
- Energy savings - 90% less power required
- High reliability - vibration and shock resistant
- Mounts directly into industry standard socket
- True non-polarized configurations available
- No heat generated
- Super bright single chip design

#### Specifications

<b>Base:</b>	T3 1/4 Miniature Bayonet (BA9s)
<b>Voltage Options:</b>	6, 14, and 28 V DC, 6-36 V DC
<b>Operating Temp:</b>	-30°C to +85°C (-22°F to +185°F)
<b>Storage Temp:</b>	-40°C to +100°C (-40°F to +212°F)

#### Dimensions



Measurements are typical  
Dimension are in Inches [mm]

# 586 Series

## Ordering Information

Part Number	Color	Peak Wavelength (nm)	Voltage (V DC)	Current Typ. (mA)	Intensity Typ. (mcd)
<b>Polarized LED Bulbs</b>					
586-2401-101F	Red	630	6	15	1050
586-2402-101F	Green	525	6	15	1650
586-2403-101F	Yellow	592	6	15	1275
586-2405-101F	Blue	470	6	15	487
586-2406-101F	White	*	6	15	825
586-2401-103F	Red	630	14	15	1050
586-2402-103F	Green	525	14	15	1650
586-2403-103F	Yellow	592	14	15	1275
586-2405-103F	Blue	470	14	15	487
586-2406-103F	White	*	14	15	825
586-2401-105F	Red	630	28	15	1050
586-2402-105F	Green	525	28	15	1650
586-2403-105F	Yellow	592	28	15	1275
586-2405-105F	Blue	470	28	15	487
586-2406-105F	White	*	28	15	825
586-2401-220F	Red	630	6-36	10	1000
586-2402-220F	Green	525	6-36	10	1500
586-2403-220F	Yellow	592	6-36	10	550
586-2405-220F	Blue	470	6-36	10	200
586-2406-220F	White	*	6-36	10	650
<b>Non-Polarized LED Bulbs</b>					
586-2401-201F	Red	630	6	15	1050
586-2402-201F	Green	525	6	15	1650
586-2403-201F	Yellow	592	6	15	1275
586-2405-201F	Blue	470	6	15	487
586-2406-201F	White	*	6	15	825
586-2401-203F	Red	630	14	15	1050
586-2402-203F	Green	525	14	15	1650
586-2403-203F	Yellow	592	14	15	1275
586-2405-203F	Blue	470	14	15	487
586-2406-203F	White	*	14	15	825
586-2401-205F	Red	630	28	7.5	525
586-2402-205F	Green	525	28	7.5	825
586-2403-205F	Yellow	592	28	7.5	637
586-2405-205F	Blue	470	28	7.5	243
586-2406-205F	White	*	28	7.5	412

\* Color coordinates: x=0.330, y=0.365

## 586 Series

### Daylight Viewable Cluster Based LED - T3 1/4 Miniature Bayonet Base (BA9s)



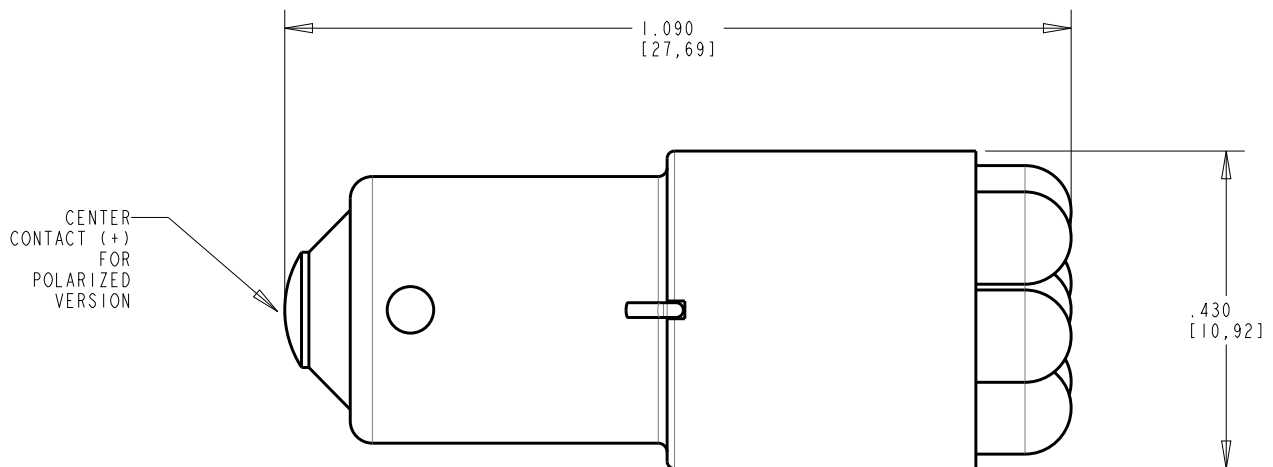
#### Features/Benefits

- RoHS compliant
- Longer life
- Energy savings - 90% less power required
- High reliability - vibration and shock resistant
- Mounts directly into industry standard sockets
- Polarized and non-polarized
- Super bright LED cluster design

#### Specifications

<b>Base:</b>	T3 1/4 Miniature Bayonet (BA9s)
<b>Voltage Options:</b>	6, 14, and 28 V DC; 120 V AC
<b>Operating Temp:</b>	-30C to +85°C (-22°F to +185°F)
<b>Storage Temp:</b>	-40°C to +100°C (-40F to +212°F)

#### Dimensions



Measurements are typical  
Dimension are in Inches [mm]

# 586 Series

## Ordering Information

Part Number	Color	Peak Wavelength (nm)	Voltage (V DC)	Forward Current Typ. (mA)	Intensity Typ. (mcd)
<b>Polarized LED Bulbs</b>					
586-6401-101F	Red	630	6	100	1000
586-6402-101F	Green	525	6	90	3800
586-6403-101F	Yellow	592	6	100	2000
586-6405-101F	Blue	470	6	90	850
586-6406-101F	White	*	6	90	4800
586-6401-103F	Red	630	14	50	1000
586-6402-103F	Green	525	14	40	3100
586-6403-103F	Yellow	592	14	50	2000
586-6405-103F	Blue	470	14	40	685
586-6406-103F	White	*	14	40	4800
586-6401-105F	Red	630	28	17	1000
586-6402-105F	Green	525	28	13	3600
586-6403-105F	Yellow	592	28	17	2000
586-6405-105F	Blue	470	28	13	780
586-6406-105F	White	*	28	13	4200
<b>Non-Polarized LED Bulbs</b>					
586-6401-201F	Red	630	6	100	1000
586-6402-201F	Green	525	6	70	3400
586-6403-201F	Yellow	592	6	100	2000
586-6405-201F	Blue	470	6	70	685
586-6406-201F	White	*	6	70	4000
586-6401-203F	Red	630	14	50	1000
586-6402-203F	Green	525	14	40	3400
586-6403-203F	Yellow	592	14	50	2000
586-6405-203F	Blue	470	14	40	685
586-6406-203F	White	*	14	40	4000
586-6401-205F	Red	630	28	18	1000
586-6402-205F	Green	525	28	11	3400
586-6403-205F	Yellow	592	28	18	2000
586-6405-205F	Blue	470	28	11	685
586-6406-205F	White	*	28	11	4000
586-6401-206F	Red	630	120 V AC	9	500
586-6402-206F	Green	526	120 V AC	9	2400
586-6403-206F	Yellow	592	120 V AC	9	1000
586-6405-206F	Blue	472	120 V AC	9	565
586-6406-206F	White	*	120 V AC	9	3000

\* Color coordinates: x=0.296, y=0.276

## 585 Series

### Cluster Based LED - T3 1/4 Miniature Bayonet (BA9s)



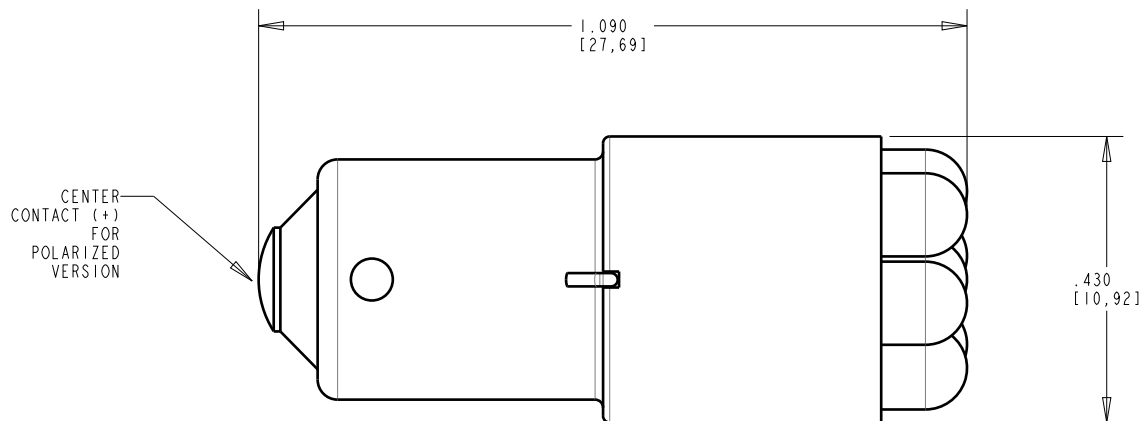
#### Features/Benefits

- Longer life
- Energy savings - 90% less power required
- High reliability - vibration and shock resistant
- Mount directly into industry standard socket
- Super bright LED cluster design
- Polarized and non-polarized
- No heat generated

#### Specifications

<b>Base:</b>	T3 1/4 Miniature Bayonet (BA9s)
<b>Voltage Options:</b>	6, 14 and 28 V DC; 120 V AC
<b>Operating Temp:</b>	-30°C to +85°C (-22°F to +185°F)
<b>Storage Temp:</b>	-40°C to +100°C (-40°F to +212°F)

#### Dimensions



Measurements are typical  
Dimension are in inches [mm]

# 585 Series

## Ordering Information

Part Number	Color	Peak Wavelength (nm)	Voltage (V DC)	Current Typ. (mA)	Intensity Typ. (mcd)
<b>Polarized LED Bulbs</b>					
585-5211F	Red	660	6	60	480
585-5311F	Green	565	6	60	420
585-5511F	Yellow	592	6	90	1800
585-5213F	Red	660	14	40	480
585-5313F	Green	565	14	40	420
585-5513F	Yellow	592	14	60	1800
585-5215F	Red	660	28	20	560
585-5315F	Green	565	28	20	490
585-5515F	Yellow	592	28	30	2100
<b>Non-Polarized LED Bulbs</b>					
585-5223F	Red	660	14	40	480
585-5323F	Green	565	14	40	420
585-5523F	Yellow	592	14	60	1800
585-5225F	Red	660	28	20	560
585-5325F	Green	565	28	20	490
585-5525F	Yellow	592	28	30	2100
585-5256F	Red	660	120 V AC	9	252
585-5356F	Green	565	120 V AC	9	220
585-5556F	Yellow	585	120 V AC	9	945

## 586 Series

### Single Chip Based LED - T3 1/4 Miniature Screw (E10)



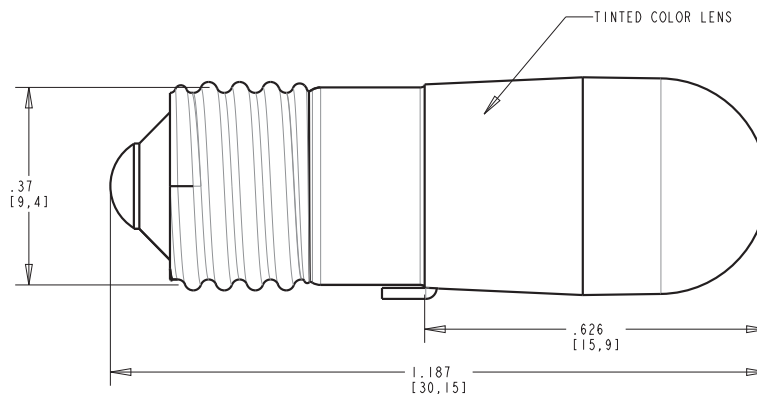
#### Features / Benefits:

- RoHS compliant
- Longer life
- Energy savings - 90% less power required
- High reliability - vibration and shock resistant
- Mounting directly into industry standard socket
- True non-polarized configuration
- Super bright single chip design

#### Specifications

<b>Base:</b>	T3 1/4 Miniature Screw (E10)
<b>Voltage Options:</b>	6, 14 and 28 V DC, 6-36 V DC
<b>Operating Temp:</b>	-30°C to +85°C (-22°F to +185°F)
<b>Storage Temp:</b>	-40°C to +100°C (-40°F to +212°F)

#### Dimensions



Measurements are typical  
Dimension are in Inches [mm]



# 586 Series

## Ordering Information

Part Number	Color	Peak Wavelength (nm)	Voltage (V DC)	Current Typ. (mA)	Intensity Typ. (mcd)
586-2701-201F	Red	630	6	15	1050
586-2702-201F	Green	525	6	15	1650
586-2703-201F	Yellow	592	6	15	1275
586-2705-201F	Blue	470	6	15	487
586-2706-201F	White	*	6	15	825
586-2701-203F	Red	630	14	15	1050
586-2702-203F	Green	525	14	15	1650
586-2703-203F	Yellow	592	14	15	1275
586-2705-203F	Blue	470	14	15	487
586-2706-203F	White	*	14	15	825
586-2701-205F	Red	630	28	7.5	525
586-2702-205F	Green	525	28	7.5	825
586-2703-205F	Yellow	592	28	7.5	637
586-2705-205F	Blue	470	28	7.5	243
586-2706-205F	White	*	28	7.5	412
586-2701-220F	Red	630	6-36	10	1000
586-2702-220F	Green	525	6-36	10	1500
586-2703-220F	Yellow	592	6-36	10	550
586-2705-220F	Blue	470	6-36	10	200
586-2706-220F	White	*	6-36	10	650

\* Color coordinates: x=0.330, y=0.365

# 586 Series

## Based LED - T3 1/4 Wedge (T10)



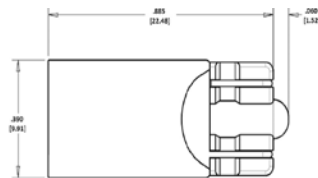
### Features/Benefits

- RoHS compliant
- Longer life
- Energy savings - 90% less power required
- High reliability - vibration and shock resistant
- Mounts directly into industry standard socket
- Unique multi-LED design provides superior illumination and ability
- No head generated

### Specifications

<b>Base:</b>	T3 1/4 Wedge (T10)
<b>Voltage Options:</b>	6, 12, 14 and 24 V DC
<b>Operating Temp:</b>	-30°C to +85°C (-22°F to +185°F)
<b>Storage Temp:</b>	-40°C to +100°C (-40°F to +212°F)

### Dimensions



Measurements are typical  
Dimension are in Inches [mm]

Part Number	Color	Peak Wavelength (nm)	Voltage (V DC)	Current Typ. (mA)	Intensity Typ. (mcd)
586-2201-201F	Red	615	6	69	770
586-2202-201F	Green	528	6	30	300
586-2203-201F	Yellow	591	6	69	550
586-2205-201F	Blue	470	6	30	90
586-2206-201F	White	*	6	30	630
586-2201-202F	Red	615	12	37	820
586-2202-202F	Green	528	12	19	380
586-2203-202F	Yellow	591	12	37	590
586-2205-202F	Blue	470	12	19	115
586-2206-202F	White	*	12	19	800
586-220A-202F	White/Yellow	* / 591	12	25	725
586-220B-202F	White/Orange	* / 610	12	25	775
586-2201-203F	Red	615	14	41	910
586-2202-203F	Green	528	14	24	480
586-2203-203F	Yellow	591	14	41	650
586-2205-203F	Blue	470	14	24	145
586-2206-203F	White	*	14	24	1000
586-220A-203F	White/Yellow	* / 591	14	25	725
586-220B-203F	White/Orange	* / 610	14	25	775
586-2201-204F	Red	615	24	19	850
586-2202-204F	Green	528	24	12	480
586-2203-204F	Yellow	591	24	19	610
586-2205-204F	Blue	470	24	12	145
586-2206-204F	White	*	24	12	1000
586-220A-204F	White/Yellow	* / 591	24	14	810
586-220B-204F	White/Orange	* / 610	24	14	870

\* Color coordinates: x=0.320, y=0.310

# 586 Series

## Cluster Based LED - 15mm Bayonet (BA15s)



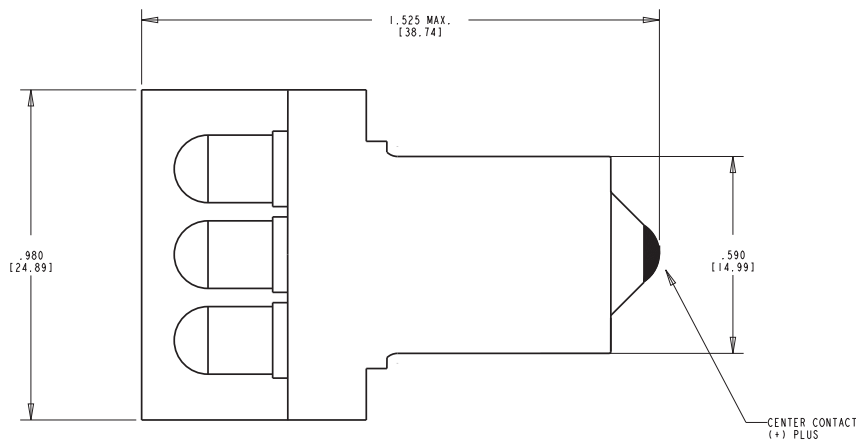
### Features/Benefits:

- RoHS compliant
- Longer life
- Energy savings - 90% less power required
- High reliability - vibration and shock resistant
- Mounts directly into industry standard socket
- No heat generated

### Specifications

<b>Base:</b>	15mm Bayonet (BA15s)
<b>Voltage Options:</b>	14 and 28 V DC
<b>Operating Temp:</b>	-30°C to +85°C (-22°F to +185°F)
<b>Storage Temp:</b>	-40°C to +100°C (-40°F to +212°F)

### Dimensions



Measurements are typical  
Dimension are in Inches [mm]

Part Number	Color	Peak Wavelength (nm)	Voltage (V DC)	Current Typ. (mA)	Intensity Typ. (mcd)
<b>Polarized LED Bulbs</b>					
586-4601-103F	Red	639	14	30	17325
586-4602-103F	Green	525	14	20	21000
586-4603-103F	Yellow	594	14	30	17325
586-4605-103F	Blue	470	14	20	6300
586-4606-103F	White	*	14	20	23800
586-4601-105F	Red	639	28	30	17325
586-4602-105F	Green	525	28	20	21000
586-4603-105F	Yellow	594	28	30	17325
586-4605-105F	Blue	470	28	20	6300
586-4606-105F	White	*	28	20	23800

\* Color coordinates: x=0.310, y=0.320

# Incandescent Lamp/Based LED

Incandescent Lamp #	Size	Base Style	Operating Voltage (V DC)	Configuration	Dialight Based LED Part Number				
					Red	Green	Yellow	Blue	White
16	T1 3/4	Wedge Base	6	Polarized	586-1A01-101	586-1A02-101	586-1A03-101	586-1A05-101	586-1A06-101
				Non-Polarized	586-1201-201	586-1202-201	586-1203-201	586-1205-201	586-1206-201
17	T1 3/4	Wedge Base	28	Polarized	586-1A01-105	586-1A02-105	586-1A03-105	586-1A05-105	586-1A06-105
				Non-Polarized	586-1201-205	586-1202-205	586-1203-205	586-1205-205	586-1206-205
18	T1 3/4	Wedge Base	14	Polarized	586-1A01-103	586-1A02-103	586-1A03-103	586-1A05-103	586-1A06-103
				Non-Polarized	586-1201-203	586-1202-203	586-1203-203	586-1205-203	586-1206-203
24	T2	Telephone Slide (Type 3)	24	Non-Polarized	586-3501-204	586-3502-204	586-3503-204	586-3505-204	586-3506-204
37	T1 3/4	Wedge Base	14	Polarized	586-1A01-103	586-1A02-103	586-1A03-103	586-1A05-103	586-1A06-103
				Non-Polarized	586-1201-203	586-1202-203	586-1203-203	586-1205-203	586-1206-203
40, 46	T3 1/4	Miniature Screw	6	Non-Polarized	586-2701-201	586-2702-201	586-2703-201	586-2705-201	586-2706-201
44, 47	T3 1/4	Miniature Bayonet (BA9s)	6	Non-Polarized	586-6401-201	586-6402-201	586-6403-201	586-6405-201	586-6406-201
				High Brightness	586-2401-201	586-2402-201	586-2403-201	586-2405-201	586-2406-201
52	T3 1/4	Miniature Screw	14	Non-Polarized	586-2701-203	586-2702-203	586-2703-203	586-2705-203	586-2706-203
56	T1 3/4	Wedge Base	6	Polarized	586-1A01-101	586-1A02-101	586-1A03-101	586-1A05-101	586-1A06-101
				Non-Polarized	586-1201-201	586-1202-201	586-1203-201	586-1205-201	586-1206-201
67	G-6	Single Contact Bayonet (BA15s)	14	Polarized	586-4601-103	586-4602-103	586-4603-103	586-4605-103	586-4606-103
70, 73, 74	T1 3/4	Wedge Base	14	Polarized	586-1A01-103	586-1A02-103	586-1A03-103	586-1A05-103	586-1A06-103
				Non-Polarized	586-1201-203	586-1202-203	586-1203-203	586-1205-203	586-1206-203
79, 84	T1 3/4	Wedge Base	6	Polarized	586-1A01-101	586-1A02-101	586-1A03-101	586-1A05-101	586-1A06-101
				Non-Polarized	586-1201-201	586-1202-201	586-1203-201	586-1205-201	586-1206-201
85	T1 3/4	Wedge Base	28	Polarized	586-1A01-105	586-1A02-105	586-1A03-105	586-1A05-105	586-1A06-105
				Non-Polarized	586-1201-205	586-1202-205	586-1203-205	586-1205-205	586-1206-205
86	T1 3/4	Wedge Base	6	Polarized	586-1A01-101	586-1A02-101	586-1A03-101	586-1A05-101	586-1A06-101
				Non-Polarized	586-1201-201	586-1202-201	586-1203-201	586-1205-201	586-1206-201
93, 97, 98, 105	G-6 / S-8	Single Contact Bayonet (BA15s)	14	Polarized	586-4601-103	586-4602-103	586-4603-103	586-4605-103	586-4606-103
124	T3 1/4	Wedge Base	14	Non-Polarized	586-2201-203	586-2202-203	586-2203-203	586-2205-203	586-2206-203
152	T3 1/4	Wedge Base	28	Non-Polarized	586-2201-205	586-2202-205	586-2203-205	586-2205-205	586-2206-205
158, 161, 168	T3 1/4	Wedge Base	14	Non-Polarized	586-2201-203	586-2202-203	586-2203-203	586-2205-203	586-2206-203
159	T3 1/4	Wedge Base	6	Non-Polarized	586-2201-201	586-2202-201	586-2203-201	586-2205-201	586-2206-201
181	T3 1/4	Miniature Bayonet (BA9s)	14	Non-Polarized	586-6401-203	586-6402-203	586-6403-203	586-6405-203	586-6406-203
				High Brightness	586-2401-203	586-2402-203	586-2403-203	586-2405-203	586-2406-203
184, 193, 194	T3 1/4	Wedge Base	14	Non-Polarized	586-2201-203	586-2202-203	586-2203-203	586-2205-203	586-2206-203
199	S-8	Single Contact Bayonet (BA15s)	14	Polarized	586-4601-103	586-4602-103	586-4603-103	586-4605-103	586-4606-103

# Incandescent Lamp/Based LED

Incandescent Lamp #	Size	Base Style	Operating Voltage (V DC)	Configuration	Dialight Based LED Part Number				
					Red	Green	Yellow	Blue	White
216	T3 1/4	Miniature Bayonet (BA9s)	14	Non-Polarized High Brightness	586-6401-203	586-6402-203	586-6403-203	586-6405-203	586-6406-203
				Non-Polarized	586-2401-203	586-2402-203	586-2403-203	586-2405-203	586-2406-203
259	T3 1/4	Wedge Base	6	Non-Polarized	586-2201-201	586-2202-201	586-2203-201	586-2205-201	586-2206-201
303, 305, 307, 315	S-8	Single Contact Bayonet (BA15s)	28	Polarized	586-4601-105	586-4602-105	586-4603-105	586-4605-105	586-4606-105
313	T3 1/4	Miniature Bayonet (BA9s)	28	Non-Polarized High Brightness	586-6401-205	586-6402-205	586-6403-205	586-6405-205	586-6406-205
				Non-Polarized	586-2401-205	586-2402-205	586-2403-205	586-2405-205	586-2406-205
327	T1 3/4	Midget Flange	28	Polarized	586-1101-105	586-1102-105	586-1103-105	586-1105-105	586-1106-105
328	T1 3/4	Midget Flange	6	Polarized	586-1101-101	586-1102-101	586-1103-101	586-1105-101	586-1106-101
330	T1 3/4	Midget Flange	14	Polarized	586-1101-103	586-1102-103	586-1103-103	586-1105-103	586-1106-103
345, 349, 350	T1 3/4	Midget Flange	6	Polarized	586-1101-101	586-1102-101	586-1103-101	586-1105-101	586-1106-101
376	T1 3/4	Midget Flange	28	Polarized	586-1101-105	586-1102-105	586-1103-105	586-1105-105	586-1106-105
377, 380, 381	T1 3/4	Midget Flange	6	Polarized	586-1101-101	586-1102-101	586-1103-101	586-1105-101	586-1106-101
382	T1 3/4	Midget Flange	14	Polarized	586-1101-103	586-1102-103	586-1103-103	586-1105-103	586-1106-103
385, 387	T1 3/4	Midget Flange	28	Polarized	586-1101-105	586-1102-105	586-1103-105	586-1105-105	586-1106-105
394	T1 3/4	Midget Flange	14	Polarized	586-1101-103	586-1102-103	586-1103-103	586-1105-103	586-1106-103
400, 464, 585, 655, 656, 657	T3 1/4	Wedge Base	28	Non-Polarized	586-2201-205	586-2202-205	586-2203-205	586-2205-205	586-2206-205
658	T3 1/4	Wedge Base	14	Non-Polarized	586-2201-203	586-2202-203	586-2203-203	586-2205-203	586-2206-203
444, 447	T3 1/4	Wedge Base	6	Non-Polarized	586-2201-201	586-2202-201	586-2203-201	586-2205-201	586-2206-201
502	T3 1/4	Miniature Screw	6	Non-Polarized	586-2701-201	586-2702-201	586-2703-201	586-2705-201	586-2706-201
555	T3 1/4	Wedge Base	6	Non-Polarized	586-2201-201	586-2202-201	586-2203-201	586-2205-201	586-2206-201
623	G-6	Single Contact Bayonet (BA15s)	28	Polarized	586-4601-105	586-4602-105	586-4603-105	586-4605-105	586-4606-105
631	G-6	Single Contact Bayonet (BA15s)	14	Polarized	586-4601-103	586-4602-103	586-4603-103	586-4605-103	586-4606-103
755	T3 1/4	Miniature Bayonet (BA9s)	6	Non-Polarized High Brightness	586-6401-201	586-6402-201	586-6403-201	586-6405-201	586-6406-201
				Non-Polarized	586-2401-201	586-2402-201	586-2403-201	586-2405-201	586-2406-201
756	T3 1/4	Miniature Bayonet (BA9s)	14	Non-Polarized High Brightness	586-6401-203	586-6402-203	586-6403-203	586-6405-203	586-6406-203
				Non-Polarized	586-2401-203	586-2402-203	586-2403-203	586-2405-203	586-2406-203
757	T3 1/4	Miniature Bayonet (BA9s)	28	Non-Polarized High Brightness	586-6401-205	586-6402-205	586-6403-205	586-6405-205	586-6406-205
				Non-Polarized	586-2401-205	586-2402-205	586-2403-205	586-2405-205	586-2406-205
1003, 1093, 1095, 1141, 1155, 1156, 1159	B-6/ S-8	Single Contact Bayonet (BA15s)	14	Polarized	586-4601-103	586-4602-103	586-4603-103	586-4605-103	586-4606-103

# Incandescent Lamp/Based LED

Incandescent Lamp #	Size	Base Style	Operating Voltage	Configuration	Dialight Based LED Part Number				
					Red	Green	Yellow	Blue	White
1203, 1251	S-8	Single Contact Bayonet (BA15s)	28	Polarized	586-4601-105	586-4602-105	586-4603-105	586-4605-105	586-4606-105
1295	S-8	Single Contact Bayonet (BA15s)	14	Polarized	586-4601-103	586-4602-103	586-4603-103	586-4605-103	586-4606-103
1308	B-6	Single Contact Bayonet (BA15s)	28	Polarized	586-4601-105	586-4602-105	586-4603-105	586-4605-105	586-4606-105
1446, 1481, 1487	T3 1/4	Miniature Screw	14	Non-Polarized	586-2701-203	586-2702-203	586-2703-203	586-2705-203	586-2706-203
1488	T3 1/4	Miniature Bayonet (BA9s)	14	Non-Polarized High Brightness	586-6401-203	586-6402-203	586-6403-203	586-6405-203	586-6406-203
				Non-Polarized	586-2401-203	586-2402-203	586-2403-203	586-2405-203	586-2406-203
1591, 1665, 1683, 1691	S-8	Single Contact Bayonet (BA15s)	28	Polarized	586-4601-105	586-4602-105	586-4603-105	586-4605-105	586-4606-105
1813, 1815	T3 1/4	Miniature Bayonet (BA9s)	14	Non-Polarized High Brightness	586-6401-203	586-6402-203	586-6403-203	586-6405-203	586-6406-203
				Non-Polarized	586-2401-203	586-2402-203	586-2403-203	586-2405-203	586-2406-203
1819, 1820	T3 1/4	Miniature Bayonet (BA9s)	28	Non-Polarized High Brightness	586-6401-205	586-6402-205	586-6403-205	586-6405-205	586-6406-205
				Non-Polarized	586-2401-205	586-2402-205	586-2403-205	586-2405-205	586-2406-205
1821	T3 1/4	Miniature Screw	28	Non-Polarized	586-2701-205	586-2702-205	586-2703-205	586-2705-205	586-2706-205
1829, 1843	T3 1/4	Miniature Bayonet (BA9s)	28	Non-Polarized High Brightness	586-6401-205	586-6402-205	586-6403-205	586-6405-205	586-6406-205
				Non-Polarized	586-2401-205	586-2402-205	586-2403-205	586-2405-205	586-2406-205
1847, 1850, 1866	T3 1/4	Miniature Bayonet (BA9s)	6	Non-Polarized High Brightness	586-6401-201	586-6402-201	586-6403-201	586-6405-201	586-6406-201
				Non-Polarized	586-2401-201	586-2402-201	586-2403-201	586-2405-201	586-2406-201
1864, 1873	T3 1/4	Miniature Bayonet (BA9s)	28	Non-Polarized High Brightness	586-6401-205	586-6402-205	586-6403-205	586-6405-205	586-6406-205
				Non-Polarized	586-2401-205	586-2402-205	586-2403-205	586-2405-205	586-2406-205
1889, 1891, 1892, 1893, 1894, 1898	T3 1/4	Miniature Bayonet (BA9s)	14	Non-Polarized High Brightness	586-6401-203	586-6402-203	586-6403-203	586-6405-203	586-6406-203
				Non-Polarized	586-2401-203	586-2402-203	586-2403-203	586-2405-203	586-2406-203
2232, 2233	S-8	Single Contact Bayonet (BA15s)	28	Polarized	586-4601-105	586-4602-105	586-4603-105	586-4605-105	586-4606-105
2306	T1 3/4	Bi-Pin	6	Polarized	586-1301-101	586-1302-101	586-1303-101	586-1305-101	586-1306-101
2312, 2314	T1 3/4	Bi-Pin	28	Polarized	586-1301-105	586-1302-105	586-1303-105	586-1305-105	586-1306-105
2323	T1 3/4	Bi-Pin	6	Polarized	586-1301-101	586-1302-101	586-1303-101	586-1305-101	586-1306-101
2324, 2325	T1 3/4	Bi-Pin	28	Polarized	586-1301-105	586-1302-105	586-1303-105	586-1305-105	586-1306-105

# Relampable Lamp Holders and Caps

## Cross Reference



### 250 & 508 Holders use 507 Cartridges and 515 Connectors

<b>Mounting Hole Size:</b>	3/8" (9.53mm)
<b>Light Source:</b>	Neon Cartridge Incandescent Cartridge LED Cartridge
<b>Available Colors:</b>	Red, Yellow, White, Clear, Green
<b>Voltage:</b>	105-125V AC/DC (Neon) 10, 14, 28, 48, 120V DC (Incandescent & LED)
<b>Termination:</b>	Bi-Pins, Solder, turret
<b>Mounting Style:</b>	Front or Rear

\*For more information please go to [www.dialight.com](http://www.dialight.com)



### 004 Holder uses 004 Caps and 113 Caps

<b>Mounting Hole Size:</b>	15/32" (11.91mm)
<b>Light Source:</b>	T1 3/4 Midget Flange
<b>Available Colors:</b>	Red, Clear
<b>Voltage:</b>	1.35-28V
<b>Termination:</b>	Solder or Screw
<b>Mounting Style:</b>	Front

\*For more information please go to [www.dialight.com](http://www.dialight.com)

\*See incandescent lamp cross reference guide for based LED bulbs available



### 101 Holder uses 101 Caps, 111 Caps, 140 Caps

<b>Mounting Hole Size:</b>	15/32" (11.91mm)
<b>Light Source:</b>	T1 3/4 Midget Flange
<b>Available Colors:</b>	Red, Yellow, White, Clear, Green
<b>Voltage:</b>	1.35-28V
<b>Termination:</b>	Solder
<b>Mounting Style:</b>	Front or Rear

\*For more information please go to [www.dialight.com](http://www.dialight.com)

\*See incandescent lamp cross reference guide for based LED bulbs available



### 812 Holder uses 812 Caps

<b>Mounting Hole Size:</b>	15/32" (11.91mm)
<b>Light Source:</b>	T1 3/4 Midget Flange
<b>Available Colors:</b>	Red, Yellow, White, Clear, Green
<b>Voltage:</b>	1.35-28V
<b>Termination:</b>	Solder
<b>Mounting Style:</b>	Rear

\*For more information please go to [www.dialight.com](http://www.dialight.com)

\*See incandescent lamp cross reference guide for based LED bulbs available

# Relampable Lamp Holders and Caps

## Cross Reference



### 137 Holder uses 137 caps

<b>Mounting Hole Size:</b>	15/32" (11.91mm)
<b>Light Source:</b>	T2 Neon Midget Flange
<b>Available Colors:</b>	Red, Yellow, White, Clear
<b>Voltage:</b>	105-125V AC/DC
<b>Termination:</b>	Solder
<b>Mounting Style:</b>	Front

\*For more information please go to [www.dialight.com](http://www.dialight.com)



### 162 Holder uses 162 caps

<b>Mounting Hole Size:</b>	15/32" (11.91mm)
<b>Light Source:</b>	T1 3/4 Midget Flange
<b>Available Colors:</b>	Red, Green, Yellow, White, Clear
<b>Voltage:</b>	1.35-28V
<b>Termination:</b>	Solder
<b>Mounting Style:</b>	Front

\*For more information please go to [www.dialight.com](http://www.dialight.com)

\*See incandescent lamp cross reference guide for based LED bulbs available



### 177 Holder uses 177 caps

<b>Mounting Hole Size:</b>	15/32" (11.91mm)
<b>Light Source:</b>	T1 3/4 Midget Flange
<b>Available Colors:</b>	Red, Green, Yellow, White, Clear
<b>Voltage:</b>	1.35-28V
<b>Termination:</b>	Solder
<b>Mounting Style:</b>	Front

\*For more information please go to [www.dialight.com](http://www.dialight.com)

\*See incandescent lamp cross reference guide for based LED bulbs available



### 270 Holder uses 270 caps, 271 Holder uses 271 caps

<b>Mounting Hole Size:</b>	15/32" (11.91mm)
<b>Light Source:</b>	T1 3/4 Midget Flange Incandescent
<b>Available Colors:</b>	Red, Green, Yellow, Clear
<b>Voltage:</b>	1.35-28V
<b>Termination:</b>	Solder or Screw
<b>Mounting Style:</b>	Front

\*For more information please go to [www.dialight.com](http://www.dialight.com)

\*See incandescent lamp cross reference guide for based LED bulbs available



### 021 Series

<b>Mounting Hole Size:</b>	11/16" (17.46mm)
<b>Light Source:</b>	T3 1/4 Miniature Bayonet (BA9s)
<b>Available Colors:</b>	Clear
<b>Voltage:</b>	2-120V
<b>Termination:</b>	Solder or Screw
<b>Mounting Style:</b>	Front

\*For more information please go to [www.dialight.com](http://www.dialight.com)

\*See incandescent lamp cross reference guide for based LED bulbs available



# Relampable Lamp Holders and Caps

## Cross Reference



### 081 Holder uses 081 Caps, 052 Caps, 095 Caps, 135 Caps

<b>Mounting Hole Size:</b>	11/16" (17.46mm)
<b>Light Source:</b>	T3 1/4 Miniature Neon Bayonet
<b>Available Colors:</b>	Red, Yellow, White, Clear
<b>Voltage:</b>	105-125V AC/DC
<b>Termination:</b>	Solder or Screw
<b>Mounting Style:</b>	Front

\*For more information please go to [www.dialight.com](http://www.dialight.com)

\*See incandescent lamp cross reference guide for based LED bulbs available



### 125 Holder uses 125 Caps

<b>Mounting Hole Size:</b>	11/16" (17.46mm)
<b>Light Source:</b>	T3 1/4 Miniature Bayonet (BA9s)
<b>Available Colors:</b>	Red, Yellow, Green, White, Clear
<b>Voltage:</b>	2-120V
<b>Termination:</b>	Solder or Screw
<b>Mounting Style:</b>	Front

\*For more information please go to [www.dialight.com](http://www.dialight.com)

\*See incandescent lamp cross reference guide for based LED bulbs available



### 125 Holder uses 125 Caps

<b>Mounting Hole Size:</b>	11/16" (17.46mm)
<b>Light Source:</b>	T3 1/4 Miniature Neon Bayonet
<b>Available Colors:</b>	Red, Yellow, White, Clear
<b>Voltage:</b>	105-125 AC/DC
<b>Termination:</b>	Solder or Screw, Quick-Connect
<b>Mounting Style:</b>	Front

\*For more information please go to [www.dialight.com](http://www.dialight.com)

\*See incandescent lamp cross reference guide for based LED bulbs available



### 123 Holder uses 123 Caps

<b>Mounting Hole Size:</b>	11/16" (17.46mm)
<b>Light Source:</b>	T3 1/4 Miniature Bayonet (BA9s)
<b>Available Colors:</b>	Red, Yellow, Green, White, Clear
<b>Voltage:</b>	2-120V
<b>Termination:</b>	Solder or Screw
<b>Mounting Style:</b>	Front

\*For more information please go to [www.dialight.com](http://www.dialight.com)

\*See incandescent lamp cross reference guide for based LED bulbs available



### 095 Holder uses 095 caps, 135 caps

<b>Mounting Hole Size:</b>	11/16" (17.46mm)
<b>Light Source:</b>	T3 1/4 Miniature Bayonet (BA9s)
<b>Available Colors:</b>	Red, Yellow, Green, White, Clear
<b>Voltage:</b>	2-120V
<b>Termination:</b>	Solder or Screw, Quick-Connect
<b>Mounting Style:</b>	Front

\*For more information please go to [www.dialight.com](http://www.dialight.com)

\*See incandescent lamp cross reference guide for based LED bulbs available

# Relampable Lamp Holders and Caps

## Cross Reference



### 031 Holder uses 031 Caps

<b>Mounting Hole Size:</b>	1" (25.40mm)
<b>Light Source:</b>	S-6 Candelabra Screw Incandescent
<b>Available Colors:</b>	Red, Yellow, Green, White, Clear
<b>Voltage:</b>	6-250V AC/DC
<b>Termination:</b>	Screw
<b>Mounting Style:</b>	Front

\*For more information please go to [www.dialight.com](http://www.dialight.com)



### 051 Holder uses 051 Caps

<b>Mounting Hole Size:</b>	1" (25.40mm)
<b>Light Source:</b>	T3 1/4 Miniature Bayonet (BA9s)
<b>Available Colors:</b>	Red, Yellow, Green, White, Clear
<b>Voltage:</b>	2-120V
<b>Termination:</b>	Solder or Screw
<b>Mounting Style:</b>	Front

\*For more information please go to [www.dialight.com](http://www.dialight.com)

\*See incandescent lamp cross reference guide for based LED bulbs available



### 080 Holder uses 080 Caps, 051 Caps

<b>Mounting Hole Size:</b>	1" (25.40mm)
<b>Light Source:</b>	S-6 Candelabra Screw Incandescent
<b>Available Colors:</b>	Red, Yellow, Green, White, Clear
<b>Voltage:</b>	6-250V AC/DC
<b>Termination:</b>	Solder or Screw
<b>Mounting Style:</b>	Front

\*For more information please go to [www.dialight.com](http://www.dialight.com)



### 103 Holder uses 103 Caps

<b>Mounting Hole Size:</b>	1" (25.40mm)
<b>Light Source:</b>	S-6 Candelabra Screw Incandescent
<b>Available Colors:</b>	Red, Yellow, Green, White, Clear
<b>Voltage:</b>	6-250V AC/DC
<b>Termination:</b>	Solder or Screw
<b>Mounting Style:</b>	Front

\*For more information please go to [www.dialight.com](http://www.dialight.com)



### 103 Holder uses 103 Caps

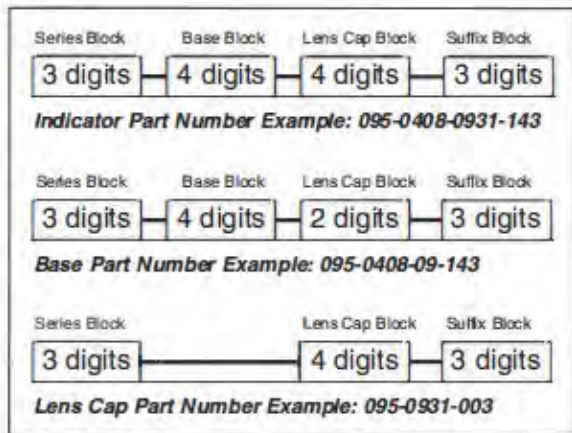
<b>Mounting Hole Size:</b>	1" (25.40mm)
<b>Light Source:</b>	S-6 Double Contact Bayonet
<b>Available Colors:</b>	Red, Yellow, Green, White, Clear
<b>Voltage:</b>	24-250V AC/DC
<b>Termination:</b>	Solder or Screw
<b>Mounting Style:</b>	Front

\*For more information please go to [www.dialight.com](http://www.dialight.com)



# Neon & Incandescent Panel Mount Indicator Part Numbering System

Dialight Neon and Incandescent Panel Mount Indicators are available as complete assemblies from our distributor partners or from us as separate lens cap and base. Our Part Numbering System shown below describes how valid Dialight part numbers are configured. The Dialight Part Numbering System should not be used for creating part numbers since not all combinations are manufacturable. Please consult Dialight or our stocking distributors for those items not found in this catalog.



**STEP 1 Lens Shape and Material**

095 - 0408 - **09** 31 - 143  
 095 - **09** 31 - 003

The first two digits in the Lens Cap Block of the indicator, base or cap part numbers designate the lens shape and material. In this example, 09 = plastic stovepipe.

Lens Code	Description
00	Rectangular, plastic
01	Convex, polycarbonate
02	Flat, polycarbonate
03	Flat, plastic
04	Convex, faceted, polycarbonate
05	Torpedo, polycarbonate
06	Convex, plastic
08	Dome, plastic
09	Stovepipe, plastic
11	Stovepipe, polycarbonate with bezel
12	Dome, polycarbonate
13	Torpedo faceted, polycarbonate
14	Short cylindrical, plastic
15	Long cylindrical, plastic
16	Long cylindrical, fresnel, plastic
18	Square, plastic
21	Faceted, plastic
29	Light shield
31	Stovepipe, polycarbonate
32	Short cylindrical, polycarbonate
33	Short cylindrical, fresnel, plastic
34	Rectangular, plastic
35	Short cylindrical, fresnel, polycarbonate
37	Short stovepipe, fresnel, plastic
50	Black opaque side wall

**STEP 2 Lens Finish and Color**

095 - 0408 - 09 **31** - 143

The third and fourth digits of the Lens Cap Block designate the lens finish and color respectively. In this example, 31 = a transparent red lens.

- |                              |                       |
|------------------------------|-----------------------|
| <b>Lens Finish</b>           | <b>Lens Color</b>     |
| 1 - Back Frosted*            | 1 - Red               |
| 3 - Unfrosted or Transparent | 2 - Green             |
| 5 - Light Translucent        | 3 - Yellow (Amber)    |
| 7 - Dark Translucent**       | 4 - Blue              |
| 9 - Internal Fluting         | 5 - White             |
|                              | 6 - Light Yellow      |
|                              | 7 - Clear (Colorless) |

\* Not available with Lens Color Option 5 (White)  
 \*\* Not available with Lens Color Option 7 (Clear/Colorless)

**STEP 3 Metal Finish**

095 - 0408 - 0931 - **1** 43

The first digit of the Suffix Block designates metal finish. In this example, 1 = white nickel plated metal finish.

- |                     |                    |
|---------------------|--------------------|
| <b>Metal Finish</b> |                    |
| 0 - None            | 4 - Satin Chrome   |
| 1 - White Nickel    | 5 - Black Anodized |
| 2 - Black Nickel    | 6 - Clear Anodized |
| 3 - Polished Chrome | 7 - Chromate       |

**STEP 4 Built-in Resistor**

095 - 0408 - 0931 - 1 **4** 3

The second digit of the Suffix Block designates built-in resistor. In this neon indicator example, 4 = 56K internal resistor.

- |          |          |
|----------|----------|
| 0 - None | 4 - 56K  |
| 1 - 2K   | 6 - 68K  |
| 2 - 27K  | 7 - 100K |
| 3 - 33K  |          |

**STEP 5 Hardware**

095 - 0408 - 0931 - 14 **3**

The third digit of the Suffix Block designates type of hardware. In this example, 3 = watertight.

- |                |                           |
|----------------|---------------------------|
| 0 - None       | 4 - Aluminum              |
| 1 - Brass      | 5 - Three rings           |
| 2 - Steel      | 6 - Ring, lockwasher, nut |
| 3 - Watertight | 7 - Insulated mounting    |

\* Due to inventory purposes the 14 digit part number has now been separated into the appropriate cap and base numbers.

# Military Panel Mount Indicators

**LHC** = lampholder with cap

**LH** = lampholder only

**LC** = lens cap only

All indicators must meet or exceed Military specifications.

All lamps are daylight viewable.



## 359 Series LH73/1, LC11

<b>Mounting Hole Size:</b>	15/32" (11.91mm)
<b>Light Source:</b>	T1 3/4 Midget
<b>Available Colors:</b>	Red, Green, Yellow
<b>Voltage:</b>	2.7-28V
<b>Termination:</b>	Solder Tabs
<b>Mounting Style:</b>	Nut and Washer
<b>Relampable:</b>	Yes

\*For more information please go to [www.dialight.com](http://www.dialight.com)

\*See incandescent lamp cross reference guide for based LED bulbs available



## 360 Series LH73/1, LC11, LC12, LC29

<b>Mounting Hole Size:</b>	15/32" (11.91mm)
<b>Light Source:</b>	T1 3/4 Midget
<b>Available Colors:</b>	Red, Green, Yellow
<b>Voltage:</b>	2.7-28V
<b>Termination:</b>	Solder Tabs
<b>Mounting Style:</b>	Nut and Washer
<b>Relampable:</b>	Yes

\*For more information please go to [www.dialight.com](http://www.dialight.com)

\*See incandescent lamp cross reference guide for based LED bulbs available



## 361 Series LH74/1, LC13

<b>Mounting Hole Size:</b>	15/32" (11.91mm)
<b>Light Source:</b>	T2 (C7A) Neon
<b>Available Colors:</b>	Red, Yellow, Clear
<b>Voltage:</b>	120 VAC/DC
<b>Termination:</b>	Solder Tabs
<b>Mounting Style:</b>	Nut and Washer
<b>Relampable:</b>	Yes

\*For more information please go to [www.dialight.com](http://www.dialight.com)



## 363 Series LH73/2, LC25

<b>Mounting Hole Size:</b>	15/32" (11.91mm)
<b>Light Source:</b>	T1 3/4 Midget
<b>Available Colors:</b>	Red, Yellow, Clear
<b>Voltage:</b>	2.7-28V
<b>Termination:</b>	Solder Tabs
<b>Mounting Style:</b>	Nut and Washer
<b>Relampable:</b>	Yes

\*For more information please go to [www.dialight.com](http://www.dialight.com)

\*See incandescent lamp cross reference guide for based LED bulbs available

# Military Panel Mount Indicators

**LHC** = lampholder with cap

**LH** = lampholder only

**LC** = lens cap only

All indicators must meet or exceed Military specifications.

All lamps are daylight viewable.



## 367 Series LH89/1, LC25

<b>Mounting Hole Size:</b>	15/32" (11.91mm)
<b>Light Source:</b>	T1 3/4 Midget
<b>Available Colors:</b>	Red, Green, Yellow
<b>Voltage:</b>	2.7-28V
<b>Termination:</b>	Solder Tabs
<b>Mounting Style:</b>	Nut and Washer
<b>Relampable:</b>	Yes
<b>Features:</b>	Oiltight

\*For more information please go to [www.dialight.com](http://www.dialight.com)

\*See incandescent lamp cross reference guide for based LED bulbs available



## 368 and 369 Series LH89/1, LC35. LC36. LC37

<b>Mounting Hole Size:</b>	15/32" (11.91mm)
<b>Light Source:</b>	T1 3/4 Midget
<b>Available Colors:</b>	Red, Green, Yellow
<b>Voltage:</b>	2.7-28V
<b>Termination:</b>	Solder Tabs
<b>Mounting Style:</b>	Nut and Washer
<b>Relampable:</b>	Yes
<b>Features:</b>	Oiltight

\*For more information please go to [www.dialight.com](http://www.dialight.com)

\*See incandescent lamp cross reference guide for based LED bulbs available



## 800 Series MS25041

<b>Mounting Hole Size:</b>	15/32" (11.91mm)
<b>Light Source:</b>	T1 3/4 Midget
<b>Available Colors:</b>	Red, Green, Yellow
<b>Voltage:</b>	2.7-28V
<b>Termination:</b>	Solder Tabs
<b>Mounting Style:</b>	Nut and Washer
<b>Relampable:</b>	Yes
<b>Features:</b>	Press to Test

\*For more information please go to [www.dialight.com](http://www.dialight.com)

\*See page 74-76 for Based LED Bulbs Available



## 801 Series MS25041

<b>Mounting Hole Size:</b>	15/32" (11.91mm)
<b>Light Source:</b>	T1 3/4 Midget
<b>Available Colors:</b>	Red, Green, Yellow
<b>Voltage:</b>	2.7-28V
<b>Termination:</b>	Solder Tabs
<b>Mounting Style:</b>	Nut and Washer
<b>Relampable:</b>	Yes
<b>Features:</b>	Press to Test

\*For more information please go to [www.dialight.com](http://www.dialight.com)

\*See incandescent lamp cross reference guide for based LED bulbs available

# Military Panel Mount Indicators

**LHC** = lampholder with cap

**LH** = lampholder only

**LC** = lens cap only

All indicators must meet or exceed Military specifications.

All lamps are daylight viewable.



## 803 Series MS25331

<b>Mounting Hole Size:</b>	5/8" (15.88mm)
<b>Light Source:</b>	T3 1/4 Mini Bayonet (BA9s)
<b>Available Colors:</b>	Red, Green, Yellow, Clear, Blue
<b>Voltage:</b>	2.7-28V
<b>Termination:</b>	Solder Tabs
<b>Mounting Style:</b>	Nut and Washer
<b>Relampable:</b>	Yes
<b>Features:</b>	Press to Test

\*For more information please go to [www.dialight.com](http://www.dialight.com)

\*See incandescent lamp cross reference guide for based LED bulbs available



## 804 Series MS25331

<b>Mounting Hole Size:</b>	5/8" (15.88mm)
<b>Light Source:</b>	T3 1/4 Mini Bayonet
<b>Available Colors:</b>	Red, Green, Yellow, Clear, Blue
<b>Voltage:</b>	2.7-28V
<b>Termination:</b>	Solder Tabs
<b>Mounting Style:</b>	Nut and Washer
<b>Relampable:</b>	Yes
<b>Features:</b>	Press to Test

\*For more information please go to [www.dialight.com](http://www.dialight.com)

\*See incandescent lamp cross reference guide for based LED bulbs available



## 373 Series LH76/1, LH 6/2, LH76/3, LC14

<b>Mounting Hole Size:</b>	11/16" (17.46mm)
<b>Light Source:</b>	T3 1/4 Neon, T3 1/4 Mini Bayonet (BA9s)
<b>Available Colors:</b>	Red, Green, Yellow, White, Clear, Blue
<b>Voltage:</b>	2-120V
<b>Termination:</b>	Solder Tabs
<b>Mounting Style:</b>	Nut and Washer
<b>Relampable:</b>	Yes
<b>Features:</b>	Watertight Lens available for Semi and blackout

\*For more information please go to [www.dialight.com](http://www.dialight.com)



## 375 Series LH76/1, LH7 6/2, LH7 6/3, LC17

<b>Mounting Hole Size:</b>	11/16" (17.46mm)
<b>Light Source:</b>	T3 1/4 Neon, T3 1/4 Mini Bayonet (BA9s)
<b>Available Colors:</b>	Red, Green, Yellow, White, Clear, Blue
<b>Voltage:</b>	2-120V
<b>Termination:</b>	Solder Tabs
<b>Mounting Style:</b>	Nut and Washer
<b>Relampable:</b>	Yes
<b>Features:</b>	Watertight Lens available for Semi and blackout

\*For more information please go to [www.dialight.com](http://www.dialight.com)

# Military Panel Mount Indicators

**LHC** = lampholder with cap

**LH** = lampholder only

**LC** = lens cap only

All indicators must meet or exceed Military specifications.

All lamps are daylight viewable.



## 376 Series LH76/1, LH76/2, LH76/3, LC14, LC17, LC18

<b>Mounting Hole Size:</b>	11/16" (17.46mm)
<b>Light Source:</b>	T3 1/4 Neon, T3 1/4 Mini Bayonet (BA9s)
<b>Available Colors:</b>	Red, Green, Yellow, White, Clear, Blue
<b>Voltage:</b>	2-120V
<b>Termination:</b>	Solder Tabs
<b>Mounting Style:</b>	Nut and Washer
<b>Relampable:</b>	Yes
<b>Features:</b>	Watertight Lens available for Semi and blackout

\*For more information please go to [www.dialight.com](http://www.dialight.com)



## 378 Series LH79/1, LC21

<b>Mounting Hole Size:</b>	1" (25.40mm)
<b>Light Source:</b>	S-6 Double Contact Bayonet
<b>Available Colors:</b>	Red, Green, Yellow, White, Clear, Blue
<b>Voltage:</b>	S6-32V
<b>Termination:</b>	Solder Tabs
<b>Mounting Style:</b>	Nut and Washer
<b>Relampable:</b>	Yes
<b>Features:</b>	Lens available for Semi and blackout

\*For more information please go to [www.dialight.com](http://www.dialight.com)



## 379 Series LH79/1, LC24

<b>Mounting Hole Size:</b>	1" (25.40mm)
<b>Light Source:</b>	S-6 Double Contact Bayonet
<b>Available Colors:</b>	Red, Green, Yellow, White, Clear, Blue
<b>Voltage:</b>	24-250V
<b>Termination:</b>	Solder Tabs
<b>Mounting Style:</b>	Nut and Washer
<b>Relampable:</b>	Yes
<b>Features:</b>	Lens available for Semi and blackout

\*For more information please go to [www.dialight.com](http://www.dialight.com)



## 380 and 381 Series LH80/1, LC24

<b>Mounting Hole Size:</b>	1" (25.40mm)
<b>Light Source:</b>	S-6 Double Contact Bayonet
<b>Available Colors:</b>	Red, Green, Yellow, White, Clear, Blue
<b>Voltage:</b>	24-250V
<b>Termination:</b>	Solder Tabs
<b>Mounting Style:</b>	Nut and Washer
<b>Relampable:</b>	Yes
<b>Features:</b>	Lens available for Semi and blackout

\*For more information please go to [www.dialight.com](http://www.dialight.com)

# Military cross reference guide

LC and LH, MS Military Designations to Dialight Part Numbers

MILITARY SPECIFICATION:

MIL-DTL-3661C-Lampholders, Indicator Lights, Indicator-Light Housings, Indicator-Light Lenses

<u>MILITARY DESIGNATION</u>	<u>DIALIGHT PART NO.</u>	<u>MILITARY DESIGNATION</u>	<u>DIALIGHT PART NO.</u>	<u>MILITARY DESIGNATION</u>	<u>DIALIGHT PART NO.</u>
LC11BN2.....	178-0334-500	LC17RN3.....	*203-0131-203	LC23GN3.....	209-0132-203
LC11BT2.....	178-0374-500	LC17WT3.....	*203-0135-203	LC23RD3.....	209-0111-203
LC11CN2.....	*178-0337-500	LC17YD3.....	203-0113-203	LC23RN3.....	*209-0131-203
LC11GN2.....	178-0332-500	LC17YN3.....	*203-0133-203	LC23WT3.....	*209-0135-203
LC11GT2.....	178-0372-500	LC18BD3.....	204-0114-203	LC23YD3.....	209-0113-203
LC11RN2.....	*178-0331-500	LC18BN3.....	204-0134-203	LC23YN3.....	*209-0133-203
LC11RT2.....	178-0371-500	LC18CD3.....	204-0117-203	LC24BD3.....	210-0114-203
LC11WT2.....	178-0375-500	LC18CN3.....	*204-0137-203	LC24BN3.....	210-0134-203
LC11YN2.....	*178-0333-500	LC18GD3.....	204-0112-203	LC24CD3.....	210-0117-203
LC11YT2.....	178-0373-500	LC18GN3.....	204-0132-203	LC24CN3.....	*210-0137-203
LC12BN2.....	162-0934	LC18RD3.....	204-0111-203	LC24GD3.....	210-0112-203
LC12BT2.....	162-0974	LC18RN3.....	*204-0131-203	LC24GN3.....	210-0132-203
LC12CN2.....	*162-0937	LC18YD3.....	204-0113-203	LC24RD3.....	210-0111-203
LC12GN2.....	162-0932	LC18YN3.....	*204-0133-203	LC24RN3.....	*210-0131-203
LC12GT2.....	162-0972	LC19BD3.....	169-1114-203	LC24WT3.....	*210-0135-203
LC12RN2.....	*162-0931	LC19BN3.....	169-1134-203	LC24YD3.....	210-0113-203
LC12RT2.....	162-0971	LC19CD3.....	169-1117-203	LC24YN3.....	*210-0133-203
LC12WT2.....	162-0975	LC19CN3.....	*169-1137-203	LC25BN2.....	239-0334-500
LC12YN2.....	*162-0933	LC19GD3.....	169-1112-203	LC25BT2.....	239-0374-500
LC12YT2.....	162-0973	LC19GN3.....	169-1132-203	LC25CN2.....	*239-0337-500
LC13CN2.....	*137-0937	LC19RD3.....	169-1111-203	LC25GN2.....	239-0332-500
LC13RN2.....	*137-0931	LC19RN3.....	*169-1131-203	LC25GT2.....	239-0372-500
LC13WT2.....	*137-0935	LC19WT3.....	*169-1135-203	LC25RN2.....	*239-0331-500
LC13YN2.....	*137-0933	LC19YD3.....	169-1113-203	LC25RT2.....	239-0371-500
LC14BD3.....	081-0114-203	LC19YN3.....	*169-1133-203	LC25WT2.....	239-0375-500
LC14BN3.....	081-0134-203	LC20BN3.....	169-1194-203	LC25YN2.....	*239-0333-500
LC14CD3.....	081-0117-203	LC20CN3.....	*169-1197-203	LC25YT2.....	239-0373-500
LC14CN3.....	*081-0137-203	LC20GN3.....	169-1192-203	LC29BN2.....	162-1434
LC14GD3.....	081-0112-203	LC20RN3.....	*169-1191-203	LC29BT2.....	162-1474
LC14GN3.....	081-0132-203	LC20WT3.....	*169-1195-203	LC29CN2.....	*162-1437
LC14RD3.....	081-0111-203	LC20YN3.....	*169-1193-203	LC29GN2.....	162-1432
LC14RN3.....	*081-0131-203	LC21BD3.....	051-0114-203	LC29GT2.....	162-1472
LC14WT3.....	*081-0135-203	LC21BN3.....	051-0134-203	LC29RN2.....	*162-1431
LC14YD3.....	081-0113-203	LC21CD3.....	051-0117-203	LC29RT2.....	162-1471
LC14YN3.....	*081-0133-203	LC21CN3.....	*051-0137-203	LC29WT2.....	162-1475
LC15BD3.....	026-1114-203	LC21GD3.....	051-0112-203	LC29YN2.....	*162-1433
LC15BN3.....	026-1134-203	LC21GN3.....	051-0132-203	LC29YT2.....	162-1473
LC15CN3.....	*026-1137-203	LC21RD3.....	051-0111-203	LC30BN3.....	250-3534-500
LC15GD3.....	026-1112-203	LC21RN3.....	*051-0131-203	LC30GN3.....	250-3532-500
LC15GN3.....	026-1132-203	LC21WT3.....	*051-0135-203	LC30RN3.....	250-3531-500
LC15RD3.....	026-1111-203	LC21YD3.....	051-0113-203	LC30WT3.....	250-3535-500
LC15RN3.....	*026-1131-203	LC21YN3.....	*051-0133-203	LC30YN3.....	250-3533-500
LC15WT3.....	*026-1135-203	LC22BD3.....	080-0514-203	LC32BT2.....	250-1474-500
LC15YD3.....	026-1113-203	LC22BN3.....	080-0534-203	LC32GT2.....	250-1472-500
LC15YN3.....	*026-1133-203	LC22CD3.....	080-0517-203	LC32RT2.....	250-1471-500
LC16BN3.....	026-1194-203	LC22CN3.....	*080-0537-203	LC32WT2.....	250-1475-500
LC16CN3.....	*026-1197-203	LC22GD3.....	080-0512-203	LC32YT2.....	250-1473-500
LC16GN3.....	026-1192-203	LC22GN3.....	080-0532-203	LC33CN2.....	*130-0937-003
LC16RN3.....	*026-1191-203	LC22RD3.....	080-0511-203	LC33RN2.....	*130-0931-003
LC16WT3.....	*026-1195-203	LC22RN3.....	*080-0531-203	LC33WT2.....	*130-0935-003
LC16YN3.....	*026-1193-203	LC22WT3.....	*080-0535-203	LC33YN2.....	*130-0933-003
LC17BD3.....	203-0114-203	LC22YD3.....	080-0513-203	LC34CN2/DO2.....	*271-0171
LC17BN3.....	203-0134-203	LC22YN3.....	*080-0533-203	LC34CN2/SO2.....	*271-0272
LC17CD3.....	203-0117-203	LC23BD3.....	209-0114-203	LC34EN2/DO2.....	*271-0111
LC17CN3.....	*203-0137-203	LC23BN3.....	209-0134-203	LC34EN2/EN2.....	*271-3111
LC17GD3.....	203-0112-203	LC23CD3.....	209-0117-203	LC34EN2/SO2.....	*271-0212
LC17GN3.....	203-0132-203	LC23CN3.....	*209-0137-203	LC35BN2.....	128-0934-003
LC17RD3.....	203-0111-203	LC23GD3.....	209-0112-203	LC35BT2.....	128-0974-003

\* Can be used with Based LED Replacement Lamps



# Military cross reference guide

LC and LH, MS Military Designations to Dialight Part Numbers

## MILITARY SPECIFICATION:

MIL-DTL-3661C-Lampholders, Indicator Lights, Indicator-Light Housings, Indicator-Light Lenses

<u>MILITARY DESIGNATION</u>	<u>DIALIGHT PART NO.</u>	<u>MILITARY DESIGNATION</u>	<u>DIALIGHT PART NO.</u>	<u>MILITARY DESIGNATION</u>	<u>DIALIGHT PART NO.</u>
LC35CN2.....	*128-0937-003	LH88/2.....	366-8864-09-523	MS18236-1YN.....	507-5338-0933-630
LC35GN2.....	128-0932-003	LH89/1.....	367-8430-09-503	MS18236-2CN.....	507-5337-0937-670
LC35GT2.....	128-0972-003	LH90/1.....	370-8738-504	MS18236-2RN.....	507-5337-0931-670
LC35RN2.....	*128-0931-003	LH90/2.....	371-8738-14-504	MS18236-2WT.....	507-5337-0935-670
LC35RT2.....	128-0971-003	LH90/3.....	371-8760-14-504	MS18236-2YN.....	507-5337-0933-670
LC35WT2.....	128-0975-003	LH92/1.....	271-8430-702	MS18237-1CN.....	507-5338-1537-630
LC35YN2.....	*128-0933-003	LHC82/1BT2.....	252-9951-0974	MS18237-1RN.....	507-5338-1531-630
LC35YT2.....	128-0973-003	LHC82/1CN2.....	252-9951-0937	MS18237-1WT.....	507-5338-1535-630
LC36BD2.....	160-0114-203	LHC82/1GT2.....	252-9951-0972	MS18237-1YN.....	507-5338-1533-630
LC36CD2.....	160-0117-203	LHC82/1RT2.....	252-9951-0971	MS18237-2CN.....	507-5337-1537-670
LC36GD2.....	160-0112-203	LHC82/1WT2.....	252-9951-0975	MS18237-2RN.....	507-5337-1531-670
LC36RD2.....	160-0111-203	LHC82/1YT2.....	252-9951-0973	MS18237-2WT.....	507-5337-1535-670
LC36YD2.....	160-0113-203	MS18235-1BT.....	507-3909-1474-600	MS18237-2YN.....	507-5337-1533-670
LC37BD2.....	161-0114-203	MS18235-1CN.....	507-3909-1437-600	MS18238-1.....	507-6022-1437-600
LC37CD2.....	161-0117-203	MS18235-1GT.....	507-3909-1472-600	MS18238-2.....	507-6023-1437-600
LC37GD2.....	161-0112-203	MS18235-1RT.....	507-3909-1471-600	MS25256-2.....	*162-8430-0933-502
LC37RD2.....	161-0111-203	MS18235-1WT.....	507-3909-1475-600	MS25256-4.....	162-8430-0932-502
LC37YD2.....	161-0113-203	MS18235-1YT.....	507-3909-1473-600	MS25256-6.....	*162-8430-0931-502
LH73/1.....	359-8430-09-502	MS18235-2BT.....	507-3914-1474-600	MS25256-8.....	*162-8430-0937-502
LH73/2.....	362-8430-09-702	MS18235-2CN.....	507-3914-1437-600	MS25256-10.....	162-8430-0975-502
LH74/1.....	361-8836-09-552	MS18235-2GT.....	507-3914-1472-600	MS25256-12.....	162-8430-0934-502
LH74/2.....	361-8864-09-522	MS18235-2RT.....	507-3914-1471-600	MS25257-2.....	137-8836-0933-552
LH74/3.....	364-8836-09-752	MS18235-2WT.....	507-3914-1475-600	MS25257-4.....	137-8836-0931-552
LH74/4.....	364-8864-09-722	MS18235-2YT.....	507-3914-1473-600	MS25257-6.....	137-8836-0937-552
LH76/1.....	373-0408-01-273	MS18235-3BT.....	507-3918-1474-600	MS25446-2**.....	252-9951-0974
LH76/2.....	373-0463-01-223	MS18235-3CN.....	507-3918-1437-600	MS25446-3**.....	252-9951-0972
LH76/3.....	373-0410-01-203	MS18235-3GT.....	507-3918-1472-600	MS25446-4**.....	252-9951-0971
LH77/1.....	377-0408-11-273	MS18235-3RT.....	507-3918-1471-600	MS25446-5**.....	252-9951-0975
LH77/2.....	377-0463-11-223	MS18235-3WT.....	507-3918-1475-600	MS25446-6**.....	252-9951-0973
LH77/3.....	377-0410-11-203	MS18235-3YT.....	507-3918-1473-600	MS25446-7**.....	252-9951-0937
LH79/1.....	378-3404-01-203	MS18236-1CN.....	507-5338-0937-630		
LH80/1.....	378-3402-01-203	MS18236-1RN.....	507-5338-0931-630		
LH88/1.....	366-8836-09-553	MS18236-1WT.....	507-5338-0935-630		

\*\* See LHC82/1

## MILITARY SPECIFICATION:

*MIL-L-7806-Light, Panel Plastic Plate Lighting*

MS25010A11A.....	*270-1930-0111-702	MS25010B11A.....	*270-1830-0111-702	MS25010C11B.....	*271-8430-0111-702
MS25010A12A.....	*270-1930-0171-702	MS25010B12A.....	*270-1830-0171-702	MS25010C12B.....	*271-8430-0171-702
MS25010A13A.....	*270-1930-3111-702	MS25010B13A.....	*270-1830-3111-702	MS25010C13B.....	*271-8430-3111-702
MS25010A14A.....	CONSULT FACTORY	MS25010B14A.....	CONSULT FACTORY	MS25010C14B.....	*271-8430-3171-702
MS25010A15A.....	*270-1930-0212-702	MS25010B15A.....	*270-1830-0212-702	MS25010C15B.....	*271-8430-0212-702
MS25010A16A.....	*270-1930-0272-702	MS25010B16A.....	*270-1830-0272-702	MS25010C16B.....	*271-8430-0272-702

## MILITARY SPECIFICATION:

*MIL-L-7961C-Light, Indicator, Press-to-Test*

MS25041-1.....	*801-1030-0337-504	MS25041-7.....	800-1030-0332-504	MS25331-3.....	804-1710-0332-504
MS25041-2.....	*801-1030-0331-504	MS25041-8.....	*800-1030-0333-504	MS25331-4.....	804-1710-0333-504
MS25041-3.....	801-1030-0332-504	MS25041-10.....	801-1030-0334-504	MS25331-5.....	803-1710-0337-504
MS25041-4.....	*801-1030-0333-504	MS25041-11.....	800-1030-0334-504	MS25331-6.....	803-1710-0331-504
MS25041-5.....	*800-1030-0337-504	MS25331-1.....	804-1710-0337-504	MS25331-7.....	803-1710-0332-504
MS25041-6.....	*800-1030-0331-504	MS25331-2.....	804-1710-0331-504	MS25331-8.....	803-1710-0333-504

\*Can be used with Based LED Replacement Lamps.





Компания «ЭлектроПласт» предлагает заключение долгосрочных отношений при поставках импортных электронных компонентов на взаимовыгодных условиях!

Наши преимущества:

- Оперативные поставки широкого спектра электронных компонентов отечественного и импортного производства напрямую от производителей и с крупнейших мировых складов;
- Поставка более 17-ти миллионов наименований электронных компонентов;
- Поставка сложных, дефицитных, либо снятых с производства позиций;
- Оперативные сроки поставки под заказ (от 5 рабочих дней);
- Экспресс доставка в любую точку России;
- Техническая поддержка проекта, помощь в подборе аналогов, поставка прототипов;
- Система менеджмента качества сертифицирована по Международному стандарту ISO 9001;
- Лицензия ФСБ на осуществление работ с использованием сведений, составляющих государственную тайну;
- Поставка специализированных компонентов (Xilinx, Altera, Analog Devices, Intersil, Interpoint, Microsemi, Aeroflex, Peregrine, Syfer, Eurofarad, Texas Instrument, Miteq, Cobham, E2V, MA-COM, Hittite, Mini-Circuits, General Dynamics и др.);

Помимо этого, одним из направлений компании «ЭлектроПласт» является направление «Источники питания». Мы предлагаем Вам помощь Конструкторского отдела:

- Подбор оптимального решения, техническое обоснование при выборе компонента;
- Подбор аналогов;
- Консультации по применению компонента;
- Поставка образцов и прототипов;
- Техническая поддержка проекта;
- Защита от снятия компонента с производства.



#### Как с нами связаться

**Телефон:** 8 (812) 309 58 32 (многоканальный)

**Факс:** 8 (812) 320-02-42

**Электронная почта:** [org@eplast1.ru](mailto:org@eplast1.ru)

**Адрес:** 198099, г. Санкт-Петербург, ул. Калинина, дом 2, корпус 4, литера А.