



Tsi384™ PCIe® to PCI/X Bridge Product Brief

Device Overview

The IDT Tsi384 is a high-performance bus bridge that connects the PCI Express (PCIe) protocol to the PCI and PCI-X bus standards.

The Tsi384's PCIe Interface has superior performance and supports 1, 2, or 4 lanes. This enables the bridge to offer exceptional throughput performance of up to 1 GBps.

The device's PCI/X Interface can operate up to 133 MHz in PCI-X mode, or up to 66 MHz in PCI mode. This interface offers designers extensive flexibility by supporting three types of addressing modes: transparent, opaque, and non-transparent.

Low Power Consumption

The Tsi384 has typical power consumption of 1.3W, and incorporates advanced power management to minimize power consumption during operation. In addition to supporting D0, D3 hot, and D3 cold power management modes, the device permits unused PCIe lanes to be powered off automatically or by configuration.

Transparent, Non-transparent, and Opaque Bridging

Transparent mode operation is available for efficient, flow-through configurations, while non-transparent bridging allows isolation between the Tsi384's PCIe and the PCI/X domains. Non-transparent bridging also enables multi-host systems and is used in applications such as storage adapters. Opaque mode provides semi-transparent operation for multi-processor configurations and enhanced private device support.

High Performance

The Tsi384 incorporates many advanced PCIe protocols that increase system performance, including: Lane Reversal and Polarity Inversion, end-to-end CRC, ASPM L0 link state power management, and Hot Plug. In addition to low-latency operation, the device supports a maximum payload size of up to 512 bytes to allow better throughput efficiency.

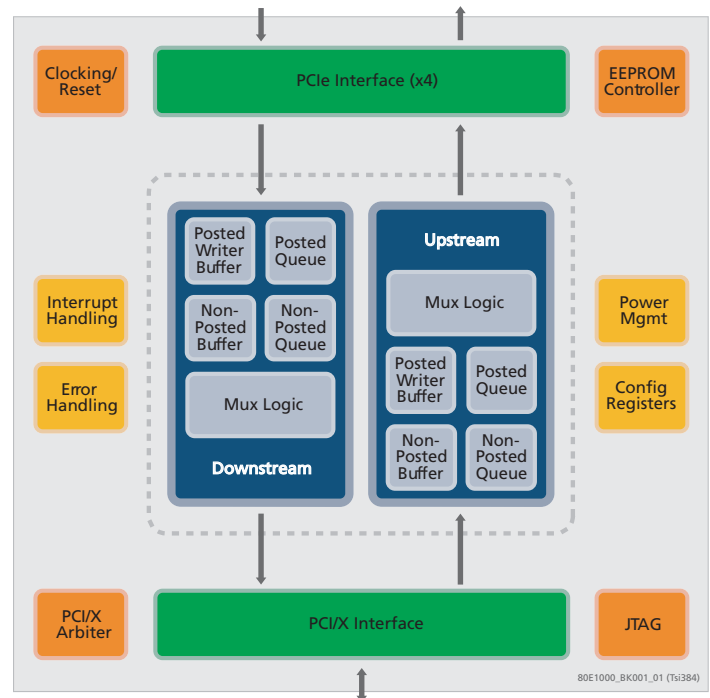


Figure 1 Tsi384 Block Diagram

Features

- General
 - PCI Express to PCI/PCI-X Forward bridge
 - Transparent, Non-transparent, and Opaque modes
 - Low latency – Superior queuing and buffering architecture maximize throughput and minimize latency
 - Compliant with the following specifications:
 - PCI Express Base 1.1
 - PCI Express PCI/PCI-X Bridge 1.0
 - PCI-to-PCI Bridge Architecture 1.2
 - PCI Local Bus 3.0
 - PCI-X 2.0 (mode 1 only)
 - PCI Bus Power Management Interface 1.2

- **PCI Express**
 - Configurable as 1, 2, or 4 lanes
 - 512-byte maximum payload
 - Advanced error reporting capability
 - Supports Lane Reversal and Lane Polarity Inversion
 - End-to-end CRC check and generation
 - Up to four outstanding memory reads
 - ASPM L0s link state power management
 - Legacy interrupt signaling and MSI interrupts
 - Hot Plug support
- **PCI/PCI-X**
 - 32/64-bit addressing
 - 32/64-bit data
 - PCI-X operation at 50, 66, 100, and 133 MHz
 - PCI operation at 25, 33, 50, and 66 MHz
 - Up to eight outstanding memory reads
 - 4K read completion buffer
 - Four external PCI/X masters supported through internal arbiter
 - Support for external arbiter
- **Other**
 - Support for Masquerade mode
 - JTAG IEEE 1149.1, 1149.6
 - Support for D0, D3 hot, D3 cold power management states
 - 1.2V core power supply
 - 1.3W typical power consumption (x4 PCIe to 133-MHz PCI-X)
 - Packaged in 17x17 mm, 256-pin PBGA
 - Package pinout and footprint compatible with PLX8114

Benefits

- Enhances system performance by delivering high throughput and low latency across bus interfaces
- Simplifies system design by offering numerous programmable features
- Minimizes system power consumption by providing comprehensive power management

Typical Applications

The Tsi384 is suited to applications that need to bridge from PCIe to downstream PCI-X and PCI devices. Its flexibility, high performance, small footprint, and low power consumption, make it ideal for a wide range of applications, including:

- Storage Area Network (SAN, RAID HBA cards)
- Network Attached Storage, Direct Attached Storage (NAS, DAS)
- Line cards and NICs

- Routers and switches
- Motherboards (server, SBC, industrial PC)
- PC adapter cards (communications, graphics, imaging, and multimedia)
- Multi-function printers
- Digital video recorders

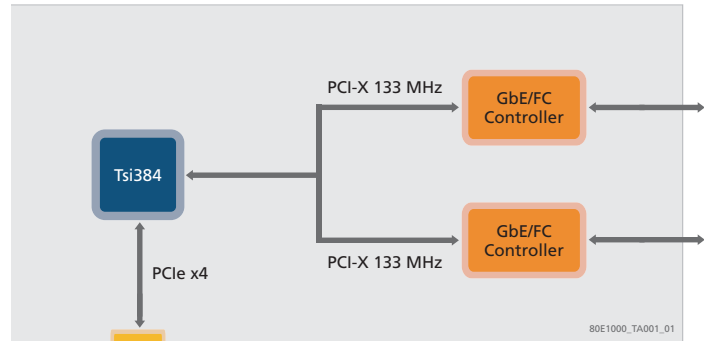


Figure 2 HBA Card Application

NOT AN OFFER FOR SALE

The information presented herein is subject to a Non-Disclosure Agreement and is for planning purposes only. Nothing contained in this presentation, whether verbal or written, is intended as, or shall have the effect of, a sale or an offer for sale that creates a contractual power of acceptance.



CORPORATE HEADQUARTERS
6024 Silver Creek Valley Road
San Jose, CA 95138

for SALES:
800-345-7015 or 408-284-8200
fax: 408-284-2775
www.idt.com

for Tech Support:
email: ssdhelp@idt.com
phone: 408-284-8208
document: 80E1000_FB001_07



Компания «ЭлектроПласт» предлагает заключение долгосрочных отношений при поставках импортных электронных компонентов на взаимовыгодных условиях!

Наши преимущества:

- Оперативные поставки широкого спектра электронных компонентов отечественного и импортного производства напрямую от производителей и с крупнейших мировых складов;
- Поставка более 17-ти миллионов наименований электронных компонентов;
- Поставка сложных, дефицитных, либо снятых с производства позиций;
- Оперативные сроки поставки под заказ (от 5 рабочих дней);
- Экспресс доставка в любую точку России;
- Техническая поддержка проекта, помощь в подборе аналогов, поставка прототипов;
- Система менеджмента качества сертифицирована по Международному стандарту ISO 9001;
- Лицензия ФСБ на осуществление работ с использованием сведений, составляющих государственную тайну;
- Поставка специализированных компонентов (Xilinx, Altera, Analog Devices, Intersil, Interpoint, Microsemi, Aeroflex, Peregrine, Syfer, Eurofarad, Texas Instrument, Miteq, Cobham, E2V, MA-COM, Hittite, Mini-Circuits, General Dynamics и др.);

Помимо этого, одним из направлений компании «ЭлектроПласт» является направление «Источники питания». Мы предлагаем Вам помощь Конструкторского отдела:

- Подбор оптимального решения, техническое обоснование при выборе компонента;
- Подбор аналогов;
- Консультации по применению компонента;
- Поставка образцов и прототипов;
- Техническая поддержка проекта;
- Защита от снятия компонента с производства.



Как с нами связаться

Телефон: 8 (812) 309 58 32 (многоканальный)

Факс: 8 (812) 320-02-42

Электронная почта: org@eplast1.ru

Адрес: 198099, г. Санкт-Петербург, ул. Калинина, дом 2, корпус 4, литера А.