



32Mx16, 64Mx8
512Mb SDRAM

JUNE 2015

FEATURES

- Clock frequency: 200, 166, 143 MHz
- Fully synchronous; all signals referenced to a positive clock edge
- Internal bank for hiding row access/precharge
- Power supply: $V_{DD}/V_{DDQ} = 2.3V-3.6V$
 IS42/45SxxxxxF - $V_{DD}/V_{DDQ} = 3.3V$
 IS42/45RxxxxxF - $V_{DD}/V_{DDQ} = 2.5$
- LVTTTL interface
- Programmable burst length
 – (1, 2, 4, 8, full page)
- Programmable burst sequence:
 Sequential/Interleave
- Auto Refresh (CBR)
- Self Refresh
- 8K refresh cycles every 64 ms
- Random column address every clock cycle
- Programmable \overline{CAS} latency (2, 3 clocks)
- Burst read/write and burst read/single write operations capability
- Burst termination by burst stop and precharge command
- Packages:
 x8/x16: 54-pin TSOP-II, 54-ball TF-BGA (x16 only)
- Temperature Range:
 Commercial (0°C to +70°C)
 Industrial (-40°C to +85°C)
 Automotive, A1 (-40°C to +85°C)
 Automotive, A2 (-40°C to +105°C)

DEVICE OVERVIEW

ISSI's 512Mb Synchronous DRAM achieves high-speed data transfer using pipeline architecture. All inputs and outputs signals refer to the rising edge of the clock input. The 512Mb SDRAM is organized as follows.

PACKAGE INFORMATION

| IS42/45S16320F | IS42/45S86400F |
|-------------------|-------------------|
| IS42/45R16320F | IS42/45R86400F |
| 8M x 16 x 4 banks | 16M x 8 x 4 banks |
| 54-pin TSOP-II | 54-pin TSOP-II |
| 54-ball TF-BGA | |

KEY TIMING PARAMETERS

| Parameter | -5 | -6 | -7 | Unit |
|------------------------------|-----|-----|-----|------|
| Clk Cycle Time | | | | |
| \overline{CAS} Latency = 3 | 5 | 6 | 7 | ns |
| \overline{CAS} Latency = 2 | 10 | 10 | 7.5 | ns |
| Clk Frequency | | | | |
| \overline{CAS} Latency = 3 | 200 | 167 | 143 | Mhz |
| \overline{CAS} Latency = 2 | 100 | 100 | 133 | Mhz |
| Access Time from Clock | | | | |
| \overline{CAS} Latency = 3 | 5 | 5.4 | 5.4 | ns |
| \overline{CAS} Latency = 2 | 6 | 6 | 5.4 | ns |

ADDRESS TABLE

| Parameter | 32M x 16 | 64M x 8 |
|----------------|-------------------|-------------------|
| Configuration | 8M x 16 x 4 banks | 16M x 8 x 4 banks |
| Bank Address | BA0, BA1 | BA0, BA1 |
| Pins/Balls | | |
| Autoprecharge | A10/AP | A10/AP |
| Pins/Ball | | |
| Row Address | 8K(A0 – A12) | 8K(A0 – A12) |
| Column Address | 1K(A0 – A9) | 2K(A0 – A9, A11) |
| Refresh Count | | |
| Com./Ind./A1 | 8K / 64ms | 8K / 64ms |
| A2 | 8K / 16ms | 8K / 16ms |

Copyright © 2015 Integrated Silicon Solution, Inc. All rights reserved. ISSI reserves the right to make changes to this specification and its products at any time without notice. ISSI assumes no liability arising out of the application or use of any information, products or services described herein. Customers are advised to obtain the latest version of this device specification before relying on any published information and before placing orders for products.

Integrated Silicon Solution, Inc. does not recommend the use of any of its products in life support applications where the failure or malfunction of the product can reasonably be expected to cause failure of the life support system or to significantly affect its safety or effectiveness. Products are not authorized for use in such applications unless Integrated Silicon Solution, Inc. receives written assurance to its satisfaction, that:

- a.) the risk of injury or damage has been minimized;
- b.) the user assume all such risks; and
- c.) potential liability of Integrated Silicon Solution, Inc is adequately protected under the circumstances

DEVICE OVERVIEW

The 512Mb SDRAM is a high speed CMOS, dynamic random-access memory designed to operate in either 3.3V V_{DD}/V_{DDQ} or 2.5V V_{DD}/V_{DDQ} memory systems, depending on the DRAM option. Internally configured as a quad-bank DRAM with a synchronous interface.

The 512Mb SDRAM (536,870,912 bits) includes an AUTO REFRESH MODE, and a power-saving, power-down mode. All signals are registered on the positive edge of the clock signal, CLK. All inputs and outputs are LVTTTL compatible.

The 512Mb SDRAM has the ability to synchronously burst data at a high data rate with automatic column-address generation, the ability to interleave between internal banks to hide precharge time and the capability to randomly change column addresses on each clock cycle during burst access.

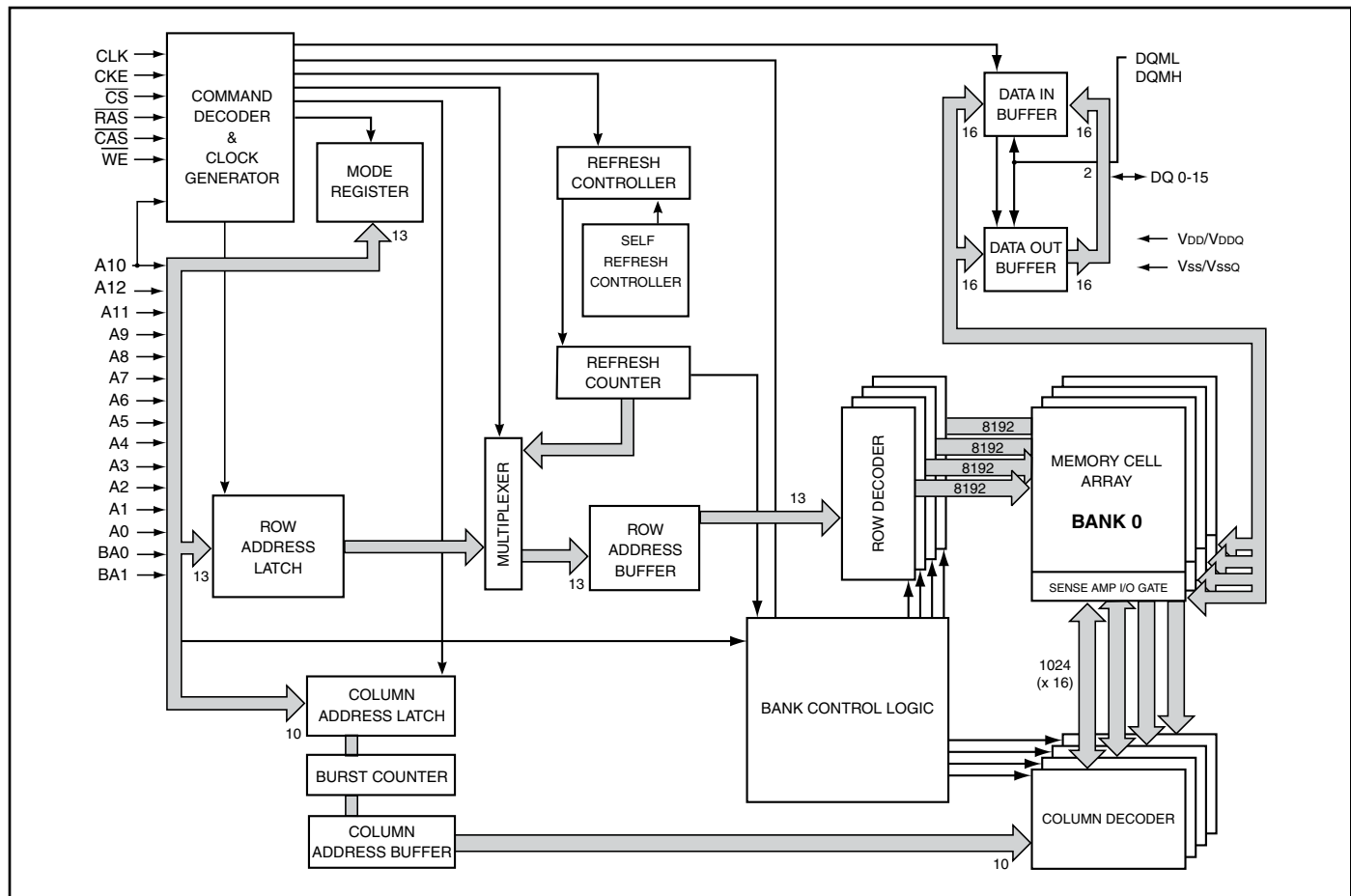
A self-timed row precharge initiated at the end of the burst

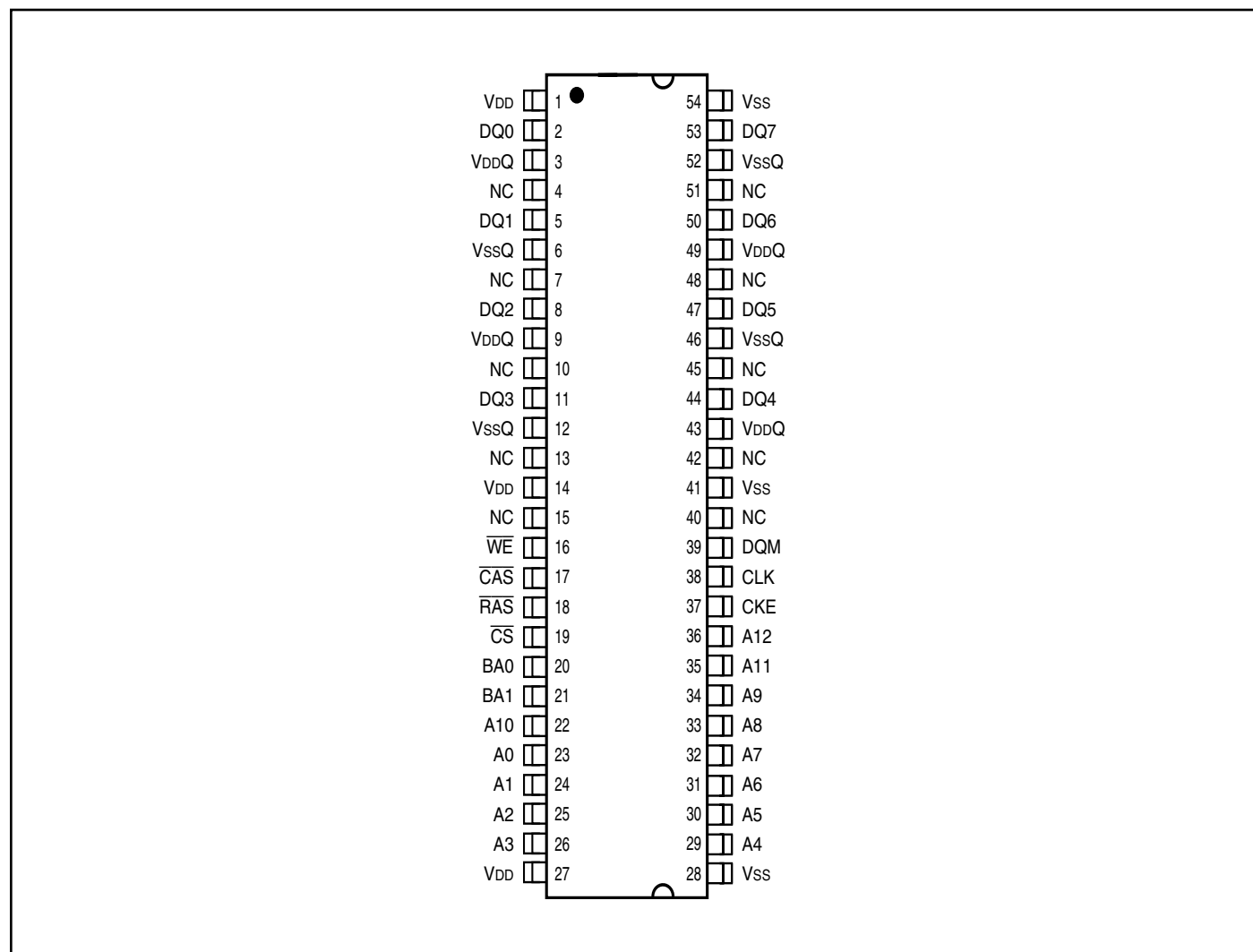
sequence is available with the AUTO PRECHARGE function enabled. Precharge one bank while accessing one of the other three banks will hide the precharge cycles and provide seamless, high-speed, random-access operation.

SDRAM read and write accesses are burst oriented starting at a selected location and continuing for a programmed number of locations in a programmed sequence. The registration of an ACTIVE command begins accesses, followed by a READ or WRITE command. The ACTIVE command in conjunction with address bits registered are used to select the bank and row to be accessed (BA0, BA1 select the bank; A0-A12 select the row). The READ or WRITE commands in conjunction with address bits registered are used to select the starting column location for the burst access.

Programmable READ or WRITE burst lengths consist of 1, 2, 4 and 8 locations or full page, with a burst terminate option.

FUNCTIONAL BLOCK DIAGRAM (FOR 8MX16X4 BANKS SHOWN)



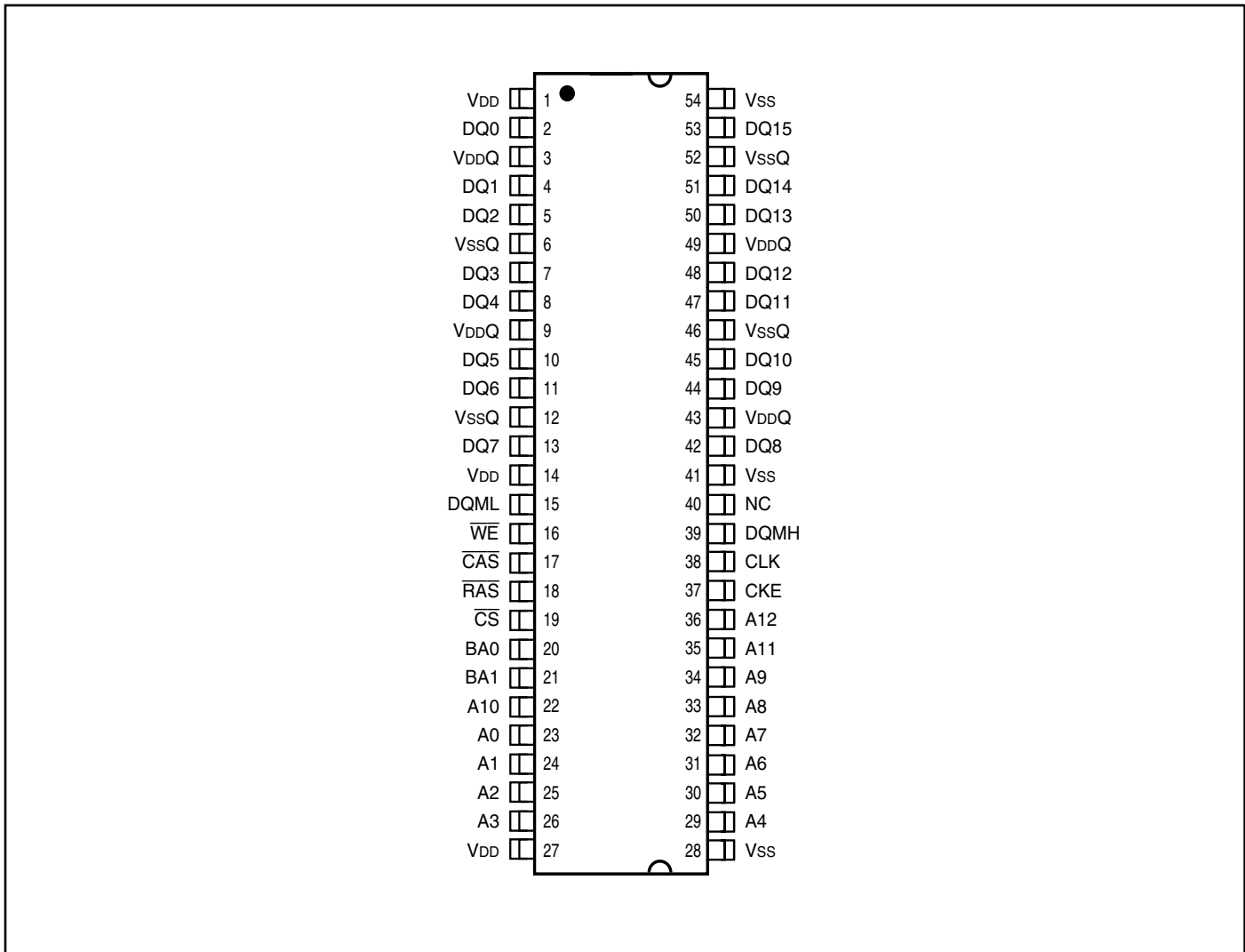
PIN CONFIGURATIONS
54 pin TSOP - Type II for x8

PIN DESCRIPTIONS

| | |
|------------------|-------------------------------|
| A0-A12 | Row Address Input |
| A0-A9, A11 | Column Address Input |
| BA0, BA1 | Bank Select Address |
| DQ0 to DQ7 | Data I/O |
| CLK | System Clock Input |
| CKE | Clock Enable |
| \overline{CS} | Chip Select |
| \overline{RAS} | Row Address Strobe Command |
| \overline{CAS} | Column Address Strobe Command |

| | |
|-----------------|--------------------------|
| \overline{WE} | Write Enable |
| DQM | Data Input/Output Mask |
| VDD | Power |
| Vss | Ground |
| VDDQ | Power Supply for I/O Pin |
| VssQ | Ground for I/O Pin |
| NC | No Connection |

PIN CONFIGURATIONS

54 pin TSOP - Type II for x16



PIN DESCRIPTIONS

| | |
|-------------|-------------------------------|
| A0-A12 | Row Address Input |
| A0-A9 | Column Address Input |
| BA0, BA1 | Bank Select Address |
| DQ0 to DQ15 | Data I/O |
| CLK | System Clock Input |
| CKE | Clock Enable |
| CS | Chip Select |
| RAS | Row Address Strobe Command |
| CAS | Column Address Strobe Command |

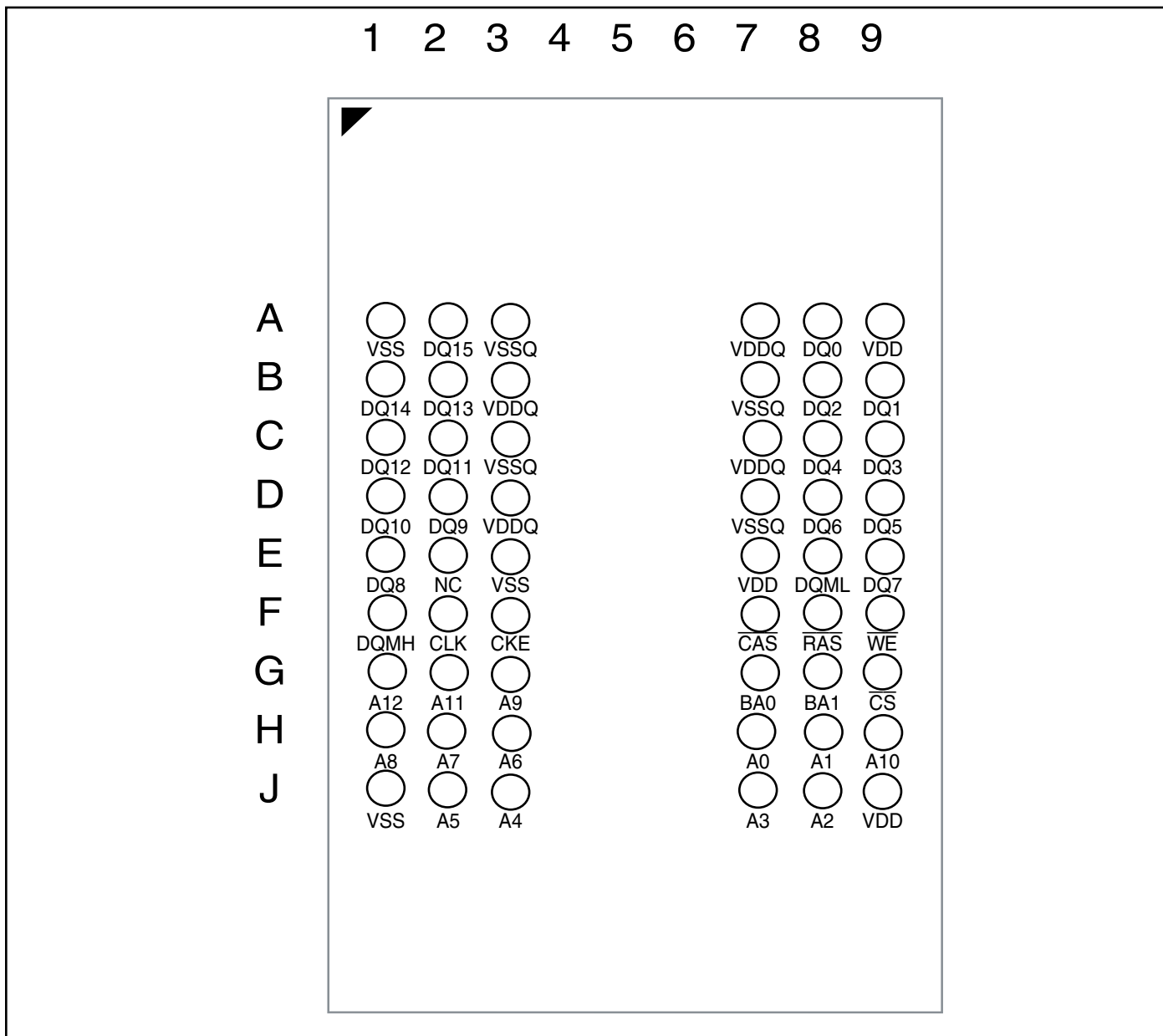
| | |
|------|-----------------------------------|
| WE | Write Enable |
| DQML | x16 Lower Byte, Input/Output Mask |
| DQMH | x16 Upper Byte, Input/Output Mask |
| VDD | Power |
| Vss | Ground |
| VDDQ | Power Supply for I/O Pin |
| VSSQ | Ground for I/O Pin |
| NC | No Connection |

IS42/45R86400F/16320F IS42/45S86400F/16320F

PIN CONFIGURATION

54-ball TF-BGA for x16 (Top View) (8.00 mm x 13.00 mm Body, 0.8 mm Ball Pitch)

package code: B



PIN DESCRIPTIONS

| | |
|------------------|-------------------------------|
| A0-A12 | Row Address Input |
| A0-A9 | Column Address Input |
| BA0, BA1 | Bank Select Address |
| DQ0 to DQ15 | Data I/O |
| CLK | System Clock Input |
| CKE | Clock Enable |
| \overline{CS} | Chip Select |
| \overline{RAS} | Row Address Strobe Command |
| \overline{CAS} | Column Address Strobe Command |

| | |
|------------------|----------------------------------|
| \overline{WE} | Write Enable |
| DQML | x16 Lower Byte Input/Output Mask |
| DQMH | x16 Upper Byte Input/Output Mask |
| V _{DD} | Power |
| V _{SS} | Ground |
| V _{DDQ} | Power Supply for I/O Pin |
| V _{SSQ} | Ground for I/O Pin |
| NC | No Connection |

PIN FUNCTIONS

| Symbol | Type | Function (In Detail) |
|------------------------------|-----------------------|---|
| A0-A12 | Input Pin/Ball | Address Inputs: A0-A12 are sampled during the ACTIVE command (row-address A0-A12) and READ/WRITE command (column address A0-A9, A11 (x8); A0-A9 (x16), with A10 defining auto precharge) to select one location out of the memory array in the respective bank. A10 is sampled during a PRECHARGE command to determine if all banks are to be precharged (A10 HIGH) or bank selected by BA0, BA1 (LOW). The address inputs also provide the op-code during a LOAD MODE REGISTER command. |
| BA0, BA1 | Input Pin/Ball | Bank Select Address: BA0 and BA1 defines which bank the ACTIVE, READ, WRITE or PRECHARGE command is being applied. |
| $\overline{\text{CAS}}$ | Input Pin/Ball | $\overline{\text{CAS}}$, in conjunction with the $\overline{\text{RAS}}$ and $\overline{\text{WE}}$, forms the device command. See the "Command Truth Table" for details on device commands. |
| CKE | Input Pin/Ball | The CKE input determines whether the CLK input is enabled. The next rising edge of the CLK signal will be valid when is CKE HIGH and invalid when LOW. When CKE is LOW, the device will be in either power-down mode, clock suspend mode, or self refresh mode. CKE is an asynchronous input. |
| CLK | Input Pin/Ball | CLK is the master clock input for this device. Except for CKE, all inputs to this device are acquired in synchronization with the rising edge of this pin. |
| $\overline{\text{CS}}$ | Input Pin/Ball | The $\overline{\text{CS}}$ input determines whether command input is enabled within the device. Command input is enabled when $\overline{\text{CS}}$ is LOW, and disabled with $\overline{\text{CS}}$ is HIGH. The device remains in the previous state when $\overline{\text{CS}}$ is HIGH. |
| DQM: x8 DQML, DQMH: x16 | Input Pin/Ball | DQx pins control the bytes of the I/O buffers. For example with x16, in read mode, DQML and DQMH control the output buffer. When DQML or DQMH is LOW, the corresponding buffer byte is enabled, and when HIGH, disabled. The outputs go to the HIGH impedance state when DQML/DQMH is HIGH. This function corresponds to $\overline{\text{OE}}$ in conventional DRAMs. In write mode, DQML and DQMH control the input buffer. When DQML or DQMH is LOW, the corresponding buffer byte is enabled, and data can be written to the device. When DQML or DQMH is HIGH, input data is masked and cannot be written to the device. |
| DQ0-DQ7: x8 DQ0-DQ15: x16 | Input/Output Pin/Ball | Data on the Data Bus is latched on DQ pins during Write commands, and buffered for output after Read commands. |
| $\overline{\text{RAS}}$ | Input Pin/Ball | $\overline{\text{RAS}}$, in conjunction with $\overline{\text{CAS}}$ and $\overline{\text{WE}}$, forms the device command. See the "Command Truth Table" item for details on device commands. |
| $\overline{\text{WE}}$ | Input Pin/Ball | $\overline{\text{WE}}$, in conjunction with $\overline{\text{RAS}}$ and $\overline{\text{CAS}}$, forms the device command. See the "Command Truth Table" item for details on device commands. |
| V _{DDQ} | Power Supply Pin/Ball | V _{DDQ} is the output buffer power supply. |
| V _{DD} | Power Supply Pin/Ball | V _{DD} is the device internal power supply. |
| V _{SSQ} | Power Supply Pin/Ball | V _{SSQ} is the output buffer ground. |
| V _{SS} | Power Supply Pin/Ball | V _{SS} is the device internal ground. |

GENERAL DESCRIPTION

READ

The READ command selects the bank from BA0, BA1 inputs and starts a burst read access to an active row. Inputs A0-An (For column addresses, n=A9 for x16, n=A11 for x8), provides the starting column location. When A10 is HIGH, this command functions as an AUTO PRECHARGE command. When the auto precharge is selected, the row being accessed will be precharged at the end of the READ burst. The row will remain open for subsequent accesses when AUTO PRECHARGE is not selected. DQ's read data is subject to the logic level on the DQM inputs two clocks earlier. When a given DQM signal was registered HIGH, the corresponding DQ's will be High-Z two clocks later. DQ's will provide valid data when the DQM signal was registered LOW.

WRITE

A burst write access to an active row is initiated with the WRITE command. BA0, BA1 inputs selects the bank, and the starting column location is provided by inputs A0-An (For column addresses, n=A9 for x16, n=A11 for x8). AUTO-PRECHARGE is determined by A10.

The row being accessed will be precharged at the end of the WRITE burst, if AUTO PRECHARGE is selected. If AUTO PRECHARGE is not selected, the row will remain open for subsequent accesses.

A memory array is written with corresponding input data on DQ's and DQM input logic level appearing at the same time. Data will be written to memory when DQM signal is LOW. When DQM is HIGH, the corresponding data inputs will be ignored, and a WRITE will not be executed to that byte/column location.

PRECHARGE

The PRECHARGE command is used to deactivate the open row in a particular bank or the open row in all banks. BA0, BA1 can be used to select which bank is precharged or they are treated as "Don't Care". A10 determined whether one or all banks are precharged. After executing this command, the next command for the selected bank(s) is executed after passage of the period t_{RP} which is the period required for bank precharging. Once a bank has been precharged, it is in the idle state and must be activated prior to any READ or WRITE commands being issued to that bank.

AUTO PRECHARGE

The AUTO PRECHARGE function ensures that the precharge is initiated at the earliest valid stage within a burst. This function allows for individual-bank precharge without

requiring an explicit command. A10 to enable the AUTO PRECHARGE function in conjunction with a specific READ or WRITE command. For each individual READ or WRITE command, auto precharge is either enabled or disabled. AUTO PRECHARGE does not apply except in full-page burst mode. Upon completion of the READ or WRITE burst, a precharge of the bank/row that is addressed is automatically performed.

AUTO REFRESH COMMAND

This command executes the AUTO REFRESH operation. The row address and bank to be refreshed are automatically generated during this operation. The stipulated period (t_{RC}) is required for a single refresh operation, and no other commands can be executed during this period. This command is executed at least 8192 times for every T_{REF} period. During an AUTO REFRESH command, address bits are "Don't Care". This command corresponds to CBR Auto-refresh.

BURST TERMINATE

The BURST TERMINATE command forcibly terminates the burst read and write operations by truncating either fixed-length or full-page bursts and the most recently registered READ or WRITE command prior to the BURST TERMINATE.

COMMAND INHIBIT

COMMAND INHIBIT prevents new commands from being executed. Operations in progress are not affected, apart from whether the CLK signal is enabled

NO OPERATION

When \overline{CS} is low, the NOP command prevents unwanted commands from being registered during idle or wait states.

LOAD MODE REGISTER

During the LOAD MODE REGISTER command the mode register is loaded from A0-A12. This command can only be issued when all banks are idle.

ACTIVE COMMAND

When the ACTIVE COMMAND is activated, BA0, BA1 inputs selects a bank to be accessed, and the address inputs on A0-A12 selects the row. Until a PRECHARGE command is issued to the bank, the row remains open for accesses.

COMMAND TRUTH TABLE

| Function | CKE | | \overline{CS} | \overline{RAS} | \overline{CAS} | \overline{WE} | BA1 | BA0 | A12, A11 | |
|-----------------------------|-------|---|-----------------|------------------|------------------|-----------------|-----|-----|----------|---------|
| | n - 1 | n | | | | | | | A10 | A9 - A0 |
| Device deselect (DESL) | H | x | H | x | x | x | x | x | x | x |
| No operation (NOP) | H | x | L | H | H | H | x | x | x | x |
| Burst stop (BST) | H | x | L | H | H | L | x | x | x | x |
| Read | H | x | L | H | L | H | V | V | L | V |
| Read with auto precharge | H | x | L | H | L | H | V | V | H | V |
| Write | H | x | L | H | L | L | V | V | L | V |
| Write with auto precharge | H | x | L | H | L | L | V | V | H | V |
| Bank activate (ACT) | H | x | L | L | H | H | V | V | V | V |
| Precharge select bank (PRE) | H | x | L | L | H | L | V | V | L | x |
| Precharge all banks (PALL) | H | x | L | L | H | L | x | x | H | x |
| CBR Auto-Refresh (REF) | H | H | L | L | L | H | x | x | x | x |
| Self-Refresh (SELF) | H | L | L | L | L | H | x | x | x | x |
| Mode register set (MRS) | H | x | L | L | L | L | L | L | L | V |

Note: H=V_{IH}, L=V_{IL} x= V_{IH} or V_{IL}, V = Valid Data.

DQM TRUTH TABLE

| Function | CKE | | DQMH | DQML |
|---|-----|---|------|------|
| | n-1 | n | | |
| Data write / output enable | H | x | L | L |
| Data mask / output disable | H | x | H | H |
| Upper byte write enable / output enable | H | x | L | x |
| Lower byte write enable / output enable | H | x | x | L |
| Upper byte write inhibit / output disable | H | x | H | x |
| Lower byte write inhibit / output disable | H | x | x | H |

Note:

1. H=V_{IH}, L=V_{IL} x= V_{IH} or V_{IL}, V = Valid Data.
2. x16 options shown.

CKE TRUTH TABLE

| Current State /Function | CKE | | \overline{CS} | \overline{RAS} | \overline{CAS} | \overline{WE} | Address |
|-------------------------------------|-------|---|-----------------|------------------|------------------|-----------------|---------|
| | n - 1 | n | | | | | |
| Activating Clock suspend mode entry | H | L | x | x | x | x | x |
| Any Clock suspend mode | L | L | x | x | x | x | x |
| Clock suspend mode exit | L | H | x | x | x | x | x |
| Auto refresh command Idle (REF) | H | H | L | L | L | H | x |
| Self refresh entry Idle (SELF) | H | L | L | L | L | H | x |
| Power down entry Idle | H | L | x | x | x | x | x |
| Self refresh exit | L | H | L | H | H | H | x |
| | L | H | H | x | x | x | x |
| Power down exit | L | H | x | x | x | x | x |

Note: H=V_{IH}, L=V_{IL} x= V_{IH} or V_{IL}, V = Valid Data.

FUNCTIONAL TRUTH TABLE

| Current State | \overline{CS} | \overline{RAS} | \overline{CAS} | \overline{WE} | Address | Command | Action |
|---------------|-----------------|------------------|------------------|-----------------|-------------|------------|--|
| Idle | H | X | X | X | X | DESL | Nop or Power Down ⁽²⁾ |
| | L | H | H | H | X | NOP | Nop or Power Down ⁽²⁾ |
| | L | H | H | L | X | BST | Nop or Power Down |
| | L | H | L | H | BA, CA, A10 | READ/READA | ILLEGAL ⁽³⁾ |
| | L | H | L | L | A, CA, A10 | WRIT/WRITA | ILLEGAL ⁽³⁾ |
| | L | L | H | H | BA, RA | ACT | Row activating |
| | L | L | H | L | BA, A10 | PRE/PALL | Nop |
| | L | L | L | H | X | REF/SELF | Auto refresh or Self-refresh ⁽⁴⁾ |
| | L | L | L | L | OC, BA1=L | MRS | Mode register set |
| Row Active | H | X | X | X | X | DESL | Nop |
| | L | H | H | H | X | NOP | Nop |
| | L | H | H | L | X | BST | Nop |
| | L | H | L | H | BA, CA, A10 | READ/READA | Begin read ⁽⁵⁾ |
| | L | H | L | L | BA, CA, A10 | WRIT/WRITA | Begin write ⁽⁵⁾ |
| | L | L | H | H | BA, RA | ACT | ILLEGAL ⁽³⁾ |
| | L | L | H | L | BA, A10 | PRE/PALL | Precharge Precharge all banks ⁽⁶⁾ |
| | L | L | L | H | X | REF/SELF | ILLEGAL |
| | L | L | L | L | OC, BA | MRS | ILLEGAL |
| Read | H | X | X | X | X | DESL | Continue burst to end to Row active |
| | L | H | H | H | X | NOP | Continue burst to end Row Row active |
| | L | H | H | L | X | BST | Burst stop, Row active |
| | L | H | L | H | BA, CA, A10 | READ/READA | Terminate burst, begin new read ⁽⁷⁾ |
| | L | H | L | L | BA, CA, A10 | WRIT/WRITA | Terminate burst, begin write ^(7,8) |
| | L | L | H | H | BA, RA | ACT | ILLEGAL ⁽³⁾ |
| | L | L | H | L | BA, A10 | PRE/PALL | Terminate burst Precharging |
| | L | L | L | H | X | REF/SELF | ILLEGAL |
| | L | L | L | L | OC, BA | MRS | ILLEGAL |
| Write | H | X | X | X | X | DESL | Continue burst to end Write recovering |
| | L | H | H | H | X | NOP | Continue burst to end Write recovering |
| | L | H | H | L | X | BST | Burst stop, Row active |
| | L | H | L | H | BA, CA, A10 | READ/READA | Terminate burst, start read : Determine AP ^(7,8) |
| | L | H | L | L | BA, CA, A10 | WRIT/WRITA | Terminate burst, new write : Determine AP ⁽⁷⁾ |
| | L | L | H | H | BA, RA | RA ACT | ILLEGAL ⁽³⁾ |
| | L | L | H | L | BA, A10 | PRE/PALL | Terminate burst Precharging ⁽⁹⁾ |
| | L | L | L | H | X | REF/SELF | ILLEGAL |
| | L | L | L | L | OC, BA | MRS | ILLEGAL |

Note: H=V_{IH}, L=V_{IL} X= V_{IH} or V_{IL}, V = Valid Data, BA= Bank Address, CA+Column Address, RA=Row Address, OC= Op-Code

FUNCTIONAL TRUTH TABLE Continued:

| Current State | \overline{CS} | \overline{RAS} | \overline{CAS} | \overline{WE} | Address | Command | Action |
|----------------------------|-----------------|------------------|------------------|-----------------|-------------|------------|---|
| Read with auto Precharging | H | x | x | x | x | DESL | Continue burst to end, Precharge |
| | L | H | H | H | x | NOP | Continue burst to end, Precharge |
| | L | H | H | L | x | BST | ILLEGAL |
| | L | H | L | H | BA, CA, A10 | READ/READA | ILLEGAL ⁽¹¹⁾ |
| | L | H | L | L | BA, CA, A10 | WRIT/WRITA | ILLEGAL ⁽¹¹⁾ |
| | L | L | H | H | BA, RA | ACT | ILLEGAL ⁽³⁾ |
| | L | L | H | L | BA, A10 | PRE/PALL | ILLEGAL ⁽¹¹⁾ |
| | L | L | L | H | x | REF/SELF | ILLEGAL |
| Write with Auto Precharge | L | L | L | L | OC, BA | MRS | ILLEGAL |
| | H | x | x | x | x | DESL | Continue burst to end, Write recovering with auto precharge |
| | L | H | H | H | x | NOP | Continue burst to end, Write recovering with auto precharge |
| | L | H | H | L | x | BST | ILLEGAL |
| | L | H | L | H | BA, CA, A10 | READ/READA | ILLEGAL ⁽¹¹⁾ |
| | L | H | L | L | BA, CA, A10 | WRIT/WRITA | ILLEGAL ⁽¹¹⁾ |
| | L | L | H | H | BA, RA | ACT | ILLEGAL ^(3,11) |
| | L | L | H | L | BA, A10 | PRE/PALL | ILLEGAL ^(3,11) |
| Precharging | L | L | L | H | x | REF/SELF | ILLEGAL |
| | L | L | L | L | OC, BA | MRS | ILLEGAL |
| | H | x | x | x | x | DESL | Nop, Enter idle after tRP |
| | L | H | H | H | x | NOP | Nop, Enter idle after tRP |
| | L | H | H | L | x | BST | Nop, Enter idle after tRP |
| | L | H | L | H | BA, CA, A10 | READ/READA | ILLEGAL ⁽³⁾ |
| | L | H | L | L | BA, CA, A10 | WRIT/WRITA | ILLEGAL ⁽³⁾ |
| | L | L | H | H | BA, RA | ACT | ILLEGAL ⁽³⁾ |
| Row Activating | L | L | H | L | BA, A10 | PRE/PALL | Nop Enter idle after tRP |
| | L | L | L | H | x | REF/SELF | ILLEGAL |
| | L | L | L | L | OC, BA | MRS | ILLEGAL |
| | H | x | x | x | x | DESL | Nop, Enter bank active after tRCD |
| | L | H | H | H | x | NOP | Nop, Enter bank active after tRCD |
| | L | H | H | L | x | BST | Nop, Enter bank active after tRCD |
| | L | H | L | H | BA, CA, A10 | READ/READA | ILLEGAL ⁽³⁾ |
| | L | H | L | L | BA, CA, A10 | WRIT/WRITA | ILLEGAL ⁽³⁾ |
| Row Activating | L | L | H | H | BA, RA | ACT | ILLEGAL ^(3,9) |
| | L | L | H | L | BA, A10 | PRE/PALL | ILLEGAL ⁽³⁾ |
| | L | L | L | H | x | REF/SELF | ILLEGAL |
| | L | L | L | L | OC, BA | MRS | ILLEGAL |

Note: H=V_{IH}, L=V_{IL} x= V_{IH} or V_{IL}, V = Valid Data, BA= Bank Address, CA+Column Address, RA=Row Address, OC= Op-Code



IS42/45R86400F/16320F IS42/45S86400F/16320F

FUNCTIONAL TRUTH TABLE Continued:

| Current State | CS | RAS | CAS | WE | Address | Command | Action |
|--------------------------------------|----|-----|-----|----|-------------|-------------------------|----------------------------------|
| Write Recovering | H | x | x | x | x | DESL | Nop, Enter row active after tDPL |
| | L | H | H | H | x | NOP | Nop, Enter row active after tDPL |
| | L | H | H | L | x | BST | Nop, Enter row active after tDPL |
| | L | H | L | H | BA, CA, A10 | READ/READA | Begin read ⁽⁸⁾ |
| | L | H | L | L | BA, CA, A10 | WRIT/WRITA | Begin new write |
| | L | L | H | H | BA, RA | ACT | ILLEGAL ⁽³⁾ |
| | L | L | H | L | BA, A10 | PRE/PALL | ILLEGAL ⁽³⁾ |
| | L | L | L | H | x | REF/SELF | ILLEGAL |
| Write Recovering with Auto Precharge | L | L | L | L | OC, BA | MRS | ILLEGAL |
| | H | x | x | x | x | DESL | Nop, Enter precharge after tDPL |
| | L | H | H | H | x | NOP | Nop, Enter precharge after tDPL |
| | L | H | H | L | x | BST | Nop, Enter row active after tDPL |
| | L | H | L | H | BA, CA, A10 | READ/READA | ILLEGAL ^(3,8,11) |
| | L | H | L | L | BA, CA, A10 | WRIT/WRITA | ILLEGAL ^(3,11) |
| | L | L | H | H | BA, RA | ACT | ILLEGAL ^(3,11) |
| | L | L | H | L | BA, A10 | PRE/PALL | ILLEGAL ^(3,11) |
| Refresh | L | L | L | H | x | REF/SELF | ILLEGAL |
| | L | L | L | L | OC, BA | MRS | ILLEGAL |
| | H | x | x | x | x | DESL | Nop, Enter idle after tRC |
| | L | H | H | x | x | NOP/BST | Nop, Enter idle after tRC |
| | L | H | L | H | BA, CA, A10 | READ/READA | ILLEGAL |
| | L | H | L | L | BA, CA, A10 | WRIT/WRITA | ILLEGAL |
| | L | L | H | H | BA, RA | ACT | ILLEGAL |
| | L | L | H | L | BA, A10 | PRE/PALL | ILLEGAL |
| Mode Register Accessing | L | L | L | H | x | REF/SELF | ILLEGAL |
| | L | L | L | L | OC, BA | MRS | ILLEGAL |
| | H | x | x | x | x | DESL | Nop, Enter idle after 2 clocks |
| | L | H | H | H | x | NOP | Nop, Enter idle after 2 clocks |
| | L | H | H | L | x | BST | ILLEGAL |
| | L | H | L | x | BA, CA, A10 | READ/WRITE | ILLEGAL |
| | L | L | x | x | BA, RA | ACT/PRE/PALL REF/MRS | ILLEGAL |

Note: H=V_{IH}, L=V_{IL} x= V_{IH} or V_{IL}, V = Valid Data, BA= Bank Address, CA+Column Address, RA=Row Address, OC= Op-Code

Notes:

- All entries assume that CKE is active (CKEn-1=CKEn=H).
- If both banks are idle, and CKE is inactive (Low), the device will enter Power Down mode. All input buffers except CKE will be disabled.
- Illegal to bank in specified states; Function may be legal in the bank indicated by Bank Address (BA), depending on the state of that bank.
- If both banks are idle, and CKE is inactive (Low), the device will enter Self-Refresh mode. All input buffers except CKE will be disabled.
- Illegal if tRCD is not satisfied.
- Illegal if tRAS is not satisfied.
- Must satisfy burst interrupt condition.
- Must satisfy bus contention, bus turn around, and/or write recovery requirements.
- Must mask preceding data which don't satisfy tDPL.
- Illegal if tRRD is not satisfied.
- Illegal for single bank, but legal for other banks.

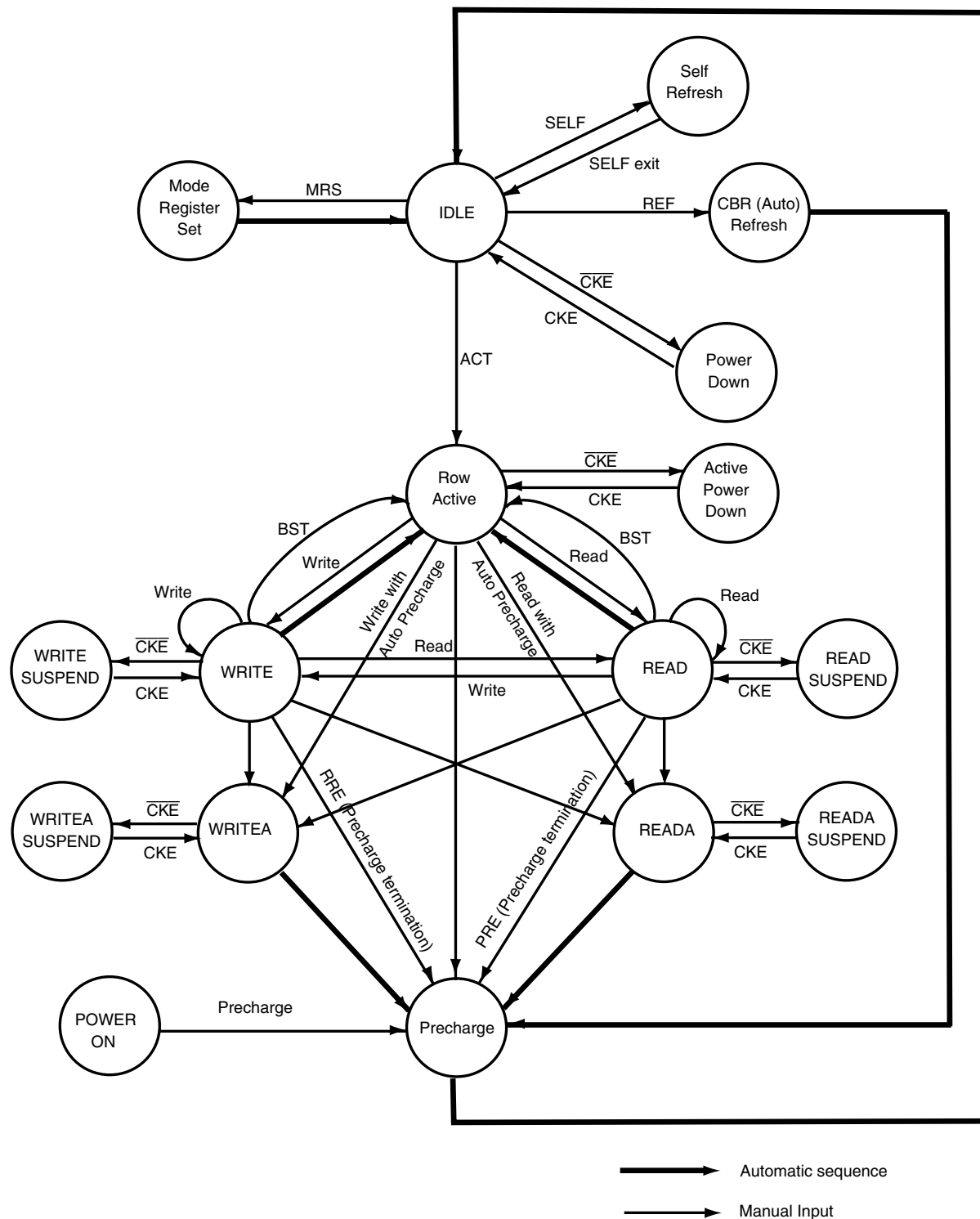
CKE RELATED COMMAND TRUTH TABLE⁽¹⁾

| Current State | Operation | CKE | | \overline{CS} | \overline{RAS} | \overline{CAS} | \overline{WE} | Address |
|---------------------------|--|-----|---|-----------------|------------------|------------------|-----------------|-----------|
| | | n-1 | n | | | | | |
| Self-Refresh (S.R.) | INVALID, CLK (n - 1) would exit S.R. | H | X | X | X | X | X | X |
| | Self-Refresh Recovery ⁽²⁾ | L | H | H | X | X | X | X |
| | Self-Refresh Recovery ⁽²⁾ | L | H | L | H | H | X | X |
| | Illegal | L | H | L | H | L | X | X |
| | Illegal | L | H | L | L | X | X | X |
| | Maintain S.R. | L | L | X | X | X | X | X |
| Self-Refresh Recovery | Idle After t_{RC} | H | H | H | X | X | X | X |
| | Idle After t_{RC} | H | H | L | H | H | X | X |
| | Illegal | H | H | L | H | L | X | X |
| | Illegal | H | H | L | L | X | X | X |
| | Begin clock suspend next cycle ⁽⁵⁾ | H | L | H | X | X | X | X |
| | Begin clock suspend next cycle ⁽⁵⁾ | H | L | L | H | H | X | X |
| | Illegal | H | L | L | H | L | X | X |
| | Illegal | H | L | L | L | X | X | X |
| | Exit clock suspend next cycle ⁽²⁾ | L | H | X | X | X | X | X |
| | Maintain clock suspend | L | L | X | X | X | X | X |
| Power-Down (P.D.) | INVALID, CLK (n - 1) would exit P.D. | H | X | X | X | X | X | — |
| | EXIT P.D. --> Idle ⁽²⁾ | L | H | X | X | X | X | X |
| | Maintain power down mode | L | L | X | X | X | X | X |
| All Banks Idle | Refer to operations in Operative Command Table | H | H | H | X | X | X | — |
| | Refer to operations in Operative Command Table | H | H | L | H | X | X | — |
| | Refer to operations in Operative Command Table | H | H | L | L | H | X | — |
| | Auto-Refresh | H | H | L | L | L | H | X |
| | Refer to operations in Operative Command Table | H | H | L | L | L | L | Op - Code |
| | Refer to operations in Operative Command Table | H | L | H | X | X | X | — |
| | Refer to operations in Operative Command Table | H | L | L | H | X | X | — |
| | Refer to operations in Operative Command Table | H | L | L | L | H | X | — |
| | Self-Refresh ⁽³⁾ | H | L | L | L | L | H | X |
| | Refer to operations in Operative Command Table | H | L | L | L | L | L | Op - Code |
| Power-Down ⁽³⁾ | L | X | X | X | X | X | X | |
| Any state | Refer to operations in Operative Command Table | H | H | X | X | X | X | X |
| other than | Begin clock suspend next cycle ⁽⁴⁾ | H | L | X | X | X | X | X |
| listed above | Exit clock suspend next cycle | L | H | X | X | X | X | X |
| | Maintain clock suspend | L | L | X | X | X | X | X |

Notes:

1. H : High level, L : low level, X : High or low level (Don't care).
2. CKE Low to High transition will re-enable CLK and other inputs asynchronously. A minimum setup time must be satisfied before any command other than EXIT.
3. Power down and Self refresh can be entered only from the both banks idle state.
4. Must be legal command as defined in Operative Command Table.
5. Illegal if txsr is not satisfied.

STATE DIAGRAM



ABSOLUTE MAXIMUM RATINGS⁽¹⁾

| Symbol | Parameters | | Rating | Unit |
|----------------------|--|------|--------------------------------|------|
| V _{DD} MAX | Maximum Supply Voltage | | -0.5 to +4.6 | V |
| V _{DDQ} MAX | Maximum Supply Voltage for Output Buffer | | -0.5 to +4.6 | V |
| V _{IN} | Input Voltage | | -0.5 to V _{DD} + 0.5 | V |
| V _{OUT} | Output Voltage | | -1.0 to V _{DDQ} + 0.5 | V |
| P _D MAX | Allowable Power Dissipation | | 1 | W |
| I _{CS} | Output Shorted Current | | 50 | mA |
| T _{OPR} | Operating Temperature | Com. | 0 to +70 | °C |
| | | Ind. | -40 to +85 | |
| | | A1 | -40 to +85 | |
| | | A2 | -40 to +105 | |
| T _{STG} | Storage Temperature | | -65 to +150 | °C |

Notes:

1. Stress greater than those listed under ABSOLUTE MAXIMUM RATINGS may cause permanent damage to the device. This is a stress rating only and functional operation of the device at these or any other conditions above those indicated in the operational sections of this specification is not implied. Exposure to absolute maximum rating conditions for extended periods may affect reliability.
2. All voltages are referenced to V_{SS}.

DC RECOMMENDED OPERATING CONDITIONS
IS42/45S86400F, IS42/45S16320F - 3.3V Operation

| Symbol | Parameters | Min. | Typ. | Max. | Unit |
|--------------------------------|--|------|------|-----------------------|------|
| V _{DD} | Supply Voltage | 3.0 | 3.3 | 3.6 | V |
| V _{DDQ} | I/O Supply Voltage | 3.0 | 3.3 | 3.6 | V |
| V _{IH} ⁽¹⁾ | Input High Voltage | 2.0 | - | V _{DDQ} +0.3 | V |
| V _{IL} ⁽²⁾ | Input Low Voltage | -0.3 | - | 0.8 | V |
| I _{IL} | Input Leakage Current (0V ≤ V _{IN} ≤ V _{DD}) | -5 | - | +5 | μA |
| I _{OL} | Output Leakage Current (Output disabled, 0V ≤ V _{OUT} ≤ V _{DD}) | -5 | - | +5 | μA |
| V _{OH} | Output High Voltage Current (I _{OH} = -2mA) | 2.4 | - | - | V |
| V _{OL} | Output Low Voltage Current (I _{OL} = 2mA) | - | - | 0.4 | V |

IS42/45R86400F, IS42/45S16320F - 2.5V Operation

| Symbol | Parameters | Min. | Typ. | Max. | Unit |
|--------------------------------|--|-----------------------|------|-----------------------|------|
| V _{DD} | Supply Voltage | 2.3 | 2.5 | 2.7 | V |
| V _{DDQ} | I/O Supply Voltage | 2.3 | 2.5 | 2.7 | V |
| V _{IH} ⁽¹⁾ | Input High Voltage | 2.0 | - | V _{DDQ} +0.3 | V |
| V _{IL} ⁽²⁾ | Input Low Voltage | -0.3 | - | 0.55 | V |
| I _{IL} | Input Leakage Current (0V ≤ V _{IN} ≤ V _{DD}) | -5 | - | +5 | μA |
| I _{OL} | Output Leakage Current (Output disabled, 0V ≤ V _{OUT} ≤ V _{DD}) | -5 | - | +5 | μA |
| V _{OH} | Output High Voltage Current (I _{OH} = -2mA) | V _{DDQ} -0.2 | - | - | V |
| V _{OL} | Output Low Voltage Current (I _{OL} = 2mA) | - | - | 0.2 | V |

Notes:

1. V_{IH} (overshoot): V_{IH} (max) = V_{DDQ} + 1.2V (pulse width < 3ns).
2. V_{IL} (undershoot): V_{IL} (min) = -1.2V (pulse width < 3ns).
3. All voltages are referenced to V_{SS}.

IS42/45R86400F/16320F IS42/45S86400F/16320F

CAPACITANCE CHARACTERISTICS⁽¹⁾ (At $T_A = 0$ to $+25^\circ\text{C}$, $V_{DD} = V_{DDQ} = 3.3 \pm 0.3\text{V}$, $f = 1\text{MHz}$)

| Symbol | Parameter | Min. | Max. | Unit |
|------------------|---|------|------|------|
| C _{IN1} | Input Capacitance: CLK | 2.5 | 3.5 | pF |
| C _{IN2} | Input Capacitance: All other input pins | 2.5 | 3.8 | pF |
| C _{I/O} | Data Input/Output Capacitance: DQS | 4.0 | 6.0 | pF |

Note: 1. The parameter is characterized.

THERMAL RESISTANCE

| Package | Substrate | Theta-ja (Airflow = 0m/s) | Theta-ja (Airflow = 1m/s) | Theta-ja (Airflow = 2m/s) | Theta-jc | Units |
|-------------------|-----------|------------------------------|------------------------------|------------------------------|----------|-------|
| Alloy42 TSOP2(54) | 4-layer | 56.1 | 49.6 | 46.2 | 8.1 | C/W |
| Copper TSOP2(54) | 4-layer | 37.1 | 32.1 | 29.9 | 7.1 | C/W |
| BGA(54) | 4-layer | 38.5 | 32.8 | 31.2 | 4.9 | C/W |

DC ELECTRICAL CHARACTERISTICS

(Recommended Operation Conditions unless otherwise noted.)

| Symbol | Parameter | Test Condition | -5 | -6 | -7 | Unit |
|----------------------------------|---|---|-----|-----|-----|------|
| I _{DD1} ⁽¹⁾ | Operating Current | One bank active, CL = 3, BL = 1, t _{CLK} = t _{CLK} (min), t _{RC} = t _{RC} (min) | 140 | 120 | 110 | mA |
| I _{DD2P} | Precharge Standby Current (In Power-Down Mode) | CKE ≤ V _{IL} (MAX), t _{CK} = 15ns | 4 | 4 | 4 | mA |
| I _{DD2PS} | Precharge Standby Current (In Power-Down Mode) | CKE ≤ V _{IL} (MAX), CLK ≤ V _{IL} (MAX) | 4 | 4 | 4 | mA |
| I _{DD2N} ⁽²⁾ | Precharge Standby Current (In Non Power-Down Mode) | $\overline{\text{CS}} \geq V_{CC} - 0.2\text{V}$, CKE ≥ V _{IH} (MIN) t _{CK} = 15ns | 25 | 25 | 25 | mA |
| I _{DD2NS} | Precharge Standby Current (In Non Power-Down Mode) | $\overline{\text{CS}} \geq V_{CC} - 0.2\text{V}$, CKE ≥ V _{IH} (MIN) or CKE ≤ V _{IL} (MAX), All inputs stable | 15 | 15 | 15 | mA |
| I _{DD3P} | Active Standby Current (Power-Down Mode) | CKE ≤ V _{IL} (MAX), t _{CK} = 15ns | 8 | 8 | 8 | mA |
| I _{DD3PS} | Active Standby Current (Power-Down Mode) | CKE ≤ V _{IL} (MAX), CLK ≤ V _{IL} (MAX) | 8 | 8 | 8 | mA |
| I _{DD3N} ⁽²⁾ | Active Standby Current (In Non Power-Down Mode) | $\overline{\text{CS}} \geq V_{CC} - 0.2\text{V}$, CKE ≥ V _{IH} (MIN) t _{CK} = 15ns | 35 | 35 | 35 | mA |
| I _{DD3NS} | Active Standby Current (In Non Power-Down Mode) | $\overline{\text{CS}} \geq V_{CC} - 0.2\text{V}$, CKE ≥ V _{IH} (MIN) or CKE ≤ V _{IL} (MAX), All inputs stable | 20 | 20 | 20 | mA |
| I _{DD4} | Operating Current | All banks active, BL = 4, CL = 3, t _{CK} = t _{CK} (min) | 200 | 180 | 150 | mA |
| I _{DD5} | Auto-Refresh Current | t _{RC} = t _{RC} (min), t _{CLK} = t _{CLK} (min) | 160 | 145 | 140 | mA |
| I _{DD6} | Self-Refresh Current | CKE ≤ 0.2V | 6 | 6 | 6 | mA |

Notes:

- I_{DD} (MAX) is specified at the output open condition.
- Input signals are changed one time during 30ns.
- All values applicable for operation with $T_A \leq 85^\circ\text{C}$.
- For A2 temperature grade with $T_A > 85^\circ\text{C}$: IDD2P and IDD2PS are derated to 50% above the values; IDD3P and IDD3PS are derated to 30% above the values.



IS42/45R86400F/16320F IS42/45S86400F/16320F

AC ELECTRICAL CHARACTERISTICS ^(1,2,3)

| Symbol | Parameter | -5 | | -6 | | -7 | | Units | | |
|--------|---|--|------|------|------|------|------|-------|------|----|
| | | Min. | Max. | Min. | Max. | Min. | Max. | | | |
| tck3 | Clock Cycle Time | $\overline{\text{CAS}}$ Latency = 3 | | 5 | — | 6 | — | 7 | — | ns |
| tck2 | | $\overline{\text{CAS}}$ Latency = 2 | | 10 | — | 10 | — | 7.5 | — | ns |
| tac3 | Access Time From CLK | $\overline{\text{CAS}}$ Latency = 3 | | — | 5.0 | — | 5.4 | — | 5.4 | ns |
| tac2 | | $\overline{\text{CAS}}$ Latency = 2 | | — | 6 | — | 6 | — | 5.4 | ns |
| tch | CLK HIGH Level Width | 2 | — | 2.5 | — | 2.5 | — | 2.5 | — | ns |
| tcl | CLK LOW Level Width | 2 | — | 2.5 | — | 2.5 | — | 2.5 | — | ns |
| toh3 | Output Data Hold Time | $\overline{\text{CAS}}$ Latency = 3 | | 2.5 | — | 2.5 | — | 2.5 | — | ns |
| toh2 | | $\overline{\text{CAS}}$ Latency = 2 | | 2.5 | — | 2.5 | — | 2.5 | — | ns |
| tlz | Output LOW Impedance Time | 0 | — | 0 | — | 0 | — | 0 | — | ns |
| thz3 | Output HIGH Impedance Time | — | 5 | — | 5.4 | — | 5.4 | — | 5.4 | ns |
| thz2 | | — | 6 | — | 6 | — | 6 | — | 5.4 | ns |
| tds | Input Data Setup Time ⁽²⁾ | 1.5 | — | 1.5 | — | 1.5 | — | 1.5 | — | ns |
| tdh | Input Data Hold Time ⁽²⁾ | 0.8 | — | 0.8 | — | 0.8 | — | 0.8 | — | ns |
| tas | Address Setup Time ⁽²⁾ | 1.5 | — | 1.5 | — | 1.5 | — | 1.5 | — | ns |
| tah | Address Hold Time ⁽²⁾ | 0.8 | — | 0.8 | — | 0.8 | — | 0.8 | — | ns |
| tcks | CKE Setup Time ⁽²⁾ | 1.5 | — | 1.5 | — | 1.5 | — | 1.5 | — | ns |
| tckh | CKE Hold Time ⁽²⁾ | 0.8 | — | 0.8 | — | 0.8 | — | 0.8 | — | ns |
| tcms | Command Setup Time ($\overline{\text{CS}}$, $\overline{\text{RAS}}$, $\overline{\text{CAS}}$, $\overline{\text{WE}}$, $\overline{\text{DQM}}$) ⁽²⁾ | 1.5 | — | 1.5 | — | 1.5 | — | 1.5 | — | ns |
| tcmh | Command Hold Time ($\overline{\text{CS}}$, $\overline{\text{RAS}}$, $\overline{\text{CAS}}$, $\overline{\text{WE}}$, $\overline{\text{DQM}}$) ⁽²⁾ | 0.8 | — | 0.8 | — | 0.8 | — | 0.8 | — | ns |
| trc | Command Period (REF to REF / ACT to ACT) | 55 | — | 60 | — | 60 | — | 60 | — | ns |
| trras | Command Period (ACT to PRE) | 40 | 100K | 42 | 100K | 37 | 100K | 37 | 100K | ns |
| trp | Command Period (PRE to ACT) | 15 | — | 18 | — | 15 | — | 15 | — | ns |
| trcd | Active Command To Read / Write Command Delay Time | 15 | — | 18 | — | 15 | — | 15 | — | ns |
| trrd | Command Period (ACT [0] to ACT[1]) | 10 | — | 12 | — | 14 | — | 14 | — | ns |
| tdpl | Input Data To Precharge Command Delay time | 10 | — | 12 | — | 14 | — | 14 | — | ns |
| tdal | Input Data To Active / Refresh Command Delay time (During Auto-Precharge) | 25 | — | 30 | — | 30 | — | 30 | — | ns |
| tprd | Mode Register Program Time | 10 | — | 12 | — | 14 | — | 14 | — | ns |
| tdde | Power Down Exit Setup Time | 5 | — | 6 | — | 7 | — | 7 | — | ns |
| txsr | Self-Refresh Exit Time | 60 | — | 70 | — | 67 | — | 67 | — | ns |
| tr | Transition Time | 0.3 | 1.2 | 0.3 | 1.2 | 0.3 | 1.2 | 0.3 | 1.2 | ns |
| trf | Refresh Cycle Time (8192) | $T_A \leq 70^\circ\text{C}$ Com, Ind, A1, A2 | | — | 64 | 64 | — | — | 64 | ms |
| | | $T_A \leq 85^\circ\text{C}$ Ind, A1, A2 | | — | — | 64 | — | — | 64 | ms |
| | | $T_A > 85^\circ\text{C}$ A2 | | — | — | — | — | — | 16 | ms |

Notes:

1. The power-on sequence must be executed before starting memory operation.
2. Measured with $t_r = 1$ ns. If clock rising time is longer than 1ns, $(t_r / 2 - 0.5)$ ns should be added to the parameter.
3. The reference level is 1.4V when measuring input signal timing. Rise and fall times are measured between $V_{IH}(\text{min.})$ and $V_{IL}(\text{max.})$.

OPERATING FREQUENCY / LATENCY RELATIONSHIPS

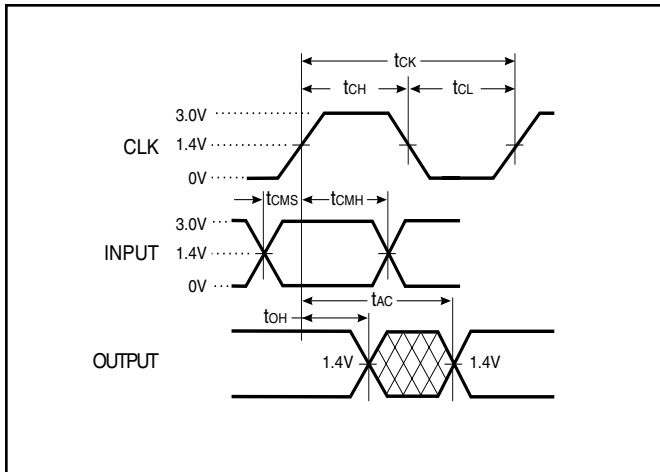
| SYMBOL | PARAMETER | -5 | -6 | -7 | -7 | UNITS |
|-------------------|--|-----|-----|-----|-----|-------|
| — | Clock Cycle Time | 5 | 6 | 7 | 7.5 | ns |
| — | Operating Frequency | 200 | 167 | 143 | 133 | MHz |
| t _{CAC} | $\overline{\text{CAS}}$ Latency | 3 | 3 | 3 | 2 | cycle |
| t _{RCD} | Active Command To Read/Write Command Delay Time | 3 | 3 | 3 | 2 | cycle |
| t _{RAC} | $\overline{\text{RAS}}$ Latency (t _{RCD} + t _{CAC}) | 6 | 6 | 6 | — | cycle |
| | | — | — | — | 4 | |
| t _{RC} | Command Period (REF to REF / ACT to ACT) | 11 | 10 | 9 | 8 | cycle |
| t _{RAS} | Command Period (ACT to PRE) | 8 | 7 | 6 | 5 | cycle |
| t _{RP} | Command Period (PRE to ACT) | 3 | 3 | 3 | 2 | cycle |
| t _{RRD} | Command Period (ACT[0] to ACT [1]) | 2 | 2 | 2 | 2 | cycle |
| t _{CCD} | Column Command Delay Time (READ, READA, WRIT, WRITA) | 1 | 1 | 1 | 1 | cycle |
| t _{DPL} | Input Data To Precharge Command Delay Time | 2 | 2 | 2 | 2 | cycle |
| t _{DAL} | Input Data To Active/Refresh Command Delay Time (During Auto-Precharge) | 5 | 5 | 5 | 4 | cycle |
| t _{RGBD} | Burst Stop Command To Output in HIGH-Z Delay Time (Read) | 3 | 3 | 3 | — | cycle |
| | | — | — | — | 2 | |
| t _{WBD} | Burst Stop Command To Input in Invalid Delay Time (Write) | 0 | 0 | 0 | 0 | cycle |
| t _{RQL} | Precharge Command To Output in HIGH-Z Delay Time (Read) | 3 | 3 | 3 | — | cycle |
| | | — | — | — | 2 | |
| t _{WDL} | Precharge Command To Input in Invalid Delay Time (Write) | 0 | 0 | 0 | 0 | cycle |
| t _{PQL} | Last Output To Auto-Precharge Start Time (Read) | -2 | -2 | -2 | — | cycle |
| | | — | — | — | -1 | |
| t _{QMD} | DQM To Output Delay Time (Read) | 2 | 2 | 2 | 2 | cycle |
| t _{DMD} | DQM To Input Delay Time (Write) | 0 | 0 | 0 | 0 | cycle |
| t _{MRD} | Mode Register Set To Command Delay Time | 2 | 2 | 2 | 2 | cycle |

Note: Settings follow AC Electrical Characteristics on previous page.

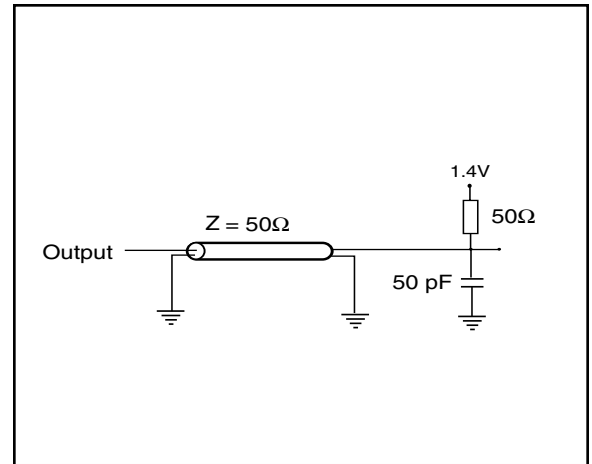
IS42/45R86400F/16320F IS42/45S86400F/16320F

AC TEST CONDITIONS: 3.3V

Input Load



Output Load

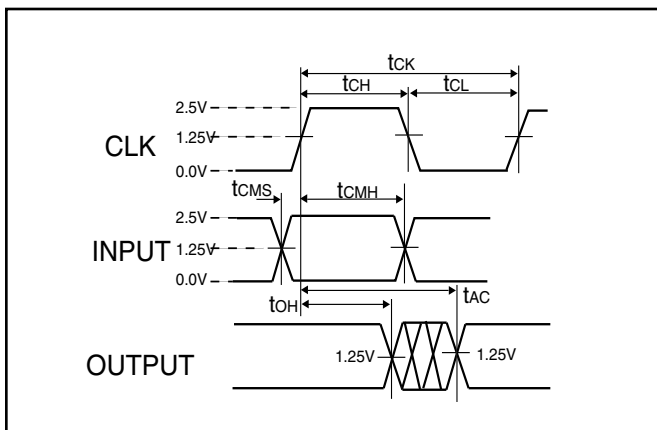


AC TEST CONDITIONS

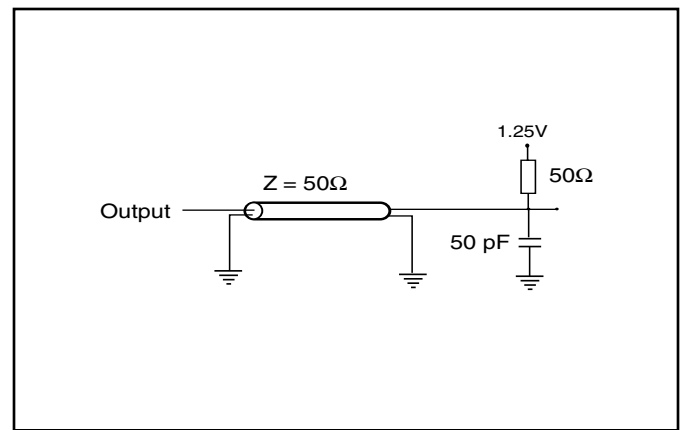
| Parameter | IS42/45Sxxxxx Rating | IS42/45Rxxxxx Rating |
|---|-------------------------|-------------------------|
| AC Input Levels | 0V to 3.0V | 0V to 2.5V |
| Input Rise and Fall Times | 1 ns | 1 ns |
| Input Timing Reference Level | 1.4V | 1.25V |
| Output Timing Measurement Reference Level | 1.4V | 1.25V |

AC TEST CONDITIONS: 2.5V

Input Load



Output Load



FUNCTIONAL DESCRIPTION

The 512Mb SDRAMs are quad-bank DRAMs which operate at 3.3V or 2.5V and include a synchronous interface (all signals are registered on the positive edge of the clock signal, CLK).

Read and write accesses to the SDRAM are burst oriented; accesses start at a selected location and continue for a programmed number of locations in a programmed sequence. Accesses begin with the registration of an ACTIVE command which is then followed by a READ or WRITE command. The address bits registered coincident with the ACTIVE command are used to select the bank and row to be accessed (BA0 and BA1 select the bank, A0-A12 select the row). The address bits A0-An; registered coincident with the READ or WRITE command are used to select the starting column location for the burst access.

Prior to normal operation, the SDRAM must be initialized. The following sections provide detailed information covering device initialization, register definition, command descriptions and device operation.

Initialization

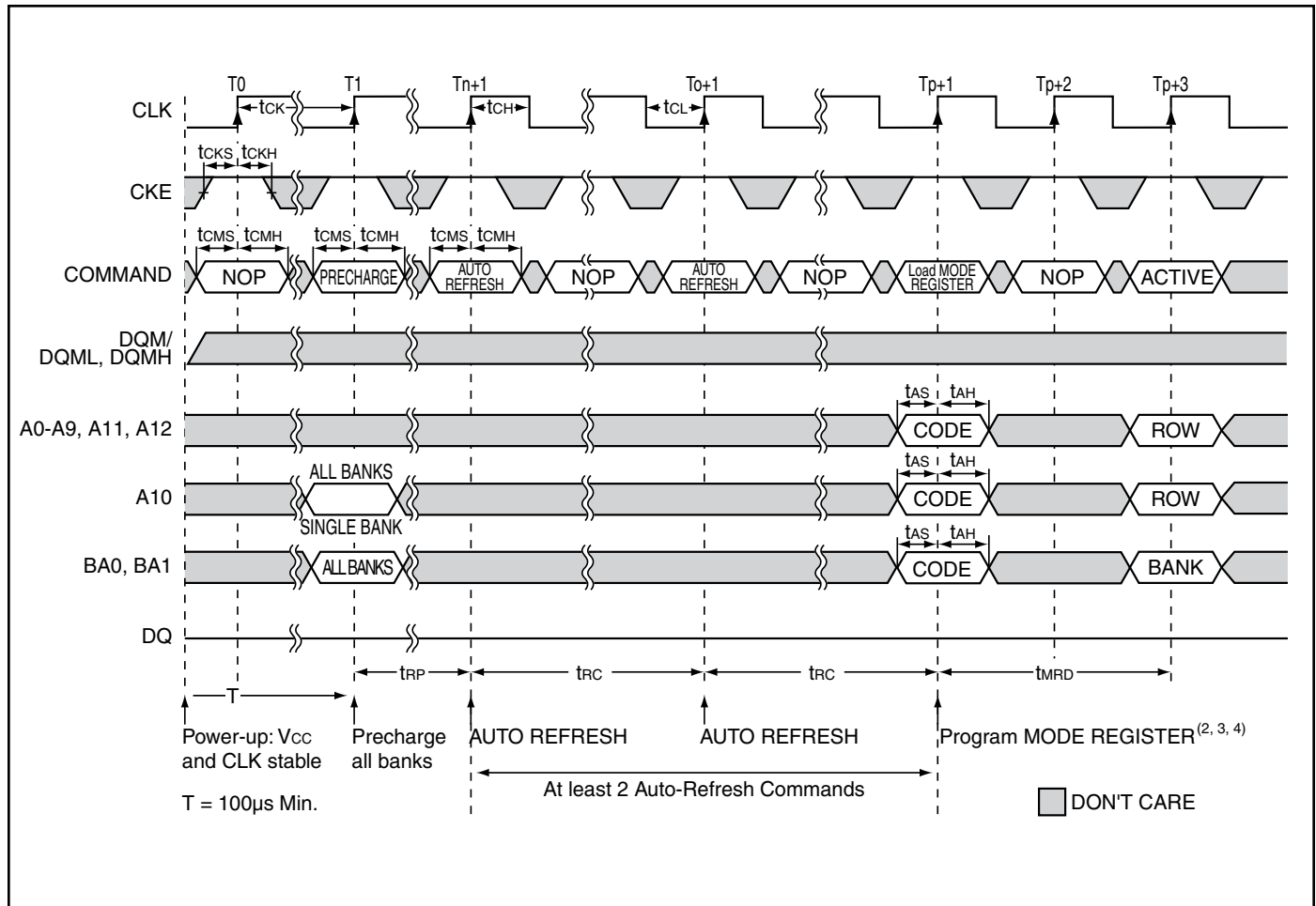
SDRAMs must be powered up and initialized in a predefined manner.

The 512Mb SDRAM is initialized after the power is applied to V_{DD} and V_{DDQ} (simultaneously) and the clock is stable with DQM High and CKE High.

A 100 μ s delay is required prior to issuing any command other than a COMMAND INHIBIT or a NOP. The COMMAND INHIBIT or NOP may be applied during the 100 μ s period and should continue at least through the end of the period.

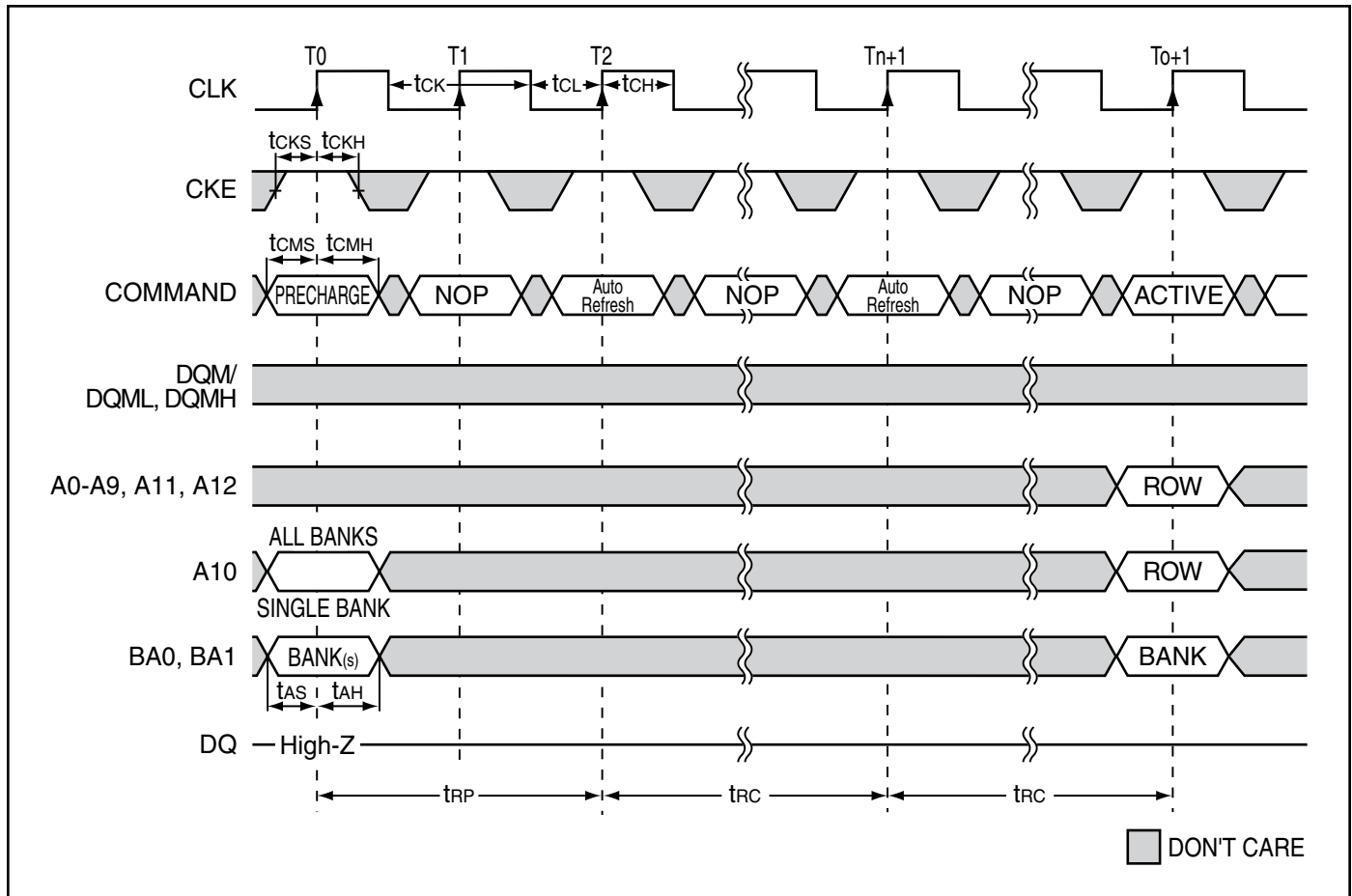
With at least one COMMAND INHIBIT or NOP command having been applied, a PRECHARGE command should be applied once the 100 μ s delay has been satisfied. All banks must be precharged. This will leave all banks in an idle state after which at least two AUTO REFRESH cycles must be performed. After the AUTO REFRESH cycles are complete, the SDRAM is then ready for mode register programming.

The mode register should be loaded prior to applying any operational command because it will power up in an unknown state.

INITIALIZE AND LOAD MODE REGISTER⁽¹⁾

Notes:

1. If CS is High at clock High time, all commands applied are NOP.
2. The Mode register may be loaded prior to the Auto-Refresh cycles if desired.
3. JEDEC and PC100 specify three clocks.
4. Outputs are guaranteed High-Z after the command is issued.

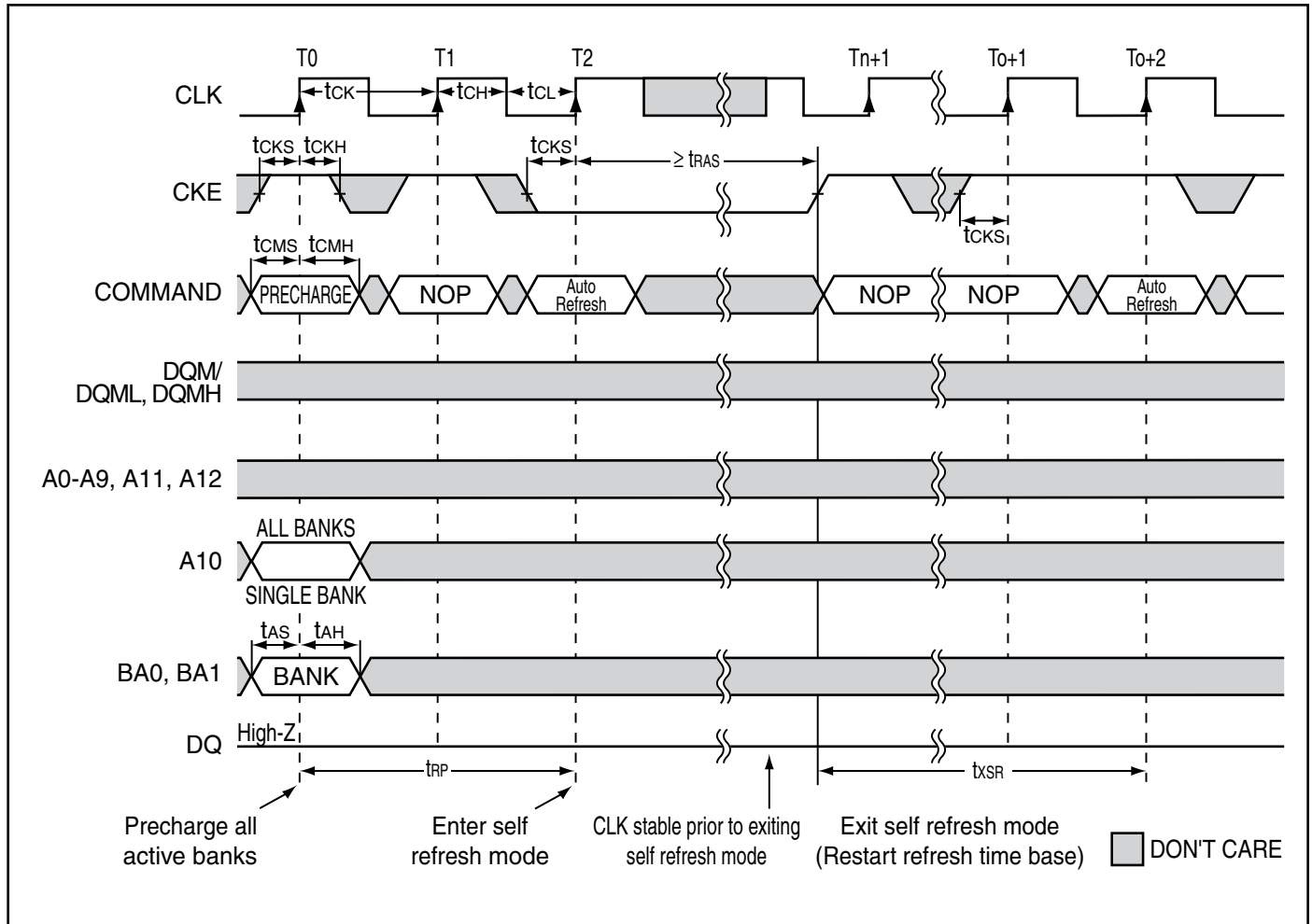
AUTO-REFRESH CYCLE



Notes:

1. \overline{CAS} latency = 2, 3

SELF-REFRESH CYCLE



Notes:

1. Self-Refresh mode is not supported for A2 grade with $T_A > +85^\circ\text{C}$.

REGISTER DEFINITION

Mode Register

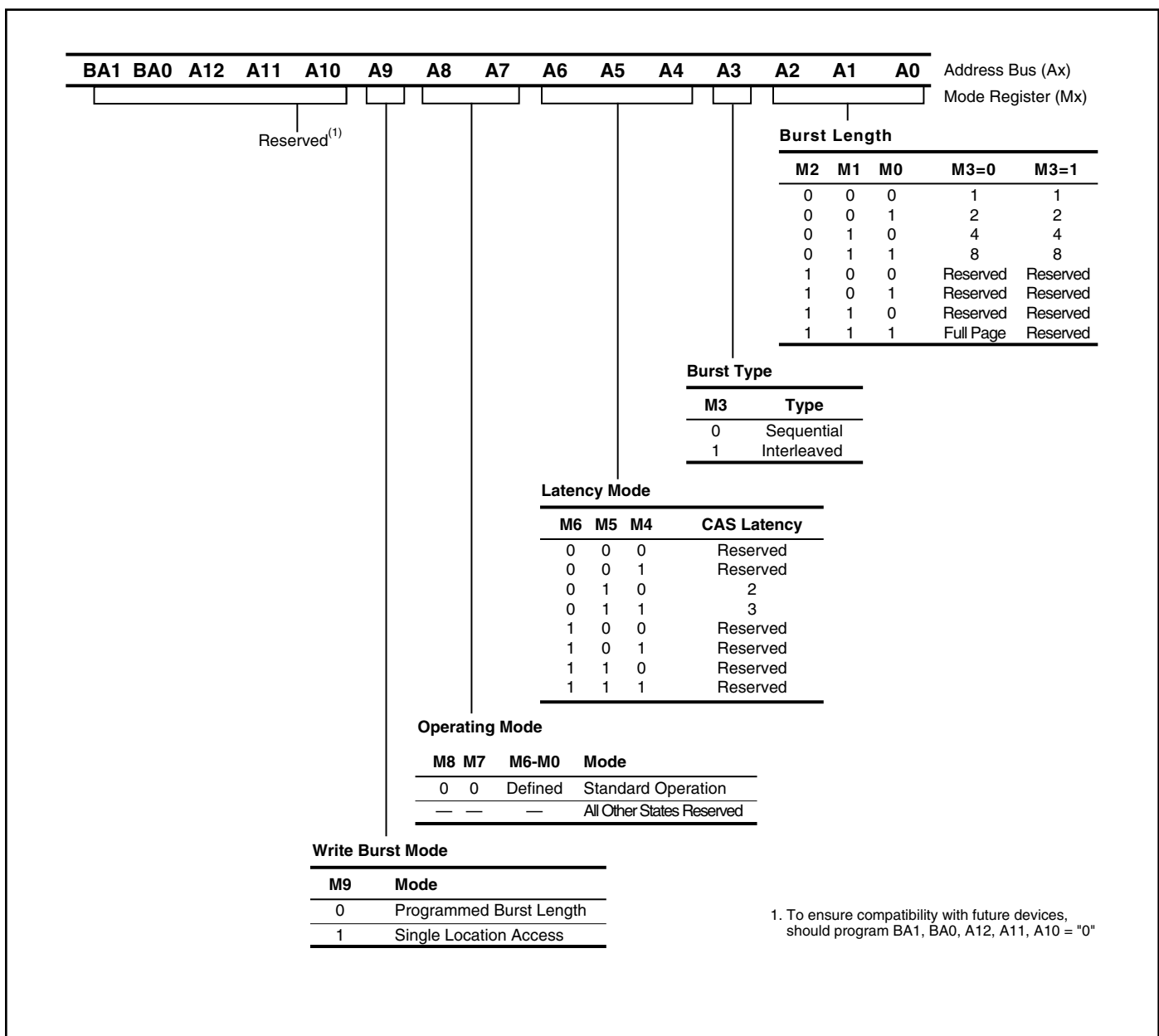
The mode register is used to define the specific mode of operation of the SDRAM. This definition includes the selection of a burst length, a burst type, a CAS latency, an operating mode and a write burst mode, as shown in MODE REGISTER DEFINITION.

The mode register is programmed via the LOAD MODE REGISTER command and will retain the stored information until it is programmed again or the device loses power.

Mode register bits M0-M2 specify the burst length, M3 specifies the type of burst (sequential or interleaved), M4- M6 specify the CAS latency, M7 and M8 specify the operating mode, M9 specifies the WRITE burst mode, and M10, M11, and M12 are reserved for future use.

The mode register must be loaded when all banks are idle, and the controller must wait the specified time before initiating the subsequent operation. Violating either of these requirements will result in unspecified operation.

MODE REGISTER DEFINITION



BURST LENGTH

Read and write accesses to the SDRAM are burst oriented, with the burst length being programmable, as shown in MODE REGISTER DEFINITION. The burst length determines the maximum number of column locations that can be accessed for a given READ or WRITE command. Burst lengths of 1, 2, 4 or 8 locations are available for both the sequential and the interleaved burst types, and a full-page burst is available for the sequential type. The full-page burst is used in conjunction with the BURST TERMINATE command to generate arbitrary burst lengths.

Reserved states should not be used, as unknown operation or incompatibility with future versions may result.

When a READ or WRITE command is issued, a block of columns equal to the burst length is effectively selected. All accesses for that burst take place within this block, meaning that the burst will wrap within the block if a boundary is

reached. The block is uniquely selected by A1-An when the burst length is set to two; by A2-An when the burst length is set to four; and by A3-An when the burst length is set to eight, where An = A9 for x16, and An = A11 for x8. The remaining (least significant) address bit(s) is (are) used to select the starting location within the block. Full-page bursts wrap within the page if the boundary is reached.

Burst Type

Accesses within a given burst may be programmed to be either sequential or interleaved; this is referred to as the burst type and is selected via bit M3.

The ordering of accesses within a burst is determined by the burst length, the burst type and the starting column address, as shown in BURST DEFINITION table.

BURST DEFINITION

| Burst Length | Starting Column Address | | | Order of Accesses Within a Burst | |
|--------------------|--|---|---|--|--------------------|
| | | | | Type = Sequential | Type = Interleaved |
| A 0 | | | | | |
| 2 | 0 | | | 0-1 | 0-1 |
| | 1 | | | 1-0 | 1-0 |
| A 1 A 0 | | | | | |
| 4 | 0 | 0 | | 0-1-2-3 | 0-1-2-3 |
| | 0 | 1 | | 1-2-3-0 | 1-0-3-2 |
| | 1 | 0 | | 2-3-0-1 | 2-3-0-1 |
| | 1 | 1 | | 3-0-1-2 | 3-2-1-0 |
| A 2 A 1 A 0 | | | | | |
| 8 | 0 | 0 | 0 | 0-1-2-3-4-5-6-7 | 0-1-2-3-4-5-6-7 |
| | 0 | 0 | 1 | 1-2-3-4-5-6-7-0 | 1-0-3-2-5-4-7-6 |
| | 0 | 1 | 0 | 2-3-4-5-6-7-0-1 | 2-3-0-1-6-7-4-5 |
| | 0 | 1 | 1 | 3-4-5-6-7-0-1-2 | 3-2-1-0-7-6-5-4 |
| | 1 | 0 | 0 | 4-5-6-7-0-1-2-3 | 4-5-6-7-0-1-2-3 |
| | 1 | 0 | 1 | 5-6-7-0-1-2-3-4 | 5-4-7-6-1-0-3-2 |
| | 1 | 1 | 0 | 6-7-0-1-2-3-4-5 | 6-7-4-5-2-3-0-1 |
| | 1 | 1 | 1 | 7-0-1-2-3-4-5-6 | 7-6-5-4-3-2-1-0 |
| Full Page (y) | n = A0-A9 (x16) n = A0-A9, A11 (x8) (location 0-y) | | | Cn, Cn + 1, Cn + 2 Cn + 3, Cn + 4... ...Cn - 1, Cn... | Not Supported |

CAS Latency

The CAS latency is the delay, in clock cycles, between the registration of a READ command and the availability of the first piece of output data. The latency can be set to two or three clocks.

If a READ command is registered at clock edge n , and the latency is m clocks, the data will be available by clock edge $n + m$. The DQs will start driving as a result of the clock edge one cycle earlier ($n + m - 1$), and provided that the relevant access times are met, the data will be valid by clock edge $n + m$. For example, assuming that the clock cycle time is such that all relevant access times are met, if a READ command is registered at T_0 and the latency is programmed to two clocks, the DQs will start driving after T_1 and the data will be valid by T_2 , as shown in CAS Latency diagrams. The Allowable Operating Frequency table indicates the operating frequencies at which each CAS latency setting can be used.

Reserved states should not be used as unknown operation or incompatibility with future versions may result.

Operating Mode

The normal operating mode is selected by setting M7 and M8 to zero; the other combinations of values for M7 and M8 are reserved for future use and/or test modes. The programmed burst length applies to both READ and WRITE bursts.

Test modes and reserved states should not be used because unknown operation or incompatibility with future versions may result.

Write Burst Mode

When M9 = 0, the burst length programmed via M0-M2 applies to both READ and WRITE bursts; when M9 = 1, the programmed burst length applies to READ bursts, but write accesses are single-location (nonburst) accesses.

CAS Latency

Allowable Operating Frequency (MHz)

| Speed | CAS Latency = 2 | CAS Latency = 3 |
|-------|-----------------|-----------------|
| -5 | 100 | 200 |
| -6 | 100 | 167 |
| -7 | 133 | 143 |

CAS LATENCY



CHIP OPERATION

BANK/ROW ACTIVATION

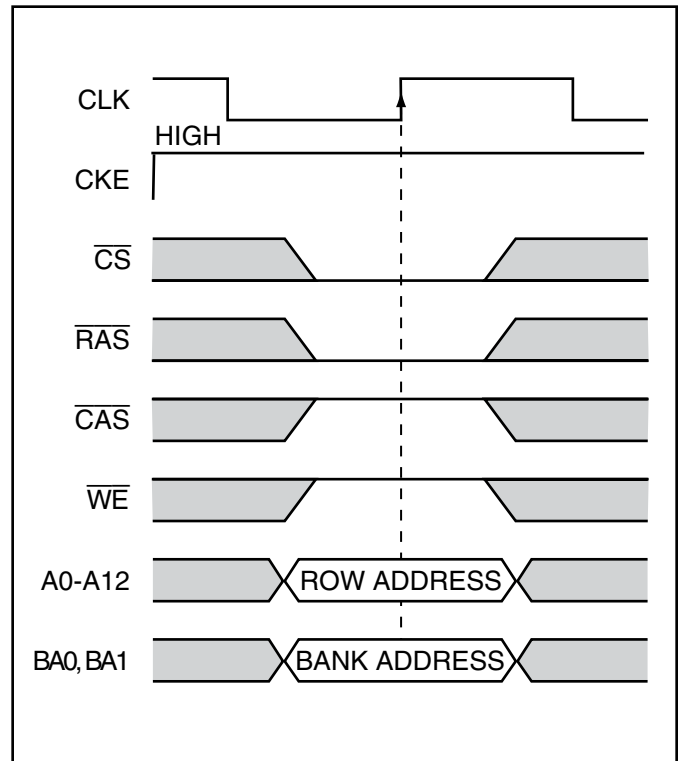
Before any READ or WRITE commands can be issued to a bank within the SDRAM, a row in that bank must be "opened." This is accomplished via the ACTIVE command, which selects both the bank and the row to be activated (see Activating Specific Row Within Specific Bank).

After opening a row (issuing an ACTIVE command), a READ or WRITE command may be issued to that row, subject to the t_{RCD} specification. Minimum t_{RCD} should be divided by the clock period and rounded up to the next whole number to determine the earliest clock edge after the ACTIVE command on which a READ or WRITE command can be entered. For example, a t_{RCD} specification of 15ns with a 143 MHz clock (7ns period) results in 2.14 clocks, rounded to 3. This is reflected in the following example, which covers any case where $2 < [t_{RCD} (MIN)/t_{CK}] \leq 3$. (The same procedure is used to convert other specification limits from time units to clock cycles).

A subsequent ACTIVE command to a different row in the same bank can only be issued after the previous active row has been "closed" (precharged). The minimum time interval between successive ACTIVE commands to the same bank is defined by t_{RC} .

A subsequent ACTIVE command to another bank can be issued while the first bank is being accessed, which results in a reduction of total row-access overhead. The minimum time interval between successive ACTIVE commands to different banks is defined by t_{RRD} .

ACTIVATING SPECIFIC ROW WITHIN SPECIFIC BANK



EXAMPLE: MEETING $t_{RCD} (MIN)$ WHEN $2 < [t_{RCD} (MIN)/T_{CK}] \leq 3$



READS

READ bursts are initiated with a READ command, as shown in the READ COMMAND diagram.

The starting column and bank addresses are provided with the READ command, and auto precharge is either enabled or disabled for that burst access. If auto precharge is enabled, the row being accessed is precharged at the completion of the burst. For the generic READ commands used in the following illustrations, auto precharge is disabled.

During READ bursts, the valid data-out element from the starting column address will be available following the CAS latency after the READ command. Each subsequent data-out element will be valid by the next positive clock edge. The CAS Latency diagram shows general timing for each possible CAS latency setting.

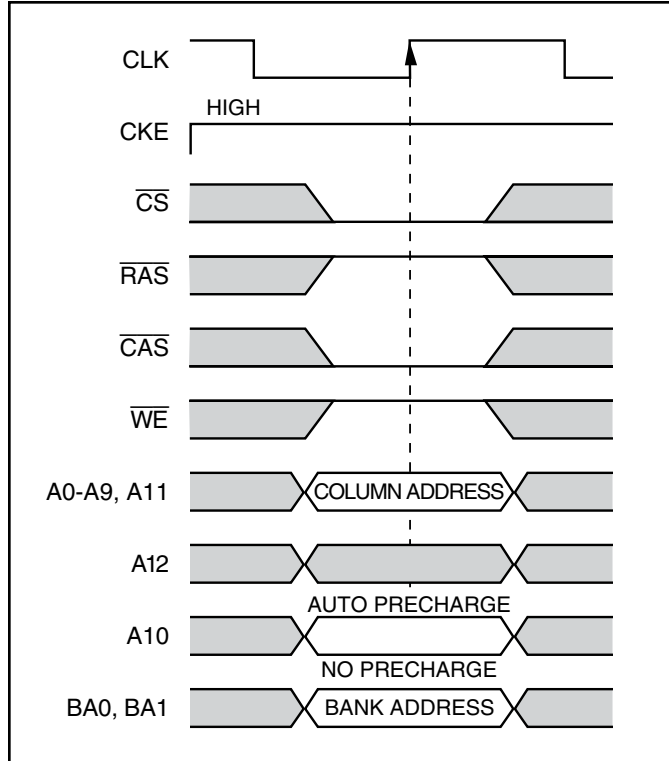
Upon completion of a burst, assuming no other commands have been initiated, the DQs will go High-Z. A full-page burst will continue until terminated. (At the end of the page, it will wrap to column 0 and continue.)

Data from any READ burst may be truncated with a subsequent READ command, and data from a fixed-length READ burst may be immediately followed by data from a READ command. In either case, a continuous flow of data can be maintained. The first data element from the new burst follows either the last element of a completed burst or the last desired data element of a longer burst which is being truncated.

The new READ command should be issued x cycles before the clock edge at which the last desired data element is valid, where x equals the CAS latency minus one. This is shown in Consecutive READ Bursts for CAS latencies of two and three; data element $n + 3$ is either the last of a burst of four or the last desired of a longer burst. The 512Mb SDRAM uses a pipelined architecture and therefore does not require the $2n$ rule associated with a prefetch architecture. A READ command can be initiated on any clock cycle following a previous READ command. Full-speed random read accesses can be performed to the same bank, as shown in Random READ Accesses, or each subsequent READ may be performed to a different bank.

Data from any READ burst may be truncated with a subsequent WRITE command, and data from a fixed-length READ burst may be immediately followed by data from a WRITE command (subject to bus turnaround limitations). The WRITE burst may be initiated on the clock edge immediately following the last (or last desired) data element from the READ burst, provided that I/O contention can be avoided. In a given system design, there may be a possibility that the device driving the input data will go Low-Z before the SDRAM DQs go High-Z. In this case, at least a single-cycle delay should occur between the last read data and the WRITE command.

READ COMMAND



Note:
x16: A11 is "Don't Care"

The DQM input is used to avoid I/O contention, as shown in Figures RW1 and RW2. The DQM signal must be asserted (HIGH) at least three clocks prior to the WRITE command (DQM latency is two clocks for output buffers) to suppress data-out from the READ. Once the WRITE command is registered, the DQs will go High-Z (or remain High-Z), regardless of the state of the DQM signal, provided the DQM was active on the clock just prior to the WRITE command that truncated the READ command. If not, the second WRITE will be an invalid WRITE. For example, if DQM was LOW during T4 in Figure RW2, then the WRITES at T5 and T7 would be valid, while the WRITE at T6 would be invalid.

The DQM signal must be de-asserted prior to the WRITE command (DQM latency is zero clocks for input buffers) to ensure that the written data is not masked.

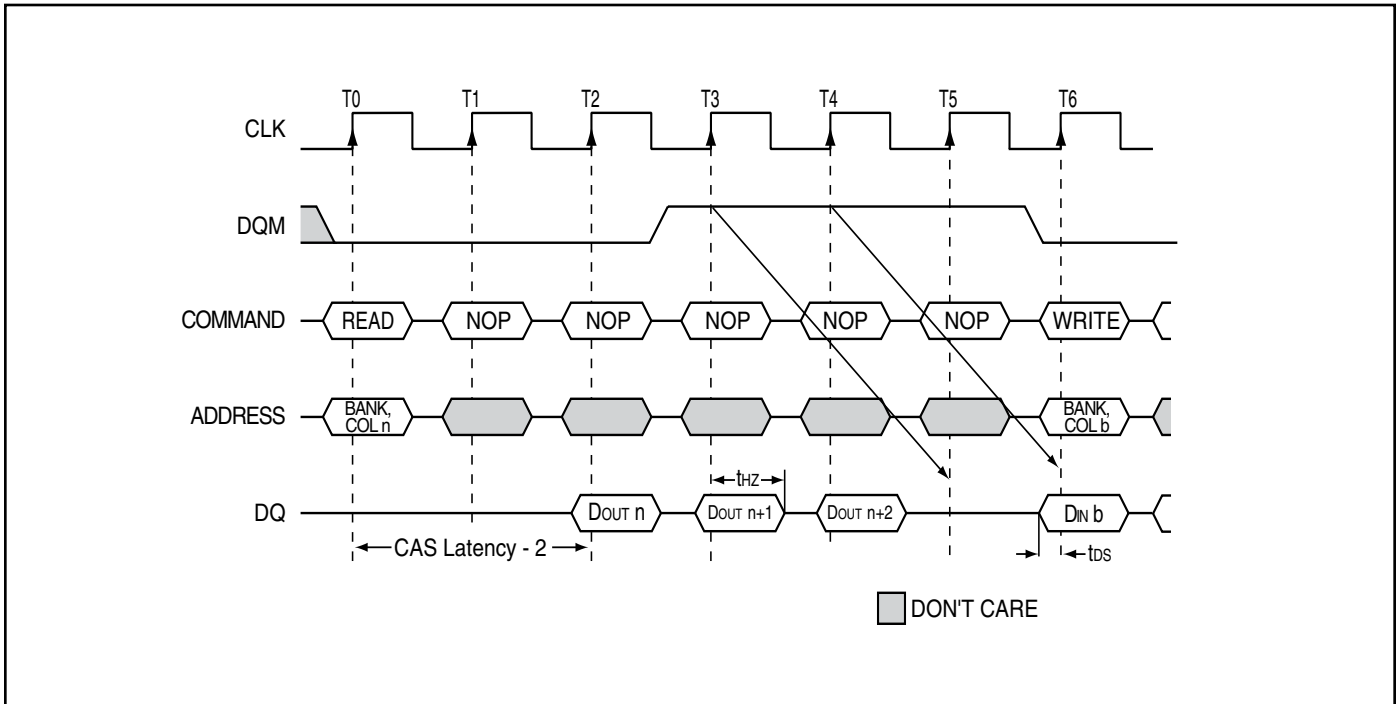
A fixed-length READ burst may be followed by, or truncated with, a PRECHARGE command to the same bank (provided that auto precharge was not activated), and a full-page burst may be truncated with a PRECHARGE command to the same bank. The PRECHARGE command should be issued x cycles before the clock edge at which the last desired data element is valid, where x equals the CAS latency minus one. This is shown in the READ to PRECHARGE

diagram for each possible CAS latency; data element $n + 3$ is either the last of a burst of four or the last desired of a longer burst. Following the PRECHARGE command, a subsequent command to the same bank cannot be issued until t_{RP} is met. Note that part of the row precharge time is hidden during the access of the last data element(s).

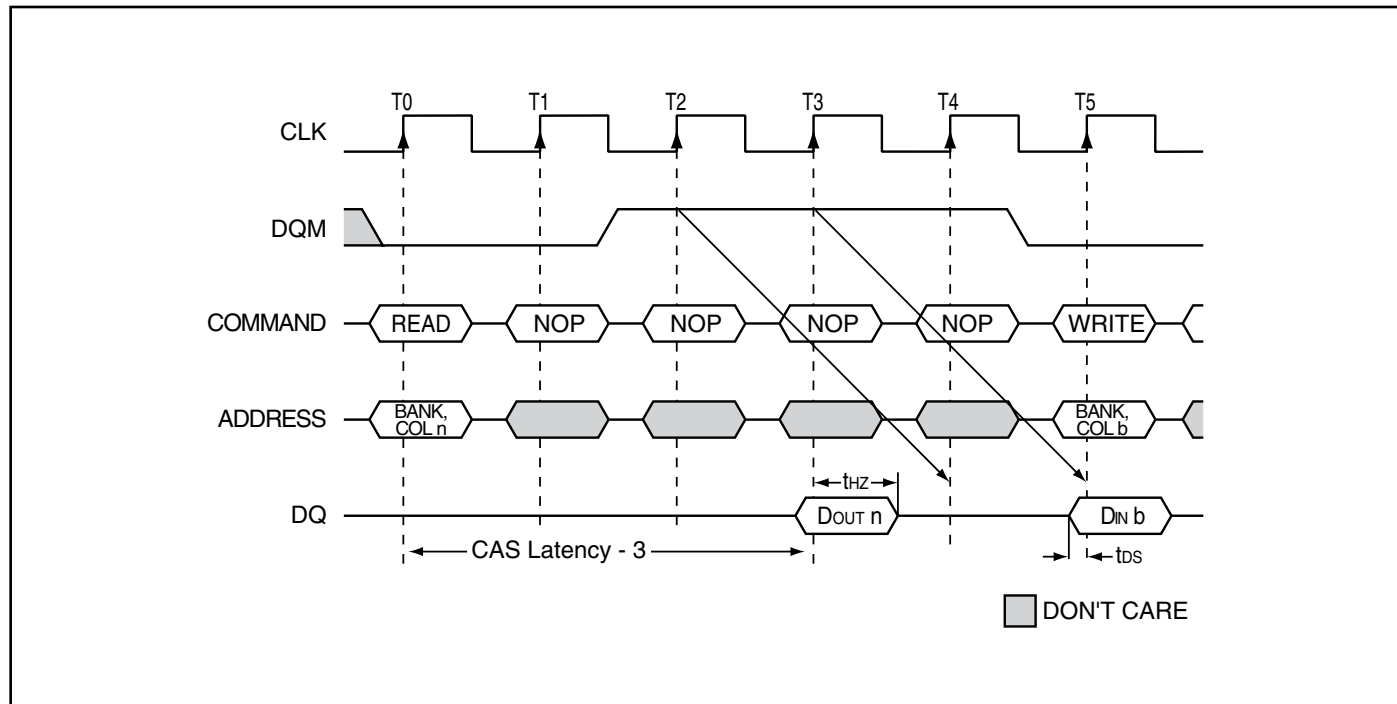
In the case of a fixed-length burst being executed to completion, a PRECHARGE command issued at the optimum time (as described above) provides the same operation that would result from the same fixed-length burst with auto precharge. The disadvantage of the PRECHARGE command is that it requires that the command and address buses be available at the appropriate time to issue the command; the advantage of the PRECHARGE command is that it can be used to truncate fixed-length or full-page bursts.

Full-page READ bursts can be truncated with the BURST TERMINATE command, and fixed-length READ bursts may be truncated with a BURST TERMINATE command, provided that auto precharge was not activated. The BURST TERMINATE command should be issued x cycles before the clock edge at which the last desired data element is valid, where x equals the CAS latency minus one. This is shown in the READ Burst Termination diagram for each possible CAS latency; data element $n + 3$ is the last desired data element of a longer burst.

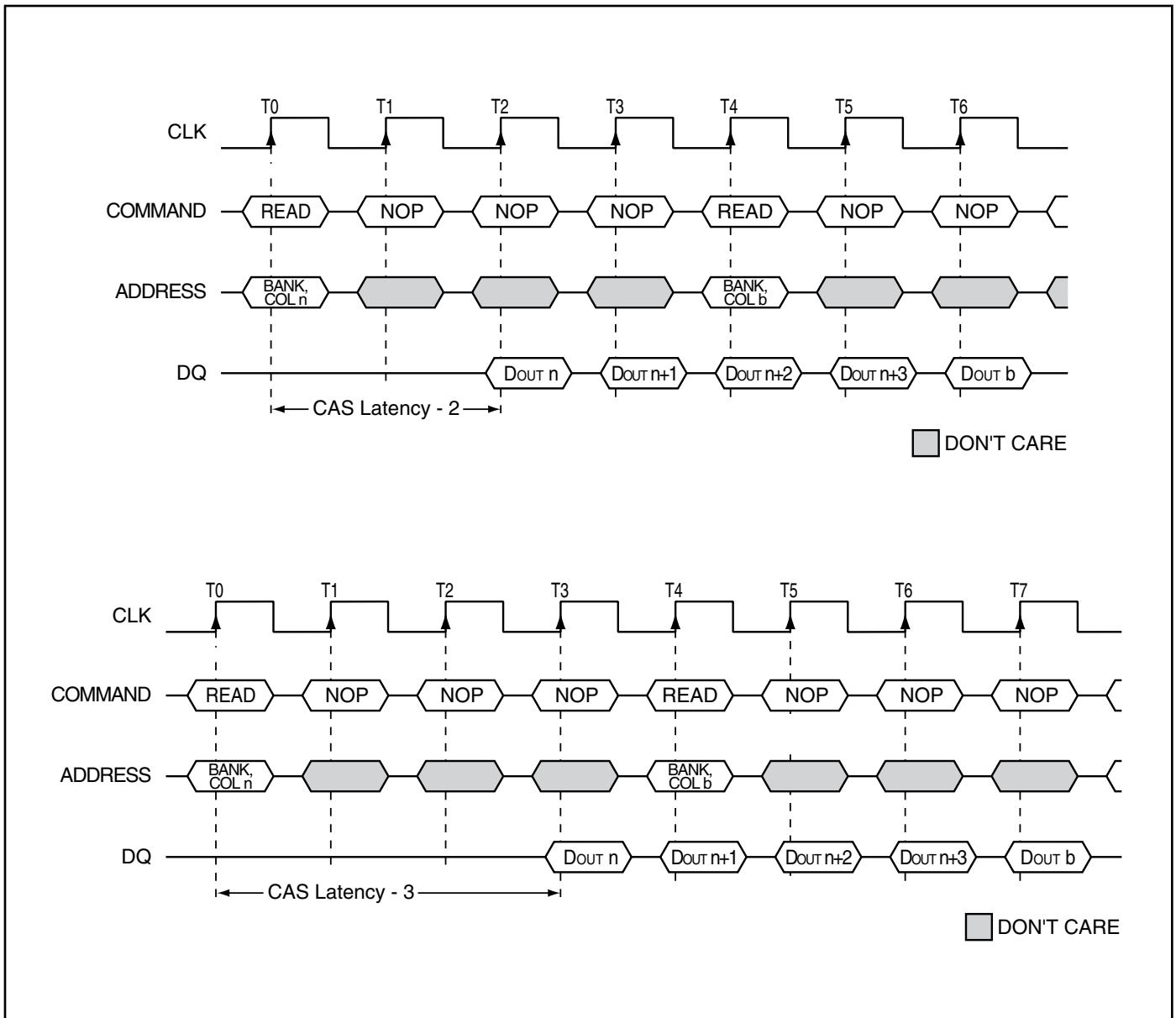
RW1 - READ to WRITE



RW2 - READ to WRITE



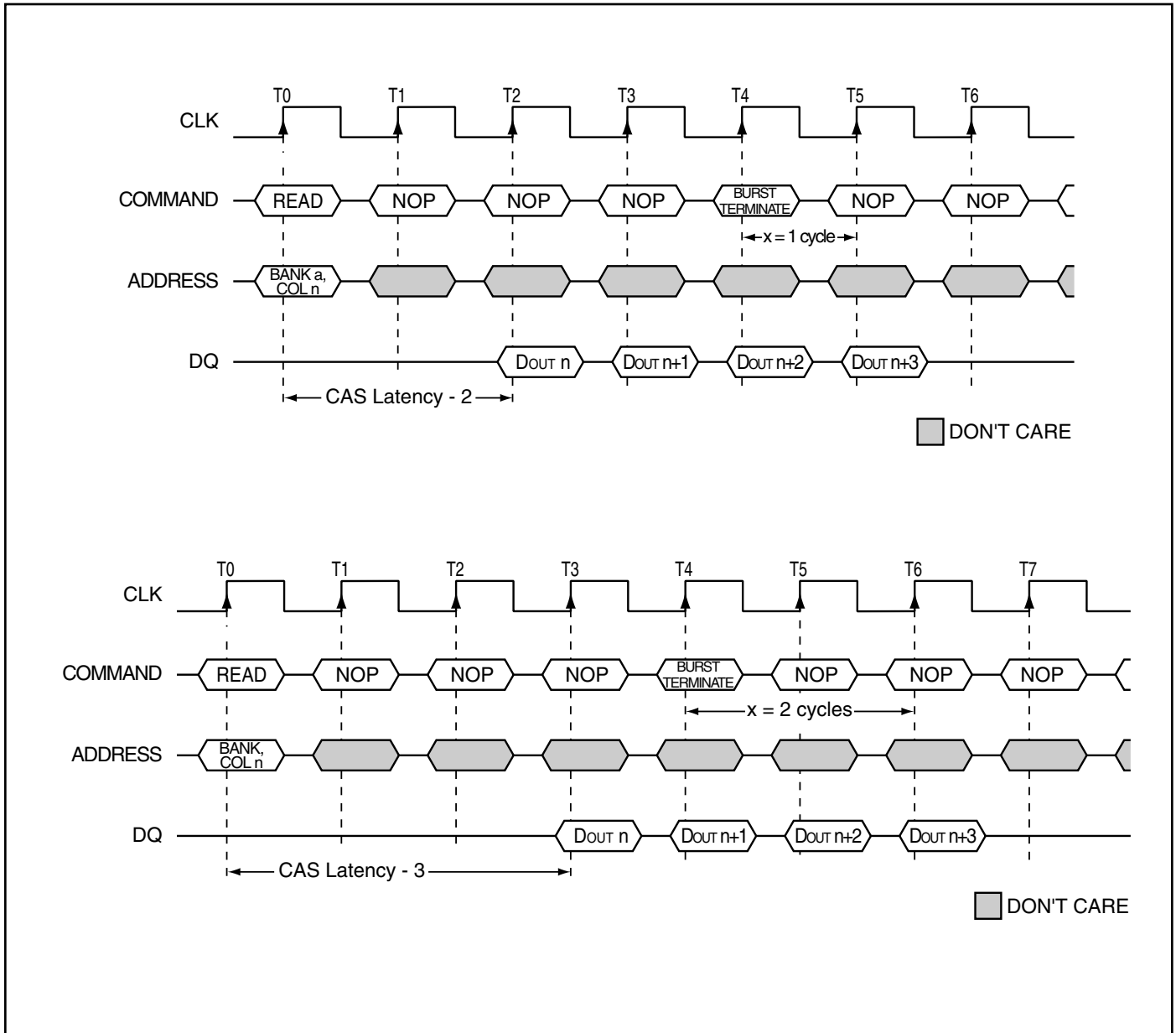
CONSECUTIVE READ BURSTS



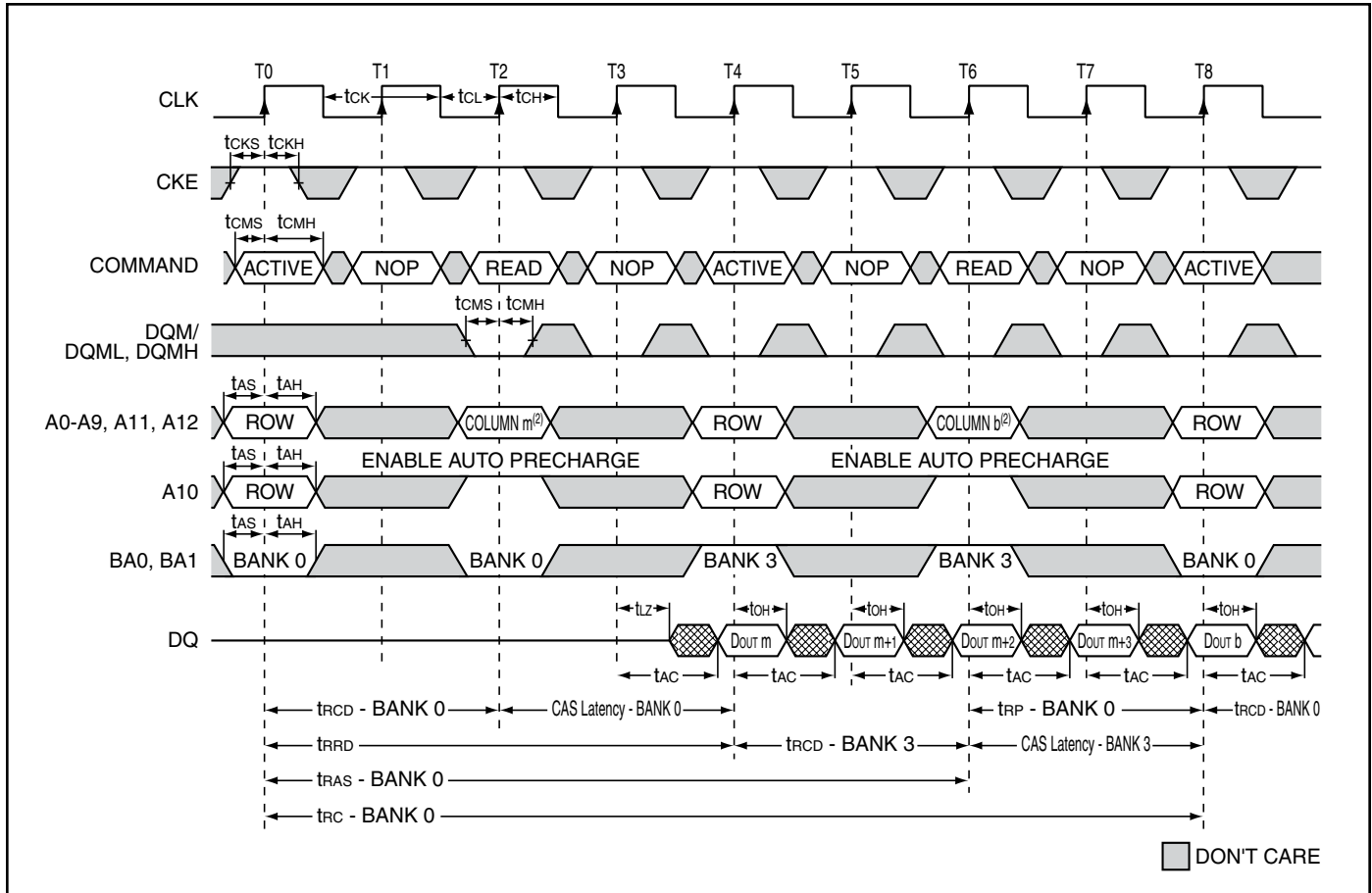
RANDOM READ ACCESSES



READ BURST TERMINATION



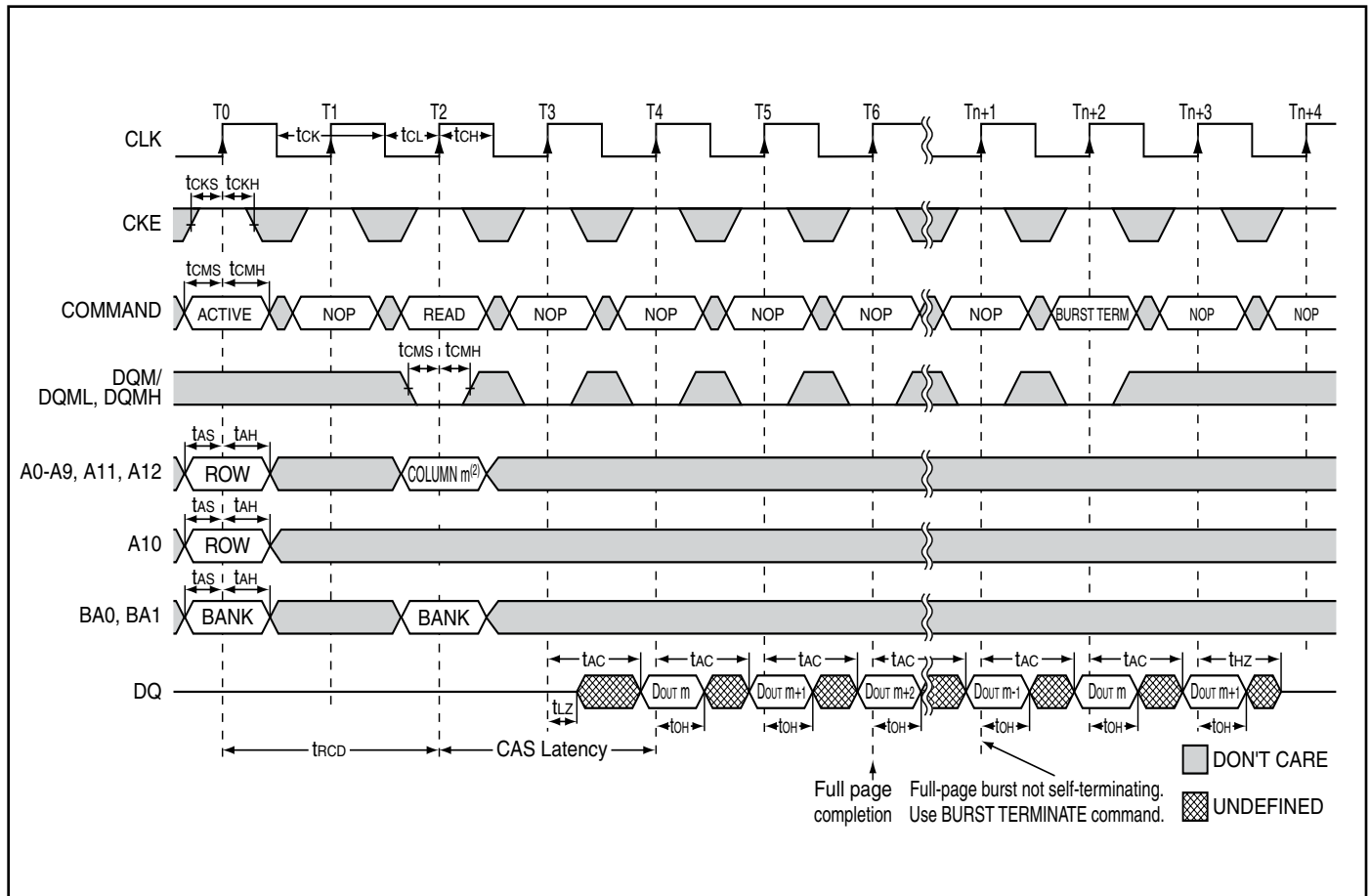
ALTERNATING BANK READ ACCESSES



Notes:

- 1) CAS latency = 2, Burst Length = 4
- 2) x8: A12 = "Don't Care"
- x16: A11, A12 = "Don't Care"

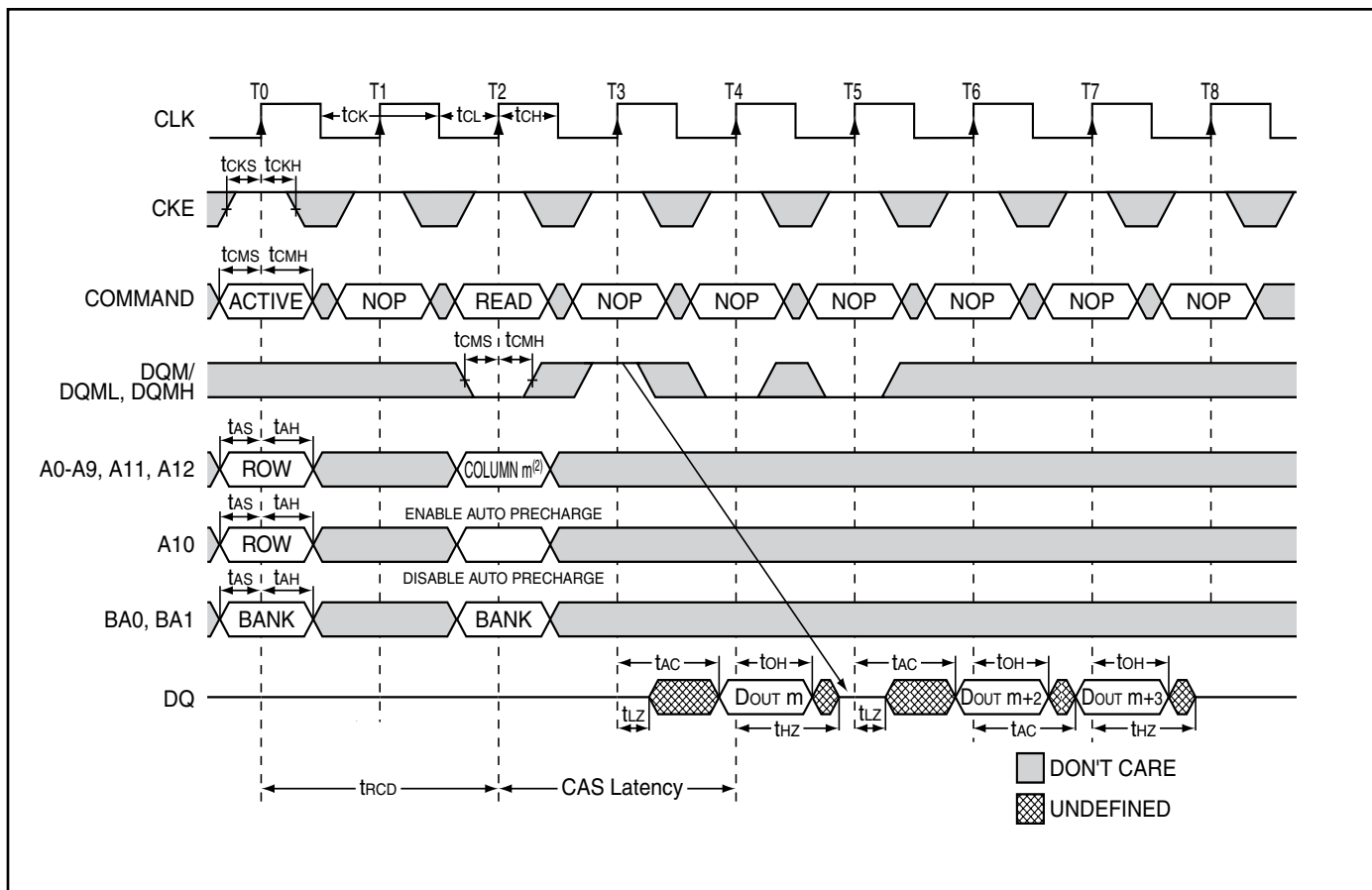
READ - FULL-PAGE BURST



Notes:

- 1) CAS latency = 2, Burst Length = Full Page
- 2) x8: A12 = "Don't Care"
- x16: A11, A12 = "Don't Care"

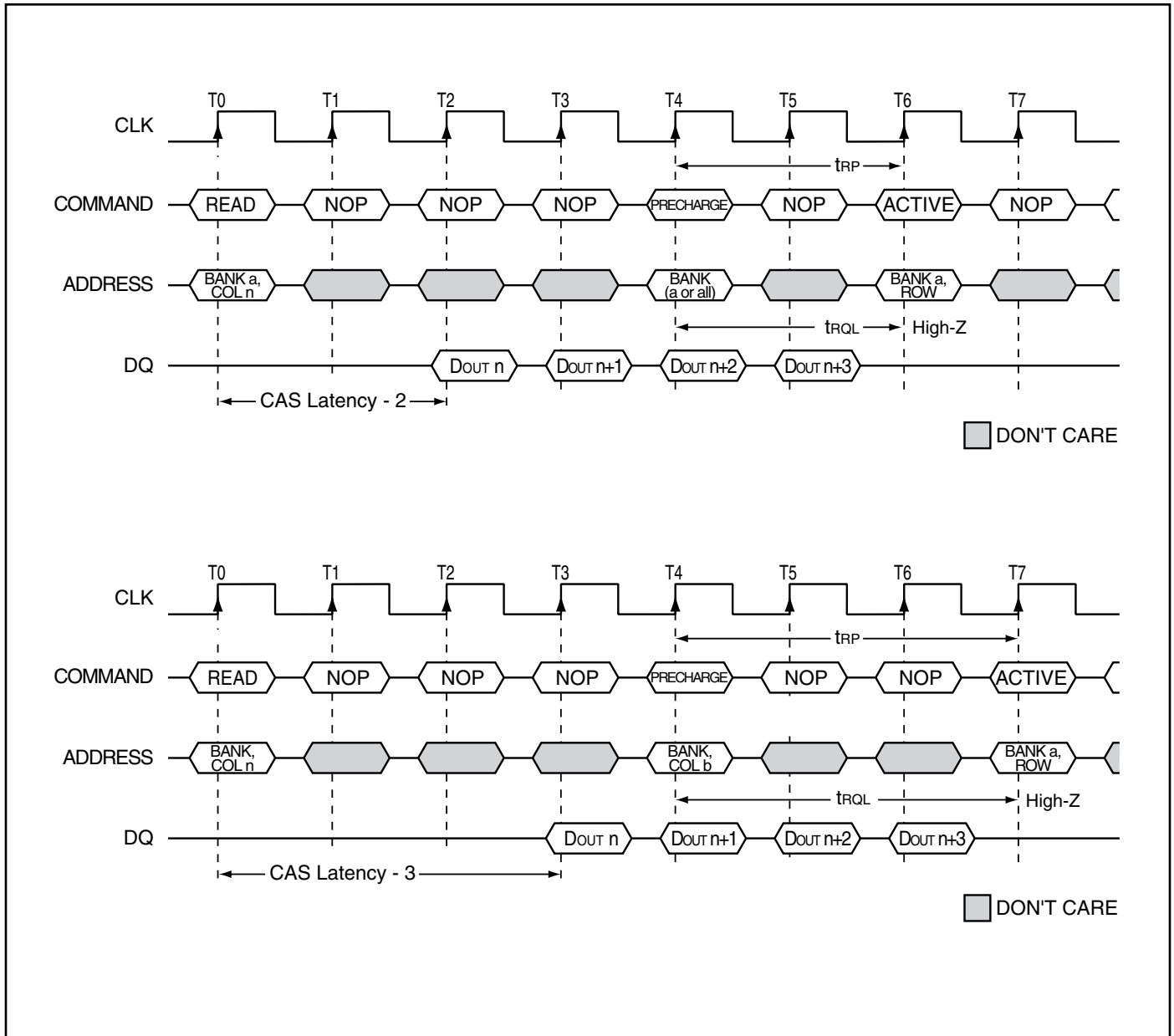
READ - DQM OPERATION



Notes:

- 1) CAS latency = 2, Burst Length = 4
- 2) x8: A12 = "Don't Care"
- x16: A11, A12 = "Don't Care"

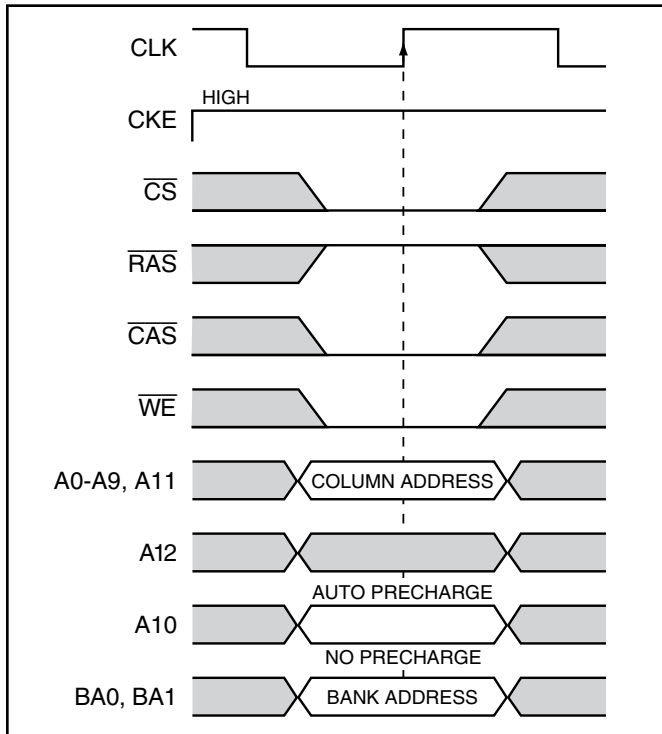
READ to PRECHARGE



WRITES

WRITE bursts are initiated with a WRITE command, as shown in WRITE Command diagram.

WRITE COMMAND



Note:
x16: A11 is "Don't Care"

The starting column and bank addresses are provided with the WRITE command, and auto precharge is either enabled or disabled for that access. If auto precharge is enabled, the row being accessed is precharged at the completion of the burst. For the generic WRITE commands used in the following illustrations, auto precharge is disabled.

During WRITE bursts, the first valid data-in element will be registered coincident with the WRITE command. Subsequent data elements will be registered on each successive positive clock edge. Upon completion of a fixed-length burst, assuming no other commands have been initiated, the DQs will remain High-Z and any additional input data will be ignored (see WRITE Burst). A full-page burst will continue until terminated. (At the end of the page, it will wrap to column 0 and continue.)

Data for any WRITE burst may be truncated with a subsequent WRITE command, and data for a fixed-length WRITE burst may be immediately followed by data for a WRITE command. The new WRITE command can be issued on any clock following the previous WRITE command, and the data provided coincident with the new command applies to the new command.

An example is shown in WRITE to WRITE diagram. Data $n + 1$ is either the last of a burst of two or the last desired of a longer burst. The 512Mb SDRAM uses a pipelined architecture and therefore does not require the $2n$ rule associated with a prefetch architecture. A WRITE command can be initiated on any clock cycle following a previous WRITE command. Full-speed random write accesses within a page can be performed to the same bank, as shown in Random WRITE Cycles, or each subsequent WRITE may be performed to a different bank.

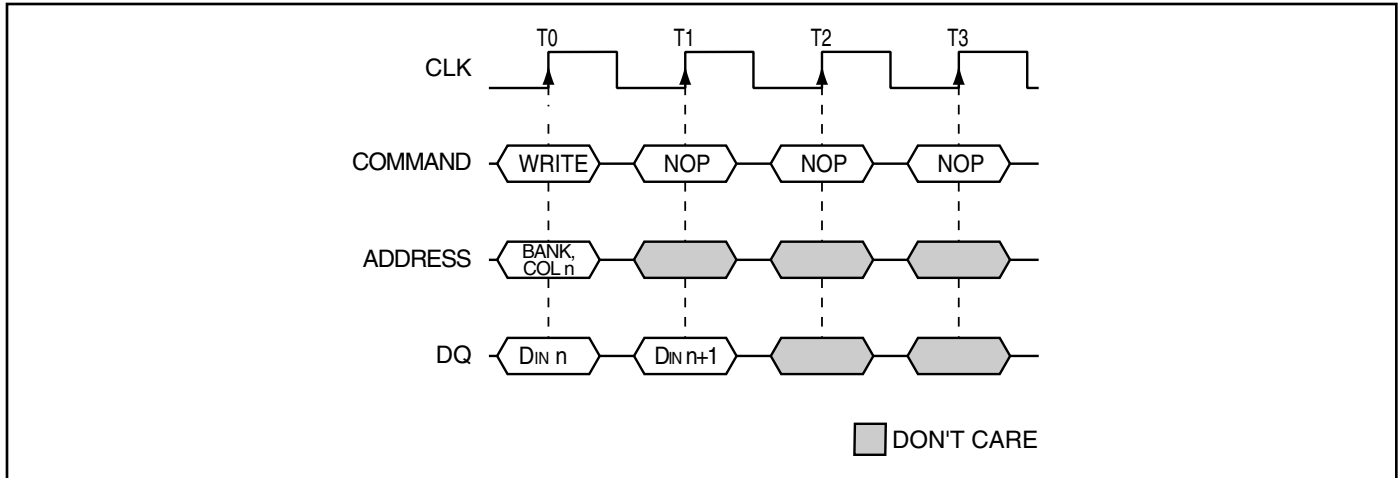
Data for any WRITE burst may be truncated with a subsequent READ command, and data for a fixed-length WRITE burst may be immediately followed by a subsequent READ command. Once the READ command is registered, the data inputs will be ignored, and WRITES will not be executed. An example is shown in WRITE to READ. Data $n + 1$ is either the last of a burst of two or the last desired of a longer burst.

Data for a fixed-length WRITE burst may be followed by, or truncated with, a PRECHARGE command to the same bank (provided that auto precharge was not activated), and a full-page WRITE burst may be truncated with a PRECHARGE command to the same bank. The PRECHARGE command should be issued t_{DPL} after the clock edge at which the last desired input data element is registered. The auto precharge mode requires a t_{DPL} of at least one clock plus time, regardless of frequency. In addition, when truncating a WRITE burst, the DQM signal must be used to mask input data for the clock edge prior to, and the clock edge coincident with, the PRECHARGE command. An example is shown in the WRITE to PRECHARGE diagram. Data $n+1$ is either the last of a burst of two or the last desired of a longer burst. Following the PRECHARGE command, a subsequent command to the same bank cannot be issued until t_{RP} is met.

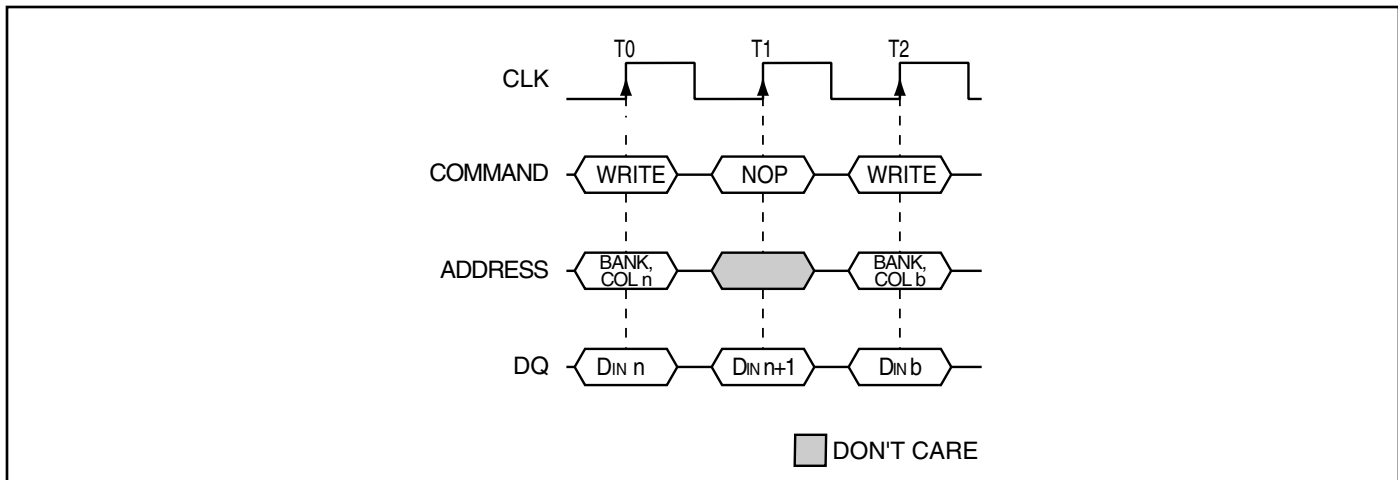
In the case of a fixed-length burst being executed to completion, a PRECHARGE command issued at the optimum time (as described above) provides the same operation that would result from the same fixed-length burst with auto precharge. The disadvantage of the PRECHARGE command is that it requires that the command and address buses be available at the appropriate time to issue the command; the advantage of the PRECHARGE command is that it can be used to truncate fixed-length or full-page bursts.

Fixed-length or full-page WRITE bursts can be truncated with the BURST TERMINATE command. When truncating a WRITE burst, the input data applied coincident with the BURST TERMINATE command will be ignored. The last data written (provided that DQM is LOW at that time) will be the input data applied one clock previous to the BURST TERMINATE command. This is shown in WRITE Burst Termination, where data n is the last desired data element of a longer burst.

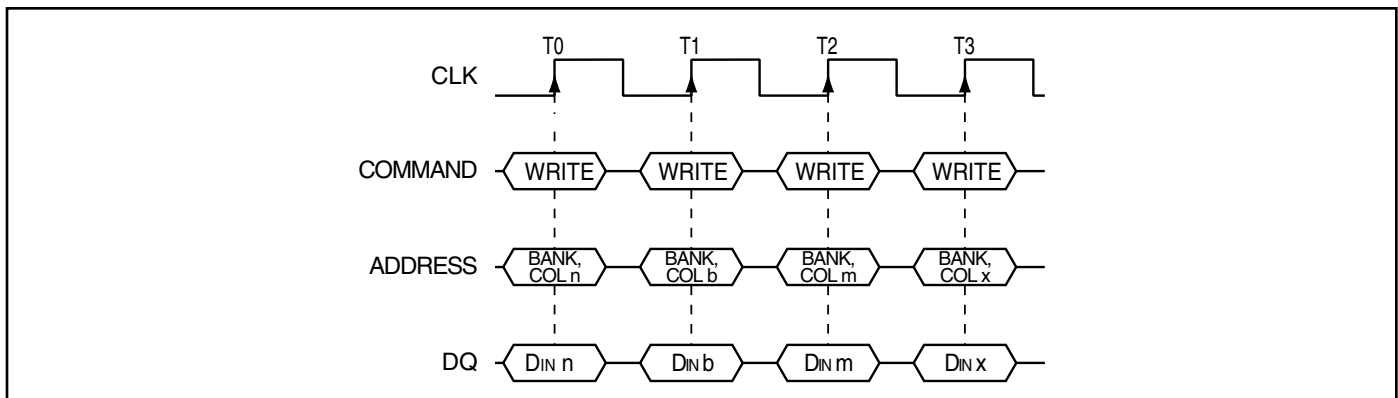
WRITE BURST



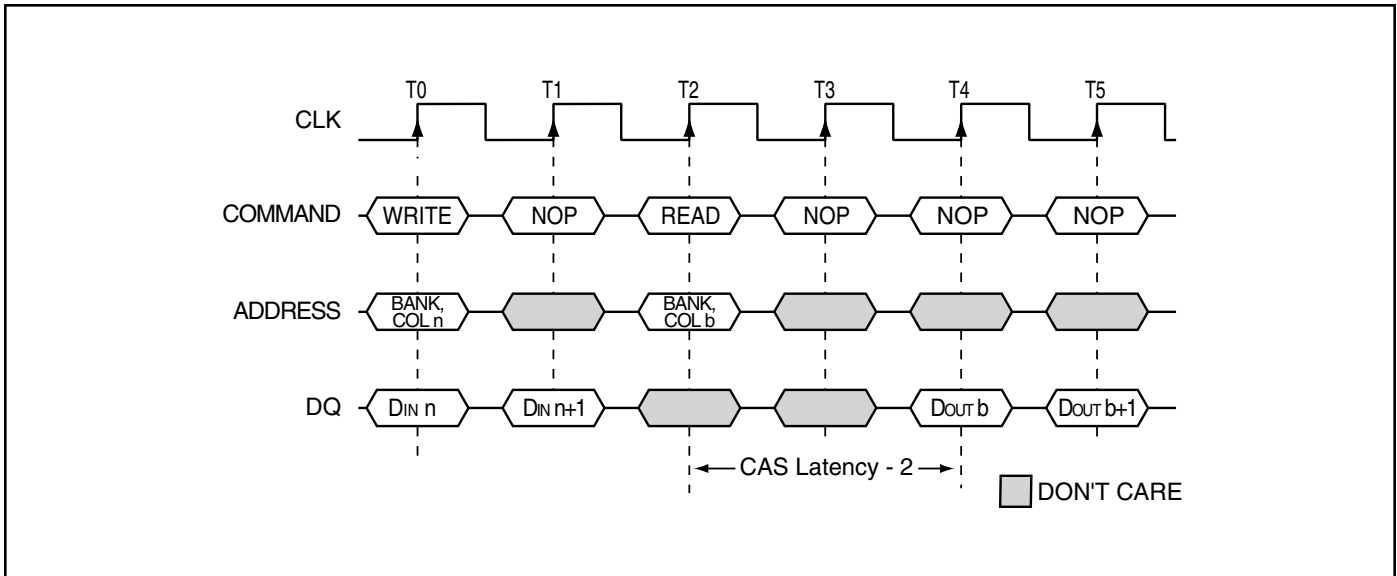
WRITE TO WRITE



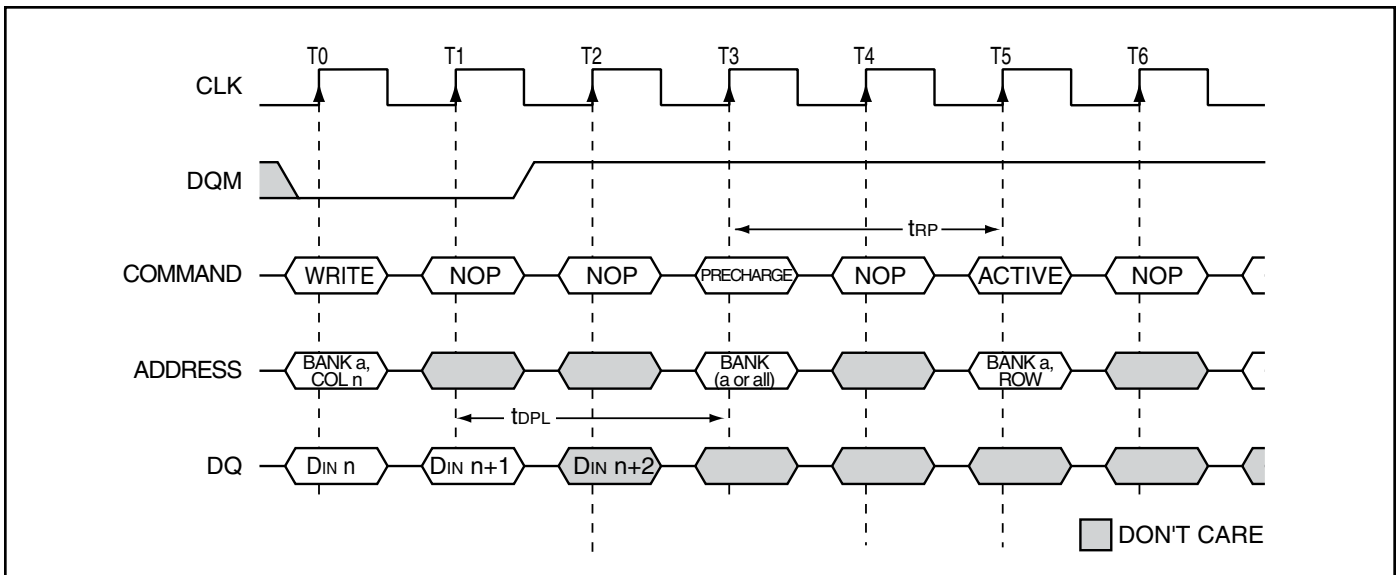
RANDOM WRITE CYCLES



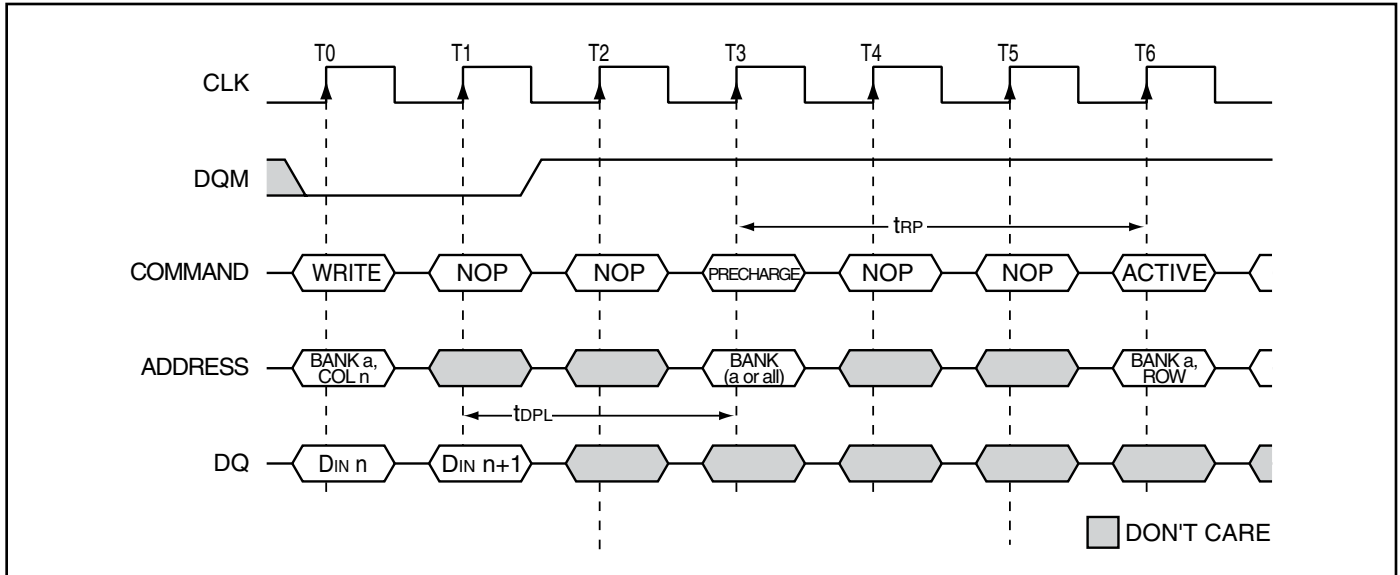
WRITE to READ



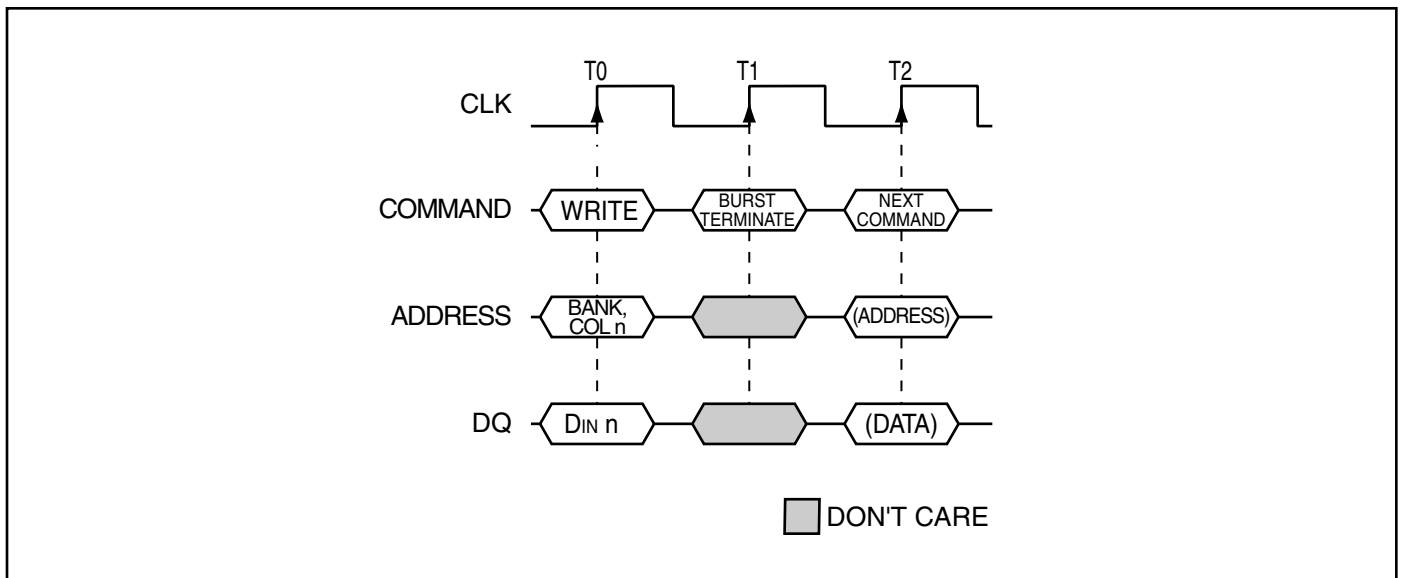
WP1 - WRITE to PRECHARGE



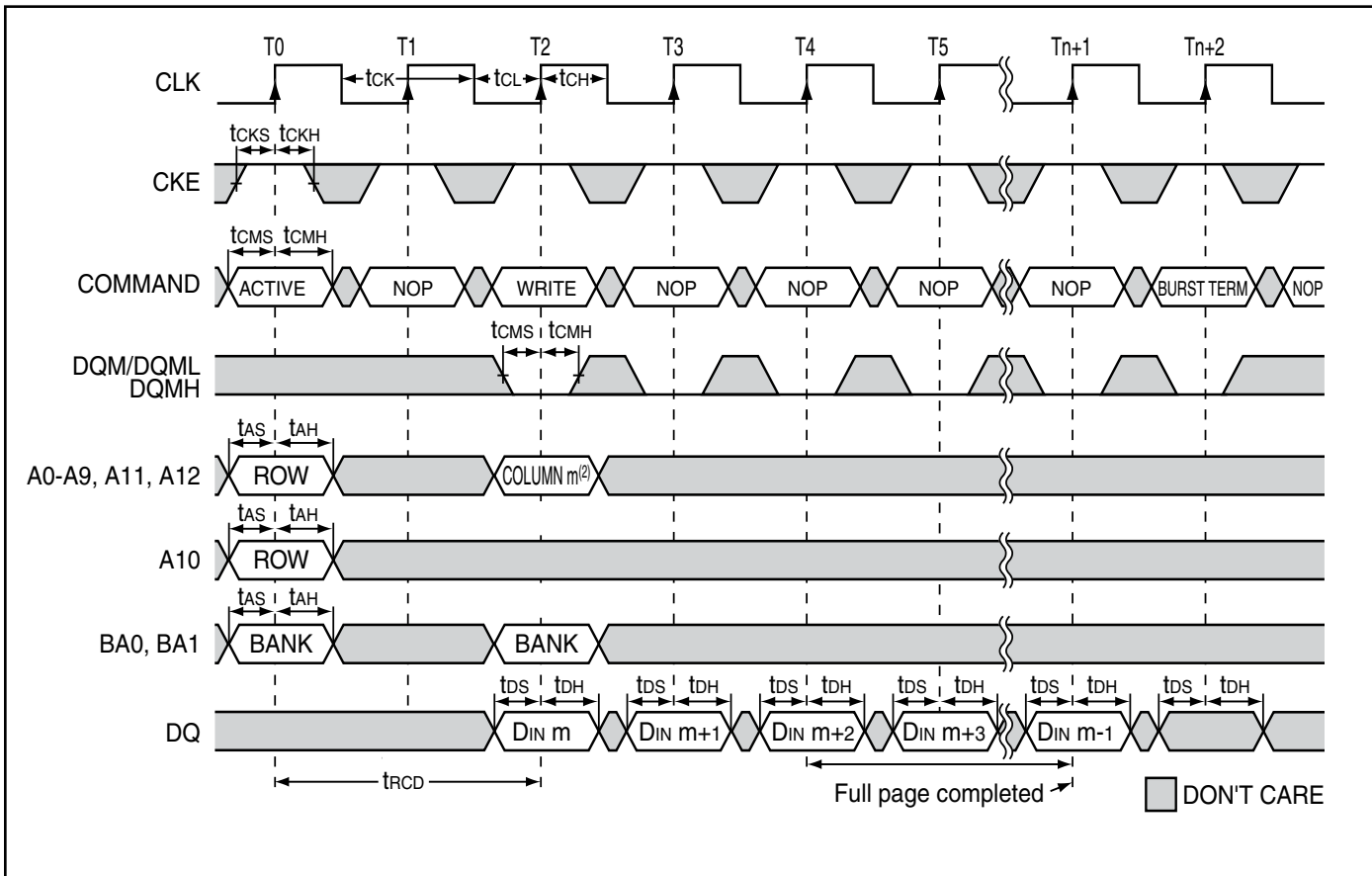
WP2 - WRITE to PRECHARGE



WRITE Burst Termination



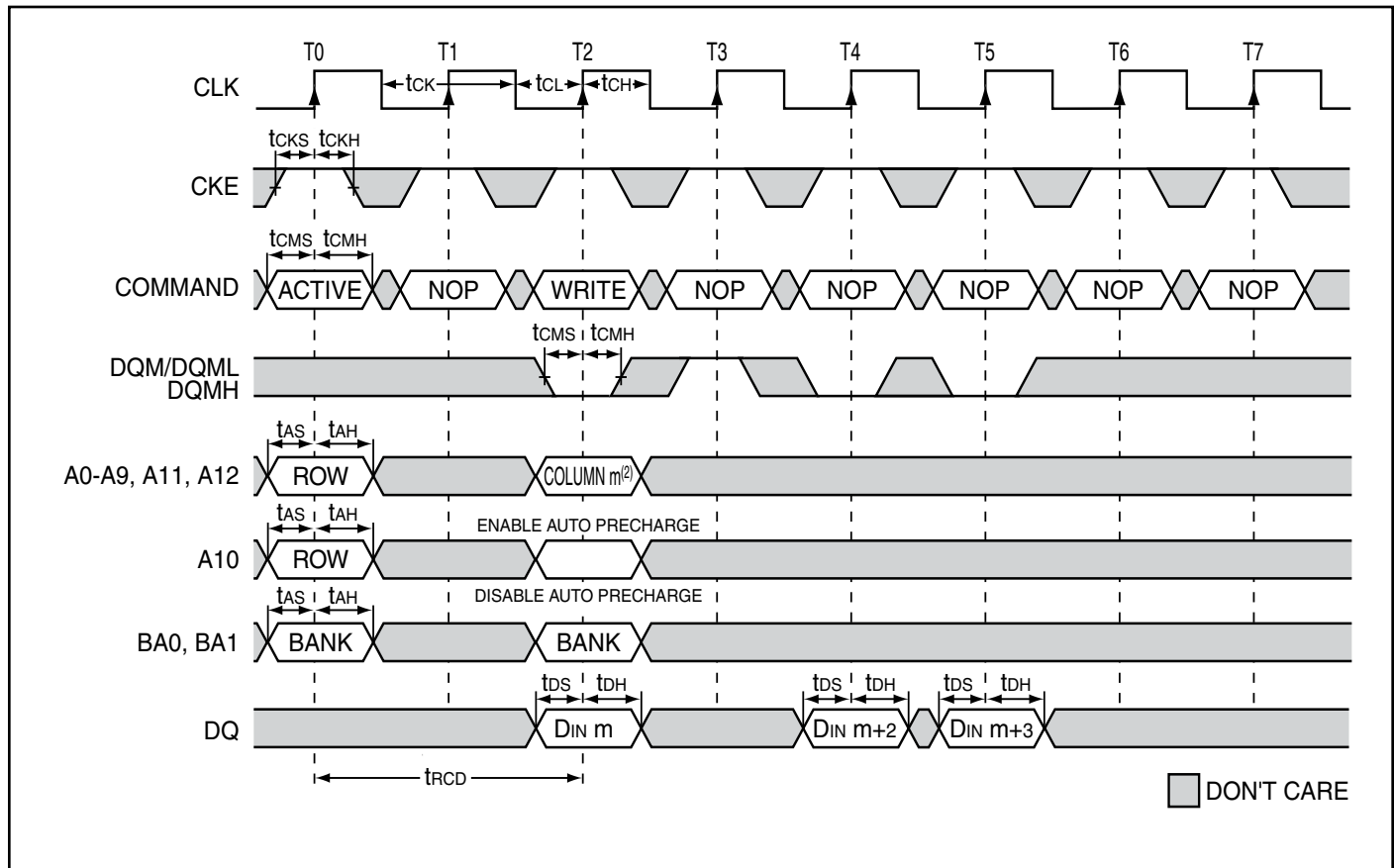
WRITE - FULL PAGE BURST



Notes:

- 1) Burst Length = Full Page
- 2) x8: A12 = "Don't Care"
x16: A11, A12 = "Don't Care"

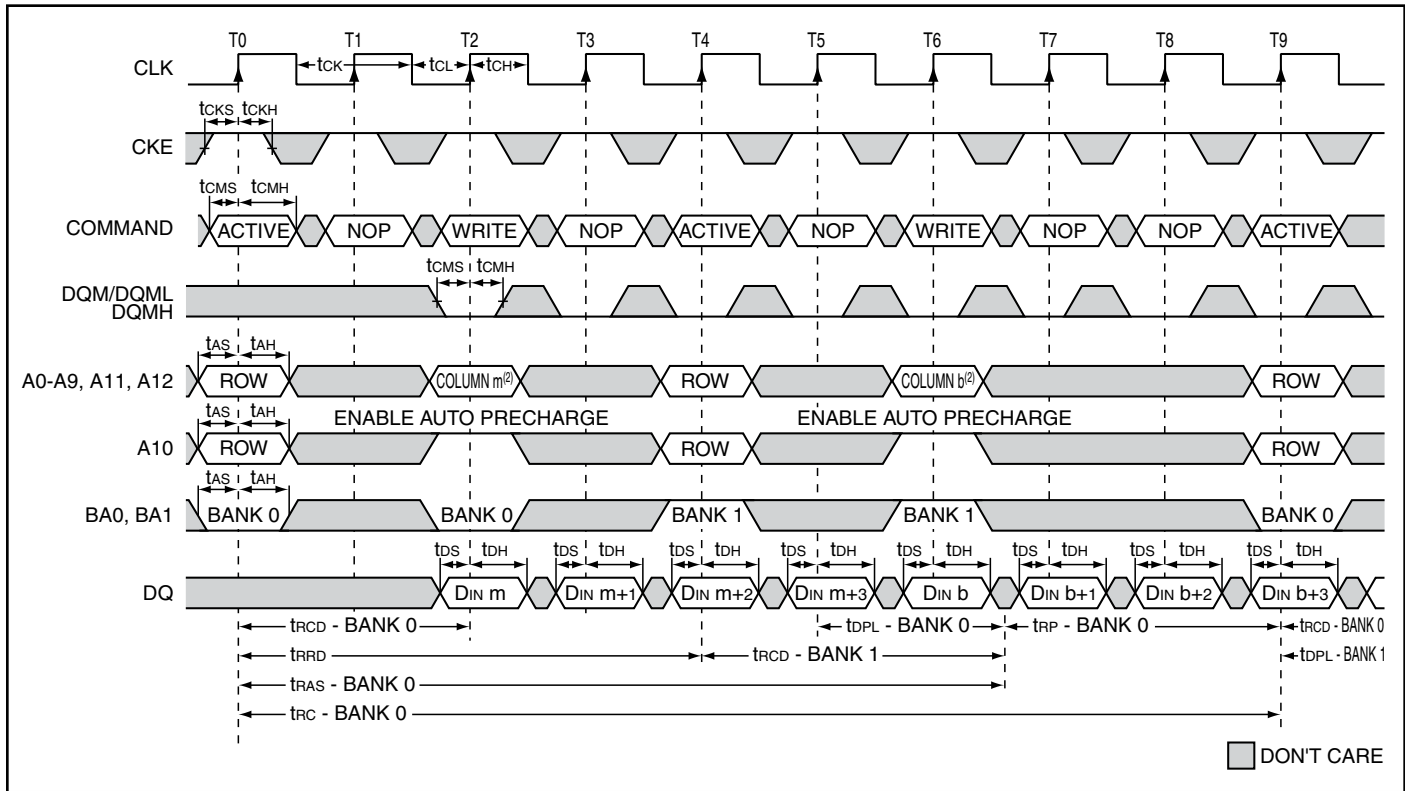
WRITE - DQM OPERATION



Notes:

- 1) Burst Length = 4
- 2) x8: A12 = "Don't Care"
x16: A11, A12 = "Don't Care"

ALTERNATING BANK WRITE ACCESSES



Notes:

- 1) Burst Length = 4
- 2) x8: A12 = "Don't Care"
- x16: A11, A12 = "Don't Care"

CLOCK SUSPEND

Clock suspend mode occurs when a column access/burst is in progress and CKE is registered LOW. In the clock suspend mode, the internal clock is deactivated, “freezing” the synchronous logic.

For each positive clock edge on which CKE is sampled LOW, the next internal positive clock edge is suspended. Any command or data present on the input pins at the time

of a suspended internal clock edge is ignored; any data present on the DQ pins remains driven; and burst counters are not incremented, as long as the clock is suspended. (See following examples.)

Clock suspend mode is exited by registering CKE HIGH; the internal clock and related operation will resume on the subsequent positive clock edge.

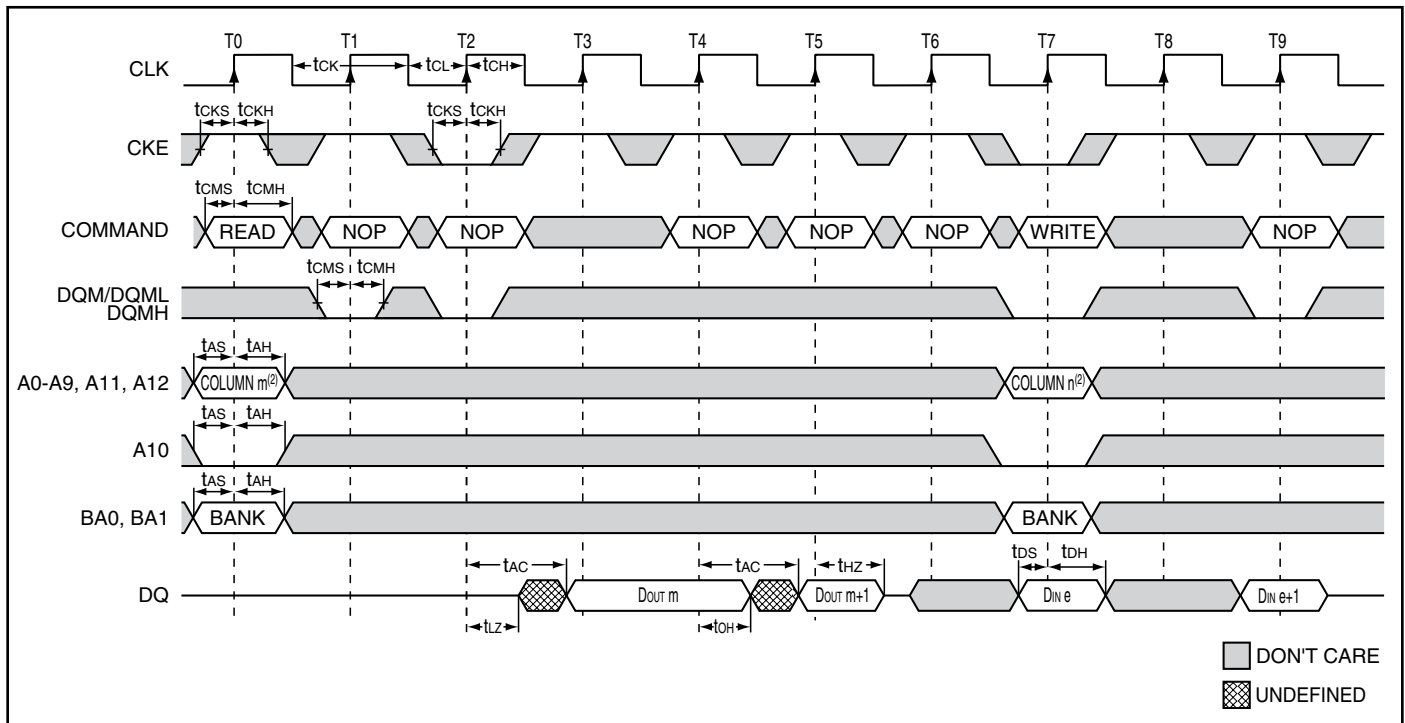
Clock Suspend During WRITE Burst



Clock Suspend During READ Burst



CLOCK SUSPEND MODE



Notes:

- 1) CAS latency = 3, Burst Length = 2, Auto Precharge is disabled.
- 2) x8: A12 = "Don't Care"
x16: A11, A12 = "Don't Care"

PRECHARGE

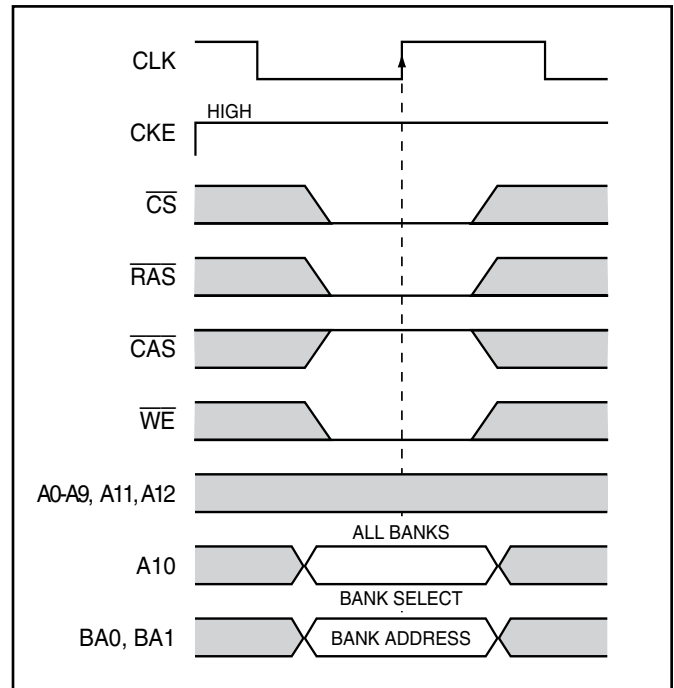
The PRECHARGE command (see figure) is used to deactivate the open row in a particular bank or the open row in all banks. The bank(s) will be available for a subsequent row access some specified time (t_{RP}) after the PRECHARGE command is issued. Input A10 determines whether one or all banks are to be precharged, and in the case where only one bank is to be precharged, inputs BA0, BA1 select the bank. When all banks are to be precharged, inputs BA0, BA1 are treated as “Don’t Care.” Once a bank has been precharged, it is in the idle state and must be activated prior to any READ or WRITE commands being issued to that bank.

POWER-DOWN

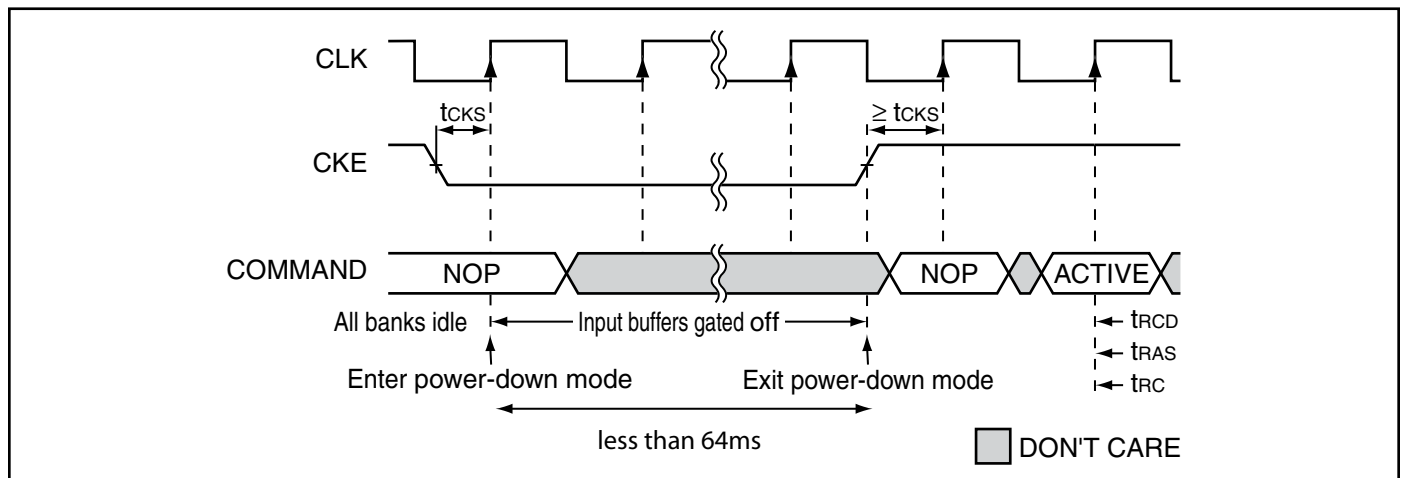
Power-down occurs if CKE is registered LOW coincident with a NOP or COMMAND INHIBIT when no accesses are in progress. If power-down occurs when all banks are idle, this mode is referred to as precharge power-down; if power-down occurs when there is a row active in either bank, this mode is referred to as active power-down. Entering power-down deactivates the input and output buffers, excluding CKE, for maximum power savings while in standby. The device may not remain in the power-down state longer than the refresh period (T_{REF}) since no refresh operations are performed in this mode.

The power-down state is exited by registering a NOP or COMMAND INHIBIT and CKE HIGH at the desired clock edge (meeting t_{CKS}). See figure "Power-Down".

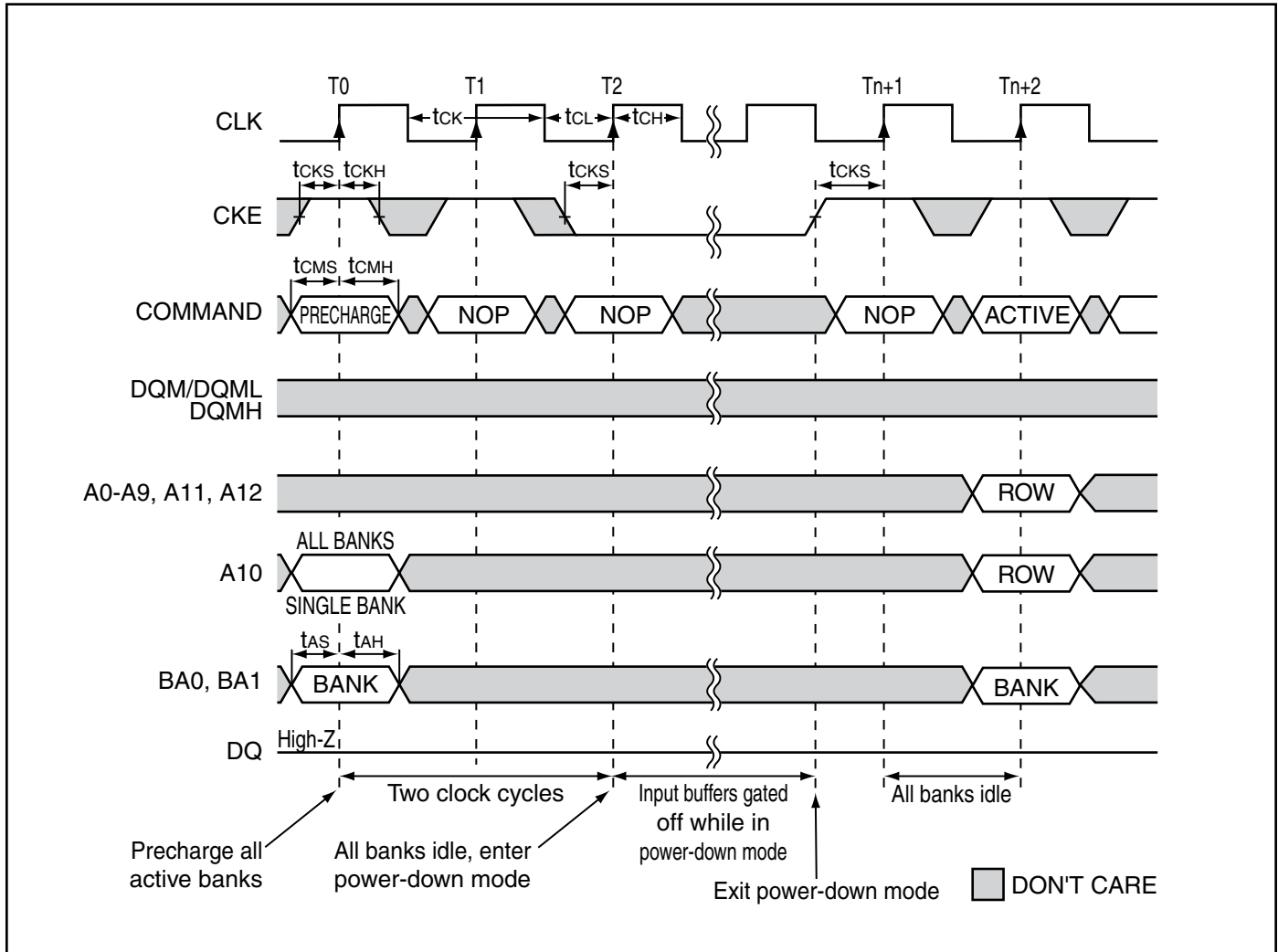
PRECHARGE Command



POWER-DOWN



POWER-DOWN MODE CYCLE



BURST READ/SINGLE WRITE

The burst read/single write mode is entered by programming the write burst mode bit (M9) in the mode register to a logic 1. In this mode, all WRITE commands result in the access of a single column location (burst of one), regardless of the programmed burst length. READ commands access columns according to the programmed burst length and sequence, just as in the normal mode of operation (M9 = 0).

CONCURRENT AUTO PRECHARGE

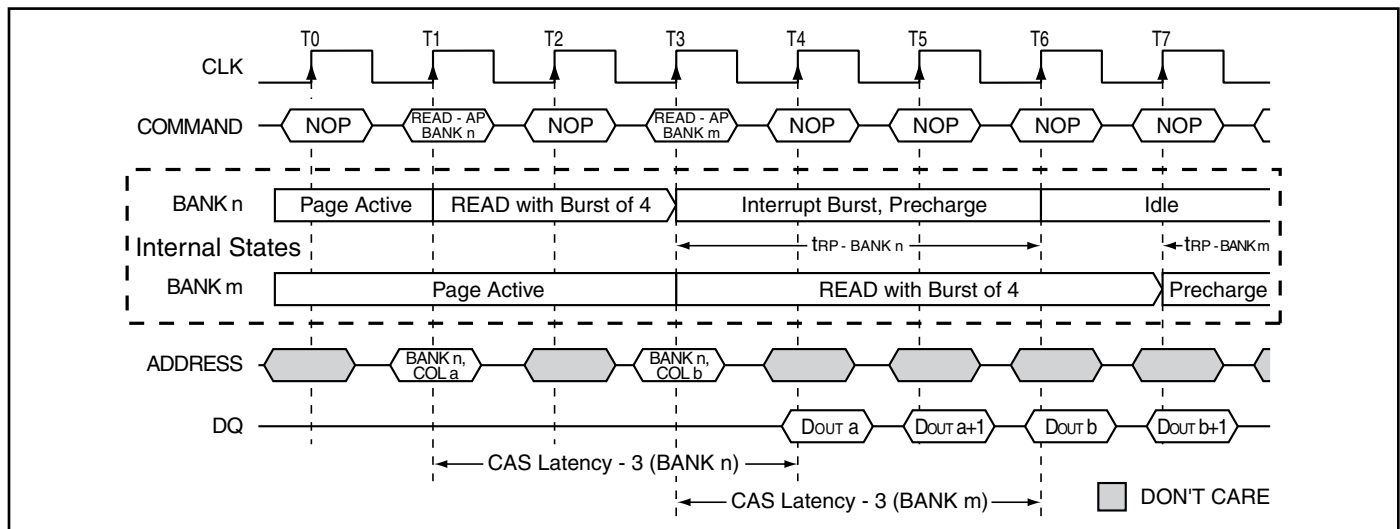
An access command (READ or WRITE) to another bank while an access command with auto precharge enabled is executing is not allowed by SDRAMs, unless the SDRAM supports CONCURRENT AUTO PRECHARGE. *ISSI*

SDRAMs support CONCURRENT AUTO PRECHARGE. Four cases where CONCURRENT AUTO PRECHARGE occurs are defined below.

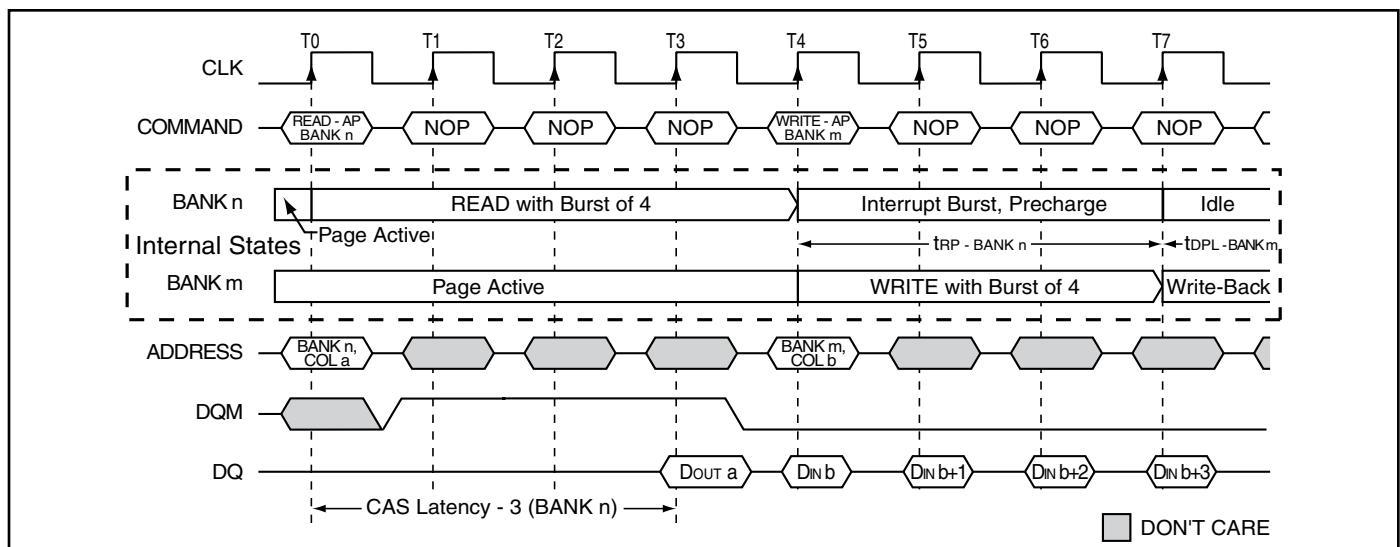
READ with Auto Precharge

1. Interrupted by a READ (with or without auto precharge): A READ to bank m will interrupt a READ on bank n, CAS latency later. The PRECHARGE to bank n will begin when the READ to bank m is registered.
2. Interrupted by a WRITE (with or without auto precharge): A WRITE to bank m will interrupt a READ on bank n when registered. DQM should be used three clocks prior to the WRITE command to prevent bus contention. The PRECHARGE to bank n will begin when the WRITE to bank m is registered.

READ With Auto Precharge interrupted by a READ



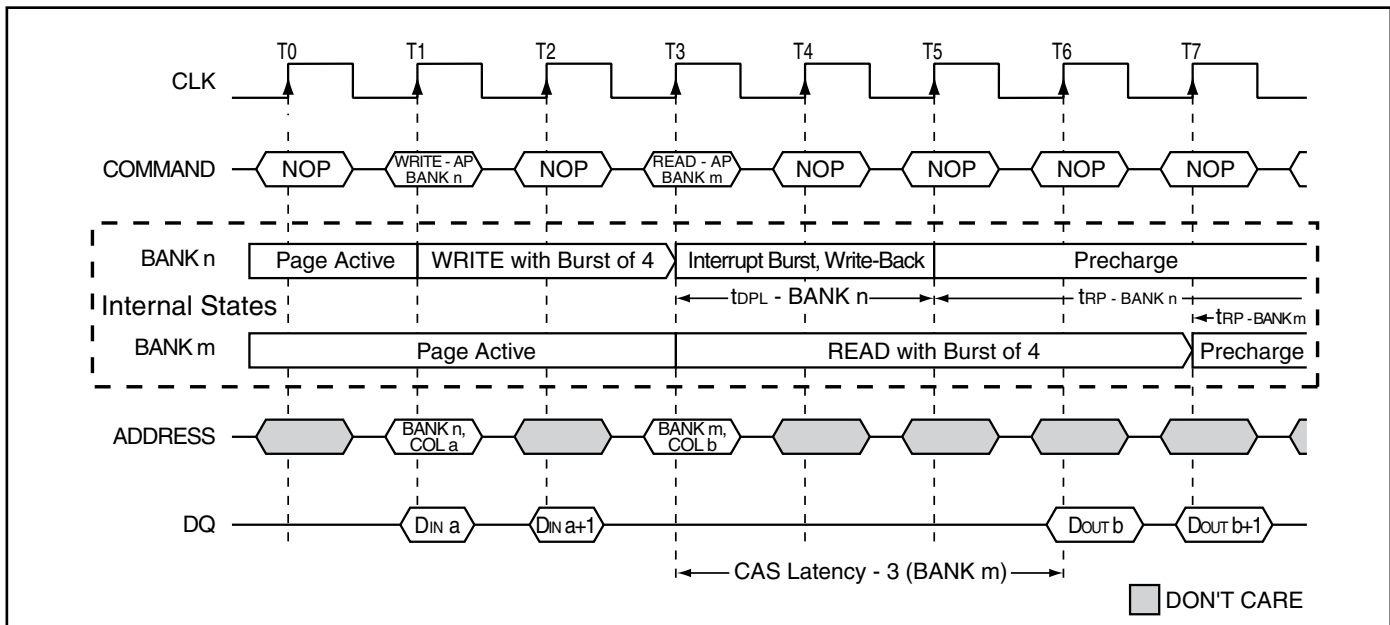
READ With Auto Precharge interrupted by a WRITE



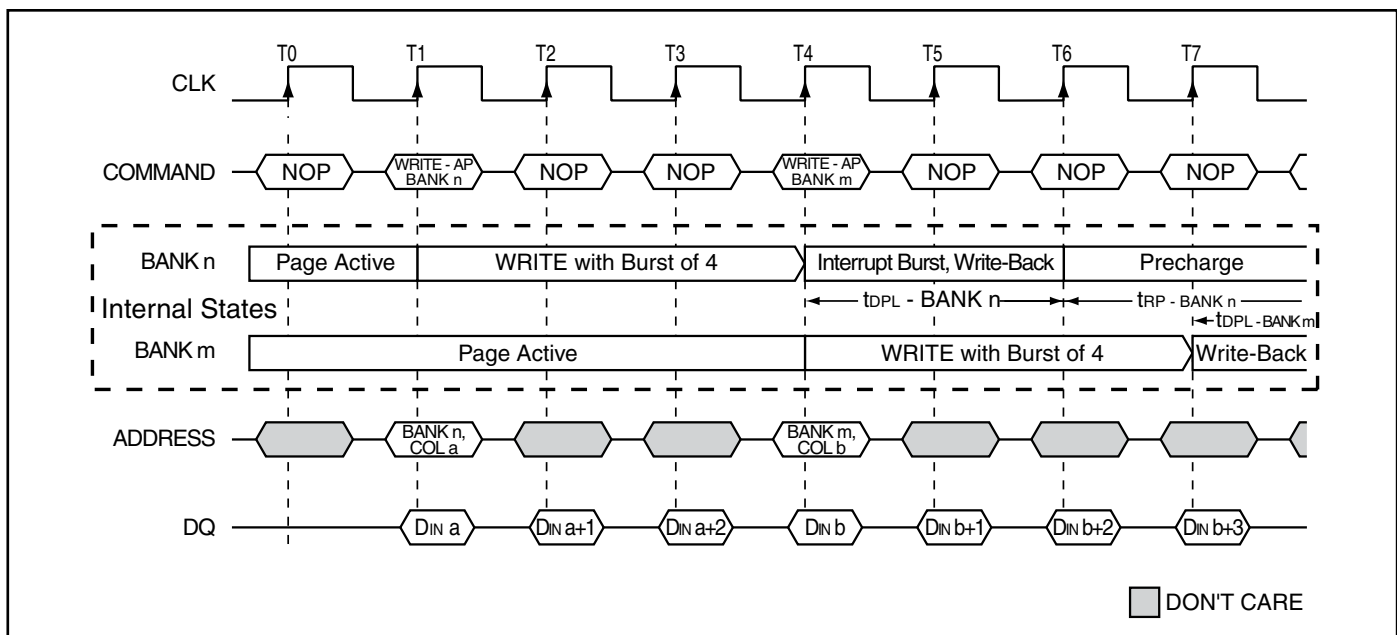
WRITE with Auto Precharge

- Interrupted by a READ (with or without auto precharge):
A READ to bank m will interrupt a WRITE on bank n when registered, with the data-out appearing (CAS latency) later. The PRECHARGE to bank n will begin after t_{DPL} is met, where t_{DPL} begins when the READ to bank m is registered. The last valid WRITE to bank n will be data-in registered one clock prior to the READ to bank m.
- Interrupted by a WRITE (with or without auto precharge):
A WRITE to bank m will interrupt a WRITE on bank n when registered. The PRECHARGE to bank n will begin after t_{DPL} is met, where t_{DPL} begins when the WRITE to bank m is registered. The last valid data WRITE to bank n will be data registered one clock prior to a WRITE to bank m.

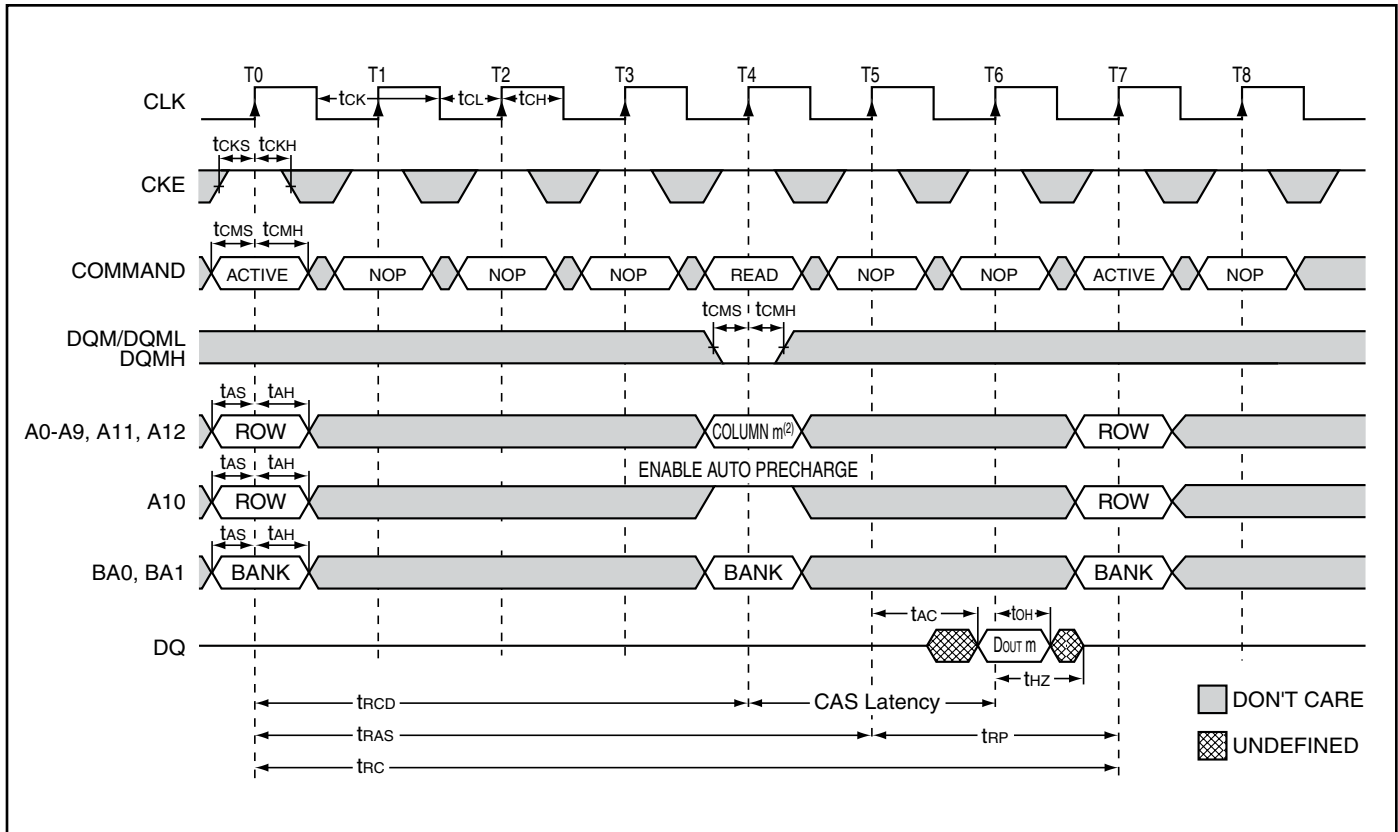
WRITE With Auto Precharge interrupted by a READ



WRITE With Auto Precharge interrupted by a WRITE



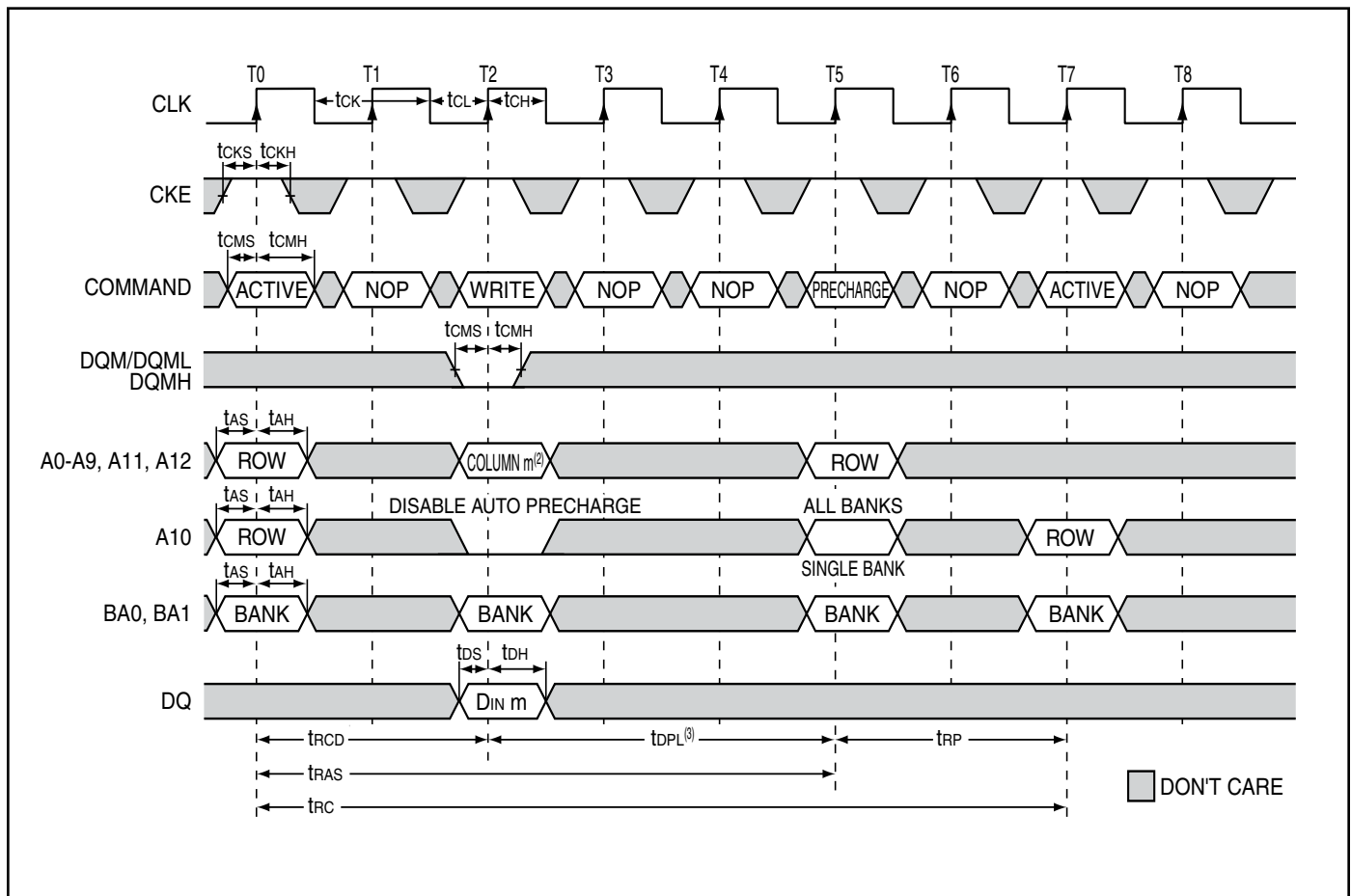
SINGLE READ WITH AUTO PRECHARGE



Notes:

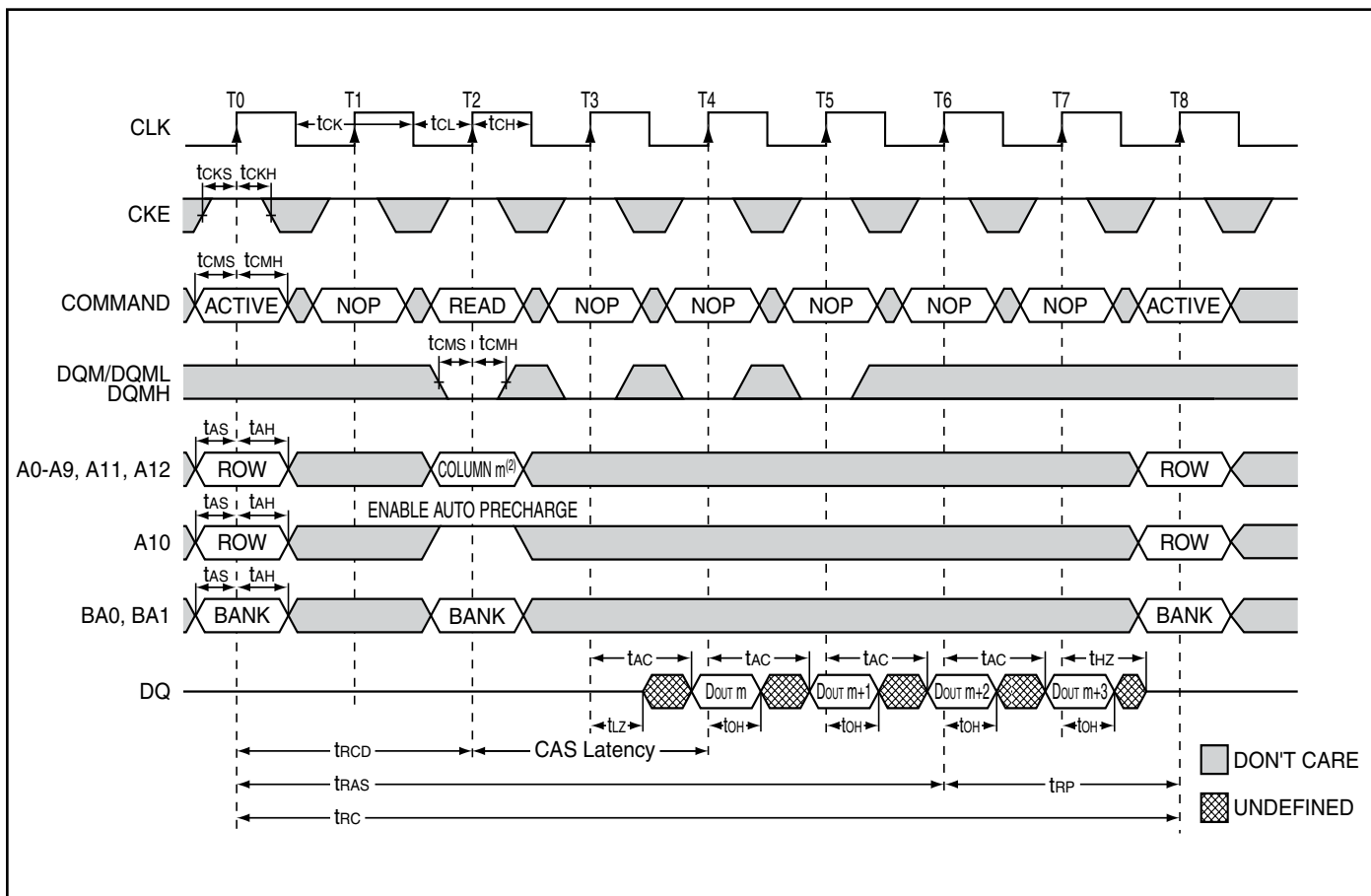
- 1) $\overline{\text{CAS}}$ latency = 2, Burst Length = 1
- 2) x8: A12 = "Don't Care"
- x16: A11, A12 = "Don't Care"

SINGLE READ WITHOUT AUTO PRECHARGE



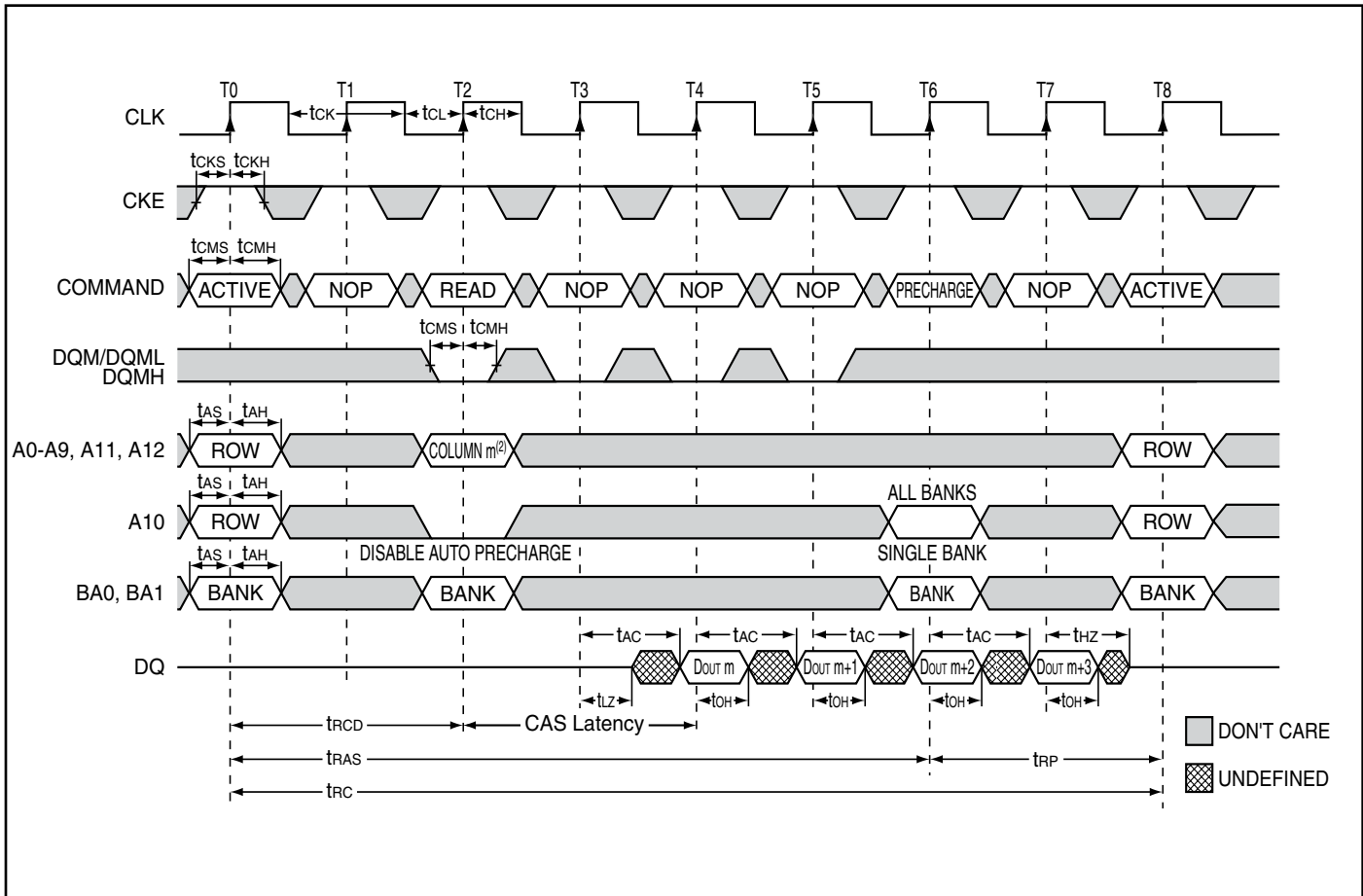
Notes:

- 1) $\overline{\text{CAS}}$ latency = 2, Burst Length = 1
- 2) x8: A12 = "Don't Care"
- x16: A11, A12 = "Don't Care"

READ WITH AUTO PRECHARGE

Notes:

- 1) $\overline{\text{CAS}}$ latency = 2, Burst Length = 4
- 2) x8: A12 = "Don't Care"
x16: A11, A12 = "Don't Care"

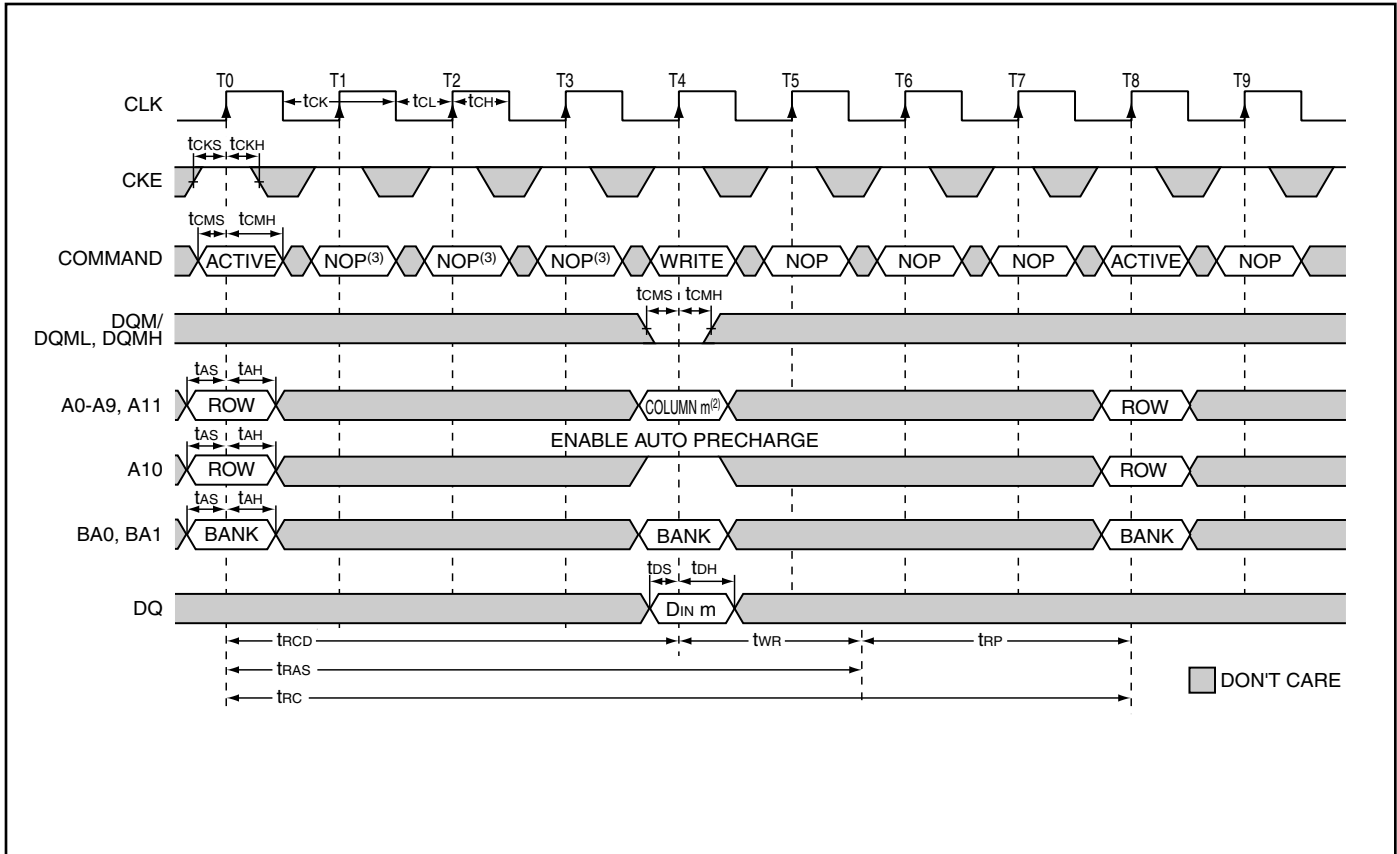
READ WITHOUT AUTO PRECHARGE



Notes:

- 1) CAS latency = 2, Burst Length = 4
- 2) x8: A12 = "Don't Care"
- x16: A11, A12 = "Don't Care"

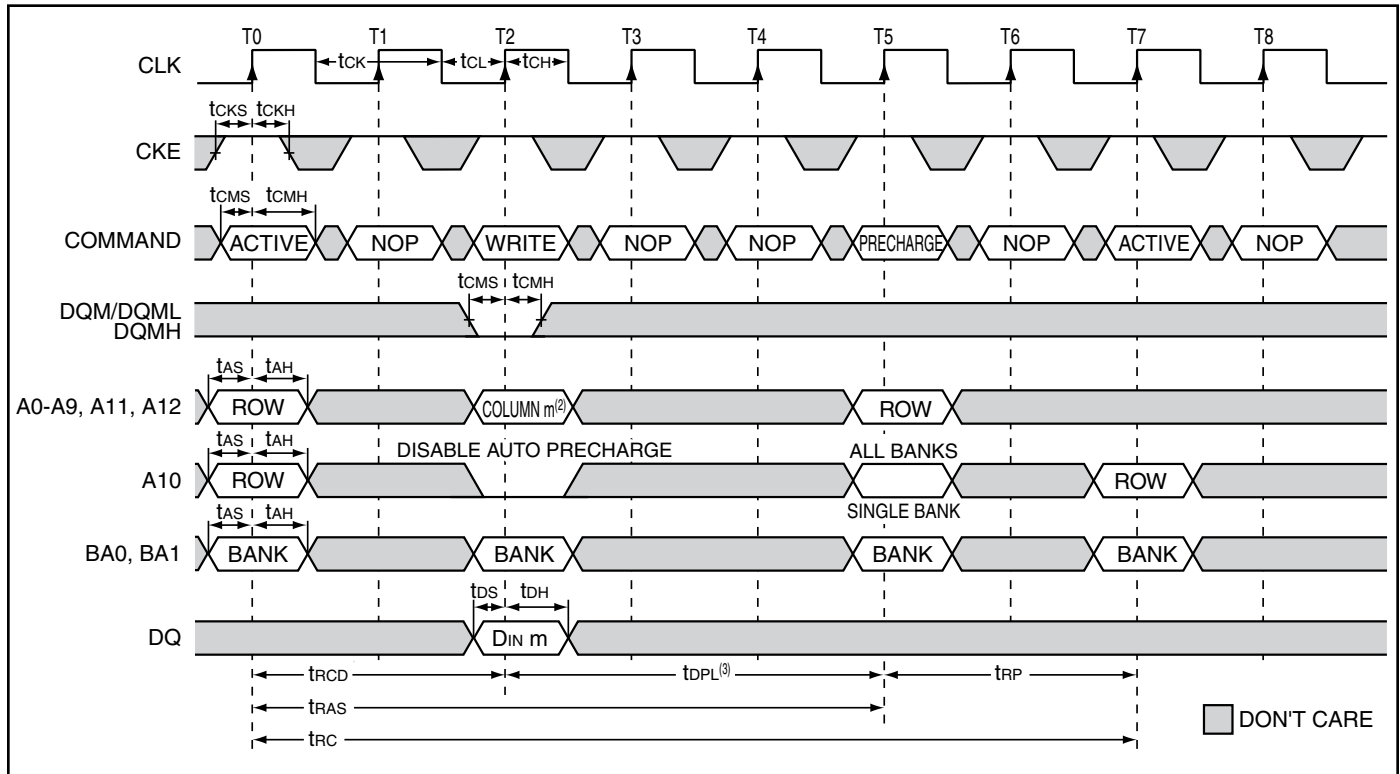
SINGLE WRITE WITH AUTO PRECHARGE



Notes:

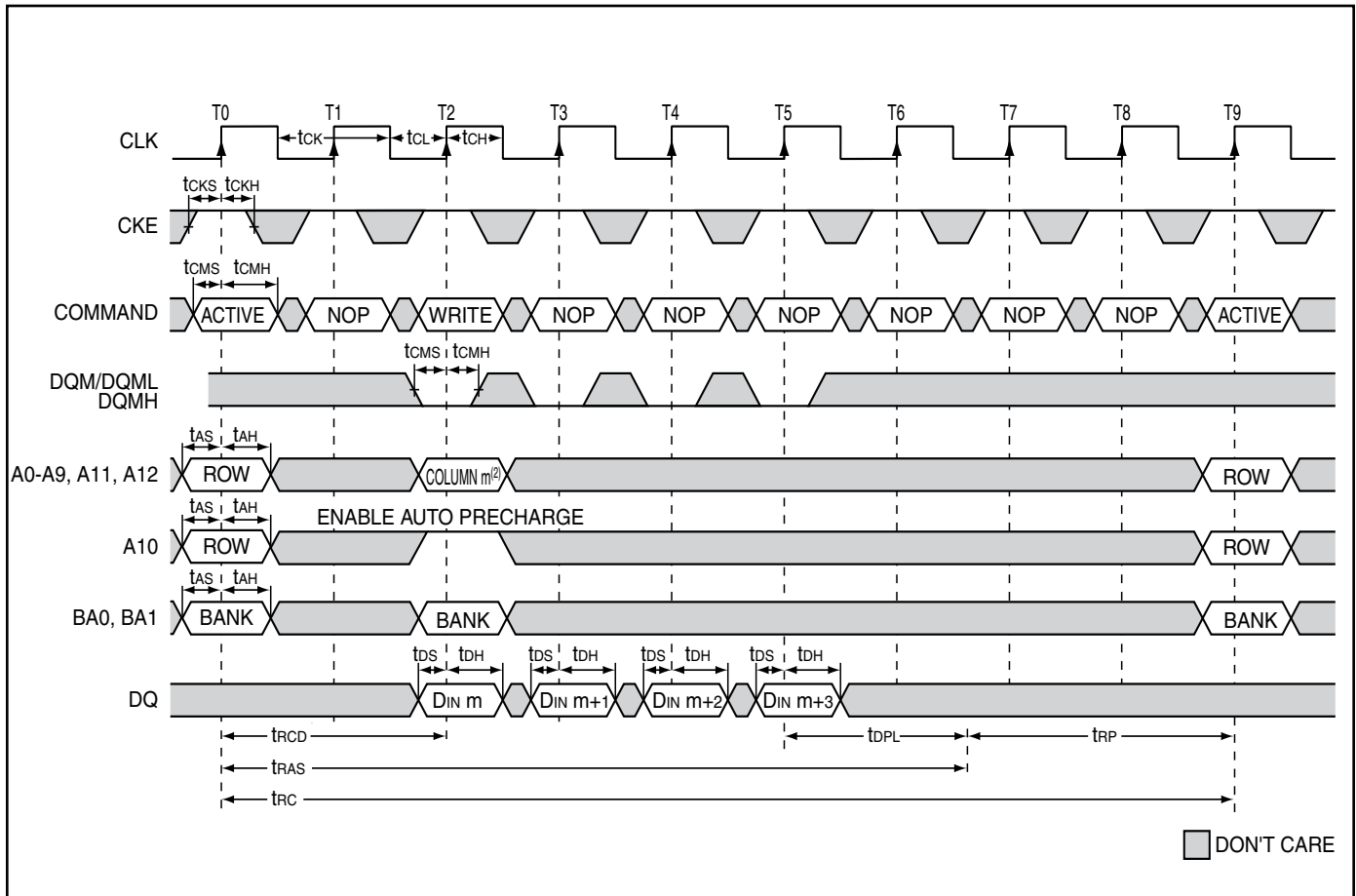
- 1) Burst Length = 1
- 2) x8: A12 = "Don't Care"
- x16: A11, A12 = "Don't Care"

SINGLE WRITE - WITHOUT AUTO PRECHARGE



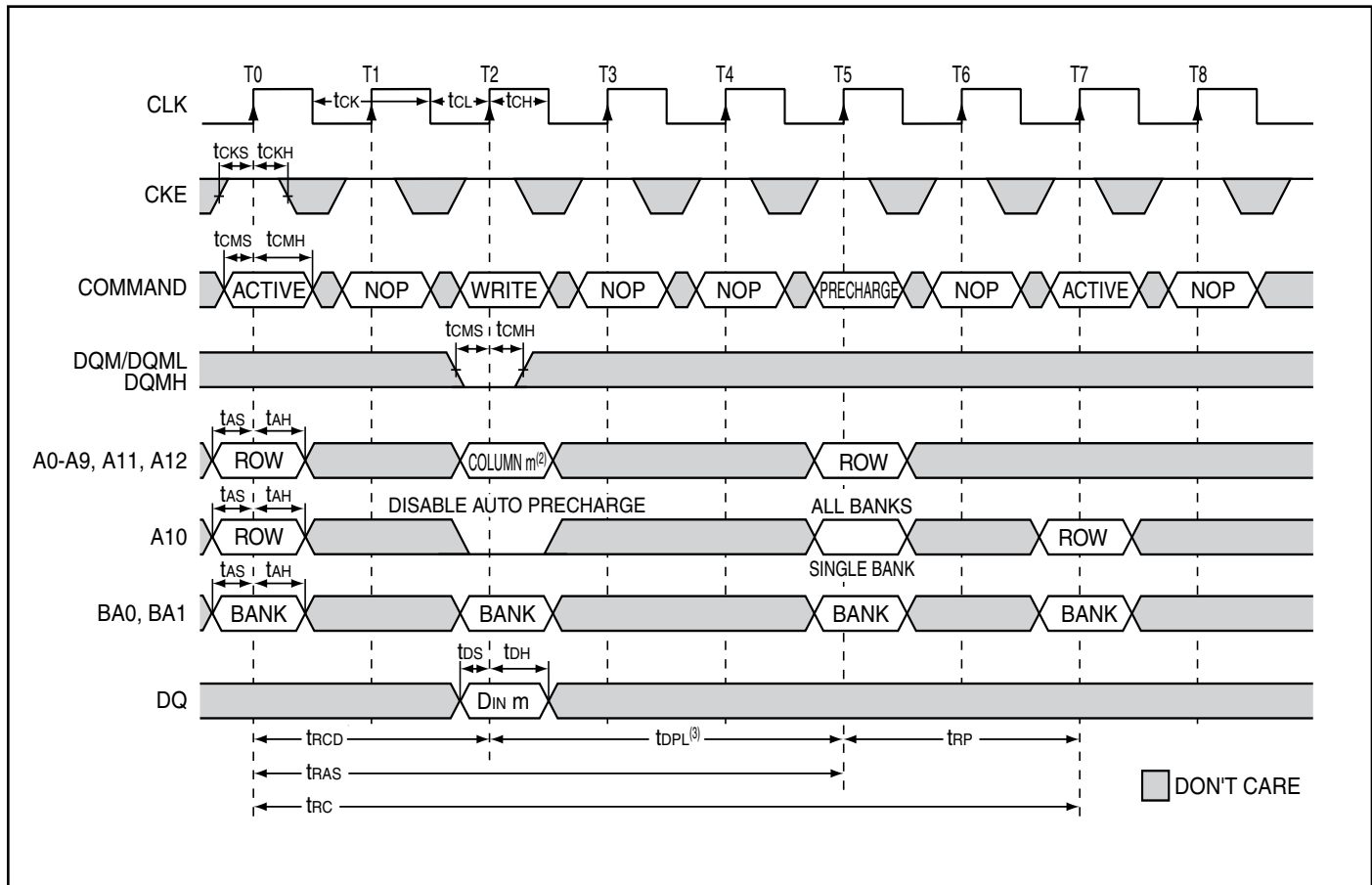
Notes:

- 1) Burst Length = 1
- 2) x8: A12 = "Don't Care"
x16: A11, A12 = "Don't Care"
- 3) trAS must not be violated.

WRITE - WITH AUTO PRECHARGE

Notes:

- 1) Burst Length = 4
- 2) x8: A12 = "Don't Care"
x16: A11, A12 = "Don't Care"

WRITE - WITHOUT AUTO PRECHARGE



Notes:

- 1) Burst Length = 4
- 2) x8: A12 = "Don't Care"
x16: A11, A12 = "Don't Care"
- 3) t_{RAS} must not be violated.

IS42/45R86400F/16320F IS42/45S86400F/16320F

ORDERING INFORMATION - $V_{DD} = 2.5V$ for x16

Commercial Range: 0°C to +70°C

| Frequency | Speed (ns) | Order Part No. | Package |
|-----------|------------|-----------------|--------------------------|
| 167 MHz | 6 | IS42R16320F-6TL | 54-pin TSOPII, Lead-free |
| | | IS42R16320F-6BL | 54-ball BGA, Lead-free |
| 143 MHz | 7 | IS42R16320F-7TL | 54-pin TSOPII, Lead-free |
| | | IS42R16320F-7BL | 54-ball BGA, Lead-free |

Industrial Range: -40°C to +85°C

| Frequency | Speed (ns) | Order Part No. | Package |
|-----------|------------|------------------|--------------------------|
| 143 MHz | 7 | IS42R16320F-7TLI | 54-pin TSOPII, Lead-free |
| | | IS42R16320F-7BLI | 54-ball BGA, Lead-free |

Note: For 2.5V product support, please contact ISSI.



IS42/45R86400F/16320F IS42/45S86400F/16320F

ORDERING INFORMATION - $V_{DD} = 3.3V$ for x8

Commercial Range: 0°C to +70°C

| Frequency | Speed (ns) | Order Part No. | Package |
|-----------|------------|-----------------|--------------------------|
| 167 MHz | 6 | IS42S86400F-6TL | 54-pin TSOPII, Lead-free |
| 143 MHz | 7 | IS42S86400F-7TL | 54-pin TSOPII, Lead-free |

Industrial Range: -40°C to +85°C

| Frequency | Speed (ns) | Order Part No. | Package |
|-----------|------------|------------------|--------------------------|
| 167 MHz | 6 | IS42S86400F-6TLI | 54-pin TSOPII, Lead-free |
| 143 MHz | 7 | IS42S86400F-7TLI | 54-pin TSOPII, Lead-free |

ORDERING INFORMATION - $V_{DD} = 3.3V$ for x16

Commercial Range: 0°C to +70°C

| Frequency | Speed (ns) | Order Part No. | Package |
|-----------|------------|-----------------|---------------------------|
| 200 MHz | 5 | IS42S16320F-5TL | 54-pin TSOPII, Lead-free |
| | | IS42S16320F-5BL | 54-ball TSOPII, Lead-free |
| 167 MHz | 6 | IS42S16320F-6TL | 54-pin TSOPII, Lead-free |
| | | IS42S16320F-6BL | 54-ball BGA, Lead-free |
| 143 MHz | 7 | IS42S16320F-7TL | 54-pin TSOPII, Lead-free |
| | | IS42S16320F-7BL | 54-ball BGA, Lead-free |

Industrial Range: -40°C to +85°C

| Frequency | Speed (ns) | Order Part No. | Package |
|-----------|------------|------------------|--------------------------|
| 167 MHz | 6 | IS42S16320F-6TLI | 54-pin TSOPII, Lead-free |
| | | IS42S16320F-6BLI | 54-ball BGA, Lead-free |
| 143 MHz | 7 | IS42S16320F-7TLI | 54-pin TSOPII, Lead-free |
| | | IS42S16320F-7BLI | 54-ball BGA, Lead-free |



IS42/45R86400F/16320F IS42/45S86400F/16320F

ORDERING INFORMATION - $V_{DD} = 3.3V$ for x16

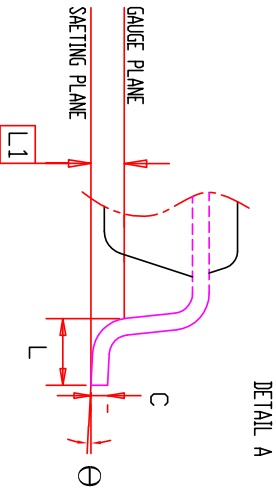
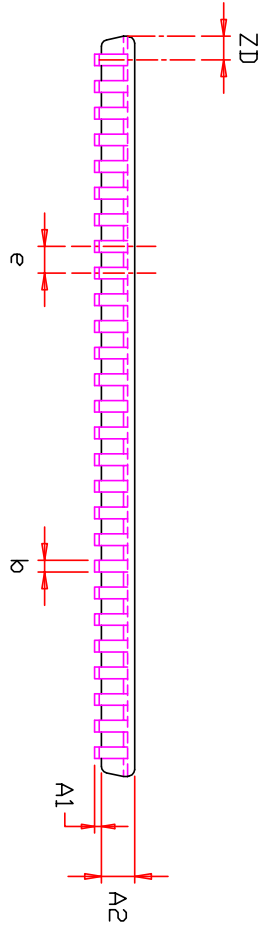
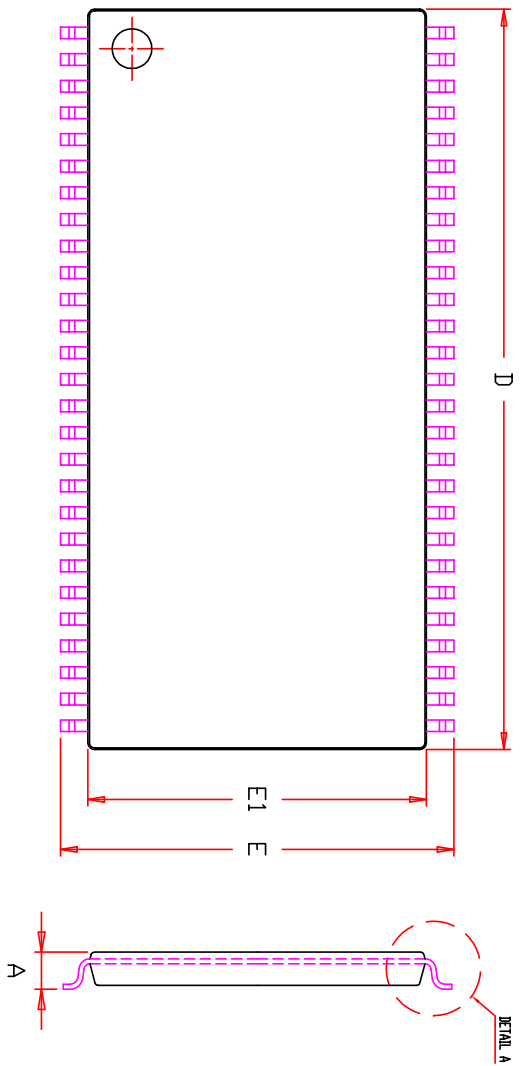
Automotive Range, A1: $-40^{\circ}C$ to $+85^{\circ}C$

| Frequency | Speed (ns) | Order Part No. | Package |
|-----------|------------|--------------------|---|
| 167 MHz | 6 | IS45S16320F-6TLA1 | 54-pin TSOPII, Lead-free |
| | | IS45S16320F-6BLA1 | 54-ball BGA, Lead-free |
| 143 MHz | 7 | IS45S16320F-7TLA1 | 54-pin TSOPII, Lead-free |
| | | IS45S16320F-7CTLA1 | 54-pin TSOPII, Copper Lead frame, Lead-free |
| | | IS45S16320F-7BLA1 | 54-ball BGA, Lead-free |

Automotive Range, A2: $-40^{\circ}C$ to $+105^{\circ}C$

| Frequency | Speed (ns) | Order Part No. | Package |
|-----------|------------|--------------------|---|
| 143 MHz | 7 | IS45S16320F-7TLA2 | 54-pin TSOPII, Lead-free |
| | | IS45S16320F-7CTLA2 | 54-pin TSOPII, Copper Lead frame, Lead-free |
| | | IS45S16320F-7BLA2 | 54-ball BGA, Lead-free |

*Note: For copper leadframe support, please contact ISSI.



| SYMBOL | DIMENSION IN MM | | | DIMENSION IN INCH | | |
|----------|-----------------|-------|-------|-------------------|-------|-------|
| | MIN. | NOM. | MAX. | MIN. | NOM. | MAX. |
| A | | | 1.20 | | | 0.047 |
| A1 | 0.05 | | 0.15 | 0.002 | | 0.006 |
| A2 | 0.95 | 1.00 | 1.05 | 0.037 | 0.039 | 0.041 |
| b | 0.30 | | 0.45 | 0.012 | | 0.018 |
| C | 0.12 | | 0.21 | 0.005 | | 0.008 |
| D | 22.02 | 22.22 | 22.42 | 0.867 | 0.875 | 0.883 |
| E | 11.56 | 11.76 | 11.96 | 0.455 | 0.463 | 0.471 |
| E1 | 10.03 | 10.16 | 10.29 | 0.395 | 0.400 | 0.405 |
| e | 0.80 | BSC. | | 0.031 | BSC. | |
| L | 0.40 | 0.50 | 0.60 | 0.016 | 0.020 | 0.024 |
| L1 | 0.25 | BSC. | | 0.010 | BSC. | |
| ZD | 0.71 | REF. | | 0.028 | REF. | |
| θ | 0 | | 8° | 0 | | 8° |

NOTE :

1. Controlling dimension : mm
2. Dimension D and E1 do not include mold protrusion .
3. Dimension b does not include dambar protrusion/intrusion.
4. Formed leads shall be planar with respect to one another within 0.1mm at the seating plane after final test.

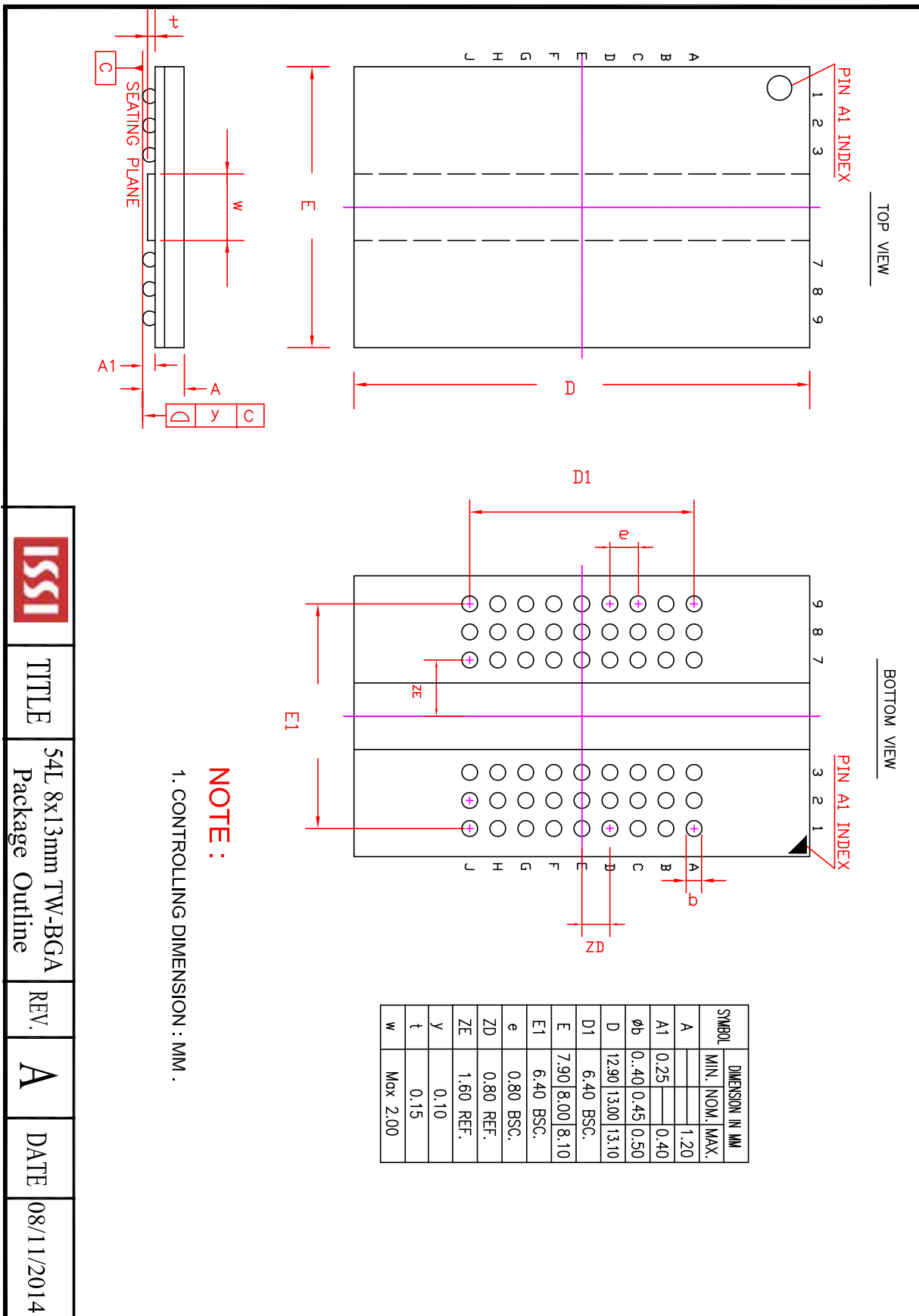


TITLE 54L 400mil TSOP-2 Package Outline

REV. F

DATE

03/24/2009



| | | | | | | |
|--|-------|-----------------------------------|------|---|------|------------|
| | TITLE | 54L 8x13mm TW-BGA Package Outline | REV. | A | DATE | 08/11/2014 |
|--|-------|-----------------------------------|------|---|------|------------|



Компания «ЭлектроПласт» предлагает заключение долгосрочных отношений при поставках импортных электронных компонентов на взаимовыгодных условиях!

Наши преимущества:

- Оперативные поставки широкого спектра электронных компонентов отечественного и импортного производства напрямую от производителей и с крупнейших мировых складов;
- Поставка более 17-ти миллионов наименований электронных компонентов;
- Поставка сложных, дефицитных, либо снятых с производства позиций;
- Оперативные сроки поставки под заказ (от 5 рабочих дней);
- Экспресс доставка в любую точку России;
- Техническая поддержка проекта, помощь в подборе аналогов, поставка прототипов;
- Система менеджмента качества сертифицирована по Международному стандарту ISO 9001;
- Лицензия ФСБ на осуществление работ с использованием сведений, составляющих государственную тайну;
- Поставка специализированных компонентов (Xilinx, Altera, Analog Devices, Intersil, Interpoint, Microsemi, Aeroflex, Peregrine, Syfer, Eurofarad, Texas Instrument, Miteq, Cobham, E2V, MA-COM, Hittite, Mini-Circuits, General Dynamics и др.);

Помимо этого, одним из направлений компании «ЭлектроПласт» является направление «Источники питания». Мы предлагаем Вам помощь Конструкторского отдела:

- Подбор оптимального решения, техническое обоснование при выборе компонента;
- Подбор аналогов;
- Консультации по применению компонента;
- Поставка образцов и прототипов;
- Техническая поддержка проекта;
- Защита от снятия компонента с производства.



Как с нами связаться

Телефон: 8 (812) 309 58 32 (многоканальный)

Факс: 8 (812) 320-02-42

Электронная почта: org@eplast1.ru

Адрес: 198099, г. Санкт-Петербург, ул. Калинина, дом 2, корпус 4, литера А.