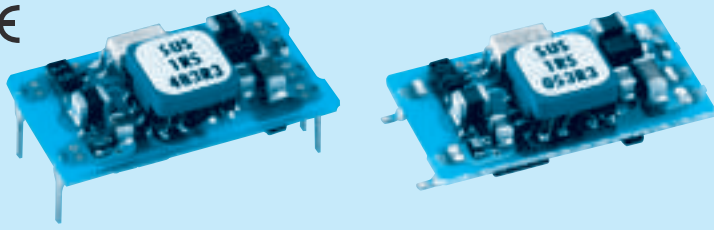


SUS1R5

SU S 1R5 12 05 B P

① ② ③ ④ ⑤ ⑥ ⑦



- ① Series name
- ② Single output
- ③ Output wattage
- ④ Input voltage
- ⑤ Output voltage
- ⑥ Mounting type
B :SMD
C :DIP
- ⑦ Packing form
Blank:Plastic cover
P :Tray (SMD type)

| MODEL | SUS1R5053R3 | SUS1R50505 | SUS1R50512 | SUS1R50515 | SUS1R5123R3 | SUS1R51205 | SUS1R51212 | SUS1R51215 |
|-----------------------|---------------|------------|------------|------------|-------------|------------|------------|------------|
| MAX OUTPUT WATTAGE[W] | 1.32 | 1.5 | 1.56 | 1.5 | 1.32 | 1.5 | 1.56 | 1.5 |
| DC OUTPUT | VOLTAGE[V] *1 | 3.3 | 5 | 12 | 15 | 3.3 | 5 | 12 |
| | CURRENT[A] | 0.4 | 0.3 | 0.13 | 0.1 | 0.4 | 0.3 | 0.13 |

SPECIFICATIONS

| | MODEL | SUS1R5053R3 | SUS1R50505 | SUS1R50512 | SUS1R50515 | SUS1R5123R3 | SUS1R51205 | SUS1R51212 | SUS1R51215 | |
|---------------------------------|----------------------------------------------------|------------------------------------------------------|---------------|---------------|-------------|-------------|---------------|---------------|------------|--------|
| INPUT | VOLTAGE[V] | DC4.5 - 9 | | | | DC9 - 18 | | | | |
| | CURRENT[A] | *2 0.377typ | 0.405typ | 0.422typ | 0.405typ | 0.153typ | 0.164typ | 0.171typ | 0.164typ | |
| | EFFICIENCY[%] | *2 70typ | 74typ | 74typ | 74typ | 72typ | 76typ | 76typ | 76typ | |
| OUTPUT | VOLTAGE[V] | 3.3 | 5 | 12 | 15 | 3.3 | 5 | 12 | 15 | |
| | CURRENT[A] | 0.4 | 0.3 | 0.13 | 0.1 | 0.4 | 0.3 | 0.13 | 0.1 | |
| | LINE REGULATION[mV] | 20max | 20max | 48max | 60max | 20max | 20max | 48max | 60max | |
| | LOAD REGULATION[mV] | 40max | 40max | 100max | 120max | 40max | 40max | 100max | 120max | |
| | RIPPLE[mVp-p] | -20 to +55°C *3 | 80max | 80max | 120max | 120max | 80max | 80max | 120max | 120max |
| | | -40 to -20°C *3 | 120max | 120max | 150max | 150max | 120max | 120max | 150max | 150max |
| | RIPPLE NOISE[mVp-p] | -20 to +55°C *3 | 120max | 120max | 150max | 150max | 120max | 120max | 150max | 150max |
| | | -40 to -20°C *3 | 200max | 200max | 200max | 200max | 200max | 200max | 200max | 200max |
| | TEMPERATURE REGULATION[mV] | -20 to +55°C | 50max | 50max | 150max | 180max | 50max | 50max | 150max | 180max |
| | | -40 to +55°C | 80max | 80max | 240max | 290max | 80max | 80max | 240max | 290max |
| | DRIFT[mV] | *4 20max | 20max | 48max | 60max | 20max | 20max | 48max | 60max | |
| START-UP TIME[ms] | 20max (Minimum input, Io=100%) | | | | | | | | | |
| OUTPUT VOLTAGE ADJUSTMENT RANGE | Fixed (TRM pin open) ±5% adjustable by external VR | | | | | | | | | |
| OUTPUT VOLTAGE SETTING[V] (±3%) | 3.21 - 3.42 | 4.90 - 5.21 | 11.64 - 12.36 | 14.55 - 15.45 | 3.21 - 3.42 | 4.90 - 5.21 | 11.64 - 12.36 | 14.55 - 15.45 | | |
| PROTECTION CIRCUIT AND OTHERS | OVERCURRENT PROTECTION | Works over 105% of rating and recovers automatically | | | | | | | | |

| MODEL | SUS1R5243R3 | SUS1R52405 | SUS1R52412 | SUS1R52415 | SUS1R5483R3 | SUS1R54805 | SUS1R54812 | SUS1R54815 |
|-----------------------|---------------|------------|------------|------------|-------------|------------|------------|------------|
| MAX OUTPUT WATTAGE[W] | 1.32 | 1.5 | 1.56 | 1.5 | 1.32 | 1.5 | 1.56 | 1.5 |
| DC OUTPUT | VOLTAGE[V] *1 | 3.3 | 5 | 12 | 15 | 3.3 | 5 | 12 |
| | CURRENT[A] | 0.4 | 0.3 | 0.13 | 0.1 | 0.4 | 0.3 | 0.13 |

SPECIFICATIONS

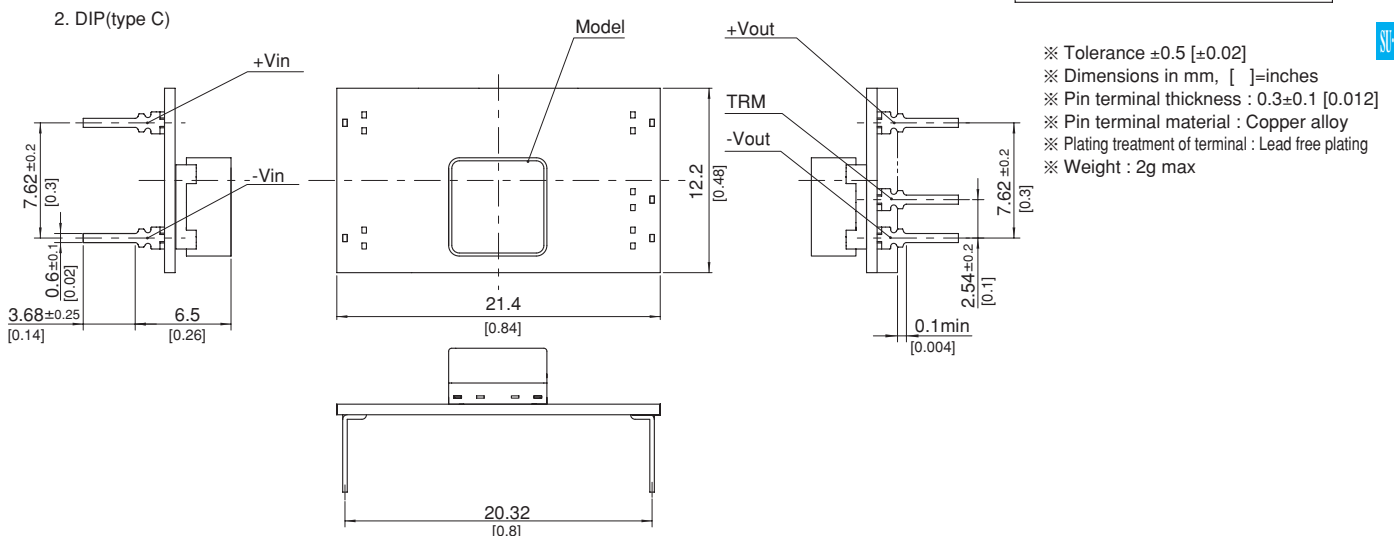
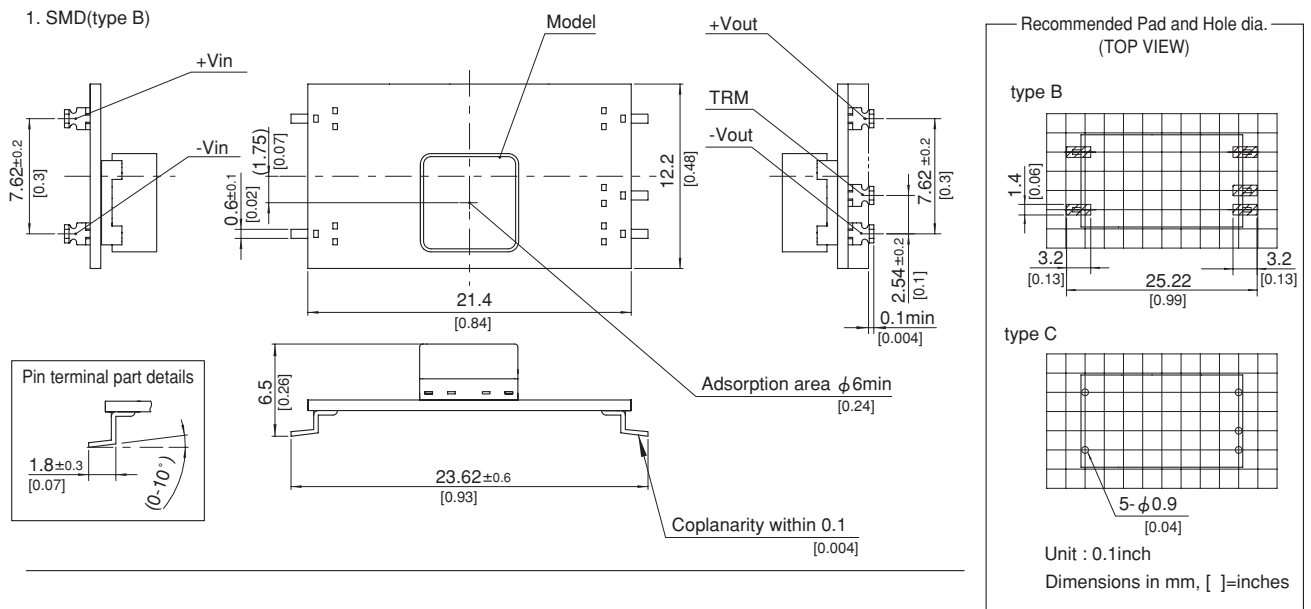
| | MODEL | SUS1R5243R3 | SUS1R52405 | SUS1R52412 | SUS1R52415 | SUS1R5483R3 | SUS1R54805 | SUS1R54812 | SUS1R54815 | |
|---------------------------------|----------------------------------------------------|------------------------------------------------------|---------------|---------------|-------------|-------------|---------------|---------------|------------|--------|
| INPUT | VOLTAGE[V] | DC18 - 36 | | | | DC36 - 76 | | | | |
| | CURRENT[A] | *2 0.076typ | 0.082typ | 0.084typ | 0.081typ | 0.038typ | 0.041typ | 0.042typ | 0.041typ | |
| | EFFICIENCY[%] | *2 72typ | 76typ | 77typ | 77typ | 72typ | 76typ | 77typ | 77typ | |
| OUTPUT | VOLTAGE[V] | 3.3 | 5 | 12 | 15 | 3.3 | 5 | 12 | 15 | |
| | CURRENT[A] | 0.4 | 0.3 | 0.13 | 0.1 | 0.4 | 0.3 | 0.13 | 0.1 | |
| | LINE REGULATION[mV] | 20max | 20max | 48max | 60max | 20max | 20max | 48max | 60max | |
| | LOAD REGULATION[mV] | 40max | 40max | 100max | 120max | 40max | 40max | 100max | 120max | |
| | RIPPLE[mVp-p] | -20 to +55°C *3 | 80max | 80max | 120max | 120max | 80max | 80max | 120max | 120max |
| | | -40 to -20°C *3 | 120max | 120max | 150max | 150max | 120max | 120max | 150max | 150max |
| | RIPPLE NOISE[mVp-p] | -20 to +55°C *3 | 120max | 120max | 150max | 150max | 120max | 120max | 150max | 150max |
| | | -40 to -20°C *3 | 200max | 200max | 200max | 200max | 200max | 200max | 200max | 200max |
| | TEMPERATURE REGULATION[mV] | -20 to +55°C | 50max | 50max | 150max | 180max | 50max | 50max | 150max | 180max |
| | | -40 to +55°C | 80max | 80max | 240max | 290max | 80max | 80max | 240max | 290max |
| | DRIFT[mV] | *4 20max | 20max | 48max | 60max | 20max | 20max | 48max | 60max | |
| START-UP TIME[ms] | 20max (Minimum input, Io=100%) | | | | | | | | | |
| OUTPUT VOLTAGE ADJUSTMENT RANGE | Fixed (TRM pin open) ±5% adjustable by external VR | | | | | | | | | |
| OUTPUT VOLTAGE SETTING[V] (±3%) | 3.21 - 3.42 | 4.90 - 5.21 | 11.64 - 12.36 | 14.55 - 15.45 | 3.21 - 3.42 | 4.90 - 5.21 | 11.64 - 12.36 | 14.55 - 15.45 | | |
| PROTECTION CIRCUIT AND OTHERS | OVERCURRENT PROTECTION | Works over 105% of rating and recovers automatically | | | | | | | | |

GENERAL SPECIFICATIONS

| | | |
|--------------------|---------------------------------------------|----------------------------------------------------------------------------------------------|
| ISOLATION | INPUT-OUTPUT | AC500V 1minute, Cutoff current = 10mA, DC500V 50MΩ min (20±15°C) |
| ENVIRONMENT | OPERATING TEMP., HUMID. AND ALTITUDE | -40 to +85°C, 20 - 95%RH (Non condensing) (Required Derating), 3,000m (10,000feet) max |
| | STORAGE TEMP., HUMID. AND ALTITUDE | -40 to +100°C, 20 - 95%RH (Non condensing), 9,000m (30,000feet) max |
| | VIBRATION | 10 - 55Hz, 98.0m/s ² (10G), 3minutes period, 60minutes each along X, Y and Z axis |
| | IMPACT | 490.3m/s ² (50G), 11ms, once each along X, Y and Z axis |
| SAFETY | AGENCY APPROVALS | UL60950-1, C-UL, EN60950-1 |
| OTHERS | CASE SIZE/WEIGHT | 21.4 × 6.5 × 12.2mm [0.84 × 0.26 × 0.48 inches] (W×H×D) / 2g max |
| | COOLING METHOD | Convection/Forced air |

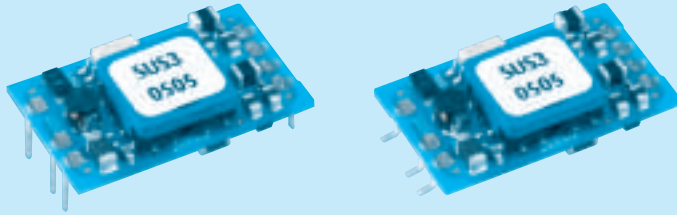
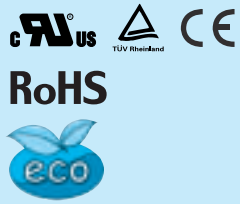
- *1 SUW1R5xx12/SUW1R5xx15 is available as single output, +24V/+30V.
- *2 Rated input 5V, 12V, 24V or 48V DC I_o=100%
- *3 Ripple and Ripple Noise is measured by using measuring board with capacitor with in 25mm from output pin terminals.
- *4 Drift is the change in DC output for an eight hour period after a half-hour warm-up at 25°C.
- * Parallel operation with other model is not possible.

External view



SUS3

SU S 3 12 05 B P - □
 ① ② ③ ④ ⑤ ⑥ ⑦ ⑧



- ① Series name
- ② Single output
- ③ Output wattage
- ④ Input voltage
- ⑤ Output voltage
- ⑥ Mounting type
B : SMD
C : DIP
- ⑦ Packing form
Blank: Plastic cover
P : Tray (SMD type)
- ⑧ Optional
G : Capacitor between Input and Output is removed.

| MODEL | SUS3053R3 | SUS30505 | SUS30512 | SUS30515 | SUS3123R3 | SUS31205 | SUS31212 | SUS31215 | |
|-----------------------|---------------|----------|----------|----------|-----------|----------|----------|----------|-----|
| MAX OUTPUT WATTAGE[W] | 1.98 | 3 | 3 | 3 | 1.98 | 3 | 3 | 3 | |
| DC OUTPUT | VOLTAGE[V] *1 | 3.3 | 5 | 12 | 15 | 3.3 | 5 | 12 | 15 |
| | CURRENT[A] | 0.6 | 0.6 | 0.25 | 0.2 | 0.6 | 0.6 | 0.25 | 0.2 |

SPECIFICATIONS

| | MODEL | SUS3053R3 | SUS30505 | SUS30512 | SUS30515 | SUS3123R3 | SUS31205 | SUS31212 | SUS31215 | |
|---------------------------------|----------------------------------------------------|------------------------------------------------------|---------------|---------------|-------------|-------------|---------------|---------------|----------|--------|
| INPUT | VOLTAGE[V] | DC4.5 - 9 | | | | DC9 - 18 | | | | |
| | CURRENT[A] *2 | 0.536typ | 0.780typ | 0.760typ | 0.760typ | 0.218typ | 0.317typ | 0.309typ | 0.313typ | |
| | EFFICIENCY[%] *2 | 74typ | 77typ | 79typ | 79typ | 76typ | 79typ | 81typ | 80typ | |
| OUTPUT | VOLTAGE[V] | 3.3 | 5 | 12 | 15 | 3.3 | 5 | 12 | 15 | |
| | CURRENT[A] | 0.6 | 0.6 | 0.25 | 0.2 | 0.6 | 0.6 | 0.25 | 0.2 | |
| | LINE REGULATION[mV] | 20max | 20max | 48max | 60max | 20max | 20max | 48max | 60max | |
| | LOAD REGULATION[mV] | 40max | 40max | 100max | 120max | 40max | 40max | 100max | 120max | |
| | RIPPLE[mVp-p] | -20 to +55°C *3 | 80max | 80max | 120max | 120max | 80max | 80max | 120max | 120max |
| | | -40 to -20°C *3 | 120max | 120max | 150max | 150max | 120max | 120max | 150max | 150max |
| | RIPPLE NOISE[mVp-p] | -20 to +55°C *3 | 120max | 120max | 150max | 150max | 120max | 120max | 150max | 150max |
| | | -40 to -20°C *3 | 200max | 200max | 200max | 200max | 200max | 200max | 200max | 200max |
| | TEMPERATURE REGULATION[mV] | -20 to +55°C | 50max | 50max | 150max | 180max | 50max | 50max | 150max | 180max |
| | | -40 to +55°C | 80max | 80max | 240max | 290max | 80max | 80max | 240max | 290max |
| DRIFT[mV] *4 | 20max | 20max | 48max | 60max | 20max | 20max | 48max | 60max | | |
| START-UP TIME[ms] | 20max (Minimum input, Io=100%) | | | | | | | | | |
| OUTPUT VOLTAGE ADJUSTMENT RANGE | Fixed (TRM pin open) ±5% adjustable by external VR | | | | | | | | | |
| OUTPUT VOLTAGE SETTING[V] (±3%) | 3.21 - 3.42 | 4.90 - 5.21 | 11.64 - 12.36 | 14.55 - 15.45 | 3.21 - 3.42 | 4.90 - 5.21 | 11.64 - 12.36 | 14.55 - 15.45 | | |
| PROTECTION CIRCUIT AND OTHERS | OVERCURRENT PROTECTION | Works over 105% of rating and recovers automatically | | | | | | | | |
| | REMOTE ON/OFF | Provided (Negative logic L : ON, H : OFF) | | | | | | | | |

| MODEL | SUS3243R3 | SUS32405 | SUS32412 | SUS32415 | SUS3483R3 | SUS34805 | SUS34812 | SUS34815 | |
|-----------------------|---------------|----------|----------|----------|-----------|----------|----------|----------|-----|
| MAX OUTPUT WATTAGE[W] | 1.98 | 3 | 3 | 3 | 1.98 | 3 | 3 | 3 | |
| DC OUTPUT | VOLTAGE[V] *1 | 3.3 | 5 | 12 | 15 | 3.3 | 5 | 12 | 15 |
| | CURRENT[A] | 0.6 | 0.6 | 0.25 | 0.2 | 0.6 | 0.6 | 0.25 | 0.2 |

SPECIFICATIONS

| | MODEL | SUS3243R3 | SUS32405 | SUS32412 | SUS32415 | SUS3483R3 | SUS34805 | SUS34812 | SUS34815 | |
|---------------------------------|----------------------------------------------------|------------------------------------------------------|---------------|---------------|-------------|-------------|---------------|---------------|----------|--------|
| INPUT | VOLTAGE[V] | DC18 - 36 | | | | DC36 - 76 | | | | |
| | CURRENT[A] *2 | 0.110typ | 0.159typ | 0.155typ | 0.157typ | 0.056typ | 0.080typ | 0.078typ | 0.078typ | |
| | EFFICIENCY[%] *2 | 75typ | 79typ | 81typ | 80typ | 74typ | 79typ | 81typ | 81typ | |
| OUTPUT | VOLTAGE[V] | 3.3 | 5 | 12 | 15 | 3.3 | 5 | 12 | 15 | |
| | CURRENT[A] | 0.6 | 0.6 | 0.25 | 0.2 | 0.6 | 0.6 | 0.25 | 0.2 | |
| | LINE REGULATION[mV] | 20max | 20max | 48max | 60max | 20max | 20max | 48max | 60max | |
| | LOAD REGULATION[mV] | 40max | 40max | 100max | 120max | 40max | 40max | 100max | 120max | |
| | RIPPLE[mVp-p] | -20 to +55°C *3 | 80max | 80max | 120max | 120max | 80max | 80max | 120max | 120max |
| | | -40 to -20°C *3 | 120max | 120max | 150max | 150max | 120max | 120max | 150max | 150max |
| | RIPPLE NOISE[mVp-p] | -20 to +55°C *3 | 120max | 120max | 150max | 150max | 120max | 120max | 150max | 150max |
| | | -40 to -20°C *3 | 200max | 200max | 200max | 200max | 200max | 200max | 200max | 200max |
| | TEMPERATURE REGULATION[mV] | -20 to +55°C | 50max | 50max | 150max | 180max | 50max | 50max | 150max | 180max |
| | | -40 to +55°C | 80max | 80max | 240max | 290max | 80max | 80max | 240max | 290max |
| DRIFT[mV] *4 | 20max | 20max | 48max | 60max | 20max | 20max | 48max | 60max | | |
| START-UP TIME[ms] | 20max (Minimum input, Io=100%) | | | | | | | | | |
| OUTPUT VOLTAGE ADJUSTMENT RANGE | Fixed (TRM pin open) ±5% adjustable by external VR | | | | | | | | | |
| OUTPUT VOLTAGE SETTING[V] (±3%) | 3.21 - 3.42 | 4.90 - 5.21 | 11.64 - 12.36 | 14.55 - 15.45 | 3.21 - 3.42 | 4.90 - 5.21 | 11.64 - 12.36 | 14.55 - 15.45 | | |
| PROTECTION CIRCUIT AND OTHERS | OVERCURRENT PROTECTION | Works over 105% of rating and recovers automatically | | | | | | | | |
| | REMOTE ON/OFF | Provided (Negative logic L : ON, H : OFF) | | | | | | | | |

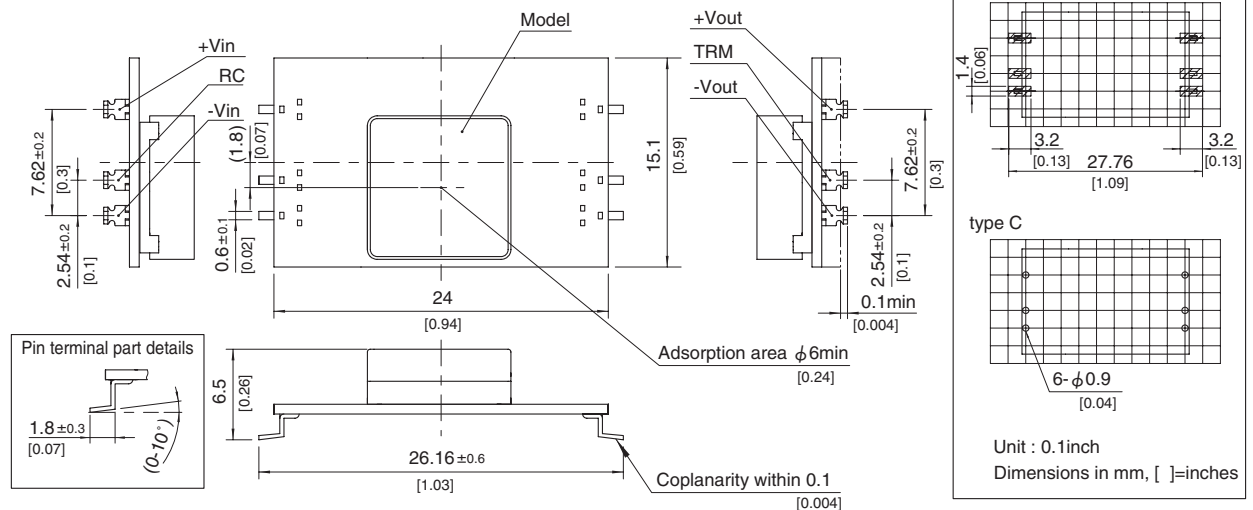
GENERAL SPECIFICATIONS

| | | |
|--------------------|-------------------------------------------|----------------------------------------------------------------------------------------------|
| ISOLATION | INPUT-OUTPUT | AC500V 1minute, Cutoff current = 10mA, DC500V 50MΩ min (20±15°C) |
| ENVIRONMENT | OPERATING TEMP.,HUMID.AND ALTITUDE | -40 to +85°C, 20 - 95%RH (Non condensing) (Required Derating), 3,000m (10,000feet) max |
| | STORAGE TEMP.,HUMID.AND ALTITUDE | -40 to +100°C, 20 - 95%RH (Non condensing), 9,000m (30,000feet) max |
| | VIBRATION | 10 - 55Hz, 98.0m/s ² (10G), 3minutes period, 60minutes each along X, Y and Z axis |
| | IMPACT | 490.3m/s ² (50G), 11ms, once each along X, Y and Z axis |
| SAFETY | AGENCY APPROVALS | UL60950-1, C-UL, EN60950-1 |
| OTHERS | CASE SIZE/WEIGHT | 24×6.5×15.1mm [0.94×0.26×0.59 inches] (W×H×D) / 3g max |
| | COOLING METHOD | Convection/Forced air |

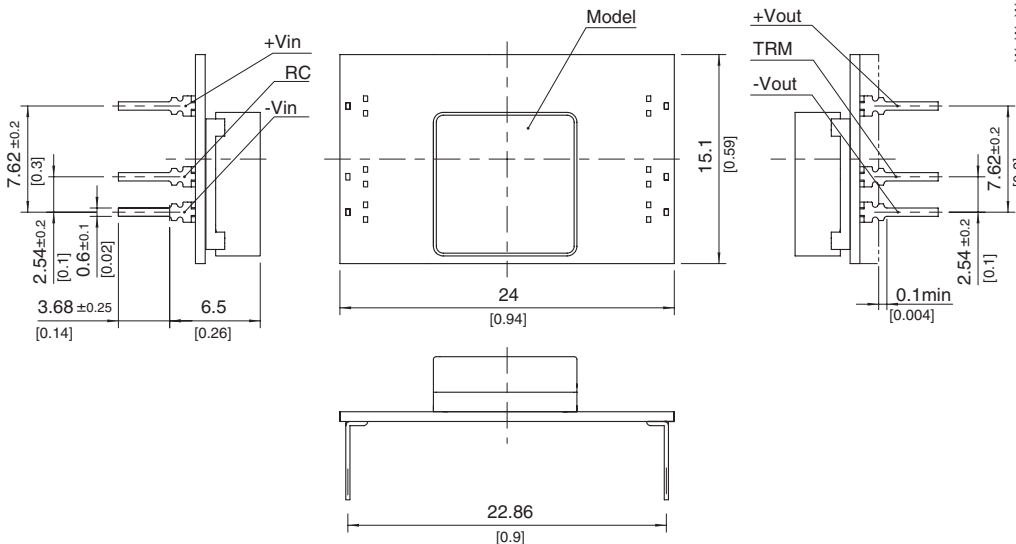
- *1 SUW3xx12/SUW3xx15 is available as single output, +24V/+30V.
- *2 Rated input 5V, 12V, 24V or 48V DC I_o=100%
- *3 Ripple and Ripple Noise is measured by using measuring board with capacitor with in 25mm from output pin terminals.
- *4 Drift is the change in DC output for an eight hour period after a half-hour warm-up at 25°C.
- * Parallel operation with other model is not possible.

External view

1.SMD(type B)



2.DIP(type C)

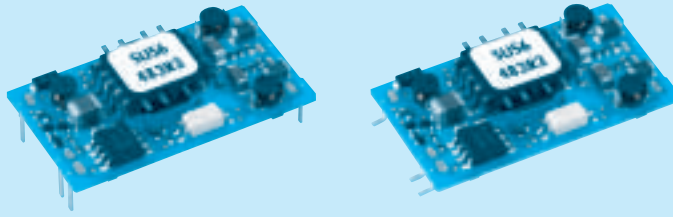
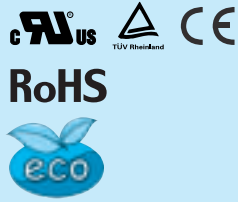


- ※ Tolerance ±0.5 [±0.02]
- ※ Dimensions in mm, []=inches
- ※ Pin terminal thickness : 0.3±0.1 [0.012]
- ※ Pin terminal material : Copper alloy
- ※ Plating treatment of terminal : Lead free plating
- ※ Weight : 3g max

SUS/SUT

SUS6

SU S 6 12 05 B P - □
 ① ② ③ ④ ⑤ ⑥ ⑦ ⑧



- ① Series name
- ② Single output
- ③ Output wattage
- ④ Input voltage
- ⑤ Output voltage
- ⑥ Mounting type
B : SMD
C : DIP
- ⑦ Packing form
Blank: Plastic cover
P : Tray (SMD type)
- ⑧ Optional
G : Capacitor between Input and Output is removed.

| MODEL | SUS6053R3 | SUS60505 | SUS60512 | SUS60515 | SUS6123R3 | SUS61205 | SUS61212 | SUS61215 | |
|-----------------------|---------------|----------|----------|----------|-----------|----------|----------|----------|-----|
| MAX OUTPUT WATTAGE[W] | 3.96 | 5 | 6 | 6 | 4.46 | 6 | 6 | 6 | |
| DC OUTPUT | VOLTAGE[V] *1 | 3.3 | 5 | 12 | 15 | 3.3 | 5 | 12 | 15 |
| | CURRENT[A] | 1.2 | 1 | 0.5 | 0.4 | 1.35 | 1.2 | 0.5 | 0.4 |

SPECIFICATIONS

| | MODEL | SUS6053R3 | SUS60505 | SUS60512 | SUS60515 | SUS6123R3 | SUS61205 | SUS61212 | SUS61215 | |
|---------------------------------|----------------------------------------------------|------------------------------------------------------|---------------|---------------|-------------|-------------|---------------|---------------|----------|--------|
| INPUT | VOLTAGE[V] | DC4.5 - 9 | | | | DC9 - 18 | | | | |
| | CURRENT[A] *2 | 1.100typ | 1.316typ | 1.500typ | 1.500typ | 0.502typ | 0.617typ | 0.588typ | 0.588typ | |
| | EFFICIENCY[%] *2 | 72typ | 76typ | 80typ | 80typ | 74typ | 81typ | 85typ | 85typ | |
| OUTPUT | VOLTAGE[V] | 3.3 | 5 | 12 | 15 | 3.3 | 5 | 12 | 15 | |
| | CURRENT[A] | 1.2 | 1 | 0.5 | 0.4 | 1.35 | 1.2 | 0.5 | 0.4 | |
| | LINE REGULATION[mV] | 20max | 20max | 48max | 60max | 20max | 20max | 48max | 60max | |
| | LOAD REGULATION[mV] | 40max | 40max | 100max | 120max | 40max | 40max | 100max | 120max | |
| | RIPPLE[mVp-p] | -20 to +55°C *3 | 80max | 80max | 120max | 120max | 80max | 80max | 120max | 120max |
| | | -40 to -20°C *3 | 120max | 120max | 150max | 150max | 120max | 120max | 150max | 150max |
| | RIPPLE NOISE[mVp-p] | -20 to +55°C *3 | 120max | 120max | 150max | 150max | 120max | 120max | 150max | 150max |
| | | -40 to -20°C *3 | 200max | 200max | 200max | 200max | 200max | 200max | 200max | 200max |
| | TEMPERATURE REGULATION[mV] | -20 to +55°C | 50max | 50max | 150max | 180max | 50max | 50max | 150max | 180max |
| | | -40 to +55°C | 80max | 80max | 240max | 290max | 80max | 80max | 240max | 290max |
| DRIFT[mV] *4 | 20max | 20max | 48max | 60max | 20max | 20max | 48max | 60max | | |
| START-UP TIME[ms] | 20max (Minimum input, Io=100%) | | | | | | | | | |
| OUTPUT VOLTAGE ADJUSTMENT RANGE | Fixed (TRM pin open) ±5% adjustable by external VR | | | | | | | | | |
| OUTPUT VOLTAGE SETTING[V] (±3%) | 3.21 - 3.42 | 4.90 - 5.21 | 11.64 - 12.36 | 14.55 - 15.45 | 3.21 - 3.42 | 4.90 - 5.21 | 11.64 - 12.36 | 14.55 - 15.45 | | |
| PROTECTION CIRCUIT AND OTHERS | OVERCURRENT PROTECTION | Works over 105% of rating and recovers automatically | | | | | | | | |
| | REMOTE ON/OFF | Provided (Negative logic L : ON, H : OFF) | | | | | | | | |

| MODEL | SUS6243R3 | SUS62405 | SUS62412 | SUS62415 | SUS6483R3 | SUS64805 | SUS64812 | SUS64815 | |
|-----------------------|---------------|----------|----------|----------|-----------|----------|----------|----------|-----|
| MAX OUTPUT WATTAGE[W] | 4.46 | 6 | 6 | 6 | 4.46 | 6 | 6 | 6 | |
| DC OUTPUT | VOLTAGE[V] *1 | 3.3 | 5 | 12 | 15 | 3.3 | 5 | 12 | 15 |
| | CURRENT[A] | 1.35 | 1.2 | 0.5 | 0.4 | 1.35 | 1.2 | 0.5 | 0.4 |

SPECIFICATIONS

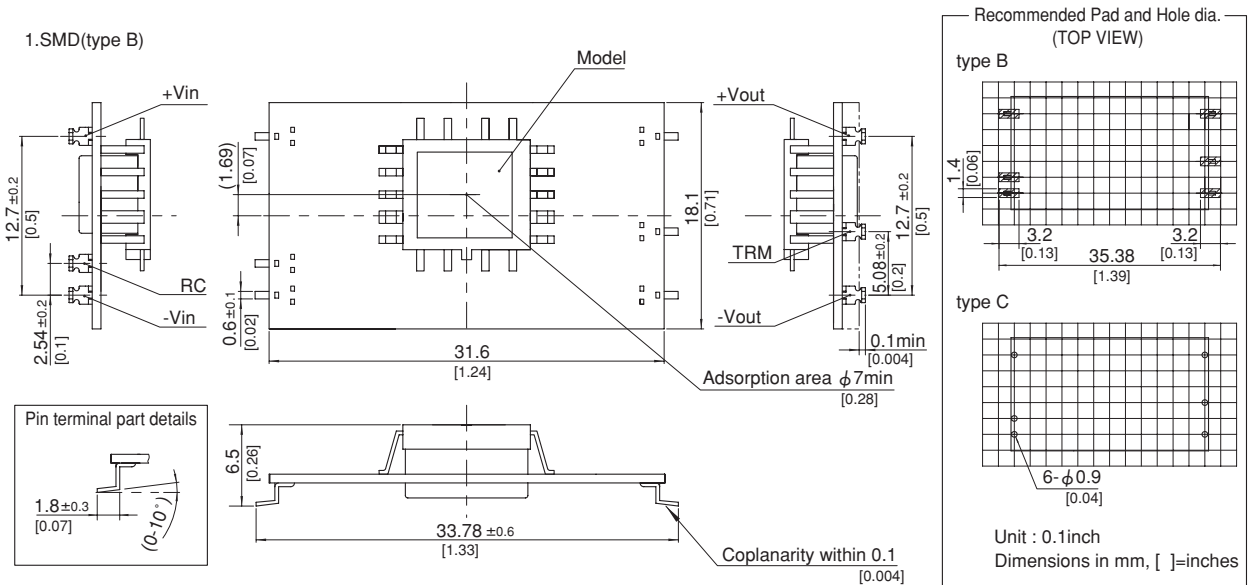
| | MODEL | SUS6243R3 | SUS62405 | SUS62412 | SUS62415 | SUS6483R3 | SUS64805 | SUS64812 | SUS64815 | |
|---------------------------------|----------------------------------------------------|------------------------------------------------------|---------------|---------------|-------------|-------------|---------------|---------------|----------|--------|
| INPUT | VOLTAGE[V] | DC18 - 36 | | | | DC36 - 76 | | | | |
| | CURRENT[A] *2 | 0.248typ | 0.309typ | 0.291typ | 0.291typ | 0.121typ | 0.154typ | 0.145typ | 0.145typ | |
| | EFFICIENCY[%] *2 | 75typ | 81typ | 86typ | 86typ | 77typ | 81typ | 86typ | 86typ | |
| OUTPUT | VOLTAGE[V] | 3.3 | 5 | 12 | 15 | 3.3 | 5 | 12 | 15 | |
| | CURRENT[A] | 1.35 | 1.2 | 0.5 | 0.4 | 1.35 | 1.2 | 0.5 | 0.4 | |
| | LINE REGULATION[mV] | 20max | 20max | 48max | 60max | 20max | 20max | 48max | 60max | |
| | LOAD REGULATION[mV] | 40max | 40max | 100max | 120max | 40max | 40max | 100max | 120max | |
| | RIPPLE[mVp-p] | -20 to +55°C *3 | 80max | 80max | 120max | 120max | 80max | 80max | 120max | 120max |
| | | -40 to -20°C *3 | 120max | 120max | 150max | 150max | 120max | 120max | 150max | 150max |
| | RIPPLE NOISE[mVp-p] | -20 to +55°C *3 | 120max | 120max | 150max | 150max | 120max | 120max | 150max | 150max |
| | | -40 to -20°C *3 | 200max | 200max | 200max | 200max | 200max | 200max | 200max | 200max |
| | TEMPERATURE REGULATION[mV] | -20 to +55°C | 50max | 50max | 150max | 180max | 50max | 50max | 150max | 180max |
| | | -40 to +55°C | 80max | 80max | 240max | 290max | 80max | 80max | 240max | 290max |
| DRIFT[mV] *4 | 20max | 20max | 48max | 60max | 20max | 20max | 48max | 60max | | |
| START-UP TIME[ms] | 20max (Minimum input, Io=100%) | | | | | | | | | |
| OUTPUT VOLTAGE ADJUSTMENT RANGE | Fixed (TRM pin open) ±5% adjustable by external VR | | | | | | | | | |
| OUTPUT VOLTAGE SETTING[V] (±3%) | 3.21 - 3.42 | 4.90 - 5.21 | 11.64 - 12.36 | 14.55 - 15.45 | 3.21 - 3.42 | 4.90 - 5.21 | 11.64 - 12.36 | 14.55 - 15.45 | | |
| PROTECTION CIRCUIT AND OTHERS | OVERCURRENT PROTECTION | Works over 105% of rating and recovers automatically | | | | | | | | |
| | REMOTE ON/OFF | Provided (Negative logic L : ON, H : OFF) | | | | | | | | |

GENERAL SPECIFICATIONS

| | | |
|--------------------|---------------------------------------------|----------------------------------------------------------------------------------------------|
| ISOLATION | INPUT-OUTPUT | AC500V 1minute, Cutoff current = 10mA, DC500V 50MΩ min (20±15°C) |
| ENVIRONMENT | OPERATING TEMP., HUMID. AND ALTITUDE | -40 to +85°C, 20 - 95%RH (Non condensing) (Required Derating), 3,000m (10,000feet) max |
| | STORAGE TEMP., HUMID. AND ALTITUDE | -40 to +100°C, 20 - 95%RH (Non condensing), 9,000m (30,000feet) max |
| | VIBRATION | 10 - 55Hz, 98.0m/s ² (10G), 3minutes period, 60minutes each along X, Y and Z axis |
| | IMPACT | 490.3m/s ² (50G), 11ms, once each along X, Y and Z axis |
| SAFETY | AGENCY APPROVALS | UL60950-1, C-UL, EN60950-1 |
| OTHERS | CASE SIZE/WEIGHT | 31.6×6.5×18.1mm [1.24×0.26×0.71 inches] (W×H×D) / 4g max |
| | COOLING METHOD | Convection/Forced air |

- *1 SUW6xx12/SUW6xx15 is available as single output, +24V/+30V.
- *2 Rated input 5V, 12V, 24V or 48V DC I_o=100%
- *3 Ripple and Ripple Noise is measured by using measuring board with capacitor with in 25mm from output pin terminals.
- *4 Drift is the change in DC output for an eight hour period after a half-hour warm-up at 25°C.
- * Parallel operation with other model is not possible.

External view

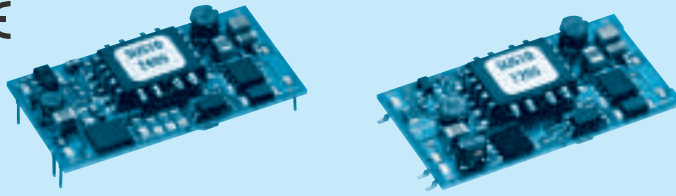
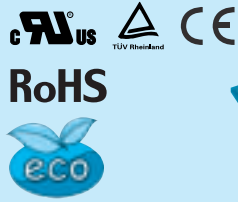


- ※ Tolerance ±0.5 [±0.02]
- ※ Dimensions in mm, []=inches
- ※ Pin terminal thickness : 0.3±0.1 [0.012]
- ※ Pin terminal material : Copper alloy
- ※ Plating treatment of terminal : Lead free plating
- ※ Weight : 4g max

SU-SUC/SUT

SUS10

SU S 10 12 05 B P - □
 ① ② ③ ④ ⑤ ⑥ ⑦ ⑧



- ① Series name
- ② Single output
- ③ Output wattage
- ④ Input voltage
- ⑤ Output voltage
- ⑥ Mounting type
B : SMD
C : DIP
- ⑦ Packing form
Blank: Plastic cover
P : Tray (SMD type)
- ⑧ Optional
G : Capacitor between Input and Output is removed.

| MODEL | SUS10053R3 | SUS100505 | SUS100512 | SUS100515 | SUS10123R3 | SUS101205 | SUS101212 | SUS101215 | |
|-----------------------|---------------|-----------|-----------|-----------|------------|-----------|-----------|-----------|-----|
| MAX OUTPUT WATTAGE[W] | 8.58 | 10 | 10.8 | 10.5 | 8.58 | 10 | 12 | 12 | |
| DC OUTPUT | VOLTAGE[V] *1 | 3.3 | 5 | 12 | 15 | 3.3 | 5 | 12 | 15 |
| | CURRENT[A] | 2.6 | 2 | 0.9 | 0.7 | 2.6 | 2 | 1 | 0.8 |

SPECIFICATIONS

| | MODEL | SUS10053R3 | SUS100505 | SUS100512 | SUS100515 | SUS10123R3 | SUS101205 | SUS101212 | SUS101215 | |
|---------------------------------|----------------------------------------------------|------------------------------------------------------|---------------|---------------|-------------|-------------|---------------|---------------|-----------|--------|
| INPUT | VOLTAGE[V] | DC4.5 - 9 | | | | DC9 - 18 | | | | |
| | CURRENT[A] *2 | 2.12typ | 2.41typ | 2.54typ | 2.47typ | 0.872typ | 0.980typ | 1.15typ | 1.15typ | |
| | EFFICIENCY[%] *2 | 81typ | 83typ | 85typ | 85typ | 82typ | 85typ | 87typ | 87typ | |
| OUTPUT | VOLTAGE[V] | 3.3 | 5 | 12 | 15 | 3.3 | 5 | 12 | 15 | |
| | CURRENT[A] | 2.6 | 2 | 0.9 | 0.7 | 2.6 | 2 | 1 | 0.8 | |
| | LINE REGULATION[mV] | 20max | 20max | 48max | 60max | 20max | 20max | 48max | 60max | |
| | LOAD REGULATION[mV] | 40max | 40max | 100max | 120max | 40max | 40max | 100max | 120max | |
| | RIPPLE[mVp-p] | -20 to +55°C *3 | 80max | 80max | 120max | 120max | 80max | 80max | 120max | 120max |
| | | -40 to -20°C *3 | 120max | 120max | 150max | 150max | 120max | 120max | 150max | 150max |
| | RIPPLE NOISE[mVp-p] | -20 to +55°C *3 | 120max | 120max | 150max | 150max | 120max | 120max | 150max | 150max |
| | | -40 to -20°C *3 | 200max | 200max | 200max | 200max | 200max | 200max | 200max | 200max |
| | TEMPERATURE REGULATION[mV] | -20 to +55°C | 50max | 50max | 150max | 180max | 50max | 50max | 150max | 180max |
| | | -40 to +55°C | 80max | 80max | 240max | 290max | 80max | 80max | 240max | 290max |
| DRIFT[mV] *4 | 20max | 20max | 48max | 60max | 20max | 20max | 48max | 60max | | |
| START-UP TIME[ms] | 20max (Minimum input, Io=100%) | | | | | | | | | |
| OUTPUT VOLTAGE ADJUSTMENT RANGE | Fixed (TRM pin open) ±5% adjustable by external VR | | | | | | | | | |
| OUTPUT VOLTAGE SETTING[V] (±3%) | 3.21 - 3.42 | 4.90 - 5.21 | 11.64 - 12.36 | 14.55 - 15.45 | 3.21 - 3.42 | 4.90 - 5.21 | 11.64 - 12.36 | 14.55 - 15.45 | | |
| PROTECTION CIRCUIT AND OTHERS | OVERCURRENT PROTECTION | Works over 105% of rating and recovers automatically | | | | | | | | |
| | REMOTE ON/OFF | Provided (Negative logic L : ON, H : OFF) | | | | | | | | |

| MODEL | SUS10243R3 | SUS102405 | SUS102412 | SUS102415 | SUS10483R3 | SUS104805 | SUS104812 | SUS104815 | |
|-----------------------|---------------|-----------|-----------|-----------|------------|-----------|-----------|-----------|-----|
| MAX OUTPUT WATTAGE[W] | 8.58 | 10 | 12 | 12 | 8.58 | 10 | 12 | 12 | |
| DC OUTPUT | VOLTAGE[V] *1 | 3.3 | 5 | 12 | 15 | 3.3 | 5 | 12 | 15 |
| | CURRENT[A] | 2.6 | 2 | 1 | 0.8 | 2.6 | 2 | 1 | 0.8 |

SPECIFICATIONS

| | MODEL | SUS10243R3 | SUS102405 | SUS102412 | SUS102415 | SUS10483R3 | SUS104805 | SUS104812 | SUS104815 | |
|---------------------------------|----------------------------------------------------|------------------------------------------------------|---------------|---------------|-------------|-------------|---------------|---------------|-----------|--------|
| INPUT | VOLTAGE[V] | DC18 - 36 | | | | DC36 - 76 | | | | |
| | CURRENT[A] *2 | 0.436typ | 0.490typ | 0.575typ | 0.575typ | 0.218typ | 0.245typ | 0.287typ | 0.287typ | |
| | EFFICIENCY[%] *2 | 82typ | 85typ | 87typ | 87typ | 82typ | 85typ | 87typ | 87typ | |
| OUTPUT | VOLTAGE[V] | 3.3 | 5 | 12 | 15 | 3.3 | 5 | 12 | 15 | |
| | CURRENT[A] | 2.6 | 2 | 1 | 0.8 | 2.6 | 2 | 1 | 0.8 | |
| | LINE REGULATION[mV] | 20max | 20max | 48max | 60max | 20max | 20max | 48max | 60max | |
| | LOAD REGULATION[mV] | 40max | 40max | 100max | 120max | 40max | 40max | 100max | 120max | |
| | RIPPLE[mVp-p] | -20 to +55°C *3 | 80max | 80max | 120max | 120max | 80max | 80max | 120max | 120max |
| | | -40 to -20°C *3 | 120max | 120max | 150max | 150max | 120max | 120max | 150max | 150max |
| | RIPPLE NOISE[mVp-p] | -20 to +55°C *3 | 120max | 120max | 150max | 150max | 120max | 120max | 150max | 150max |
| | | -40 to -20°C *3 | 200max | 200max | 200max | 200max | 200max | 200max | 200max | 200max |
| | TEMPERATURE REGULATION[mV] | -20 to +55°C | 50max | 50max | 150max | 180max | 50max | 50max | 150max | 180max |
| | | -40 to +55°C | 80max | 80max | 240max | 290max | 80max | 80max | 240max | 290max |
| DRIFT[mV] *4 | 20max | 20max | 48max | 60max | 20max | 20max | 48max | 60max | | |
| START-UP TIME[ms] | 20max (Minimum input, Io=100%) | | | | | | | | | |
| OUTPUT VOLTAGE ADJUSTMENT RANGE | Fixed (TRM pin open) ±5% adjustable by external VR | | | | | | | | | |
| OUTPUT VOLTAGE SETTING[V] (±3%) | 3.21 - 3.42 | 4.90 - 5.21 | 11.64 - 12.36 | 14.55 - 15.45 | 3.21 - 3.42 | 4.90 - 5.21 | 11.64 - 12.36 | 14.55 - 15.45 | | |
| PROTECTION CIRCUIT AND OTHERS | OVERCURRENT PROTECTION | Works over 105% of rating and recovers automatically | | | | | | | | |
| | REMOTE ON/OFF | Provided (Negative logic L : ON, H : OFF) | | | | | | | | |

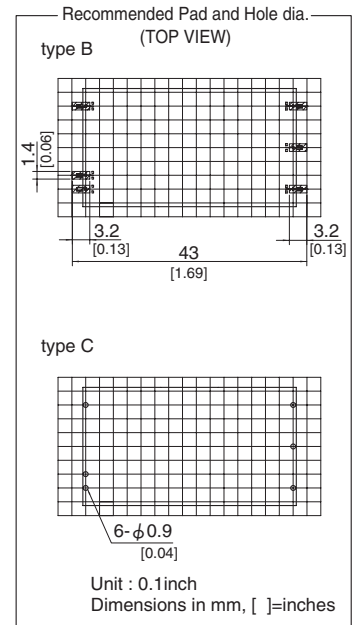
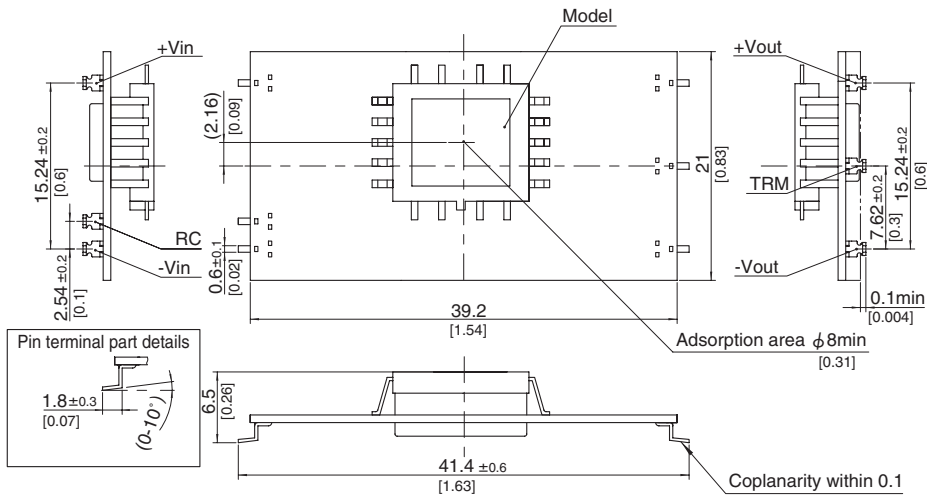
GENERAL SPECIFICATIONS

| | | |
|--------------------|--------------------------------------------|----------------------------------------------------------------------------------------------|
| ISOLATION | INPUT-OUTPUT | AC500V 1minute, Cutoff current = 10mA, DC500V 50MΩ min (20±15°C) |
| ENVIRONMENT | OPERATING TEMP.,HUMID.AND ALTIITUDE | -40 to +85°C, 20 - 95%RH (Non condensing) (Required Derating), 3,000m (10,000feet) max |
| | STORAGE TEMP.,HUMID.AND ALTIITUDE | -40 to +100°C, 20 - 95%RH (Non condensing), 9,000m (30,000feet) max |
| | VIBRATION | 10 - 55Hz, 98.0m/s ² (10G), 3minutes period, 60minutes each along X, Y and Z axis |
| | IMPACT | 490.3m/s ² (50G), 11ms, once each along X, Y and Z axis |
| SAFETY | AGENCY APPROVALS | UL60950-1, C-UL, EN60950-1 |
| OTHERS | CASE SIZE/WEIGHT | 39.2×6.5×21.0mm [1.54×0.26×0.83 inches] (W×H×D) / 6g max |
| | COOLING METHOD | Convection/Forced air |

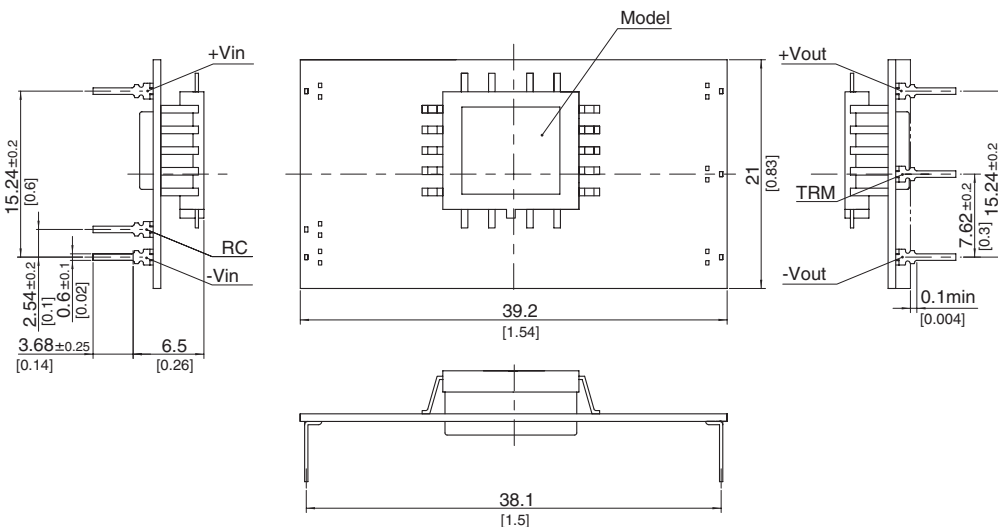
- *1 SUW10xx12/SUW10xx15 is available as single output, +24V/+30V.
- *2 Rated input 5V, 12V, 24V or 48V DC Io=100%
- *3 Ripple and Ripple Noise is measured by using measuring board with capacitor with in 25mm from output pin terminals.
- *4 Drift is the change in DC output for an eight hour period after a half-hour warm-up at 25°C.
- * Parallel operation with other model is not possible.

External view

1.SMD(type B)



2.DIP(type C)



- ※ Tolerance ±0.5 [±0.02]
- ※ Dimensions in mm, []=inches
- ※ Pin terminal thickness : 0.3±0.1 [0.012]
- ※ Pin terminal material : Copper alloy
- ※ Plating treatment of terminal : Lead free plating
- ※ Weight : 6g max

SE-SUC/SUT

Mouser Electronics

Authorized Distributor

Click to View Pricing, Inventory, Delivery & Lifecycle Information:

Cosel:

[SUS62415BP-G](#) [SUS61212BP-G](#) [SUS104805BP](#) [SUS100505B](#) [SUS32412B](#) [SUS101215BP](#) [SUS1R51205B](#)
[SUS1R52415C](#) [SUS62415B](#) [SUS6483R3C](#) [SUS60505B](#) [SUS30505C](#) [SUS1R50505C](#) [SUS102415BP-G](#)
[SUS10053R3B](#) [SUS10483R3C](#) [SUS32415C](#) [SUS1R54815B](#) [SUS32405BP-G](#) [SUS102405C-G](#) [SUS31205C](#)
[SUS3053R3C](#) [SUS104812BP](#) [SUS1R5123R3BP](#) [SUS1R5243R3C](#) [SUS6053R3B](#) [SUS62405C-G](#) [SUS34805C](#)
[SUS30505B](#) [SUS100505C-G](#) [SUS10243R3B](#) [SUS61205C](#) [SUS61205B](#) [SUS30512BP](#) [SUS62412BP](#) [SUS34812C](#)
[SUS61215BP](#) [SUS1R50512C](#) [SUS104815BP](#) [SUS31212BP](#) [SUS102412BP](#) [SUS64812BP](#) [SUS102412C-G](#)
[SUS60515C](#) [SUS60505C-G](#) [SUS30505BP-G](#) [SUS32405BP](#) [SUS6243R3B](#) [SUS101205B](#) [SUS3123R3C](#)
[SUS1R51215B](#) [SUS1R50515C](#) [SUS34805BP](#) [SUS3483R3C](#) [SUS61212BP](#) [SUS32412BP-G](#) [SUS6243R3BP-G](#)
[SUS1R52412BP](#) [SUS10483R3BP](#) [SUS3243R3B](#) [SUS62405C](#) [SUS64815BP](#) [SUS6123R3BP](#) [SUS1R54805C](#)
[SUS102405C](#) [SUS3053R3BP](#) [SUS10053R3C](#) [SUS31215B](#) [SUS100515C](#) [SUS3243R3C](#) [SUS1R52405B](#)
[SUS1R54815C](#) [SUS6483R3BP](#) [SUS6053R3C](#) [SUS32405C-G](#) [SUS62415C-G](#) [SUS64812B](#) [SUS31205BP](#)
[SUS10123R3B](#) [SUS62415BP](#) [SUS1R5053R3C](#) [SUS1R5243R3BP](#) [SUS10483R3B](#) [SUS104812B](#) [SUS1R50512BP](#)
[SUS60512BP](#) [SUS64815B](#) [SUS64805B](#) [SUS1R51205C](#) [SUS61205BP-G](#) [SUS101205C](#) [SUS30515B](#) [SUS62412B-](#)
[G](#) [SUS6123R3B](#) [SUS1R52412B](#) [SUS10243R3C-G](#) [SUS102415B-G](#) [SUS31215BP](#) [SUS31205B](#) [SUS104805C](#)



Компания «ЭлектроПласт» предлагает заключение долгосрочных отношений при поставках импортных электронных компонентов на взаимовыгодных условиях!

Наши преимущества:

- Оперативные поставки широкого спектра электронных компонентов отечественного и импортного производства напрямую от производителей и с крупнейших мировых складов;
- Поставка более 17-ти миллионов наименований электронных компонентов;
- Поставка сложных, дефицитных, либо снятых с производства позиций;
- Оперативные сроки поставки под заказ (от 5 рабочих дней);
- Экспресс доставка в любую точку России;
- Техническая поддержка проекта, помощь в подборе аналогов, поставка прототипов;
- Система менеджмента качества сертифицирована по Международному стандарту ISO 9001;
- Лицензия ФСБ на осуществление работ с использованием сведений, составляющих государственную тайну;
- Поставка специализированных компонентов (Xilinx, Altera, Analog Devices, Intersil, Interpoint, Microsemi, Aeroflex, Peregrine, Syfer, Eurofarad, Texas Instrument, Miteq, Cobham, E2V, MA-COM, Hittite, Mini-Circuits, General Dynamics и др.);

Помимо этого, одним из направлений компании «ЭлектроПласт» является направление «Источники питания». Мы предлагаем Вам помощь Конструкторского отдела:

- Подбор оптимального решения, техническое обоснование при выборе компонента;
- Подбор аналогов;
- Консультации по применению компонента;
- Поставка образцов и прототипов;
- Техническая поддержка проекта;
- Защита от снятия компонента с производства.



Как с нами связаться

Телефон: 8 (812) 309 58 32 (многоканальный)

Факс: 8 (812) 320-02-42

Электронная почта: org@eplast1.ru

Адрес: 198099, г. Санкт-Петербург, ул. Калинина, дом 2, корпус 4, литера А.