

SiT5156

1 MHz to 60 MHz, ± 0.5 to ± 2.5 ppm, Elite Platform™ Super-TCXO



Description

The SiT5156 is a ± 0.5 to ± 2.5 ppm MEMS Super-TCXO that is engineered for best dynamic performance. It is ideal for high reliability telecom, wireless and networking, industrial, precision GNSS and audio/video applications.

Leveraging SiTime's unique DualMEMS™ temperature sensing and TurboCompensation™ technologies, the SiT5156 delivers the best dynamic performance for timing stability in the presence of environmental stressors due to air flow, temperature perturbation, vibration, shock, and electromagnetic interference. This device also integrates multiple on-chip regulators to filter power supply noise, eliminating the need for a dedicated external LDO.

The SiT5156 offers three device configurations that can be ordered using [Ordering Codes](#) for:

- 1) TCXO with non-pullable output frequency,
- 2) VCTCXO allowing voltage control of output frequency, and
- 3) DCTCXO, enabling digital control of output frequency using an I²C interface, pullable to 5 ppt (parts per trillion) resolution.

The SiT5156 can be factory programmed for any combination of frequency, stability, voltage, and pull range. Programmability enables designers to optimize clock configurations while eliminating long lead times and customization costs associated with quartz devices where each frequency is custom built.

Refer to [Manufacturing Guideline](#) for proper reflow profile and PCB cleaning recommendations to ensure best performance.

Features

- Any frequency from 1 MHz to 60 MHz in 1 Hz steps
- Factory programmable options for low lead times
- Best dynamic stability under airflow, thermal shock
 - ± 0.5 ppm stability across temperature
 - ± 15 ppb/°C typical frequency slope ($\Delta F/\Delta T$)
- -40°C to +105°C operating temperature
- No activity dips or micro jumps
- Resistant to shock, vibration and board bending
- On-chip regulators eliminate the need for external LDOs
- Digital frequency pulling (DCTCXO) via I²C
 - Digital control of output frequency and pull range
 - Up to ± 3200 ppm pull range
 - Frequency pull resolution down to 5 ppt
- 2.5V, 2.8V, 3.0V and 3.3V supply voltage
- LVCMOS or clipped sinewave output
- RoHS and REACH compliant
- Pb-free, Halogen-free, Antimony-free

Applications

- Precision GNSS systems
- Microwave backhaul
- Network routers and switches
- Professional audio and video equipment
- Storage and servers
- Test and measurement



Block Diagram

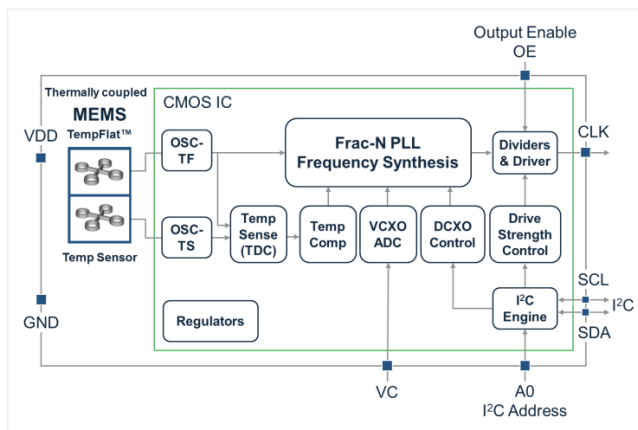


Figure 1. SiT5156 Block Diagram

5.0 x 3.2 mm² Package Pinout

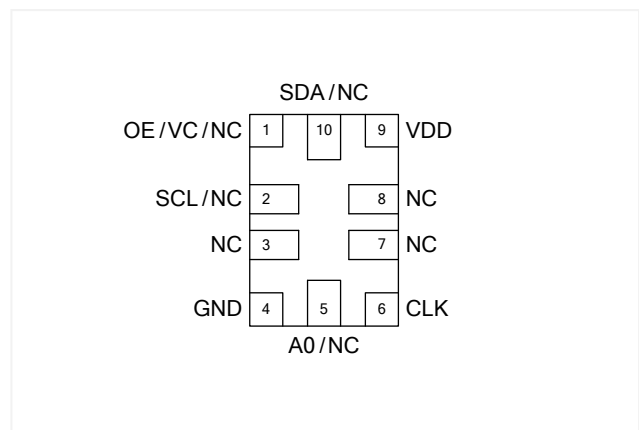
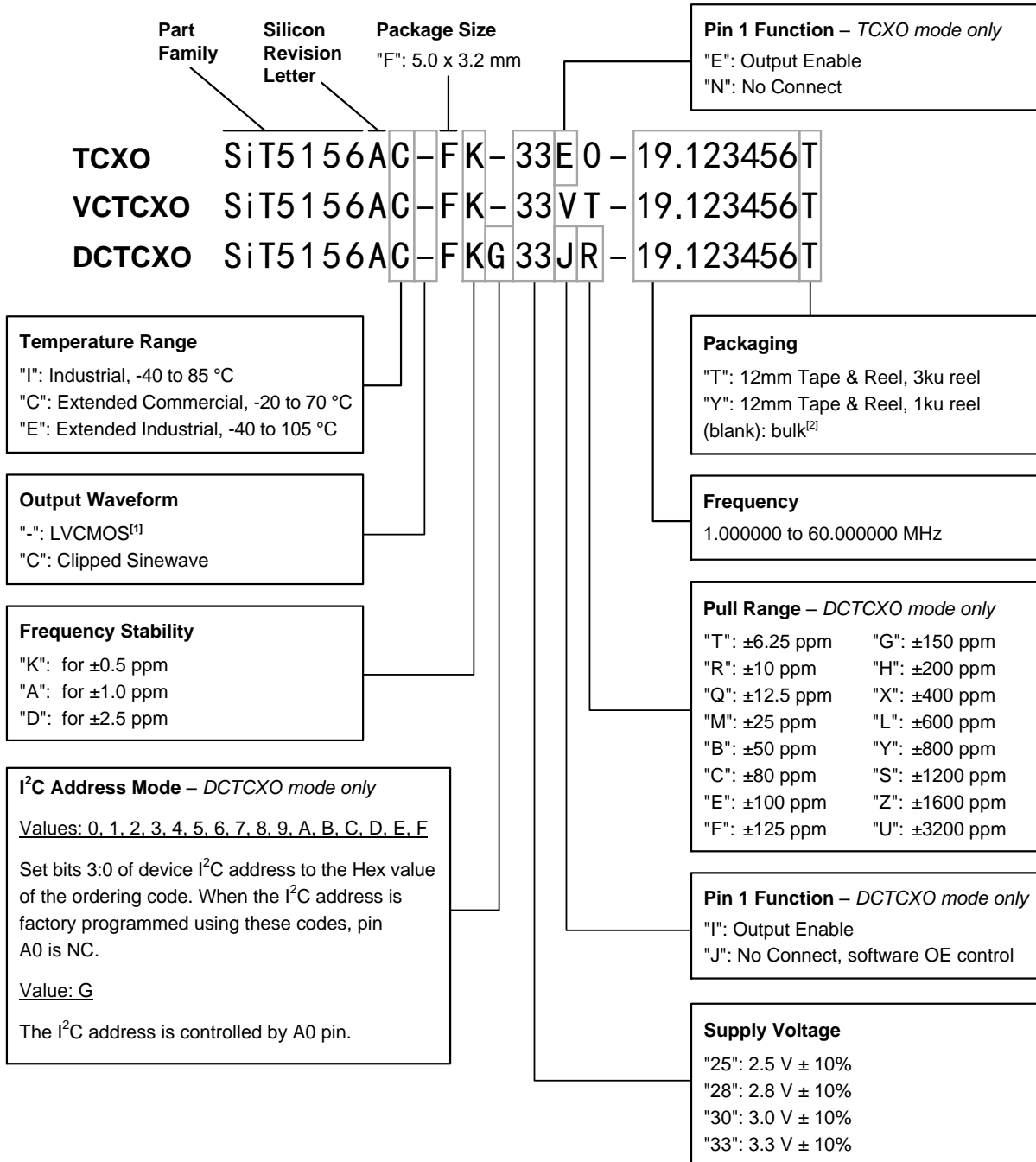


Figure 2. Pin Assignments (Top view)
(Refer to [Table 13](#) for Pin Descriptions)

Ordering Information

The following part number guide is for reference only. To customize and build an exact part number, use the SiTime [Part Number Generator](#). To validate the part number, use the SiTime [Part Number Decoder](#).



Notes:

- "-" corresponds to the default rise/fall time for LVC MOS output as specified in [Table 1](#) (Electrical Characteristics). Contact [SiTime](#) for other rise/fall time options for best EMI.
- Bulk is available for sampling only

TABLE OF CONTENTS

Description 1

Features..... 1

Applications 1

Block Diagram 1

5.0 x 3.2 mm² Package Pinout..... 1

Ordering Information 2

Electrical Characteristics..... 4

Device Configurations and Pin-outs..... 9

 Pin-out Top Views..... 9

Test Circuit Diagrams for LVCMOS and Clipped Sinewave Outputs 10

Waveforms..... 12

Timing Diagrams..... 13

Typical Performance Plots 14

Architecture Overview..... 16

 Frequency Stability 16

 Output Frequency and Format..... 16

 Output Frequency Tuning 16

 Pin 1 Configuration (OE, VC, or NC) 17

Device Configurations..... 17

 TCXO Configuration 17

 VCTCXO Configuration 18

 DCTCXO Configuration 19

VCTCXO-Specific Design Considerations 20

 Linearity 20

 Control Voltage Bandwidth 20

 FV Characteristic Slope K_v 20

 Pull Range, Absolute Pull Range..... 21

DCTCXO-Specific Design Considerations 22

 Pull Range and Average Pull Range 22

 Output Frequency 23

 I²C Control Registers 25

 Register Descriptions..... 25

 Register Address: 0x00. Digital Frequency Control Least Significant Word (LSW) 25

 Register Address: 0x01. OE Control, Digital Frequency Control Most Significant Word (MSW)..... 26

 Register Address: 0x02. DIGITAL PULL RANGE CONTROL ^[14] 27

 Serial Interface Configuration Description 28

 Serial Signal Format 28

 Parallel Signal Format 29

 Parallel Data Format..... 29

 I²C Timing Specification..... 31

 I²C Device Address Modes 32

 Schematic Example 33

Dimensions and Patterns..... 34

Layout Guidelines 35

Manufacturing Guidelines 35

Electrical Characteristics

All Min and Max limits are specified over temperature and rated operating voltage with 15 pF output load unless otherwise stated. Typical values are at 25°C and 3.3V Vdd.

Table 1. Output Characteristics

| Parameters | Symbol | Min. | Typ. | Max. | Unit | Condition |
|--|-------------|--------|--------|--------|--------|--|
| Frequency Coverage | | | | | | |
| Nominal Output Frequency Range | F_nom | 1 | – | 60 | MHz | |
| Temperature Range | | | | | | |
| Operating Temperature Range | T_use | -20 | – | +70 | °C | Extended Commercial, ambient temperature |
| | | -40 | – | +85 | °C | Industrial, ambient temperature |
| | | -40 | – | +105 | °C | Extended Industrial, ambient temperature |
| Frequency Stability | | | | | | |
| Initial Tolerance | F_init | -1 | – | +1 | ppm | Initial frequency at 25°C inclusive of solder-down shift at 48 hours after 2 reflows |
| Supply Voltage Sensitivity | F_Vdd | -16.25 | ±7.10 | +16.25 | ppb | ±0.5 ppm F_stab, Vdd ±5% |
| | | -32.50 | ±11.83 | +32.50 | ppb | ±1.0ppm F_stab, Vdd ±5% |
| | | -65.0 | ±28.40 | +65.0 | ppb | ±2.5 ppm F_stab, Vdd ±5% |
| Output Load Sensitivity | F_load | -2.75 | ±0.81 | +2.75 | ppb | ±0.5 ppm F_stab. LVC MOS output, 15 pF ±10%. Clipped sinewave output, 10kΩ 10 pF ±10% |
| | | -5.50 | ±1.35 | +5.50 | ppb | ±1.0 ppm F_stab. LVC MOS output, 15 pF ±10%. Clipped sinewave output, 10kΩ 10 pF ±10% |
| | | -11.00 | ±3.24 | +11.00 | ppb | ±2.5 ppm F_stab. LVC MOS output, 15 pF ±10%. Clipped sinewave output, 10kΩ 10 pF ±10% |
| Frequency Stability over Temperature | F_stab | -0.5 | – | +0.5 | ppm | Referenced to (max frequency + min frequency)/2 over the rated temperature range. Vc=Vdd/2 for VCTCXO |
| | | -1.0 | – | +1.0 | ppm | |
| | | -2.5 | – | +2.5 | ppm | |
| Frequency vs. Temperature Slope | ΔF/ΔT | -25 | ±15 | +25 | ppb/°C | ±0.5 ppm F_stab, -40 to 105 °C |
| | | -50 | ±25 | +50 | ppb/°C | ±1.0 ppm F_stab, -40 to 105 °C |
| | | -100 | ±60 | +100 | ppb/°C | ±2.5 ppm F_stab, -40 to 105 °C |
| Dynamic Frequency Change during Temperature Ramp | F_dynamic | -0.21 | ±0.13 | +0.21 | ppb/s | ±0.5 ppm F_stab, 0.5°C/min temperature ramp rate |
| | | -0.42 | ±0.21 | +0.42 | ppb/s | ±1.0 ppm F_stab, 0.5°C/min temperature ramp rate |
| | | -0.83 | ±0.50 | +0.83 | ppb/s | ±2.5 ppm F_stab, 0.5°C/min temperature ramp rate |
| One-Year Aging | F_1y | – | ±1 | – | ppm | At 25°C, after 2-days of continued operation. Aging is measured with respect to day 3. |
| 20-Year Aging | F_20y | – | ±2 | – | ppm | At 25°C, after 2-days of continued operation. Aging is measured with respect to day 3. |
| LVC MOS Output Characteristics | | | | | | |
| Duty Cycle | DC | 45 | – | 55 | % | |
| Rise/Fall Time | Tr, Tf | 0.8 | 1.2 | 1.9 | ns | 10% - 90% Vdd |
| Output Voltage High | VOH | 90% | – | – | Vdd | IOH = +3mA |
| Output Voltage Low | VOL | – | – | 10% | Vdd | IOL = -3mA |
| Clipped Sinewave Output Characteristics | | | | | | |
| Output Voltage Swing | V_out | 0.8 | – | 1.2 | V | Clipped sinewave output, 10kΩ 10 pF ±10% |
| Rise/Fall Time | Tr, Tf | – | 3.5 | 4.6 | ns | 20% - 80% Vdd, F = 19.2 MHz |
| Start-up Characteristics | | | | | | |
| Start-up Time | T_start | – | 2.5 | 3.5 | ms | Time to first pulse, measured from the time Vdd reaches 90% of its final value. Vdd ramp time = 100 μs from 0V to Vdd |
| Output Enable Time | T_oe | – | – | 680 | ns | F_nom=10 MHz. See Timing Diagrams section below. |
| First Pulse Accuracy | T_stability | – | 5 | 45 | ms | Time to first accurate pulse within rated stability, measured from the time Vdd reaches 90% of its final value. Vdd ramp time = 100 μs |

Table 2. DC Characteristics

| Parameters | Symbol | Min. | Typ. | Max. | Unit | Condition |
|----------------------------|-----------------|------|------|------|------|--|
| Supply Voltage | | | | | | |
| Supply Voltage | V _{dd} | 2.25 | 2.5 | 2.75 | V | Contact SiTime for 2.25V to 3.63V continuous supply voltage support. |
| | | 2.52 | 2.8 | 3.08 | V | |
| | | 2.7 | 3.0 | 3.3 | V | |
| | | 2.97 | 3.3 | 3.63 | V | |
| Current Consumption | | | | | | |
| Current Consumption | I _{dd} | – | 44 | 53 | mA | F _{nom} = 19.2 MHz, No Load, TCXO and DCTCXO modes |
| | | – | 48 | 57 | mA | F _{nom} = 19.2 MHz, No Load, VCTCXO mode |
| OE Disable Current | I _{od} | – | 43 | 51 | mA | OE = GND, output weakly pulled down. TCXO, DCTCXO |
| | | – | 47 | 55 | mA | OE = GND, output weakly pulled down. VCTCXO mode |

Table 3. Input Characteristics

| Parameters | Symbol | Min. | Typ. | Max. | Unit | Condition |
|--|---------------------|------------|------|------|-----------------|--|
| Input Characteristics – OE Pin | | | | | | |
| Input Impedance | Z _{in} | 75 | – | – | k Ω | Internal pull up to V _{dd} |
| Input High Voltage | V _{IH} | 70% | – | – | V _{dd} | |
| Input Low Voltage | V _{IL} | – | – | 30% | V _{dd} | |
| Frequency Tuning Range – Voltage Control or I²C mode | | | | | | |
| Pull Range | PR | ± 6.25 | – | – | ppm | VCTCXO mode; contact SiTime for ± 12.5 and ± 25 ppm. |
| | | ± 6.25 | – | – | ppm | DCTCXO mode |
| | | ± 10 | | | | |
| | | ± 12.5 | | | | |
| | | ± 25 | | | | |
| | | ± 50 | | | | |
| | | ± 80 | | | | |
| | | ± 100 | | | | |
| | | ± 125 | | | | |
| | | ± 150 | | | | |
| | | ± 200 | | | | |
| | | ± 400 | | | | |
| ± 600 | | | | | | |
| ± 800 | | | | | | |
| ± 1200 | | | | | | |
| ± 1600 | | | | | | |
| ± 3200 | | | | | | |
| Absolute Pull Range ^[3] | APR | ± 2.75 | – | – | ppm | ± 0.5 ppm F _{stab} , DCTCXO, VCTCXO for PR = ± 6.25 ppm |
| | | ± 2.25 | – | – | ppm | ± 1.0 ppm F _{stab} , DCTCXO, VCTCXO for PR = ± 6.25 ppm |
| | | ± 0.75 | – | – | ppm | ± 2.5 ppm F _{stab} , DCTCXO, VCTCXO for PR = ± 6.25 ppm |
| Upper Control Voltage | VC _U | 90% | – | – | V _{dd} | VCTCXO mode |
| Lower Control Voltage | VC _L | – | – | 10% | V _{dd} | VCTCXO mode |
| Control Voltage Input Impedance | VC _z | 8 | – | – | M Ω | VCTCXO mode |
| Control Voltage Input Bandwidth | VC _{bw} | – | 10 | – | kHz | VCTCXO mode; contact SiTime for other bandwidth options |
| Frequency Control Polarity | F _{pol} | Positive | | | | VCTCXO mode |
| Pull Range Linearity | PR _{lin} | – | 0.5 | 1.0 | % | VCTCXO mode |
| I²C Interface Characteristics, 200 Ohm, 550 pF (Max I²C Bus Load) | | | | | | |
| Bus Frequency | F _{I2C} | – | 100 | – | kHz | -40 to 105 °C |
| | | – | 400 | – | kHz | -40 to 105 °C |
| | | – | 1000 | – | kHz | -40 to 85 °C |
| Input Voltage Low | V _{IL_I2C} | – | – | 30% | V _{dd} | DCTCXO mode |
| Input Voltage High | V _{IH_I2C} | 70% | – | – | V _{dd} | DCTCXO mode |
| Output Voltage Low | V _{OL_I2C} | – | – | 0.4 | V | DCTCXO mode |
| Input Leakage current | I _L | 0.5 | – | 24 | μ A | 0.1 V _{DD} < V _{OUT} < 0.9 V _{DD} . Includes typical leakage current from 200 k Ω pull resistor to V _{DD} . DCTCXO mode |
| Input Capacitance | C _{IN} | – | – | 5 | pF | DCTCXO mode |

Note:

3. APR = PR – initial tolerance – 20-year aging – frequency stability over temperature. Refer to [Table 17](#) for APR with respect to other pull range options.

Table 4. Jitter & Phase Noise – LVCMOS, -40 to 85 °C

| Parameters | Symbol | Min. | Typ. | Max. | Unit | Condition |
|----------------------------|------------|------|------|------|--------|---|
| Jitter | | | | | | |
| RMS Phase Jitter (random) | T_phj | – | 0.31 | 0.48 | ps | F_nom = 10 MHz, Integration bandwidth = 12 kHz to 5 MHz |
| | | – | 0.31 | 0.48 | ps | F_nom = 10 MHz, Integration bandwidth = 12 kHz to 20 MHz |
| RMS Period Jitter | T_jitt_per | – | 0.8 | 1.1 | ps | F_nom = 10 MHz, population 10k |
| Peak Cycle-to-Cycle Jitter | T_jitt_cc | – | 6 | 9 | ps | F_nom = 10 MHz, population 1k, measured as absolute value |
| Phase Noise | | | | | | |
| 1 Hz offset | | – | -80 | -74 | dBc/Hz | F_nom = 10 MHz TCXO and DCTCXO modes, and VCTCXO mode with ± 6.25 ppm pull range |
| 10 Hz offset | | – | -108 | -102 | dBc/Hz | |
| 100 Hz offset | | – | -127 | -123 | dBc/Hz | |
| 1 kHz offset | | – | -148 | -145 | dBc/Hz | |
| 10 kHz offset | | – | -154 | -151 | dBc/Hz | |
| 100 kHz offset | | – | -154 | -150 | dBc/Hz | |
| 1 MHz offset | | – | -167 | -163 | dBc/Hz | |
| 5 MHz offset | | – | -168 | -164 | dBc/Hz | |
| Spurious | T_spur | – | -112 | -105 | dBc | F_nom = 10 MHz, 1 kHz to 5 MHz offsets |

Table 5. Jitter & Phase Noise – Clipped Sinewave, -40 to 85 °C

| Parameters | Symbol | Min. | Typ. | Max. | Unit | Condition |
|---------------------------|--------|------|------|------|--------|---|
| Jitter | | | | | | |
| RMS Phase Jitter (random) | T_phj | – | 0.31 | 0.45 | ps | F_nom = 19.2 MHz, Integration bandwidth = 12 kHz to 5 MHz |
| | | – | 0.31 | 0.48 | ps | F_nom = 60 MHz, Integration bandwidth = 12 kHz to 20 MHz |
| Phase Noise | | | | | | |
| 1 Hz offset | | – | -74 | -68 | dBc/Hz | F_nom = 19.2 MHz TCXO and DCTCXO modes, and VCTCXO mode with ± 6.25 ppm pull range |
| 10 Hz offset | | – | -102 | -97 | dBc/Hz | |
| 100 Hz offset | | – | -121 | -117 | dBc/Hz | |
| 1 kHz offset | | – | -142 | -140 | dBc/Hz | |
| 10 kHz offset | | – | -148 | -146 | dBc/Hz | |
| 100 kHz offset | | – | -149 | -145 | dBc/Hz | |
| 1 MHz offset | | – | -162 | -159 | dBc/Hz | |
| 5 MHz offset | | – | -164 | -160 | dBc/Hz | |
| Spurious | T_spur | – | -109 | -104 | dBc | F_nom = 19.2 MHz, 1 kHz to 5 MHz offsets |

Table 6. Jitter & Phase Noise – LVCMOS, -40 to 105 °C

| Parameters | Symbol | Min. | Typ. | Max. | Unit | Condition |
|----------------------------|------------|------|------|------|--------|---|
| Jitter | | | | | | |
| RMS Phase Jitter (random) | T_phj | – | 0.31 | 0.48 | ps | F_nom = 10 MHz, Integration bandwidth = 12 kHz to 5 MHz |
| | | – | 0.31 | 0.50 | ps | F_nom = 50 MHz, Integration bandwidth = 12 kHz to 20 MHz |
| RMS Period Jitter | T_jitt_per | – | 0.8 | 1.1 | ps | F_nom = 10 MHz, population 10k |
| Peak Cycle-to-Cycle Jitter | T_jitt_cc | – | 6 | 9 | ps | F_nom = 10 MHz, population 1k, measured as absolute value |
| Phase Noise | | | | | | |
| 1 Hz offset | | – | -80 | -74 | dBc/Hz | F_nom = 10 MHz TCXO and DCTCXO modes, and VCTCXO mode with ±6.25 ppm pull range. |
| 10 Hz offset | | – | -108 | -102 | dBc/Hz | |
| 100 Hz offset | | – | -127 | -123 | dBc/Hz | |
| 1 kHz offset | | – | -148 | -145 | dBc/Hz | |
| 10 kHz offset | | – | -154 | -151 | dBc/Hz | |
| 100 kHz offset | | – | -154 | -150 | dBc/Hz | |
| 1 MHz offset | | – | -167 | -162 | dBc/Hz | |
| 5 MHz offset | | – | -168 | -164 | dBc/Hz | |
| Spurious | T_spur | – | -112 | -101 | dBc | F_nom = 10 MHz, 1 kHz to 5 MHz offsets, Vdd=2.5V |
| | | – | -112 | -106 | dBc | F_nom = 10 MHz, 1 kHz to 5 MHz offsets, Vdd=2.8V, 3.0V, 3.3V |

Table 7. Jitter & Phase Noise – Clipped Sinewave, -40 to 105 °C

| Parameters | Symbol | Min. | Typ. | Max. | Unit | Condition |
|---------------------------|--------|------|------|------|--------|--|
| Jitter | | | | | | |
| RMS Phase Jitter (random) | T_phj | – | 0.31 | 0.46 | ps | F_nom = 19.2 MHz, Integration bandwidth = 12 kHz to 5 MHz |
| | | – | 0.31 | 0.50 | ps | F_nom = 60 MHz, Integration bandwidth = 12 kHz to 20 MHz |
| Phase Noise | | | | | | |
| 1 Hz offset | | – | -74 | -68 | dBc/Hz | F_nom = 19.2 MHz TCXO and DCTCXO modes, and VCTCXO mode with ±6.25 ppm pull range |
| 10 Hz offset | | – | -102 | -97 | dBc/Hz | |
| 100 Hz offset | | – | -121 | -117 | dBc/Hz | |
| 1 kHz offset | | – | -142 | -140 | dBc/Hz | |
| 10 kHz offset | | – | -148 | -146 | dBc/Hz | |
| 100 kHz offset | | – | -149 | -145 | dBc/Hz | |
| 1 MHz offset | | – | -162 | -158 | dBc/Hz | |
| 5 MHz offset | | – | -164 | -159 | dBc/Hz | |
| Spurious | T_spur | – | -109 | -103 | dBc | F_nom = 19.2 MHz, 1 kHz to 5 MHz offsets |

Table 8. Absolute Maximum Limits

Attempted operation outside the absolute maximum ratings may cause permanent damage to the part. Actual performance of the IC is only guaranteed within the operational specifications, not at absolute maximum ratings.

| Parameter | Test Conditions | Value | Unit |
|--|-----------------|------------|------|
| Storage Temperature | | -65 to 125 | °C |
| Continuous Power Supply Voltage Range (Vdd) | | -0.5 to 4 | V |
| Human Body Model (HBM) ESD Protection | JESD22-A114 | 2000 | V |
| Soldering Temperature (follow standard Pb-free soldering guidelines) | | 260 | °C |
| Junction Temperature ^[4] | | 130 | °C |

Note:

4. Exceeding this temperature for an extended period of time may damage the device.

Table 9. Thermal Considerations^[5]

| Package | θ_{JA} (°C/W) | $\theta_{JC, Bottom}$ (°C/W) |
|-----------------------------------|-------------------------|---------------------------------|
| Ceramic 5.0 x 3.2 mm ² | 54 | 15 |

Note:

5. Measured in still air.

Table 10. Maximum Operating Junction Temperature^[6]

| Max Operating Temperature (ambient) | Maximum Operating Junction Temperature |
|-------------------------------------|--|
| 70°C | 80°C |
| 85°C | 95°C |
| 105°C | 115°C |

Note:

6. Datasheet specifications are not guaranteed if junction temperature exceeds the maximum operating junction temperature.

Table 11. Environmental Compliance

| Parameter | Test Conditions | Value | Unit |
|---------------------------------|---------------------------|-------|----------|
| Mechanical Shock Resistance | MIL-STD-883F, Method 2002 | 10000 | <i>g</i> |
| Mechanical Vibration Resistance | MIL-STD-883F, Method 2007 | 70 | <i>g</i> |
| Temperature Cycle | JESD22, Method A104 | – | – |
| Solderability | MIL-STD-883F, Method 2003 | – | – |
| Moisture Sensitivity Level | MSL1 @260°C | – | – |

Device Configurations and Pin-outs

Table 12. Device Configurations

| Configuration | Pin 1 | Pin 5 | I ² C Programmable Parameters |
|---------------|-------|-------|--|
| TCXO | OE/NC | NC | – |
| VCTCXO | VC | NC | – |
| DCTCXO | OE/NC | A0/NC | Frequency Pull Range, Frequency Pull Value, Output Enable control. |

Pin-out Top Views

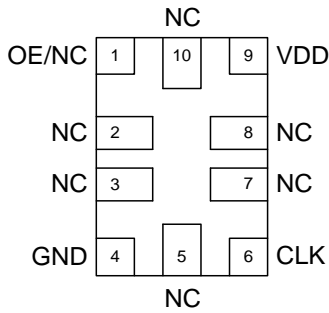


Figure 3. TCXO

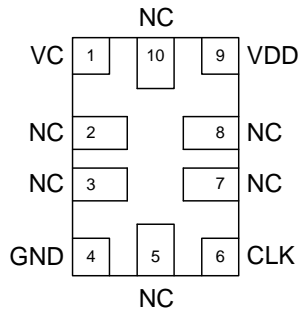


Figure 4. VCTCXO

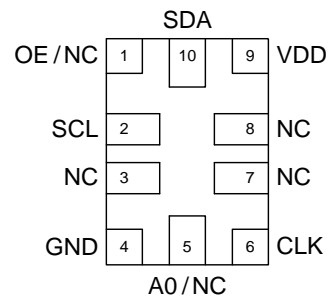


Figure 5. DCTCXO

Table 13. Pin Description

| Pin | Symbol | I/O | Internal Pull-up/Pull Down Resistor | Function |
|-----|-------------------------|--------------------------------|-------------------------------------|--|
| 1 | OE/NC/VC | OE – Input | 100 kΩ Pull-Up | H ^[7] : specified frequency output L: output is high impedance. Only output driver is disabled. |
| | | NC ^[8] – No Connect | – | H or L or Open: No effect on output frequency or other device functions |
| | | VC – Input | – | Control Voltage in VCTCXO Mode |
| 2 | SCL / NC ^[8] | SCL – Input | 200 kΩ Pull-Up | I ² C serial clock input. |
| | | No Connect | – | H or L or Open: No effect on output frequency or other device functions |
| 3 | NC ^[8] | No Connect | – | H or L or Open: No effect on output frequency or other device functions |
| 4 | GND | Power | – | Connect to ground |
| 5 | A0 / NC ^[8] | A0 – Input | 100 kΩ Pull-Up | Device I ² C address when the address selection mode is via the A0 pin. This pin is NC when the I ² C device address is specified in the ordering code. <u>A0 Logic Level</u> <u>I²C Address</u> 0 1100010 1 1101010 |
| | | NC – No Connect | – | H or L or Open: No effect on output frequency or other device functions. |
| 6 | CLK | Output | – | LVC MOS, or clipped sinewave oscillator output |
| 7 | NC ^[8] | No Connect | – | H or L or Open: No effect on output frequency or other device functions |
| 8 | NC ^[8] | No Connect | – | H or L or Open: No effect on output frequency or other device functions |
| 9 | VDD | Power | – | Connect to VDD ^[8] |
| 10 | SDA / NC ^[8] | SDA – Input/Output | 200 kΩ Pull Up | I ² C Serial Data. |
| | | NC – No Connect | – | H or L or Open: No effect on output frequency or other device functions. |

Notes:

- In OE mode for noisy environments, a pull-up resistor of 10 kΩ or less is recommended if pin 1 is not externally driven. If pin 1 needs to be left floating, use the NC option.
- A 0.1 μF capacitor in parallel with a 10 μF capacitor are required between Vdd and GND. The 0.1 μF capacitor is recommended to place close to the device, and place the 10 μF capacitor less than 2 inches away.
- All NC pins can be left floating and do not need to be soldered down.

Test Circuit Diagrams for LVCMOS and Clipped Sinewave Outputs

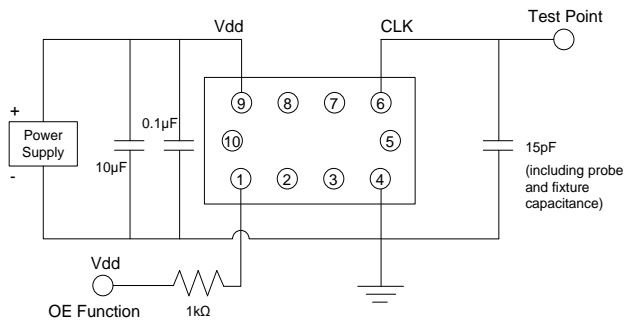


Figure 6. LVCMOS Test Circuit (OE Function)

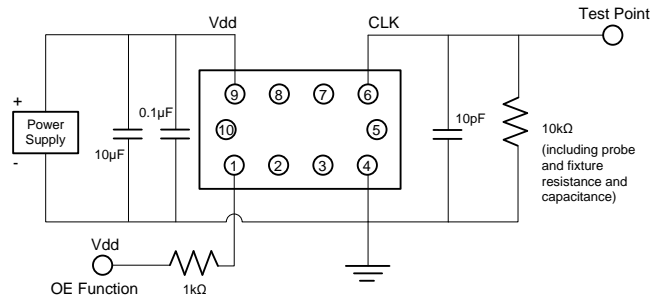


Figure 7. Clipped Sinewave Test Circuit (OE Function) for AC and DC Measurements

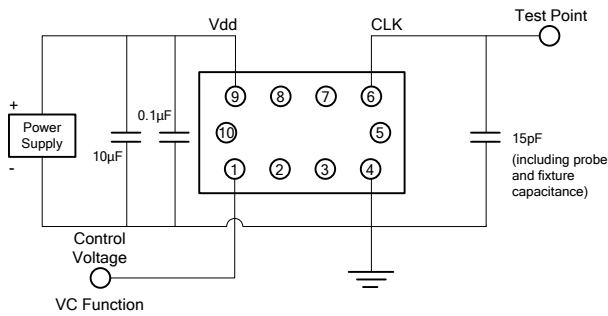


Figure 8. LVCMOS Test Circuit (VC Function)

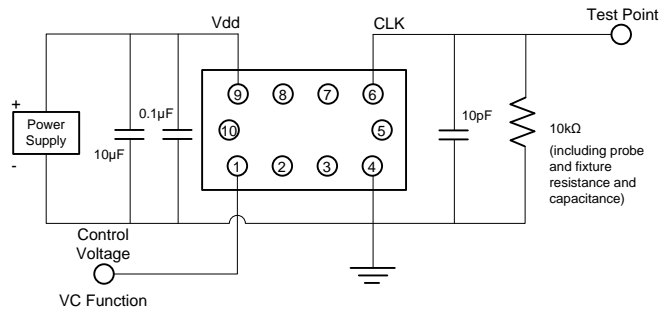


Figure 9. Clipped Sinewave Test Circuit (VC Function) for AC and DC Measurements

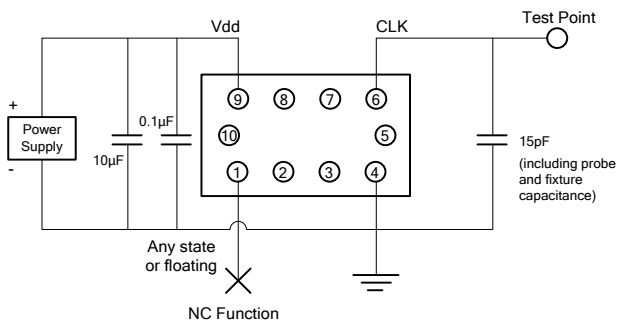


Figure 10. LVCMOS Test Circuit (NC Function)

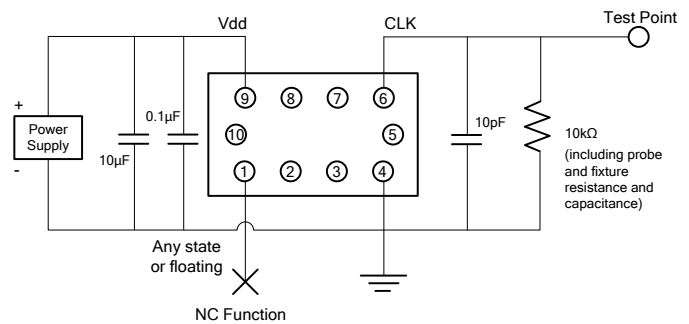


Figure 11. Clipped Sinewave Test Circuit (NC Function) for AC and DC Measurements

Test Circuit Diagrams for LVCMOS and Clipped Sinewave Outputs (continued)

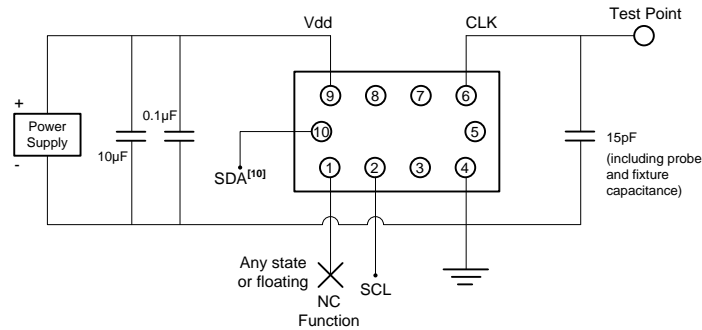


Figure 12. LVCMOS Test Circuit (I²C Control), DCTCXO mode

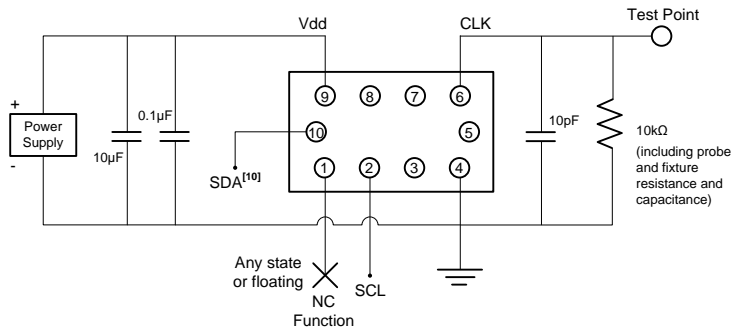


Figure 13. Clipped Sinewave Test Circuit (I²C Control), DCTCXO mode for AC and DC Measurements

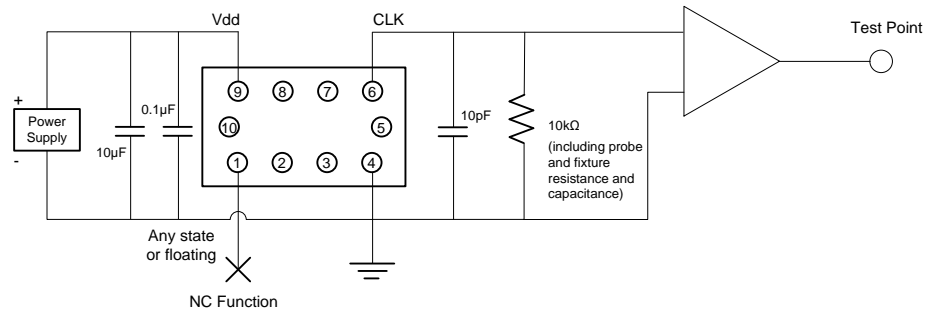


Figure 14. Clipped Sinewave Test Circuit for Phase Noise Measurements, Applies to All Configurations (NC Function shown for example only)

Note:

10. SDA is open-drain and may require pull-up resistor if not present in I²C test setup.

Waveforms

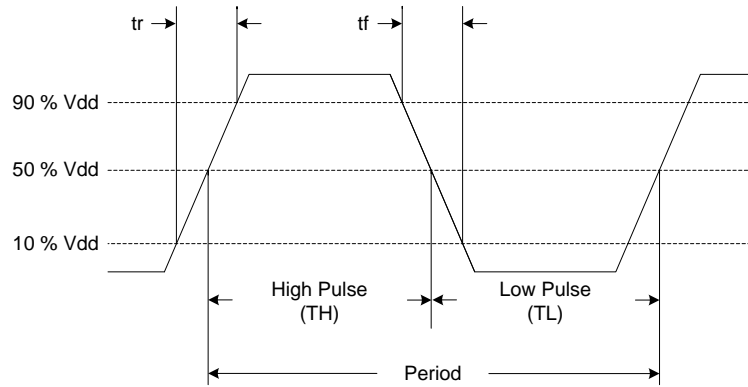


Figure 15. LVC MOS Waveform Diagram^[11]

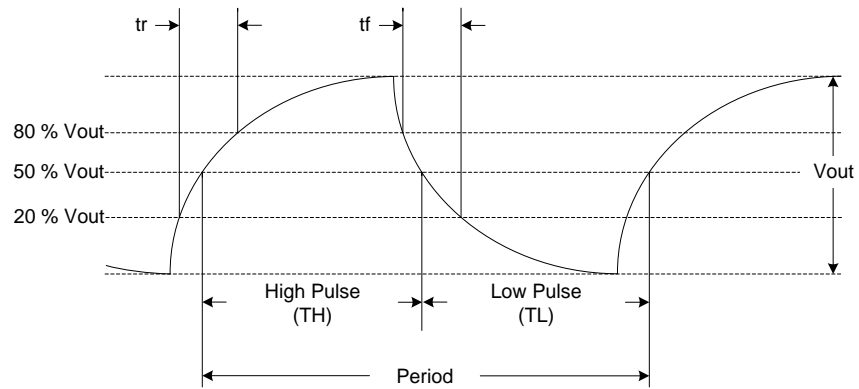
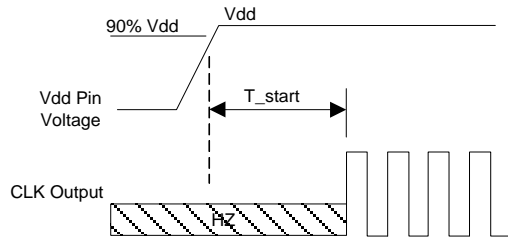


Figure 16. Clipped Sinewave Waveform Diagram^[11]

Note:

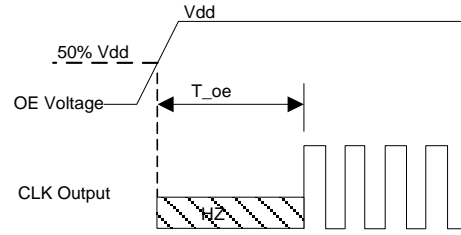
11. Duty Cycle is computed as $\text{Duty Cycle} = \text{TH}/\text{Period}$.

Timing Diagrams



T_start: Time to start from power-off

Figure 17. Startup Timing



T_oe: Time to re-enable the clock output

Figure 18. OE Enable Timing (OE Mode Only)

Typical Performance Plots

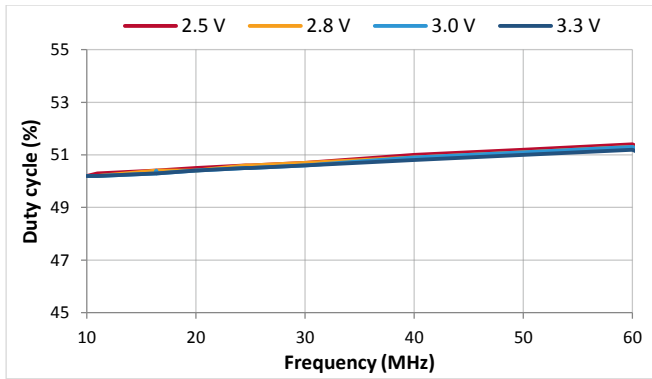


Figure 19. Duty Cycle (LVCMOS)

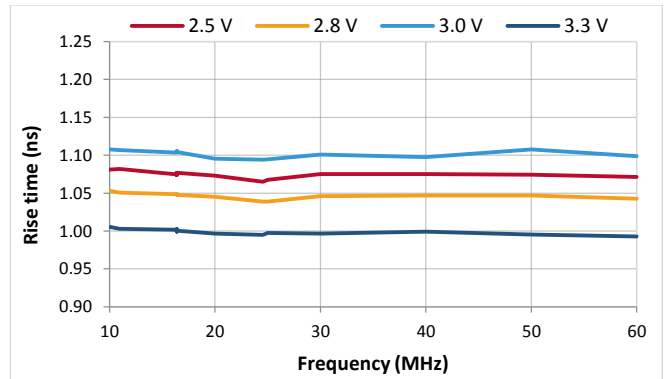


Figure 20. Rise Time (LVCMOS)

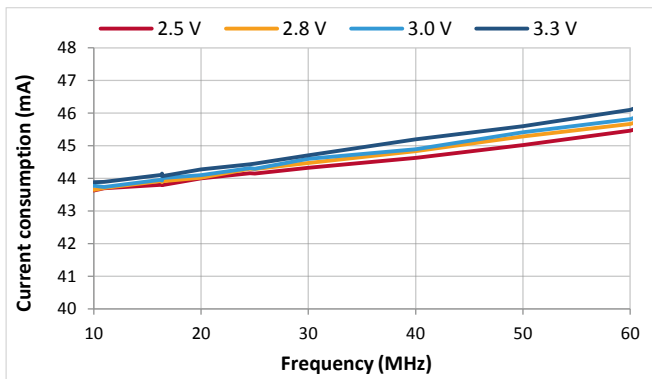


Figure 21. IDD TCXO (LVCMOS)

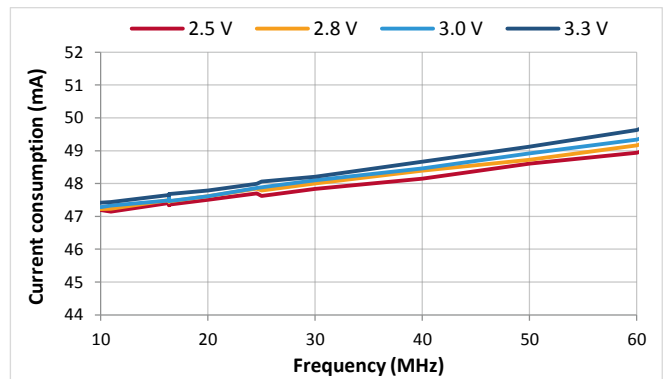


Figure 22. IDD VCTCXO (LVCMOS)

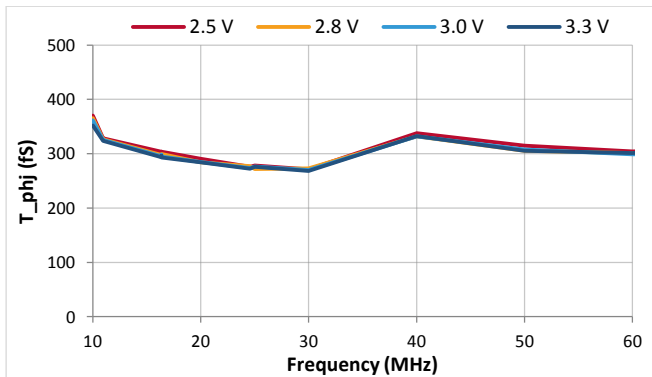


Figure 23. T_phj, RMS Random, (DC)TCXO (LVCMOS)

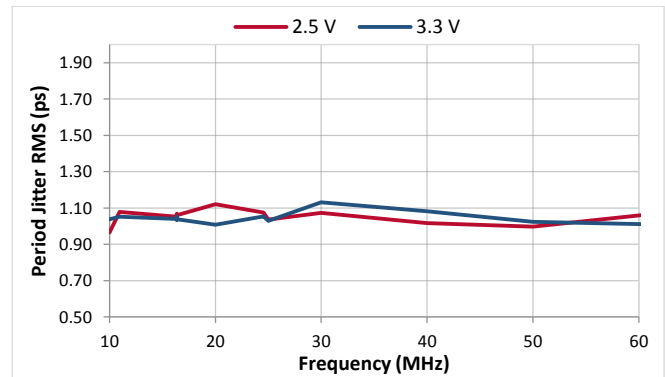


Figure 24. Period Jitter, RMS (LVCMOS)

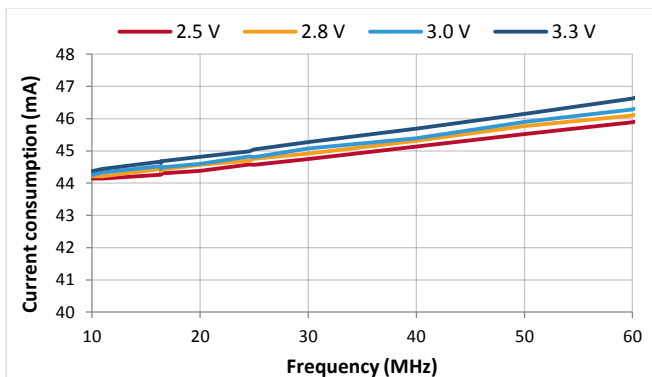


Figure 25. IDD DCTCXO (LVCMOS)

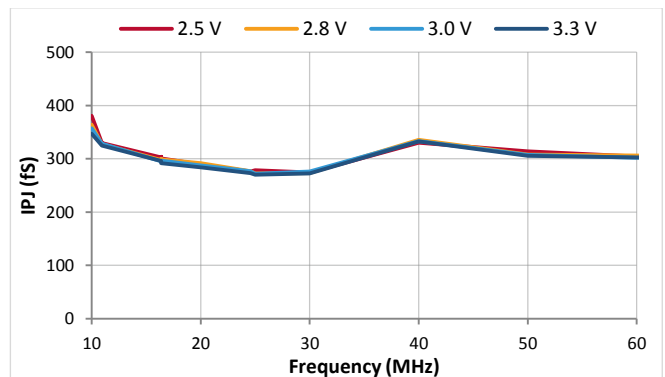


Figure 26. T_phj, RMS Random, VCTCXO (LVCMOS)

Typical Performance Plots (continued)

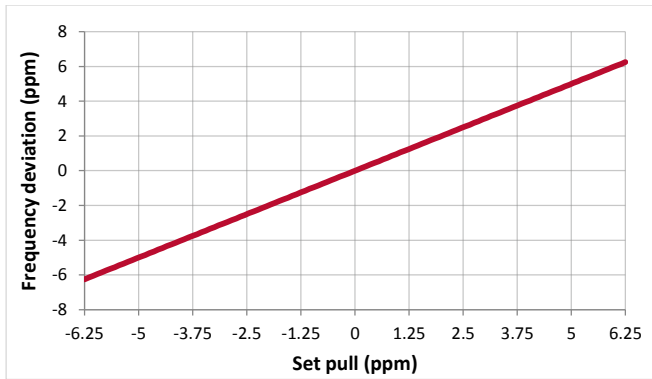


Figure 27. DCTCXO frequency pull characteristic

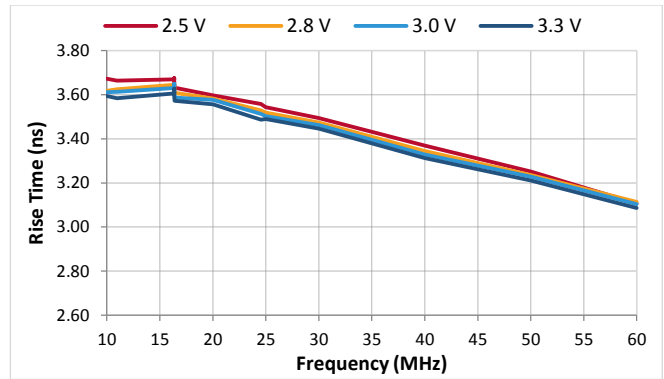


Figure 28. Rise Time (Clipped Sinewave)

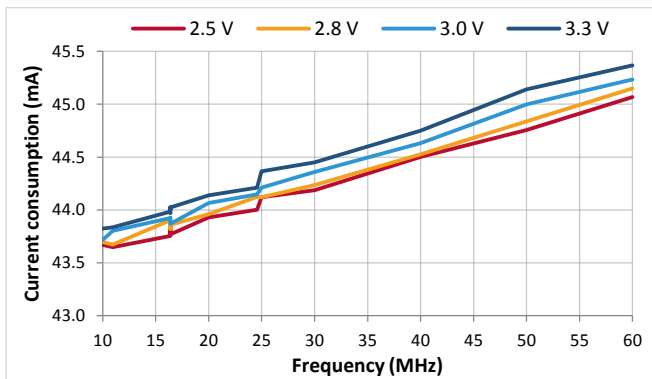


Figure 29. IDD TCXO (Clipped Sinewave)

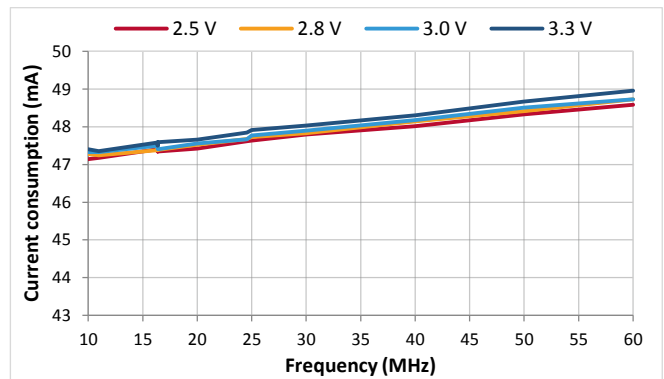


Figure 30. IDD VCTCXO (Clipped Sinewave)

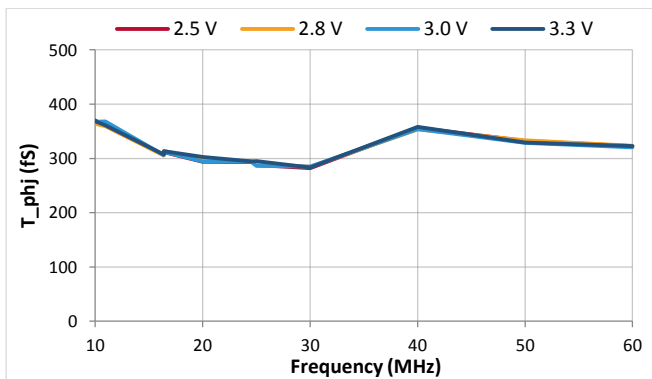


Figure 31. T_{phj}, RMS Random, (DC)TCXO (Clipped Sine)

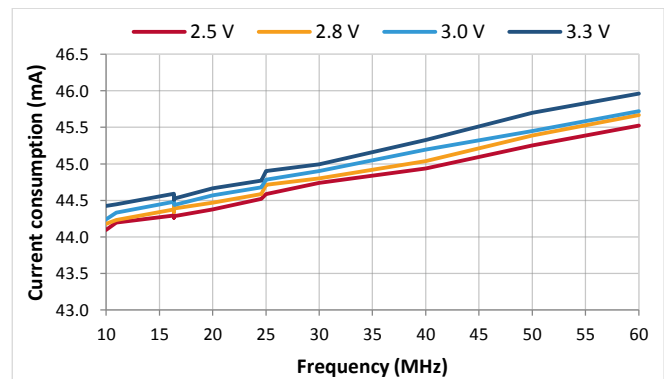


Figure 32. IDD DCTCXO (Clipped Sinewave)

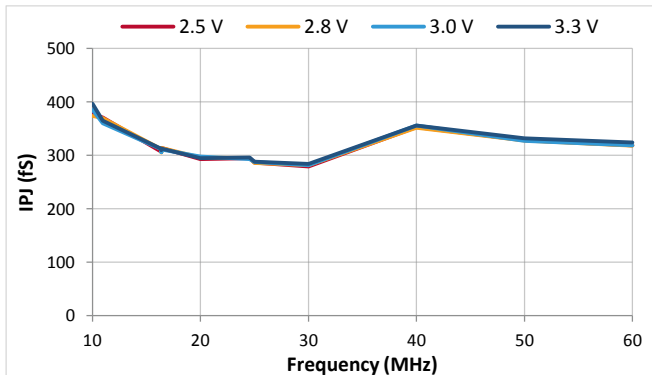


Figure 33. T_{phj}, RMS Random, VCTCXO (Clipped Sine)

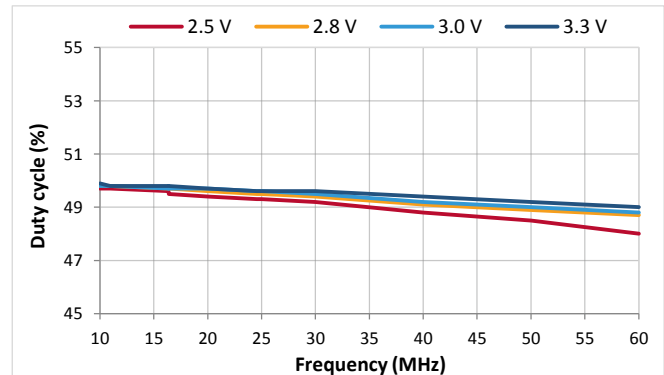


Figure 34. Duty Cycle (Clipped Sinewave)

Architecture Overview

Based on SiTime’s innovative Elite Platform™, the SiT5156 delivers exceptional dynamic performance, i.e. resilience to environmental stressors such as shock, vibration, and fast temperature transients. Underpinning the Elite platform are SiTime’s unique DualMEMS™ temperature sensing architecture and TurboCompensation™ technologies.

DualMEMS is a noiseless temperature compensation scheme. It consists of two MEMS resonators fabricated on the same die substrate. The TempFlat™ resonator is designed with a flat frequency characteristic over temperature whereas the temperature sensing resonator is by design sensitive to temperature changes. The ratio of frequencies between these two resonators provides an accurate reading of the resonator temperature with 20 μ K resolution.

By placing the two MEMS resonators on the same die, this temperature sensing scheme eliminates any thermal lag and gradients between resonator and temperature sensor, thereby overcoming an inherent weakness of legacy quartz TCXOs.

The DualMEMS temperature sensor drives a state-of-the-art CMOS temperature compensation circuit. The TurboCompensation design, with >100 Hz compensation bandwidth, achieves a dynamic frequency stability that is far superior to any quartz TCXO. The digital temperature compensation enables additional optimization of frequency stability and frequency slope over temperature within any chosen temperature range for a given system design.

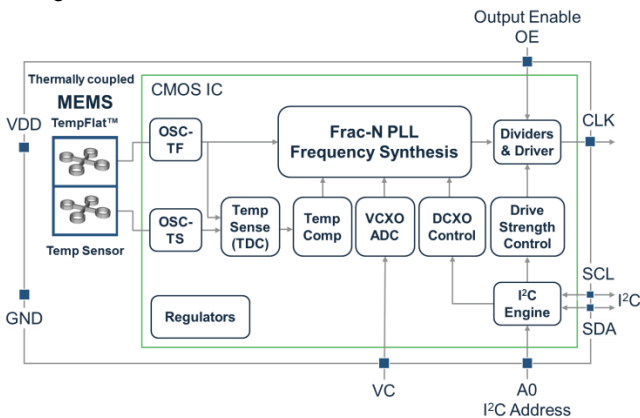


Figure 35. Elite Architecture

The Elite platform also incorporates a high resolution, low noise frequency synthesizer along with the industry standard I²C bus. This unique combination enables system designers to digitally control the output frequency in steps as low as 5 ppt and over a wide range up to ± 3200 ppm.

For more information regarding the Elite platform and its benefits please visit:

- [SiTime's breakthroughs](#) section
- TechPaper: [DualMEMS Temperature Sensing Technology](#)
- TechPaper: [DualMEMS Resonator TDC](#)

Functional Overview

The SiT5156 is designed for maximum flexibility with an array of factory programmable options, enabling system designers to configure this precision device for optimal performance in a given application.

Frequency Stability

The SiT5156 comes in three factory-trimmed stability grades.

Table 14. Stability Grades vs. Ordering Codes

| Frequency Stability Over Temperature | Ordering Code |
|--------------------------------------|---------------|
| ± 0.5 ppm | K |
| ± 1.0 ppm | A |
| ± 2.5 ppm | D |

Output Frequency and Format

The SiT5156 can be factory programmed for an output frequency without sacrificing lead time or incurring an upfront customization cost typically associated with custom-frequency quartz TCXOs.

The device supports both LVCMOS and clipped sinewave output. Ordering codes for the output format are shown below:

Table 15. Output Formats vs. Ordering Codes

| Output Format | Ordering Code |
|------------------|---------------|
| LVCMOS | “-“ |
| Clipped Sinewave | “C” |

Output Frequency Tuning

In addition to the non-pullable TCXO, the SiT5156 can also support output frequency tuning through either an analog control voltage (VCTCXO), or I²C interface (DCTCXO). The I²C interface enables 16 factory programmed pull-range options from ± 6.25 ppm to ± 3200 ppm. The pull range can also be reprogrammed via I²C to any supported pull-range value.

Refer to [Device Configuration](#) section for details.

Pin 1 Configuration (OE, VC, or NC)

Pin 1 of the SiT5156 can be factory programmed to support three modes: Output Enable (OE), Voltage Control (VC), or No Connect (NC).

Table 16. Pin Configuration Options

| Pin 1 Configuration | Operating Mode | Output |
|---------------------|----------------|------------------|
| OE | TCXO/DCTCXO | Active or High-Z |
| NC | TCXO/DCTCXO | Active |
| VC | VCTCXO | Active |

When pin 1 is configured as OE pin, the device output is guaranteed to operate in one of the following two states:

- Clock output with the frequency specified in the part number when Pin 1 is pulled to logic high
- Hi-Z mode with weak pull down when pin 1 is pulled to logic low.

When pin 1 is configured as NC, the device is guaranteed to output the frequency specified in the part number at all times, regardless of the logic level on pin 1.

In the VCTCXO configuration, the user can fine-tune the output frequency from the nominal frequency specified in the part number by varying the pin 1 voltage. The guaranteed allowable variation of the output frequency is specified as pull range. A VCTCXO part number must contain a valid pull-range ordering code.

Device Configurations

The SiT5156 supports 3 device configurations – TCXO, VCTCXO, and DCTCXO. The TCXO and VCTCXO options are directly compatible with the quartz TCXO and VCTCXO. The DCTCXO configuration provides performance enhancement by eliminating VCTCXO’s sensitivity to control voltage noise with an I²C digital interface for frequency tuning.

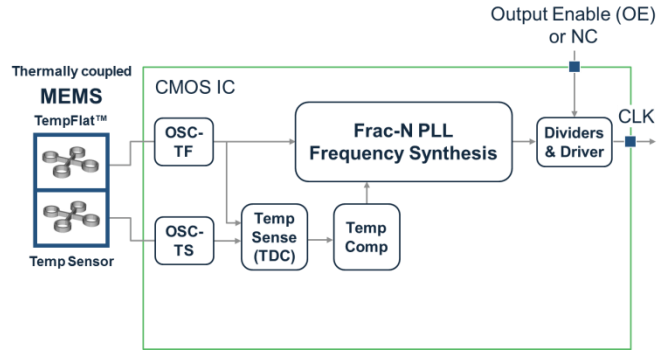


Figure 36. Block Diagram – TCXO

TCXO Configuration

The TCXO configuration generates a fixed frequency output, as shown in Figure 36. The frequency is specified by the user in the frequency field of the device ordering code and then factory programmed. Other factory programmable options include supply voltage, output types (LVCMOS or clipped sinewave), and pin 1 functionality (OE or NC).

Refer to the [Ordering Information](#) section at the end of the datasheet for a list of all ordering options.

VCTCXO Configuration

A VCTCXO, shown in [Figure 37](#), is a frequency control device whose output frequency is an approximately linear function of control voltage applied to the voltage control pin. VCTCXOs have a number of use cases including the VCO portion of a jitter attenuation/jitter cleaner PLL Loop.

The SiT5156 achieves a 10x better pull range linearity of $<0.5\%$ via a high-resolution fractional PLL compared with 5% to 10% typical of quartz VCTCXOs that rely on pulling a resonator. By contrast, quartz-based VCTCXOs change output frequency by varying the capacitive load of a crystal resonator using varactor diodes, which results in poor linearity.

Note that the output frequency of the VCTCXO is proportional to the analog control voltage applied to pin 1. Because this control signal is analog and directly controls the output frequency, care must be taken to minimize noise on this pin.

The nominal output frequency is factory programmed per the customer's request to 6 digits of precision and is defined as the output frequency when the control voltage equals $V_{dd}/2$. The maximum output frequency variation from this nominal value is set by the pull range, which is also factory programmed to the customer's desired value and specified by the ordering code. The [Ordering Information](#) section shows all ordering options and associated ordering codes.

Refer to [VCTCXO-Specific Design Considerations](#) for more information on critical VCTCXO parameters including pull range linearity, absolute pull range, control voltage bandwidth, and K_v .

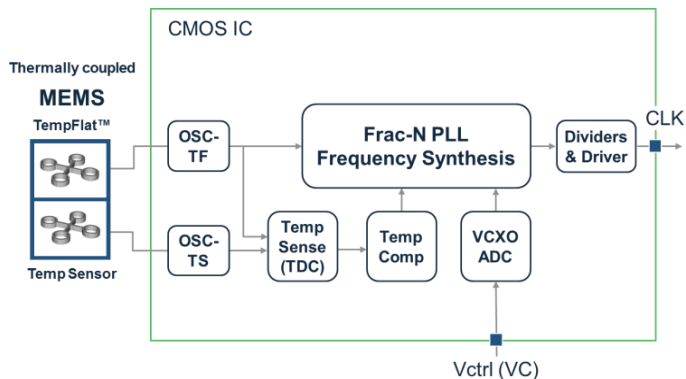


Figure 37. Block Diagram – VCTCXO

DCTCXO Configuration

The SiT5156 offers digital control of the output frequency, as shown in Figure 38. The output frequency is controlled by writing frequency control words over the I²C interface.

There are several advantages of DCTCXOs relative to VCTCXOs:

- 1) Frequency control resolution as low as 5 ppt. This high resolution minimizes accumulated time error in synchronization applications.
- 2) Lower system cost – A VCTCXO may need a Digital to Analog Converter (DAC) to drive the control voltage input. In a DCTCXO, the frequency control is achieved digitally by register writes to the control registers via I²C, thereby eliminating the need for a DAC.
- 3) Better noise immunity – The analog signal used to drive the voltage control pin of a VCTCXO can be sensitive to noise, and the trace over which the signal is routed can be susceptible to noise coupling from the system. The DCTCXO does not suffer from analog noise coupling since the frequency control is performed digitally through I²C.

- 4) No frequency-pull non-linearity – The frequency pulling is achieved via fractional feedback divider of the PLL, eliminating any pull non-linearity concerns typical of quartz-based VCTCXOs. This improves dynamic performance in closed-loop applications.
- 5) Programmable wide pull range – The DCTCXO pulling mechanism is via the fractional feedback divider and is therefore not constrained by resonator pullability as in quartz-based solutions. The SiT5156 offers 16 frequency pull-range options from ± 6.25 ppm to ± 3200 ppm, providing system designers great flexibility.

Refer to [DCTCXO-Specific Design Considerations](#) for more information on critical DCTCXO parameters including pull range, absolute pull range, frequency output, and I²C control registers.

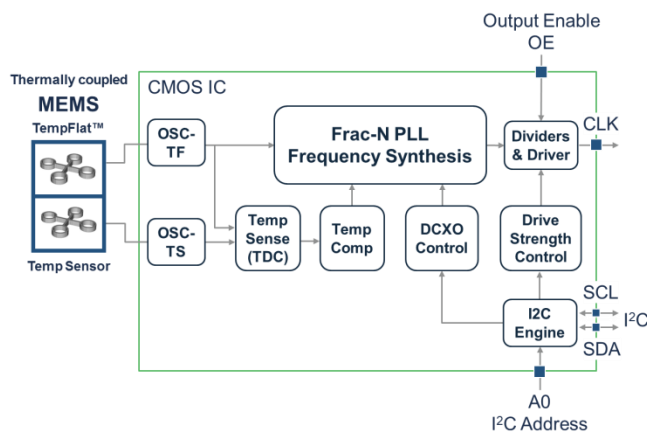


Figure 38. Block Diagram

VCTCXO-Specific Design Considerations

Linearity

In any VCTCXO, there will be some deviation of the frequency-voltage (FV) characteristic from an ideal straight line. Linearity is the ratio of this maximum deviation to the total pull range, expressed as a percentage. Figure 39 below shows the typical pull linearity of a SiTime VCTCXO. The linearity is excellent (1% maximum) relative to most quartz offerings because the frequency pulling is achieved with a PLL rather than varactor diodes.

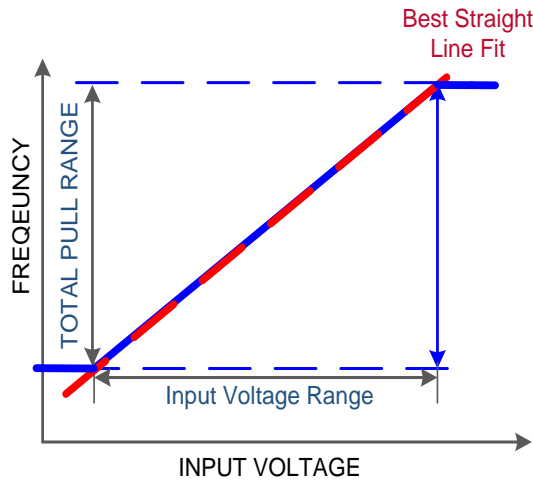


Figure 39. Typical SiTime VCTCXO Linearity

Control Voltage Bandwidth

Control voltage bandwidth, sometimes called “modulation rate” or “modulation bandwidth”, indicates how fast a VCO can respond to voltage changes at its input. The ratio of the output frequency variation to the input voltage variation, previously denoted by K_V , has a low-pass characteristic in most VCTCXOs. The control voltage bandwidth equals the modulating frequency where the output frequency deviation equals 0.707 (e.g. -3 dB) of its DC value, for DC inputs swept in the same voltage range.

For example, a part with a ±6.25 ppm pull range and a 0-3V control voltage can be regarded as having an average K_V of 4.17 ppm/V (12.5 ppm/3V = 4.17 ppm/V). Applying an input of 1.5V DC ± 0.5V (1.0 V to 2.0V) causes an output frequency change of 4.17 ppm (±2.08 ppm). If the control voltage bandwidth is specified as 10 kHz, the peak-to-peak value of the output frequency change will be reduced to 4.33 ppm/√2 or 2.95 ppm, as the frequency of the control voltage change is increased to 10 kHz.

FV Characteristic Slope K_V

The slope of the FV characteristic is a critical design parameter in many low bandwidth PLL applications. The slope is the derivative of the FV characteristic – the deviation of frequency divided by the control voltage change needed to produce that frequency deviation, over a small voltage span, as shown below:

$$K_V = \frac{\Delta f_{out}}{\Delta V_{in}}$$

It is typically expressed in kHz/Volt, MHz/Volt, ppm/Volt, or similar units. This slope is usually called “ K_V ” based on terminology used in PLL designs.

The extreme linear characteristic of the SiTime SiT5156 VCTCXO family means that there is very little K_V variation across the whole input voltage range (typically <1%), significantly reducing the design burden on the PLL designer. Figure 40 below illustrates the typical K_V variation.

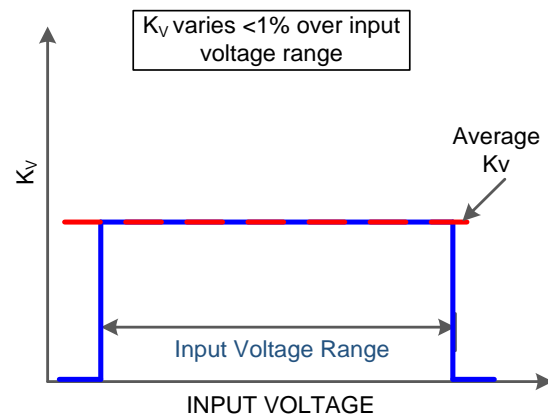


Figure 40. Typical SiTime K_V Variation

Pull Range, Absolute Pull Range

Pull range (PR) is the amount of frequency deviation that will result from changing the control voltage over its maximum range under nominal conditions.

Absolute pull range (APR) is the guaranteed controllable frequency range over all environmental and aging conditions. Effectively, it is the amount of pull range remaining after taking into account frequency stability, tolerances over variables such as temperature, power supply voltage, and aging, i.e.:

$$APR = PR - F_{\text{stability}} - F_{\text{aging}}$$

where $F_{\text{stability}}$ is the device frequency stability due to initial tolerance and variations on temperature, power supply, and load.

Figure 41 shows a typical SiTime VCTCXO FV characteristic. The FV characteristic varies with conditions, so that the frequency output at a given input voltage can vary by as much as the specified frequency stability of the VCTCXO. For such VCTCXOs, the frequency stability and APR are independent of each other. This allows very wide range of pull options without compromising frequency stability.

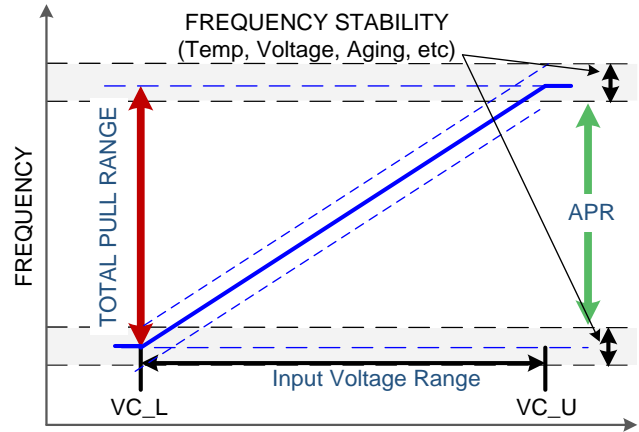


Figure 41. Typical SiTime VCTCXO FV Characteristic

The upper and lower control voltages are the specified limits of the input voltage range as shown in Figure 41 above. Applying voltages beyond the upper and lower voltages do not result in noticeable changes of output frequency. In other words, the FV characteristic of the VCTCXO saturates beyond these voltages. Figures 1 and 2 show these voltages as Lower Control Voltage (VC_L) and Upper Control Voltage (VC_U).

Table 17 below shows the pull range and corresponding APR values for each of the frequency vs. temperature ordering options.

Table 17. VCTCXO Pull Range, APR Options^{12]} Typical unless specified otherwise. Pull range (PR) is ±6.25 ppm.

| Pull Range Ordering Code | Device Option(s) | APR ppm ±0.5 ppm option ±2 ppm 20-year aging | APR ppm ±1.0 ppm option ±2 ppm 20-year aging | APR ppm ±2.5 ppm option ±2 ppm 20-year aging |
|--------------------------|------------------|--|--|--|
| T | VCTCXO | ±2.75 | ±2.25 | ±0.7 |

Notes:

12. APR includes initial tolerance, frequency stability vs. temperature, and the corresponding 20-year aging.

DCTCXO-Specific Design Considerations

Pull Range and Average Pull Range

Pull range and absolute pull range are described in the previous section. [Table 18](#) below shows the pull range and corresponding APR values for each of the frequency vs. temperature ordering options.

Table 18. APR Options^[13]

| Pull Range Ordering Code | Pull Range ppm | APR ppm ± 0.5 ppm option ± 2 ppm 20-year aging | APR ppm ± 1.0 ppm option ± 2 ppm 20-year aging | APR ppm ± 2.5 ppm option ± 2 ppm 20-year aging |
|--------------------------|----------------|--|--|--|
| T | ± 6.25 | ± 2.75 | ± 2.97 | ± 0.75 |
| R | ± 10 | ± 6.50 | ± 6.0 | ± 4.5 |
| Q | ± 12.5 | ± 9.0 | ± 8.5 | ± 7.0 |
| M | ± 25 | ± 21.5 | ± 21.0 | ± 19.5 |
| B | ± 50 | ± 46.5 | ± 46.0 | ± 44.5 |
| C | ± 80 | ± 76.5 | ± 76.0 | ± 74.5 |
| E | ± 100 | ± 96.5 | ± 96.0 | ± 94.5 |
| F | ± 125 | ± 126.5 | ± 121.0 | ± 119.5 |
| G | ± 150 | ± 146.5 | ± 146.0 | ± 144.5 |
| H | ± 200 | ± 196.5 | ± 196.0 | ± 194.5 |
| X | ± 400 | ± 396.5 | ± 396.0 | ± 394.5 |
| L | ± 600 | ± 596.5 | ± 596.0 | ± 594.5 |
| Y | ± 800 | ± 796.5 | ± 796.0 | ± 794.5 |
| S | ± 1200 | ± 1196.5 | ± 1196.0 | ± 1194.5 |
| Z | ± 1600 | ± 1596.5 | ± 1596.0 | ± 1594.5 |
| U | ± 3200 | ± 3196.5 | ± 3196.0 | ± 3194.5 |

Notes:

13. APR includes initial tolerance, frequency stability vs. temperature, and the corresponding 20-year aging.

Output Frequency

The device powers up at the nominal operating frequency and pull range specified by the ordering code. After power-up both pull range and output frequency can be controlled via I²C writes to the respective control registers. The maximum output frequency change is constrained by the pull range limits.

The pull range is specified by the value loaded in the digital pull-range control register. The 16 pull range choices are specified in the control register and range from ±6.25ppm to ±3200ppm.

Table 19 below shows the frequency resolution versus pull range programmed value

Table 19. Frequency Resolution versus Pull Range

| Programmed Pull Range | Frequency Resolution |
|-----------------------|-----------------------|
| ±6.25ppm | 5×10^{-12} |
| ±10ppm | 5×10^{-12} |
| ±12.5ppm | 5×10^{-12} |
| ±25ppm | 5×10^{-12} |
| ±50ppm | 5×10^{-12} |
| ±80ppm | 5×10^{-12} |
| ±100ppm | 5×10^{-12} |
| ±120ppm | 5×10^{-12} |
| ±150ppm | 5×10^{-12} |
| ±200ppm | 5×10^{-12} |
| ±400ppm | 1×10^{-11} |
| ±600ppm | 1.4×10^{-11} |
| ±800ppm | 2.1×10^{-11} |
| ±1200ppm | 3.2×10^{-11} |
| ±1600ppm | 4.7×10^{-11} |
| ±3200ppm | 9.4×10^{-11} |

The ppm frequency offset is specified by the 26 bit DCXO frequency control register in two's complement format as described in the I²C Register Descriptions. The power up default value is 000000000000000000000000b which sets the output frequency at its nominal value (0 ppm). To change the output frequency, a frequency control word is written to 0x00[15:0] (Least Significant Word) and 0x01[9:0] (Most Significant Word). The LSW value should be written first followed by the MSW value; the frequency change is initiated after the MSW value is written.

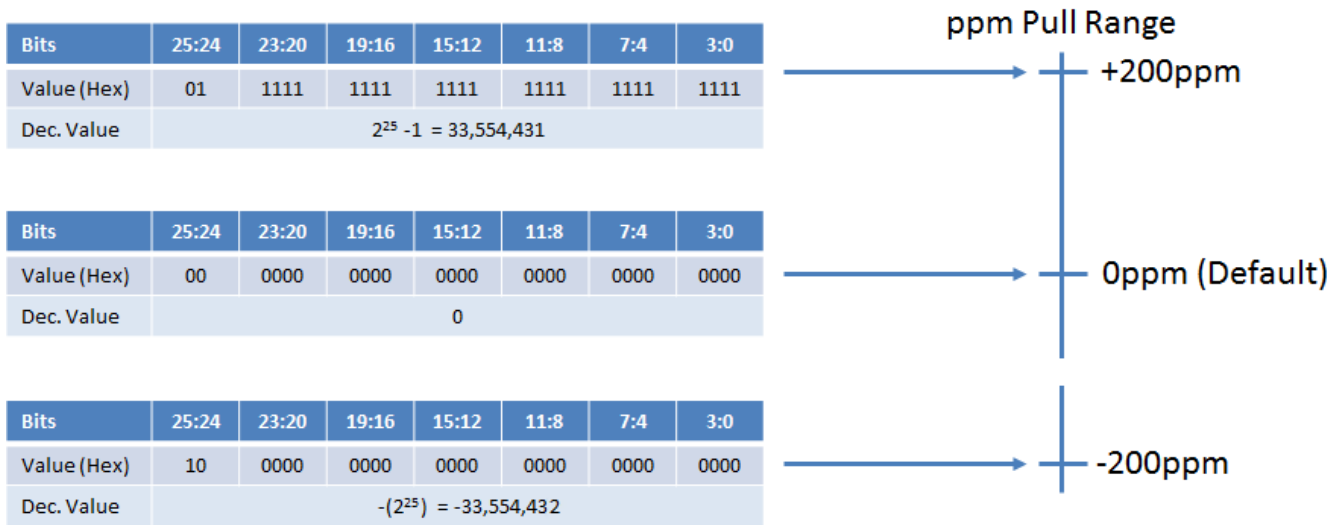


Figure 42. Pull Range and Frequency Control Word

Figure 42 shows how the two's complement signed value of the frequency control word sets the output frequency within the ppm pull range set by 0x02:[3:0]. This example shows use of the ±200 ppm pull range. Therefore, to set the desired output frequency, one just needs to calculate the fraction of full scale value ppm, convert to two's complement binary, and then write these values to the frequency control registers.

The following formula generates the control word value:

Control word value = $RND((2^{25}-1) \times \text{ppm shift from nominal/pull range})$, where RND is the rounding function which rounds the number to the nearest whole number. Two examples follow, assuming a ±200 ppm pull range:

Example 1:

- Default Output Frequency = 19.2 MHz
- Desired Output Frequency = 19.201728 MHz (+90 ppm)

$2^{25}-1$ corresponds to +200 ppm, and the fractional value required for +90 ppm can be calculated as follows.

- $90 \text{ ppm} / 200 \text{ ppm} \times (2^{25}-1) = 15,099,493.95$.

Rounding to the nearest whole number yields 15,099,494 and converting to two's complement gives a binary value of 111001100110011001100110, or E66666 in hex.

Example 2:

- Default Output Frequency = 10 MHz
- Desired Output Frequency = 9.998 MHz (-50 ppm)

Following the formula shown above,

- $(-50 \text{ ppm} / 200 \text{ ppm}) \times (2^{25}-1) = -8,388,607.75$.

Rounding this to the nearest whole number results in -8,388,608.

Converting this to two's complement binary results in 111000000000000000000000, or 3800000 in hex.

To summarize, the procedure for calculating the frequency control word associated with a given ppm offset is as follows:

- 1) Calculate the fraction of the half-pull range needed. For example, if the total pull range is set for ±100 ppm and a +20 ppm shift from the nominal frequency is needed, this fraction is 20 ppm/100 ppm = 0.2
- 2) Multiply this fraction by the full-half scale word value, $2^{25}-1 = 33,554,431$, round to the nearest whole number, and convert the result to two's complement binary. Following the +20ppm example, this value is $0.2 \times 33,554,431 = 6,710,886.2$ and rounded to 6,710,886.
- 3) Write the two's complement binary value starting with the Least Significant Word (LSW) 0x00[16:0], followed by the Most Significant Word (MSW), 0x01[9:0]. If the user desires that the output remains enabled while changing the frequency, a 1 must also be written to the OE control bit 0x01[10] if the device has software OE Control Enabled.

It is important to note that the maximum Digital Control update rate is 38 kHz regardless of I²C bus speed.

I²C Control Registers

The SiT5156 enables control of frequency pull range, frequency pull value, and Output Enable via I²C writes to the control registers. Table 20 below shows the register map summary, and detailed register descriptions follow.

Table 20. Register Map Summary

| Address | Bits | Access | Description |
|---------|---------|--------|--|
| 0x00 | [15:0] | RW | DIGITAL FREQUENCY CONTROL LEAST SIGNIFICANT WORD (LSW) |
| 0x01 | [15:11] | R | NOT USED |
| | [10] | RW | OE Control. This bit is only active if the output enable function is under software control. If the device is configured for hardware control using the OE pin, writing to this bit has no effect. |
| | [9:0] | RW | DIGITAL FREQUENCY CONTROL MOST SIGNIFICANT WORD (MSW) |
| 0x02 | [15:4] | R | NOT USED |
| | [3:0] | RW | DIGITAL PULL RANGE CONTROL |

Register Descriptions

Register Address: 0x00. Digital Frequency Control Least Significant Word (LSW)

| Bit | 15 | 14 | 13 | 12 | 11 | 10 | 9 | 8 | 7 | 6 | 5 | 4 | 3 | 2 | 1 | 0 |
|---------|--|----|----|----|----|----|----|----|----|----|----|----|----|----|----|----|
| Access | RW | RW | RW | RW | RW | RW | RW | RW | RW | RW | RW | RW | RW | RW | RW | RW |
| Default | 0 | 0 | 0 | 0 | 0 | 0 | 0 | 0 | 0 | 0 | 0 | 0 | 0 | 0 | 0 | 0 |
| Name | DIGITAL FREQUENCY CONTROL LEAST SIGNIFICANT WORD (LSW)[15:0] | | | | | | | | | | | | | | | |

| Bits | Name | Access | Description |
|------|--|--------|--|
| 15:0 | DIGITAL FREQUENCY CONTROL LEAST SIGNIFICANT WORD | RW | <p>Bits [15:0] are the lower 16 bits of the 26 bit FrequencyControlWord and are the Least Significant Word (LSW). The upper 10 bits are in register 0x01[9:0] and are the Most Significant Word (MSW). The lower 16 bits together with the upper 10 bits specify a 26-bit frequency control word.</p> <p>This power-up default values of all 26 bits are 0 which sets the output frequency at its nominal value. After power-up, the system can write to these two registers to pull the frequency across the pull range. The register values are two's complement to support positive and negative control values. The LSW value should be written before the MSW value because the frequency change is initiated when the new values are loaded into the MSW. More details and examples are discussed in the previous section.</p> |

Register Address: 0x01. OE Control, Digital Frequency Control Most Significant Word (MSW)

| Bit | 15 | 14 | 13 | 12 | 11 | 10 | 9 | 8 | 7 | 6 | 5 | 4 | 3 | 2 | 1 | 0 |
|---------|----------|----|----|----|----|----|---------------------------------|----|----|----|----|----|----|----|----|----|
| Access | R | R | R | R | R | RW | RW | RW | RW | RW | RW | RW | RW | RW | RW | RW |
| Default | 0 | 0 | 0 | 0 | 0 | 0 | 0 | 0 | 0 | 0 | 0 | 0 | 0 | 0 | 0 | 0 |
| Name | NOT USED | | | | | OE | DCXO FREQUENCY CONTROL[9:0] MSW | | | | | | | | | |

| Bits | Name | Access | Description |
|-------|---|--------|---|
| 15:11 | NOT USED | R | Bits [15:10] are read only and return all 0's when read. Writing to these bits has no effect. |
| 10 | OE Control | RW | Output Enable Software Control. Allows the user to enable and disable the output driver via I ² C. 0 = Output Disabled (Default) 1 = Output Enabled This bit is only active if the Output Enable function is under software control. If the device is configured for hardware control using the OE pin, writing to this bit has no effect. |
| 9:0 | DIGITAL FREQUENCY CONTROL MOST SIGNIFICANT WORD (MSW) | RW | Bits [9:0] are the upper 10 bits of the 26 bit FrequencyControlWord and are the Most Significant Word (MSW). The lower 16 bits are in register 0x00[15:0] and are the Least Significant Word (LSW). These lower 16 bits together with the upper 10 bits specify a 26-bit frequency control word. This power-up default values of all 26 bits are 0 which sets the output frequency at its nominal value. After power-up, the system can write to these two registers to pull the frequency across the pull range. The register values are two's complement to support positive and negative control values. The LSW value should be written before the MSW value because the frequency change is initiated when the new values are loaded into the MSW. More details and examples are discussed in the previous section. |

Register Address: 0x02. DIGITAL PULL RANGE CONTROL ^[14]

| Bit | 15 | 14 | 13 | 12 | 11 | 10 | 9 | 6 | 5 | 6 | 5 | 4 | 3 | 2 | 1 | 0 |
|---------|------|----|----|----|----|----|---|---|---|---|---|---|----------------------------|----|----|----|
| Access | R | R | R | R | R | R | R | R | R | R | R | R | RW | RW | RW | RW |
| Default | 0 | 0 | 0 | 0 | 0 | 0 | 0 | 0 | 0 | 0 | 0 | 0 | X | X | X | X |
| Name | NONE | | | | | | | | | | | | DIGITAL PULL RANGE CONTROL | | | |

Notes:

14. Default values are factory set but can be over-written after power-up.

| Bits | Name | Access | Description |
|------|----------------------------|--------|--|
| 15:4 | NONE | R | Bits [15:4] are read only and return all 0's when read. Writing to these bits has no effect. |
| 3:0 | DIGITAL PULL RANGE CONTROL | RW | <p>Sets the digital pull range of the DCXO. The table below shows the available pull range values and associated bit settings. The default value is factory programmed.</p> <p>Bit</p> <p>3 2 1 0</p> <p>0 0 0 0: ±6.25ppm 0 0 0 1: ±10ppm 0 0 1 0: ±12.5ppm 0 0 1 1: ±25ppm 0 1 0 0: ±50ppm 0 1 0 1: ±80ppm 0 1 1 0: ±100ppm 0 1 1 1: ±125ppm 1 0 0 0: ±150ppm 1 0 0 1: ±200ppm 1 0 1 0: ±400ppm 1 0 1 1: ±600ppm 1 1 0 0: ±800ppm 1 1 0 1: ±1200ppm 1 1 1 0: ±1600ppm 1 1 1 1: ±3200ppm</p> |

Serial Interface Configuration Description

The SiT5156 includes an I²C interface to access registers that control the DCTCXO frequency pull range, and frequency pull value. The SiT5156 I²C slave-only interface supports clock speeds up to 1 MHz. The SiT5156 I²C module is based on the I²C specification, UM1024 (Rev.6 April 4, 2014 of NXP Semiconductor).

Serial Signal Format

The SDA line must be stable during the high period of the SCL. SDA transitions are allowed only during SCL low level for data communication. Only one transition is allowed during the low SCL state to communicate one bit of data. [Figure 43](#) shows the detailed timing diagram.

An idle I²C bus state occurs when both SCL and SDA are not being driven by any master and are therefore in a logic HI state due to the pull up resistors. Every transaction begins with a START (S) signal and ends with a STOP (P) signal. A START condition is defined by a high to low transition on the SDA while SCL is high. A STOP condition is defined by a low to high transition on the SDA while SCL is high. START and STOP conditions are always generated by the master. This slave module also supports repeated START (Sr) condition which is same as START condition instead of STOP condition (the blue-color line shows repeated START in [Figure 44](#)).

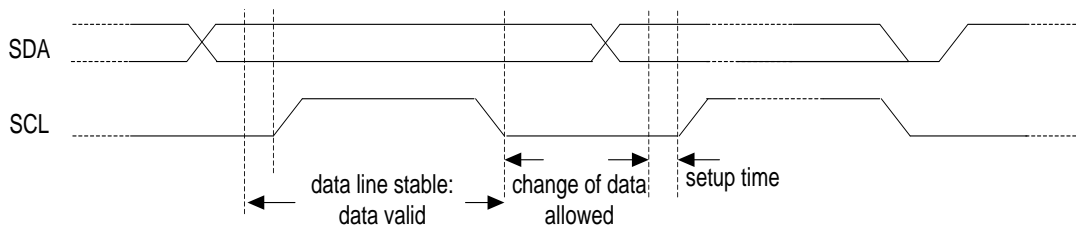


Figure 43. Data and clock timing relation in I²C bus

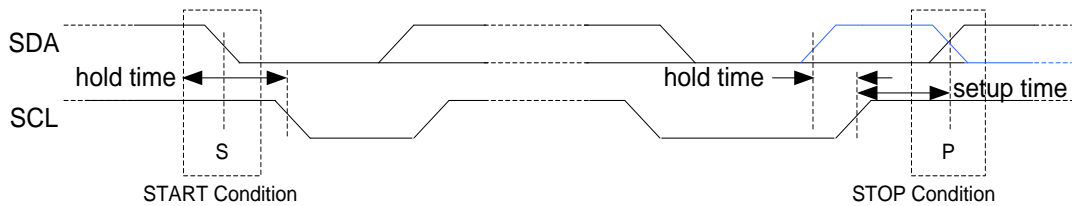


Figure 44. START and STOP (or repeated START, blue line) condition

Parallel Signal Format

Every data byte is 8 bits long. The number of bytes that can be transmitted per transfer is unrestricted. Data is transferred with the MSB (Most Significant Bit) first. The detailed data transfer format is shown in Figure 46 below.

The acknowledge bit must occur after every byte transfer and it allows the receiver to signal the transmitter that the byte was successfully received and another byte may be sent. The acknowledge signal is defined as follows: the transmitter releases the SDA line during the acknowledge clock pulse so the receiver can pull the SDA line low and it remains stable low during the high period of this clock pulse. Setup and hold times must also be taken into account. When SDA remains high during this ninth clock pulse, this is defined as the Not-Acknowledge signal (NACK). The master can then generate either a STOP condition to abort the transfer, or a repeated START condition to start a new transfer. The only condition that leads to the generation of NACK from the SiT5156 is when the transmitted address does not match the slave address. When the master is reading data from the SiT5156, the SiT5156 expects the ACK from the master at the end of received data, so that the slave releases the SDA line and the master can generate the STOP or repeated START. If there is a NACK signal at the end of the data, then the SiT5156 tries to send the next data. If the first bit of the next data is “0”, then the SiT5156 holds the SDA line to “0”, thereby blocking the master from generating a STOP/(re)START signal.

Parallel Data Format

This I²C slave module supports 7-bit device addressing format. The 8th bit is a read/write bit and “0” indicates a read transaction and a “1” indicates a write transaction. The register addresses are 8-bits long with an address range of 0 to 255 (00h to FFh). Auto address incrementing is supported which allows data to be transferred to contiguous addresses without the need to write each address beyond the first address. Since the maximum register address value is 255, the address will roll from 255 back to 0 when auto address incrementing is used. Obviously, auto address incrementing should only be used for writing to contiguous addresses. The data format is 16-bit (two bytes) with the most significant byte being transferred first.

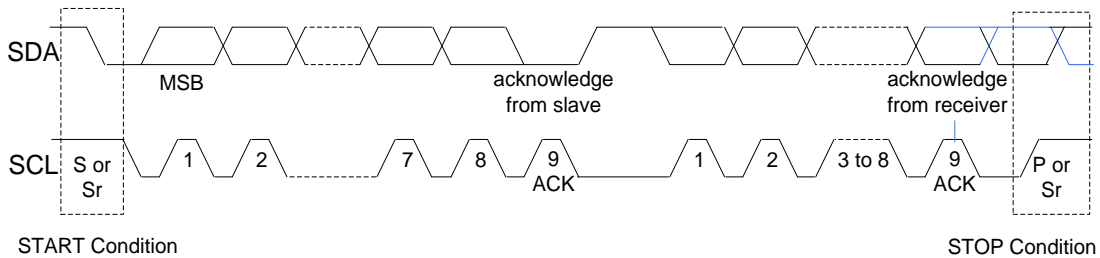


Figure 45. Parallel signaling format

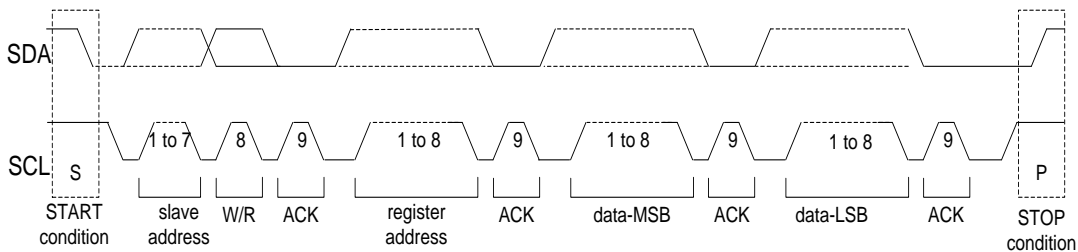


Figure 46. Parallel data byte format

Figure 47 below shows the I²C sequence for writing the 4-byte control word using auto address incrementing.

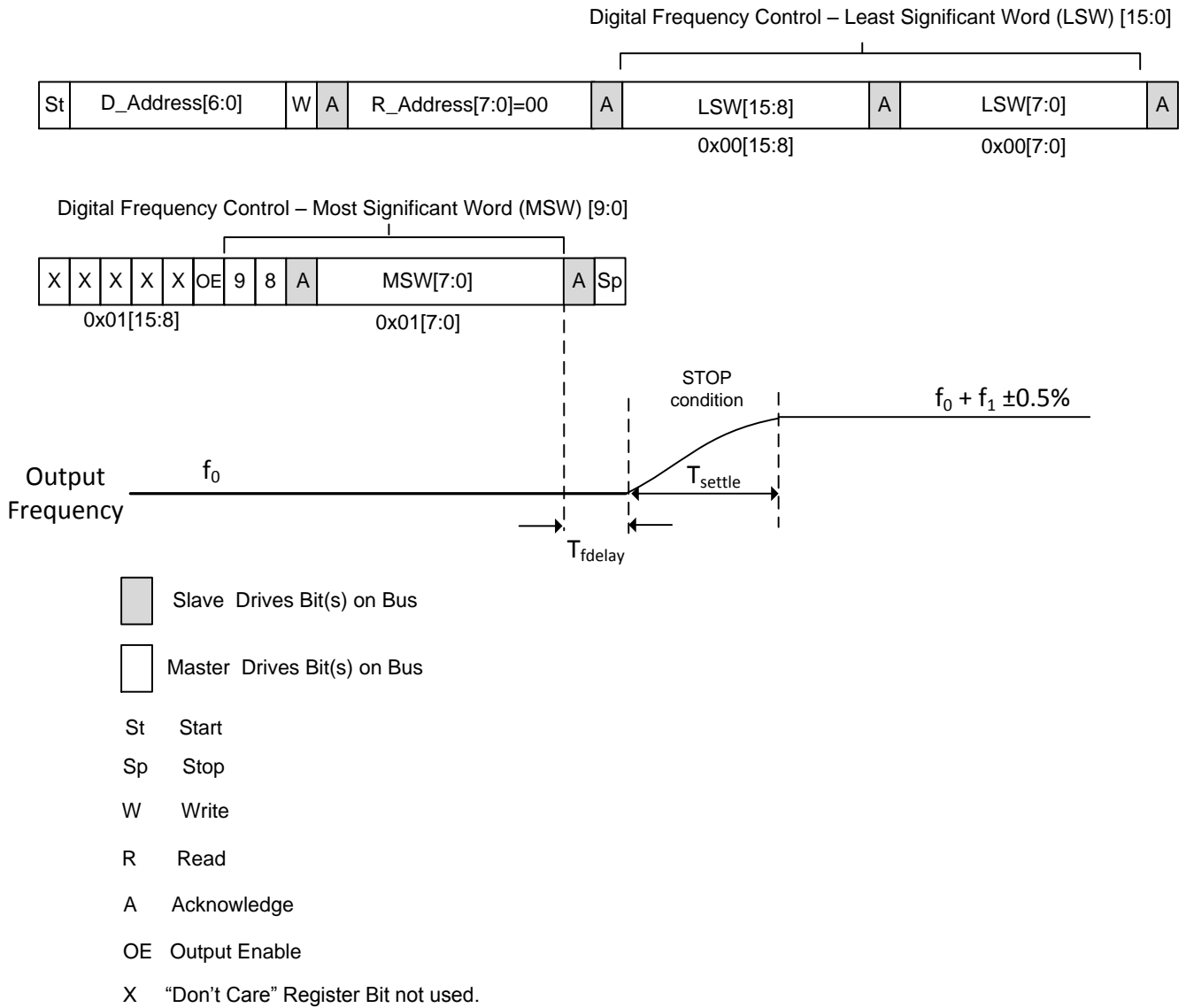


Figure 47. Writing the Frequency Control Word

Table 21. DCTCXO Delay and Settling Time

| Parameter | Symbol | Minimum | Typical | Maximum | Units | Notes |
|-------------------------|--------------|---------|---------|---------|-------|--|
| Frequency Change Delay | T_{fdelay} | – | 22 | – | µsec | |
| Frequency Settling Time | T_{settle} | – | 30 | – | µsec | Time to settle to 1% of final frequency value. |

I²C Timing Specification

The below timing diagram and table illustrate the timing relationships for both master and slave.

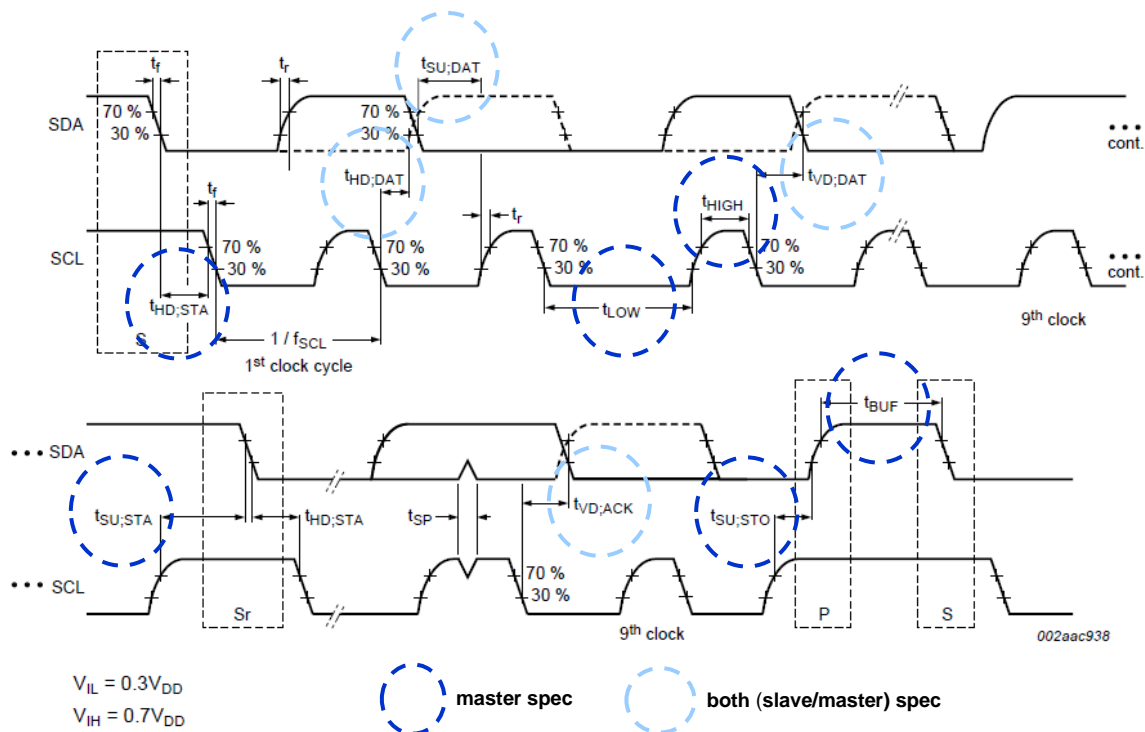


Figure 48. I²C Timing Diagram

Table 22. I²C Timing Requirements

| Parameter | Speed Mode | Value | Unit |
|--------------|-------------|------------------------------------|------|
| t_{SETUP} | FM+ (1 MHz) | > 50 | nsec |
| | FM (400KHz) | > 100 | nsec |
| | SM (100KHz) | > 250 | nsec |
| t_{HOLD} | FM+ (1 MHz) | > 0 | nsec |
| | FM (400KHz) | > 0 | nsec |
| | SM (100KHz) | > 0 | nsec |
| $t_{VD,AWK}$ | FM+ | > 450 | nsec |
| | FM (400KHz) | > 900 | nsec |
| | SM (100KHz) | > 3450 | nsec |
| $t_{VD,DAT}$ | | NA (s-awk + s-data)/(m-awk/s-data) | |

I²C Device Address Modes

There are two I²C address modes:

- 1) Factory Programmed Mode. The lower 4 bits of the 7-bit device address are set by ordering code as shown in [Table 23](#) below. There are 16 factory programmed addresses available. In this mode, pin 5 is NC and the A0 I²C address pin control function is not available.
- 2) A0 Pin Control. This mode allows the user to select between two I²C Device addresses as shown in [Table 24](#).

Table 23. Factory Programmed I²C Address Control^[15]

| I ² C Address Ordering Code | Device I ² C Address |
|--|---------------------------------|
| 0 | 1100000 |
| 1 | 1100001 |
| 2 | 1100010 |
| 3 | 1100011 |
| 4 | 1100100 |
| 5 | 1100101 |
| 6 | 1100110 |
| 7 | 1100111 |
| 8 | 1101000 |
| 9 | 1101001 |
| A | 1101010 |
| B | 1101011 |
| C | 1101100 |
| D | 1101101 |
| E | 1101110 |
| F | 1101111 |

Notes:

15. Table 23 is only valid for the DCTCXO device option which supports I²C Control.

Table 24. Pin Selectable I²C Address Control^[16]

| A0 Pin 5 | I ² C Address |
|----------|--------------------------|
| 0 | 1100010 |
| 1 | 1101010 |

Notes:

16. Table 24 is only valid for the DCTCXO device option which supports I²C control and A0 Device Address Control Pin.

Schematic Example

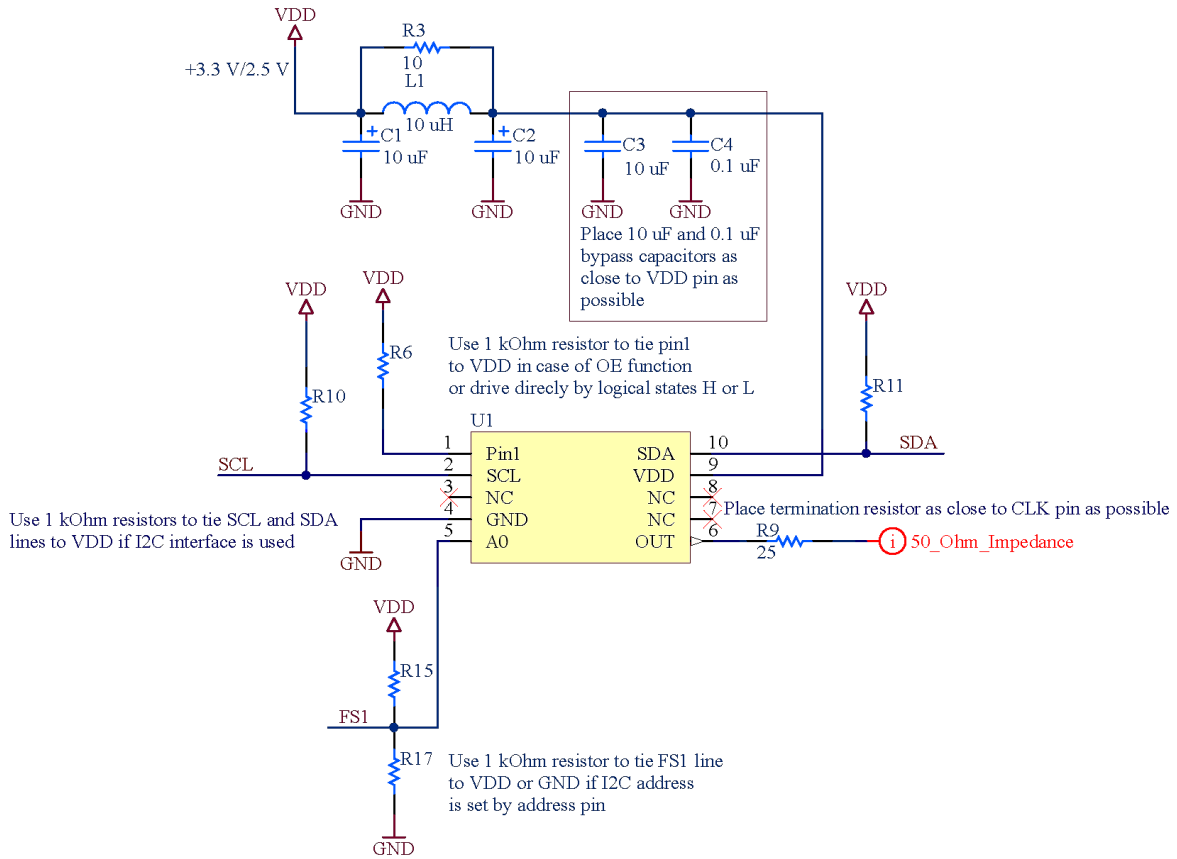


Figure 49. DCTCXO schematic example.

Dimensions and Patterns

| Package Size – Dimensions (Unit: mm) | | | | | |
|---|----|--------|-------|-------|-------|
| | | SYMBOL | MIN | NOM | MAX |
| TOTAL THICKNESS | | A | 0.840 | 0.950 | 1.060 |
| BODY SIZE | X | D | 4.850 | 5.000 | 5.150 |
| | Y | E | 3.050 | 3.200 | 3.350 |
| LEAD PITCH | e | | 1.070 | 1.200 | 0.330 |
| | e1 | | 1.200 | 1.350 | 1.480 |
| | e2 | | 0.970 | 1.100 | 1.230 |
| LEAD LENGTH | L | | 0.970 | 1.100 | 1.230 |
| | L1 | | 0.770 | 0.900 | 1.030 |
| LEAD WIDTH | W | | 0.470 | 0.600 | 0.730 |
| | W1 | | 0.670 | 0.800 | 0.930 |
| | W2 | | 0.470 | 0.600 | 0.730 |
| NOTES | | | | | |
| 1. Dimensioning and tolerancing conform to ASME Y14.5-2009. | | | | | |
| 2. All dimensions are in millimeters. | | | | | |

(TOP VIEW)

(BOTTOM VIEW)

(SIDE VIEW)

| SiTime | | DWG. NO. | |
|---------------------------------|-------------|-------------------------|--------|
| TITLE | | POD-CQFN-010-E05032-036 | |
| 10L CQFN 3.200x5.000x0.950mm | | REV. | SHEET |
| DATE | 29-JUN-2018 | A01 | 1 OF 1 |

| Recommended Land Pattern (Unit: mm) | | | | | | | | | |
|-------------------------------------|--|---------------------|--|-------------|--|--------------|--|------------|--|
| | <table border="1" style="width: 100%; border-collapse: collapse;"> <thead> <tr> <th colspan="2" style="text-align: center;">Solder Print Layout</th> </tr> </thead> <tbody> <tr> <td style="width: 70%;">10L Ceramic</td> <td style="width: 30%;"></td> </tr> <tr> <td>5.0x3.2x0.95</td> <td></td> </tr> <tr> <td>2017/06/20</td> <td style="text-align: right;"></td> </tr> </tbody> </table> | Solder Print Layout | | 10L Ceramic | | 5.0x3.2x0.95 | | 2017/06/20 | |
| Solder Print Layout | | | | | | | | | |
| 10L Ceramic | | | | | | | | | |
| 5.0x3.2x0.95 | | | | | | | | | |
| 2017/06/20 | | | | | | | | | |

Layout Guidelines

- The SiT5156 uses internal regulators to minimize the impact of power supply noise. For further reduction of noise, it is essential to use two bypass capacitors (0.1 μ F and 10 μ F). Place the bypass capacitors as close to Vdd pin as possible, typically within 1 to 2 mm. Ensure that the 0.1 μ F cap is closer to the device Vdd and GND power pins.
- It is also recommended to connect all NC pins to the ground plane and place multiple vias under the GND pin for maximum heat dissipation.
- For additional layout recommendations, refer to the [Best Design Layout Practices](#).

Manufacturing Guidelines

The SiT5156 Super-TCXOs are precision timing devices. **Proper PCB solder and cleaning processes** must be followed to ensure best performance and long-term reliability.

- **No Ultrasonic or Megasonic Cleaning:** Do not subject the SiT5156 to an ultrasonic or megasonic cleaning environment. Otherwise, permanent damage or long-term reliability issues to the device may result.
- **No external cover.** Unlike legacy quartz TCXOs, the SiT5156 is engineered to operate reliably, without performance degradation, in the presence of ambient disturbers such as airflow and sudden temperature changes. Therefore, the use of an external cover typically required by quartz TCXOs is not needed.
- **Reflow profile:** For mounting these devices to the PCB, IPC/JEDEC J-STD-020 compliant reflow profile must be used. Device performance is not guaranteed if soldered manually or with a non-compliant reflow profile.
- **PCB cleaning:** after the surface mount (SMT)/reflow process, solder flux residues may be present on the PCB and around the pads of the device. Excess residual solder flux may lead to problems such as pad corrosion, elevated leakage currents, increased frequency aging, or other performance degradation. For optimal device performance and long-term reliability, thorough cleaning and drying of the PCB is required as shortly after the reflow process as possible, even when using a “no clean” flux. Care should be taken to remove all residual flux between the SiTime device and the PCB. Note that ultrasonic PCB cleaning should not be used with SiTime oscillators.
- For additional manufacturing guidelines and marking/tape-reel instructions, refer to [SiTime Manufacturing Notes](#).

Table 25. Additional Information

| Document | Description | Download Link |
|--------------------------------|--|---|
| Time Machine II | MEMS oscillator programmer | http://www.sitime.com/support/time-machine-oscillator-programmer |
| Field Programmable Oscillators | Devices that can be programmable in the field by Time Machine II | http://www.sitime.com/products/field-programmable-oscillators |
| Manufacturing Notes | Tape & Reel dimension, reflow profile and other manufacturing related info | http://www.sitime.com/manufacturing-notes |
| Qualification Reports | RoHS report, reliability reports, composition reports | http://www.sitime.com/support/quality-and-reliability |
| Performance Reports | Additional performance data such as phase noise, current consumption and jitter for selected frequencies | http://www.sitime.com/support/performance-measurement-report |
| Termination Techniques | Termination design recommendations | http://www.sitime.com/support/application-notes |
| Layout Techniques | Layout recommendations | http://www.sitime.com/support/application-notes |

Table 26. Revision History

| Version | Release Date | Change Summary |
|---------|--------------|---|
| 0.1 | 05/10/2016 | First release, advanced information |
| 0.15 | 08/04/2016 | Replaced QFN package with SOIC-8 package Added 10 µF bypass cap requirement Updated test circuits to reflect both new bypass cap requirement and SOIC-8 package Update Table 1 (Electrical Characteristics) |
| 0.16 | 09/12/2016 | Updated test circuit diagrams |
| 0.2 | 09/21/2016 | Revised Table 1 (Electrical Characteristics) |
| 0.4 | 12/19/2016 | Added DCTCXO mode Added I ² C information Added I ² C |
| 0.5 | 07/21/2017 | Added 5.0x3.2 mm ² package information Updated Table 1 (Electrical Characteristics) |
| 0.51 | 08/20/2017 | Changed to preliminary Updated 5.0x3.2 mm ² package dimensions Updated test circuits Updated Table 1 (Electrical Characteristics) Updated part ordering info Misc. corrections |
| 0.52 | 11/24/2017 | Updated the Thermal Characteristics table Added more on Manufacturing Guideline section |
| 0.55 | 02/05/2018 | Added View labels to Package Drawings Updated the frequency vs. output type changes to 60 MHz Updated links and notes |
| 0.60 | 03/01/2018 | Added 105°C support, updated Ordering Information |
| 1.0 | 06/26/2018 | Updated Electrical Characteristics tables. Added Performance Plots. Improved readability. Fixed bad hyperlinks. |
| 1.01 | 07/03/2018 | Updated I2C specifications in Table 3 (Input Characteristics). |
| 1.02 | 07/04/2018 | Updated Mechanical Shock Resistance, Table 11 (Environmental Compliance) |
| 1.03 | 08/03/2018 | Added test circuit for clipped sinewave phase noise. Revised phase noise specifications. Updated package outline drawing. Updated conditions for one day and one year aging specs. Various formatting updates. |

SiTime Corporation, 5451 Patrick Henry Drive, Santa Clara, CA 95054, USA | Phone: +1-408-328-4400 | Fax: +1-408-328-4439

© SiTime Corporation 2016-2018. The information contained herein is subject to change at any time without notice. SiTime assumes no responsibility or liability for any loss, damage or defect of a Product which is caused in whole or in part by (i) use of any circuitry other than circuitry embodied in a SiTime product, (ii) misuse or abuse including static discharge, neglect or accident, (iii) unauthorized modification or repairs which have been soldered or altered during assembly and are not capable of being tested by SiTime under its normal test conditions, or (iv) improper installation, storage, handling, warehousing or transportation, or (v) being subjected to unusual physical, thermal, or electrical stress.

Disclaimer: SiTime makes no warranty of any kind, express or implied, with regard to this material, and specifically disclaims any and all express or implied warranties, either in fact or by operation of law, statutory or otherwise, including the implied warranties of merchantability and fitness for use or a particular purpose, and any implied warranty arising from course of dealing or usage of trade, as well as any common-law duties relating to accuracy or lack of negligence, with respect to this material, any SiTime product and any product documentation. Products sold by SiTime are not suitable or intended to be used in a life support application or component, to operate nuclear facilities, or in other mission critical applications where human life may be involved or at stake. All sales are made conditioned upon compliance with the critical uses policy set forth below.

CRITICAL USE EXCLUSION POLICY

BUYER AGREES NOT TO USE SITIME'S PRODUCTS FOR ANY APPLICATION OR IN ANY COMPONENTS USED IN LIFE SUPPORT DEVICES OR TO OPERATE NUCLEAR FACILITIES OR FOR USE IN OTHER MISSION-CRITICAL APPLICATIONS OR COMPONENTS WHERE HUMAN LIFE OR PROPERTY MAY BE AT STAKE.

SiTime owns all rights, title and interest to the intellectual property related to SiTime's products, including any software, firmware, copyright, patent, or trademark. The sale of SiTime products does not convey or imply any license under patent or other rights. SiTime retains the copyright and trademark rights in all documents, catalogs and plans supplied pursuant to or ancillary to the sale of products or services by SiTime. Unless otherwise agreed to in writing by SiTime, any reproduction, modification, translation, compilation, or representation of this material shall be strictly prohibited.



Компания «ЭлектроПласт» предлагает заключение долгосрочных отношений при поставках импортных электронных компонентов на взаимовыгодных условиях!

Наши преимущества:

- Оперативные поставки широкого спектра электронных компонентов отечественного и импортного производства напрямую от производителей и с крупнейших мировых складов;
- Поставка более 17-ти миллионов наименований электронных компонентов;
- Поставка сложных, дефицитных, либо снятых с производства позиций;
- Оперативные сроки поставки под заказ (от 5 рабочих дней);
- Экспресс доставка в любую точку России;
- Техническая поддержка проекта, помощь в подборе аналогов, поставка прототипов;
- Система менеджмента качества сертифицирована по Международному стандарту ISO 9001;
- Лицензия ФСБ на осуществление работ с использованием сведений, составляющих государственную тайну;
- Поставка специализированных компонентов (Xilinx, Altera, Analog Devices, Intersil, Interpoint, Microsemi, Aeroflex, Peregrine, Syfer, Eurofarad, Texas Instrument, Miteq, Cobham, E2V, MA-COM, Hittite, Mini-Circuits, General Dynamics и др.);

Помимо этого, одним из направлений компании «ЭлектроПласт» является направление «Источники питания». Мы предлагаем Вам помощь Конструкторского отдела:

- Подбор оптимального решения, техническое обоснование при выборе компонента;
- Подбор аналогов;
- Консультации по применению компонента;
- Поставка образцов и прототипов;
- Техническая поддержка проекта;
- Защита от снятия компонента с производства.



Как с нами связаться

Телефон: 8 (812) 309 58 32 (многоканальный)

Факс: 8 (812) 320-02-42

Электронная почта: org@eplast1.ru

Адрес: 198099, г. Санкт-Петербург, ул. Калинина, дом 2, корпус 4, литера А.