

## DS1091L

# Automotive Temperature Range Spread-Spectrum EconOscillator™

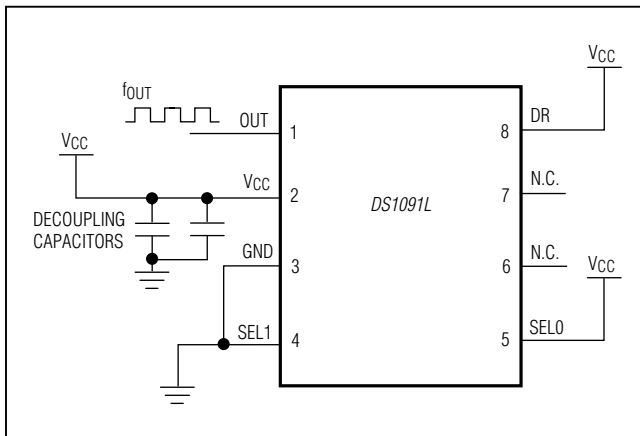
### General Description

The DS1091L is a low-cost clock generator that is factory trimmed to output frequencies from 130kHz to 66.6MHz with a nominal accuracy of  $\pm 0.25\%$ . The device can also produce a center- or down-dithered spread-spectrum output with pin-selectable dither magnitude and rate. Assembled in an 8-pin  $\mu\text{MAX}^{\text{®}}$  package, the DS1091L is designed to operate with a 3.0V to 3.6V power supply over the automotive temperature range ( $-40^{\circ}\text{C}$  to  $+125^{\circ}\text{C}$ ).

### Applications

Automotive Infotainment  
POS Terminals  
LCD Displays  
Printers  
Industrial Control

### Typical Operating Circuit



### Features

- ◆ Spread-Spectrum Clock Output from 130kHz to 66.6MHz
- ◆  $-40^{\circ}\text{C}$  to  $+125^{\circ}\text{C}$  Operating Temperature Range
- ◆  $\pm 1.75\%$  Accuracy Across Temperature and Voltage
- ◆ Factory Trimmed
- ◆ Center-Dithered (DS1091LUA) or Down-Dithered (DS1091LUB) Spread-Spectrum Output
- ◆ Pin-Selectable Center-Dither Magnitude of 0%,  $\pm 1\%$ ,  $\pm 2\%$ , or  $\pm 4\%$
- ◆ Pin-Selectable Down-Dither Magnitude of 0%,  $-2\%$ ,  $-4\%$ , or  $-8\%$
- ◆ Pin-Selectable Dither Rate
- ◆ 3.0V to 3.6V Supply Operation
- ◆ Lead(Pb)-Free, 8-Pin  $\mu\text{MAX}$  Package

### Custom Frequency Options

Custom frequency options are available. See the [Ordering Information](#) or contact the factory by email at [custom\\_oscillators@maximintegrated.com](mailto:custom_oscillators@maximintegrated.com) for more information.

[Ordering Information](#) appears at end of data sheet.

EconOscillator is a trademark and  $\mu\text{MAX}$  is a registered trademark of Maxim Integrated Products, Inc.

For related parts and recommended products to use with this part, refer to: [www.maximintegrated.com/DS1091L.related](http://www.maximintegrated.com/DS1091L.related)

For pricing, delivery, and ordering information, please contact Maxim Direct at 1-888-629-4642, or visit Maxim Integrated's website at [www.maximintegrated.com](http://www.maximintegrated.com).

# DS1091L

## Automotive Temperature Range Spread-Spectrum EconOscillator™

### ABSOLUTE MAXIMUM RATINGS

Voltage Range on  $V_{CC}$  Relative to Ground ..... -0.5V to +6.0V  
Voltage Range on DR, SEL0, SEL1  
Relative to Ground ..... -0.5V to ( $V_{CC} + 0.5V$ )\*  
Continuous Power Dissipation ( $T_A = +70^\circ\text{C}$ )  
 $\mu\text{MAX}$  (derate 4.5mW/ $^\circ\text{C}$  above +70 $^\circ\text{C}$ ) ..... 362mW

Operating Temperature Range ..... -40 $^\circ\text{C}$  to +125 $^\circ\text{C}$   
Storage Temperature Range ..... -55 $^\circ\text{C}$  to +125 $^\circ\text{C}$   
Lead Temperature (soldering, 10s) ..... +300 $^\circ\text{C}$   
Soldering Temperature (reflow) ..... +260 $^\circ\text{C}$

\*This voltage must not exceed 6.0V.

Stresses beyond those listed under "Absolute Maximum Ratings" may cause permanent damage to the device. These are stress ratings only, and functional operation of the device at these or any other conditions beyond those indicated in the operational sections of the specifications is not implied. Exposure to absolute maximum rating conditions for extended periods may affect device reliability.

### RECOMMENDED OPERATING CONDITIONS

( $T_A = -40^\circ\text{C}$  to +125 $^\circ\text{C}$ , unless otherwise noted.)

| PARAMETER                                    | SYMBOL   | CONDITIONS | MIN               | TYP | MAX               | UNITS |
|--|----------|------------|-------------------|-----|-------------------|-------|
| Supply Voltage                               | $V_{CC}$ | (Note 1)   | 3.0               | 3.3 | 3.6               | V     |
| High-Level Input Voltage<br>(SEL0, SEL1, DR) | $V_{IH}$ |            | 0.7 x<br>$V_{CC}$ |     | $V_{CC} +$<br>0.3 | V     |
| Low-Level Input Voltage<br>(SEL0, SEL1, DR)  | $V_{IL}$ |            | -0.3              |     | 0.3 x<br>$V_{CC}$ | V     |

### DC ELECTRICAL CHARACTERISTICS

( $V_{CC} = +3.0V$  to +3.6V,  $T_A = -40^\circ\text{C}$  to +125 $^\circ\text{C}$ , unless otherwise noted.)

| PARAMETER                                    | SYMBOL   | CONDITIONS                               | MIN | TYP | MAX | UNITS         |
|--|----------|--|-----|-----|-----|---------------|
| High-Level Output Voltage (OUT)              | $V_{OH}$ | $I_{OH} = -4\text{mA}$ , $V_{CC} = 3.0V$ | 2.4 |     |     | V             |
| Low-Level Output Voltage (OUT)               | $V_{OL}$ | $I_{OL} = 4\text{mA}$                    |     |     | 0.4 | V             |
| High-Level Input Current<br>(SEL0, SEL1, DR) | $I_{IH}$ | $V_{CC} = 3.6V$                          |     |     | 1   | $\mu\text{A}$ |
| Low-Level Input Current<br>(SEL0, SEL1, DR)  | $I_{IL}$ | $V_{IL} = 0V$                            | -1  |     |     | $\mu\text{A}$ |
| Supply Current (Active)                      | $I_{CC}$ | (Note 2)                                 |     |     | 16  | mA            |

# DS1091L

## Automotive Temperature Range Spread-Spectrum EconOscillator™

### AC ELECTRICAL CHARACTERISTICS

( $V_{CC} = +3.0V$  to  $+3.6V$ ,  $T_A = -40^{\circ}C$  to  $+125^{\circ}C$ , unless otherwise noted.)

| PARAMETER                         | SYMBOL           | CONDITIONS                                       | MIN   | TYP | MAX   | UNITS |
|-----------------------------------|------------------|--|-------|-----|-------|-------|
| Output Frequency Range            | $f_{OUT}$        | (Note 3)   | 0.130 |     | 66.6  | MHz   |
| Output Center Frequency Tolerance | $\Delta f_{OUT}$ | $V_{CC} = 3.3V$ , $T_A = +25^{\circ}C$           | -0.25 | 0   | +0.25 | %     |
|                                   |                  | Across $T_A$ and $V_{CC}$                        | -1.75 |     | +1.75 |       |
|                                   |                  | $0^{\circ}C$ to $+70^{\circ}C$ , across $V_{CC}$ | -1.2  |     | +1.2  |       |
| Power-Up Time                     | $t_{PU}$         | (Note 4)   |       |     | 0.1   | ms    |
| Load Capacitance                  | $C_L$            |  |       | 15  | 50    | pF    |
| Duty Cycle                        |                  | < 33.3MHz (Note 3)                               |       | 50  |       | %     |
|                                   |                  | $\geq 33.3MHz$ (Note 3)                          | 40    |     | 60    |       |
| Jitter (RMS), 50MHz               |                  |  |       | 0.3 |       | %     |

**Note 1:** All voltages are referenced to ground. Currents entering the IC are specified positive and currents exiting the IC are negative.

**Note 2:** Supply current measured with  $C_L = 15pF$ ,  $V_{CC} = 3.6V$ ,  $T_A = +25^{\circ}C$ ,  $f_{OUT} = 66.6MHz$ , no dither.

**Note 3:** No dither.

**Note 4:** Guaranteed by design.

**Note 5:** For aging characteristics, contact factory.

### Typical Operating Characteristics

( $V_{CC} = 3.3V$ ,  $T_A = +25^{\circ}C$ , unless otherwise noted.)



# DS1091L

## Automotive Temperature Range Spread-Spectrum EconOscillator™

### Typical Operating Characteristics (continued)

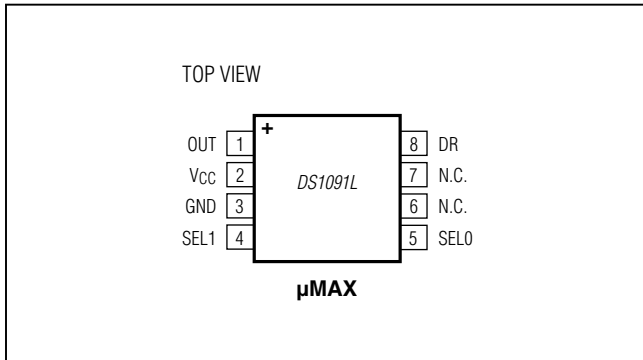
( $V_{CC} = 3.3V$ ,  $T_A = +25^\circ C$ , unless otherwise noted.)



# DS1091L

## Automotive Temperature Range Spread-Spectrum EconOscillator™

### Pin Configuration



### Pin Description

| PIN  | NAME            | FUNCTION   |
|------|-----------------|--|
| 1    | OUT             | Spread-Spectrum Clock Output   |
| 2    | V <sub>CC</sub> | Supply Voltage   |
| 3    | GND             | Ground   |
| 4    | SEL1            | Spread-Spectrum Dither Magnitude Select Inputs. Selects dither magnitude (see <a href="#">Table 1</a> ). |
| 5    | SEL0            |  |
| 6, 7 | N.C.            | No Connection  |
| 8    | DR              | Spread-Spectrum Dither Rate Selector. Selects dither rate (see <a href="#">Table 2</a> ).                |

### Block Diagram



# DS1091L

## Automotive Temperature Range Spread-Spectrum EconOscillator™

### Detailed Description

The DS1091L clock generator is capable of output frequencies from 130kHz to 66.6MHz over the full automotive temperature range (-40°C to +125°C). The device can also produce a spread-spectrum (dithered) square-wave output using four pin-selectable dither percentages. Both center (DS1091LUA) and down (DS1091LUB) dithering options are available. The device also features two selectable dither rates.

The DS1091L is shipped from the factory programmed to a customer-specified frequency.

### Spread Spectrum

The DS1091L can reduce radiated emission peaks. The dither percentage is controlled by the state of the SEL0 and SEL1 pins. The output frequency can be dithered at 0%, ±1%, ±2%, and ±4%, centered around the programmed frequency (for the DS1091LUB this can be down dithered by 0%, -2%, -4%, and -8%).

The two select pins SEL0 and SEL1 provide a means of selecting the dither magnitudes as follows:

A triangle-wave generator injects a control signal into the master oscillator to dither its output. The dither rate is a function of the output frequency,  $f_{OUT}$ , as well as the setting of the DR pin (see the equation below). [Figure 1A](#) and [Figure 1B](#) show a plot of the output frequency vs. time.

$$\text{DITHER RATE} = \frac{f_{OUT}}{2^n}$$

where n is defined in [Table 2](#) as a function of output frequency. For example, for an output frequency of 27.0MHz, the dither rate would be 13.2kHz for DR = 1 and 6.6kHz for DR = 0.

### DS1091L Frequency Spreading Profile as a Function of Dither %



Figure 1A. Center Dithered

### Power-Up

Upon the application of power, the DS1091L output is held in the low state until  $t_{PU}$  has elapsed. This removes any possibility of erroneous output transitions during initial power-up.

Table 1. Dither Magnitude

| SEL1 LOGIC LEVEL | SEL0 LOGIC LEVEL | DITHER MAGNITUDE (%) |           |
|------------------|------------------|----------------------|-----------|
|                  |                  | DS1091LUA            | DS1091LUB |
| 0                | 0                | No dither            | No dither |
| 0                | 1                | ±1                   | -2        |
| 1                | 0                | ±2                   | -4        |
| 1                | 1                | ±4                   | -8        |

Table 2. Value of n w.r.t. Output Frequency

| OUTPUT FREQUENCY $f_{OUT}$ (MHz) |                 | n                  |                    |
|----------------------------------|-----------------|--------------------|--------------------|
| $f_{OUT}$ (min)                  | $f_{OUT}$ (max) | DR = LOGIC LEVEL 1 | DR = LOGIC LEVEL 0 |
| 0.130                            | 0.260           | 4                  | 5                  |
| 0.261                            | 0.521           | 5                  | 6                  |
| 0.522                            | 1.042           | 6                  | 7                  |
| 1.043                            | 2.083           | 7                  | 8                  |
| 2.084                            | 4.167           | 8                  | 9                  |
| 4.168                            | 8.333           | 9                  | 10                 |
| 8.334                            | 16.667          | 10                 | 11                 |
| 16.668                           | 33.333          | 11                 | 12                 |
| 33.334                           | 66.667          | 12                 | 13                 |



Figure 1B. Down Dithered

# DS1091L

## Automotive Temperature Range Spread-Spectrum EconOscillator™

### Applications Information

#### Power-Supply Decoupling

To achieve best results, it is highly recommended that decoupling capacitors are used on the IC power-supply pins. Typical values of decoupling capacitors are 0.01 $\mu$ F and 0.1 $\mu$ F. Use a high-quality, ceramic, surface-mount capacitor, and mount it as close as possible to the V<sub>CC</sub> and GND pins of the IC to minimize lead inductance.

### Chip Information

SUBSTRATE CONNECTED TO GROUND

### Package Information

For the latest package outline information and land patterns (footprints), go to [www.maximintegrated.com/packages](http://www.maximintegrated.com/packages). Note that a "+", "#", or "-" in the package code indicates RoHS status only. Package drawings may show a different suffix character, but the drawing pertains to the package regardless of RoHS status.

| PACKAGE TYPE | PACKAGE CODE | OUTLINE NO.             | LAND PATTERN NO.        |
|--------------|--------------|-------------------------|-------------------------|
| 8 $\mu$ MAX  | U8+1         | <a href="#">21-0036</a> | <a href="#">90-0092</a> |

### Ordering Information

| PART              | TEMP RANGE      | SPREAD SPECTRUM | OUTPUT FREQUENCY (MHz) | PIN-PACKAGE |
|-------------------|-----------------|-----------------|------------------------|-------------|
| DS1091LUA-027+    | -40°C to +125°C | Center          | 27.0                   | 8 $\mu$ MAX |
| DS1091LUA-027+T   | -40°C to +125°C | Center          | 27.0                   | 8 $\mu$ MAX |
| DS1091LUA-030/V+  | -40°C to +125°C | Center          | 30.0                   | 8 $\mu$ MAX |
| DS1091LUA-030/V+T | -40°C to +125°C | Center          | 30.0                   | 8 $\mu$ MAX |
| DS1091LUA-033+    | -40°C to +125°C | Center          | 33.3                   | 8 $\mu$ MAX |
| DS1091LUA-033+T   | -40°C to +125°C | Center          | 33.3                   | 8 $\mu$ MAX |
| DS1091LUA-033/V+  | -40°C to +125°C | Center          | 33.3                   | 8 $\mu$ MAX |
| DS1091LUA-033/V+T | -40°C to +125°C | Center          | 33.3                   | 8 $\mu$ MAX |
| DS1091LUA-040+    | -40°C to +125°C | Center          | 40.0                   | 8 $\mu$ MAX |
| DS1091LUA-040+T   | -40°C to +125°C | Center          | 40.0                   | 8 $\mu$ MAX |
| DS1091LUA-040/V+  | -40°C to +125°C | Center          | 40.0                   | 8 $\mu$ MAX |
| DS1091LUA-040/V+T | -40°C to +125°C | Center          | 40.0                   | 8 $\mu$ MAX |
| DS1091LUA-055/V+  | -40°C to +125°C | Center          | 55.4                   | 8 $\mu$ MAX |
| DS1091LUA-055/V+T | -40°C to +125°C | Center          | 55.4                   | 8 $\mu$ MAX |
| DS1091LUA-066+    | -40°C to +125°C | Center          | 66.6                   | 8 $\mu$ MAX |
| DS1091LUA-066+T   | -40°C to +125°C | Center          | 66.6                   | 8 $\mu$ MAX |
| DS1091LUA-066/V+  | -40°C to +125°C | Center          | 66.6                   | 8 $\mu$ MAX |
| DS1091LUA-066/V+T | -40°C to +125°C | Center          | 66.6                   | 8 $\mu$ MAX |
| DS1091LUA-10A/V+  | -40°C to +125°C | Center          | 10.38                  | 8 $\mu$ MAX |
| DS1091LUA-10A/V+T | -40°C to +125°C | Center          | 10.38                  | 8 $\mu$ MAX |
| DS1091LUA-172/V+  | -40°C to +125°C | Center          | 1.7                    | 8 $\mu$ MAX |

*V* denotes an automotive qualified part.

+Denotes a lead(Pb)-free/RoHS-compliant package.

T = Tape and reel.

[Ordering Information](#) continued on next page.

# DS1091L

## Automotive Temperature Range Spread-Spectrum EconOscillator™

### *Ordering Information (continued)*

| PART              | TEMP RANGE      | SPREAD SPECTRUM | OUTPUT FREQUENCY (MHz)   | PIN-PACKAGE |
|-------------------|-----------------|-----------------|--------------------------|-------------|
| DS1091LUA-172/V+T | -40°C to +125°C | Center          | 1.7                      | 8 µMAX      |
| DS1091LUA-190/V+  | -40°C to +125°C | Center          | 1.9                      | 8 µMAX      |
| DS1091LUA-190/V+T | -40°C to +125°C | Center          | 1.9                      | 8 µMAX      |
| DS1091LUA-200+    | -40°C to +125°C | Center          | 0.20                     | 8 µMAX      |
| DS1091LUA-200+T   | -40°C to +125°C | Center          | 0.20                     | 8 µMAX      |
| DS1091LUA-200/V+  | -40°C to +125°C | Center          | 0.20                     | 8 µMAX      |
| DS1091LUA-200/V+T | -40°C to +125°C | Center          | 0.20                     | 8 µMAX      |
| DS1091LUA-330+    | -40°C to +125°C | Center          | 33.0                     | 8 µMAX      |
| DS1091LUA-330+T   | -40°C to +125°C | Center          | 33.0                     | 8 µMAX      |
| DS1091LUA-330/V+  | -40°C to +125°C | Center          | 33.0                     | 8 µMAX      |
| DS1091LUA-330/V+T | -40°C to +125°C | Center          | 33.0                     | 8 µMAX      |
| DS1091LUA-xxx+    | -40°C to +125°C | Center          | Custom (contact factory) | 8 µMAX      |
| DS1091LUB-008+T   | -40°C to +125°C | Down            | 8.0                      | 8 µMAX      |
| DS1091LUB-016/V+  | -40°C to +125°C | Down            | 16.6                     | 8 µMAX      |
| DS1091LUB-016/V+T | -40°C to +125°C | Down            | 16.6                     | 8 µMAX      |
| DS1091LUB-019/V+  | -40°C to +125°C | Down            | 19.9                     | 8 µMAX      |
| DS1091LUB-019/V+T | -40°C to +125°C | Down            | 19.9                     | 8 µMAX      |
| DS1091LUB-025/V+  | -40°C to +125°C | Down            | 25.0                     | 8 µMAX      |
| DS1091LUB-025/V+T | -40°C to +125°C | Down            | 25.0                     | 8 µMAX      |
| DS1091LUB-027+    | -40°C to +125°C | Down            | 27.0                     | 8 µMAX      |
| DS1091LUB-027+T   | -40°C to +125°C | Down            | 27.0                     | 8 µMAX      |
| DS1091LUB-027/V+  | -40°C to +125°C | Down            | 27.0                     | 8 µMAX      |
| DS1091LUB-027/V+T | -40°C to +125°C | Down            | 27.0                     | 8 µMAX      |
| DS1091LUB-033+    | -40°C to +125°C | Down            | 33.3                     | 8 µMAX      |
| DS1091LUB-033+T   | -40°C to +125°C | Down            | 33.3                     | 8 µMAX      |
| DS1091LUB-066+    | -40°C to +125°C | Down            | 66.6                     | 8 µMAX      |
| DS1091LUB-066+T   | -40°C to +125°C | Down            | 66.6                     | 8 µMAX      |
| DS1091LUB-xxx+    | -40°C to +125°C | Down            | Custom (contact factory) | 8 µMAX      |

*V* denotes an automotive qualified part.

*+* Denotes a lead(Pb)-free/RoHS-compliant package.

*T* = Tape and reel.

*xxx* Denotes factory-programmed custom frequencies. Email [custom.oscillators@maximintegrated.com](mailto:custom.oscillators@maximintegrated.com) for more information.



# DS1091L

## Automotive Temperature Range Spread-Spectrum EconOscillator™

### Revision History

| REVISION NUMBER | REVISION DATE | DESCRIPTION   | PAGES CHANGED |
|-----------------|---------------|---|---------------|
| 0               | 9/06          | Initial release   | —             |
| 1               | 3/11          | Added the continuous power dissipation numbers, lead temperature, and soldering temperature to the <i>Absolute Maximum Ratings</i> section; updated the custom frequency technical support information; updated the <i>Ordering Information</i> table; added the land pattern no. to the <i>Package Information</i> table | 1, 2, 7       |
| 2               | 9/11          | Updated the <i>Ordering Information</i> table   | 7             |
| 3               | 6/13          | Updated the <i>Ordering Information</i> table (adding rows)   | 7, 8          |



Maxim Integrated cannot assume responsibility for use of any circuitry other than circuitry entirely embodied in a Maxim Integrated product. No circuit patent licenses are implied. Maxim Integrated reserves the right to change the circuitry and specifications without notice at any time. The parametric values (min and max limits) shown in the Electrical Characteristics table are guaranteed. Other parametric values quoted in this data sheet are provided for guidance.

**Maxim Integrated 160 Rio Robles, San Jose, CA 95134 USA 1-408-601-1000**

9



Компания «ЭлектроПласт» предлагает заключение долгосрочных отношений при поставках импортных электронных компонентов на взаимовыгодных условиях!

Наши преимущества:

- Оперативные поставки широкого спектра электронных компонентов отечественного и импортного производства напрямую от производителей и с крупнейших мировых складов;
- Поставка более 17-ти миллионов наименований электронных компонентов;
- Поставка сложных, дефицитных, либо снятых с производства позиций;
- Оперативные сроки поставки под заказ (от 5 рабочих дней);
- Экспресс доставка в любую точку России;
- Техническая поддержка проекта, помощь в подборе аналогов, поставка прототипов;
- Система менеджмента качества сертифицирована по Международному стандарту ISO 9001;
- Лицензия ФСБ на осуществление работ с использованием сведений, составляющих государственную тайну;
- Поставка специализированных компонентов (Xilinx, Altera, Analog Devices, Intersil, Interpoint, Microsemi, Aeroflex, Peregrine, Syfer, Eurofarad, Texas Instrument, Miteq, Cobham, E2V, MA-COM, Hittite, Mini-Circuits, General Dynamics и др.);

Помимо этого, одним из направлений компании «ЭлектроПласт» является направление «Источники питания». Мы предлагаем Вам помощь Конструкторского отдела:

- Подбор оптимального решения, техническое обоснование при выборе компонента;
- Подбор аналогов;
- Консультации по применению компонента;
- Поставка образцов и прототипов;
- Техническая поддержка проекта;
- Защита от снятия компонента с производства.



#### Как с нами связаться

**Телефон:** 8 (812) 309 58 32 (многоканальный)

**Факс:** 8 (812) 320-02-42

**Электронная почта:** [org@eplast1.ru](mailto:org@eplast1.ru)

**Адрес:** 198099, г. Санкт-Петербург, ул. Калинина, дом 2, корпус 4, литера А.