

**PLEASE CHECK WWW.MOLEX.COM FOR LATEST PART INFORMATION**

**Part Number:** [0545520402](#)  
**Status:** **Active**  
**Description:** 0.40mm (.016") Pitch Board-to-Board SlimStack™ Receptacle, SMT, Dual Row, with Plastic Pegs, Right Angle, 40 Circuits

**Documents:**

[3D Model](#) [Product Specification PS-54552-023 \(PDF\)](#)  
[Drawing \(PDF\)](#) [RoHS Certificate of Compliance \(PDF\)](#)

**General**

Product Family PCB Receptacles  
 Series [54552](#)  
 Application Board-to-Board  
 Product Name SlimStack™

**Physical**

Circuits (Loaded) 40  
 Color - Resin Brown  
 Durability (mating cycles max) 30  
 Glow-Wire Compliant No  
 Mated Height (in) 0.167 In, 0.171 In  
 Mated Height (mm) 4.25 mm, 4.35 mm  
 Material - Metal Phosphor Bronze  
 Material - Plating Mating Gold  
 Material - Plating Termination Tin  
 Number of Rows 2  
 Orientation Right Angle  
 PCB Locator Yes  
 PCB Retention None  
 Packaging Type Embossed Tape on Reel  
 Pitch - Mating Interface (in) 0.016 In  
 Pitch - Mating Interface (mm) 0.40 mm  
 Polarized to PCB No  
 Temperature Range - Operating -40°C to +85°C  
 Termination Interface: Style Surface Mount

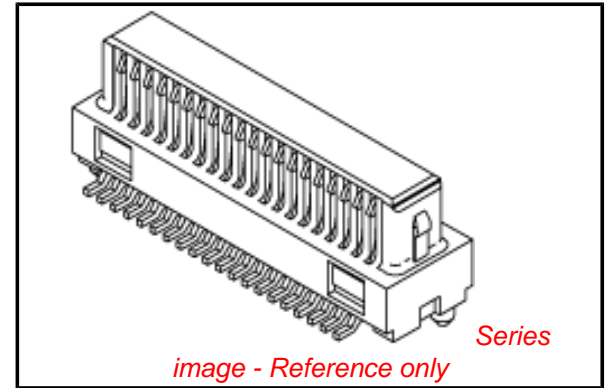
**Electrical**

Current - Maximum per Contact 0.3A  
 Voltage - Maximum 30V AC (RMS)/DC

**Material Info**

**Reference - Drawing Numbers**

Packaging Specification SPK-54552-017  
 Product Specification PS-54552-023  
 Sales Drawing SD-54552-023, SD-54552-024



**EU RoHS**

**ELV and RoHS  
 Compliant**  
**REACH SVHC**  
 Not Reviewed  
**Halogen-Free  
 Status**  
**Not Reviewed**

**China RoHS**



**Need more information on product  
 environmental compliance?**

Email [productcompliance@molex.com](mailto:productcompliance@molex.com)  
 For a multiple part number RoHS Certificate of  
 Compliance, [click here](#)

Please visit the [Contact Us](#) section for any  
 non-product compliance questions.

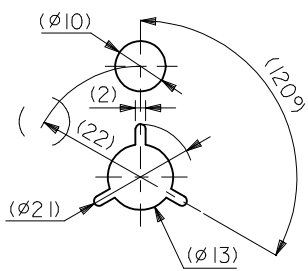
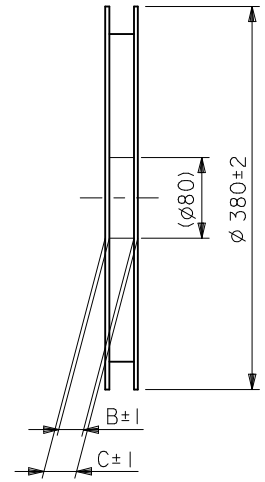
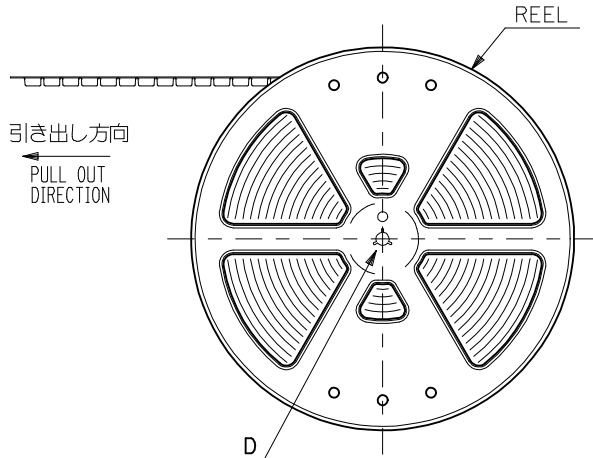
**Search Parts in this Series**

[54552Series](#)

**Mates With**

[55394 PCB Header](#) . [503376 PCB Header](#)

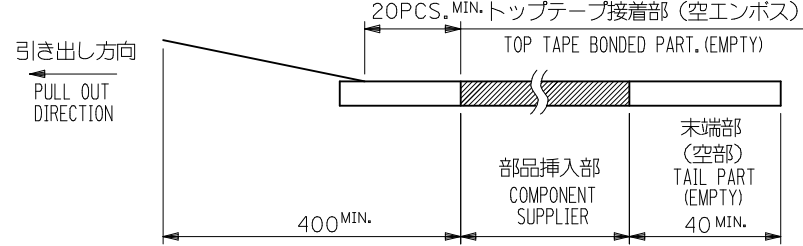




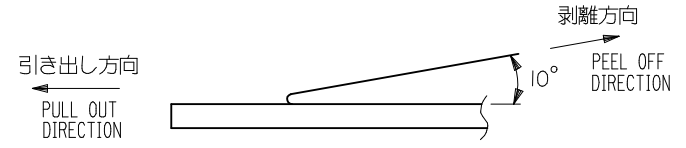
DETAIL D

NOTES

- 製品詳細寸法については SD-54552-023 を参照下さい。  
RE DETAILED DIMENSION, SEE SD-54552-023.
- 梱包数量：1500個/リール  
NUMBER OF CONNECTORS : 1500PCS/REEL
- リードテープ長さ LEAD TAPE LENGTH



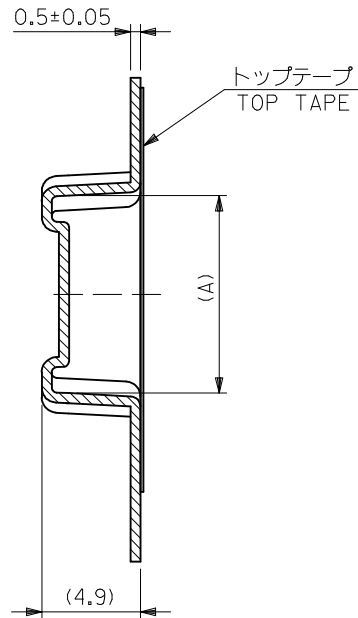
- トップテープの剥離強度：0.1～1.3N {10～130gf} (剥離方向は下図参照)  
尚、本規格値は出荷時に適用。(但し、輸送時に剥離が発生しないこと。)  
PEELING OFF FORCE OF TOP TAPE : 0.1～1.3N {10～130gf}  
(PEELING DIRECTION AS SHOWN IN FOLLOWING FIG.)  
THIS REQUIREMENT SHOULD BE APPLIED AT SHIPMENT.  
PEEL OFF SHOULD NOT BE ALLOWED , DURING TRANSPORTATION.



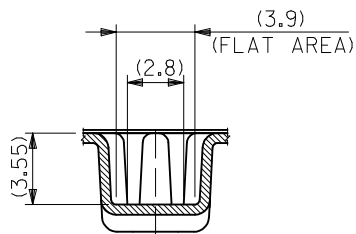
- 材料 (MATERIAL)  
キャリアテープ (CARRIER TAPE) : ポリプロピレン (POLYPROPYLENE)  
トップテープ (TOP TAPE) : PET , PE , PEF  
リール (REEL) : ポリスチレン (P S) <リサイクル材を含む>  
POLYSTYRENE (PS) <RECYCLE MATERIAL CONTAINED>
- ELV及RoHS適合品  
ELV AND RoHS COMPLIANT

54552-1102	110
54552-0902	90
54552-0402	40
54552-0342	34
54552-0302	30
MATERIAL NO.	極数 CIRCUITS

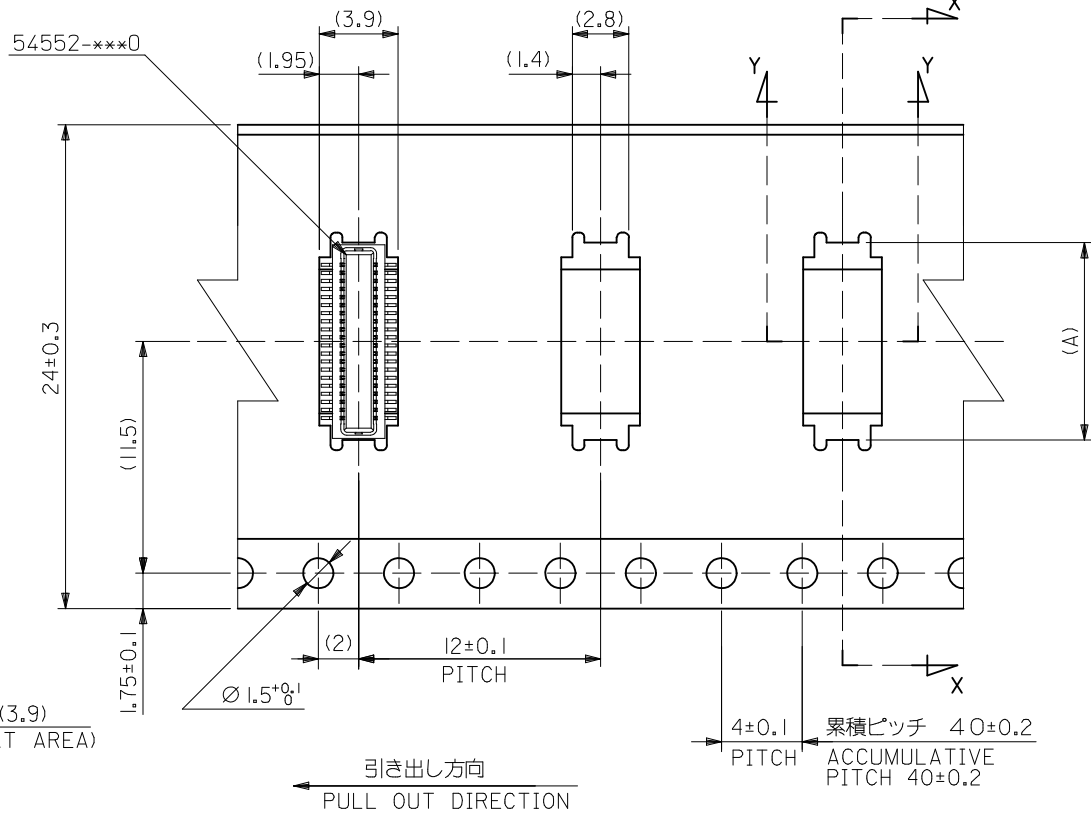
REVISED EC NO: J2009-2156 DRWN: TAKASAKI 2009/03/26 CHKD: THARUYAMA 2009/03/27 APPR: NUKITA 2009/03/30	GENERAL TOLERANCES (UNLESS SPECIFIED)		DIMENSION STYLE MM ONLY		SCALE ---	DESIGN UNITS METRIC	THIRD ANGLE PROJECTION
	10 UNDER	±0.2	DRAWN BY N. AIDA	DATE '05/02/03	TITLE EMBSTP PKG FOR 0.4 B/B CONN RA REC HSG ASSY		
	10 OVER 30 UNDER	±0.25	CHECKED BY K. TOYODA	DATE '05/02/03	MOLEX INCORPORATED		
	30 OVER	±0.3	APPROVED BY N. UKITA	DATE '05/02/03	DOCUMENT NO. SD-54552-024		
	ANGULAR ±3 °	DRAFT WHERE APPLICABLE MUST REMAIN WITHIN DIMENSIONS		MATERIAL NO. SEE TABLE		SHEET NO. 1 OF 4	
		THIS DRAWING CONTAINS INFORMATION THAT IS PROPRIETARY TO MOLEX INCORPORATED AND SHOULD NOT BE USED WITHOUT WRITTEN PERMISSION					



SECT X-X



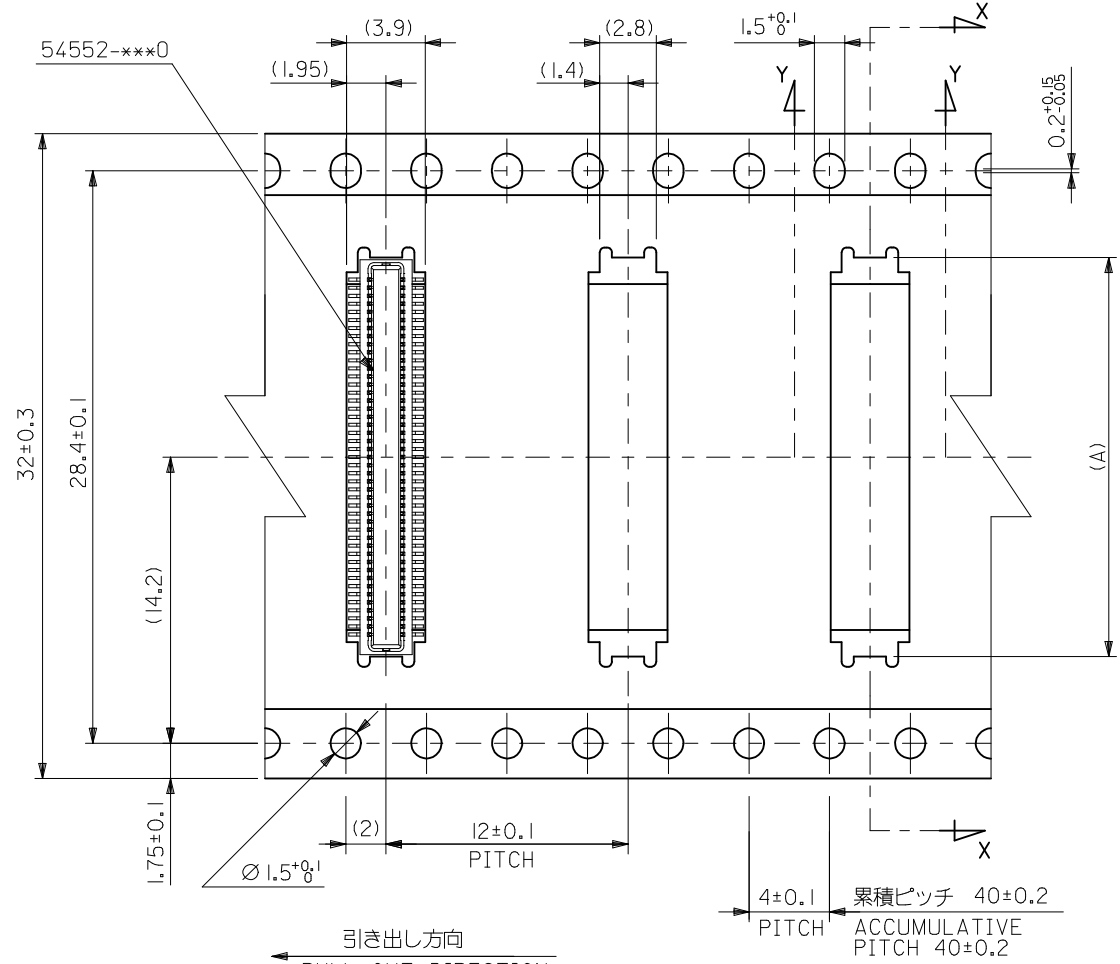
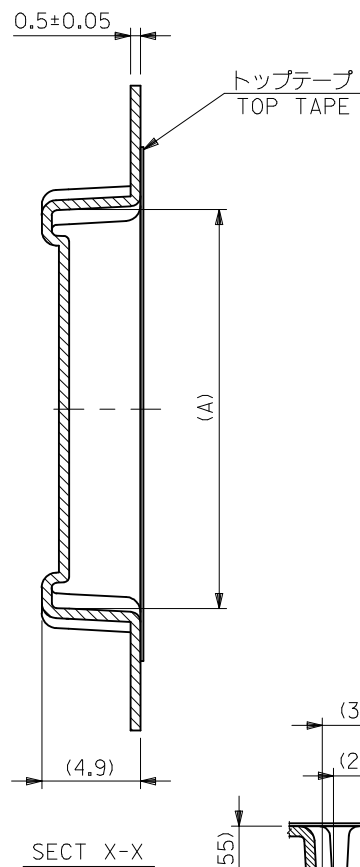
SECT Y-Y



24mm幅キャリアテープ  
24mm WIDTH CARRIER TAPE

24	29.4	25.4	9.8	54552-0402	40
			8.6	54552-0342	34
			7.8	54552-0302	30
キャリアテープ幅 CARRIER TAPE WIDTH	C	B	(A)	MATERIAL NO.	極数 CIRCUITS

REVISED EC NO: J2009-2156 DRWN: TAKASAKI 2009/03/26 CHKD: THARUYAMA 2009/03/27 APPR: NUKITA 2009/03/30	GENERAL TOLERANCES (UNLESS SPECIFIED)		DIMENSION STYLE MM ONLY		SCALE ---	DESIGN UNITS METRIC	MODEL NO. 54552-***2
	10 UNDER	±0.2	DRAWN BY N. AIDA	DATE '05/02/03	TITLE EMBSTP PKG FOR 0.4 B/B CONN RA REC HSG ASSY		
	10 OVER 30 UNDER	±0.25	CHECKED BY K. TOYODA	DATE '05/02/03	MATERIAL NO.		
	30 OVER	±0.3	APPROVED BY N. UKITA	DATE '05/02/03	DOCUMENT NO. SD-54552-024		
REV	DESCRIPTION	ANGULAR ±3 °	DRAFT WHERE APPLICABLE MUST REMAIN WITHIN DIMENSIONS		SHEET NO. 2 OF 4		
SIZE A3				THIS DRAWING CONTAINS INFORMATION THAT IS PROPRIETARY TO MOLEX INCORPORATED AND SHOULD NOT BE USED WITHOUT WRITTEN PERMISSION			

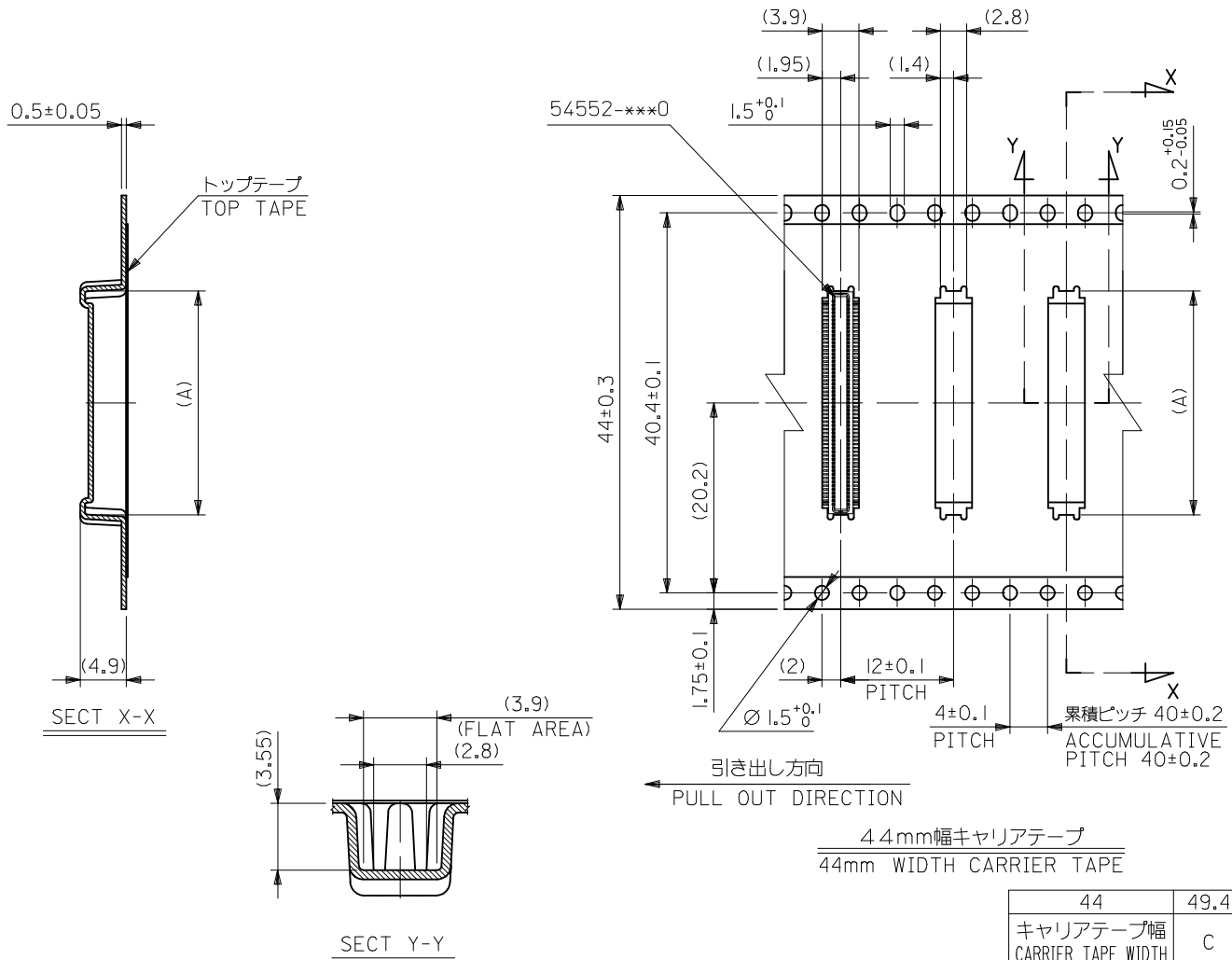


引き出し方向  
PULL OUT DIRECTION  
32mm幅キャリアテープ  
32mm WIDTH CARRIER TAPE

4±0.1 累積ピッチ 40±0.2  
PITCH ACCUMULATIVE PITCH 40±0.2

32	37.4	33.4	19.8	54552-0902	90
キャリアテープ幅 CARRIER TAPE WIDTH	C	B	(A)	MATERIAL NO.	極数 CIRCUIT

REVISED EC NO: J2009-2156 DRWN:MTAKASAKI 2009/03/26 CHKD:THARUYAMA 2009/03/27 APPR:NUKITA 2009/03/30	GENERAL TOLERANCES (UNLESS SPECIFIED)		DIMENSION STYLE MM ONLY		SCALE ---	DESIGN UNITS METRIC	MODEL NO. 54552-***2
	10 UNDER	±0.2	DRAWN BY N. AIDA	DATE '05/02/03	TITLE EMBSTP PKG FOR 0.4 B/B CONN RA REC HSG ASSY		
	10 OVER 30 UNDER	±0.25	CHECKED BY K. TOYODA	DATE '05/02/03	MATERIAL NO.		
	30 OVER	±0.3	APPROVED BY N. UKITA	DATE '05/02/03	SHEET NO. 3 OF 4		
REV	DESCRIPTION	ANGULAR ±3 °	MATERIAL NO.		DOCUMENT NO.		
		DRAFT WHERE APPLICABLE MUST REMAIN WITHIN DIMENSIONS	SEE TABLE		SD-54552-024		
			THIS DRAWING CONTAINS INFORMATION THAT IS PROPRIETARY TO MOLEX INCORPORATED AND SHOULD NOT BE USED WITHOUT WRITTEN PERMISSION				



44mm幅キャリアテープ  
44mm WIDTH CARRIER TAPE

44	49.4	45.4	23.8	54552-1102	110
キャリアテープ幅 CARRIER TAPE WIDTH	C	B	(A)	MATERIAL NO.	極数 CIRCUITS

REVISED EC NO: J2009-2156 DRWN:MTAKASAKI 2009/03/26 CHKD:THARUYAMA 2009/03/27 APPR:NUKITA 2009/03/30	GENERAL TOLERANCES (UNLESS SPECIFIED)		DIMENSION STYLE MM ONLY		SCALE ---	DESIGN UNITS METRIC	MODEL NO. 54552-***2	THIRD ANGLE PROJECTION
	10 UNDER	±0.2	DRAWN BY N. AIDA	DATE '05/02/03	TITLE EMBSTP PKG FOR 0.4 B/B CONN RA REC HSG ASSY			
	10 OVER 30 UNDER	±0.25	CHECKED BY K. TOYODA	DATE '05/02/03	MOLEX INCORPORATED			
	30 OVER	±0.3	APPROVED BY N. UKITA	DATE '05/02/03	DOCUMENT NO. SD-54552-024			
REV	DESCRIPTION	ANGULAR ±3 °	MATERIAL NO. SEE TABLE		SHEET NO. 4 OF 4		THIS DRAWING CONTAINS INFORMATION THAT IS PROPRIETARY TO MOLEX INCORPORATED AND SHOULD NOT BE USED WITHOUT WRITTEN PERMISSION	
		DRAFT WHERE APPLICABLE MUST REMAIN WITHIN DIMENSIONS						



Компания «ЭлектроПласт» предлагает заключение долгосрочных отношений при поставках импортных электронных компонентов на взаимовыгодных условиях!

Наши преимущества:

- Оперативные поставки широкого спектра электронных компонентов отечественного и импортного производства напрямую от производителей и с крупнейших мировых складов;
- Поставка более 17-ти миллионов наименований электронных компонентов;
- Поставка сложных, дефицитных, либо снятых с производства позиций;
- Оперативные сроки поставки под заказ (от 5 рабочих дней);
- Экспресс доставка в любую точку России;
- Техническая поддержка проекта, помощь в подборе аналогов, поставка прототипов;
- Система менеджмента качества сертифицирована по Международному стандарту ISO 9001;
- Лицензия ФСБ на осуществление работ с использованием сведений, составляющих государственную тайну;
- Поставка специализированных компонентов (Xilinx, Altera, Analog Devices, Intersil, Interpoint, Microsemi, Aeroflex, Peregrine, Syfer, Eurofarad, Texas Instrument, Miteq, Cobham, E2V, MA-COM, Hittite, Mini-Circuits, General Dynamics и др.);

Помимо этого, одним из направлений компании «ЭлектроПласт» является направление «Источники питания». Мы предлагаем Вам помощь Конструкторского отдела:

- Подбор оптимального решения, техническое обоснование при выборе компонента;
- Подбор аналогов;
- Консультации по применению компонента;
- Поставка образцов и прототипов;
- Техническая поддержка проекта;
- Защита от снятия компонента с производства.



#### Как с нами связаться

**Телефон:** 8 (812) 309 58 32 (многоканальный)

**Факс:** 8 (812) 320-02-42

**Электронная почта:** [org@eplast1.ru](mailto:org@eplast1.ru)

**Адрес:** 198099, г. Санкт-Петербург, ул. Калинина, дом 2, корпус 4, литера А.