

# CAT5113

## 100-Tap Digitally Programmable Potentiometer (DPP)

### Description

The CAT5113 is a single digitally programmable potentiometer (DPP) designed as an electronic replacement for mechanical potentiometers. Ideal for automated adjustments on high volume production lines, they are also well suited for applications where equipment requiring periodic adjustment is either difficult to access or located in a hazardous or remote environment.

The CAT5113 contains a 100-tap series resistor array connected between two terminals  $R_H$  and  $R_L$ . An up/down counter and decoder that are controlled by three input pins, determines which tap is connected to the wiper,  $R_W$ . The wiper setting, stored in nonvolatile memory, is not lost when the device is powered down and is automatically reinstated when power is returned. The wiper can be adjusted to test new system values without affecting the stored setting. Wiper-control of the CAT5113 is accomplished with three input control pins,  $\overline{CS}$ ,  $U/\overline{D}$ , and  $\overline{INC}$ . The  $\overline{INC}$  input increments the wiper in the direction which is determined by the logic state of the  $U/\overline{D}$  input. The  $\overline{CS}$  input is used to select the device and also store the wiper position prior to power down.

The digitally programmable potentiometer can be used as a three-terminal resistive divider or as a two-terminal variable resistor.

### Features

- 100-position Linear Taper Potentiometer
- Non-volatile EEPROM Wiper Storage
- 10 nA Ultra-low Standby Current
- Single Supply Operation: 2.5 V – 6.0 V
- Increment Up/Down Serial Interface
- Resistance Values: 1 k $\Omega$ , 10 k $\Omega$ , 50 k $\Omega$  and 100 k $\Omega$
- Available in PDIP, SOIC, TSSOP and MSOP Packages
- These Devices are Pb-Free, Halogen Free/BFR Free and are RoHS Compliant

### Applications

- Automated Product Calibration
- Remote Control Adjustments
- Offset, Gain and Zero Control
- Tamper-proof Calibrations
- Contrast, Brightness and Volume Controls
- Motor Controls and Feedback Systems
- Programmable Analog Functions

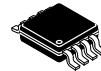


**ON Semiconductor®**

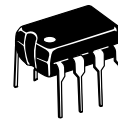
<http://onsemi.com>



**SOIC-8**  
V SUFFIX  
CASE 751BD



**MSOP-8**  
Z SUFFIX  
CASE 846AD

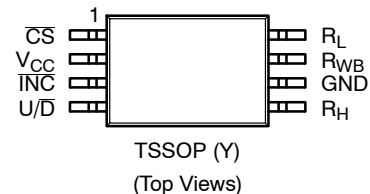
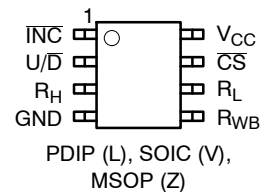


**PDIP-8**  
L SUFFIX  
CASE 646AA



**TSSOP-8**  
Y SUFFIX  
CASE 948AL

### PIN CONFIGURATIONS



### PIN FUNCTION

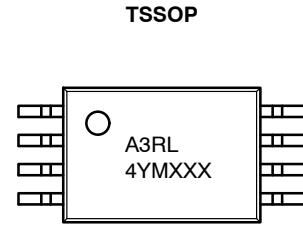
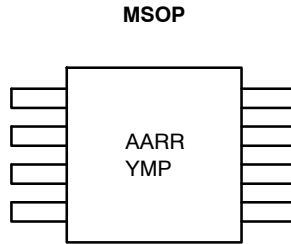
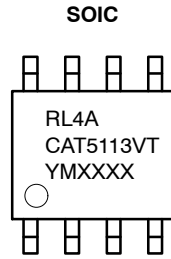
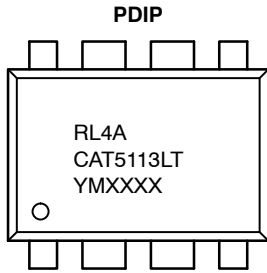
| Pin Name         | Function                    |
|------------------|-----------------------------|
| $\overline{INC}$ | Increment Control           |
| $U/\overline{D}$ | Up/Down Control             |
| $R_H$            | Potentiometer High Terminal |
| GND              | Ground                      |
| $R_W$            | Wiper Terminal              |
| $R_L$            | Potentiometer Low Terminal  |
| $\overline{CS}$  | Chip Select                 |
| $V_{CC}$         | Supply Voltage              |

### ORDERING INFORMATION

See detailed ordering and shipping information in the package dimensions section on page 9 of this data sheet.

# CAT5113

## DEVICE MARKING INFORMATION



R = Resistance:

0 = 1 k $\Omega$

2 = 10 k $\Omega$

4 = 50 k $\Omega$

5 = 100 k $\Omega$

L = Assembly Location

4 = Lead Finish - NiPdAu

A = Product Revision (Fixed as "A")

CAT5113L = Device Code (PDIP)

CAT5113V = Device Code (SOIC)

T = Temperature Range (Industrial)

Y = Production Year (Last Digit)

M = Production Month (1-9, A, B, C)

XXXX = Last Four Digits of Assembly Lot Number

AARR = CAT5113ZI-10-T3

AARC = CAT5113ZI-50-T3

AARG = CAT5113ZI-00-T3

Y = Production Year (Last Digit)

M = Production Month (1-9, A, B, C)

P = Product Revision

A3 = Device Code

R = Resistance:

2 = 10 k $\Omega$

4 = 50 k $\Omega$

5 = 100 k $\Omega$

L = Assembly Location

4 = Lead Finish - NiPdAu

Y = Production Year (Last Digit)

M = Production Month (1-9, A, B, C)

XXX = Last Three Digits of

Assembly Lot Number

Functional Diagram

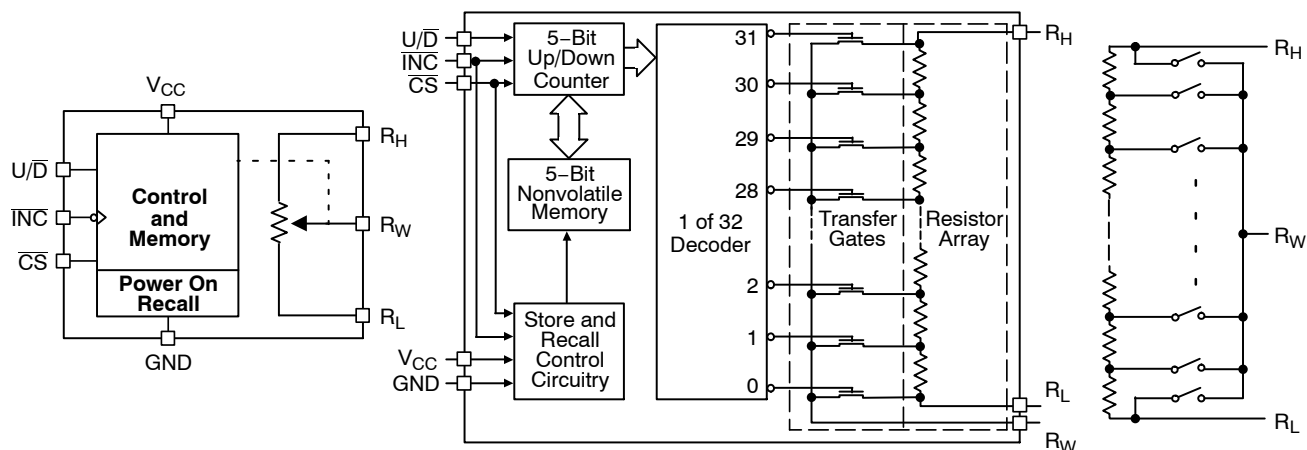


Figure 1. General

Figure 2. Detailed

Figure 3. Electronic Potentiometer Implementation

Pin Description

$\overline{INC}$ : Increment Control Input

The  $\overline{INC}$  input moves the wiper in the up or down direction determined by the condition of the  $U/\overline{D}$  input.

$U/\overline{D}$ : Up/Down Control Input

The  $U/\overline{D}$  input controls the direction of the wiper movement. When in a high state and  $\overline{CS}$  is low, any high-to-low transition on  $\overline{INC}$  will cause the wiper to move one increment toward the  $R_H$  terminal. When in a low state and  $\overline{CS}$  is low, any high-to-low transition on  $\overline{INC}$  will cause the wiper to move one increment towards the  $R_L$  terminal.

$R_H$ : High End Potentiometer Terminal

$R_H$  is the high end terminal of the potentiometer. It is not required that this terminal be connected to a potential greater than the  $R_L$  terminal. Voltage applied to the  $R_H$  terminal cannot exceed the supply voltage,  $V_{CC}$  or go below ground,  $GND$ .

$R_W$ : Wiper Potentiometer Terminal

$R_W$  is the wiper terminal of the potentiometer. Its position on the resistor array is controlled by the control inputs,  $\overline{INC}$ ,  $U/\overline{D}$  and  $\overline{CS}$ . Voltage applied to the  $R_W$  terminal cannot exceed the supply voltage,  $V_{CC}$  or go below ground,  $GND$ .

$R_L$ : Low End Potentiometer Terminal

$R_L$  is the low end terminal of the potentiometer. It is not required that this terminal be connected to a potential less than the  $R_H$  terminal. Voltage applied to the  $R_L$  terminal cannot exceed the supply voltage,  $V_{CC}$  or go below ground,  $GND$ .  $R_L$  and  $R_H$  are electrically interchangeable.

$\overline{CS}$ : Chip Select

The chip select input is used to activate the control input of the CAT5113 and is active low. When in a high state, activity on the  $\overline{INC}$  and  $U/\overline{D}$  inputs will not affect or change the position of the wiper.

Device Operation

The CAT5113 operates like a digitally controlled potentiometer with  $R_H$  and  $R_L$  equivalent to the high and low terminals and  $R_W$  equivalent to the mechanical potentiometer's wiper. There are 100 available tap positions including the resistor end points,  $R_H$  and  $R_L$  terminals. The wiper terminal is connected to one of the 100 taps and controlled by three inputs,  $\overline{INC}$ ,  $U/\overline{D}$  and  $\overline{CS}$ . These inputs control a seven-bit up/down counter whose output is decoded to select the wiper position. The selected wiper position can be stored in nonvolatile memory using the  $\overline{INC}$  and  $\overline{CS}$  inputs.

With  $\overline{CS}$  set LOW the CAT5113 is selected and will respond to the  $U/\overline{D}$  and  $\overline{INC}$  inputs. HIGH to LOW transitions on  $\overline{INC}$  will increment or decrement the wiper (depending on the state of the  $U/\overline{D}$  input and seven-bit counter). The wiper, when at either fixed terminal, acts like its mechanical equivalent and does not move beyond the last position. The value of the counter is stored in nonvolatile memory whenever  $\overline{CS}$  transitions HIGH while the  $\overline{INC}$  input is also HIGH. When the CAT5113 is powered-down, the last stored wiper counter position is maintained in the nonvolatile memory. When power is restored, the contents of the memory are recalled and the counter is set to the value stored.

With  $\overline{INC}$  set low, the CAT5113 may be de-selected and powered down without storing the current wiper position in nonvolatile memory. This allows the system to always power up to a preset value stored in nonvolatile memory.

# CAT5113

**Table 1. OPERATION MODES**

| $\overline{\text{INC}}$ | $\overline{\text{CS}}$ | $\text{U}/\overline{\text{D}}$ | Operation                   |
|-------------------------|------------------------|--------------------------------|-----------------------------|
| High to Low             | Low                    | High                           | Wiper toward H              |
| High to Low             | Low                    | Low                            | Wiper toward L              |
| High                    | Low to High            | X                              | Store Wiper Position        |
| Low                     | Low to High            | X                              | No Store, Return to Standby |
| X                       | High                   | X                              | Standby                     |

**Table 2. ABSOLUTE MAXIMUM RATINGS**

| Parameters  | Ratings                       | Units |
|---|-------------------------------|-------|
| Supply Voltage<br>$V_{\text{CC}}$ to GND                          | -0.5 to +7                    | V     |
| Inputs<br>$\overline{\text{CS}}$ to GND                           | -0.5 to $V_{\text{CC}} + 0.5$ | V     |
| $\overline{\text{INC}}$ to GND                                    | -0.5 to $V_{\text{CC}} + 0.5$ | V     |
| $\text{U}/\overline{\text{D}}$ to GND                             | -0.5 to $V_{\text{CC}} + 0.5$ | V     |
| H to GND  | -0.5 to $V_{\text{CC}} + 0.5$ | V     |
| L to GND  | -0.5 to $V_{\text{CC}} + 0.5$ | V     |
| W to GND  | -0.5 to $V_{\text{CC}} + 0.5$ | V     |
| Operating Ambient Temperature<br>Commercial ('C' or Blank suffix) | 0 to 70                       | °C    |
| Industrial ('I' suffix)   | -40 to +85                    | °C    |
| Junction Temperature  | +150                          | °C    |
| Storage Temperature   | -65 to 150                    | °C    |
| Lead Soldering (10 s max)   | +300                          | °C    |

Stresses exceeding Maximum Ratings may damage the device. Maximum Ratings are stress ratings only. Functional operation above the Recommended Operating Conditions is not implied. Extended exposure to stresses above the Recommended Operating Conditions may affect device reliability.

**Table 3. RELIABILITY CHARACTERISTICS**

| Symbol                        | Parameter          | Test Method                   | Min       | Typ | Max | Units  |
|-------------------------------|--------------------|-------------------------------|-----------|-----|-----|--------|
| $V_{\text{ZAP}}$ (Note 1)     | ESD Susceptibility | MIL-STD-883, Test Method 3015 | 2000      |     |     | V      |
| $I_{\text{LTH}}$ (Notes 1, 2) | Latch-Up           | JEDEC Standard 17             | 100       |     |     | mA     |
| $T_{\text{DR}}$               | Data Retention     | MIL-STD-883, Test Method 1008 | 100       |     |     | Years  |
| $N_{\text{END}}$              | Endurance          | MIL-STD-883, Test Method 1003 | 1,000,000 |     |     | Stores |

1. This parameter is tested initially and after a design or process change that affects the parameter.
2. Latch-up protection is provided for stresses up to 100 mA on address and data pins from -1 V to  $V_{\text{CC}} + 1$  V

# CAT5113

**Table 4. DC ELECTRICAL CHARACTERISTICS** ( $V_{CC} = +2.5\text{ V to }+6\text{ V}$  unless otherwise specified)

| Symbol                               | Parameter                     | Conditions   | Min                 | Typ    | Max                 | Units                   |
|--------------------------------------|-------------------------------|--|---------------------|--------|---------------------|-------------------------|
| <b>POWER SUPPLY</b>                  |                               |  |                     |        |                     |                         |
| $V_{CC}$                             | Operating Voltage Range       |  | 2.5                 | –      | 6.0                 | V                       |
| $I_{CC1}$                            | Supply Current (Increment)    | $V_{CC} = 6\text{ V}, f = 1\text{ MHz}, I_W = 0$   | –                   | –      | 100                 | $\mu\text{A}$           |
|                                      |                               | $V_{CC} = 6\text{ V}, f = 250\text{ kHz}, I_W = 0$   | –                   | –      | 50                  | $\mu\text{A}$           |
| $I_{CC2}$                            | Supply Current (Write)        | Programming, $V_{CC} = 6\text{ V}$   | –                   | –      | 1000                | $\mu\text{A}$           |
|                                      |                               | $V_{CC} = 3\text{ V}$  | –                   | –      | 500                 | $\mu\text{A}$           |
| $I_{SB1}$ (Note 3)                   | Supply Current (Standby)      | $\overline{CS} = V_{CC} - 0.3\text{ V}$<br>$U/\overline{D}, \overline{INC} = V_{CC} - 0.3\text{ V}$ or GND | –                   | 0.01   | 1                   | $\mu\text{A}$           |
| <b>LOGIC INPUTS</b>                  |                               |  |                     |        |                     |                         |
| $I_{IH}$                             | Input Leakage Current         | $V_{IN} = V_{CC}$  | –                   | –      | 10                  | $\mu\text{A}$           |
| $I_{IL}$                             | Input Leakage Current         | $V_{IN} = 0\text{ V}$  | –                   | –      | –10                 | $\mu\text{A}$           |
| $V_{IH2}$                            | CMOS High Level Input Voltage | $2.5\text{ V} \leq V_{CC} \leq 6\text{ V}$   | $V_{CC} \times 0.7$ | –      | $V_{CC} + 0.3$      | V                       |
| $V_{IL2}$                            | CMOS Low Level Input Voltage  |  | –0.3                | –      | $V_{CC} \times 0.2$ | V                       |
| <b>POTENTIOMETER CHARACTERISTICS</b> |                               |  |                     |        |                     |                         |
| $R_{POT}$                            | Potentiometer Resistance      | –01 Device   |                     | 1      |                     | k $\Omega$              |
|                                      |                               | –10 Device   |                     | 10     |                     |                         |
|                                      |                               | –50 Device   |                     | 50     |                     |                         |
|                                      |                               | –00 Device   |                     | 100    |                     |                         |
|                                      | Pot. Resistance Tolerance     |  |                     |        | $\pm 20$            | %                       |
| $V_{RH}$                             | Voltage on $R_H$ pin          |  | 0                   |        | $V_{CC}$            | V                       |
| $V_{RL}$                             | Voltage on $R_L$ pin          |  | 0                   |        | $V_{CC}$            | V                       |
|                                      | Resolution                    |  |                     | 1      |                     | %                       |
| $INL$                                | Integral Linearity Error      | $I_W \leq 2\text{ }\mu\text{A}$  |                     | 0.5    | 1                   | LSB                     |
| $DNL$                                | Differential Linearity Error  | $I_W \leq 2\text{ }\mu\text{A}$  |                     | 0.25   | 0.5                 | LSB                     |
| $R_{WI}$                             | Wiper Resistance              | $V_{CC} = 5\text{ V}, I_W = 1\text{ mA}$   |                     |        | 400                 | $\Omega$                |
|                                      |                               | $V_{CC} = 2.5\text{ V}, I_W = 1\text{ mA}$   |                     |        | 1000                | $\Omega$                |
| $I_W$                                | Wiper Current                 | (Note 4)   | –4.4                |        | 4.4                 | mA                      |
| $TC_{RPOT}$                          | TC of Pot Resistance          |  |                     | 300    |                     | ppm/ $^{\circ}\text{C}$ |
| $TC_{RATIO}$                         | Ratiometric TC                |  |                     |        | 20                  | ppm/ $^{\circ}\text{C}$ |
| $V_N$                                | Noise                         | 100 kHz / 1 kHz  |                     | 8/24   |                     | nV/ $\sqrt{\text{Hz}}$  |
| $C_H/C_L/C_W$                        | Potentiometer Capacitances    |  |                     | 8/8/25 |                     | pF                      |
| $f_c$                                | Frequency Response            | Passive Attenuator, 10 k $\Omega$  |                     | 1.7    |                     | MHz                     |

3. Latch-up protection is provided for stresses up to 100 mA on address and data pins from  $-1\text{ V}$  to  $V_{CC} + 1\text{ V}$

4. This parameter is not 100% tested.

**Table 5. AC TEST CONDITIONS**

|                           |  |
|---------------------------|--|
| V <sub>CC</sub> Range     | 2.5 V ≤ V <sub>CC</sub> ≤ 6 V              |
| Input Pulse Levels        | 0.2 V <sub>CC</sub> to 0.7 V <sub>CC</sub> |
| Input Rise and Fall Times | 10 ns                                      |
| Input Reference Levels    | 0.5 V <sub>CC</sub>                        |

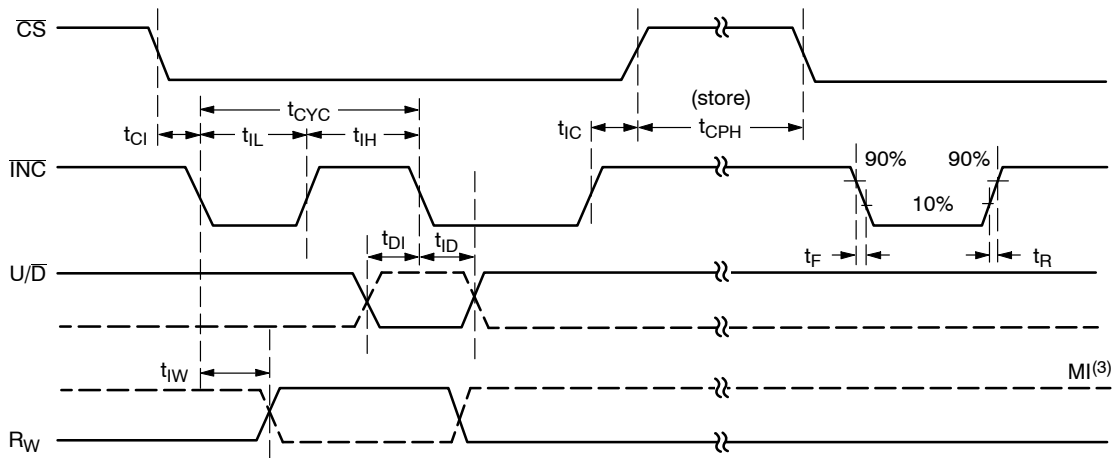
**Table 6. AC OPERATING CHARACTERISTICS** (V<sub>CC</sub> = +2.5 V to +6.0 V, V<sub>H</sub> = V<sub>CC</sub>, V<sub>L</sub> = 0 V, unless otherwise specified)

| Symbol                                   | Parameter   | Min | Typ (Note 5) | Max | Units |
|--|---|-----|--------------|-----|-------|
| t <sub>CI</sub>                          | $\overline{CS}$ to $\overline{INC}$ Setup             | 100 | -            | -   | ns    |
| t <sub>DI</sub>                          | U/ $\overline{D}$ to $\overline{INC}$ Setup           | 50  | -            | -   | ns    |
| t <sub>ID</sub>                          | U/ $\overline{D}$ to $\overline{INC}$ Hold            | 100 | -            | -   | ns    |
| t <sub>IL</sub>                          | $\overline{INC}$ LOW Period                           | 250 | -            | -   | ns    |
| t <sub>IH</sub>                          | $\overline{INC}$ HIGH Period                          | 250 | -            | -   | ns    |
| t <sub>IC</sub>                          | $\overline{INC}$ Inactive to $\overline{CS}$ Inactive | 1   | -            | -   | μs    |
| t <sub>CPH</sub>                         | $\overline{CS}$ Deselect Time (NO STORE)              | 100 | -            | -   | ns    |
| t <sub>CPH</sub>                         | $\overline{CS}$ Deselect Time (STORE)                 | 10  | -            | -   | ms    |
| t <sub>IW</sub>                          | $\overline{INC}$ to V <sub>OUT</sub> Change           | -   | 1            | 5   | μs    |
| t <sub>CYC</sub>                         | $\overline{INC}$ Cycle Time                           | 1   | -            | -   | μs    |
| t <sub>R</sub> , t <sub>F</sub> (Note 6) | $\overline{INC}$ Input Rise and Fall Time             | -   | -            | 500 | μs    |
| t <sub>PU</sub> (Note 6)                 | Power-up to Wiper Stable                              | -   | -            | 1   | ms    |
| t <sub>WR</sub>                          | Store Cycle   | -   | 5            | 10  | ms    |

5. Typical values are for T<sub>A</sub> = 25°C and nominal supply voltage.

6. This parameter is periodically sampled and not 100% tested.

7. MI in the A.C. Timing diagram refers to the minimum incremental change in the W output due to a change in the wiper position.



**Figure 4. A.C. Timing**

# CAT5113

## Applications Information

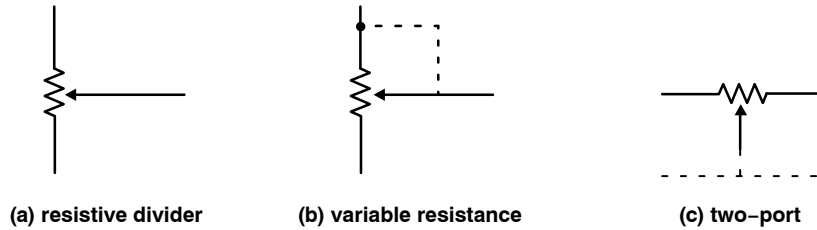


Figure 5. Potentiometer Configuration

## Applications

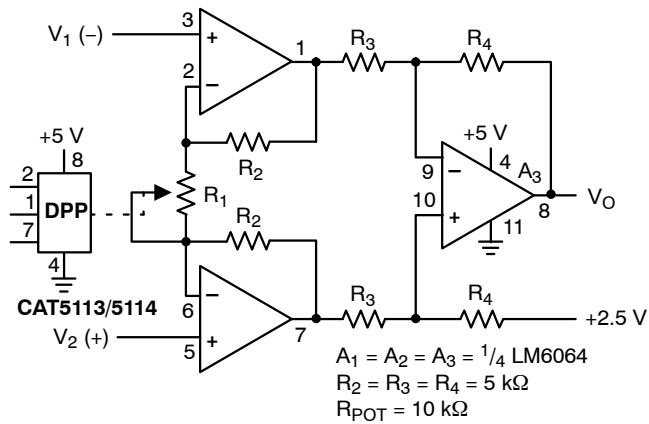


Figure 6. Programmable Instrumentation Amplifier

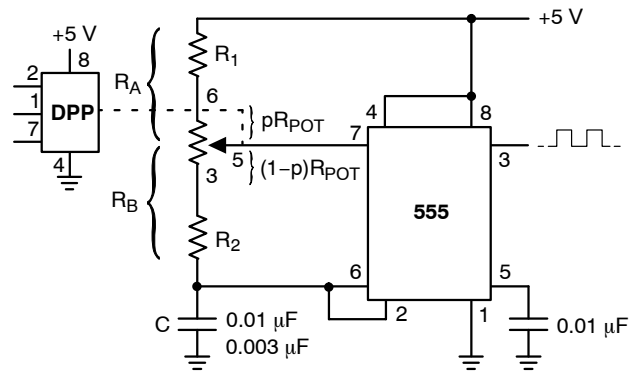


Figure 7. Programmable Sq. Wave Oscillator (555)

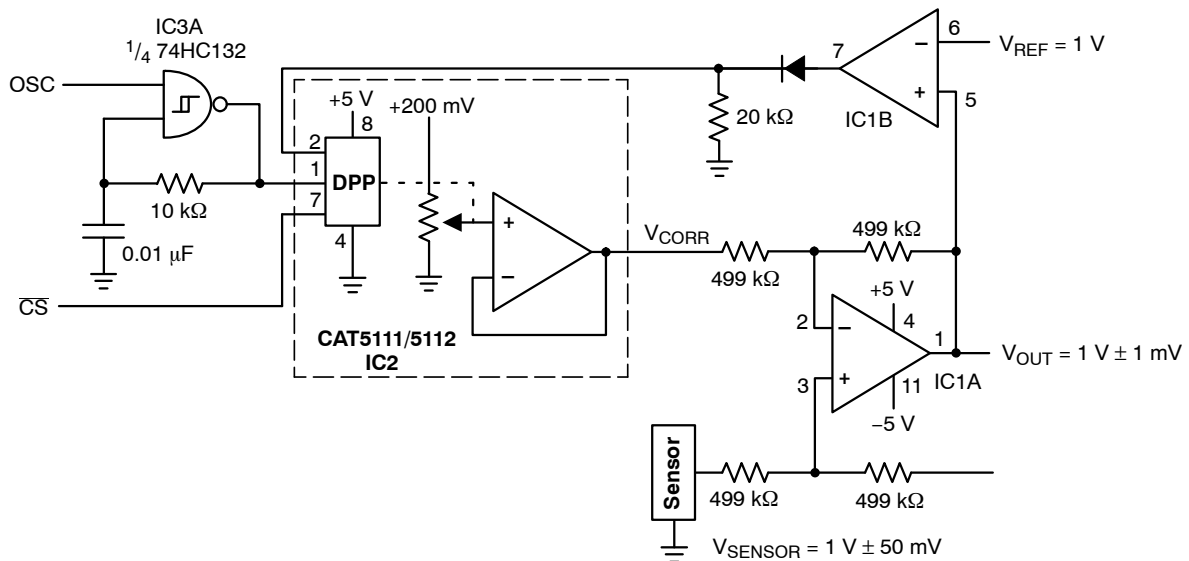


Figure 8. Sensor Auto Referencing Circuit

# CAT5113

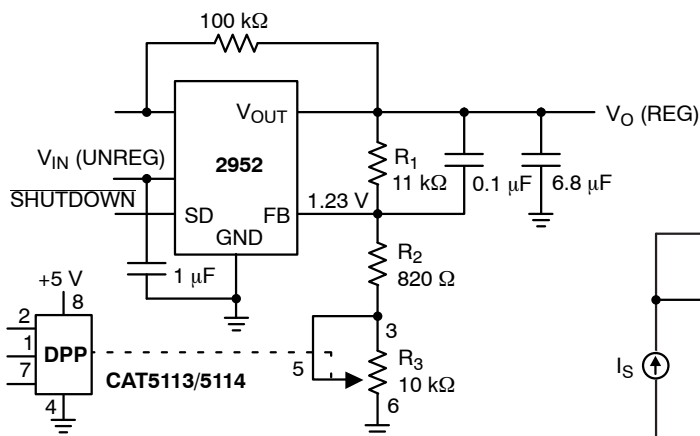


Figure 9. Programmable Voltage Regulator

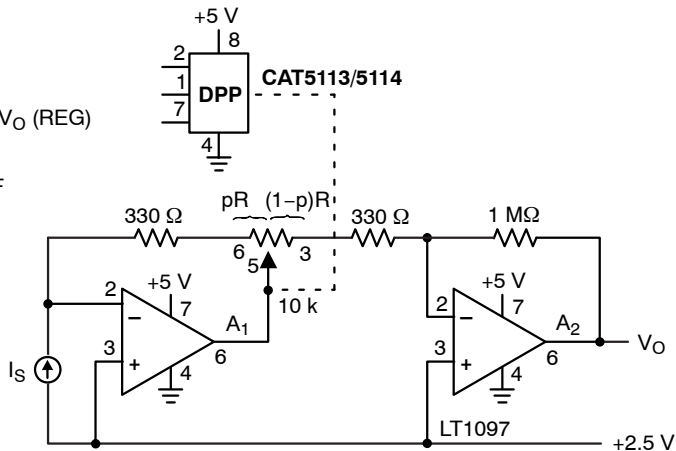


Figure 10. Programmable I to V Converter

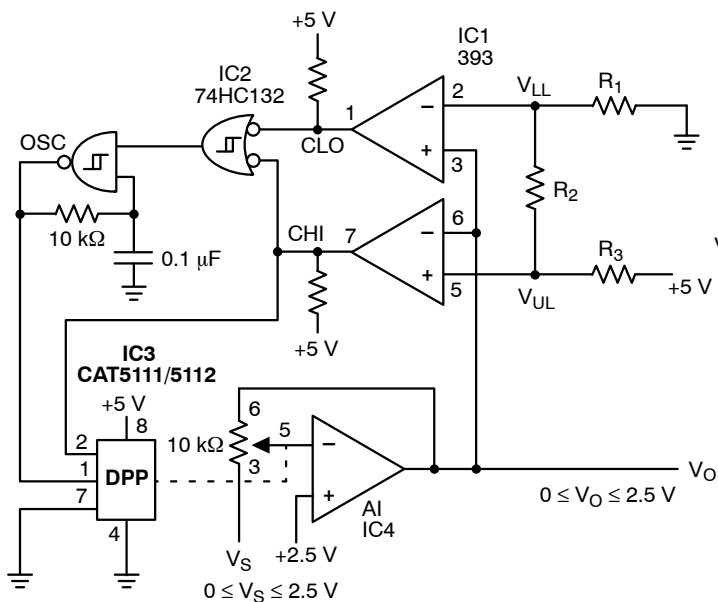


Figure 11. Automatic Gain Control

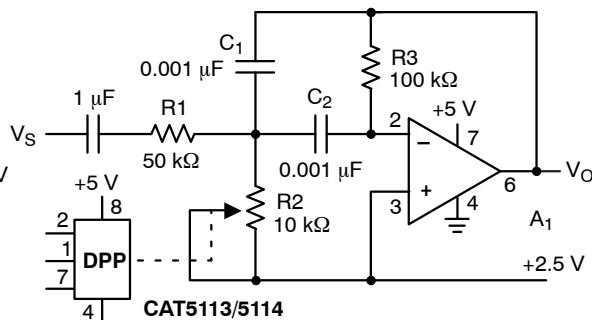


Figure 12. Programmable Bandpass Filter

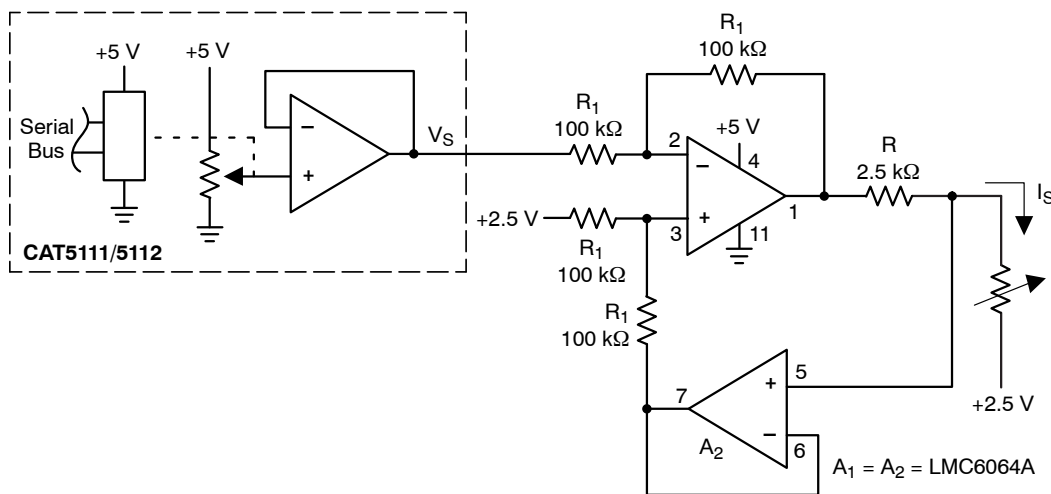


Figure 13. Programmable Current Source/Sink



# CAT5113

**Table 7. ORDERING INFORMATION**

| Orderable Part Number | Resistance (kΩ) | Lead Finish | Package-Pins         | Shipping <sup>†</sup> |
|-----------------------|-----------------|-------------|----------------------|-----------------------|
| CAT5113LI-01-G        | 1               | NiPdAu      | PDIP-8<br>(Pb-Free)  | 50 Units / Rail       |
| CAT5113LI-10-G        | 10              |             |                      |                       |
| CAT5113LI-50-G        | 50              |             |                      |                       |
| CAT5113LI-00-G        | 100             |             |                      |                       |
| CAT5113VI-01-GT3      | 1               | NiPdAu      | SOIC-8<br>(Pb-Free)  | 3000 / Tape & Reel    |
| CAT5113VI-10-GT3      | 10              |             |                      |                       |
| CAT5113VI-50-GT3      | 50              |             |                      |                       |
| CAT5113VI-00-GT3      | 100             |             |                      |                       |
| CAT5113YI-01-GT3      | 1               | NiPdAu      | TSSOP-8<br>(Pb-Free) | 3000 / Tape & Reel    |
| CAT5113YI-10-GT3      | 10              |             |                      |                       |
| CAT5113YI-50-GT3      | 50              |             |                      |                       |
| CAT5113YI-00-GT3      | 100             |             |                      |                       |
| CAT5113ZI-01-T3       | 1               | Matte-Tin   | MSOP-8<br>(Pb-Free)  | 3000 / Tape & Reel    |
| CAT5113ZI-10-T3       | 10              |             |                      |                       |
| CAT5113ZI-50-T3       | 50              |             |                      |                       |
| CAT5113ZI-00-T3       | 100             |             |                      |                       |

<sup>†</sup>For information on tape and reel specifications, including part orientation and tape sizes, please refer to our Tape and Reel Packaging Specifications Brochure, BRD8011/D.

8. All packages are RoHS-compliant (Pb-Free, Halogen-Free).

9. The standard lead finish is NiPdAu, except MSOP package is Matte-Tin.

10. Contact factory for Matte-Tin finish availability for PDIP, SOIC and TSSOP packages.

# CAT5113

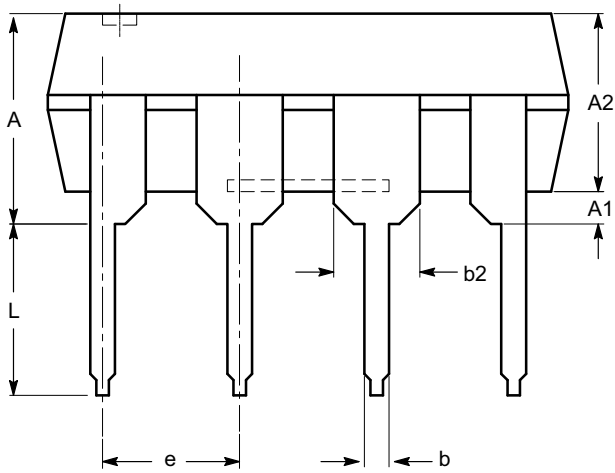
## PACKAGE DIMENSIONS

PDIP-8, 300 mils  
CASE 646AA-01  
ISSUE A



| SYMBOL | MIN      | NOM  | MAX   |
|--------|----------|------|-------|
| A      |          |      | 5.33  |
| A1     | 0.38     |      |       |
| A2     | 2.92     | 3.30 | 4.95  |
| b      | 0.36     | 0.46 | 0.56  |
| b2     | 1.14     | 1.52 | 1.78  |
| c      | 0.20     | 0.25 | 0.36  |
| D      | 9.02     | 9.27 | 10.16 |
| E      | 7.62     | 7.87 | 8.25  |
| E1     | 6.10     | 6.35 | 7.11  |
| e      | 2.54 BSC |      |       |
| eB     | 7.87     |      | 10.92 |
| L      | 2.92     | 3.30 | 3.80  |

TOP VIEW



SIDE VIEW



END VIEW

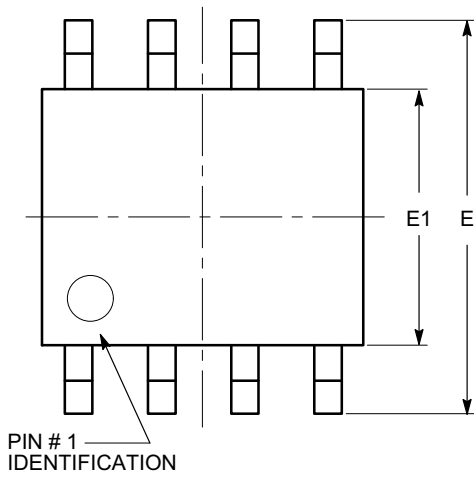
**Notes:**

- (1) All dimensions are in millimeters.
- (2) Complies with JEDEC MS-001.

# CAT5113

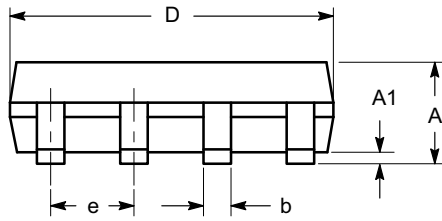
## PACKAGE DIMENSIONS

SOIC 8, 150 mils  
CASE 751BD-01  
ISSUE O

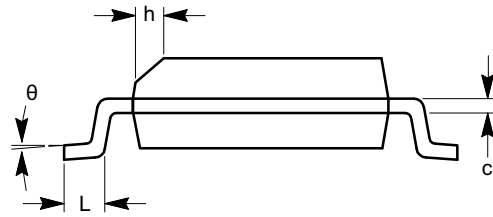


TOP VIEW

| SYMBOL   | MIN      | NOM | MAX  |
|----------|----------|-----|------|
| A        | 1.35     |     | 1.75 |
| A1       | 0.10     |     | 0.25 |
| b        | 0.33     |     | 0.51 |
| c        | 0.19     |     | 0.25 |
| D        | 4.80     |     | 5.00 |
| E        | 5.80     |     | 6.20 |
| E1       | 3.80     |     | 4.00 |
| e        | 1.27 BSC |     |      |
| h        | 0.25     |     | 0.50 |
| L        | 0.40     |     | 1.27 |
| $\theta$ | 0°       |     | 8°   |



SIDE VIEW



END VIEW

**Notes:**

- (1) All dimensions are in millimeters. Angles in degrees.
- (2) Complies with JEDEC MS-012.

# CAT5113

## PACKAGE DIMENSIONS

TSSOP8, 4.4x3  
CASE 948AL-01  
ISSUE O



| SYMBOL   | MIN      | NOM  | MAX  |
|----------|----------|------|------|
| A        |          |      | 1.20 |
| A1       | 0.05     |      | 0.15 |
| A2       | 0.80     | 0.90 | 1.05 |
| b        | 0.19     |      | 0.30 |
| c        | 0.09     |      | 0.20 |
| D        | 2.90     | 3.00 | 3.10 |
| E        | 6.30     | 6.40 | 6.50 |
| E1       | 4.30     | 4.40 | 4.50 |
| e        | 0.65 BSC |      |      |
| L        | 1.00 REF |      |      |
| L1       | 0.50     | 0.60 | 0.75 |
| $\theta$ | 0°       |      | 8°   |

TOP VIEW



SIDE VIEW



END VIEW

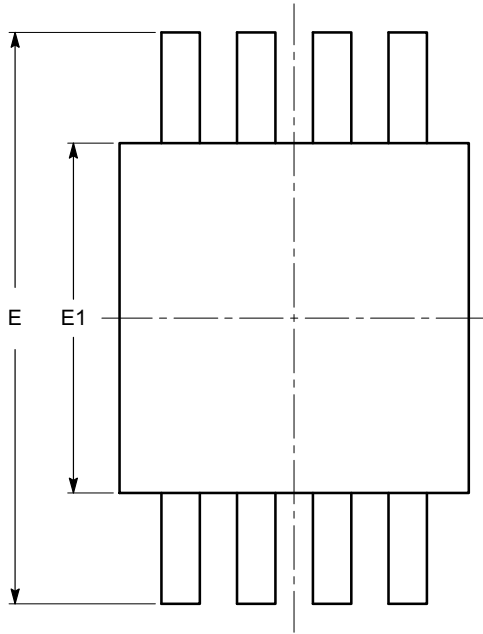
**Notes:**

- (1) All dimensions are in millimeters. Angles in degrees.
- (2) Complies with JEDEC MO-153.

# CAT5113

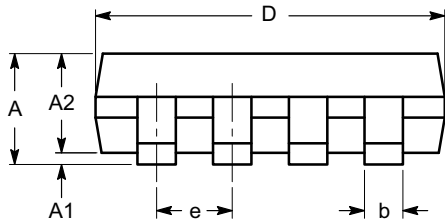
## PACKAGE DIMENSIONS

MSOP 8, 3x3  
CASE 846AD-01  
ISSUE O

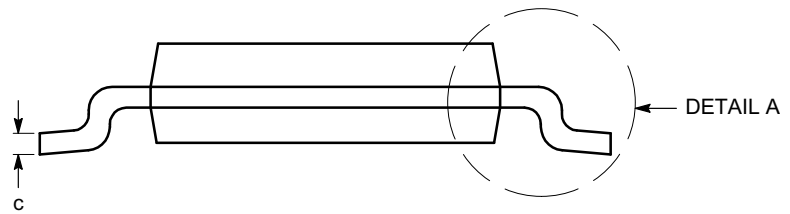


TOP VIEW

| SYMBOL   | MIN      | NOM  | MAX  |
|----------|----------|------|------|
| A        |          |      | 1.10 |
| A1       | 0.05     | 0.10 | 0.15 |
| A2       | 0.75     | 0.85 | 0.95 |
| b        | 0.22     |      | 0.38 |
| c        | 0.13     |      | 0.23 |
| D        | 2.90     | 3.00 | 3.10 |
| E        | 4.80     | 4.90 | 5.00 |
| E1       | 2.90     | 3.00 | 3.10 |
| e        | 0.65 BSC |      |      |
| L        | 0.40     | 0.60 | 0.80 |
| L1       | 0.95 REF |      |      |
| L2       | 0.25 BSC |      |      |
| $\theta$ | 0°       |      | 6°   |



SIDE VIEW



END VIEW



DETAIL A

**Notes:**

- (1) All dimensions are in millimeters. Angles in degrees.
- (2) Complies with JEDEC MO-187.

**ON Semiconductor** and  are registered trademarks of Semiconductor Components Industries, LLC (SCILLC). SCILLC reserves the right to make changes without further notice to any products herein. SCILLC makes no warranty, representation or guarantee regarding the suitability of its products for any particular purpose, nor does SCILLC assume any liability arising out of the application or use of any product or circuit, and specifically disclaims any and all liability, including without limitation special, consequential or incidental damages. "Typical" parameters which may be provided in SCILLC data sheets and/or specifications can and do vary in different applications and actual performance may vary over time. All operating parameters, including "Typicals" must be validated for each customer application by customer's technical experts. SCILLC does not convey any license under its patent rights nor the rights of others. SCILLC products are not designed, intended, or authorized for use as components in systems intended for surgical implant into the body, or other applications intended to support or sustain life, or for any other application in which the failure of the SCILLC product could create a situation where personal injury or death may occur. Should Buyer purchase or use SCILLC products for any such unintended or unauthorized application, Buyer shall indemnify and hold SCILLC and its officers, employees, subsidiaries, affiliates, and distributors harmless against all claims, costs, damages, and expenses, and reasonable attorney fees arising out of, directly or indirectly, any claim of personal injury or death associated with such unintended or unauthorized use, even if such claim alleges that SCILLC was negligent regarding the design or manufacture of the part. SCILLC is an Equal Opportunity/Affirmative Action Employer. This literature is subject to all applicable copyright laws and is not for resale in any manner.

## PUBLICATION ORDERING INFORMATION

### LITERATURE FULFILLMENT:

Literature Distribution Center for ON Semiconductor  
P.O. Box 5163, Denver, Colorado 80217 USA  
**Phone:** 303-675-2175 or 800-344-3860 Toll Free USA/Canada  
**Fax:** 303-675-2176 or 800-344-3867 Toll Free USA/Canada  
**Email:** [orderlit@onsemi.com](mailto:orderlit@onsemi.com)

**N. American Technical Support:** 800-282-9855 Toll Free  
USA/Canada  
**Europe, Middle East and Africa Technical Support:**  
Phone: 421 33 790 2910  
**Japan Customer Focus Center**  
Phone: 81-3-5817-1050

**ON Semiconductor Website:** [www.onsemi.com](http://www.onsemi.com)  
**Order Literature:** <http://www.onsemi.com/orderlit>  
For additional information, please contact your local  
Sales Representative



Компания «ЭлектроПласт» предлагает заключение долгосрочных отношений при поставках импортных электронных компонентов на взаимовыгодных условиях!

Наши преимущества:

- Оперативные поставки широкого спектра электронных компонентов отечественного и импортного производства напрямую от производителей и с крупнейших мировых складов;
- Поставка более 17-ти миллионов наименований электронных компонентов;
- Поставка сложных, дефицитных, либо снятых с производства позиций;
- Оперативные сроки поставки под заказ (от 5 рабочих дней);
- Экспресс доставка в любую точку России;
- Техническая поддержка проекта, помощь в подборе аналогов, поставка прототипов;
- Система менеджмента качества сертифицирована по Международному стандарту ISO 9001;
- Лицензия ФСБ на осуществление работ с использованием сведений, составляющих государственную тайну;
- Поставка специализированных компонентов (Xilinx, Altera, Analog Devices, Intersil, Interpoint, Microsemi, Aeroflex, Peregrine, Syfer, Eurofarad, Texas Instrument, Miteq, Cobham, E2V, MA-COM, Hittite, Mini-Circuits, General Dynamics и др.);

Помимо этого, одним из направлений компании «ЭлектроПласт» является направление «Источники питания». Мы предлагаем Вам помощь Конструкторского отдела:

- Подбор оптимального решения, техническое обоснование при выборе компонента;
- Подбор аналогов;
- Консультации по применению компонента;
- Поставка образцов и прототипов;
- Техническая поддержка проекта;
- Защита от снятия компонента с производства.



#### Как с нами связаться

**Телефон:** 8 (812) 309 58 32 (многоканальный)

**Факс:** 8 (812) 320-02-42

**Электронная почта:** [org@eplast1.ru](mailto:org@eplast1.ru)

**Адрес:** 198099, г. Санкт-Петербург, ул. Калинина, дом 2, корпус 4, литера А.