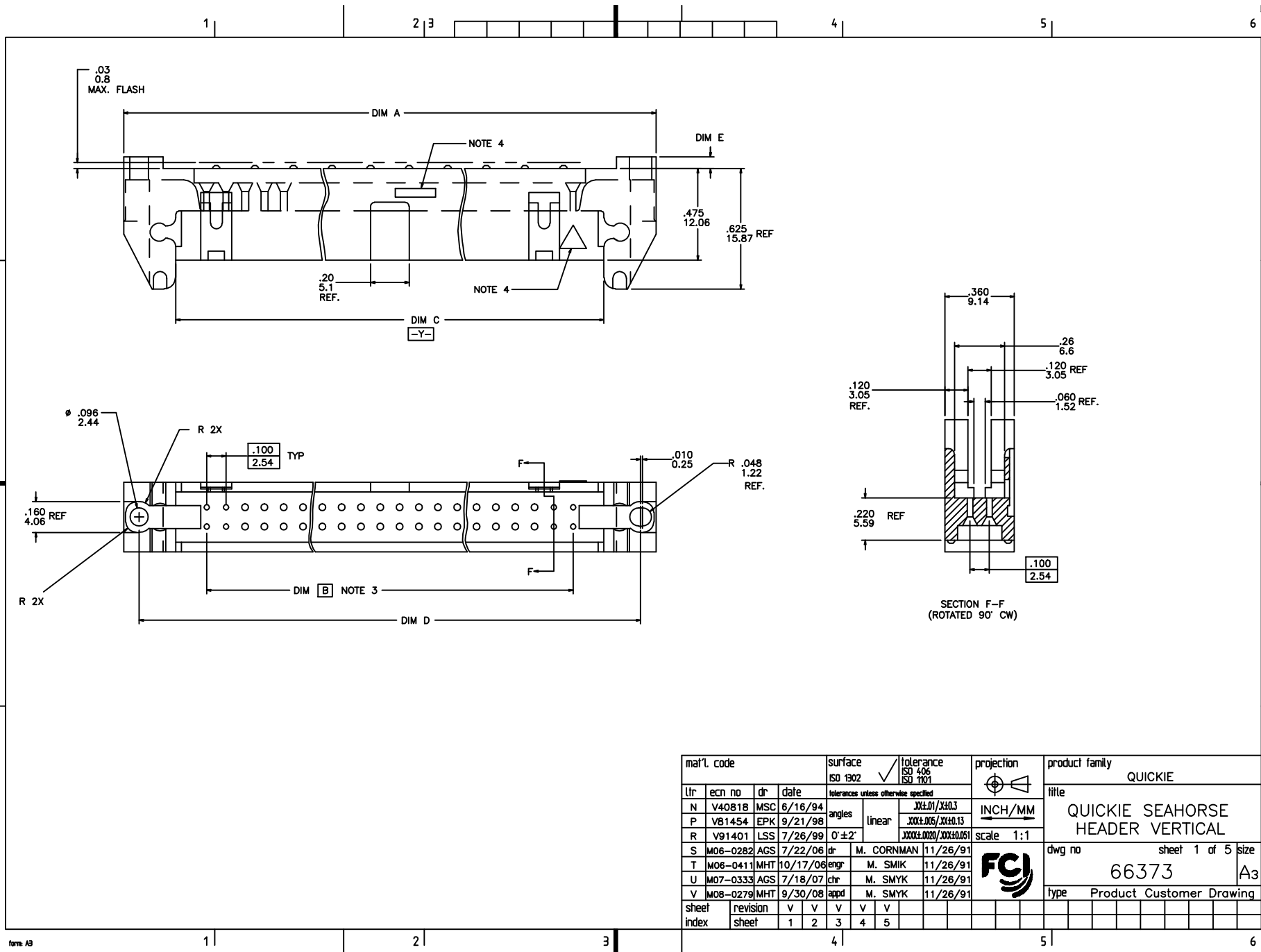


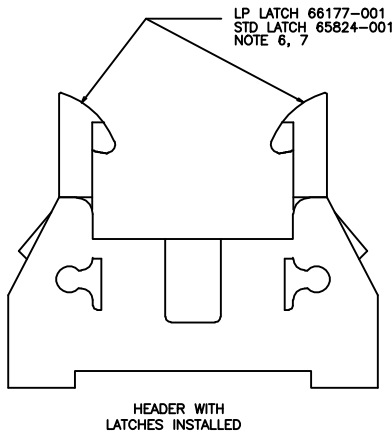
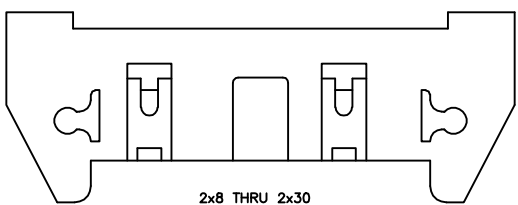
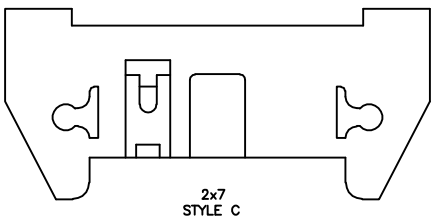
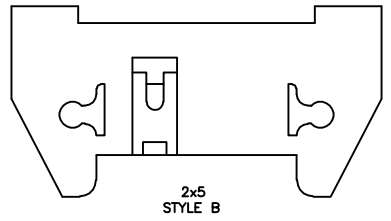
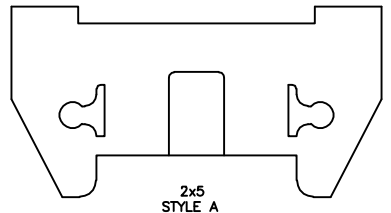


FCJconnect.com

Copyright FCJ



mat'l. code				surface ISO 1302		tolerance ISO 406 ISO 7001		projection ISO 1001		product family QUICKIE	
ltr	ecn no	dr	date	tolerances unless otherwise specified							
N	V40818	MSC	6/16/94	angles	XXX.X/XXX.3		INCH/MM		title QUICKIE SEAHORSE HEADER VERTICAL		
P	V81454	EPK	9/21/98	linear	XXX.X/XXX.13		scale 1:1		dwg no 66373		
R	V91401	LSS	7/26/99	0°±2'	XXX.X/XXX.051		FCJ		sheet 1 of 5 size A3		
S	M06-0282	AGS	7/22/06	dr	M. CORNMAN	11/26/91	type Product Customer Drawing				
T	M06-0411	MHT	10/17/06	engr	M. SMIK	11/26/91					
U	M07-0333	AGS	7/18/07	chr	M. SMYK	11/26/91					
V	M08-0279	MHT	9/30/08	appd	M. SMYK	11/26/91					
sheet	revision	V	V	V	V	V					
index	sheet	1	2	3	4	5					



NOTES:

- ① MOLDING MAT'L: 30% GLASS FILLED POLYESTER, FLAME RETARDANT PER UL-94VE-0, COLOR: BLUE. OR MINERAL FILLED LCP FLAME RETARDANT PER UL-94V-0. COLOR: BLACK.
2. 1' MAX DRAFT PERMISSIBLE ON ALL SURFACES UNLESS OTHERWISE SPECIFIED.
- ③  BASIC DIM SHALL BE LOCATED SYMMETRICAL TO DATUM -Y--.
- ④ TRIANGLE, AND DUPONT LOGO LOCATION TO BE OPTIONAL.
5. RECOMMENDED MOUNTING SCREW SIZE: #2-56 FILLISTER HEAD MACHINE SCREW, 1/4" LONG FOR 1/16" AND 3/32" BOARD, 5/16" LONG FOR 1/8" BOARD.
- ⑥ LP LATCHES TO BE USED WITH FEMALE CONNECTOR WITHOUT STRAIN RELIEF, STANDARD LATCHES TO BE USED WITH FEMALE CONNECTOR WITH STRAIN RELIEF.
- ⑦ HIGH TEMPERATURE MOLDING MAT'L : 30% GLASS FILLED PCT - COLOR - BLACK  
ADD AN "H" AT THE END OF THE P/N. THE FOLLOWING LATCHES WILL BE SUBSTITUTED WHEN THE "H" APPEARS AT THE END OF THE P/N.  
65824-007 (STANDARD - HT BLACK)  
66177-004 (LOW PROFILE - HT BLACK)
- ⑧ ADD "LF" SUFFIX AT THE END OF PART NUMBER FOR LEAD FREE OPTION.
9. THE HIGH TEMPERATURE HOUSING WILL WITHSTAND EXPOSURE TO 260°C PEAK TEMPERATURE FOR 15 SECONDS IN A WAVE SOLDER APPLICATION WITH A 1.5mm IF THEY ARE AVAILABLE.
10. THIS PRODUCT MEETS EUROPEAN UNION DIRECTIVES AND OTHER COUNTRY REGULATION AS DESCRIBED IN GS-22-008.



Copyright FCJ

mat'l. code		surface ISO 406 ISO 7001	tolerance ISO 7001	projection INCH/MM	product family QUICKIE
ltr	ec'n no	dr	date	title QUICKIE SEAHORSE HEADER VERTICAL	
v				linear XXX±.01/XXX±.03 XXX±.005/XXX±.013 XXX±.0020/XXX±0.051	scale 1:1
				dr M. CORNMANN 11/26/91	dwg no 66373
				engr M. SMIK 11/26/91	sheet 2 of 5 size A3
				chr M. SMYK 11/26/91	type Product Customer Drawing
				appd M. SMYK 11/26/91	
sheet	revision				
index	sheet				

PRODUCT NO. NOTE B	SIZE	DIM A	DIM B	DIM C	DIM D	DIM E	LATCHES NOTE 6	STYLE	RETENTIVE HOLES
66373-085 THRU 66373-100	UNAVAILABLE								
66373-101	2x5	1.260/32,000	.400/10,160	.720/18,290	1.100/27,940	.060/1,520	NO	A	YES
-102	2x7	1.460/37,080	.600/15,240	.920/23,370	1.300/33,020			C	
-103	2x8	1.560/39,620	.700/17,780	1.020/25,910	1.400/35,560			D	
-104	2x10	1.760/44,700	.900/22,860	1.220/30,990	1.600/40,640				
-105	2x13	2.060/52,320	1.200/30,480	1.520/38,610	1.900/48,260				
-106	2x17	2.460/62,480	1.600/40,460	1.920/48,770	2.300/58,420				
-107	2x20	2.760/70,100	1.900/48,260	2.220/56,290	2.600/76,040				
-108	2x25	3.260/82,800	2.400/60,960	2.720/69,090	3.100/78,740				
-109	2x30	3.760/95,500	2.900/73,660	3.220/81,790	3.600/91,440		NO	D	
-110	2x5	1.260/32,000	.400/10,160	.720/18,290	1.100/27,940		STD	A	
-111	2x7	1.460/37,080	.600/15,240	.920/23,370	1.300/33,020			C	
-112	2x8	1.560/39,620	.700/17,780	1.020/25,910	1.400/35,560			D	
-113	2x10	1.760/44,700	.900/22,860	1.220/30,990	1.600/40,640				
-114	2x13	2.060/52,320	1.200/30,480	1.520/38,610	1.900/48,260				
-115	2x17	2.460/62,480	1.600/40,460	1.920/48,770	2.300/58,420				
-116	2x20	2.760/70,100	1.900/48,260	2.220/56,290	2.600/76,040				
-117	2x25	3.260/82,800	2.400/60,960	2.720/69,090	3.100/78,740				
-118	2x30	3.760/95,500	2.900/73,660	3.220/81,790	3.600/91,440		STD	D	
-119	2x5	1.260/32,000	.400/10,160	.720/18,290	1.100/27,940		LP	A	
-120	2x7	1.460/37,080	.600/15,240	.920/23,370	1.300/33,020		LP	C	
-121	2x8	1.560/39,620	.700/17,780	1.020/25,910	1.400/35,560	.060/1,520	LP	D	
-122	2x10	1.760/44,700	.900/22,860	1.220/30,990	1.600/40,640	.060/1,520	LP	D	
-123	2x13	2.060/52,320	1.200/30,480	1.520/38,610	1.900/48,260				
-124	2x17	2.460/62,480	1.600/40,460	1.920/48,770	2.300/58,420				
-125	2x20	2.760/70,100	1.900/48,260	2.220/56,290	2.600/76,040				
-126	2x25	3.260/82,800	2.400/60,960	2.720/69,090	3.100/78,740				
-127	2x30	3.760/95,500	2.900/73,660	3.220/81,790	3.600/91,440		LP	D	
-128	2x5	1.260/32,000	.400/10,160	.720/18,290	1.100/27,940		NO	B	
-129	2x5	1.260/32,000	.400/10,160	.720/18,290	1.100/27,940		STD	B	
66373-130	2x5	1.260/32,000	.400/10,160	.720/18,290	1.100/27,940	.060/1,520	LP	B	YES

mat'l. code		surface		tolerance		projection		product family	
		ISO 1902		ISO 406		FIRST ANGLE		QUICKIE	
ltr		ecn no		dr		date		title	
v								QUICKIE SEAHORSE HEADER VERTICAL	
		angles		linear		INCH/MM		scale 1:1	
		0° ± 2'		XXX ± .01 / XXX ± .03		XXX ± .06 / XXX ± .13		dwg no	
				XXX ± .020 / XXX ± .051		FCJ		sheet 3 of 5 size	
		dr		engr		chr		66373 A3	
		M. CORNMAN		M. SMIK		M. SMYK		type	
		11/26/91		11/26/91		11/26/91		Product Customer Drawing	
sheet		revision							
index		sheet							



Copyright FCJ

PRODUCT NO. NOTE 8	SIZE	DIM A	DIM B	DIM C	DIM D	DIM E	LATCHES NOTE 6	STYLE	RETENTIVE HOLES
66373-131	2x5	1.260/32,000	.400/10,160	.720/18,290	1.100/27,940	.105/2,670	NO	A	YES
-132	2x7	1.460/37,080	.600/15,240	.920/23,370	1.300/33,020			C	
-133	2x8	1.560/39,620	.700/17,780	1.020/25,910	1.400/35,560			D	
-134	2x10	1.760/44,700	.900/22,860	1.220/30,990	1.600/40,640			D	
-135	2x13	2.060/52,320	1.200/30,480	1.520/38,610	1.900/48,260			D	
-136	2x17	2.460/62,480	1.600/40,460	1.920/48,770	2.300/58,420		NO	D	
-137	2x20	2.760/70,100	1.900/48,260	2.220/56,290	2.600/76,040		NO	D	
-138	2x25	3.260/82,800	2.400/60,960	2.720/69,090	3.100/78,740		NO	D	
-139	2x30	3.760/95,500	2.900/73,660	3.220/81,790	3.600/91,440		NO	D	
-140	2x5	1.260/32,000	.400/10,160	.720/18,290	1.100/27,940		STD	A	
-141	2x7	1.460/37,080	.600/15,240	.920/23,370	1.300/33,020			C	
-142	2x8	1.560/39,620	.700/17,780	1.020/25,910	1.400/35,560			D	
-143	2x10	1.760/44,700	.900/22,860	1.220/30,990	1.600/40,640				
-144	2x13	2.060/52,320	1.200/30,480	1.520/38,610	1.900/48,260				
-145	2x17	2.460/62,480	1.600/40,460	1.920/48,770	2.300/58,420				
-146	2x20	2.760/70,100	1.900/48,260	2.220/56,290	2.600/76,040				
-147	2x25	3.260/82,800	2.400/60,960	2.720/69,090	3.100/78,740				
-148	2x30	3.760/95,500	2.900/73,660	3.220/81,790	3.600/91,440		STD	D	
-149	2x5	1.260/32,000	.400/10,160	.720/18,290	1.100/27,940		LP	A	
-150	2x7	1.460/37,080	.600/15,240	.920/23,370	1.300/33,020			C	
-151	2x8	1.560/39,620	.700/17,780	1.020/25,910	1.400/35,560			D	
-152	2x10	1.760/44,700	.900/22,860	1.220/30,990	1.600/40,640				
-153	2x13	2.060/52,320	1.200/30,480	1.520/38,610	1.900/48,260				
-154	2x17	2.460/62,480	1.600/40,460	1.920/48,770	2.300/58,420				
-155	2x20	2.760/70,100	1.900/48,260	2.220/56,290	2.600/76,040				
-156	2x25	3.260/82,800	2.400/60,960	2.720/69,090	3.100/78,740				
-157	2x30	3.760/95,500	2.900/73,660	3.220/81,790	3.600/91,440	.105/2,670	LP	D	
-158	2x5	1.260/32,000	.400/10,160	.720/18,290	1.100/27,940	.105/2,670	NO	B	
-159	2x5	1.260/32,000	.400/10,160	.720/18,290	1.100/27,940	.105/2,670	STD	B	
-160	2x5	1.260/32,000	.400/10,160	.720/18,290	1.100/27,940	.105/2,670	LP	B	
-161	2x18	2.560/65,020	1.700/43,180	2.020/51,310	2.400/60,960	.060/1,520	NO	D	
-162						.060/1,520	STD		
-163						.060/1,520	LP		
-164						.105/2,670	NO		
-165						.105/2,670	STD		
66373-166	2x18	2.560/65,020	1.700/43,180	2.020/51,310	2.400/60,960	.105/2,670	LP	D	YES



FCJconnect.com

Copyright FCJ

mat'l. code		surface	tolerance	projection	product family
ISO 902		ISO 406	ISO 7001		QUICKIE
ltr	ecn no	dr	date	title	
V				QUICKIE SEAHORSE HEADER VERTICAL	
angles		linear	linear	INCH/MM	scale 1:1
0° ± 2'		XXX±.01/XXX.03	XXX±.006/XXX.013		
		XXX±.0020/XXX±0.0051			
dr	M. CORNMAN	11/26/91			
engr	M. SMIK	11/26/91			
chr	M. SMYK	11/26/91			
appd	M. SMYK	11/26/91			
sheet	revision				
index	sheet				
				dwg no 66373 sheet 4 of 5 size A3	
				type Product Customer Drawing	

form A3

PRODUCT NO. NOTE 8	SIZE	DIM A	DIM B	DIM C	DIM D	DIM E	LATCHES NOTE 6	STYLE	RETENTIVE HOLES
66373-167	2x12	1.960/49,780	1.100/27.940	1.420/36.070	1.800/45.720	.060/1,520	NO	D	YES
-168	2x15	2.260/57,400	1.400/35.560	1.720/43.690	2.100/53.340	.060/1,520			
-169	2x22	2.960/75,180	2.100/53.340	2.420/61.470	2.800/71.120	.060/1,520			
-170	2x12	1.960/49,780	1.100/27.940	1.420/36.070	1.800/45.720	.105/2,670			
-171	2x15	2.260/57,400	1.400/35.560	1.720/43.690	2.100/53.340	.105/2,670			
-172	2x22	2.960/75,180	2.100/53.340	2.420/61.470	2.800/71.120	.105/2,670	NO		
-173	2x12	1.960/49,780	1.100/27.940	1.420/36.070	1.800/45.720	.060/1,520	STD		
-174	2x15	2.260/57,400	1.400/35.560	1.720/43.690	2.100/53.340	.060/1,520			
-175	2x22	2.960/75,180	2.100/53.340	2.420/61.470	2.800/71.120	.060/1,520			
-176	2x12	1.960/49,780	1.100/27.940	1.420/36.070	1.800/45.720	.105/2,670			
-177	2x15	2.260/57,400	1.400/35.560	1.720/43.690	2.100/53.340	.105/2,670			
-178	2x22	2.960/75,180	2.100/53.340	2.420/61.470	2.800/71.120	.105/2,670	STD		
-179	2x12	1.960/49,780	1.100/27.940	1.420/36.070	1.800/45.720	.060/1,520	LP		
-180	2x15	2.260/57,400	1.400/35.560	1.720/43.690	2.100/53.340	.060/1,520			
-181	2x22	2.960/75,180	2.100/53.340	2.420/61.470	2.800/71.120	.060/1,520			
-182	2x12	1.960/49,780	1.100/27.940	1.420/36.070	1.800/45.720	.105/2,670			
-183	2x15	2.260/57,400	1.400/35.560	1.720/43.690	2.100/53.340	.105/2,670			
-184	2x22	2.960/75,180	2.100/53.340	2.420/61.470	2.800/71.120	.105/2,670	LP	D	YES
-201	2x5	1.260/32.00	.400/10.16	.720/18.29	1.100/27.94	.060/1,520	NO	A	NO
-204	2x10	1.760/44.70	.900/22.86	1.220/30.99	1.600/40.64	.060/1,520	NO	D	NO
-206	2x17	2.460/62.48	1.600/40.46	1.920/48.77	2.300/58.42	.060/1,520	NO	D	NO
-210	2x5	1.260/32.00	.400/10.16	.720/18.29	1.100/27.94	.060/1,520	STD	A	NO
-236	2x17	2.460/62.48	1.600/40.46	1.920/48.77	2.300/58.42	.105/2,670	NO	D	NO
66373-245	2x17	2.460/62.48	1.600/40.46	1.920/48.77	2.300/58.42	.105/2,670	STD	D	NO



FCJconnect.com

Copyright FCJ

mat'l. code		surface	tolerance	projection	product family
ISO 1902		ISO 406	ISO 1101		QUICKIE
ltr	ecn no	dr	date	title	
V				QUICKIE SEAHORSE HEADER VERTICAL	
tolerances unless otherwise specified		linear		INCH/MM	scale 1:1
angles		0'±2'		FCJ	
dr		engr		dwg no	
M. CORNMAN 11/26/91		M. SMIK 11/26/91		sheet 5 of 5 size	
chr		appd		66373 A3	
M. SMYK 11/26/91		M. SMYK 11/26/91		type Product Customer Drawing	
sheet	revision				
index	sheet				

form A3 1 2 3 4 5 6



Компания «ЭлектроПласт» предлагает заключение долгосрочных отношений при поставках импортных электронных компонентов на взаимовыгодных условиях!

Наши преимущества:

- Оперативные поставки широкого спектра электронных компонентов отечественного и импортного производства напрямую от производителей и с крупнейших мировых складов;
- Поставка более 17-ти миллионов наименований электронных компонентов;
- Поставка сложных, дефицитных, либо снятых с производства позиций;
- Оперативные сроки поставки под заказ (от 5 рабочих дней);
- Экспресс доставка в любую точку России;
- Техническая поддержка проекта, помощь в подборе аналогов, поставка прототипов;
- Система менеджмента качества сертифицирована по Международному стандарту ISO 9001;
- Лицензия ФСБ на осуществление работ с использованием сведений, составляющих государственную тайну;
- Поставка специализированных компонентов (Xilinx, Altera, Analog Devices, Intersil, Interpoint, Microsemi, Aeroflex, Peregrine, Syfer, Eurofarad, Texas Instrument, Miteq, Cobham, E2V, MA-COM, Hittite, Mini-Circuits, General Dynamics и др.);

Помимо этого, одним из направлений компании «ЭлектроПласт» является направление «Источники питания». Мы предлагаем Вам помощь Конструкторского отдела:

- Подбор оптимального решения, техническое обоснование при выборе компонента;
- Подбор аналогов;
- Консультации по применению компонента;
- Поставка образцов и прототипов;
- Техническая поддержка проекта;
- Защита от снятия компонента с производства.



#### Как с нами связаться

**Телефон:** 8 (812) 309 58 32 (многоканальный)

**Факс:** 8 (812) 320-02-42

**Электронная почта:** [org@eplast1.ru](mailto:org@eplast1.ru)

**Адрес:** 198099, г. Санкт-Петербург, ул. Калинина, дом 2, корпус 4, литера А.