

325MHz, Single/Dual, Rail-to-Rail Input and Output, Low Distortion, Low Noise Precision Op Amps

FEATURES

- **Gain-Bandwidth Product: 325MHz**
- **Slew Rate: 140V/μs**
- **Wide Supply Range: 2.5V to 12.6V**
- **Large Output Current: 85mA**
- **Low Distortion, 5MHz: -80dBc**
- **Low Voltage Noise: 3.5nV/√Hz**
- Input Common Mode Range Includes Both Rails
- Output Swings Rail-to-Rail
- Input Offset Voltage (Rail-to-Rail): 550μV Max
- Common Mode Rejection: 106dB Typ
- Power Supply Rejection: 105dB Typ
- Unity-Gain Stable
- Power Down Pin (LT1806)
- Operating Temperature Range: -40°C to 85°C
- Single in SO-8 and 6-Pin Low Profile (1mm) ThinSOT™ Packages
- Dual in SO-8 and 8-Pin MSOP Packages

APPLICATIONS

- Low Voltage, High Frequency Signal Processing
- Driving A/D Converters
- Rail-to-Rail Buffer Amplifiers
- Active Filters
- Video Line Driver

LT, LT, LTC, LTM, Linear Technology and the Linear logo are registered trademarks of Linear Technology Corporation. ThinSOT is a trademark of Linear Technology Corporation. All other trademarks are the property of their respective owners.

DESCRIPTION

The LT[®]1806/LT1807 are single/dual low noise rail-to-rail input and output unity-gain stable op amps that feature a 325MHz gain-bandwidth product, a 140V/μs slew rate and a 85mA output current. They are optimized for low voltage, high performance signal conditioning systems.

The LT1806/LT1807 have a very low distortion of -80dBc at 5MHz, a low input referred noise voltage of 3.5nV/√Hz and a maximum offset voltage of 550μV that allows them to be used in high performance data acquisition systems.

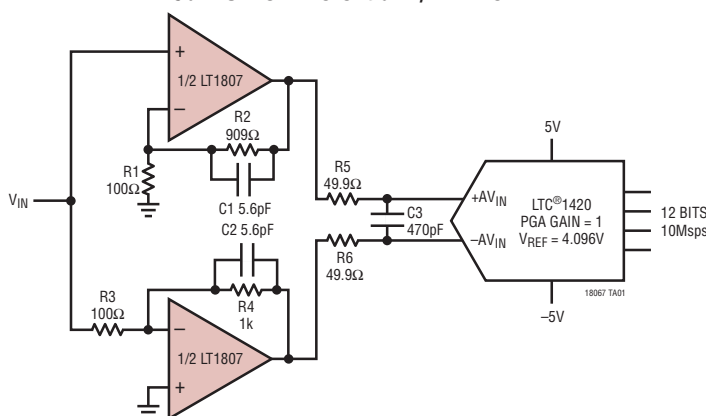
The LT1806/LT1807 have an input range that includes both supply rails and an output that swings within 20mV of either supply rail to maximize the signal dynamic range in low supply applications.

The LT1806/LT1807 maintain their performance for supplies from 2.5V to 12.6V and are specified at 3V, 5V and ±5V supplies. The inputs can be driven beyond the supplies without damage or phase reversal of the output.

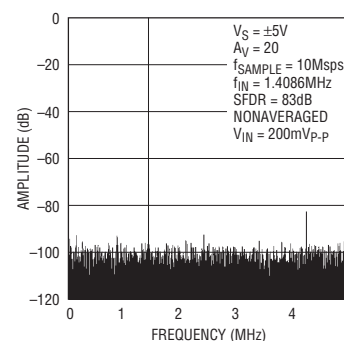
The LT1806 is available in an 8-pin SO package with the standard op amp pinout and a 6-pin TSOT-23 package. The LT1807 features the standard dual op amp pinout and is available in 8-pin SO and MSOP packages. These devices can be used as plug-in replacements for many op amps to improve input/output range and performance.

TYPICAL APPLICATION

Gain of 20 Differential A/D Driver



4096 Point FFT Response



18067 TA02

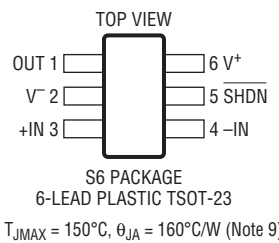
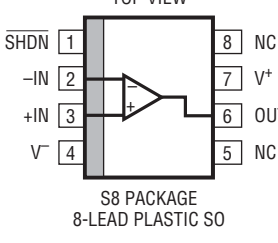
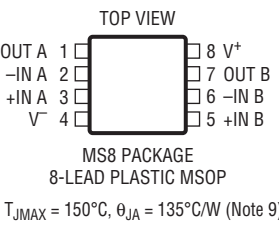
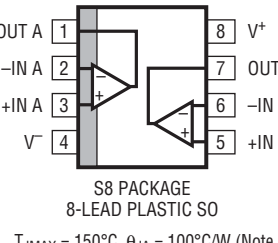
18067fc

LT1806/LT1807

ABSOLUTE MAXIMUM RATINGS (Note 1)

| | | | |
|---|---|---|--|
| Total Supply Voltage (V^+ to V^-) | 12.6V | Specified Temperature Range (Note 5) | -40°C to 85°C |
| Input Voltage (Note 2)..... | $\pm V_S$ | Junction Temperature | 150°C |
| Input Current (Note 2)..... | $\pm 10\text{mA}$ | Storage Temperature Range | -65°C to 150°C |
| Output Short-Circuit Duration (Note 3) | Indefinite | Lead Temperature (Soldering, 10 sec)..... | 300°C |
| Operating Temperature Range (Note 4) ... | -40°C to 85°C | | |

PIN CONFIGURATION

| | |
|---|---|
| <p style="text-align: center;">TOP VIEW</p>  <p style="text-align: center;">S6 PACKAGE 6-LEAD PLASTIC TSOT-23 $T_{JMAX} = 150^{\circ}\text{C}$, $\theta_{JA} = 160^{\circ}\text{C/W}$ (Note 9)</p> | <p style="text-align: center;">TOP VIEW</p>  <p style="text-align: center;">S8 PACKAGE 8-LEAD PLASTIC SO $T_{JMAX} = 150^{\circ}\text{C}$, $\theta_{JA} = 100^{\circ}\text{C/W}$ (Note 9)</p> |
| <p style="text-align: center;">TOP VIEW</p>  <p style="text-align: center;">MS8 PACKAGE 8-LEAD PLASTIC MSOP $T_{JMAX} = 150^{\circ}\text{C}$, $\theta_{JA} = 135^{\circ}\text{C/W}$ (Note 9)</p> | <p style="text-align: center;">TOP VIEW</p>  <p style="text-align: center;">S8 PACKAGE 8-LEAD PLASTIC SO $T_{JMAX} = 150^{\circ}\text{C}$, $\theta_{JA} = 100^{\circ}\text{C/W}$ (Note 9)</p> |

ORDER INFORMATION

| LEAD FREE FINISH | TAPE AND REEL | PART MARKING | PACKAGE DESCRIPTION | SPECIFIED TEMPERATURE RANGE |
|------------------|------------------|--------------|------------------------|---|
| LT1806CS6#PBF | LT1806CS6#TRPBF | LTNK | 6-Lead Plastic TSOT-23 | 0°C to 70°C |
| LT1806IS6#PBF | LT1806IS6#TRPBF | LTNL | 6-Lead Plastic TSOT-23 | -40°C to 85°C |
| LT1806CS8#PBF | LT1806CS8#TRPBF | 1806 | 8-Lead Plastic SO | 0°C to 70°C |
| LT1806IS8#PBF | LT1806IS8#TRPBF | 1806I | 8-Lead Plastic SO | -40°C to 85°C |
| LT1807CMS8#PBF | LT1807CMS8#TRPBF | LTTT | 8-Lead Plastic MSOP | 0°C to 70°C |
| LT1807IMS8#PBF | LT1807IMS8#TRPBF | LTTV | 8-Lead Plastic MSOP | -40°C to 85°C |
| LT1807CS8#PBF | LT1807CS8#TRPBF | 1807 | 8-Lead Plastic SO | 0°C to 70°C |
| LT1807IS8#PBF | LT1807IS8#TRPBF | 1807I | 8-Lead Plastic SO | -40°C to 85°C |

Consult LTC Marketing for parts specified with wider operating temperature ranges.

Consult LTC Marketing for information on non-standard lead based finish parts.

For more information on lead free part marking, go to: <http://www.linear.com/leadfree/>

For more information on tape and reel specifications, go to: <http://www.linear.com/tapeandree/>

ELECTRICAL CHARACTERISTICS

$T_A = 25^\circ\text{C}$. $V_S = 5\text{V}, 0\text{V}$; $V_S = 3\text{V}, 0\text{V}$; $V_{\text{SHDN}} = \text{open}$; $V_{\text{CM}} = V_{\text{OUT}} = \text{half supply}$, unless otherwise noted.

| SYMBOL | PARAMETER | CONDITIONS | MIN | TYP | MAX | UNITS |
|------------------------|---|--|--|--------------|------------|--------------------------------|
| V_{OS} | Input Offset Voltage | $V_{\text{CM}} = V^+$ | | 100 | 550 | μV |
| | | $V_{\text{CM}} = V^-$ | | 100 | 550 | μV |
| | | $V_{\text{CM}} = V^+$ (LT1806 SOT-23) | | 100 | 700 | μV |
| | | $V_{\text{CM}} = V^-$ (LT1806 SOT-23) | | 100 | 700 | μV |
| ΔV_{OS} | Input Offset Voltage Shift | $V_{\text{CM}} = V^-$ to V^+ | | 50 | 550 | μV |
| | | $V_{\text{CM}} = V^-$ to V^+ (LT1806 SOT-23) | | 100 | 700 | μV |
| | Input Offset Voltage Match (Channel-to-Channel) (Note 10) | $V_{\text{CM}} = V^-$ to V^+ | | 200 | 1000 | μV |
| I_{B} | Input Bias Current | $V_{\text{CM}} = V^+$ | | 1 | 4 | μA |
| | | $V_{\text{CM}} = V^- + 0.2\text{V}$ | -13 | -5 | | μA |
| ΔI_{B} | Input Bias Current Shift | $V_{\text{CM}} = V^-$ to V^+ | | 6 | 17 | μA |
| | | Input Bias Current Match (Channel-to-Channel) (Note 10) | $V_{\text{CM}} = V^+$ $V_{\text{CM}} = V^- + 0.2\text{V}$ | 0.03 0.05 | 1.2 3.0 | μA μA |
| I_{OS} | Input Offset Current | $V_{\text{CM}} = V^+$ | | 0.03 | 0.6 | μA |
| | | $V_{\text{CM}} = V^- + 0.2\text{V}$ | | 0.05 | 1.5 | μA |
| ΔI_{OS} | Input Offset Current Shift | $V_{\text{CM}} = V^- + 0.2\text{V}$ to V^+ | | 0.08 | 2.1 | μA |
| | | Input Noise Voltage | 0.1Hz to 10Hz | 800 | | $\text{nV}_{\text{P-P}}$ |
| e_{n} | Input Noise Voltage Density | $f = 10\text{kHz}$ | | 3.5 | | $\text{nV}/\sqrt{\text{Hz}}$ |
| i_{n} | Input Noise Current Density | $f = 10\text{kHz}$ | | 1.5 | | $\text{pA}/\sqrt{\text{Hz}}$ |
| C_{IN} | Input Capacitance | | | 2 | | pF |
| A_{VOL} | Large-Signal Voltage Gain | $V_S = 5\text{V}, V_O = 0.5\text{V}$ to $4.5\text{V}, R_L = 1\text{k}$ to $V_S/2$ | 75 | 220 | | V/mV |
| | | $V_S = 5\text{V}, V_O = 1\text{V}$ to $4\text{V}, R_L = 100$ to $V_S/2$ | 9 | 22 | | V/mV |
| | | $V_S = 3\text{V}, V_O = 0.5\text{V}$ to $2.5\text{V}, R_L = 1\text{k}$ to $V_S/2$ | 60 | 150 | | V/mV |
| CMRR | Common Mode Rejection Ratio | $V_S = 5\text{V}, V_{\text{CM}} = V^-$ to V^+ | 79 | 100 | | dB |
| | | $V_S = 3\text{V}, V_{\text{CM}} = V^-$ to V^+ | 74 | 95 | | dB |
| | CMRR Match (Channel-to-Channel) (Note 10) | $V_S = 5\text{V}, V_{\text{CM}} = V^-$ to V^+ $V_S = 3\text{V}, V_{\text{CM}} = V^-$ to V^+ | 73 68 | 100 95 | | dB dB |
| | Input Common Mode Range | | V^- | V^+ | | V |
| PSRR | Power Supply Rejection Ratio | $V_S = 2.5\text{V}$ to $10\text{V}, V_{\text{CM}} = 0\text{V}$ | 90 | 105 | | dB |
| | | PSRR Match (Channel-to-Channel) (Note 10) | $V_S = 2.5\text{V}$ to $10\text{V}, V_{\text{CM}} = 0\text{V}$ | 84 | 105 | |
| | Minimum Supply Voltage (Note 6) | | | 2.3 | 2.5 | |
| V_{OL} | Output Voltage Swing Low (Note 7) | No Load | | 8 | 50 | mV |
| | | $I_{\text{SINK}} = 5\text{mA}$ | | 50 | 130 | mV |
| | | $I_{\text{SINK}} = 25\text{mA}$ | | 170 | 375 | mV |
| V_{OH} | Output Voltage Swing High (Note 7) | No Load | | 15 | 65 | mV |
| | | $I_{\text{SOURCE}} = 5\text{mA}$ | | 85 | 180 | mV |
| | | $I_{\text{SOURCE}} = 25\text{mA}$ | | 350 | 650 | mV |

LT1806/LT1807

ELECTRICAL CHARACTERISTICS

$T_A = 25^\circ\text{C}$. $V_S = 5\text{V}, 0\text{V}$; $V_S = 3\text{V}, 0\text{V}$; $V_{\text{SHDN}} = \text{open}$; $V_{\text{CM}} = V_{\text{OUT}} = \text{half supply}$, unless otherwise noted.

| SYMBOL | PARAMETER | CONDITIONS | MIN | TYP | MAX | UNITS |
|-------------------|---------------------------------|--|-------------|--------------|------------|--------------------------------|
| I_{SC} | Short-Circuit Current | $V_S = 5\text{V}$ | ± 35 | ± 85 | | mA |
| | | $V_S = 3\text{V}$ | ± 30 | ± 65 | | mA |
| I_S | Supply Current per Amplifier | | | 9 | 13 | mA |
| | Disable Supply Current | $V_S = 5\text{V}, V_{\text{SHDN}} = 0.3\text{V}$ $V_S = 3\text{V}, V_{\text{SHDN}} = 0.3\text{V}$ | | 0.40 0.22 | 0.9 0.7 | mA mA |
| I_{SHDN} | SHDN Pin Current | $V_S = 5\text{V}, V_{\text{SHDN}} = 0.3\text{V}$ $V_S = 3\text{V}, V_{\text{SHDN}} = 0.3\text{V}$ | | 150 100 | 350 300 | μA μA |
| | Shutdown Output Leakage Current | $V_{\text{SHDN}} = 0.3\text{V}$ | | 0.1 | 75 | μA |
| V_L | SHDN Pin Input Voltage LOW | | | | 0.3 | V |
| V_H | SHDN Pin Input Voltage HIGH | | $V^+ - 0.5$ | | | V |
| t_{ON} | Turn-On Time | $V_{\text{SHDN}} = 0.3\text{V to } 4.5\text{V}, R_L = 100\Omega$ | | 80 | | ns |
| t_{OFF} | Turn-Off Time | $V_{\text{SHDN}} = 4.5\text{V to } 0.3\text{V}, R_L = 100\Omega$ | | 50 | | ns |
| GBW | Gain-Bandwidth Product | Frequency = 6MHz | | 325 | | MHz |
| SR | Slew Rate | $V_S = 5\text{V}, A_V = -1, R_L = 1\text{k}, V_O = 4\text{V}$ | | 125 | | V/ μs |
| FPBW | Full-Power Bandwidth | $V_S = 5\text{V}, V_{\text{OUT}} = 4V_{\text{P-P}}$ | | 10 | | MHz |
| HD | Harmonic Distortion | $V_S = 5\text{V}, A_V = 1, R_L = 1\text{k}, V_O = 2V_{\text{P-P}}, f_C = 5\text{MHz}$ | | -78 | | dBc |
| t_S | Settling Time | 0.01%, $V_S = 5\text{V}, V_{\text{STEP}} = 2\text{V}, A_V = 1, R_L = 1\text{k}$ | | 60 | | ns |
| ΔG | Differential Gain (NTSC) | $V_S = 5\text{V}, A_V = 2, R_L = 150$ | | 0.015 | | % |
| $\Delta\theta$ | Differential Phase (NTSC) | $V_S = 5\text{V}, A_V = 2, R_L = 150$ | | 0.05 | | Deg |

The ● denotes the specifications which apply over the $0^\circ\text{C} < T_A < 70^\circ\text{C}$ temperature range. $V_S = 5\text{V}, 0\text{V}$; $V_S = 3\text{V}, 0\text{V}$; $V_{\text{SHDN}} = \text{open}$; $V_{\text{CM}} = V_{\text{OUT}} = \text{half supply}$, unless otherwise noted.

| SYMBOL | PARAMETER | CONDITIONS | MIN | TYP | MAX | UNITS |
|------------------------|---|---|-----|-----|------|------------------------------|
| V_{OS} | Input Offset Voltage | $V_{\text{CM}} = V^+$ | ● | 200 | 700 | μV |
| | | $V_{\text{CM}} = V^-$ | ● | 200 | 700 | μV |
| | | $V_{\text{CM}} = V^+$ (LT1806 SOT-23) | ● | 200 | 850 | μV |
| | | $V_{\text{CM}} = V^-$ (LT1806 SOT-23) | ● | 200 | 850 | μV |
| $V_{\text{OS TC}}$ | Input Offset Voltage Drift (Note 8) | $V_{\text{CM}} = V^+$ | ● | 1.5 | 5 | $\mu\text{V}/^\circ\text{C}$ |
| | | $V_{\text{CM}} = V^-$ | ● | 1.5 | 5 | $\mu\text{V}/^\circ\text{C}$ |
| ΔV_{OS} | Input Offset Voltage Shift | $V_{\text{CM}} = V^- \text{ to } V^+$ | ● | 100 | 700 | μV |
| | | $V_{\text{CM}} = V^- \text{ to } V^+$ (LT1806 SOT-23) | ● | 100 | 850 | μV |
| | Input Offset Voltage Match (Channel-to-Channel) (Note 10) | $V_{\text{CM}} = V^-, V_{\text{CM}} = V^+$ | ● | 300 | 1200 | μV |
| I_B | Input Bias Current | $V_{\text{CM}} = V^+ - 0.2\text{V}$ | ● | 1 | 5 | μA |
| | | $V_{\text{CM}} = V^- + 0.4\text{V}$ | ● | -15 | -5 | μA |
| ΔI_B | Input Bias Current Shift | $V_{\text{CM}} = V^- + 0.4\text{V to } V^+ - 0.2\text{V}$ | ● | 6 | 20 | μA |

ELECTRICAL CHARACTERISTICS The ● denotes the specifications which apply over the 0°C < T_A < 70°C temperature range. V_S = 5V, 0V; V_S = 3V, 0V; V_{SHDN} = open; V_{CM} = V_{OUT} = half supply, unless otherwise noted.

| SYMBOL | PARAMETER | CONDITIONS | MIN | TYP | MAX | UNITS |
|-------------------|---|--|-----|----------------------|-------------------|----------------------|
| | Input Bias Current Match (Channel-to-Channel) (Note 10) | V _{CM} = V ⁺ - 0.2V V _{CM} = V ⁻ + 0.4V | ● | 0.03 0.05 | 1.5 3.5 | μA μA |
| I _{OS} | Input Offset Current | V _{CM} = V ⁺ - 0.2V V _{CM} = V ⁻ + 0.4V | ● | 0.03 0.05 | 0.75 1.80 | μA μA |
| ΔI _{OS} | Input Offset Current Shift | V _{CM} = V ⁻ + 0.4V to V ⁺ - 0.2V | ● | 0.08 | 2.55 | μA |
| A _{VOL} | Large-Signal Voltage Gain | V _S = 5V, V _O = 0.5V to 4.5V, R _L = 1k to V _S /2 V _S = 5V, V _O = 1V to 4V, R _L = 100Ω to V _S /2 V _S = 3V, V _O = 0.5V to 2.5V, R _L = 1k to V _S /2 | ● | 60 7.5 45 | 175 20 140 | V/mV V/mV V/mV |
| CMRR | Common Mode Rejection Ratio | V _S = 5V, V _{CM} = V ⁻ to V ⁺ V _S = 3V, V _{CM} = V ⁻ to V ⁺ | ● | 77 72 | 94 89 | dB dB |
| | CMRR Match (Channel-to-Channel) (Note 10) | V _S = 5V, V _{CM} = V ⁻ to V ⁺ V _S = 3V, V _{CM} = V ⁻ to V ⁺ | ● | 71 66 | 94 89 | dB dB |
| | Input Common Mode Range | | ● | V ⁻ | V ⁺ | V |
| PSRR | Power Supply Rejection Ratio | V _S = 2.5V to 10V, V _{CM} = 0V | ● | 88 | 105 | dB |
| | PSRR Match (Channel-to-Channel) (Note 10) | V _S = 2.5V to 10V, V _{CM} = 0V | ● | 82 | 105 | dB |
| | Minimum Supply Voltage (Note 6) | V _{CM} = V _O = 0.5V | ● | 2.3 | 2.5 | V |
| V _{OL} | Output Voltage Swing Low (Note 7) | No Load I _{SINK} = 5mA I _{SINK} = 25mA | ● | 12 60 180 | 60 140 425 | mV mV mV |
| V _{OH} | Output Voltage Swing High (Note 7) | No Load I _{SOURCE} = 5mA I _{SOURCE} = 25mA | ● | 30 110 360 | 120 220 700 | mV mV mV |
| I _{SC} | Short-Circuit Current | V _S = 5V V _S = 3V | ● | ±30 ±25 | ±65 ±55 | mA mA |
| I _S | Supply Current per Amplifier | | ● | 10 | 14 | mA |
| | Disable Supply Current | V _S = 5V, V _{SHDN} = 0.3V V _S = 3V, V _{SHDN} = 0.3V | ● | 0.40 0.22 | 1.1 0.9 | mA mA |
| I _{SHDN} | SHDN Pin Current | V _S = 5V, V _{SHDN} = 0.3V V _S = 3V, V _{SHDN} = 0.3V | ● | 160 110 | 400 350 | μA μA |
| | Shutdown Output Leakage Current | V _{SHDN} = 0.3V | ● | 1 | | μA |
| V _L | SHDN Pin Input Voltage Low | | ● | | 0.3 | V |
| V _H | SHDN Pin Input Voltage High | | ● | V ⁺ - 0.5 | | V |
| t _{ON} | Turn-On Time | V _{SHDN} = 0.3V to 4.5V, R _L = 100Ω | ● | 80 | | ns |
| t _{OFF} | Turn-Off Time | V _{SHDN} = 4.5V to 0.3V, R _L = 100Ω | ● | 50 | | ns |
| GBW | Gain-Bandwidth Product | Frequency = 6MHz | ● | 300 | | MHz |
| SR | Slew Rate | V _S = 5V, A _V = -1, R _L = 1k, V _O = 4V | ● | 100 | | V/μs |
| FPBW | Full-Power Bandwidth | V _S = 5V, V _O = 4V _{P-P} | ● | 8 | | MHz |

LT1806/LT1807

ELECTRICAL CHARACTERISTICS

The ● denotes the specifications which apply over the $-40^{\circ}\text{C} < T_A < 85^{\circ}\text{C}$ temperature range. $V_S = 5\text{V}, 0\text{V}; V_S = 3\text{V}, 0\text{V}; V_{\text{SHDN}} = \text{open}; V_{\text{CM}} = V_{\text{OUT}} = \text{half supply, unless otherwise noted. (Note 5)}$

| SYMBOL | PARAMETER | CONDITIONS | MIN | TYP | MAX | UNITS |
|------------------------|---|---|---|----------|----------|--------------------------------|
| V_{OS} | Input Offset Voltage | $V_{\text{CM}} = V^+$ | ● | 200 | 800 | μV |
| | | $V_{\text{CM}} = V^-$ | ● | 200 | 800 | μV |
| | | $V_{\text{CM}} = V^+$ (LT1806 SOT-23) | ● | 200 | 950 | μV |
| | | $V_{\text{CM}} = V^-$ (LT1806 SOT-23) | ● | 200 | 950 | μV |
| $V_{\text{OS TC}}$ | Input Offset Voltage Drift (Note 8) | $V_{\text{CM}} = V^+$ | ● | 1.5 | 5 | $\mu\text{V}/^{\circ}\text{C}$ |
| | | $V_{\text{CM}} = V^-$ | ● | 1.5 | 5 | $\mu\text{V}/^{\circ}\text{C}$ |
| ΔV_{OS} | Input Offset Voltage Shift | $V_{\text{CM}} = V^- \text{ to } V^+$ | ● | 100 | 800 | μV |
| | | $V_{\text{CM}} = V^- \text{ to } V^+$ (LT1806 SOT-23) | ● | 100 | 950 | μV |
| | Input Offset Voltage Match (Channel-to-Channel) (Note 10) | $V_{\text{CM}} = V^-, V_{\text{CM}} = V^+$ | ● | 200 | 1400 | μV |
| I_{B} | Input Bias Current | $V_{\text{CM}} = V^+ - 0.2\text{V}$ | ● | 1 | 6 | μA |
| | | $V_{\text{CM}} = V^- + 0.4\text{V}$ | ● | -16 | -5 | μA |
| ΔI_{B} | Input Bias Current Shift | $V_{\text{CM}} = V^- + 0.4\text{V} \text{ to } V^+ - 0.2\text{V}$ | ● | 6 | 22 | μA |
| | | Input Bias Current Match (Channel-to-Channel) (Note 10) | $V_{\text{CM}} = V^+ - 0.2\text{V}$ | ● | 0.02 | 1.8 |
| | | $V_{\text{CM}} = V^- + 0.4\text{V}$ | ● | 0.05 | 4 | μA |
| I_{OS} | Input Offset Current | $V_{\text{CM}} = V^+ - 0.2\text{V}$ | ● | 0.02 | 0.9 | μA |
| | | $V_{\text{CM}} = V^- + 0.4\text{V}$ | ● | 0.05 | 2.1 | μA |
| ΔI_{OS} | Input Offset Current Shift | $V_{\text{CM}} = V^- + 0.4\text{V} \text{ to } V^+ - 0.2\text{V}$ | ● | 0.07 | 3 | μA |
| A_{VOL} | Large-Signal Voltage Gain | $V_S = 5\text{V}, V_O = 0.5\text{V} \text{ to } 4.5\text{V}, R_L = 1\text{k} \text{ to } V_S/2$ | ● | 50 | 140 | V/mV |
| | | $V_S = 5\text{V}, V_O = 1\text{V} \text{ to } 4\text{V}, R_L = 100\Omega \text{ to } V_S/2$ | ● | 6 | 16 | V/mV |
| | | $V_S = 3\text{V}, V_O = 0.5\text{V} \text{ to } 2.5\text{V}, R_L = 1\text{k} \text{ to } V_S/2$ | ● | 35 | 100 | V/mV |
| CMRR | Common Mode Rejection Ratio | $V_S = 5\text{V}, V_{\text{CM}} = V^- \text{ to } V^+$ | ● | 75 | 94 | dB |
| | | $V_S = 3\text{V}, V_{\text{CM}} = V^- \text{ to } V^+$ | ● | 71 | 89 | dB |
| | CMRR Match (Channel-to-Channel) (Note 10) | $V_S = 5\text{V}, V_{\text{CM}} = V^- \text{ to } V^+$ | ● | 69 | 94 | dB |
| | | $V_S = 3\text{V}, V_{\text{CM}} = V^- \text{ to } V^+$ | ● | 65 | 89 | dB |
| | Input Common Mode Range | | ● | V^- | V^+ | V |
| PSRR | Power Supply Rejection Ratio | $V_S = 2.5\text{V} \text{ to } 10\text{V}, V_{\text{CM}} = 0\text{V}$ | ● | 86 | 105 | dB |
| | | PSRR Match (Channel-to-Channel) (Note 10) | $V_S = 2.5\text{V} \text{ to } 10\text{V}, V_{\text{CM}} = 0\text{V}$ | ● | 80 | 105 |
| | Minimum Supply Voltage (Note 6) | $V_{\text{CM}} = V_O = 0.5\text{V}$ | ● | 2.3 | 2.5 | V |
| V_{OL} | Output Voltage Swing Low (Note 7) | No Load | ● | 15 | 70 | mV |
| | | $I_{\text{SINK}} = 5\text{mA}$ | ● | 65 | 150 | mV |
| | | $I_{\text{SINK}} = 20\text{mA}$ | ● | 170 | 400 | mV |
| V_{OH} | Output Voltage Swing High (Note 7) | No Load | ● | 30 | 130 | mV |
| | | $I_{\text{SOURCE}} = 5\text{mA}$ | ● | 110 | 240 | mV |
| | | $I_{\text{SOURCE}} = 20\text{mA}$ | ● | 350 | 700 | mV |
| I_{SC} | Short-Circuit Current | $V_S = 5\text{V}$ | ● | ± 22 | ± 45 | mA |
| | | $V_S = 3\text{V}$ | ● | ± 20 | ± 40 | mA |
| I_{S} | Supply Current per Amplifier | | ● | 11 | 16 | mA |
| | | Disable Supply Current | $V_S = 5\text{V}, V_{\text{SHDN}} = 0.3\text{V}$ | ● | 0.4 | 1.2 |
| | | $V_S = 3\text{V}, V_{\text{SHDN}} = 0.3\text{V}$ | ● | 0.3 | 1 | mA |

ELECTRICAL CHARACTERISTICS The ● denotes the specifications which apply over the $-40^{\circ}\text{C} < T_A < 85^{\circ}\text{C}$ temperature range. $V_S = 5\text{V}, 0\text{V}$; $V_S = 3\text{V}, 0\text{V}$; $V_{\text{SHDN}} = \text{open}$; $V_{\text{CM}} = V_{\text{OUT}} = \text{half supply}$, unless otherwise noted. (Note 5)

| SYMBOL | PARAMETER | CONDITIONS | MIN | TYP | MAX | UNITS |
|-------------------|---------------------------------|--|-----|-------------|-----|------------------------|
| I_{SHDN} | SHDN Pin Current | $V_S = 5\text{V}, V_{\text{SHDN}} = 0.3\text{V}$ | ● | 170 | 450 | μA |
| | | $V_S = 3\text{V}, V_{\text{SHDN}} = 0.3\text{V}$ | ● | 120 | 400 | μA |
| | Shutdown Output Leakage Current | $V_{\text{SHDN}} = 0.3\text{V}$ | ● | 1.2 | | μA |
| V_L | SHDN Pin Input Voltage Low | | ● | | 0.3 | V |
| V_H | SHDN Pin Input Voltage High | | ● | $V^+ - 0.5$ | | V |
| t_{ON} | Turn-On Time | $V_{\text{SHDN}} = 0.3\text{V to } 4.5\text{V}, R_L = 100\Omega$ | ● | 80 | | ns |
| t_{OFF} | Turn-Off Time | $V_{\text{SHDN}} = 4.5\text{V to } 0.3\text{V}, R_L = 100\Omega$ | ● | 50 | | ns |
| GBW | Gain-Bandwidth Product | Frequency = 6MHz | ● | 250 | | MHz |
| SR | Slew Rate | $V_S = 5\text{V}, A_V = -1, R_L = 1\text{k}, V_O = 4\text{V}$ | ● | 80 | | $\text{V}/\mu\text{s}$ |
| FPBW | Full-Power Bandwidth | $V_S = 5\text{V}, V_O = 4V_{\text{P-P}}$ | ● | 6 | | MHz |

$T_A = 25^{\circ}\text{C}$. $V_S = \pm 5\text{V}$, $V_{\text{SHDN}} = \text{open}$; $V_{\text{CM}} = 0\text{V}$, $V_{\text{OUT}} = 0\text{V}$, unless otherwise noted.

| SYMBOL | PARAMETER | CONDITIONS | MIN | TYP | MAX | UNITS |
|------------------------|---|---|-----------------------|------|------|------------------------------|
| V_{OS} | Input Offset Voltage | $V_{\text{CM}} = V^+$ | | 100 | 700 | μV |
| | | $V_{\text{CM}} = V^-$ | | 100 | 700 | μV |
| | | $V_{\text{CM}} = V^+$ (LT1806 SOT-23) | | 100 | 750 | μV |
| | | $V_{\text{CM}} = V^-$ (LT1806 SOT-23) | | 100 | 750 | μV |
| ΔV_{OS} | Input Offset Voltage Shift | $V_{\text{CM}} = V^- \text{ to } V^+$ | | 50 | 700 | μV |
| | | $V_{\text{CM}} = V^- \text{ to } V^+$ (LT1806 SOT-23) | | 50 | 750 | μV |
| | Input Offset Voltage Match (Channel-to-Channel) (Note 10) | $V_{\text{CM}} = V^-, V_{\text{CM}} = V^+$ | | 200 | 1200 | μV |
| I_B | Input Bias Current | $V_{\text{CM}} = V^+$ | | 1 | 5 | μA |
| | | $V_{\text{CM}} = V^- + 0.2\text{V}$ | -14 | -5 | | μA |
| ΔI_B | Input Bias Current Shift | $V_{\text{CM}} = V^- + 0.2\text{V to } V^+$ | | 6 | 19 | μA |
| | | Input Bias Current Match (Channel-to-Channel) (Note 10) | $V_{\text{CM}} = V^+$ | 0.03 | 1.4 | μA |
| | | $V_{\text{CM}} = V^- + 0.2\text{V}$ | | 0.05 | 3.2 | μA |
| I_{OS} | Input Offset Current | $V_{\text{CM}} = V^+$ | | 0.03 | 0.7 | μA |
| | | $V_{\text{CM}} = V^- + 0.2\text{V}$ | | 0.04 | 1.6 | μA |
| ΔI_{OS} | Input Offset Current Shift | $V_{\text{CM}} = V^- + 0.2\text{V to } V^+$ | | 0.07 | 2.3 | μA |
| | Input Noise Voltage | 0.1Hz to 10Hz | | 800 | | nVp-p |
| e_n | Input Noise Voltage Density | $f = 10\text{kHz}$ | | 3.5 | | $\text{nV}/\sqrt{\text{Hz}}$ |
| i_n | Input Noise Current Density | $f = 10\text{kHz}$ | | 1.5 | | $\text{pA}/\sqrt{\text{Hz}}$ |
| C_{IN} | Input Capacitance | $f = 10\text{kHz}$ | | 2 | | pF |
| A_{VOL} | Large-Signal Voltage Gain | $V_O = -4\text{V to } 4\text{V}, R_L = 1\text{k}$ | 100 | 300 | | V/mV |
| | | $V_O = -2.5\text{V to } 2.5\text{V}, R_L = 100\Omega$ | 10 | 27 | | V/mV |

ELECTRICAL CHARACTERISTICS

$T_A = 25^\circ\text{C}$. $V_S = \pm 5\text{V}$, $V_{\text{SHDN}} = \text{open}$; $V_{\text{CM}} = 0\text{V}$, $V_{\text{OUT}} = 0\text{V}$, unless otherwise noted.

| SYMBOL | PARAMETER | CONDITIONS | MIN | TYP | MAX | UNITS |
|-------------------|---|--|-------------|----------|-------|------------------|
| CMRR | Common Mode Rejection Ratio | $V_{\text{CM}} = V^- \text{ to } V^+$ | 83 | 106 | | dB |
| | CMRR Match (Channel-to-Channel) (Note 10) | $V_{\text{CM}} = V^- \text{ to } V^+$ | 77 | 106 | | dB |
| | Input Common Mode Range | | V^- | | V^+ | V |
| PSRR | Power Supply Rejection Ratio | $V^+ = 2.5\text{V to } 10\text{V}$, $V^- = 0\text{V}$ | 90 | 105 | | dB |
| | PSRR Match (Channel-to-Channel) (Note 10) | $V^+ = 2.5\text{V to } 10\text{V}$, $V^- = 0\text{V}$ | 84 | 105 | | dB |
| V_{OL} | Output Voltage Swing Low (Note 7) | No Load | | 14 | 60 | mV |
| | | $I_{\text{SINK}} = 5\text{mA}$ | | 55 | 140 | mV |
| | | $I_{\text{SINK}} = 25\text{mA}$ | | 180 | 450 | mV |
| V_{OH} | Output Voltage Swing High (Note 7) | No Load | | 20 | 70 | mV |
| | | $I_{\text{SOURCE}} = 5\text{mA}$ | | 90 | 200 | mV |
| | | $I_{\text{SOURCE}} = 25\text{mA}$ | | 360 | 700 | mV |
| I_{SC} | Short-Circuit Current | | ± 40 | ± 85 | | mA |
| I_{S} | Supply Current per Amplifier | | | 11 | 16 | mA |
| | Disable Supply Current | $V_{\text{SHDN}} = 0.3\text{V}$ | | 0.4 | 1.2 | mA |
| I_{SHDN} | SHDN Pin Current | $V_{\text{SHDN}} = 0.3\text{V}$ | | 150 | 350 | μA |
| | Shutdown Output Leakage Current | $V_{\text{SHDN}} = 0.3\text{V}$ | | 0.3 | 75 | μA |
| V_{L} | SHDN Pin Input Voltage Low | | | | 0.3 | V |
| V_{H} | SHDN Pin Input Voltage High | | $V^+ - 0.5$ | | | V |
| t_{ON} | Turn-On Time | $V_{\text{SHDN}} = 0.3\text{V to } 4.5\text{V}$, $R_{\text{L}} = 100\Omega$ | | 80 | | ns |
| t_{OFF} | Turn-Off Time | $V_{\text{SHDN}} = 4.5\text{V to } 0.3\text{V}$, $R_{\text{L}} = 100\Omega$ | | 50 | | ns |
| GBW | Gain-Bandwidth Product | Frequency = 6MHz | 170 | 325 | | MHz |
| SR | Slew Rate | $A_{\text{V}} = -1$, $R_{\text{L}} = 1\text{k}$, $V_{\text{O}} = \pm 4\text{V}$, Measured at $V_{\text{O}} = \pm 3\text{V}$ | 70 | 140 | | V/ μs |
| FPBW | Full-Power Bandwidth | $V_{\text{O}} = 8V_{\text{P-P}}$ | | 5.5 | | MHz |
| HD | Harmonic Distortion | $A_{\text{V}} = 1$, $R_{\text{L}} = 1\text{k}$, $V_{\text{O}} = 2V_{\text{P-P}}$, $f_{\text{C}} = 5\text{MHz}$ | | -80 | | dBc |
| t_{S} | Settling Time | 0.01%, $V_{\text{STEP}} = 8\text{V}$, $A_{\text{V}} = 1$, $R_{\text{L}} = 1\text{k}$ | | 120 | | ns |
| ΔG | Differential Gain (NTSC) | $A_{\text{V}} = 2$, $R_{\text{L}} = 150$ | | 0.01 | | % |
| $\Delta\theta$ | Differential Phase (NTSC) | $A_{\text{V}} = 2$, $R_{\text{L}} = 150$ | | 0.01 | | Deg |

ELECTRICAL CHARACTERISTICS The ● denotes the specifications which apply over the 0°C < T_A < 70°C temperature range. V_S = ±5V, V_{SHDN} = open; V_{CM} = 0V, V_{OUT} = 0V, unless otherwise noted.

| SYMBOL | PARAMETER | CONDITIONS | MIN | TYP | MAX | UNITS |
|--------------------|---|---|---|----------------------|----------------|-------|
| V _{OS} | Input Offset Voltage | V _{CM} = V ⁺ | ● | 200 | 800 | μV |
| | | V _{CM} = V ⁻ | ● | 200 | 800 | μV |
| | | V _{CM} = V ⁺ (LT1806 SOT-23) | ● | 200 | 900 | μV |
| | | V _{CM} = V ⁻ (LT1806 SOT-23) | ● | 200 | 900 | μV |
| V _{OS} TC | Input Offset Voltage Drift (Note 8) | V _{CM} = V ⁺ | ● | 1.5 | 5 | μV/°C |
| | | V _{CM} = V ⁻ | ● | 1.5 | 5 | μV/°C |
| ΔV _{OS} | Input Offset Voltage Shift | V _{CM} = V ⁻ to V ⁺ | ● | 100 | 800 | μV |
| | | V _{CM} = V ⁻ to V ⁺ (LT1806 SOT-23) | ● | 100 | 900 | μV |
| | Input Offset Voltage Match (Channel-to-Channel) (Note 10) | V _{CM} = V ⁻ , V _{CM} = V ⁺ | ● | 300 | 1400 | μV |
| I _B | Input Bias Current | V _{CM} = V ⁺ - 0.2V | ● | 1 | 6 | μA |
| | | V _{CM} = V ⁻ + 0.4V | ● | -15 | -6 | μA |
| ΔI _B | Input Bias Current Shift | V _{CM} = V ⁻ + 0.4V to V ⁺ - 0.2V | ● | 7 | 21 | μA |
| | | Input Bias Current Match (Channel-to-Channel) (Note 10) | V _{CM} = V ⁺ - 0.2V | ● | 0.03 | 1.8 |
| | | V _{CM} = V ⁻ + 0.4V | ● | 0.04 | 3.8 | μA |
| I _{OS} | Input Offset Current | V _{CM} = V ⁺ - 0.2V | ● | 0.03 | 0.9 | μA |
| | | V _{CM} = V ⁻ + 0.4V | ● | 0.04 | 1.9 | μA |
| ΔI _{OS} | Input Offset Current Shift | V _{CM} = V ⁻ + 0.4V to V ⁺ - 0.2V | ● | 0.07 | 2.8 | μA |
| A _{VOL} | Large-Signal Voltage Gain | V _O = -4V to 4V, R _L = 1k | ● | 80 | 250 | V/mV |
| | | V _O = -2.5V to 2.5V, R _L = 100Ω | ● | 8 | 25 | V/mV |
| CMRR | Common Mode Rejection Ratio | V _{CM} = V ⁻ to V ⁺ | ● | 81 | 100 | dB |
| | CMRR Match (Channel-to-Channel) (Note 10) | V _{CM} = V ⁻ to V ⁺ | ● | 75 | 100 | dB |
| | Input Common Mode Range | | ● | V ⁻ | V ⁺ | V |
| PSRR | Power Supply Rejection Ratio | V ⁺ = 2.5V to 10V, V ⁻ = 0V | ● | 88 | 105 | dB |
| | PSRR Match (Channel-to-Channel) (Note 10) | V ⁺ = 2.5V to 10V, V ⁻ = 0V | ● | 82 | 106 | dB |
| V _{OL} | Output Voltage Swing Low (Note 7) | No Load | ● | 18 | 80 | mV |
| | | I _{SINK} = 5mA | ● | 60 | 160 | mV |
| | | I _{SINK} = 25mA | ● | 185 | 500 | mV |
| V _{OH} | Output Voltage Swing High (Note 7) | No Load | ● | 40 | 140 | mV |
| | | I _{SOURCE} = 5mA | ● | 110 | 240 | mV |
| | | I _{SOURCE} = 25mA | ● | 360 | 750 | mV |
| I _{SC} | Short-Circuit Current | | ● | ±35 | ±75 | mA |
| I _S | Supply Current per Amplifier | | ● | 14 | 20 | mA |
| | Disable Supply Current | V _{SHDN} = 0.3V | ● | 0.4 | 1.4 | mA |
| I _{SHDN} | SHDN Pin Current | V _{SHDN} = 0.3V | ● | 160 | 400 | μA |
| | Shutdown Output Leakage Current | V _{SHDN} = 0.3V | ● | 1 | | μA |
| V _L | SHDN Pin Input Voltage Low | | ● | | 0.3 | V |
| V _H | SHDN Pin Input Voltage High | | ● | V ⁺ - 0.5 | | V |
| t _{ON} | Turn-On Time | V _{SHDN} = 0.3V to 4.5V, R _L = 100Ω | ● | 80 | | ns |
| t _{OFF} | Turn-Off Time | V _{SHDN} = 4.5V to 0.3V, R _L = 100Ω | ● | 50 | | ns |
| GBW | Gain-Bandwidth Product | Frequency = 6MHz | ● | 150 | 300 | MHz |
| SR | Slew Rate | A _V = -1, R _L = 1k, V _O = ±4V, Measure at V _O = ±3V | ● | 60 | 120 | V/μs |
| FPBW | Full-Power Bandwidth | V _O = 8V _{P-P} | ● | 4.5 | | MHz |

LT1806/LT1807

ELECTRICAL CHARACTERISTICS The ● denotes the specifications which apply over the $-40^{\circ}\text{C} < T_A < 85^{\circ}\text{C}$ temperature range. $V_S = \pm 5\text{V}$, $V_{\text{SHDN}} = \text{open}$; $V_{\text{CM}} = 0\text{V}$, $V_{\text{OUT}} = 0\text{V}$, unless otherwise noted. (Note 5)

| SYMBOL | PARAMETER | CONDITIONS | MIN | TYP | MAX | UNITS |
|------------------------|---|---|-------------------------------------|-------------|----------|--------------------------------|
| V_{OS} | Input Offset Voltage | $V_{\text{CM}} = V^+$ | ● | 200 | 900 | μV |
| | | $V_{\text{CM}} = V^-$ | ● | 200 | 900 | μV |
| | | $V_{\text{CM}} = V^+$ (LT1806 SOT-23) | ● | 200 | 975 | μV |
| | | $V_{\text{CM}} = V^-$ (LT1806 SOT-23) | ● | 200 | 975 | μV |
| $V_{\text{OS TC}}$ | Input Offset Voltage Drift (Note 8) | $V_{\text{CM}} = V^+$ | ● | 1.5 | 5 | $\mu\text{V}/^{\circ}\text{C}$ |
| | | $V_{\text{CM}} = V^-$ | ● | 1.5 | 5 | $\mu\text{V}/^{\circ}\text{C}$ |
| ΔV_{OS} | Input Offset Voltage Shift | $V_{\text{CM}} = V^-$ to V^+ | ● | 100 | 900 | μV |
| | | $V_{\text{CM}} = V^-$ to V^+ (LT1806 SOT-23) | ● | 100 | 975 | μV |
| | Input Offset Voltage Match (Channel-to-Channel) (Note 10) | $V_{\text{CM}} = V^-$, $V_{\text{CM}} = V^+$ | ● | 300 | 1600 | μV |
| I_{B} | Input Bias Current | $V_{\text{CM}} = V^+ - 0.2\text{V}$ | ● | 1.2 | 7 | μA |
| | | $V_{\text{CM}} = V^- + 0.4\text{V}$ | ● | -16 | -5 | μA |
| ΔI_{B} | Input Bias Current Shift | $V_{\text{CM}} = V^- + 0.4\text{V}$ to $V^+ - 0.2\text{V}$ | ● | 6 | 23 | μA |
| | | Input Bias Current Match (Channel-to-Channel) (Note 10) | $V_{\text{CM}} = V^+ - 0.2\text{V}$ | ● | 0.03 | 2 |
| | | $V_{\text{CM}} = V^- + 0.4\text{V}$ | ● | 0.04 | 4.5 | μA |
| I_{OS} | Input Offset Current | $V_{\text{CM}} = V^+ - 0.2\text{V}$ | ● | 0.03 | 1.0 | μA |
| | | $V_{\text{CM}} = V^- + 0.4\text{V}$ | ● | 0.04 | 2.2 | μA |
| ΔI_{OS} | Input Offset Current Shift | $V_{\text{CM}} = V^- + 0.4\text{V}$ to $V^+ - 0.2\text{V}$ | ● | 0.07 | 3.2 | μA |
| A_{VOL} | Large-Signal Voltage Gain | $V_{\text{O}} = -4\text{V}$ to 4V , $R_{\text{L}} = 1\text{k}$ | ● | 60 | 175 | V/mV |
| | | $V_{\text{O}} = -2\text{V}$ to 2V , $R_{\text{L}} = 100\Omega$ | ● | 7 | 17 | V/mV |
| CMRR | Common Mode Rejection Ratio | $V_{\text{CM}} = V^-$ to V^+ | ● | 80 | 100 | dB |
| | CMRR Match (Channel-to-Channel) (Note 10) | $V_{\text{CM}} = V^-$ to V^+ | ● | 74 | 100 | dB |
| | Input Common Mode Range | | ● | V^- | V^+ | V |
| PSRR | Power Supply Rejection Ratio | $V^+ = 2.5\text{V}$ to 10V , $V^- = 0\text{V}$ | ● | 86 | 105 | dB |
| | PSRR Match (Channel-to-Channel) (Note 10) | | ● | 80 | 105 | dB |
| V_{OL} | Output Voltage Swing Low (Note 7) | No Load | ● | 20 | 100 | mV |
| | | $I_{\text{SINK}} = 5\text{mA}$ | ● | 65 | 170 | mV |
| | | $I_{\text{SINK}} = 20\text{mA}$ | ● | 200 | 500 | mV |
| V_{OH} | Output Voltage Swing High (Note 7) | No Load | ● | 50 | 160 | mV |
| | | $I_{\text{SOURCE}} = 5\text{mA}$ | ● | 115 | 260 | mV |
| | | $I_{\text{SOURCE}} = 20\text{mA}$ | ● | 360 | 700 | mV |
| I_{SC} | Short-Circuit Current | | ● | ± 25 | ± 55 | mA |
| I_{S} | Supply Current per Amplifier | | ● | 15 | 22 | mA |
| | Disable Supply Current | $V_{\text{SHDN}} = 0.3\text{V}$ | ● | 0.45 | 1.5 | mA |
| I_{SHDN} | $\overline{\text{SHDN}}$ Pin Current | $V_{\text{SHDN}} = 0.3\text{V}$ | ● | 170 | 400 | μA |
| | Shutdown Output Leakage Current | $V_{\text{SHDN}} = 0.3\text{V}$ | ● | 1.2 | | μA |
| V_{L} | $\overline{\text{SHDN}}$ Pin Input Voltage Low | | ● | | 0.3 | V |
| V_{H} | $\overline{\text{SHDN}}$ Pin Input Voltage High | | ● | $V^+ - 0.5$ | | V |
| t_{ON} | Turn-On Time | $V_{\text{SHDN}} = 0.3\text{V}$ to 4.5V , $R_{\text{L}} = 100\Omega$ | ● | 80 | | ns |

ELECTRICAL CHARACTERISTICS The ● denotes the specifications which apply over the $-40^{\circ}\text{C} < T_A < 85^{\circ}\text{C}$ temperature range. $V_S = \pm 5\text{V}$, $V_{\text{SHDN}} = \text{open}$; $V_{\text{CM}} = 0\text{V}$, $V_{\text{OUT}} = 0\text{V}$, unless otherwise noted. (Note 5)

| SYMBOL | PARAMETER | CONDITIONS | MIN | TYP | MAX | UNITS |
|------------------|------------------------|---|-----|-----|-----|------------------|
| t_{OFF} | Turn-Off Time | $V_{\text{SHDN}} = 4.5\text{V to } 0.3\text{V}$, $R_L = 100\Omega$ | ● | 50 | | ns |
| GBW | Gain-Bandwidth Product | Frequency = 6MHz | ● | 125 | 290 | MHz |
| SR | Slew Rate | $A_V = -1$, $R_L = 1\text{k}$, $V_O = \pm 4\text{V}$, Measure at $V_O = \pm 3\text{V}$ | ● | 50 | 100 | V/ μs |
| FPBW | Full-Power Bandwidth | $V_O = 8V_{\text{P-P}}$ | ● | 4 | | MHz |

Note 1: Stresses beyond those listed under Absolute Maximum Ratings may cause permanent damage to the device. Exposure to any Absolute Maximum Rating condition for extended periods may affect device reliability and lifetime.

Note 2: The inputs are protected by back-to-back diodes. If the differential input voltage exceeds 1.4V, the input current should be limited to less than 10mA. This parameter is guaranteed to meet specified performance through design and/or characterization. It is not 100% tested.

Note 3: A heat sink may be required to keep the junction temperature below the absolute maximum rating when the output is shorted indefinitely.

Note 4: The LT1806C/LT1806I and LT1807C/LT1807I are guaranteed functional over the temperature range of -40°C and 85°C .

Note 5: The LT1806C/LT1807C are guaranteed to meet specified performance from 0°C to 70°C . The LT1806C/LT1807C are designed,

characterized and expected to meet specified performance from -40°C to 85°C but are not tested or QA sampled at these temperatures. The LT1806I/LT1807I are guaranteed to meet specified performance from -40°C to 85°C .

Note 6: Minimum supply voltage is guaranteed by power supply rejection ratio test.

Note 7: Output voltage swings are measured between the output and power supply rails.

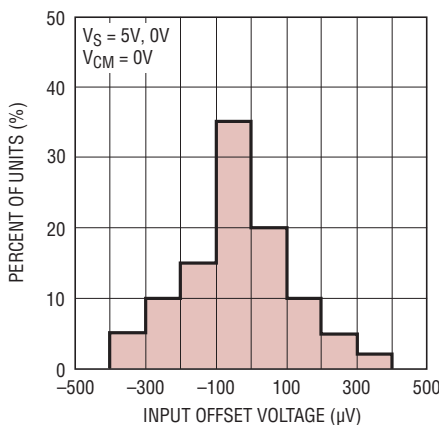
Note 8: This parameter is not 100% tested.

Note 9: Thermal resistance varies depending upon the amount of PC board metal attached to the V^- pin of the device. θ_{JA} is specified for a certain amount of 2oz copper metal trace connecting to the V^- pin as described in the thermal resistance tables in the Applications Information section.

Note 10: Matching parameters are the difference between the two amplifiers of the LT1807.

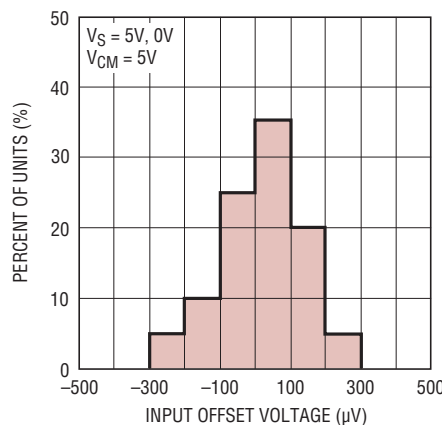
TYPICAL PERFORMANCE CHARACTERISTICS

V_{OS} Distribution, $V_{\text{CM}} = 0\text{V}$ (PNP Stage)



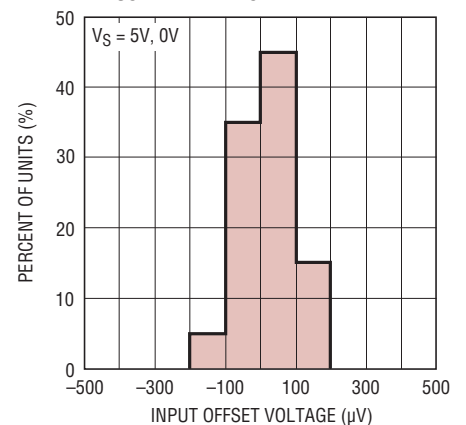
18067 G01

V_{OS} Distribution, $V_{\text{CM}} = 5\text{V}$ (NPN Stage)



18067 G02

ΔV_{OS} Shift for $V_{\text{CM}} = 0\text{V}$ to 5V



18067 G03

TYPICAL PERFORMANCE CHARACTERISTICS

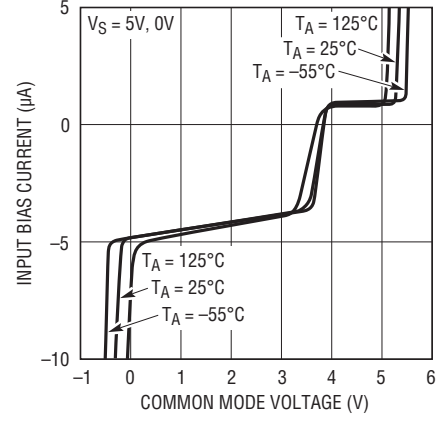
Supply Current per Amp vs Supply Voltage



Offset Voltage vs Input Common Mode



Input Bias Current vs Common Mode Voltage



Input Bias Current vs Temperature



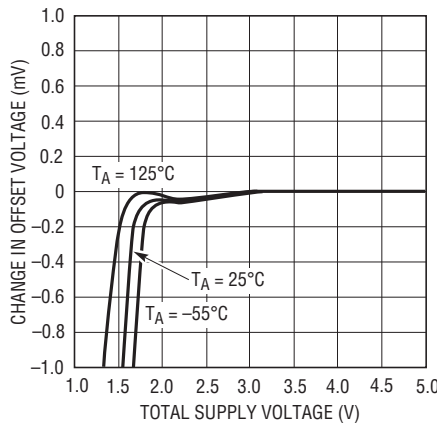
Output Saturation Voltage vs Load Current (Output Low)



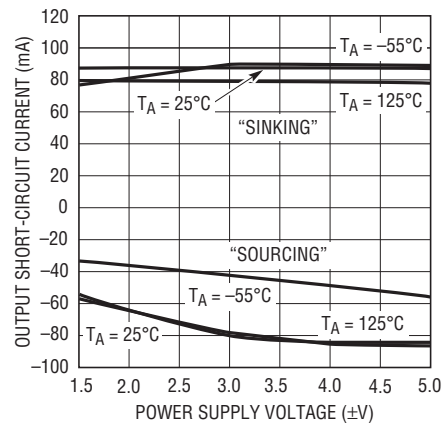
Output Saturation Voltage vs Load Current (Output High)



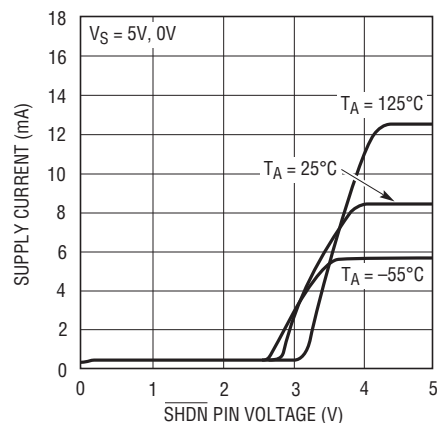
Minimum Supply Voltage



Output Short-Circuit Current vs Power Supply Voltage

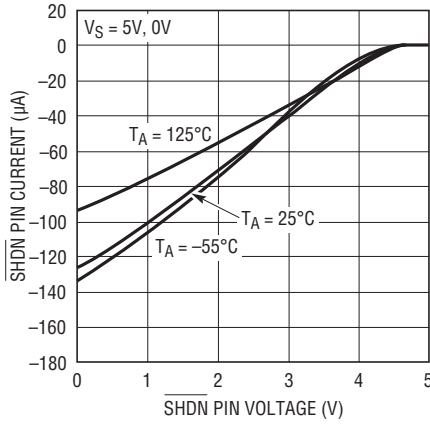


Supply Current vs SHDN Pin Voltage



TYPICAL PERFORMANCE CHARACTERISTICS

SHDN Pin Current vs SHDN Pin Voltage



18067 G13

Open-Loop Gain



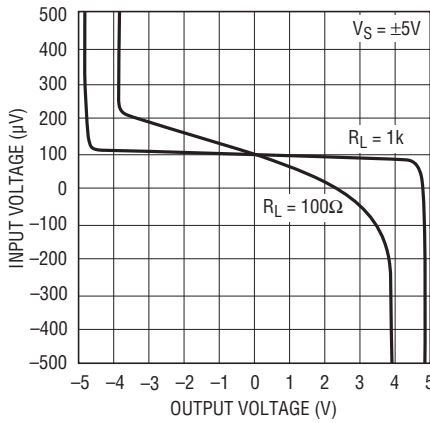
18067 G14

Open-Loop Gain



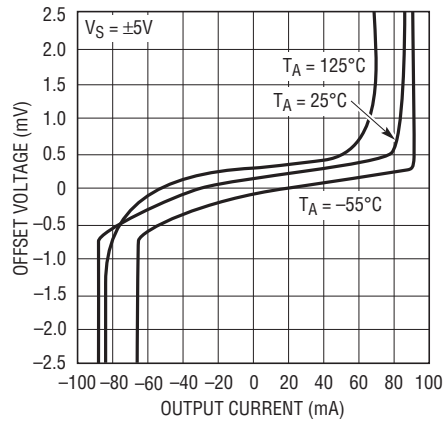
18067 G15

Open-Loop Gain



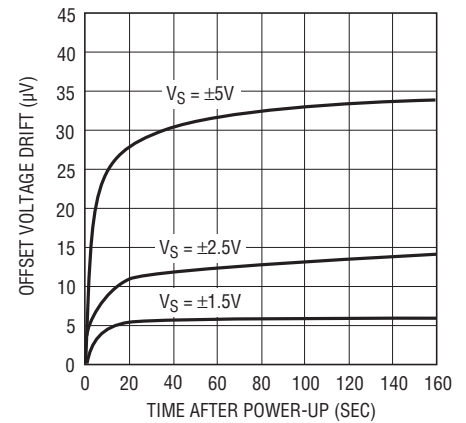
18067 G16

Offset Voltage vs Output Current



18067 G17

Warm-Up Drift vs Time (LT1806S8)



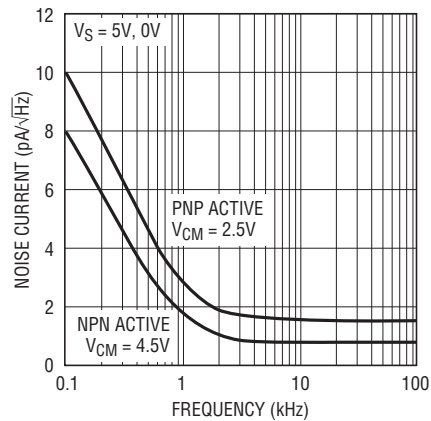
18067 G18

Input Noise Voltage vs Frequency



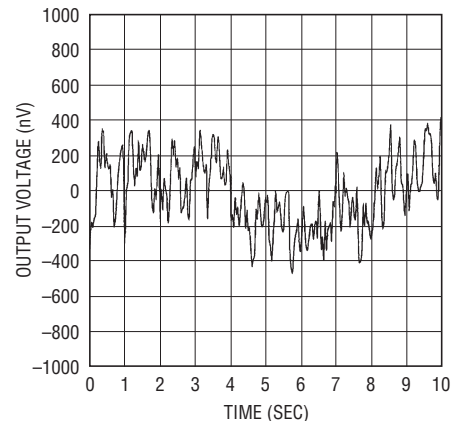
18067 G19

Input Noise Current vs Frequency



18067 G19

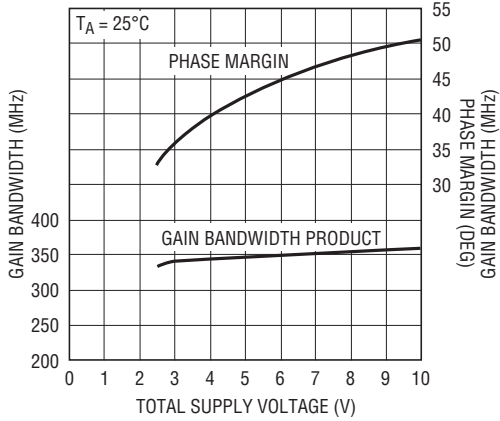
0.1Hz to 10Hz Output Voltage Noise



18067 G21

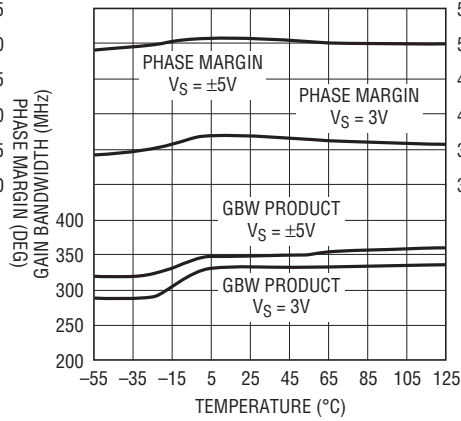
TYPICAL PERFORMANCE CHARACTERISTICS

Gain Bandwidth and Phase Margin vs Supply Voltage



18067 G22

Gain Bandwidth and Phase Margin vs Temperature



18067 G23

Slew Rate vs Temperature



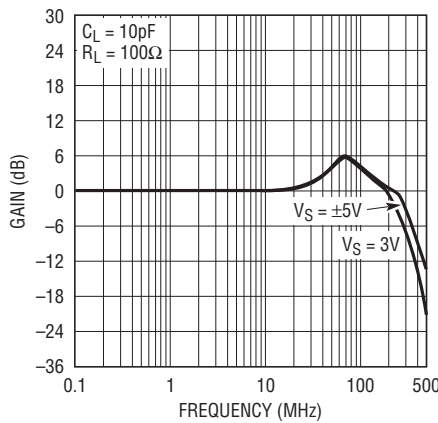
18067 G24

Gain and Phase vs Frequency



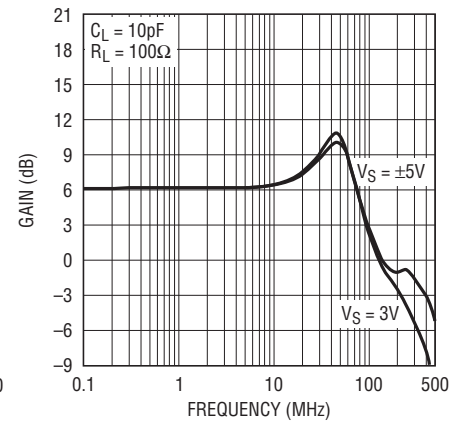
18067 G25

Gain vs Frequency (AV = 1)



18067 G26

Gain vs Frequency (AV = 2)



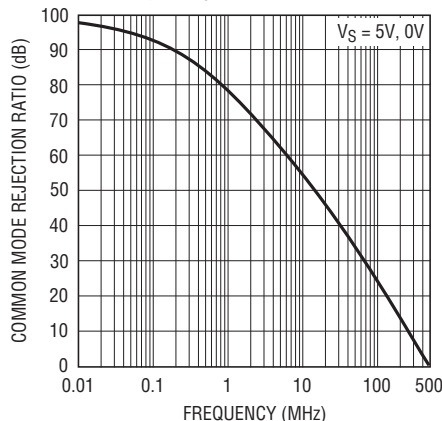
18067 G27

Output Impedance vs Frequency



18067 G28

Common Mode Rejection Ratio vs Frequency



18067 G29

Power Supply Rejection Ratio vs Frequency



18067 G30

TYPICAL PERFORMANCE CHARACTERISTICS

Series Output Resistor vs Capacitive Load



18067 G31

Series Output Resistor vs Capacitive Load



18067 G32

0.01% Settling Time



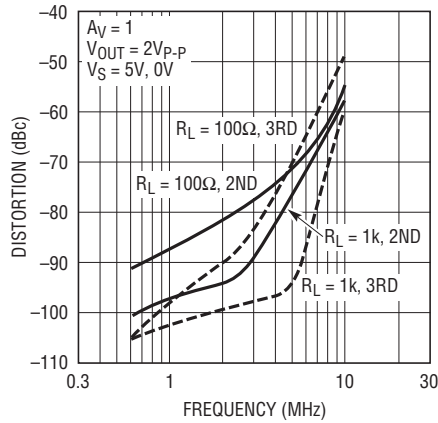
18067 G33

Distortion vs Frequency



18067 G34

Distortion vs Frequency



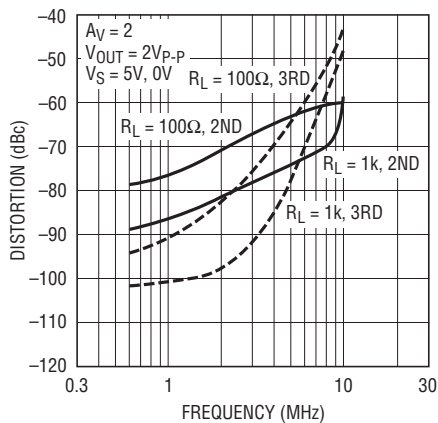
18067 G35

Distortion vs Frequency



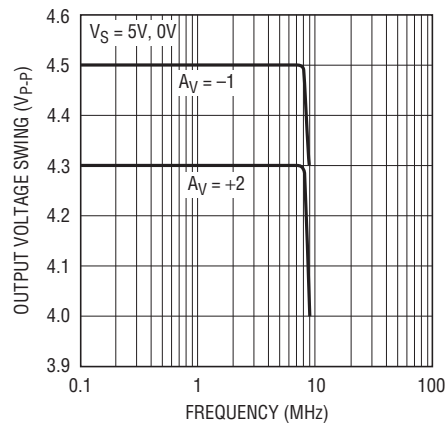
18067 G36

Distortion vs Frequency



18067 G37

Maximum Undistorted Output Signal vs Frequency



18067 G38

TYPICAL PERFORMANCE CHARACTERISTICS

±5V Large-Signal Response



±5V Small-Signal Response



5V Large-Signal Response



5V Small-Signal Response



Output Overdriven Recovery



Shutdown Response



APPLICATIONS INFORMATION

Rail-to-Rail Characteristics

The LT1806/LT1807 have input and output signal range that covers from negative power supply to positive power supply. Figure 1 depicts a simplified schematic of the amplifier. The input stage is comprised of two differential amplifiers, a PNP stage Q1/Q2 and a NPN stage Q3/Q4 that are active over different ranges of common mode input voltage. The PNP differential pair is active between the negative supply to approximately 1.5V below the positive supply. As the input voltage moves closer toward the positive supply, the transistor Q5 will steer the tail current I_1 to the current mirror Q6/Q7, activating the NPN differential pair. The PNP pair becomes inactive for the rest of the input common mode range up to the positive supply.

A pair of complementary common emitter stages Q14/Q15 that enable the output to swing from rail to rail constructs the output stage. The capacitors C1 and C2 form the local feedback loops that lower the output impedance at high frequency. These devices are fabricated on Linear Technology's proprietary high speed complementary bipolar process.

Power Dissipation

The LT1806/LT1807 amplifiers combine high speed with large output current in a small package, so there is a need to ensure that the die's junction temperature does not exceed 150°C. The LT1806 is housed in an SO-8 package or a 6-lead SOT-23 package and the LT1807 is in an SO-8



Figure 1. LT1806 Simplified Schematic Diagram

APPLICATIONS INFORMATION

or 8-lead MSOP package. All packages have the V^- supply pin fused to the lead frame to enhance the thermal conductance when connecting to a ground plane or a large metal trace. Metal trace and plated through-holes can be used to spread the heat generated by the device to the backside of the PC board. For example, on a 3/32" FR-4 board with 2oz copper, a total of 660 square millimeters connects to Pin 4 of LT1807 in an SO-8 package (330 square millimeters on each side of the PC board) will bring the thermal resistance, θ_{JA} , to about 85°C/W. Without extra metal trace beside the power line connecting to the V^- pin to provide a heat sink, the thermal resistance will be around 105°C/W. More information on thermal resistance for all packages with various metal areas connecting to the V^- pin is provided in Tables 1, 2 and 3.

Table 1. LT1806 6-Lead SOT-23 Package

| COPPER AREA | | BOARD AREA (mm ²) | THERMAL RESISTANCE (JUNCTION-TO-AMBIENT) |
|----------------------------|-----------------------------|-------------------------------|--|
| TOPSIDE (mm ²) | BACKSIDE (mm ²) | | |
| 270 | | 2500 | 135°C/W |
| 100 | | 2500 | 145°C/W |
| 20 | | 2500 | 160°C/W |
| 0 | | 2500 | 200°C/W |

Device is mounted on topside.

Table 2. LT1806/LT1807 SO-8 Package

| COPPER AREA | | BOARD AREA (mm ²) | THERMAL RESISTANCE (JUNCTION-TO-AMBIENT) |
|----------------------------|-----------------------------|-------------------------------|--|
| TOPSIDE (mm ²) | BACKSIDE (mm ²) | | |
| 1100 | 1100 | 2500 | 65°C/W |
| 330 | 330 | 2500 | 85°C/W |
| 35 | 35 | 2500 | 95°C/W |
| 35 | 0 | 2500 | 100°C/W |
| 0 | 0 | 2500 | 105°C/W |

Device is mounted on topside.

Table 3. LT1807 8-Lead MSOP Package

| COPPER AREA | | BOARD AREA (mm ²) | THERMAL RESISTANCE (JUNCTION-TO-AMBIENT) |
|----------------------------|-----------------------------|-------------------------------|--|
| TOPSIDE (mm ²) | BACKSIDE (mm ²) | | |
| 540 | 540 | 2500 | 110°C/W |
| 100 | 100 | 2500 | 120°C/W |
| 100 | 0 | 2500 | 130°C/W |
| 30 | 0 | 2500 | 135°C/W |
| 0 | 0 | 2500 | 140°C/W |

Device is mounted on topside.

Junction temperature T_J is calculated from the ambient temperature T_A and power dissipation P_D as follows:

$$T_J = T_A + (P_D \cdot \theta_{JA})$$

The power dissipation in the IC is the function of the supply voltage, output voltage and the load resistance. For a given supply voltage, the worst-case power dissipation $P_{D(MAX)}$ occurs at the maximum quiescent supply current and at the output voltage which is half of either supply voltage (or the maximum swing if it is less than 1/2 the supply voltage). $P_{D(MAX)}$ is given by:

$$P_{D(MAX)} = (V_S \cdot I_{S(MAX)}) + (V_S/2)^2/R_L$$

Example: An LT1807 in SO-8 mounted on a 2500mm² area of PC board without any extra heat spreading plane connected to its V^- pin has a thermal resistance of 105°C/W, θ_{JA} . Operating on $\pm 5V$ supplies with both amplifiers simultaneously driving 50Ω loads, the worst-case power dissipation is given by:

$$\begin{aligned} P_{D(MAX)} &= 2 \cdot (10 \cdot 14mA) + 2 \cdot (2.5)^2/50 \\ &= 0.28 + 0.25 = 0.53W \end{aligned}$$

APPLICATIONS INFORMATION

The maximum ambient temperature that the part is allowed to operate is:

$$\begin{aligned} T_A &= T_J - (P_{D(MAX)} \cdot 105^\circ\text{C/W}) \\ &= 150^\circ\text{C} - (0.53\text{W} \cdot 105^\circ\text{C/W}) = 94^\circ\text{C} \end{aligned}$$

To operate the device at higher ambient temperature, connect more metal area to the V^- pin to reduce the thermal resistance of the package as indicated in Table 2.

Input Offset Voltage

The offset voltage will change depending upon which input stage is active and the maximum offset voltage is guaranteed to less than $550\mu\text{V}$. To maintain the precision characteristics of the amplifier, the change of V_{OS} over the entire input common mode range (CMRR) is limited to be less than $550\mu\text{V}$ on a single 5V and 3V supply.

Input Bias Current

The input bias current polarity depends on a given input common voltage at which the input stage is operating. When the PNP input stage is active, the input bias currents flow out of the input pins. When the NPN input stage is activated, the input bias current flows into the input pins. Because the input offset current is less than the input bias current, matching the source resistances at the input pins will reduce total offset error.

Output

The LT1806/LT1807 can deliver a large output current, so the short-circuit current limit is set around 85mA to prevent damage to the device. Attention must be paid to keep the junction temperature of the IC below the absolute maximum rating of 150°C (refer to the Power Dissipation section) when the output is continuously short circuited. The output of the amplifier has reverse-biased diodes connected to each supply. If the output is forced beyond either supply, unlimited current will flow through these diodes. If the current is transient and limited to one hundred milliamps or less, no damage to the device will occur.

Overdrive Protection

When the input voltage exceeds the power supplies, two pairs of crossing diodes D1 to D4 will prevent the output from reversing polarity. If the input voltage exceeds either power supply by 700mV, diode D1/D2 or D3/D4 will turn on to keep the output at the proper polarity. For the phase reversal protection to perform properly, the input current must be limited to less than 5mA. If the amplifier is severely overdriven, an external resistor should be used to limit the overdrive current.

APPLICATIONS INFORMATION

The LT1806/LT1807's input stages are also protected against large differential input voltages of 1.4V or higher by a pair of back-to-back diodes, D5/D8, that prevent the emitter-base breakdown of the input transistors. The current in these diodes should be limited to less than 10mA when they are active. The worst-case differential input voltage usually occurs when the input is driven while the output is shorted to ground in a unity gain configuration. In addition, the amplifier is protected against ESD strikes up to 3kV on all pins by a pair of protection diodes, ESDD1 to ESDD6, on each pin that are connected to the power supplies as shown in Figure 1.

Capacitive Load

The LT1806/LT1807 are optimized for high bandwidth and low distortion applications. They can drive a capacitive load of about 20pF in a unity-gain configuration, and more for higher gain. When driving a larger capacitive load, a resistor of 10 Ω to 50 Ω should be connected between the output and the capacitive load to avoid ringing or oscillation. The feedback should still be taken from the output so that the resistor will isolate the capacitive load to ensure stability. Graphs on capacitive loads indicate the transient response of the amplifier when driving the capacitive load with a specified series resistor.

Feedback Components

When feedback resistors are used to set up gain, care must be taken to ensure that the pole formed by the feedback resistors and the total capacitance at the inverting input does not degrade stability. For instance, the LT1806/LT1807 in a noninverting gain of 2, set up with two 1k resistors and a capacitance of 3pF (part plus PC board) will probably ring in transient response. The pole is formed at 106MHz that will reduce phase margin by 34 degrees when the crossover frequency of the amplifier is around 70MHz. A capacitor of 3pF or higher connected across the feedback resistor will eliminate any ringing or oscillation.

$\overline{\text{SHDN}}$ Pin

The LT1806 has a $\overline{\text{SHDN}}$ pin to reduce the supply current to less than 0.9mA. When the $\overline{\text{SHDN}}$ pin is pulled low, it will generate a signal to power down the device. If the pin is left unconnected, an internal pull-up resistor of 40k will keep the part fully operating as shown in Figure 1. The output will be high impedance during shutdown, and the turn-on and turn-off time is less than 100ns. Because the input is protected by a pair of back-to-back diodes, the input signal will feed through to the output during shutdown mode if the amplitude of signal between the inputs is larger than 1.4V.

TYPICAL APPLICATIONS

Driving A/D Converter

The LT1806/LT1807 have 60ns settling time to 0.01% on a 2V step signal, and 20Ω output impedance at 100MHz, that makes them ideal for driving high speed A/D converters. With the rail-to-rail input and output, and low supply voltage operation, the LT1806/LT1807 are also desirable for single supply applications. As shown in the application on the front page of this data sheet, the LT1807 drives a 10Msps, 12-bit, LTC1420 ADC in a gain of 20. Driving the LTC1420 differentially will optimize the signal-to-noise ratio, SNR, and the total harmonic distortion, THD, of the A/D converter. The lowpass filter, R5, R6 and C3 reduce

noise or distortion products that might come from the input signal. High quality capacitors and resistors, NPO chip capacitor and metal film surface mount resistors, should be used since these components can add to distortion. The voltage glitch of the converter, due to its sampling nature is buffered by the LT1807, and the ability of the amplifier to settle it quickly will affect the spurious free dynamic range of the system. Figure 2 depicts the LT1806 driving LTC1420 at noninverting gain of 2 configuration. The FFT responses show a better than 92dB of spurious free dynamic range, SFDR.

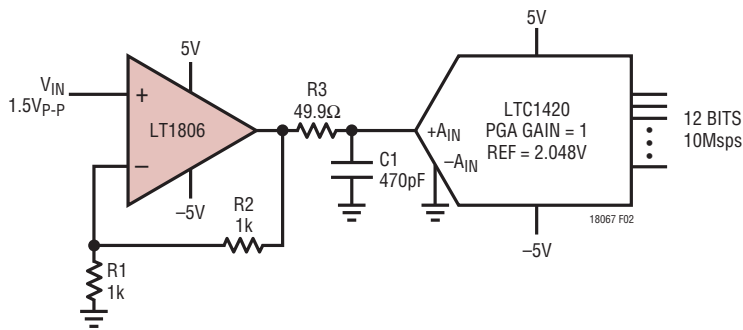


Figure 2. Noninverting A/D Driver

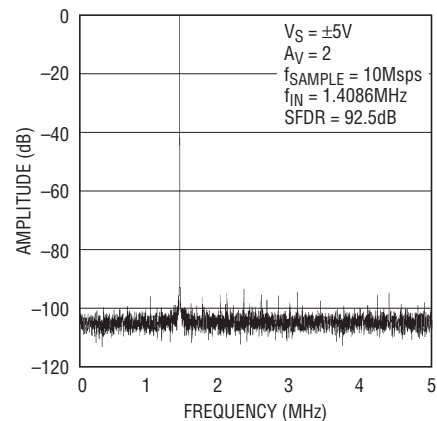


Figure 3. 4096 Point FFT Response

TYPICAL APPLICATIONS

Single Supply Video Line Driver

The LT1806/LT1807 are wideband rail-to-rail op amps with large output current that allows them to drive video signals in low supply applications. Figure 4 depicts a single supply video line driver with AC coupling to minimize the quiescent power dissipation. Resistors R1 and R2 are used to level-shift the input and output to provide the largest signal swing. The gain of 2 is set up with R3 and R4 to restore the signal at V_{OUT} , which is attenuated by 6dB due to the matching of the 75Ω line with the back-terminated resistor,

R5. The back termination will eliminate any reflection of the signal that comes from the load. The input termination resistor, R_T , is optional—it is used only if matching of the incoming line is necessary. The values of C1, C2 and C3 are selected to minimize the droop of the luminance signal. In some less stringent requirements, the value of capacitors could be reduced. The -3dB bandwidth of the driver is about 90MHz on 5V supply, and the amount of peaking will vary upon the value of capacitor C4.

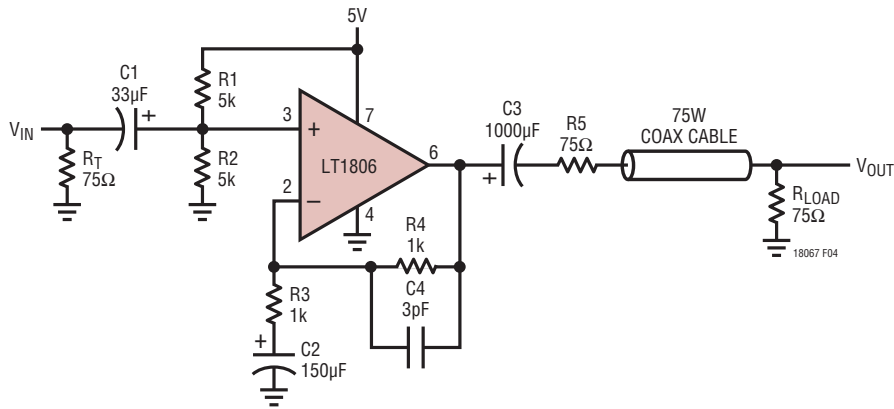


Figure 4. 5V Single Supply Video Line Driver

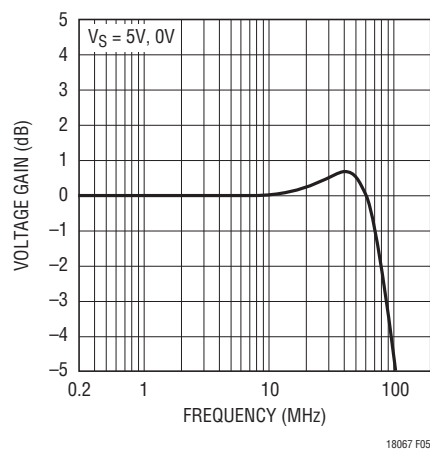


Figure 5. Video Line Driver Frequency Response

TYPICAL APPLICATIONS

Single 3V Supply, 4MHz, 4th Order Butterworth Filter

Benefiting from a low voltage supply operation, low distortion and rail-to-rail output of LT1806/LT1807, a low distortion filter that is suitable for antialiasing can be built as shown in Figure 6.

On a 3V supply, the filter built with LT1807 has a passband of 4MHz with 2.5V_{P-P} signal and stopband that is greater than 70dB to frequency of 100MHz. As an option to minimize the DC offset voltage at the output, connect a series resistor of 365Ω and a bypass capacitor at the noninverting inputs of the amplifiers as shown in Figure 6.

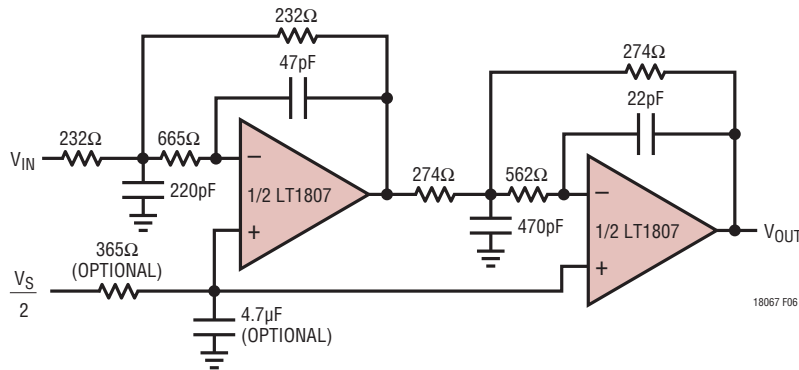


Figure 6. Single 3V Supply, 4MHz, 4th Order Butterworth Filter

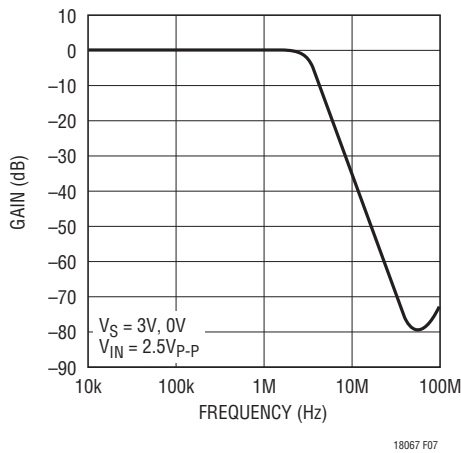


Figure 7. Filter Frequency Response

TYPICAL APPLICATIONS

1MHz Series Resonant Crystal Oscillator with Square and Sinusoid Outputs

Figure 8 shows a classic 1MHz series resonant crystal oscillator. At series resonance, the crystal is a low impedance and the positive feedback connection is what brings about oscillation at the series resonance frequency. The RC feedback around the other path ensures that the circuit does not find a stable DC operating point and refuse to oscillate. The comparator output is a 1MHz square wave with a measured jitter of 28ps_{RMS} with a 5V supply and 40ps_{RMS} with a 3V supply. On the other side of the crystal, however, is an excellent looking sine wave except for the fact of the small high frequency glitch caused by the fast

edge and the crystal capacitance (middle trace of Figure 9). Sinusoid amplitude stability is maintained by the fact that the sine wave is basically a filtered version of the square wave; the usual amplitude control loops associated with sinusoidal oscillators are not immediately necessary.¹ One can make use of this sine wave by buffering and filtering it, and this is the combined task of the LT1806. It is configured as a bandpass filter with a Q of 5 and does a good job of cleaning up and buffering the sine wave. Distortion was measured at -70dBc and -60dBc on the second and third harmonics.

¹Amplitude will be a linear function of comparator output swing, which is supply dependent and therefore controllable. The important difference here is that any added amplitude stabilization loop will not be faced with the classical task of avoiding regions of nonoscillation versus clipping.



Figure 8. LT1713 Comparator is Configured as a Series Resonant Crystal Oscillator. The LT1806 Op Amp is Configured in a Q = 5 Bandpass Filter with $f_c = 1\text{MHz}$

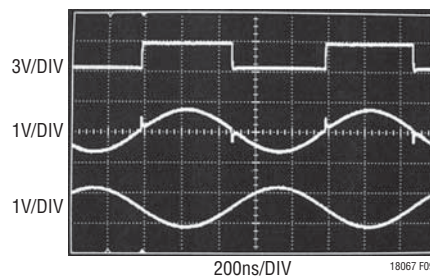
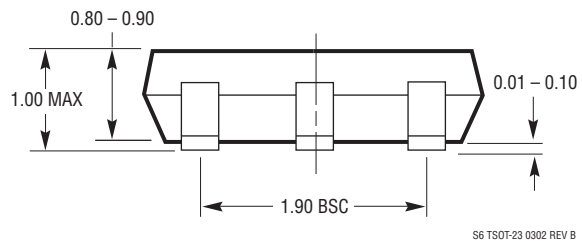
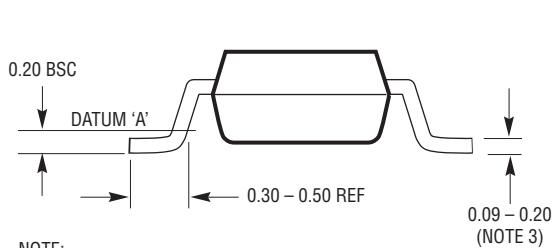
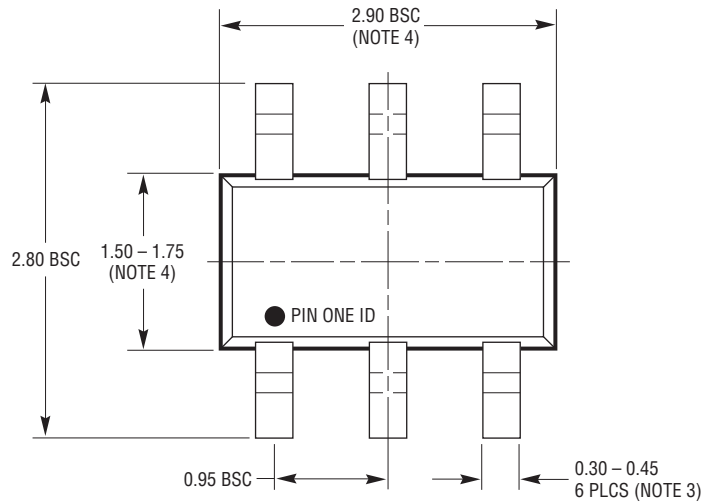
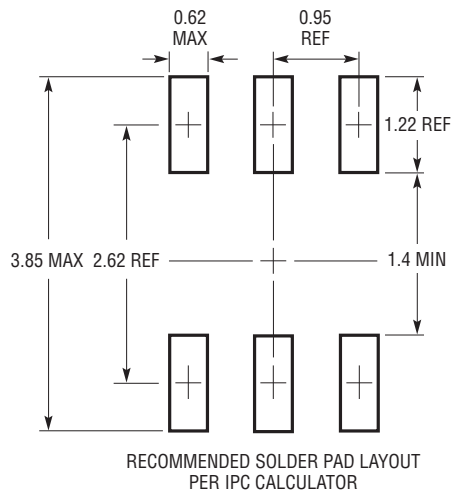


Figure 9. Oscillator Waveforms with $V_S = 3\text{V}$. Top Trace is Comparator Output. Middle Trace is Crystal Feedback to Pin 2 at LT1713. Bottom Trace is Buffered, Inverted and Bandpass Filtered with a Q of 5 by the LT1806

PACKAGE DESCRIPTION

S6 Package
6-Lead Plastic TSOT-23
 (Reference LTC DWG # 05-08-1636)



S6 TSOT-23 0302 REV B

- NOTE:
1. DIMENSIONS ARE IN MILLIMETERS
 2. DRAWING NOT TO SCALE
 3. DIMENSIONS ARE INCLUSIVE OF PLATING
 4. DIMENSIONS ARE EXCLUSIVE OF MOLD FLASH AND METAL BURR
 5. MOLD FLASH SHALL NOT EXCEED 0.254mm
 6. JEDEC PACKAGE REFERENCE IS MO-193

PACKAGE DESCRIPTION

**MS8 Package
8-Lead Plastic MSOP**

(Reference LTC DWG # 05-08-1660 Rev F)



- NOTE:
1. DIMENSIONS IN MILLIMETER/(INCH)
 2. DRAWING NOT TO SCALE
 3. DIMENSION DOES NOT INCLUDE MOLD FLASH, PROTRUSIONS OR GATE BURRS.
MOLD FLASH, PROTRUSIONS OR GATE BURRS SHALL NOT EXCEED 0.152mm (.006") PER SIDE
 4. DIMENSION DOES NOT INCLUDE INTERLEAD FLASH OR PROTRUSIONS.
INTERLEAD FLASH OR PROTRUSIONS SHALL NOT EXCEED 0.152mm (.006") PER SIDE
 5. LEAD COPLANARITY (BOTTOM OF LEADS AFTER FORMING) SHALL BE 0.102mm (.004") MAX

PACKAGE DESCRIPTION

S8 Package 8-Lead Plastic Small Outline (Narrow .150 Inch) (Reference LTC DWG # 05-08-1610)



RECOMMENDED SOLDER PAD LAYOUT



- NOTE:
1. DIMENSIONS IN $\frac{\text{INCHES}}{\text{MILLIMETERS}}$
 2. DRAWING NOT TO SCALE
 3. THESE DIMENSIONS DO NOT INCLUDE MOLD FLASH OR PROTRUSIONS. MOLD FLASH OR PROTRUSIONS SHALL NOT EXCEED $.006''$ (0.15mm)

S08 0303

TYPICAL APPLICATION

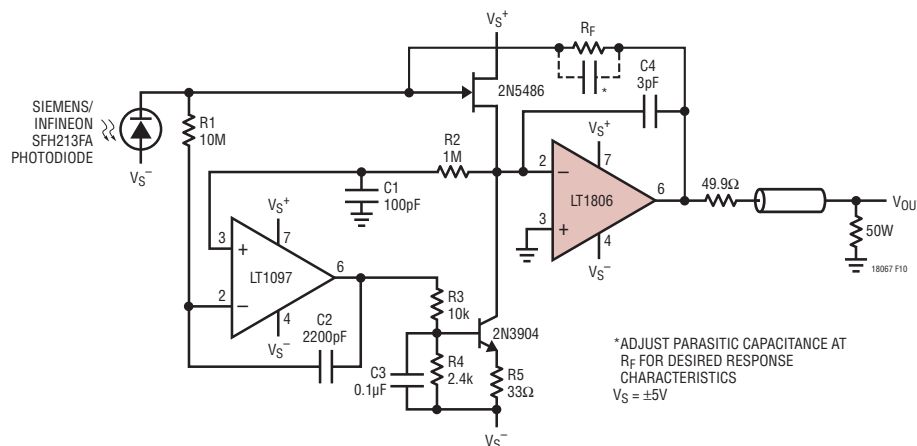
FET Input, Fast, High Gain Photodiode Amplifier

Figure 10 shows a fast, high gain transimpedance amplifier applied to a photodiode. A JFET buffer is used for its extremely low input bias current and high speed. The LT1097 and 2N3904 keep the JFET biased at I_{DSS} for zero offset and lowest voltage noise. The JFET then drives the LT1806, with R_F closing the high speed loop back to the JFET input and setting the transimpedance gain. C4 helps improve the phase margin of the fast loop. Output voltage noise density was measured as $9nV/\sqrt{Hz}$ with R_F short circuited. With R_F varied from 100k to 1M,

total output noise was below $1mV_{RMS}$ measured over a 10MHz bandwidth. Table 4 shows results achieved with various values of R_F and Figure 11 shows the time domain response with $R_F = 499k$.

Table 4. Results Achieved for Various R_F , 1.2V Output Step

| R_F | 10% to 90% RISE TIME | -3dB BANDWIDTH |
|-------|----------------------|----------------|
| 100k | 64ns | 6.8MHz |
| 200k | 94ns | 4.6MHz |
| 499k | 154ns | 3MHz |
| 1M | 263ns | 1.8MHz |



*ADJUST PARASITIC CAPACITANCE AT R_F FOR DESIRED RESPONSE CHARACTERISTICS
 $V_S = \pm 5V$

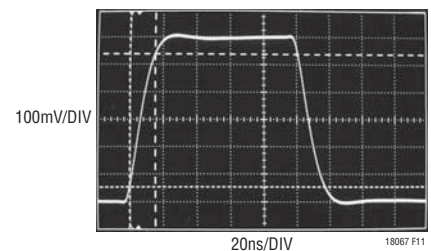


Figure 11. Step Response with $R_F = 499k$

Figure 10. Fast, High Gain Photodiode Amplifier

RELATED PARTS

| PART NUMBER | DESCRIPTION | COMMENTS |
|---------------|--|---|
| LT1395 | 400MHz Current Feedback Amplifier | 800V/ μs Slew Rate, Shutdown |
| LT1399 | Triple 300MHz Current Feedback Amplifier | 0.1dB Gain Flatness to 150MHz, Shutdown |
| LT1632/LT1633 | Dual/Quad 45MHz, 45V/ μs Rail-to-Rail Input and Output Amplifiers | High DC Accuracy 1.35mV $V_{OS(MAX)}$, 70mA Output Current, Max Supply Current 5.2mA/Amp |
| LT1809/LT1810 | Single/Dual 180MHz Input and Output Rail-to-Rail Amplifiers | 350V/ μs Slew Rate, Shutdown, Low Distortion -90dBc at 5MHz |
| LT1812/LT1813 | 3mA, 100MHz, 750V/ μs Op Amp | High Slew Rate |
| LT1818/LT1819 | 9mA, 400MHz, 2500V/ μs Op Amp | Ultrahigh Slew Rate |
| LT6200/LT6201 | 165MHz Rail-to-Rail Input and Output, 0.95nV/ \sqrt{Hz} Low Noise Op Amp | Lowest Noise |
| LT6202/LT6203 | 100MHz Rail-to-Rail Input and Output, 1.9nV/ \sqrt{Hz} Op Amp | $I_{CC} = 2.5mA$ |



Компания «ЭлектроПласт» предлагает заключение долгосрочных отношений при поставках импортных электронных компонентов на взаимовыгодных условиях!

Наши преимущества:

- Оперативные поставки широкого спектра электронных компонентов отечественного и импортного производства напрямую от производителей и с крупнейших мировых складов;
- Поставка более 17-ти миллионов наименований электронных компонентов;
- Поставка сложных, дефицитных, либо снятых с производства позиций;
- Оперативные сроки поставки под заказ (от 5 рабочих дней);
- Экспресс доставка в любую точку России;
- Техническая поддержка проекта, помощь в подборе аналогов, поставка прототипов;
- Система менеджмента качества сертифицирована по Международному стандарту ISO 9001;
- Лицензия ФСБ на осуществление работ с использованием сведений, составляющих государственную тайну;
- Поставка специализированных компонентов (Xilinx, Altera, Analog Devices, Intersil, Interpoint, Microsemi, Aeroflex, Peregrine, Syfer, Eurofarad, Texas Instrument, Miteq, Cobham, E2V, MA-COM, Hittite, Mini-Circuits, General Dynamics и др.);

Помимо этого, одним из направлений компании «ЭлектроПласт» является направление «Источники питания». Мы предлагаем Вам помощь Конструкторского отдела:

- Подбор оптимального решения, техническое обоснование при выборе компонента;
- Подбор аналогов;
- Консультации по применению компонента;
- Поставка образцов и прототипов;
- Техническая поддержка проекта;
- Защита от снятия компонента с производства.



Как с нами связаться

Телефон: 8 (812) 309 58 32 (многоканальный)

Факс: 8 (812) 320-02-42

Электронная почта: org@eplast1.ru

Адрес: 198099, г. Санкт-Петербург, ул. Калинина, дом 2, корпус 4, литера А.