

RJ45 10 Base-T Jack with Magnetic Module

ARJ11A

RoHS/RoHS II Compliant



16.26 x 13.84 x 21.59mm

FEATURES:

- Available with or without LED
- Suitable CAT 5 & 6 cable and UTP
- Comply IEEE 802.3ab
- LAN Magnetic with RJ4
- Suitable for RoHS compliant reflow

APPLICATIONS:

- 10Base-T LAN
- NIC, LoM and PC

STANDARD SPECIFICATIONS at 25°C

Operating temperature range: 0°C to +70°C Storage temperature range: -40°C to +125°C

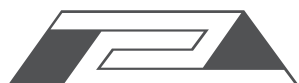
| Part Number | Turns Ratio TX/RX (±5%) | EMI fingers | LED (L/R) | Insertion Loss (dB Max) | |
|----------------------|----------------------------|----------------|--------------|-------------------------|--|
| | | | | 1-10MHz | |
| ARJ11A-MASA-KT-2 | 1CT:1.41/1CT:1 | No | --- | -1 | |
| ARJ11A-MASA-MU-2 | 1CT:1CT/1CT:1CT | No | --- | -1 | |
| ARJ11A-MBSC-A-B-FMU2 | 1CT:1CT/1CT:1CT | No | G/Y | -1 | |
| ARJ11A-MASD-MU-2 | 1CT:1CT/1CT:1CT | No | --- | -1 | |
| ARJ11A-MASE-MU2 | 1CT:1CT/1CT:1CT | No | --- | -1 | |
| ARJ11A-MASF-LT2 | 1CT:1/1CT:1 | No | --- | -1 | |
| ARJ11A-MASG-LT2 | 1CT:1/1CT:1 | No | --- | -1 | |
| ARJ11A-MASH-KU2 | 1.414:1CT/1CT:1CT | No | --- | -1.15 | |
| ARJ11A-MCSI-B-A-EKU2 | 1CT:1.41CT/1CT:1CT | Yes | Y/G | -1 | |
| ARJ11A-MASJ-MU2 | 1CT:1CT/1CT:1CT | No | --- | -1 | |
| ARJ11A-MASK-PU2 | 1:2CT/1CT:1CT | No | --- | -1.15 | |
| ARJ11A-MASL-QU2 | 1:1.414CT/1CT:1CT | No | --- | -1.15 | |
| ARJ11A-MASM-RT2 | 1CT:2.5/1CT:1 | No | --- | -1 | |
| ARJ11A-MDSN-MU2 | 1CT:1CT/1CT:1CT | Yes | --- | -1 | |
| ARJ11A-MDSO-MU2 | 1CT:1CT/1CT:1CT | Yes | --- | -1 | |

| Part Number | Attenuation TX/RX (dBMIN) | | | | Return Loss TX & RX @100Ω±15Ω (dB MIN) | | Crosstalk (dB MIN) | CMR (dB MIN) | Hipot (Vrms) 0.5mA, 2sec |
|----------------------|---------------------------|---------|---------|---------|-------------------------------------------------|-------------|-----------------------|-----------------|-----------------------------------|
| | 20MHz | 25MHz | 30MHz | 40MHz | 1-10 MHz | 5- 10MHz | | | |
| ARJ11A-MASA-KT-2 | -7/-5 | -18/-11 | -28/-16 | -33/-26 | — | -13.5 | -30 | -30 | 1500 |
| ARJ11A-MASA-MU-2 | -5/-4.2 | -18/-11 | -28/-16 | -33/-26 | — | -13.5 | -30 | -30 | 1500 |
| ARJ11A-MBSC-A-B-FMU2 | -5/-4.2 | -18/-11 | -28/-16 | -33/-26 | — | -14 | -30 | -30 | 1500 |
| ARJ11A-MASD-MU-2 | -5/-4.2 | -18/-11 | -28/-16 | -33/-26 | — | -15 | -30 | -30 | 1500 |
| ARJ11A-MASE-MU2 | — | — | -30/-20 | — | -15 | — | -30 | — | 1500 |
| ARJ11A-MASF-LT2 | -5/-4.2 | -18/-11 | -28/-16 | -33/-26 | — | -13.5 | -30 | — | 1500 |
| ARJ11A-MASG-LT2 | -5/-4.2 | -18/-11 | -28/-16 | -33/-26 | — | -15 | -30 | — | 1500 |
| ARJ11A-MASH-KU2 | -5/-4.2 | -18/-11 | -28/-16 | -33/-26 | — | -17 Typ | -30 | -30 | 1500 |
| ARJ11A-MCSI-B-A-EKU2 | — | — | -30/-18 | — | -15 | — | -30 | — | 1500 |
| ARJ11A-MASJ-MU2 | -5/-4.2 | -18/-11 | -28/-16 | -33/-26 | — | -17 Typ | -30 | -30 | 1500 |
| ARJ11A-MASK-PU2 | -5/-4.2 | -18/-11 | -28/-16 | -33/-26 | -13.5 | — | -30 | -30 | 1500 |
| ARJ11A-MASL-QU2 | -5/-4.2 | -18/-11 | -28/-16 | -33/-26 | -13.5 | — | -30 | -30 | 1500 |
| ARJ11A-MASM-RT2 | — | — | — | — | — | -15 | — | -25 | 1500 |
| ARJ11A-MDSN-MU2 | -7/-6 | -19/-14 | -30/-20 | -32/-31 | — | -17 | -30 | — | 1500 |
| ARJ11A-MDSO-MU2 | — | — | -30/-18 | — | -15 | — | -30 | — | 1500 |

CMR: Common Mode Rejection

Contact Abracon for more custom configurations. See options to build a custom configuration

ABRACON IS
ISO 9001:2008
CERTIFIED



ABRACON
CORPORATION

Visit www.abracon.com for Terms & Conditions of Sale
30332 Esperanza, Rancho Santa Margarita, California 92688
tel 949-546-8000 | fax 949-546-8001 | www.abracon.com

Revised: 03.06.13

RJ45 10 Base-T Jack with Magnetic Module

ARJ11A

RoHS/RoHS II Compliant



16.26 x 13.84 x 21.59mm

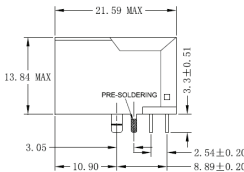
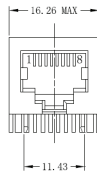
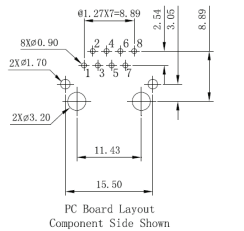
OPTIONS AND PART IDENTIFICATION

ARJ11A - - - - - - - -

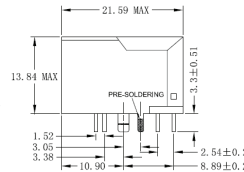
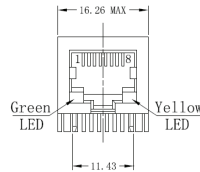
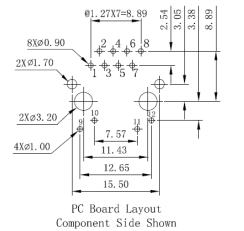
| Mechanical | Schematic | Left LED color (e.g. B for Yellow, AB for Green-Yellow) | Right LED color (e.g. B for Yellow, AB for Green-Yellow) | LED polarity Blank: No LED E ~ J (Please see 7.0 LED polarity section) | Turns Ratio (Tx) | Turns Ratio (Rx) | Gold plating |
|--------------------------------------------------|-------------------------------------------------|-----------------------------------------------------------------|-----------------------------------------------------------------|-------------------------------------------------------------------------------------------|------------------------------------------------------------------------------------------------------------------|------------------------------------------------------------------------------------------------------------------|--------------------------------------------------------|
| MA ~ MD (Please see mechanical section) | SA ~ SO (Please see schematic section) | Blank: No LED A: Green B: Yellow C: Amber D: Orange | Blank: No LED A: Green B: Yellow C: Amber D: Orange | Blank: No LED E ~ J (Please see 7.0 LED polarity section) | K: 1CT:1.41 L: 1CT:1 M: 1CT:1CT N: 1.414:1CT O: 1CT:1.41CT P: 1:2CT Q: 1:1.414CT R: 1CT:2.5 | S: 1CT:1.41 T: 1CT:1 U: 1CT:1CT V: 1.414:1CT W: 1CT:1.41CT X: 1:2CT Y: 1:1.414CT Z: 1CT:2.5 | 1: 3u “ 2: 6u “ 3: 15u “ 4: 30u “ 5: 50u “ |

MECHANICAL DIMENSIONS

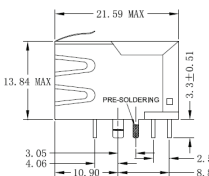
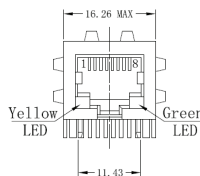
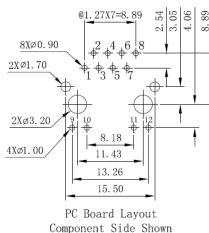
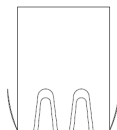
MA



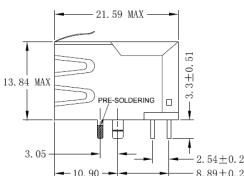
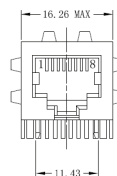
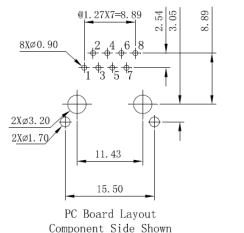
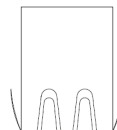
MB



MC



MD



ABRACON IS
ISO 9001:2008
CERTIFIED



ABRACON
CORPORATION

Visit www.abracon.com for Terms & Conditions of Sale
30332 Esperanza, Rancho Santa Margarita, California 92688
tel 949-546-8000 | fax 949-546-8001 | www.abracon.com

Revised: 03.06.13

RJ45 10 Base-T Jack with Magnetic Module

ARJ11A

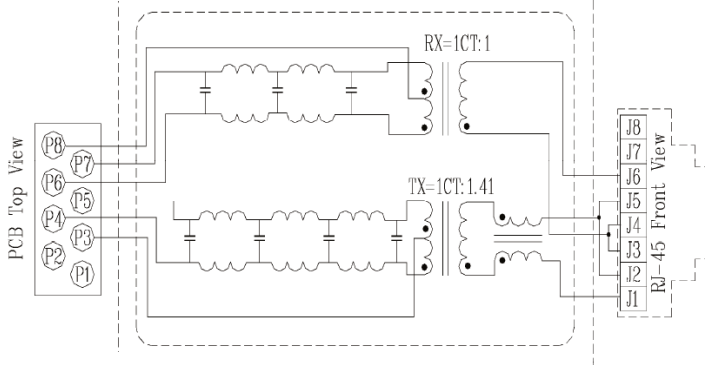
RoHS/RoHS II Compliant



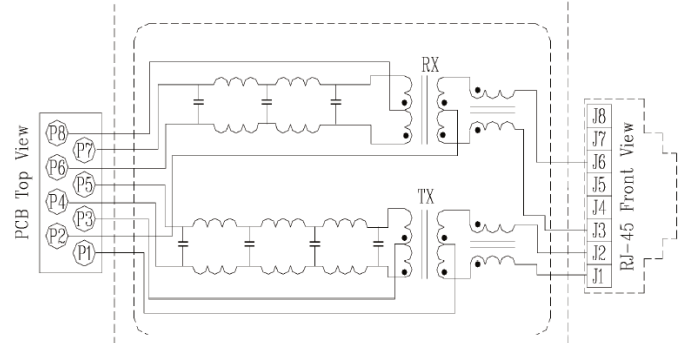
16.26 x 13.84 x 21.59mm

SCHEMATICS

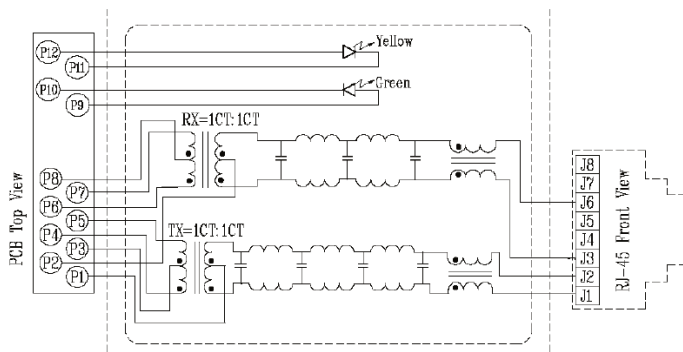
SA



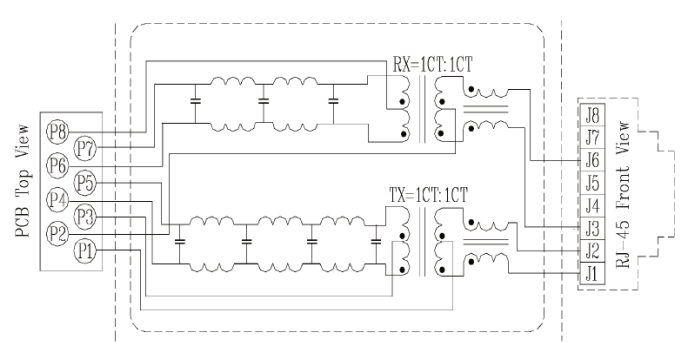
SB



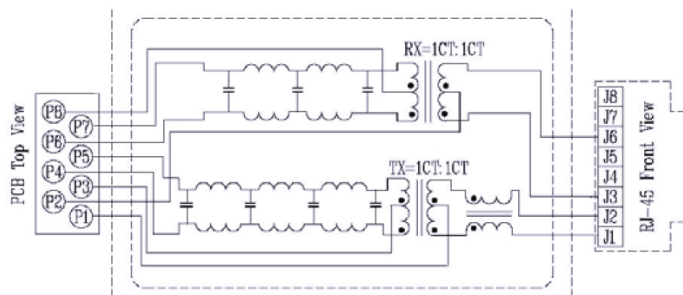
SC



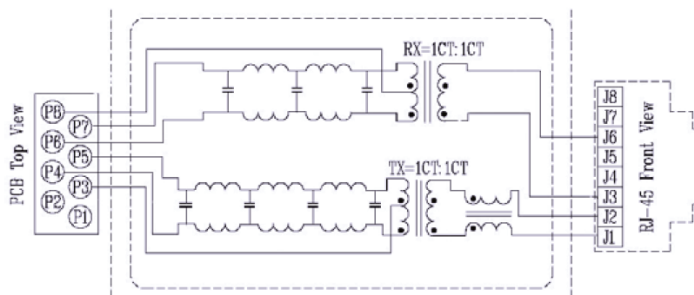
SD



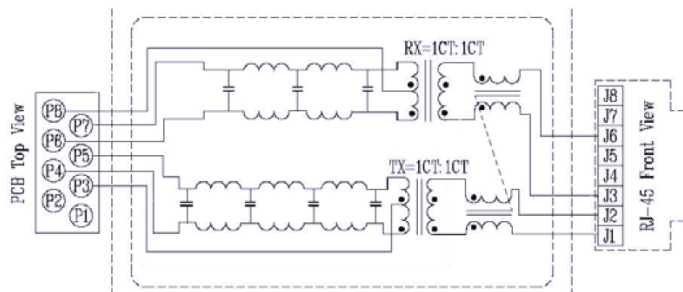
SE



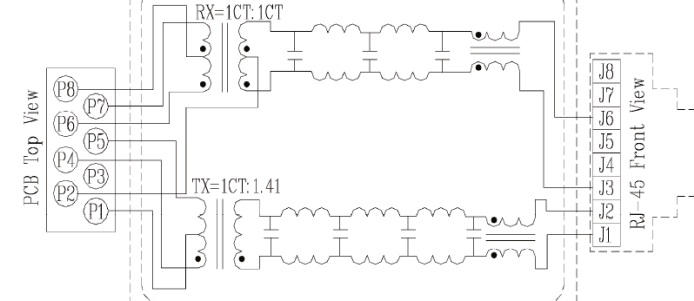
SF



SG



SH



RJ45 10 Base-T Jack with Magnetic Module

ARJ11A

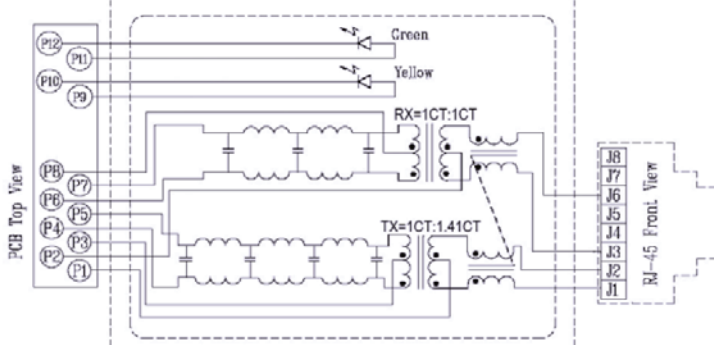
RoHS/RoHS II Compliant



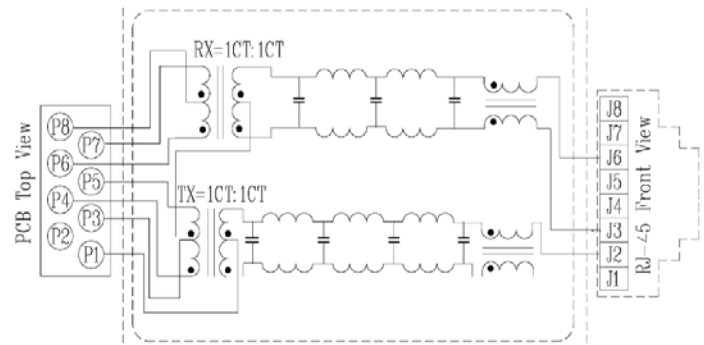
16.26 x 13.84 x 21.59mm

SCHEMATICS - continued

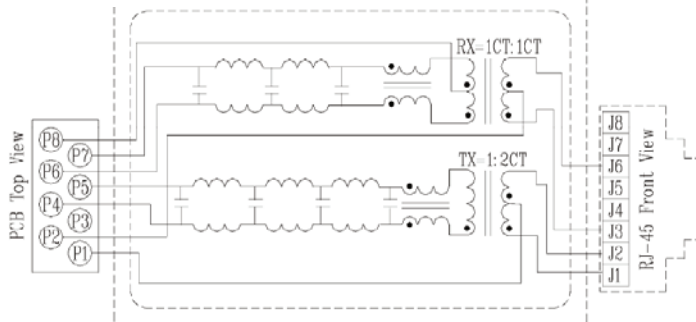
SI



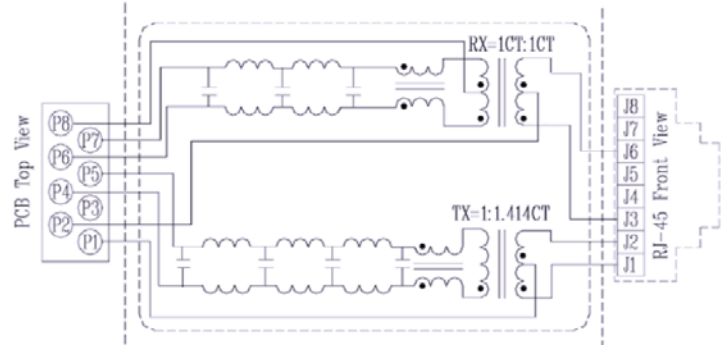
SJ



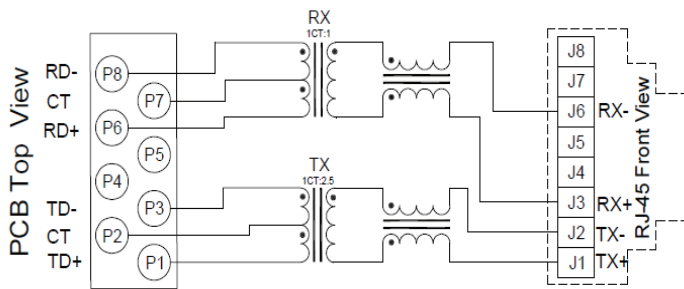
SK



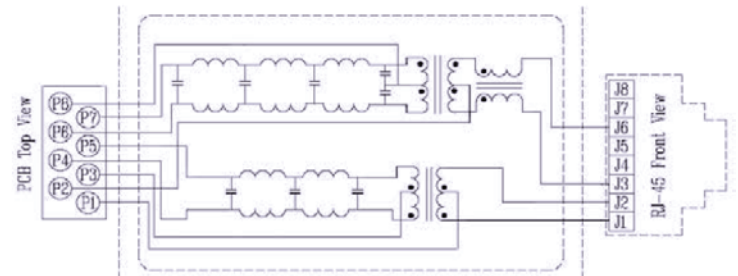
SL



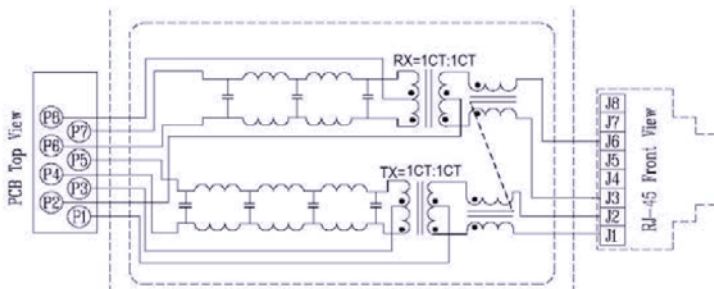
SM



SN



SO



RJ45 10 Base-T Jack with Magnetic Module

ARJ11A

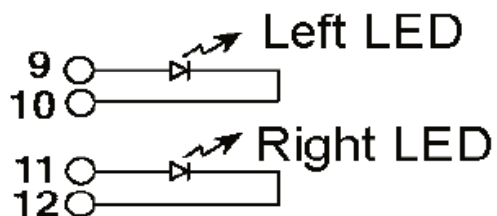
RoHS/RoHS II Compliant



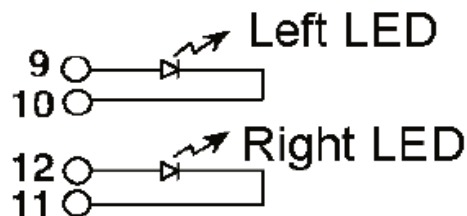
16.26 x 13.84 x 21.59mm

LED POLARITY

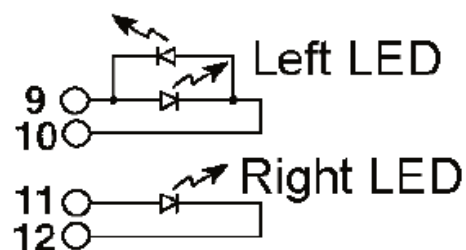
E



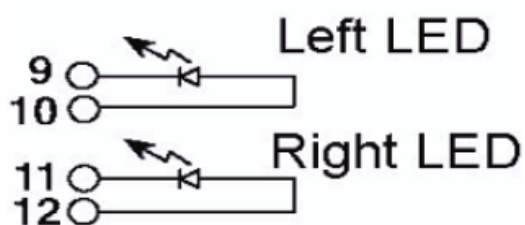
F



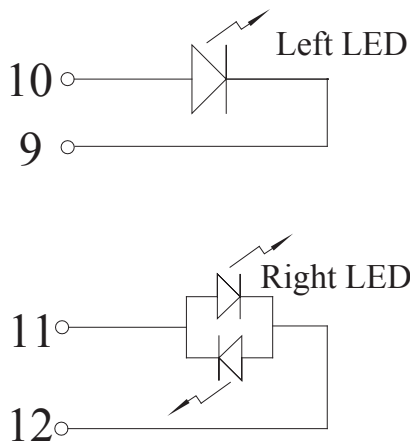
G



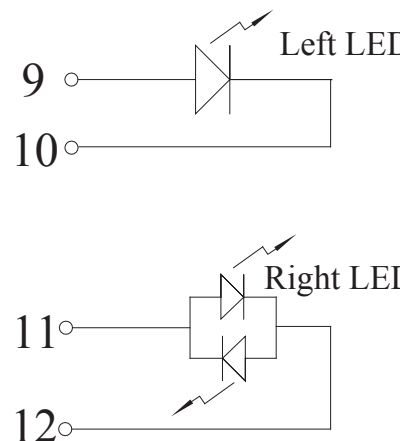
H



I



J



$V_{in}=2.1V_{dc}$ TYP.

2.5Vdc MAX.

RJ45 10 Base-T Jack with Magnetic Module

ARJ11A

RoHS/RoHS II Compliant

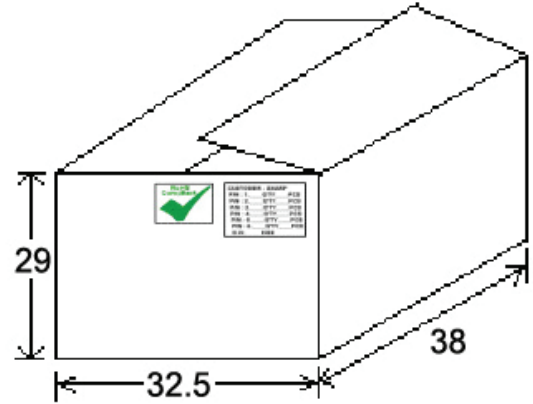
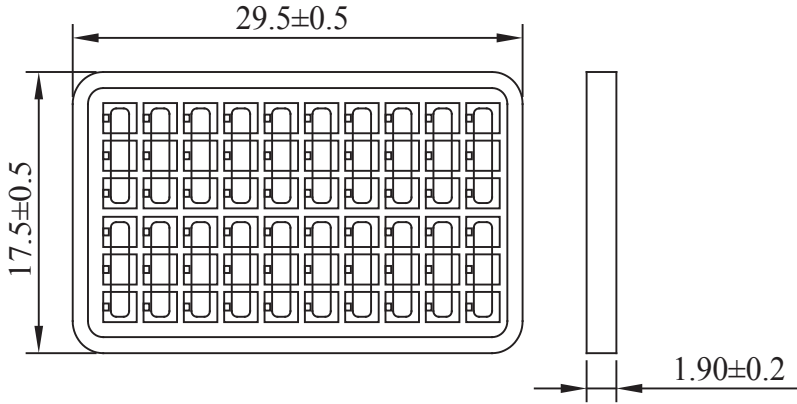


16.26 x 13.84 x 21.59mm

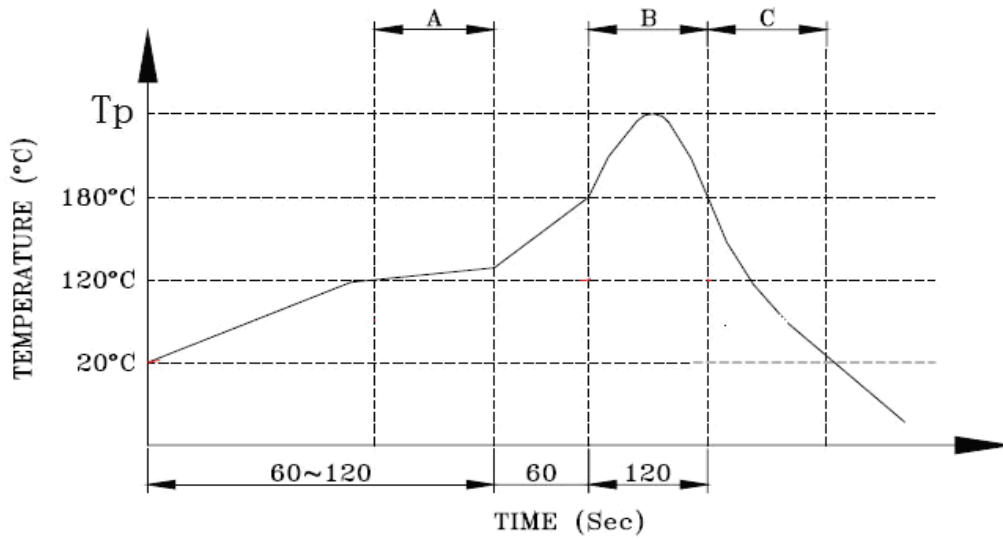
PACKING: 60pcs/tray

Packaging material: PET

Outer carton unit 1320 pcs/ 22 Travs/box



REFLOW PROFILE:



— PIN TEMPERATURE
 A. Preheating B. Soldering C. Gradual Cooling

Peak temperature(T_p) : $250 \pm 10^\circ\text{C}$
 Peak temperature(T_p) time : 5sec max

ATTENTION: Abracon Corporation's products are COTS – Commercial-Off-The-Shelf products; suitable for Commercial, Industrial and, where designated, Automotive Applications. Abracon's products are not specifically designed for Military, Aviation, Aerospace, Life-dependant Medical applications or any application requiring high reliability where component failure could result in loss of life and/or property. For applications requiring high reliability and/or presenting an extreme operating environment, written consent and authorization from Abracon Corporation is required. Please contact Abracon Corporation for more information.

ABRACON IS
 ISO 9001:2008
 CERTIFIED



ABRACON
 CORPORATION

Visit www.abracon.com for Terms & Conditions of Sale
 30332 Esperanza, Rancho Santa Margarita, California 92688
 tel 949-546-8000 | fax 949-546-8001 | www.abracon.com

Revised: 03.06.13



Компания «ЭлектроПласт» предлагает заключение долгосрочных отношений при поставках импортных электронных компонентов на взаимовыгодных условиях!

Наши преимущества:

- Оперативные поставки широкого спектра электронных компонентов отечественного и импортного производства напрямую от производителей и с крупнейших мировых складов;
- Поставка более 17-ти миллионов наименований электронных компонентов;
- Поставка сложных, дефицитных, либо снятых с производства позиций;
- Оперативные сроки поставки под заказ (от 5 рабочих дней);
- Экспресс доставка в любую точку России;
- Техническая поддержка проекта, помощь в подборе аналогов, поставка прототипов;
- Система менеджмента качества сертифицирована по Международному стандарту ISO 9001;
- Лицензия ФСБ на осуществление работ с использованием сведений, составляющих государственную тайну;
- Поставка специализированных компонентов (Xilinx, Altera, Analog Devices, Intersil, Interpoint, Microsemi, Aeroflex, Peregrine, Syfer, Eurofarad, Texas Instrument, Miteq, Cobham, E2V, MA-COM, Hittite, Mini-Circuits, General Dynamics и др.);

Помимо этого, одним из направлений компании «ЭлектроПласт» является направление «Источники питания». Мы предлагаем Вам помощь Конструкторского отдела:

- Подбор оптимального решения, техническое обоснование при выборе компонента;
- Подбор аналогов;
- Консультации по применению компонента;
- Поставка образцов и прототипов;
- Техническая поддержка проекта;
- Защита от снятия компонента с производства.



Как с нами связаться

Телефон: 8 (812) 309 58 32 (многоканальный)

Факс: 8 (812) 320-02-42

Электронная почта: org@eplast1.ru

Адрес: 198099, г. Санкт-Петербург, ул. Калинина, дом 2, корпус 4, литера А.