

## Overvoltage protected AC switch

### Features

- Triac with overvoltage protection
- Low  $I_{GT}$  (<10 mA) or high immunity ( $I_{GT}$ <35 mA) version
- High noise immunity: static  $dV/dt > 1000$  V/ $\mu$ s
- TO-220FPAB insulated package: 1500 V rms

### Benefits

- Enables equipment to meet IEC 61000-4-5
- High off-state reliability with planar technology
- Needs no external overvoltage protection
- Reduces the power passive component count
- High immunity against fast transients described in IEC 61000-4-4 standards

### Applications

- AC mains static switching in appliance and industrial control systems
- Drive of medium power AC loads such as:
  - Universal motor of washing machine drum
  - Compressor for fridge or air conditioner

### Description

The ACST4 series belongs to the ACS™/ACST power switch family built with A.S.D.® (application specific discrete) technology. This high performance device is suited to home appliances or industrial systems, and drives loads up to 4 A.

This ACST4 switch embeds a Triac structure and a high voltage clamping device able to absorb the inductive turn-off energy and withstand line transients such as those described in the IEC 61000-4-5 standards. The ACST410 needs only a low gate current to be activated ( $I_{GT} < 10$  mA) and still shows a high noise immunity complying with IEC standards such as IEC 61000-4-4 (fast transient burst test).

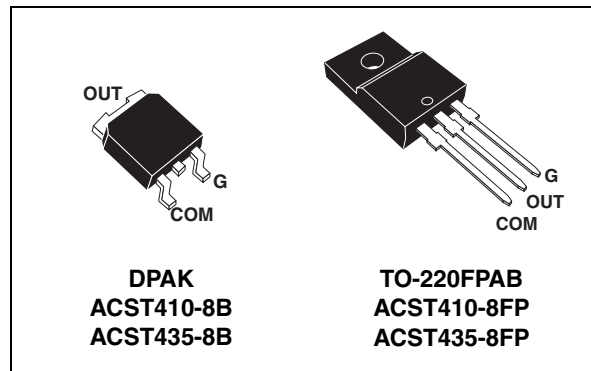


Figure 1. Functional diagram

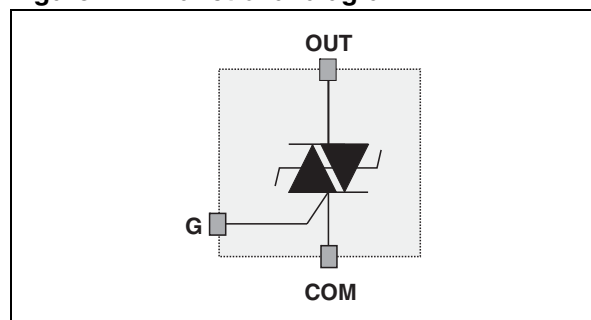


Table 1. Device summary

Symbol	Value	Unit
$I_{T(RMS)}$	4	A
$V_{DRM}/V_{RRM}$	800	V
$I_{GT}$ (ACST410)	10	mA
$I_{GT}$ (ACST435)	35	mA

TM: ACS is a trademark of STMicroelectronics.

®: A.S.D. is a registered trademark of STMicroelectronics

# 1 Characteristics

**Table 2. Absolute ratings (limiting values)**

Symbol	Parameter		Value	Unit	
$I_{T(RMS)}$	On-state rms current (full sine wave)	TO-220FPAB	$T_c = 102\text{ }^\circ\text{C}$	4	A
		DPAK	$T_c = 112\text{ }^\circ\text{C}$		
		DPAK with 0.5 cm <sup>2</sup> copper	$T_{amb} = 60\text{ }^\circ\text{C}$	1	
$I_{TSM}$	Non repetitive surge peak on-state current $T_j$ initial = 25 °C, ( full cycle sine wave)	F = 60 Hz	$t_p = 16.7\text{ ms}$	32	A
		F = 50 Hz	$t_p = 20\text{ ms}$	30	A
$I^2t$	$I^2t$ for fuse selection		$t_p = 10\text{ ms}$	6	A <sup>2</sup> s
$di/dt$	Critical rate of rise on-state current $I_G = 2 \times I_{GT}$ , ( $t_r \leq 100\text{ ns}$ )	F = 120 Hz	$T_j = 125\text{ }^\circ\text{C}$	100	A/ $\mu$ s
$V_{PP}$	Non repetitive line peak pulse voltage <sup>(1)</sup>		$T_j = 25\text{ }^\circ\text{C}$	2	kV
$P_{G(AV)}$	Average gate power dissipation		$T_j = 125\text{ }^\circ\text{C}$	0.1	W
$P_{GM}$	Peak gate power dissipation ( $t_p = 20\text{ }\mu$ s)		$T_j = 125\text{ }^\circ\text{C}$	10	W
$I_{GM}$	Peak gate current ( $t_p = 20\text{ }\mu$ s)		$T_j = 125\text{ }^\circ\text{C}$	1.6	A
$T_{stg}$	Storage temperature range			-40 to +150	°C
$T_j$	Operating junction temperature range			-40 to +125	°C
$T_l$	Maximum lead solder temperature during 10 ms (at 3 mm from plastic case)			260	°C
$V_{INS(RMS)}$	Insulation rms voltage	TO-220FPAB		1500	V

1. According to test described in IEC 61000-4-5 standard and [Figure 19](#).

**Table 3. Electrical characteristics**

Symbol	Test conditions	Quadrant	$T_j$		ACST410	ACST435	Unit
$I_{GT}^{(1)}$	$V_{OUT} = 12\text{ V}$ , $R_L = 33\text{ }\Omega$	I - II - III	25 °C	MAX.	10	35	mA
$V_{GT}$	$V_{OUT} = 12\text{ V}$ , $R_L = 33\text{ }\Omega$	I - II - III	25 °C	MAX.	1.0	1.1	V
$V_{GD}$	$V_{OUT} = V_{DRM}$ , $R_L = 3.3\text{ k}\Omega$	I - II - III	125 °C	MIN.	0.2		V
$I_H^{(2)}$	$I_{OUT} = 500\text{ mA}$		25 °C	MAX.	20	25	mA
$I_L$	$I_G = 1.2 \times I_{GT}$	I - II - III	25 °C	MAX.	40	60	mA
$dV/dt^{(2)}$	$V_{OUT} = 67\% V_{DRM}$ , gate open		125 °C	MIN.	500	1000	V/ $\mu$ s
$(di/dt)_c^{(2)}$	Without snubber		125 °C	MIN.		5	A/ms
$(di/dt)_c^{(2)}$	$(dV/dt)_c = 15\text{ V}/\mu$ s		125 °C		2		A/ms
$V_{CL}$	$I_{CL} = 0.1\text{ mA}$ , $t_p = 1\text{ ms}$		25 °C	MIN.	850		V

1. Minimum  $I_{GT}$  is guaranteed at 5% of  $I_{GT}$  max
2. For both polarities of OUT pin referenced to COM pin

**Table 4. Static characteristics**

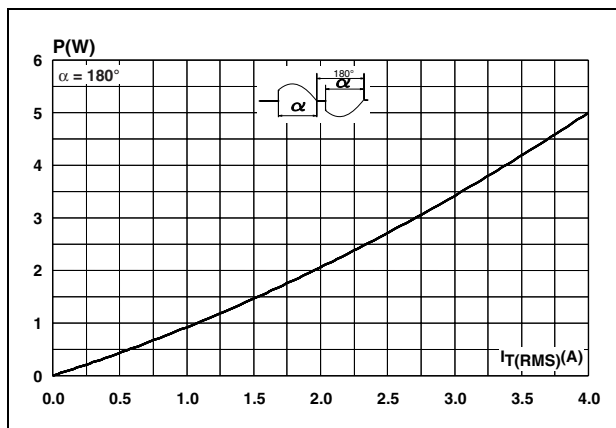
Symbol	Test conditions			Value	Unit
$V_{TM}^{(1)}$	$I_{OUT} = 5.6 \text{ A}$ , $t_p = 500 \mu\text{s}$	$T_j = 25 \text{ }^\circ\text{C}$	MAX.	1.7	V
$V_{T0}^{(1)}$	Threshold voltage	$T_j = 125 \text{ }^\circ\text{C}$	MAX.	0.9	V
$R_d^{(1)}$	Dynamic resistance	$T_j = 125 \text{ }^\circ\text{C}$	MAX.	110	m $\Omega$
$I_{DRM}$ $I_{RRM}$	$V_{OUT} = V_{DRM} / V_{RRM}$	$T_j = 25 \text{ }^\circ\text{C}$	MAX.	20	$\mu\text{A}$
		$T_j = 125 \text{ }^\circ\text{C}$	MAX.	500	$\mu\text{A}$

1. For both polarities of OUT pin referenced to COM pin

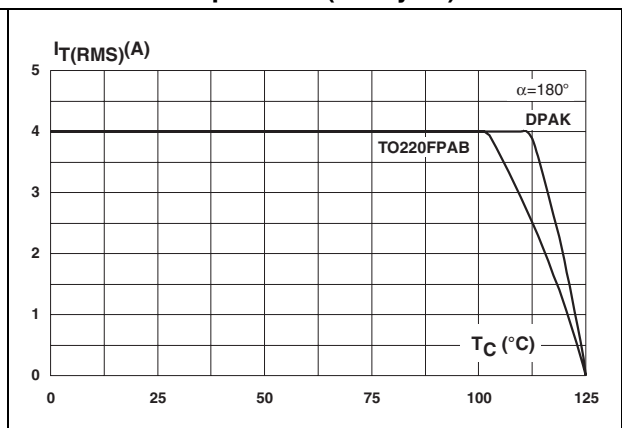
**Table 5. Thermal resistances**

Symbol	Parameter		Value	Unit
$R_{th(j-a)}$	Junction to ambient	TO-220FPAB	60	$^\circ\text{C/W}$
	Junction to ambient (soldered on 0.5 cm <sup>2</sup> copper pad)	DPAK	70	
$R_{th(j-c)}$	Junction to case for full cycle sine wave conduction	TO-220FPAB	4.6	$^\circ\text{C/W}$
		DPAK	2.6	

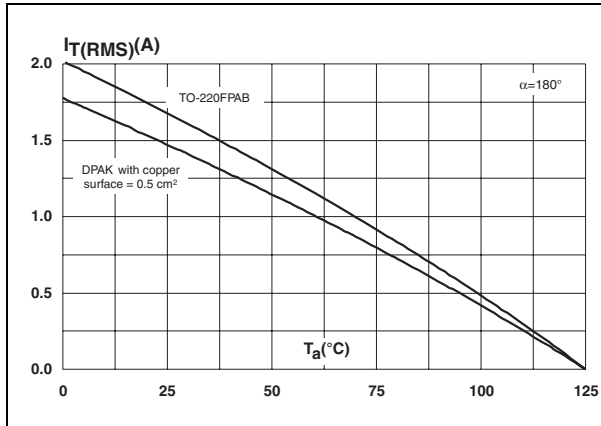
**Figure 2. Maximum power dissipation versus on-state rms current**



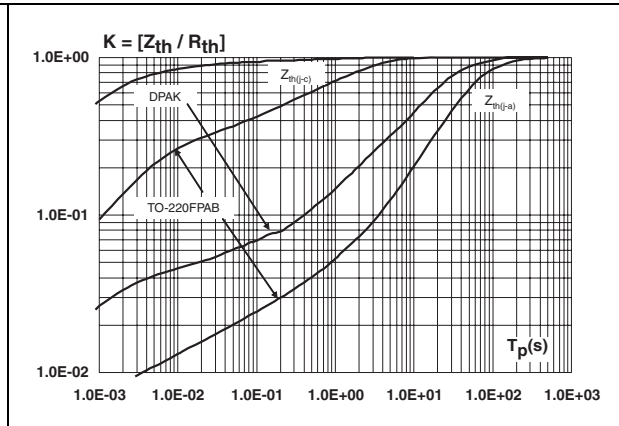
**Figure 3. On-state rms current versus case temperature (full cycle)**



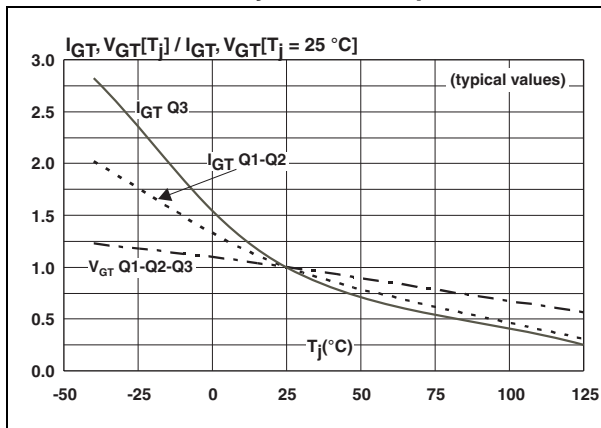
**Figure 4. On-state rms current versus ambient temperature (free air convection, full cycle)**



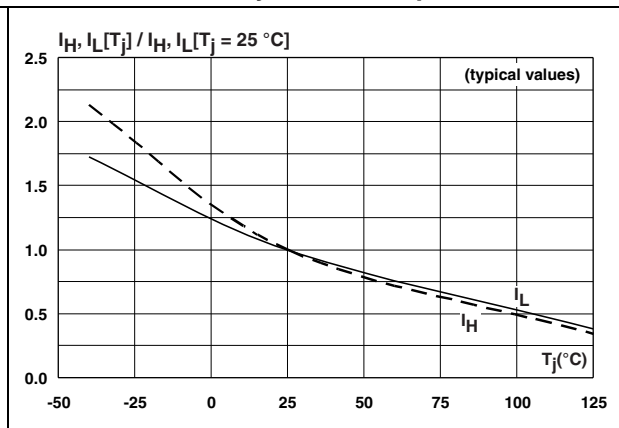
**Figure 5. Relative variation of thermal impedance versus pulse duration**



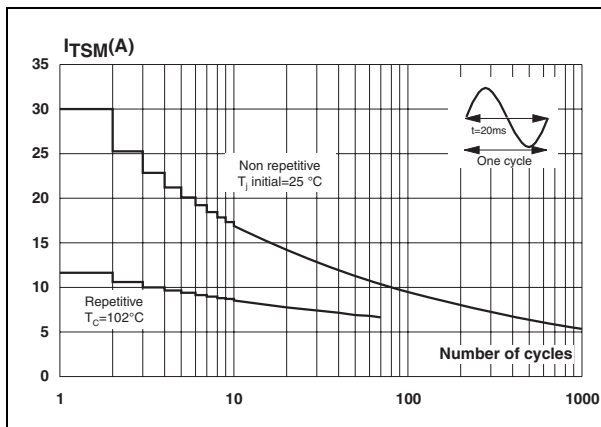
**Figure 6. Relative variation of gate trigger current ( $I_{GT}$ ) and voltage ( $V_{GT}$ ) versus junction temperature**



**Figure 7. Relative variation of holding current ( $I_H$ ) and latching current ( $I_L$ ) versus junction temperature**



**Figure 8. Surge peak on-state current versus number of cycles**



**Figure 9. Non repetitive surge peak on-state current and corresponding value of  $I^2t$  versus sinusoidal pulse width**

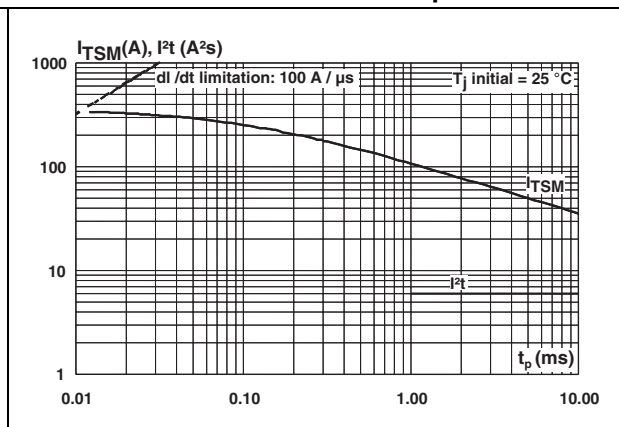


Figure 10. On-state characteristics (maximum values)

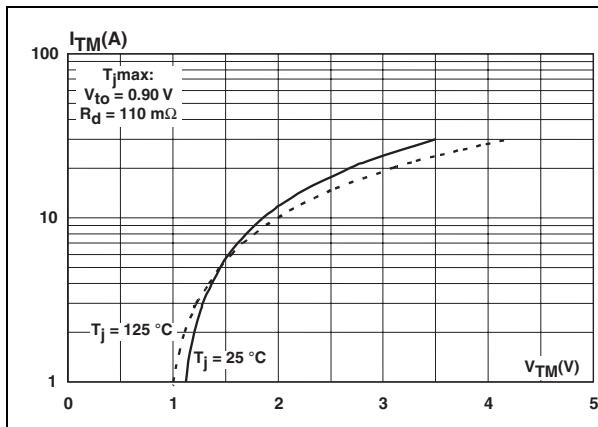


Figure 11. Relative variation of critical rate of decrease of main current  $(di/dt)_c$  versus junction temperature

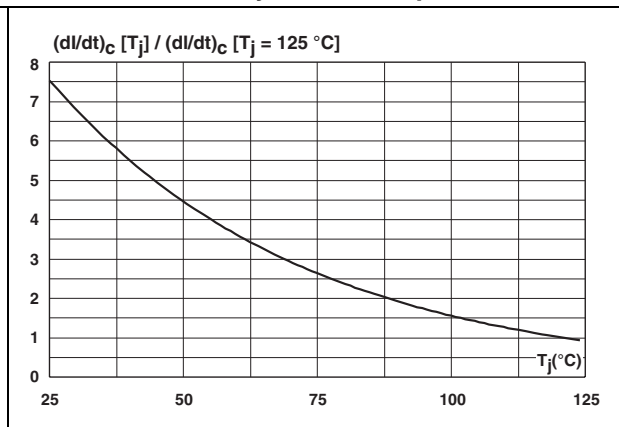


Figure 12. Relative variation of static dV/dt immunity versus junction temperature (gate open)

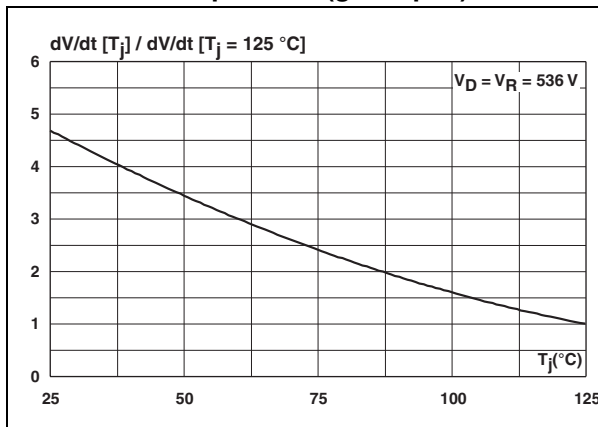


Figure 13. Relative variation of leakage current versus junction temperature

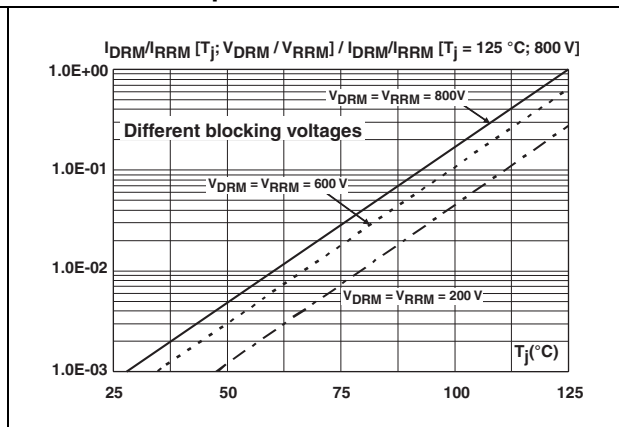


Figure 14. Relative variation of the clamping voltage  $(V_{CL})$  versus junction temperature (minimum values)

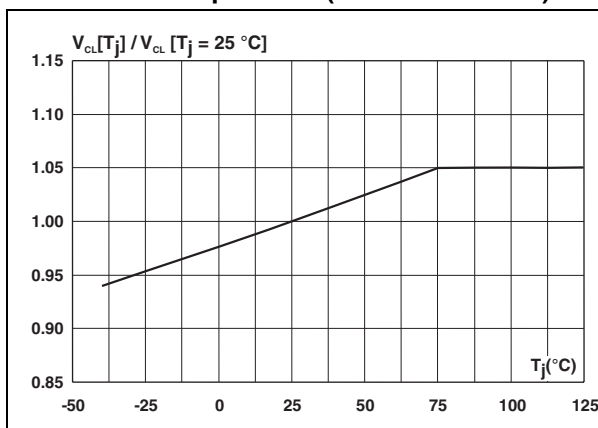
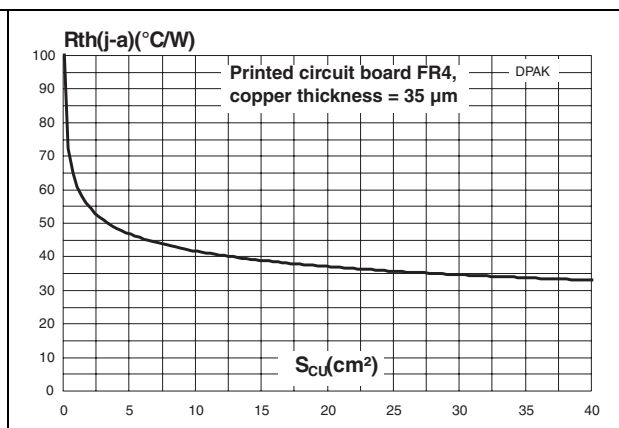


Figure 15. Thermal resistance junction to ambient versus copper surface under tab



## 2 Application information

### 2.1 Typical application description

The ACST4 device has been designed to control medium power load, such as AC motors in home appliances. Thanks to its thermal and turn off commutation performances, the ACST4 switch is able to drive an inductive load up to 4 A with no turn off additional snubber. It also provides high thermal performances in static and transient modes such as the compressor inrush current or high torque operating conditions of an AC motor. Thanks to its low gate triggering current level, the ACST4 can be driven directly by an MCU through a simple gate resistor as shown [Figure 16](#) and [Figure 17](#).

**Figure 16. Compressor control – typical diagrams**

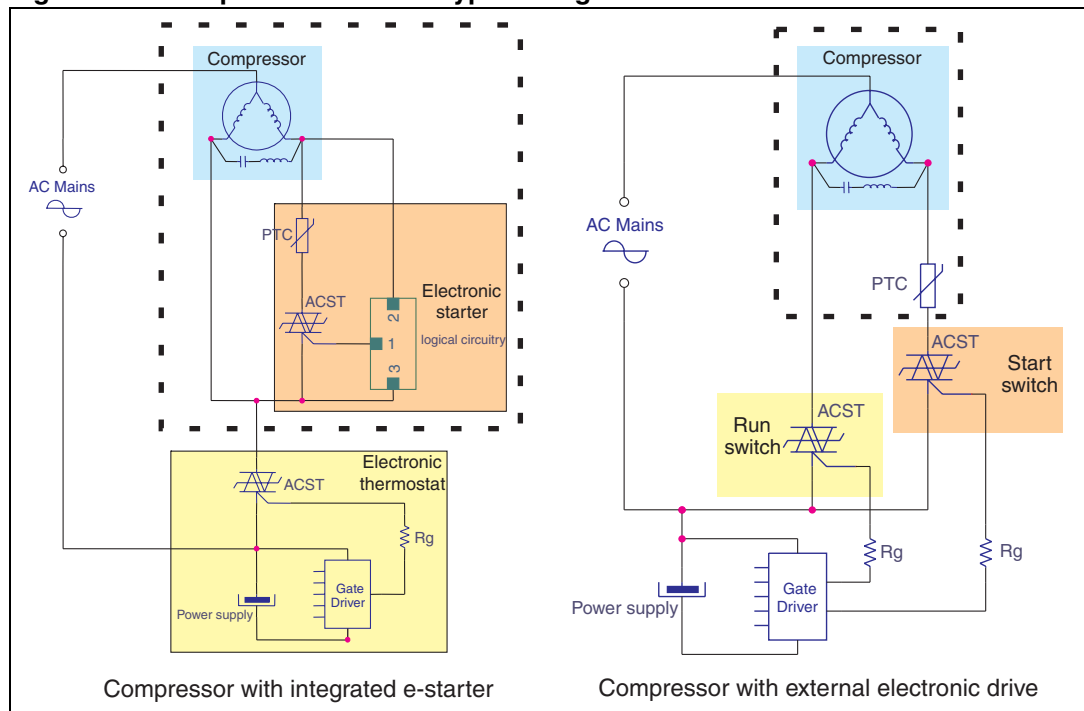
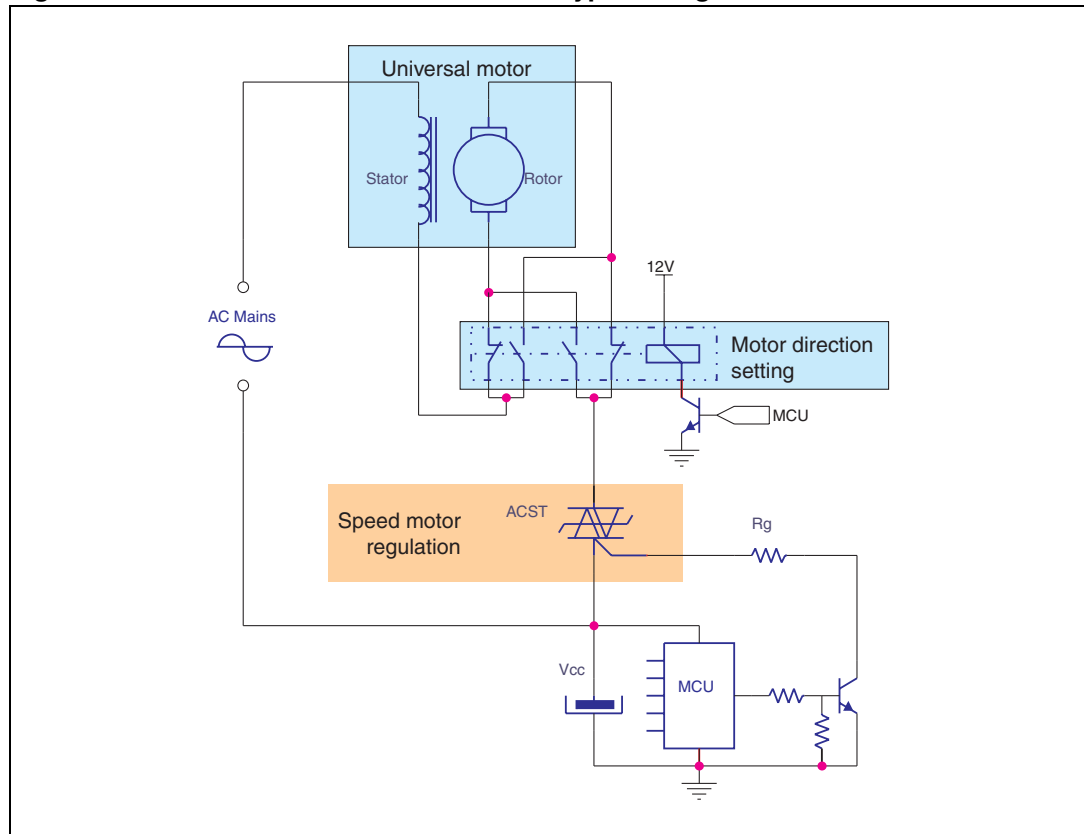


Figure 17. Universal drum motor control – typical diagram

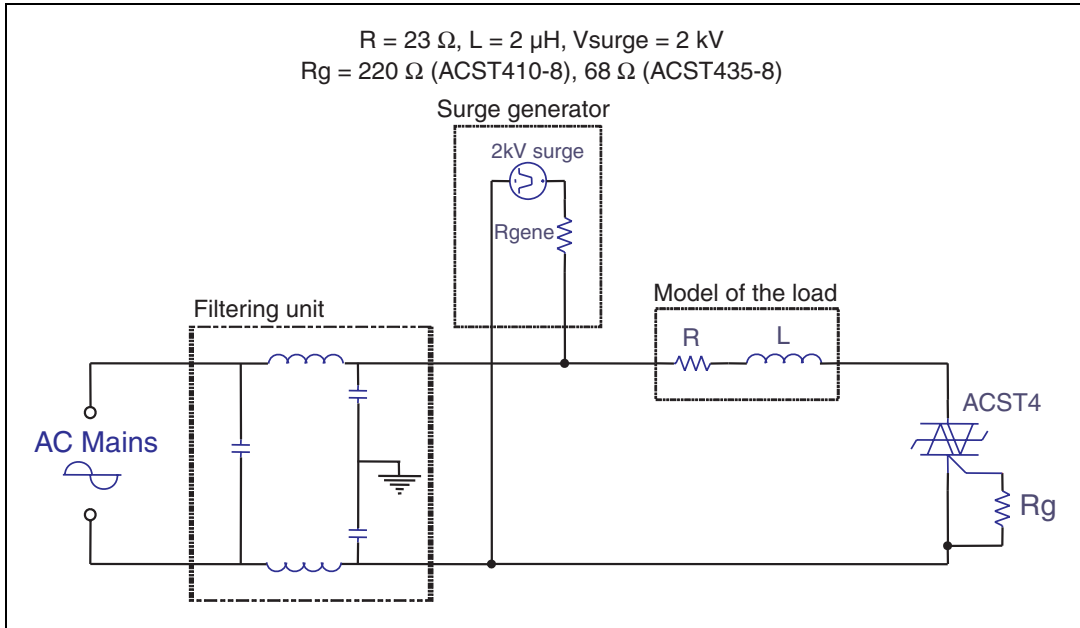


## 2.2 AC line transient voltage ruggedness

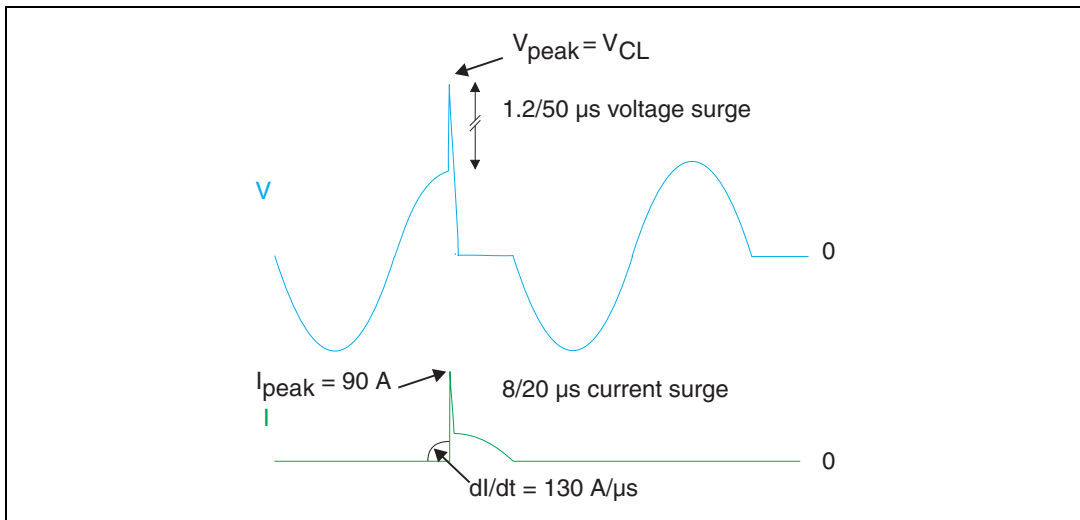
In comparison with standard Triacs, which are not robust against surge voltage, the ACST4 is self-protected against over-voltage, specified by the new parameter  $V_{CL}$ . The ACST4 switch can safely withstand AC line transient voltages either by clamping the low energy spikes, such as inductive spikes at switch off, or by switching to the on state (for less than 10 ms) to dissipate higher energy shocks through the load. This safety feature works even with high turn-on current ramp up.

The test circuit of [Figure 18](#) represents the ACST4 application, and is used to stress the ACST switch according to the IEC 61000-4-5 standard conditions. With the additional effect of the load which is limiting the current, the ACST switch withstands the voltage spikes up to 2 kV on top of the peak line voltage. The protection is based on an overvoltage crowbar technology. The ACST4 folds back safely to the on state as shown in [Figure 19](#). The ACST4 recovers its blocking voltage capability after the surge and the next zero current crossing. Such a non repetitive test can be done at least 10 times on each AC line voltage polarity.

**Figure 18. Overvoltage ruggedness test circuit for resistive and inductive loads for IEC 61000-4-5 standards**



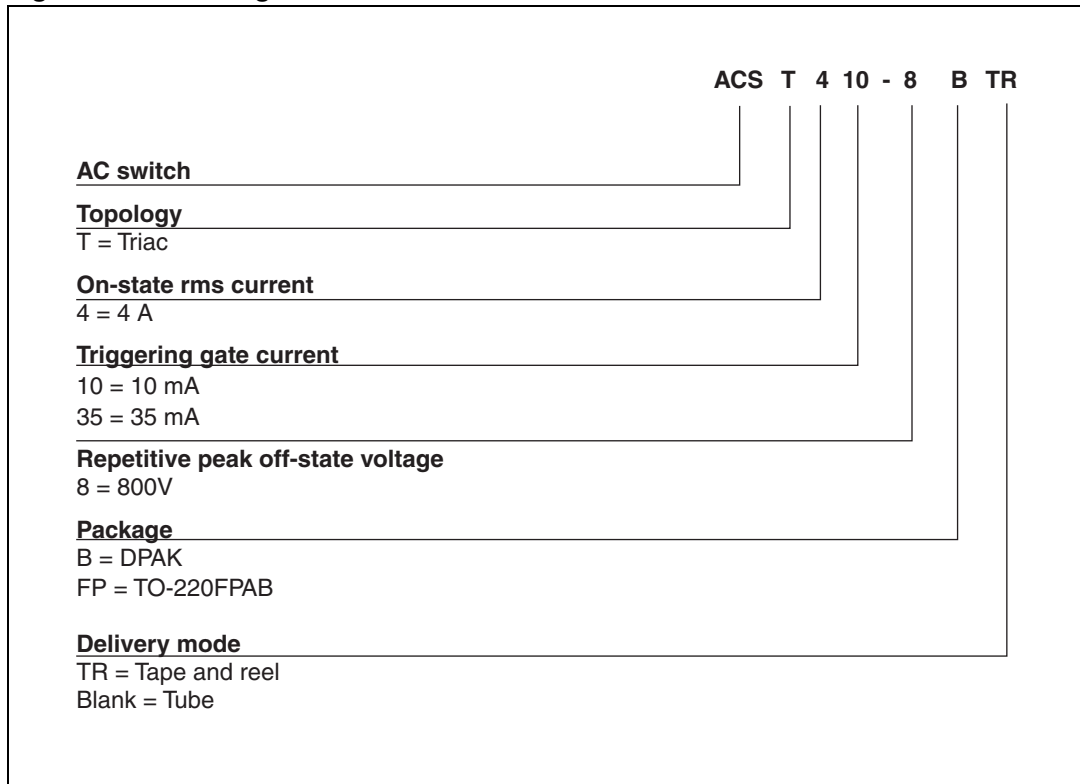
**Figure 19. Typical current and voltage waveforms across the ACST4 during IEC 61000-4-5 standard test**





### 3 Ordering information scheme

Figure 20. Ordering information scheme



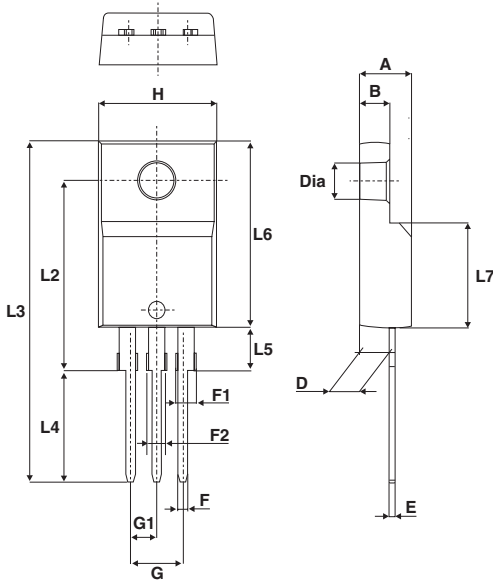
# 4 Package information

- Epoxy meets UL94, V0
- Cooling method: by conduction (C)
- Recommended torque value(TO220FPAB): 0.4 to 0.6 N·m

In order to meet environmental requirements, ST offers these devices in different grades of ECOPACK® packages, depending on their level of environmental compliance. ECOPACK® specifications, grade definitions and product status are available at: [www.st.com](http://www.st.com). ECOPACK® is an ST trademark.

**Table 6. TO-220FPAB dimensions**

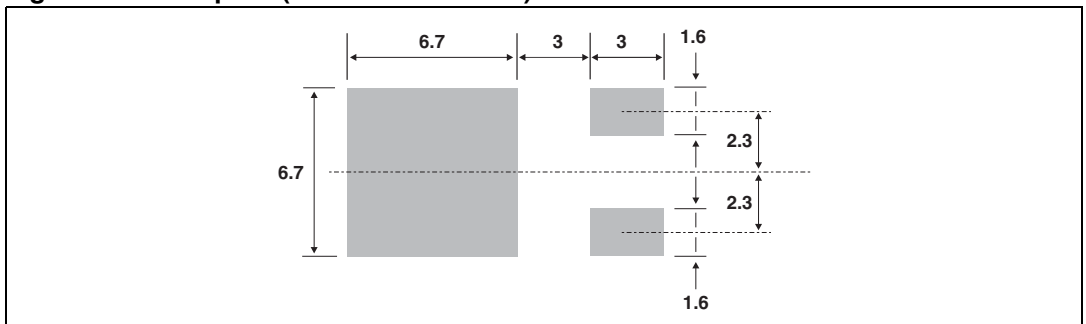
Ref.	Dimensions			
	Millimeters		Inches	
	Min.	Max.	Min.	Max.
A	4.4	4.6	0.173	0.181
B	2.5	2.7	0.098	0.106
D	2.5	2.75	0.098	0.108
E	0.45	0.70	0.018	0.027
F	0.75	1	0.030	0.039
F1	1.15	1.70	0.045	0.067
F2	1.15	1.50	0.045	0.059
G	4.95	5.20	0.195	0.205
G1	2.4	2.7	0.094	0.106
H	10	10.4	0.393	0.409
L2	16 Typ.		0.63 Typ.	
L3	28.6	30.6	1.126	1.205
L4	9.8	10.6	0.386	0.417
L5	2.9	3.6	0.114	0.142
L6	15.9	16.4	0.626	0.646
L7	9.00	9.30	0.354	0.366
Dia.	3.00	3.20	0.118	0.126



**Table 7. DPAK dimensions**

Ref.	Dimensions			
	Millimeters		Inches	
	Min.	Max.	Min.	Max.
A	2.20	2.40	0.086	0.094
A1	0.90	1.10	0.035	0.043
A2	0.03	0.23	0.001	0.009
B	0.64	0.90	0.025	0.035
B2	5.20	5.40	0.204	0.212
C	0.45	0.60	0.017	0.023
C2	0.48	0.60	0.018	0.023
D	6.00	6.20	0.236	0.244
E	6.40	6.60	0.251	0.259
G	4.40	4.60	0.173	0.181
H	9.35	10.10	0.368	0.397
L2	0.80 typ.		0.031 typ.	
L4	0.60	1.00	0.023	0.039
V2	0°	8°	0°	8°

**Figure 21. Footprint (dimensions in mm)**



## 5 Ordering information

**Table 8. Ordering information**

Order code	Marking	Package	Weight	Base Qty	Delivery mode
ACST410-8B	ACST4108	DKAK	1.5 g	50	Tube
ACST410-8BTR		DKAK	1.5 g	1000	Tape and reel
ACST410-8FP		TO-220FPAB	2.4 g	50	Tube
ACST435-8B	ACST4358	DKAK	1.5 g	50	Tube
ACST435-8BTR		DKAK	1.5 g	1000	Tape and reel
ACST435-8FP		TO-220FPAB	2.4 g	50	Tube

## 6 Revision history

**Table 9. Document revision history**

Date	Revision	Changes
Jan-2003	3A	Previous update.
04-Jul-2007	4	Reformatted to current standard. Added package.
18-Dec-2009	5	$V_{DRM}/V_{RRM}$ updated to 800 V. Order codes updated.

**Please Read Carefully:**

Information in this document is provided solely in connection with ST products. STMicroelectronics NV and its subsidiaries ("ST") reserve the right to make changes, corrections, modifications or improvements, to this document, and the products and services described herein at any time, without notice.

All ST products are sold pursuant to ST's terms and conditions of sale.

Purchasers are solely responsible for the choice, selection and use of the ST products and services described herein, and ST assumes no liability whatsoever relating to the choice, selection or use of the ST products and services described herein.

No license, express or implied, by estoppel or otherwise, to any intellectual property rights is granted under this document. If any part of this document refers to any third party products or services it shall not be deemed a license grant by ST for the use of such third party products or services, or any intellectual property contained therein or considered as a warranty covering the use in any manner whatsoever of such third party products or services or any intellectual property contained therein.

**UNLESS OTHERWISE SET FORTH IN ST'S TERMS AND CONDITIONS OF SALE ST DISCLAIMS ANY EXPRESS OR IMPLIED WARRANTY WITH RESPECT TO THE USE AND/OR SALE OF ST PRODUCTS INCLUDING WITHOUT LIMITATION IMPLIED WARRANTIES OF MERCHANTABILITY, FITNESS FOR A PARTICULAR PURPOSE (AND THEIR EQUIVALENTS UNDER THE LAWS OF ANY JURISDICTION), OR INFRINGEMENT OF ANY PATENT, COPYRIGHT OR OTHER INTELLECTUAL PROPERTY RIGHT.**

**UNLESS EXPRESSLY APPROVED IN WRITING BY AN AUTHORIZED ST REPRESENTATIVE, ST PRODUCTS ARE NOT RECOMMENDED, AUTHORIZED OR WARRANTED FOR USE IN MILITARY, AIR CRAFT, SPACE, LIFE SAVING, OR LIFE SUSTAINING APPLICATIONS, NOR IN PRODUCTS OR SYSTEMS WHERE FAILURE OR MALFUNCTION MAY RESULT IN PERSONAL INJURY, DEATH, OR SEVERE PROPERTY OR ENVIRONMENTAL DAMAGE. ST PRODUCTS WHICH ARE NOT SPECIFIED AS "AUTOMOTIVE GRADE" MAY ONLY BE USED IN AUTOMOTIVE APPLICATIONS AT USER'S OWN RISK.**

Resale of ST products with provisions different from the statements and/or technical features set forth in this document shall immediately void any warranty granted by ST for the ST product or service described herein and shall not create or extend in any manner whatsoever, any liability of ST.

ST and the ST logo are trademarks or registered trademarks of ST in various countries.

Information in this document supersedes and replaces all information previously supplied.

The ST logo is a registered trademark of STMicroelectronics. All other names are the property of their respective owners.

© 2009 STMicroelectronics - All rights reserved

STMicroelectronics group of companies

Australia - Belgium - Brazil - Canada - China - Czech Republic - Finland - France - Germany - Hong Kong - India - Israel - Italy - Japan - Malaysia - Malta - Morocco - Philippines - Singapore - Spain - Sweden - Switzerland - United Kingdom - United States of America

[www.st.com](http://www.st.com)



Компания «ЭлектроПласт» предлагает заключение долгосрочных отношений при поставках импортных электронных компонентов на взаимовыгодных условиях!

Наши преимущества:

- Оперативные поставки широкого спектра электронных компонентов отечественного и импортного производства напрямую от производителей и с крупнейших мировых складов;
- Поставка более 17-ти миллионов наименований электронных компонентов;
- Поставка сложных, дефицитных, либо снятых с производства позиций;
- Оперативные сроки поставки под заказ (от 5 рабочих дней);
- Экспресс доставка в любую точку России;
- Техническая поддержка проекта, помощь в подборе аналогов, поставка прототипов;
- Система менеджмента качества сертифицирована по Международному стандарту ISO 9001;
- Лицензия ФСБ на осуществление работ с использованием сведений, составляющих государственную тайну;
- Поставка специализированных компонентов (Xilinx, Altera, Analog Devices, Intersil, Interpoint, Microsemi, Aeroflex, Peregrine, Syfer, Eurofarad, Texas Instrument, Miteq, Cobham, E2V, MA-COM, Hittite, Mini-Circuits, General Dynamics и др.);

Помимо этого, одним из направлений компании «ЭлектроПласт» является направление «Источники питания». Мы предлагаем Вам помощь Конструкторского отдела:

- Подбор оптимального решения, техническое обоснование при выборе компонента;
- Подбор аналогов;
- Консультации по применению компонента;
- Поставка образцов и прототипов;
- Техническая поддержка проекта;
- Защита от снятия компонента с производства.



#### Как с нами связаться

**Телефон:** 8 (812) 309 58 32 (многоканальный)

**Факс:** 8 (812) 320-02-42

**Электронная почта:** [org@eplast1.ru](mailto:org@eplast1.ru)

**Адрес:** 198099, г. Санкт-Петербург, ул. Калинина, дом 2, корпус 4, литера А.