

# ProtoBox-1593P Kit (PCB+Box)



*A Hammond 1593P handheld plastic enclosure with battery compartment, packaged with a matching BPS ProtoBoard 2-hole per strip PCB.*



**BusBoard Prototype Systems** - Built for designers

[www.BusBoard.com](http://www.BusBoard.com) [sales@busboard.com](mailto:sales@busboard.com)

BPS-MAR-(KIT-1593P)-001 Rev 4.00

## Hammond Battery Holders (Sold Separately by Hammond)

Hammond Part #	Battery Holder Kit	Battery Holder Kit Includes
<p><b>BH1AAW</b></p> <p>Single AA Battery</p>		<ul style="list-style-type: none"> <li>• Battery holder for one AA battery</li> <li>• Wire leads</li> <li>• Double sided tape backing</li> <li>• Battery NOT included</li> </ul>
<p><b>BH2AAW</b></p> <p>Double AA Batteries</p>		<ul style="list-style-type: none"> <li>• Battery holder for two AA batteries</li> <li>• Wire leads</li> <li>• Foam with adhesive tape on one side</li> <li>• Divider for 1599 series - NOT included</li> <li>• Battery NOT included</li> </ul>
<p><b>BH1AAAW</b></p> <p>Single AAA Battery</p>		<ul style="list-style-type: none"> <li>• Battery holder for one AAA battery</li> <li>• Wire leads</li> <li>• Double sided tape backing</li> <li>• Battery NOT included</li> </ul>
<p><b>BH2AAAW</b></p> <p>Double AAA Batteries</p>		<ul style="list-style-type: none"> <li>• Battery holder for two AAA batteries</li> <li>• Wire leads</li> <li>• Double sided tape backing</li> <li>• Batteries NOT included</li> </ul>
<p><b>BH3AAAW</b></p> <p>Triple AAA Batteries</p>		<ul style="list-style-type: none"> <li>• Battery holder for three AAA batteries</li> <li>• Wire leads</li> <li>• Double sided tape backing (two strips)</li> <li>• Batteries NOT included</li> </ul>
<p><b>BH4AAAW</b></p> <p>Quad AAA Batteries</p>		<ul style="list-style-type: none"> <li>• Battery holder for four AAA batteries</li> <li>• Wire leads</li> <li>• Foam with adhesive tape on one side</li> <li>• Divider for 1599 series - NOT included</li> <li>• Batteries NOT included</li> </ul>
<p><b>BS61</b></p> <p>Single 9 Volt Battery</p>		<ul style="list-style-type: none"> <li>• Battery holder for one 9V battery</li> <li>• Wire leads</li> <li>• Foam with adhesive tape on one side</li> <li>• Dividers for 1599 series - NOT included</li> <li>• Battery NOT included</li> </ul>

*A prototyping board designed for the Hammond 1593P handheld enclosure with battery compartment.*

## Features

*ProtoBoard* saves time! The PCB is designed specifically for the Hammond 1593P box. No cutting is required. The mounting holes are present in the right spots.

The convenient 2-hole ProtoBoard pattern provides an easy way to connect parts while maximizing usable board area.

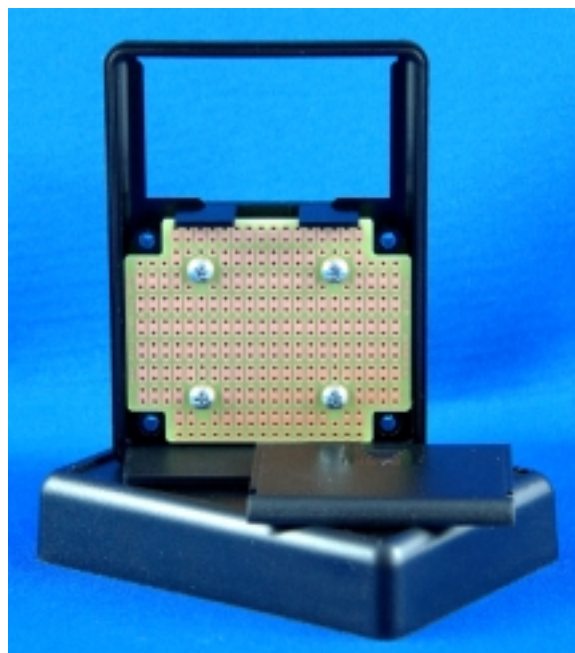
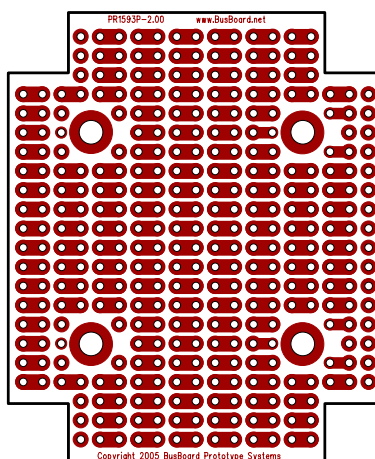
**Lead free** etched copper PCB with an anti-tarnish coating for easy soldering.

## PCB Specifications

- High-quality FR4 glass epoxy board.
- Four 0.125" (1/8") mounting holes.
- Four 4-40 PCB mounting screws provided.
- Single sided, 1oz/ft<sup>2</sup> copper PCB
- 0.042" holes drilled on 0.1" centers
- PCB Size 1.9 x 2.4 in. (49 x 60mm)

**Order Part# PR1593P (for PCB only)**

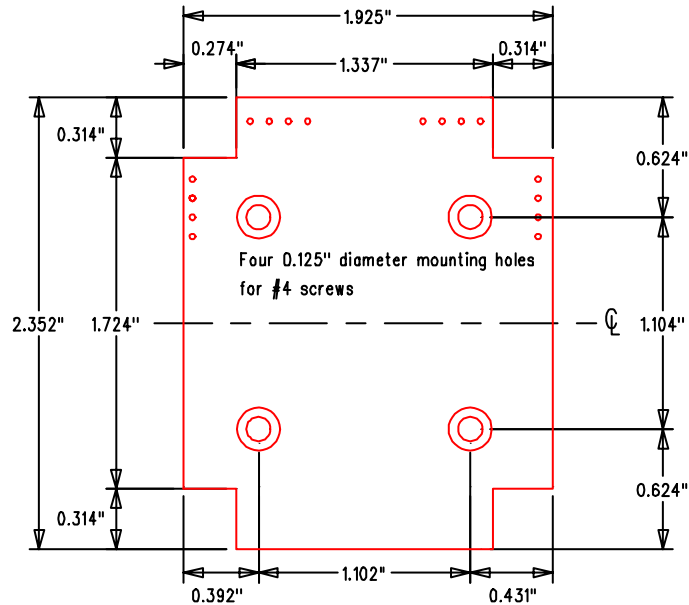
## Board Layout (actual size)



**PR1593P Prototyping Board shown with the Hammond 1593PBK box (box not included).**

**To purchase the PCB + Box together, order BPS part# KIT-1593P-BK**

## PCB Mechanical Dimensions



1. PCB is symmetrical along the centerline.
  2. All solder pads are located on a 0.100" grid.
  3. The mounting holes are NOT located on the 0.100" grid.
- PCB Design Copyright 2005 BusBoard Prototype Systems Ltd.

## Hammond 1593P Hand Held Case Features

Note: The box is **NOT** included with BPS part# PR1593P.

The box is included with part# KIT-1593P-BK.

Hand-held electronic instrument enclosure.

Built-in PCB standoffs.

1 removable end panel (included).

Battery compartment for 1xAA, 2xAA, 1 to 4 AAA, or 1x9V battery (battery connector or holder not included). Long life "three snap" battery door.

Recessed top for membrane overlay or keypad.

Lap joint construction provides protection against dust.

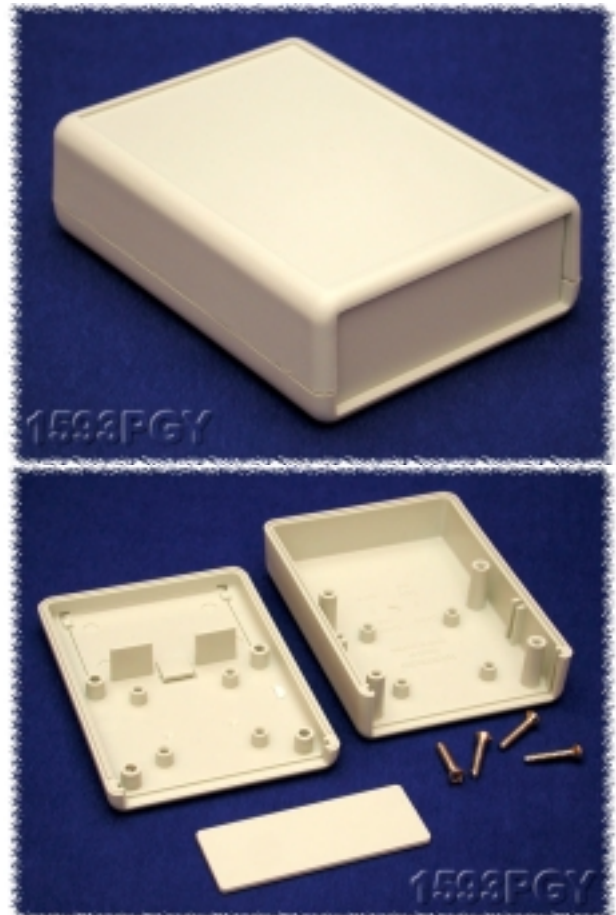
Black, gray, or blue general purpose ABS plastic.

Secured with self tapping screws (included).

Box Size 3.6 x 2.6 x 1.1 inches (92 x 66 x 28 mm)

To order the box by itself order Hammond part# 1593PBK (black), 1593PGY (gray) or 1593PTBU (translucent blue)

See <http://www.hammondmfg.com/dwg8.htm>  
<http://www.hammondmfg.com/dwg8TBU.htm>



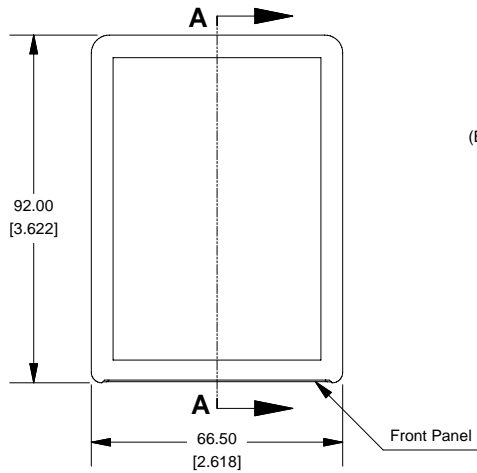
© 2013 BusBoard Prototype Systems Ltd.

**BusBoard Prototype Systems** - Built for designers

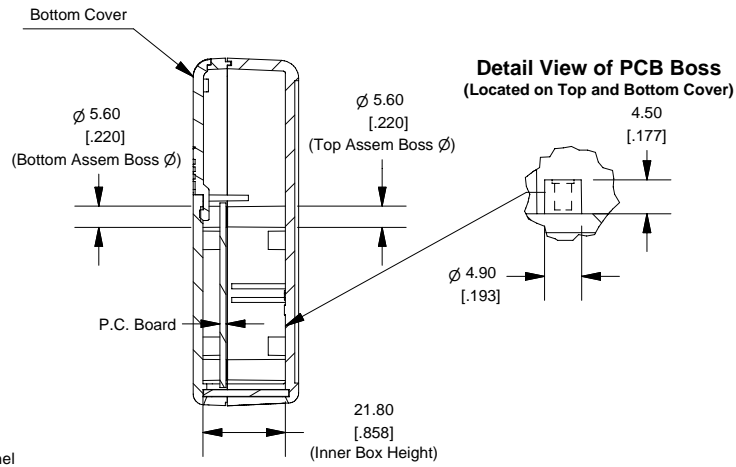
[www.BusBoard.com](http://www.BusBoard.com) sales@busboard.com

BPS-MAR-PR1593P-001 Rev 4.00

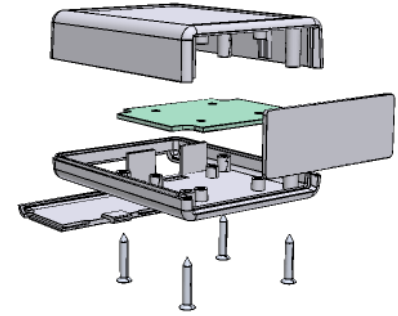
**Top View of Assembly**



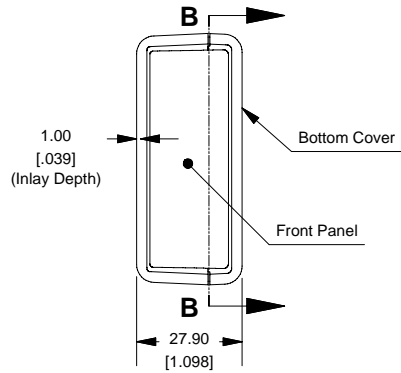
**SECTION A-A  
(Side View Inside Assembly)**



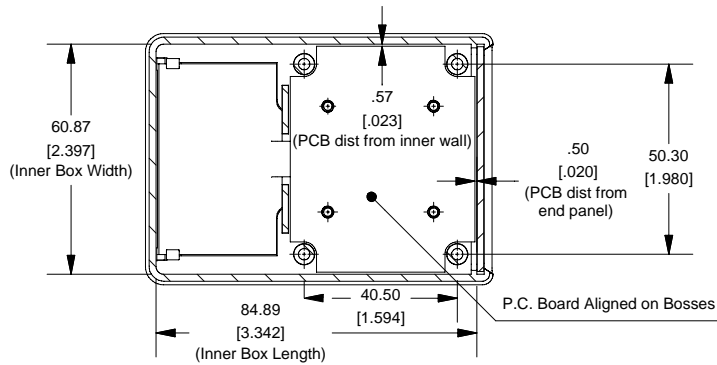
**Hand Held Instrument (1593P)**



**End View of Assembly**



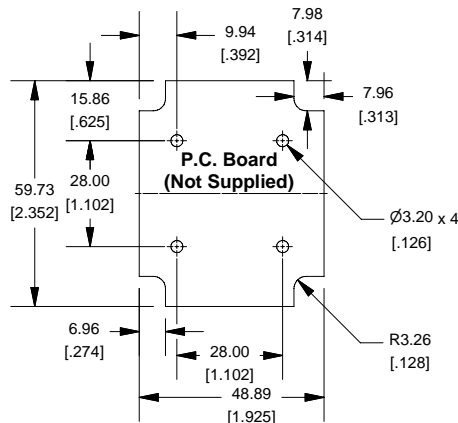
**SECTION B-B  
(Inside of Bottom Cover)**



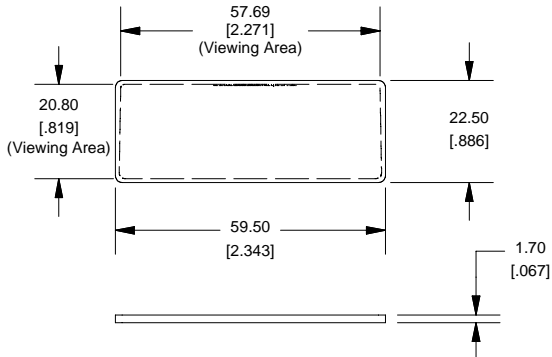
Enclosures can be Factory Modified ( Milling, Drilling, Printing etc. )  
Solid models of this enclosure available in STEP or IGES.  
Contact Factory [mjm@hammondmfg.com](mailto:mjm@hammondmfg.com)

NOTE	
Enclosure molded from GP ABS (UL94-HB) plastic.	
Purchased assembly includes top and bottom cover, front panel (plastic), battery door and 4 cover screws.	

**Maximum P.C. Board Size**



**Front/Rear Panel  
(Dashed Line Indicates Viewing Area)**



PART NUMBERS	
<b>1593P Enclosure</b>	
Black Enclosure	1593PBK
Grey Enclosure	1593PGY
<b>ACCESSORIES</b>	
Cover Screws (Pkg 100) [#4 x 3/4" self-tapping oval head (19.1mm)]	1593QS100 (Silver) 1593QS100BK (Black)
P.C. Board Screws [#4 x 1/4" self-tapping (6.4mm)]	1593ATS50 (Pkg 50) 1593ATS100 (Pkg 100)
Belt or Pocket Clip	1599CLIP (Black) 1599CLIPGY (Grey)
Infrared Panels (Pkg 10)	1593DIR10

**HAMMOND MANUFACTURING™**  
**1593P**  
www.hammondmfg.com



Компания «ЭлектроПласт» предлагает заключение долгосрочных отношений при поставках импортных электронных компонентов на взаимовыгодных условиях!

Наши преимущества:

- Оперативные поставки широкого спектра электронных компонентов отечественного и импортного производства напрямую от производителей и с крупнейших мировых складов;
- Поставка более 17-ти миллионов наименований электронных компонентов;
- Поставка сложных, дефицитных, либо снятых с производства позиций;
- Оперативные сроки поставки под заказ (от 5 рабочих дней);
- Экспресс доставка в любую точку России;
- Техническая поддержка проекта, помощь в подборе аналогов, поставка прототипов;
- Система менеджмента качества сертифицирована по Международному стандарту ISO 9001;
- Лицензия ФСБ на осуществление работ с использованием сведений, составляющих государственную тайну;
- Поставка специализированных компонентов (Xilinx, Altera, Analog Devices, Intersil, Interpoint, Microsemi, Aeroflex, Peregrine, Syfer, Eurofarad, Texas Instrument, Miteq, Cobham, E2V, MA-COM, Hittite, Mini-Circuits, General Dynamics и др.);

Помимо этого, одним из направлений компании «ЭлектроПласт» является направление «Источники питания». Мы предлагаем Вам помощь Конструкторского отдела:

- Подбор оптимального решения, техническое обоснование при выборе компонента;
- Подбор аналогов;
- Консультации по применению компонента;
- Поставка образцов и прототипов;
- Техническая поддержка проекта;
- Защита от снятия компонента с производства.



#### Как с нами связаться

**Телефон:** 8 (812) 309 58 32 (многоканальный)

**Факс:** 8 (812) 320-02-42

**Электронная почта:** [org@eplast1.ru](mailto:org@eplast1.ru)

**Адрес:** 198099, г. Санкт-Петербург, ул. Калинина, дом 2, корпус 4, литера А.