

# High Frequency Ceramic Solutions

Atmel AT86RF215 868/915/928 MHz Impedance Matched Balun + LPF  
(FCC/ETSI compliant) integrated Passive Component

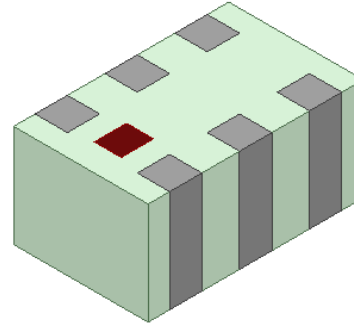
P/N: 0896BM15E0025

Detail Specification: 4/23/2018

Page 1 of 5

For the 2.4G Balun-filter, go to: [www.johansontechnology.com/atmel](http://www.johansontechnology.com/atmel)

General Specifications	
Part Number	0896BM15E0025
Frequency (MHz)	863-928
Unbalanced Impedance	50
Balanced Impedance	Conjugate match to Atmel's AT86RF215, AT86RF215M, AT86RF215IQ chipsets
Power Capacity	1W max. CW
Recommended Storage Conditions for unused T&R product	+5 to +35 °C Humidity 45 - 75%RH 18 months max
Quantity/Reel	4,000 pcs



Electrical Specifications		
Operating Temperature	-40°C to +85°C	+85°C to +125°C
Insertion Loss	1.25dB Typ. (1.6dB max.)	1.5dB Typ. (1.8dB max.)
Return Loss	9.5dB min.	9.5dB min.
Phase Balance	180±10	180±10
Amplitude Difference	2.0 max.	2.0 max.
Attenuation	40Typ. 30 min. @ 1726~1856 MHz 45Typ. 34 min. @ 2589~2784 MHz 45Typ. 42 min. @ 3452~3712 MHz 45Typ. 34 min. @ 4315~4640 MHz 54Typ. 31 min. @ 5178~5568 MHz	40Typ. 30 min. @ 1726~1856 MHz 45Typ. 34 min. @ 2589~2784 MHz 45Typ. 42 min. @ 3452~3712 MHz 45Typ. 34 min. @ 4315~4640 MHz 54Typ. 31 min. @ 5178~5568 MHz

Part Number Explanation				
P/N Suffix	Packing Style	Bulk	Suffix = S	eg. 0896BM15E0025S
		T & R	Suffix = E	eg. 0896BM15E0025E
		100% Tin	Suffix = None	eg. 0896BM15E0025(E or S)

Mechanical Dimensions		
	In	mm
L	0.079 ± 0.004	2.00 ± 0.10
W	0.049 ± 0.004	1.25 ± 0.10
T	0.037 ± 0.004	0.95 ± 0.10
a	0.012 ± 0.004	0.30 ± 0.10
b	0.008 ± 0.004	0.20 ± 0.10
c	0.012 +.004/-.008	0.30 +0.1/-0.2
g	0.014 ± 0.004	0.35 ± 0.10
p	0.026 ± 0.002	0.65 ± 0.05

Terminal Configuration			
No.	Function	No.	Function
1	Unbalanced Port	4	Balanced Port
2	GND	5	GND
3	Balanced Port	6	GND

Johanson Technology, Inc. reserves the right to make design changes without notice.  
All sales are subject to Johanson Technology, Inc. terms and conditions.



[www.johansontechnology.com](http://www.johansontechnology.com)

4001 Calle Tecate • Camarillo, CA 93012 • TEL 805.389.1166 FAX 805.389.1821

Ver. 2.0

2018 Johanson Technology, Inc. All Rights Reserved

# High Frequency Ceramic Solutions

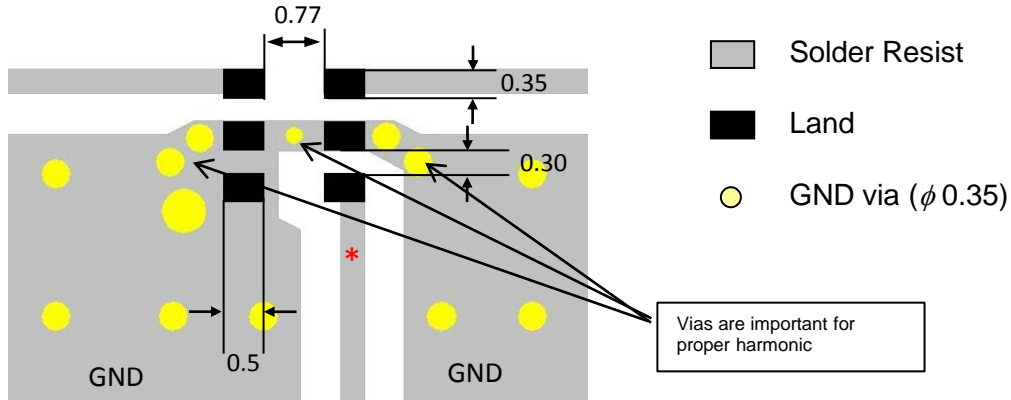
Atmel AT86RF215 868/915/928 MHz Impedance Matched Balun + LPF  
(FCC/ETSI compliant) integrated Passive Component

P/N: 0896BM15E0025

Detail Specification: 4/23/2018

Page 2 of 5

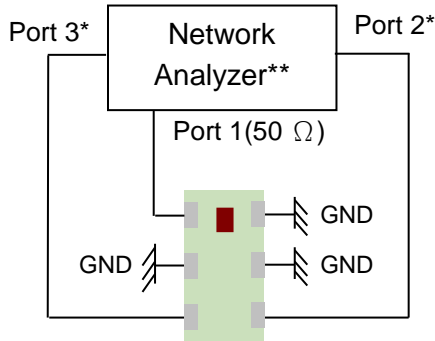
## Pad-Soldermask Guidelines



\* Line width should be designed to match 50ohm characteristic impedance, depending on PCB material and thickness. Grounded CPWG is recommended.

Schematic and layout file download: [www.johansontechnology.com/atmel](http://www.johansontechnology.com/atmel)

## Measurement Diagram



Port 1: Unbalanced Port  
Ports 2 and 3: Balanced Port  
IL=Sds21  
RL=Sss11  
Amp\_diff =  $\text{dB}(S(2,1)/S(3,1))$   
Phase\_diff =  $\text{Phase}(S(2,1)/S(3,1))$

\*Impedance for ports 2 and 3 = Balanced Impedance/2  
\*\*E5071B from Agilent

Johanson Technology, Inc. reserves the right to make design changes without notice.  
All sales are subject to Johanson Technology, Inc. terms and conditions.



[www.johansontechnology.com](http://www.johansontechnology.com)

4001 Calle Tecate • Camarillo, CA 93012 • TEL 805.389.1166 FAX 805.389.1821

Ver. 2.0

2018 Johanson Technology, Inc. All Rights Reserved

# High Frequency Ceramic Solutions

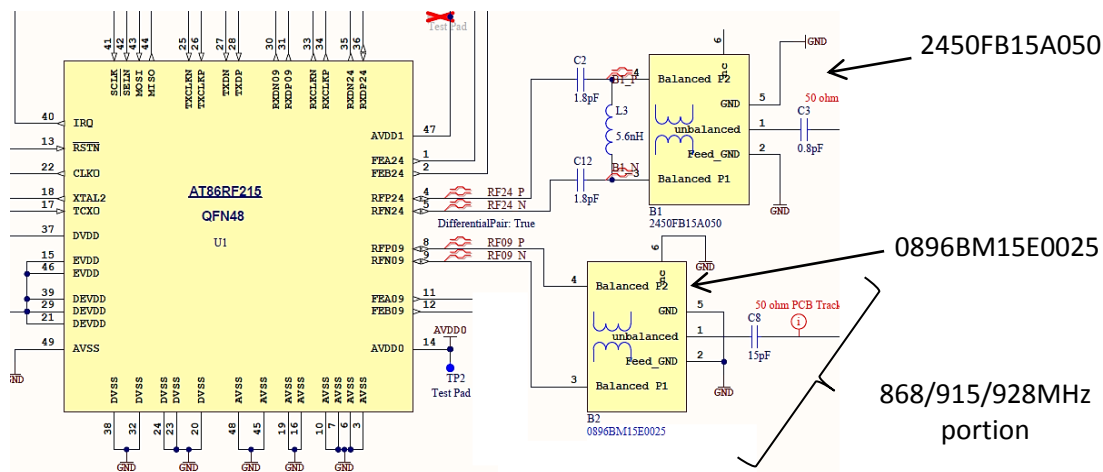
Atmel AT86RF215 868/915/928 MHz Impedance Matched Balun + LPF  
(FCC/ETSI compliant) integrated Passive Component

P/N: 0896BM15E0025

Detail Specification: 4/23/2018

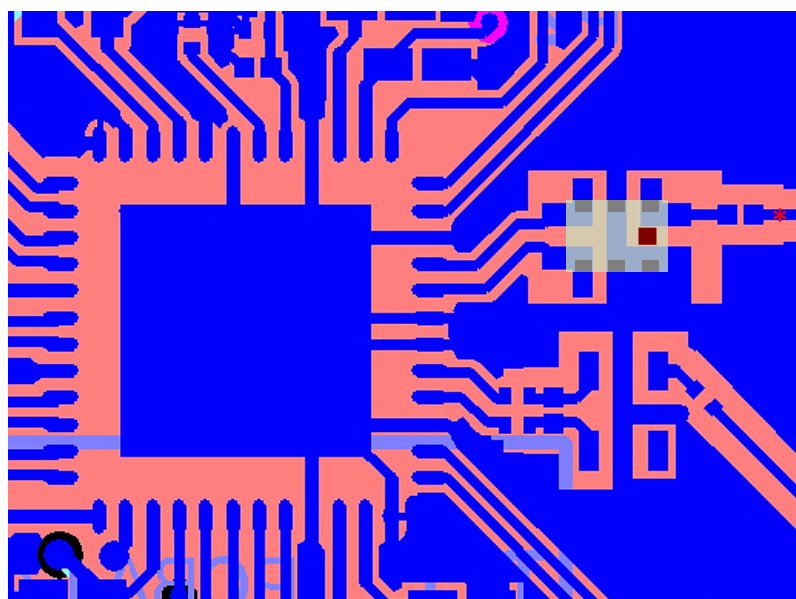
Page 3 of 5

## Schematic



Schematic and layout file download: [www.johansontechnology.com/atmel](http://www.johansontechnology.com/atmel)

## Layout Mounting Considerations



\* Line width should be designed to match 50ohm characteristic impedance, depending on PCB material and thickness. Grounded CPW is recommended.

868/915/928MHz portion

2.4GHz portion

Download the complete layout file at at: [www.johansontechnology.com/atmel](http://www.johansontechnology.com/atmel)

Johanson Technology, Inc. reserves the right to make design changes without notice.  
All sales are subject to Johanson Technology, Inc. terms and conditions.



[www.johansontechnology.com](http://www.johansontechnology.com)

4001 Calle Tecate • Camarillo, CA 93012 • TEL 805.389.1166 FAX 805.389.1821

Ver. 2.0

2018 Johanson Technology, Inc. All Rights Reserved

# High Frequency Ceramic Solutions

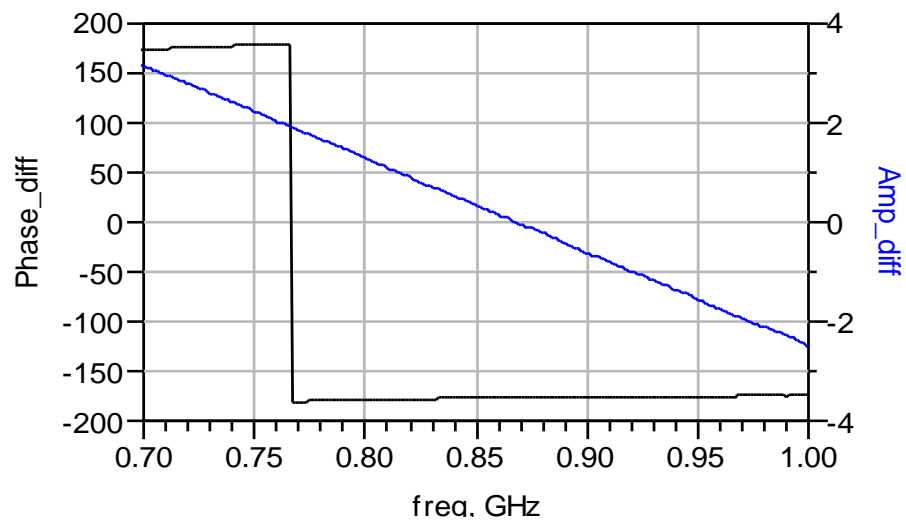
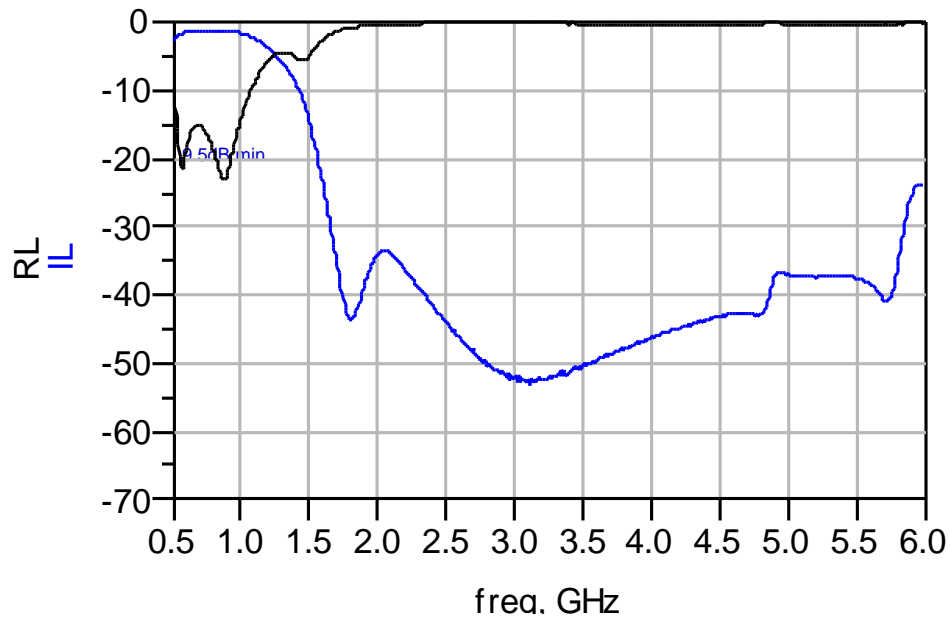
Atmel AT86RF215 868/915/928 MHz Impedance Matched Balun + LPF  
(FCC/ETSI compliant) integrated Passive Component

P/N: 0896BM15E0025

Detail Specification: 4/23/2018

Page 4 of 5

## Typical Electrical Characteristics (T=25°C)



Johanson Technology, Inc. reserves the right to make design changes without notice.  
All sales are subject to Johanson Technology, Inc. terms and conditions.



[www.johansontechnology.com](http://www.johansontechnology.com)

4001 Calle Tecate • Camarillo, CA 93012 • TEL 805.389.1166 FAX 805.389.1821

Ver. 2.0

2018 Johanson Technology, Inc. All Rights Reserved

# "High Frequency Ceramic Solutions"

Atmel AT86RF215 868/915/928 MHz Impedance Matched Balun + LPF  
(FCC/ETSI compliant) integrated Passive Component

P/N: 0896BM15E0025

Detail Specification: 4/23/2018

Page 5 of 5

## Application Notes, Layout Files, and more

[www.johansontechnology.com/atmel](http://www.johansontechnology.com/atmel)

## RoHS Compliance

[www.johansontechnology.com/rohs-compliance](http://www.johansontechnology.com/rohs-compliance)

## Soldering Information

[www.johansontechnology.com/ipcsoldering-profile](http://www.johansontechnology.com/ipcsoldering-profile)

## Antenna layout and tuning techniques

[www.johansontechnology.com/tuning](http://www.johansontechnology.com/tuning)

## Antenna layout review, tuning, and characterization services

[www.johansontechnology.com/ipc-antenna-services](http://www.johansontechnology.com/ipc-antenna-services)

## MSL Info

[www.johansontechnology.com/msl-rating](http://www.johansontechnology.com/msl-rating)

## Recommended Storage Condition and Max Shelf Life

[www.johansontechnology.com/recommended-storage-conditions](http://www.johansontechnology.com/recommended-storage-conditions)

## Packaging information

[www.johansontechnology.com/tape-reel-packaging](http://www.johansontechnology.com/tape-reel-packaging)

Would you like us to review your layout for free and, if needed, recommend you an small antenna solution for your application?

Contact us at:

[www.johansontechnology.com/ask-a-question](http://www.johansontechnology.com/ask-a-question)

Johanson Technology, Inc. reserves the right to make design changes without notice.

All sales are subject to Johanson Technology, Inc. terms and conditions.



[www.johansontechnology.com](http://www.johansontechnology.com)  
4001 Calle Tecate • Camarillo, CA 93012 • TEL 805.389.1166 FAX 805.389.1821

Ver. 2.0

2018 Johanson Technology, Inc. All Rights Reserved



Компания «ЭлектроПласт» предлагает заключение долгосрочных отношений при поставках импортных электронных компонентов на взаимовыгодных условиях!

Наши преимущества:

- Оперативные поставки широкого спектра электронных компонентов отечественного и импортного производства напрямую от производителей и с крупнейших мировых складов;
- Поставка более 17-ти миллионов наименований электронных компонентов;
- Поставка сложных, дефицитных, либо снятых с производства позиций;
- Оперативные сроки поставки под заказ (от 5 рабочих дней);
- Экспресс доставка в любую точку России;
- Техническая поддержка проекта, помощь в подборе аналогов, поставка прототипов;
- Система менеджмента качества сертифицирована по Международному стандарту ISO 9001;
- Лицензия ФСБ на осуществление работ с использованием сведений, составляющих государственную тайну;
- Поставка специализированных компонентов (Xilinx, Altera, Analog Devices, Intersil, Interpoint, Microsemi, Aeroflex, Peregrine, Syfer, Eurofarad, Texas Instrument, Miteq, Cobham, E2V, MA-COM, Hittite, Mini-Circuits, General Dynamics и др.);

Помимо этого, одним из направлений компании «ЭлектроПласт» является направление «Источники питания». Мы предлагаем Вам помощь Конструкторского отдела:

- Подбор оптимального решения, техническое обоснование при выборе компонента;
- Подбор аналогов;
- Консультации по применению компонента;
- Поставка образцов и прототипов;
- Техническая поддержка проекта;
- Защита от снятия компонента с производства.



#### Как с нами связаться

**Телефон:** 8 (812) 309 58 32 (многоканальный)

**Факс:** 8 (812) 320-02-42

**Электронная почта:** [org@eplast1.ru](mailto:org@eplast1.ru)

**Адрес:** 198099, г. Санкт-Петербург, ул. Калинина, дом 2, корпус 4, литера А.