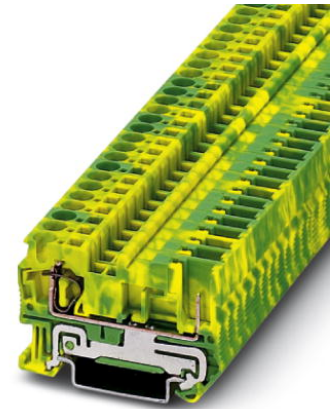



ST 4/ 1P-PE

Order No.: 3042722

<http://eshop.phoenixcontact.de/phoenix/treeViewClick.do?UID=3042722>

Spring-cage modular terminal block, Type of connection: Spring-cage connection, Cross section: 0.08 mm² - 6 mm², AWG 28 - 10, Width: 6.2 mm, Color: green-yellow, Mounting type: NS 35/7.5, NS 35/15

Commercial data

GTIN (EAN)	
sales group	A673
Pack	50 pcs.
Customs tariff	85369010
Catalog page information	Page 248 (CL-2009)

Product notes

WEEE/RoHS-compliant since:
01/01/2003



<http://www.download.phoenixcontact.com>
Please note that the data given here has been taken from the online catalog. For comprehensive information and data, please refer to the user documentation. The General Terms and Conditions of Use apply to Internet downloads.

Technical data**General**

Number of levels	1
Number of connections	2
Color	green-yellow
Insulating material	PA

Inflammability class acc. to UL 94	V0
Dimensions	
Width	6.2 mm
Length	55.8 mm
Height NS 35/7.5	36.5 mm
Height NS 35/15	44 mm
Technical data	
Rated surge voltage	6 kV
Pollution degree	3
Surge voltage category	III
Insulating material group	I
Connection in acc. with standard	IEC 61984
Connection data	
Conductor cross section solid min.	0.08 mm ²
Conductor cross section solid max.	6 mm ²
Conductor cross section stranded min.	0.08 mm ²
Conductor cross section stranded max.	4 mm ²
Conductor cross section AWG/kcmil min.	28
Conductor cross section AWG/kcmil max	10
Conductor cross section stranded, with ferrule without plastic sleeve min.	0.14 mm ²
Conductor cross section stranded, with ferrule without plastic sleeve max.	4 mm ²
Conductor cross section stranded, with ferrule with plastic sleeve min.	0.14 mm ²
Conductor cross section stranded, with ferrule with plastic sleeve max.	4 mm ²
2 conductors with same cross section, stranded, TWIN ferrules with plastic sleeve, min.	0.5 mm ²
2 conductors with same cross section, stranded, TWIN ferrules with plastic sleeve, max.	1 mm ²
Type of connection	Spring-cage connection
Stripping length	10 mm
Internal cylindrical gage	A3

Certificates / Approvals

Certification

CB, CSA, CUL, GOST, UL, VDE-PZI

Accessories

Item	Designation	Description
Assembly		
3030721	ATP-ST 4	Partition plate, Length: 61 mm, Width: 2 mm, Height: 42 mm, Color: gray
3030420	D-ST 4	End cover, Length: 56 mm, Width: 2.2 mm, Height: 36.5 mm, Color: gray
Bridges		
3030336	FBS 2-6	Plug-in bridge, Number of positions: 2, Color: red
3030242	FBS 3-6	Plug-in bridge, Number of positions: 3, Color: red
3030255	FBS 4-6	Plug-in bridge, Number of positions: 4, Color: red
3030349	FBS 5-6	Plug-in bridge, Number of positions: 5, Color: red
3030271	FBS 10-6	Plug-in bridge, Number of positions: 10, Color: red
3030365	FBS 20-6	Plug-in bridge, Number of positions: 20, Color: red
3032224	FBS 50-6	Plug-in bridge, Number of positions: 50, Color: red
Marking		
1051993	B-STIFT	Marker pen, for manual labeling of unprinted Zack strips, smear-proof and waterproof, line thickness 0.5 mm
3040588	PC	Keying star, Length: 3 mm, Width: 3 mm, Height: 6 mm, Color: red
0811228	X-PEN 0,35	Marker pen without ink cartridge, for manual labeling of markers, labeling extremely wipe-proof, line thickness 0.35 mm
1051016	ZB 6,LGS:FORTL.ZAHLEN	Zack marker strip, 10-section, printed horizontally: with the numbers 1 - 10, 11 - 20 and so on up to 491 - 500, color: white
5060935	ZB 6/WH-100:UNBEDRUCKT	Zack strip, unprinted: For individual labeling with M-PEN, ZB-T or CMS system, large batch, sufficient for labeling 1000 terminal blocks, for a terminal width of 6.2 mm, color: White
1050499	ZB 6:SO/CMS	Zack strip, 10-section, divisible, special printing, marking according to customer requirements

0808749	ZBF 6,LGS:FORTL.ZAHLEN	Zack marker strip, flat, printed horizontally: 10-section, with the numbers 1 - 10, 11 - 20, and so on up to 91 - 100, color: white
0808736	ZBF 6/WH-100:UNBEDRUCKT	Zack strip, flat, unprinted: 10-section, for individual labeling with M-PEN or ZBF-T, large batch, sufficient for labeling 1000 terminal blocks, color: white
0808778	ZBF 6:SO/CMS	Zack strip, flat, 10-section, divisible, special printing, marking according to customer requirements

Plug/Adapter

3002885	ISH 4/0,5	Insulating sleeve, Color: gray
3002898	ISH 4/1,0	Insulating sleeve, Color: black
0201731	MPS-IH BK	Insulating sleeve, Color: black
0201689	MPS-IH BU	Insulating sleeve, Color: blue
0201702	MPS-IH GN	Insulating sleeve, Color: green
0201676	MPS-IH RD	Insulating sleeve, Color: red
0201744	MPS-MT	Test plugs
3030925	PAI-4	Test adapter, Color: gray
3030996	PS-6	Test adapter, Color: red

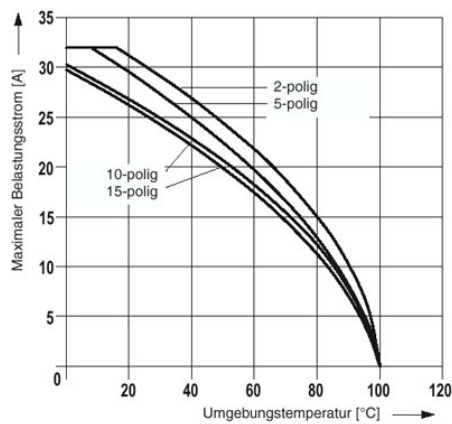
Additional products

Item	Designation	Description
Plug/Adapter		
3042751	SP 4/ 1-L	Connectors, Type of connection: Spring-cage connection, Number of positions: 1, Cross section: 0.08 mm ² - 6 mm ² , AWG 28 - 10, Width: 6.2 mm, Height: 41.5 mm, Color: gray
3042764	SP 4/ 1-L BU	Connectors, Type of connection: Spring-cage connection, Number of positions: 1, Cross section: 0.08 mm ² - 6 mm ² , AWG 28 - 10, Width: 6.2 mm, Height: 41.5 mm, Color: blue
3042777	SP 4/ 1-L GNYE	Connectors, Type of connection: Spring-cage connection, Number of positions: 1, Cross section: 0.08 mm ² - 6 mm ² , AWG 28 - 10, Width: 6.2 mm, Height: 41.5 mm, Color: green-yellow
3042780	SP 4/ 1-M	Connectors, Type of connection: Spring-cage connection, Number of positions: 1, Cross section: 0.08 mm ² - 6 mm ² , AWG 28 - 10, Width: 6.2 mm, Height: 41.5 mm, Color: gray
3042793	SP 4/ 1-M BU	Connectors, Type of connection: Spring-cage connection, Number of positions: 1, Cross section: 0.08 mm ² - 6 mm ² , AWG 28 - 10, Width: 6.2 mm, Height: 41.5 mm, Color: blue
3042803	SP 4/ 1-M GNYE	Connectors, Type of connection: Spring-cage connection, Number of positions: 1, Cross section: 0.08 mm ² - 6 mm ² , AWG 28 - 10, Width: 6.2 mm, Height: 41.5 mm, Color: green-yellow

3042816	SP 4/ 1-R	Connectors, Type of connection: Spring-cage connection, Number of positions: 1, Cross section: 0.08 mm ² - 6 mm ² , AWG 28 - 10, Width: 6.2 mm, Height: 41.5 mm, Color: gray
3042829	SP 4/ 1-R BU	Connectors, Type of connection: Spring-cage connection, Number of positions: 1, Cross section: 0.08 mm ² - 6 mm ² , AWG 28 - 10, Width: 6.2 mm, Height: 41.5 mm, Color: blue
3042832	SP 4/ 1-R GNYE	Connectors, Type of connection: Spring-cage connection, Number of positions: 1, Cross section: 0.08 mm ² - 6 mm ² , AWG 28 - 10, Width: 6.2 mm, Height: 41.5 mm, Color: green-yellow

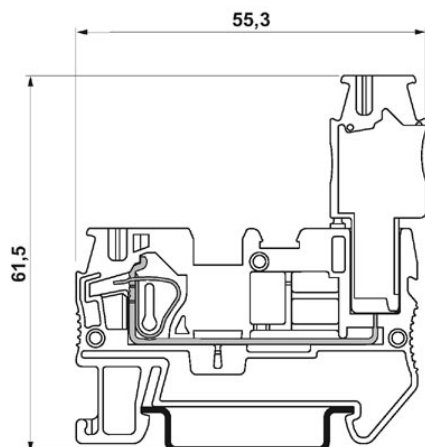
Diagrams/Drawings

Diagram



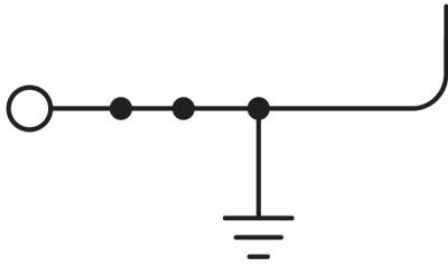
Derating curve for spring-cage terminals ST 4/1P.. and ST 4/2P.. with all plug versions SP 4/... . The derating curves are determined by multiplying the values of the base curves by the factor 0.8.

Dimensioned drawing



The illustration shows the terminal with the plug version SP 4/...

Circuit diagram



ST 4/ 1P-PE Order No.: 3042722

<http://eshop.phoenixcontact.de/phoenix/treeViewClick.do?UID=3042722>

Address

PHOENIX CONTACT Deutschland GmbH
Flachmarktstr. 8
32825 Blomberg, Germany
Phone +49 5235 3 12000
Fax +49 5235 3 41200
<http://www.phoenixcontact.de>



© 2011 Phoenix Contact
Technical modifications reserved;



Компания «ЭлектроПласт» предлагает заключение долгосрочных отношений при поставках импортных электронных компонентов на взаимовыгодных условиях!

Наши преимущества:

- Оперативные поставки широкого спектра электронных компонентов отечественного и импортного производства напрямую от производителей и с крупнейших мировых складов;
- Поставка более 17-ти миллионов наименований электронных компонентов;
- Поставка сложных, дефицитных, либо снятых с производства позиций;
- Оперативные сроки поставки под заказ (от 5 рабочих дней);
- Экспресс доставка в любую точку России;
- Техническая поддержка проекта, помощь в подборе аналогов, поставка прототипов;
- Система менеджмента качества сертифицирована по Международному стандарту ISO 9001;
- Лицензия ФСБ на осуществление работ с использованием сведений, составляющих государственную тайну;
- Поставка специализированных компонентов (Xilinx, Altera, Analog Devices, Intersil, Interpoint, Microsemi, Aeroflex, Peregrine, Syfer, Eurofarad, Texas Instrument, Miteq, Cobham, E2V, MA-COM, Hittite, Mini-Circuits, General Dynamics и др.);

Помимо этого, одним из направлений компании «ЭлектроПласт» является направление «Источники питания». Мы предлагаем Вам помощь Конструкторского отдела:

- Подбор оптимального решения, техническое обоснование при выборе компонента;
- Подбор аналогов;
- Консультации по применению компонента;
- Поставка образцов и прототипов;
- Техническая поддержка проекта;
- Защита от снятия компонента с производства.



Как с нами связаться

Телефон: 8 (812) 309 58 32 (многоканальный)

Факс: 8 (812) 320-02-42

Электронная почта: org@eplast1.ru

Адрес: 198099, г. Санкт-Петербург, ул. Калинина, дом 2, корпус 4, литера А.