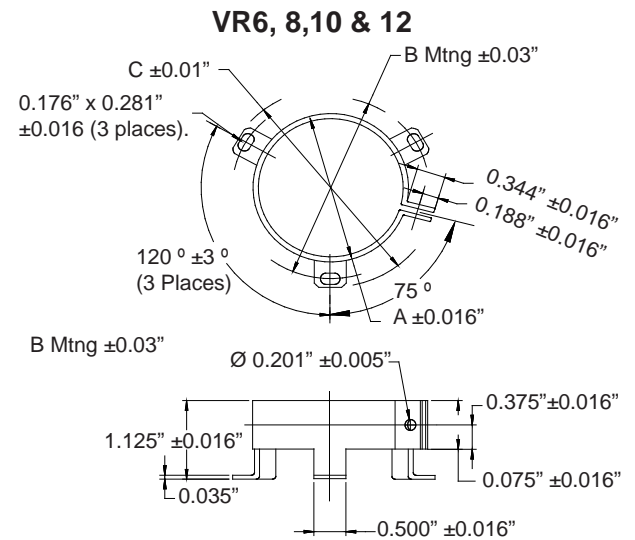


## Type VR Vertical Mounting Clamp



| Diameter of Part to be Mounted | Catalog Part Number |                                  |                            | Dimensions                     |          |          |
|--------------------------------|---------------------|----------------------------------|----------------------------|--------------------------------|----------|----------|
|                                | Without Screw & Nut | Unassembled Screw & Nut Included | Assembled with Screw & Nut | A                              | B        | C        |
| 1" to 1-1/16                   | VR1B                | VR1                              | VR1A                       | 1"                             | 1-7/16"  | 1-7/8"   |
| 1-3/8" to 1-7/16               | VR3B                | VR3                              | VR3A                       | 1-3/8"                         | 1-25/32" | 2-7/32"  |
| 1-1/2" to 1-9/16               | VR4B                | VR4                              | VR4A                       | 1-1/2"                         | 1-15/16" | 2-11/32" |
| 1-3/4" to 1-13/16              | VR6B                | VR6                              | VR6A                       | 1-3/4"                         | 2-1/4"   | 2-9/16"  |
| 2" to 2-1/16                   | VR8B                | VR8                              | VR8A                       | 2"                             | 2-1/2"   | 2-13/16" |
| 2-1/2" to 2-9/16               | VR10B               | VR10                             | VR10A                      | 2-1/2"                         | 3"       | 3-5/16"  |
| 3" to 3-1/8                    | VR12B               | VR12                             | VR12A                      | 3"                             | 3-7/16"  | 3-13/16" |
| Screw                          | VRSCREW             | —                                | —                          | 9/16" long 6-32 thread NC-2A   |          |          |
| Nut                            | VRNUT               | —                                | —                          | Standard hex nut to fit screws |          |          |

CDE VR mounting clamps may be used to mount any cylindrical capacitor with a 1" to 3" diameter that is to be mounted in a vertical position. Material is 1010 CRS, commercial grade #4 temper ASI scale. Parts are finished with .0001 (nominal) zinc chromate plating. Use for mounting CG types, PSU, SF and MPF types. Material thickness is .035"



## Type TH Horizontal Mounting Clip



| Catalog Part Number | Dimensions in Inches               |      |      |
|---------------------|------------------------------------|------|------|
|                     | Nominal Dia. of Part to be Mounted | A    | B    |
| TH13                | .375                               | .250 | .47  |
| TH17                | .625                               | .312 | .72  |
| TH21                | .875                               | .312 | 1.00 |
| TH23                | 1.000                              | .312 | 1.06 |
| TH25                | 1.375                              | .312 | 1.50 |

These clips, though designed for capacitors, have varied applications to retain many cylindrical components. They are used extensively in the electrical and electronic industries to hold spindles, condensers, capacitors, tubes, rods and conduit. Clips have phosphate and oil finish.

Material thickness TH13 thru TH17 is .016". TH21 thru TH25 is .020"

### ACR15KT Motor Start Resistor Kit



15K Ohm 2 watt bleeder resistors for AC motor start applications. Saves relay switch contacts and capacitor, particularly in capacitor start applications. 1/4" quick connect terminals eliminate need for soldering.

ACR15K:

Pack of 10, 15K Ohm 2 watt bleeder resistor without quick connect terminals.

### ACR220KT Motor Run Resistor Kit



220K Ohm 1 watt bleeder resistors for AC motor run applications. Saves relay switch contacts and capacitor, particularly in capacitor run applications. 1/4" quick connect terminals eliminate need for soldering.

ACR220K:

Pack of 10, 220K Ohm 1 watt bleeder resistor without quick connect terminals.

# Capacitor Hardware

## Oval Capacitor Hardware

### Mounting Brackets #32107

| Case Code | Bracket |
|-----------|---------|
| A         | 32107-1 |
| C         | 32107-2 |
| D         | 32107-3 |



6-32 Screw and Nut



### Insulating Terminal Boots UL Approved Material

44603

32108-2



## Round Capacitor Hardware

### 3 Footed Round Mounting Bracket

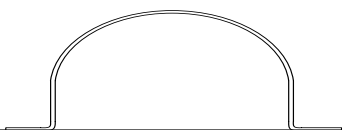
| Case Code | Bracket |
|-----------|---------|
| P         | VR6B    |
| S         | VR8B    |
| T         | VR10B   |

### 2 Footed Round Mounting Bracket

| Case Code | Bracket |
|-----------|---------|
| P         | 32107-6 |
| S         | 32107-7 |
| T         | 32107-8 |



Wrap Around Bracket



| Case Code | Bracket |
|-----------|---------|
| P         | RB175   |
| S         | RB200   |
| T         | RB250   |

### End Mount Footed Bracket (2 required) #30434



### Side Mount Footed Bracket (2 required) #31762



| H (Inches) | End Mount | Side Mount |
|------------|-----------|------------|
| 2.13       | 30434-33  | 31762-45   |
| 2.38       | 30434-37  | 31762-46   |
| 2.63       | 30434-41  | 31762-47   |
| 2.88       | 30434-45  | 31762-48   |
| 3.13       | 30434-49  | 31762-49   |
| 3.50       | 30434-55  | 31762-50   |
| 3.75       | 30434-59  | 31762-83   |
| 3.88       | 30434-61  | 31762-51   |
| 4.25       | 30434-67  | 31762-52   |
| 4.75       | 30434-75  | 31762-54   |
| 5.13       | 30434-81  | 31762-132  |
| 5.25       | 30434-83  | 31762-55   |
| 5.75       | 30434-91  | 31762-56   |
| 6.25       | 30434-99  | 31762-59   |
| 6.75       | 30434-107 | 31762-60   |
| 7.25       | 30434-115 | 31762-62   |
| 8.00       | 30434-127 | 31762-63   |
| 9.00       | 30434-143 | 31762-78   |

### Wrap Around Bracket

| Case Code | Bracket |
|-----------|---------|
| A         | 30393-5 |
| C         | 30393-9 |
| D         | OB3     |



## Motor Start Mounting Hardware

### Bracket



### End Cap



| Case Code | Case Dimensions (Inches) |       | Down Wire Cap | Up Wire Cap | Optional Mounting Bracket |
|-----------|--------------------------|-------|---------------|-------------|---------------------------|
|           | D                        | L     |               |             |                           |
| 1         | 1.438                    | 2.750 | PL3           | PLA3        | HB2                       |
| 2         | 1.438                    | 3.375 | PL3           | PLA3        | HB4                       |
| 3         | 1.438                    | 4.375 | PL3           | PLA3        | HB8                       |
| 4         | 1.813                    | 3.375 | PL6           | PLA6        | HB4                       |
| 5         | 1.813                    | 4.375 | PL6           | PLA6        | HB8                       |
| 6         | 2.063                    | 3.375 | PL8           | PLA8        | HB4                       |
| 7         | 2.063                    | 4.375 | PL8           | PLA8        | HB8                       |
| 8         | 2.563                    | 4.375 | PL10          | PLA10       | HB8                       |

Order both endcap and bracket for mounting

## Screw-Terminal, Computer-Grade Capacitor, Mounting Hardware

Figure 1



Figure 2



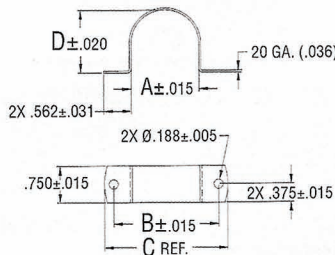
Figure 3



Figure 4



## Clamp Dimensions



| Clamp Number | Dimensions in Inches |       |       |       |
|--------------|----------------------|-------|-------|-------|
|              | A                    | B     | C     | D     |
| 125562-01    | 1.375                | 2.125 | 2.500 | 1.281 |
| 125562-05    | 1.750                | 2.500 | 2.875 | 1.656 |
| 125562-02    | 2.000                | 2.750 | 3.125 | 1.906 |
| 125562-04    | 2.500                | 3.250 | 3.625 | 2.406 |
| 125562-03    | 3.000                | 3.750 | 4.125 | 2.906 |
| 125562-06    | 3.500                | 4.250 | 4.625 | 3.481 |

## Bracket Dimensions

| Figure | Bracket Number | Dimensions in Inches |       |      |       |       |      | Dimensions in Millimeters |        |     |        |       |       |
|--------|----------------|----------------------|-------|------|-------|-------|------|---------------------------|--------|-----|--------|-------|-------|
|        |                | A                    | B     | C    | D     | E     | F    | A                         | B      | C   | D      | E     | F     |
| 1      | 125565-06*     | 1.375                | 1.813 | 30 ° | 2.313 | .750  | .563 | 34.93                     | 46.04  | 30° | 58.74  | 19.05 | 14.30 |
| 1      | 125565-15*     | 1.750                | 2.188 | 30 ° | 2.625 | .750  | .560 | 44.45                     | 55.56  | 30° | 66.68  | 19.05 | 14.22 |
| 2      | 125565-09*     | 2.000                | 1.250 | 75 ° | 1.438 | 1.125 | .750 | 50.80                     | 31.75  | 75° | 36.51  | 28.58 | 19.05 |
| 3      | 125565-05      | 2.000                | 2.563 | 30 ° | 2.938 | 1.125 | .750 | 50.80                     | 65.09  | 30° | 76.41  | 28.58 | 19.05 |
| 2      | 125565-14*     | 2.500                | 1.500 | 75 ° | 1.688 | 1.125 | .750 | 63.50                     | 38.10  | 75° | 42.86  | 28.58 | 19.05 |
| 3      | 125565-10      | 2.500                | 3.000 | 30 ° | 3.438 | 1.125 | .750 | 63.50                     | 76.20  | 30° | 87.31  | 28.58 | 19.05 |
| 2      | 125565-11*     | 3.000                | 1.750 | 75 ° | 1.938 | 1.125 | .750 | 76.20                     | 44.45  | 75° | 49.21  | 28.58 | 19.05 |
| 3      | 125565-01      | 3.000                | 3.500 | 30 ° | 3.938 | 1.125 | .750 | 76.20                     | 88.90  | 30° | 100.01 | 28.58 | 19.05 |
| 4      | 125309-01      | 3.500                | 4.488 | 60 ° | 2.224 | .984  | —    | 90.00                     | 114.00 | 60° | 4.70   | 25.00 | —     |

Note: All mounting brackets and clamps except Figure 4 are zinc plated. Figure 4 is a black nylon. When mounting capacitors there is no need to wrap capacitors with protective wrapping before installing mounting clamp.

\*Stock bracket

## Nylon Nuts for Insulated Stud Mounting



| Nylon Nut Part Number | For Stud Diameter (mm) | Standoff Diameter S (mm) | Nut Diameter W (mm) | Nut Elevation T (mm) | Hex Head J (mm) | Mounting                |                             |                                 |
|-----------------------|------------------------|--------------------------|---------------------|----------------------|-----------------|-------------------------|-----------------------------|---------------------------------|
|                       |                        |                          |                     |                      |                 | Min. Hole Diameter (mm) | Max. Chassis Thickness (mm) | Max. Tightening Torque in. lbs. |
| M8S17W25              | M8                     | 17                       | 25                  | 14                   | 17              | 17.5                    | 5                           | 25                              |
| M12S22W30             | M12                    | 22                       | 30                  | 16                   | 19              | 22.5                    | 5                           | 75                              |
| M12S30W38             | M12                    | 30                       | 38                  | 16.5                 | 19              | 30.5                    | 5                           | 75                              |



Компания «ЭлектроПласт» предлагает заключение долгосрочных отношений при поставках импортных электронных компонентов на взаимовыгодных условиях!

Наши преимущества:

- Оперативные поставки широкого спектра электронных компонентов отечественного и импортного производства напрямую от производителей и с крупнейших мировых складов;
- Поставка более 17-ти миллионов наименований электронных компонентов;
- Поставка сложных, дефицитных, либо снятых с производства позиций;
- Оперативные сроки поставки под заказ (от 5 рабочих дней);
- Экспресс доставка в любую точку России;
- Техническая поддержка проекта, помощь в подборе аналогов, поставка прототипов;
- Система менеджмента качества сертифицирована по Международному стандарту ISO 9001;
- Лицензия ФСБ на осуществление работ с использованием сведений, составляющих государственную тайну;
- Поставка специализированных компонентов (Xilinx, Altera, Analog Devices, Intersil, Interpoint, Microsemi, Aeroflex, Peregrine, Syfer, Eurofarad, Texas Instrument, Miteq, Cobham, E2V, MA-COM, Hittite, Mini-Circuits, General Dynamics и др.);

Помимо этого, одним из направлений компании «ЭлектроПласт» является направление «Источники питания». Мы предлагаем Вам помощь Конструкторского отдела:

- Подбор оптимального решения, техническое обоснование при выборе компонента;
- Подбор аналогов;
- Консультации по применению компонента;
- Поставка образцов и прототипов;
- Техническая поддержка проекта;
- Защита от снятия компонента с производства.



#### Как с нами связаться

**Телефон:** 8 (812) 309 58 32 (многоканальный)

**Факс:** 8 (812) 320-02-42

**Электронная почта:** [org@eplast1.ru](mailto:org@eplast1.ru)

**Адрес:** 198099, г. Санкт-Петербург, ул. Калинина, дом 2, корпус 4, литера А.