

SERIES: CFM-80V | **DESCRIPTION:** DC AXIAL FAN**FEATURES**

- omniCOOL™ bearing system
- 80 x 80 mm frame
- multiple speed options for different cooling needs
- tachometer signal and rotation detect options available
- auto restart protection standard on all models



| MODEL | input voltage | | input current ¹ | input power ¹ | rated speed ¹ | air flow ² | static pressure ³ | noise ⁴ |
|--------------------|---------------|-------------|----------------------------|--------------------------|--------------------------|-----------------------|------------------------------|--------------------|
| | rated (Vdc) | range (Vdc) | max (mA) | max (W) | typ (RPM±10%) | (CFM) | (inch H ₂ O) | max (dBA) |
| CFM-8015V-124-308 | 12 | 4.5~13.8 | 104 | 1.25 | 2400 | 30.0 | 0.09 | 30.8 |
| CFM-8015V-127-320 | 12 | 4.5~13.8 | 149 | 1.79 | 2700 | 33.6 | 0.11 | 32.0 |
| CFM-8015V-130-347 | 12 | 4.5~13.8 | 188 | 2.26 | 3000 | 37.0 | 0.14 | 34.7 |
| CFM-8015V-224-308 | 24 | 8~27.6 | 65 | 1.56 | 2400 | 30.0 | 0.09 | 30.8 |
| CFM-8015V-227-320 | 24 | 8~27.6 | 75 | 1.80 | 2700 | 33.6 | 0.11 | 32.0 |
| CFM-8015V-230-347 | 24 | 8~27.6 | 106 | 2.55 | 3000 | 37.0 | 0.14 | 34.7 |
| CFM-8020V-126-300 | 12 | 6~13.8 | 86 | 1.04 | 2600 | 29.0 | 0.12 | 30.0 |
| CFM-8020V-130-350 | 12 | 6~13.8 | 110 | 1.32 | 3000 | 33.0 | 0.16 | 35.0 |
| CFM-8020V-133-380 | 12 | 6~13.8 | 150 | 1.80 | 3300 | 36.0 | 0.18 | 38.0 |
| CFM-8020V-139-430* | 12 | 6~13.8 | 225 | 2.70 | 3900 | 45.0 | 0.26 | 43.0 |
| CFM-8020V-142-450* | 12 | 6~13.8 | 265 | 3.18 | 4200 | 49.0 | 0.31 | 45.0 |
| CFM-8020V-146-480* | 12 | 6~12.6 | 328 | 3.94 | 4600 | 53.0 | 0.36 | 48.0 |
| CFM-8020V-226-300 | 24 | 8~27.6 | 49 | 1.18 | 2600 | 29.0 | 0.12 | 30.0 |
| CFM-8020V-230-350 | 24 | 8~27.6 | 59 | 1.42 | 3000 | 33.0 | 0.16 | 35.0 |
| CFM-8020V-233-380 | 24 | 8~27.6 | 74 | 1.78 | 3300 | 36.0 | 0.18 | 38.0 |
| CFM-8025V-120-204 | 12 | 4.5~13.8 | 48 | 0.58 | 2000 | 23.9 | 0.07 | 20.4 |
| CFM-8025V-126-280 | 12 | 4.5~13.8 | 75 | 0.90 | 2600 | 33.0 | 0.11 | 28.0 |
| CFM-8025V-129-300 | 12 | 4.5~13.8 | 106 | 1.28 | 2900 | 37.0 | 0.15 | 30.0 |
| CFM-8025V-132-330 | 12 | 4.5~13.8 | 138 | 1.66 | 3200 | 41.0 | 0.18 | 33.0 |
| CFM-8025V-142-415 | 12 | 6~13.8 | 230 | 2.76 | 4200 | 53.0 | 0.30 | 41.5 |
| CFM-8025V-145-431 | 12 | 6~13.8 | 276 | 3.32 | 4500 | 57.0 | 0.35 | 43.1 |
| CFM-8025V-148-447 | 12 | 6~13.8 | 357 | 4.29 | 4800 | 60.0 | 0.41 | 44.7 |
| CFM-8025V-226-280 | 24 | 8~27.6 | 48 | 1.16 | 2600 | 33.0 | 0.11 | 28.0 |
| CFM-8025V-229-300 | 24 | 8~27.6 | 58 | 1.40 | 2900 | 37.0 | 0.15 | 30.0 |

- Notes:
1. At rated voltage, 25°C, 0 inch H₂O static pressure, after 10 minutes
 2. As per AMCA 210 or DIN 24163, at rated voltage, stabilized RPM, 0 inch H₂O static pressure
 3. As per AMCA 210 or DIN 24163, at rated voltage, stabilized RPM, 0 CFM airflow.
 4. Measured in a semi-anechoic chamber with background noise < 15 dBA at 1 m from the fan intake.
 5. All specifications are measured at 25°C, 65% relative humidity unless otherwise specified.
- *. Discontinued models

MODEL

| | input voltage | | input current ¹ | input power ¹ | rated speed ¹ | air flow ² | static pressure ³ | noise ⁴ |
|--------------------|---------------|-------------|----------------------------|--------------------------|--------------------------|-----------------------|------------------------------|--------------------|
| | rated (Vdc) | range (Vdc) | max (mA) | max (W) | typ (RPM±10%) | (CFM) | (inch H ₂ O) | max (dBA) |
| CFM-8025V-232-330 | 24 | 8~27.6 | 75 | 1.80 | 3200 | 41.0 | 0.18 | 33.0 |
| CFM-8025V-242-435* | 24 | 10~27.6 | 158 | 3.80 | 4200 | 53.0 | 0.30 | 43.5 |
| CFM-8025V-245-450* | 24 | 10~27.6 | 191 | 4.59 | 4500 | 57.0 | 0.35 | 45.0 |
| CFM-8025V-442-435* | 48 | 24~56.0 | 106 | 5.09 | 4200 | 53.0 | 0.30 | 43.5 |
| CFM-8025V-445-450* | 48 | 24~56.0 | 115 | 5.52 | 4500 | 57.0 | 0.35 | 45.0 |

Notes:

1. At rated voltage, 25°C, 0 inch H₂O static pressure, after 10 minutes
2. As per AMCA 210 or DIN 24163, at rated voltage, stabilized RPM, 0 inch H₂O static pressure
3. As per AMCA 210 or DIN 24163, at rated voltage, stabilized RPM, 0 CFM airflow.
4. Measured in a semi-anechoic chamber with background noise < 15 dBA at 1 m from the fan intake.
5. All specifications are measured at 25°C, 65% relative humidity unless otherwise specified.

*. Discontinued models

PART NUMBER KEY

INPUT

| parameter | conditions/description | min | typ | max | units |
|--------------------------------------|------------------------|-----|-----|------|-------|
| operating input voltage ¹ | 12 Vdc input models | 4.5 | 12 | 13.8 | Vdc |
| | 24 Vdc input models | 8 | 24 | 27.6 | Vdc |
| | 48 Vdc input models | 24 | 48 | 56.0 | Vdc |
| starting voltage ² | 12 Vdc input models | | 4.5 | | Vdc |
| | 24 Vdc input models | | 8 | | Vdc |
| | 48 Vdc input models | | 24 | | Vdc |

Note: 1. See Model section on page 1 for specific input voltage ranges.
 2. Starting voltage for models CFM-8020V-126-300, CFM-8020V-130-350, CFM-8020V-133-380, CFM-8020V-139-430, CFM-8020V-142-450, CFM-8020V-146-480, CFM-8025V-142-415, CFM-8025V-145-431, and CFM-8025V-148-447 is 6 Vdc. Starting voltage for models CFM-8025V-242-435 and CFM-8025V-245-450 is 10 Vdc.

PERFORMANCE³

| parameter | conditions/description | min | typ | max | units |
|-----------------|----------------------------------------------------|------|-----|------|-----------------------|
| rated speed | at rated voltage, 25°C, after 10 minutes | 2400 | | 4800 | RPM |
| air flow | at 0 inch H ₂ O, see performance curves | 23.9 | | 60.0 | CFM |
| static pressure | at 0 CFM, see performance curves | 0.07 | | 0.41 | inch H ₂ O |
| noise | at 1 m | 20.4 | | 48.0 | dBA |

Note: 3. See Model section on page 1 for specific values.

PROTECTIONS / FEATURES⁴

| parameter | conditions/description | min | typ | max | units |
|--------------------------|--------------------------|-----|-----|-----|-------|
| auto restart | on all models | | | | |
| rotation detector signal | available on "11" models | | | | |
| tachometer signal | available on "20" models | | | | |

Notes: 4. See Application Notes for details.

SAFETY & COMPLIANCE

| parameter | conditions/description | min | typ | max | units |
|--------------------------------|-------------------------------------------------------------------|-----|--------|-----|-------|
| insulation resistance of frame | at 500 Vdc between internal stator and positive lead wire | 10 | | | MΩ |
| dielectric strength | apply 500 Vac for 1 minute between housing and positive lead wire | | | | |
| safety approvals | UL/cUL 507, TUV (EN 60950-1) | | | | |
| EMI/EMC | EN 61000-6-1:2007, EN 61000-6-3:2007+A1 | | | | |
| life expectancy | at 40°C, 65% RH | | 70,000 | | hours |
| RoHS | yes | | | | |

ENVIRONMENTAL

| parameter | conditions/description | min | typ | max | units |
|-----------------------|------------------------|-----|-----|-----|-------|
| operating temperature | | -10 | | 70 | °C |
| storage temperature | | -40 | | 70 | °C |

PERFORMANCE CURVES

CFM-8015V-124-308



CFM-8015V-127-320



CFM-8015V-130-347



CFM-8015V-224-308



PERFORMANCE CURVES (CONTINUED)

CFM-8015V-227-320



CFM-8015V-230-347



CFM-8020V-126-300

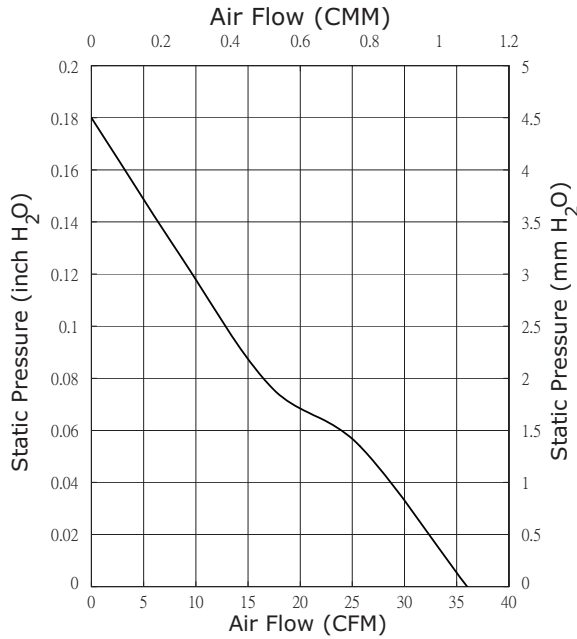


CFM-8020V-130-350

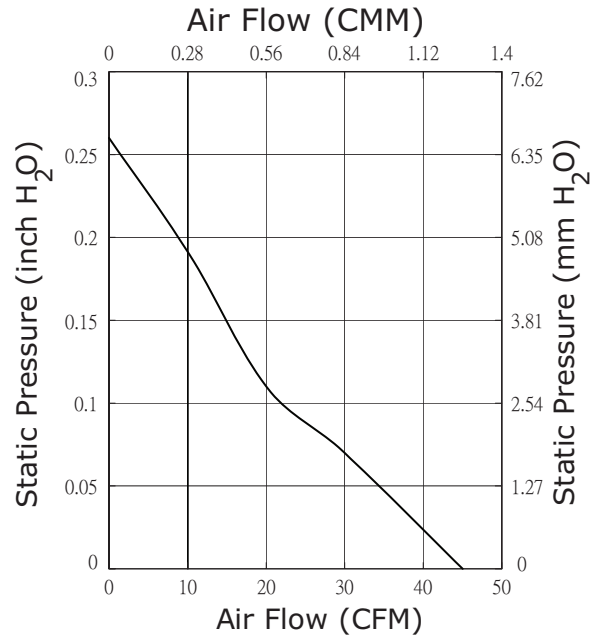


PERFORMANCE CURVES (CONTINUED)

CFM-8020V-133-380



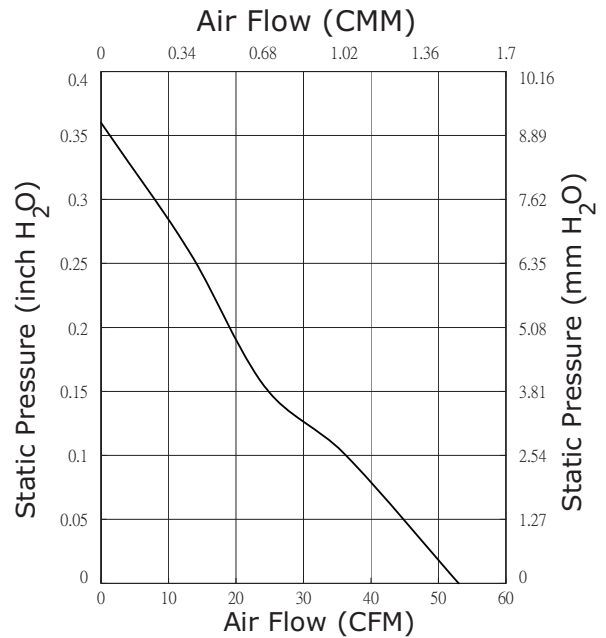
CFM-8020V-139-430



CFM-8020V-142-450



CFM-8020V-146-480



PERFORMANCE CURVES (CONTINUED)

CFM-8020V-226-300



CFM-8020V-230-350



CFM-8020V-233-380



CFM-8025V-120-204



PERFORMANCE CURVES (CONTINUED)

CFM-8025V-126-280



CFM-8025V-129-300



CFM-8025V-132-330



CFM-8025V-142-415



PERFORMANCE CURVES (CONTINUED)

CFM-8025V-145-431



CFM-8025V-148-447



CFM-8025V-226-280



CFM-8025V-229-300

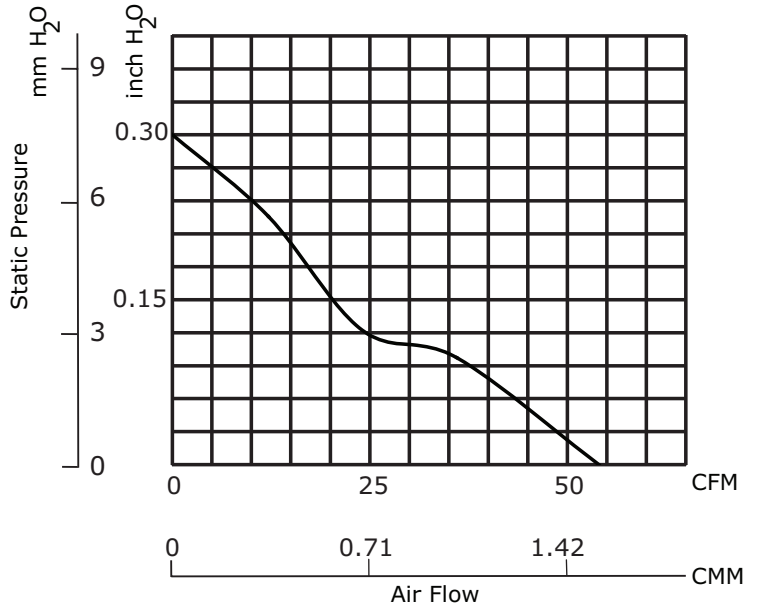


PERFORMANCE CURVES (CONTINUED)

CFM-8025V-232-330



CFM-8025V-242-435



CFM-8025V-245-450



CFM-8025V-442-435



PERFORMANCE CURVES (CONTINUED)

CFM-8025V-445-450



MECHANICAL

| parameter | conditions/description | min | typ | max | units |
|-----------------------|----------------------------------------------------------------------------------------------------|-----|-----|-----|----------------|
| motor | 4 pole DC brushless | | | | |
| bearing system | omniCOOL™ | | | | |
| direction of rotation | counter-clockwise viewed from front of fan blade | | | | |
| dimensions | CFM-8015V models: 80 x 80 x 15 CFM-8020V models: 80 x 80 x 20 CFM-8025V models: 80 x 80 x 25 | | | | mm mm mm |
| material | PBT (UL94V-0) | | | | |
| weight | CFM-8015V models | | 68 | | g |
| | CFM-8020V, 3900~4600 RPM models | | 85 | | g |
| | CFM-8020V, all other models | | 66 | | g |
| | CFM-8025V, 4200~4600 RPM models | | 91 | | g |
| | CFM-8025V, all other models | | 75 | | g |

MECHANICAL DRAWINGS

units: mm

wire: UL 1007, 24 AWG

| MOUNTING SCREW (Pan Head) | | | |
|---------------------------|------|------------------|------------|
| Screw Type | Size | Standard | Torque |
| Machine Screw | M4 | JIS B1111-1974 | 3~4 kgf-cm |
| Self-tapping Screw | M5 | JIS B1122 Type 2 | 6~8 kgf-cm |

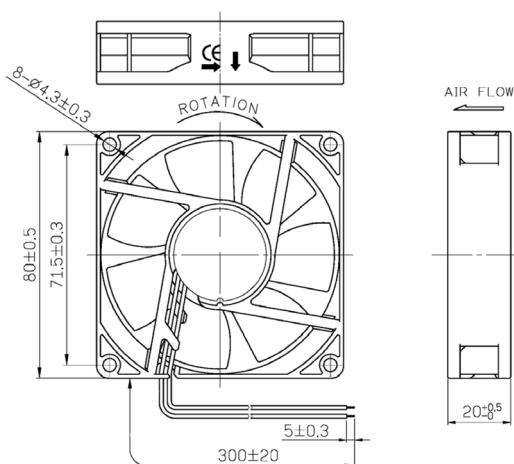
CFM-8015V

| WIRE CONNECTIONS | |
|---------------------|-------------|
| Wire Color | Function |
| Red | +Vin |
| Black | -Vin |
| White ¹ | RD Signal |
| Yellow ¹ | Tach Signal |



CFM-8020V

| WIRE CONNECTIONS | |
|---------------------|-------------|
| Wire Color | Function |
| Red | +Vin |
| Black | -Vin |
| White ¹ | RD Signal |
| Yellow ¹ | Tach Signal |



Notes: 1. Wires only present on versions with output signals.

MECHANICAL DRAWINGS (CONTINUED)

units: mm

wire: UL 1007, 24 AWG

| MOUNTING SCREW (Pan Head) | | | |
|---------------------------|------|------------------|------------|
| Screw Type | Size | Standard | Torque |
| Machine Screw | M4 | JIS B1111-1974 | 3~4 kgf-cm |
| Self-tapping Screw | M5 | JIS B1122 Type 2 | 6~8 kgf-cm |

CFM-8025V

| WIRE CONNECTIONS | |
|---------------------|-------------|
| Wire Color | Function |
| Red | +Vin |
| Black | -Vin |
| White ¹ | RD Signal |
| Yellow ¹ | Tach Signal |



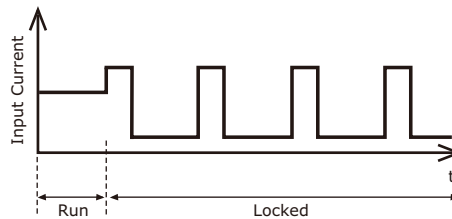
Notes: 1. Wires only present on versions with output signals.
 2. CFM-8025V-242-435, CFM-8025V-245-450, CFM-8025V-442-435, & CFM-8025V-445-450 have 300 ± 20 mm lead wires.

APPLICATION NOTES

Auto Restart Protection

When the fan motor is locked by an external force, the device will temporarily turn off electrical power to the motor and restart automatically when the locked rotor condition is released.

Figure 1: Auto Start Protection



Rotation Detector Signal (White Wire)

The rotation detector signal is used to detect if the fan motor is operating or stopped. The output will be logical low (VL) when fan is operating and be logical high (Vcc) when fan motor is locked. (See Figures 2~3 below).

Figure 2: Rotation Detector Output Waveform

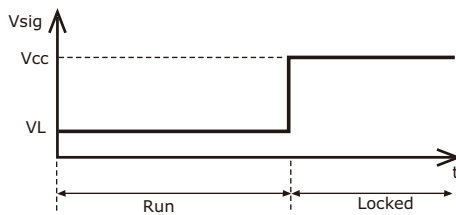
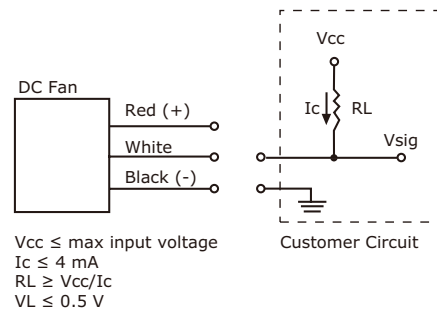


Figure 3: Rotation Detector Output Circuit



Tachometer Signal (Yellow Wire)

The tachometer signal is for detecting the rotational speed of the fan motor. The output will be a square wave when fan is operating and logical high (Vcc) when fan motor is locked (See Figures 4~5 below). The relationship between RPM & output pulses from the signal wire is as follows.

$$1 \text{ RPM} = 2 \text{ Pulses}$$

Figure 4: Tachometer Output Waveform

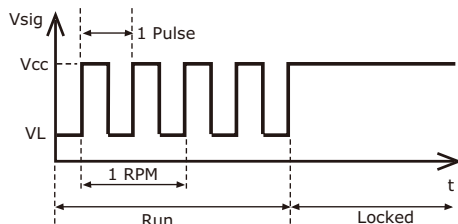
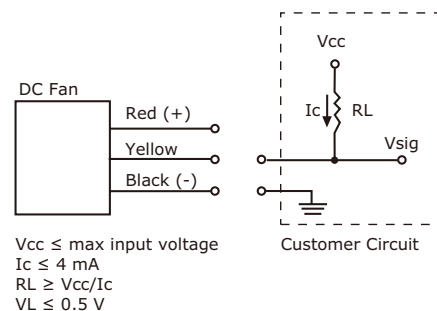


Figure 5: Tachometer Output Circuit



SAFETY CONSIDERATIONS

1. Do not use or operate this fan in excess of the limitations set forth in this specification. CUI is not responsible for the non-performance of this fan and/or any damages resulting from its use, if it is not used or operated in accordance with the specifications.
2. CUI recommends adding a protection circuit to the product or application in which this fan is installed, such as a thermo-fuse, or current fuse or thermo-protector. The failure to use such a device may result in smoke, fire, electric shock by insulation degradation in cases of motor lead short circuit, overload, or over voltage, and/or other failure.
3. CUI recommends installing a protection device to the product or application in which this fan is installed if there is a possibility of reverse connection between Vdc (+) and GND (-). The failure to install such a device may result in smoke, fire, and/or destruction, although these conditions may not manifest immediately.
4. This fan must be installed and used in compliance with all applicable safety standards and regulations.
5. Use proper care when handling and/or installing this fan. Improper handling of installation of this fan may cause damage that could result in unsafe conditions.
6. Use proper care during installation and/or wiring. Failure to use proper care may cause damage to certain components of the fan including, but not limited to, the coil and lead wires, which could result in smoke and/or fire.
7. Do not use power or ground PWM to control the fan speed. If the fan speed needs to be adjusted, please contact CUI to customize the product design for your application.
8. For critical or extreme environments, including non-stop operation, please contact CUI and we will gladly provide assistance with your product selection to ensure an appropriate cooling product for your application.
9. When building your device, please examine thoroughly any variation of EMC, temperature rise, life data, quality, etc. of this product by shock/drop/vibration testing, etc. If there are any problems or accidents in connection with this product, it should be mutually discussed and examined.
10. Use proper care when handling these fans. Components such as fan holders or bearings may be damaged, if touched with fingers or other objects. Additionally, static electricity (ESD) may damage internal circuits of the fan.
11. Do not operate these fans in proximity to hazardous materials such as organic silicon, cyanogens, formalin, phenol, or corrosive gas environments including, but not limited to, H_2S , SO_2 , NO_2 , or Cl_2 .
12. CUI recommends that you protect these fans from exposure to outside elements such as dust, condensation, humidity, or insects. Exposure of this fan to such elements may affect its performance and may cause safety hazards. CUI does not warrant against damage to the product caused by outside elements.
13. The fans must be installed properly and securely. Improper mounting may cause harsh resonance, vibration, and noise.
14. Do not store these fans in an environment with high humidity. These fans must be stored in accordance with the specified storage temperature.
15. CUI reserves the right to use components from multiple sources at its discretion. The use of components from other sources will not affect the specifications as described herein.
16. The life expectancy of these fans has not been evaluated for use in combination with any end application. Therefore, the life expectancy that relate to these fans are only for reference.

REVISION HISTORY

| rev. | description | date |
|------|-------------------------------------------------------------------------------------------------------------------|------------|
| 1.0 | initial release | 07/26/2017 |
| 1.01 | discontinued CFM-8020V-139-430, CFM-8020V-142-450, CFM-8020V-146-480, CFM-8025V-442-435, CFM-8025V-445-450 models | 09/12/2018 |
| 1.02 | discontinued CFM-8025V-242-435, CFM-8025V-245-450 models | 03/18/2019 |
| 1.03 | brand update | 02/10/2020 |

The revision history provided is for informational purposes only and is believed to be accurate.

CUI DEVICES

CUI Devices offers a one (1) year limited warranty. Complete warranty information is listed on our website.

CUI Devices reserves the right to make changes to the product at any time without notice. Information provided by CUI Devices is believed to be accurate and reliable. However, no responsibility is assumed by CUI Devices for its use, nor for any infringements of patents or other rights of third parties which may result from its use.

CUI Devices products are not authorized or warranted for use as critical components in equipment that requires an extremely high level of reliability. A critical component is any component of a life support device or system whose failure to perform can be reasonably expected to cause the failure of the life support device or system, or to affect its safety or effectiveness.



Компания «ЭлектроПласт» предлагает заключение долгосрочных отношений при поставках импортных электронных компонентов на взаимовыгодных условиях!

Наши преимущества:

- Оперативные поставки широкого спектра электронных компонентов отечественного и импортного производства напрямую от производителей и с крупнейших мировых складов;
- Поставка более 17-ти миллионов наименований электронных компонентов;
- Поставка сложных, дефицитных, либо снятых с производства позиций;
- Оперативные сроки поставки под заказ (от 5 рабочих дней);
- Экспресс доставка в любую точку России;
- Техническая поддержка проекта, помощь в подборе аналогов, поставка прототипов;
- Система менеджмента качества сертифицирована по Международному стандарту ISO 9001;
- Лицензия ФСБ на осуществление работ с использованием сведений, составляющих государственную тайну;
- Поставка специализированных компонентов (Xilinx, Altera, Analog Devices, Intersil, Interpoint, Microsemi, Aeroflex, Peregrine, Syfer, Eurofarad, Texas Instrument, Miteq, Cobham, E2V, MA-COM, Hittite, Mini-Circuits, General Dynamics и др.);

Помимо этого, одним из направлений компании «ЭлектроПласт» является направление «Источники питания». Мы предлагаем Вам помощь Конструкторского отдела:

- Подбор оптимального решения, техническое обоснование при выборе компонента;
- Подбор аналогов;
- Консультации по применению компонента;
- Поставка образцов и прототипов;
- Техническая поддержка проекта;
- Защита от снятия компонента с производства.



Как с нами связаться

Телефон: 8 (812) 309 58 32 (многоканальный)

Факс: 8 (812) 320-02-42

Электронная почта: org@eplast1.ru

Адрес: 198099, г. Санкт-Петербург, ул. Калинина, дом 2, корпус 4, литера А.