

MC74LV594A

8-Bit Shift Register with Output Register

The MC74LV594A is an 8-bit shift register designed for 2 V to 6.0 V V_{CC} operation. The device contains an 8-bit serial-in, parallel-out shift register that feeds an 8-bit D-type storage register. Separate clocks (RCLK, SRCLK) and direct overriding clear (\overline{RCLR} , \overline{SRCLR}) inputs are provided on the shift and storage registers. A serial output (Q_H) is provided for cascading purposes.

The shift-register (SRCLK) and storage-register (RCLK) clocks are positive-edge triggered. If the clocks are tied together, the shift register always is one clock pulse ahead of the storage register.

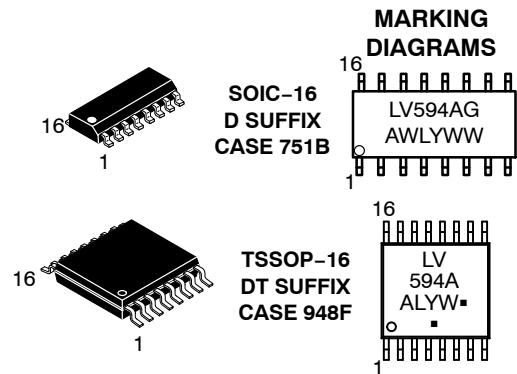
Features

- 2.0 V to 6.0 V V_{CC} Operation
- Low Input Current: 1.0 μ A
- Max t_{pd} of 6.5 ns at 5 V
- Typical V_{OLP} (Output Ground Bounce) < 0.8 V at $V_{CC} = 3.3$ V, $T_A = 25^\circ\text{C}$
- Typical V_{OHV} (Output V_{OH} Undershoot) > 2.3 V at $V_{CC} = 3.3$ V, $T_A = 25^\circ\text{C}$
- Support Mixed-Mode Voltage Operation on All Ports
- 8-Bit Serial-In, Parallel-Out Shift Registers With Storage
- Independent Direct Overriding Clears on Shift and Storage Registers
- Independent Clocks for Shift and Storage Registers
- High Noise Immunity Characteristic of CMOS Devices
- In Compliance with the Requirements Defined by JEDEC Standard No. 7A
- These Devices are Pb-Free, Halogen Free/BFR Free and are RoHS Compliant



ON Semiconductor®

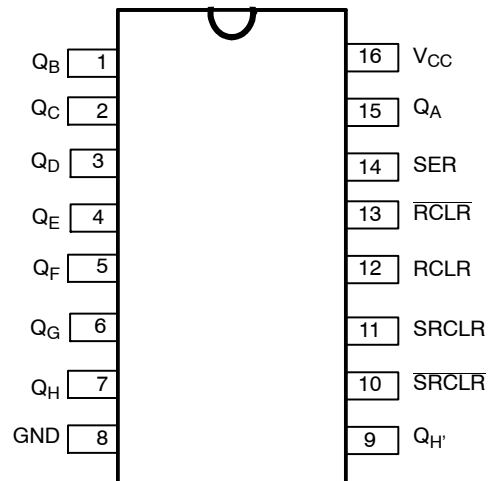
<http://onsemi.com>



A = Assembly Location
WL, L = Wafer Lot
YY, Y = Year
WW, W = Work Week
G or ■ = Pb-Free Package

(Note: Microdot may be in either location)

PIN ASSIGNMENT



ORDERING INFORMATION

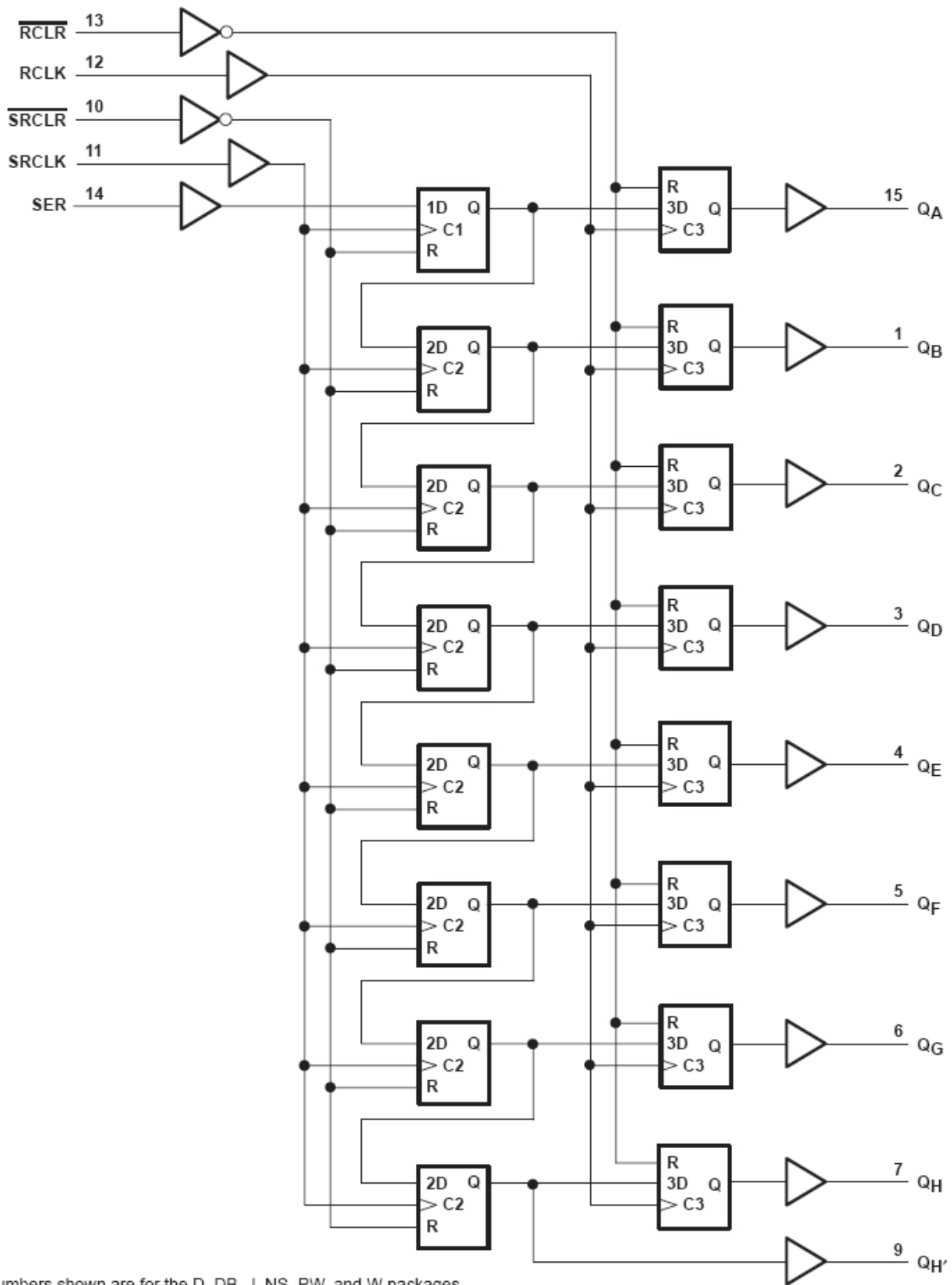
See detailed ordering and shipping information in the package dimensions section on page 4 of this data sheet.

MC74LV594A

FUNCTION TABLE

INPUTS					FUNCTION
SER	SRCLK	$\overline{\text{SRCLR}}$	RCLK	$\overline{\text{RCLR}}$	
X	X	L	X	X	Shift register is cleared.
L	↑	H	X	X	First stage of shift register goes low. Other stages store the data of previous stage, respectively.
H	↑	H	X	X	First stage of shift register goes high. Other stages store the data of previous stage, respectively.
L	↓	H	X	X	Shift register state is not changed.
X	X	X	X	L	Storage register is cleared.
X	X	X	↑	H	Shift register data is stored in the storage register.
X	X	X	↓	H	Storage register state is not changed.

MC74LV594A



numbers shown are for the D, DB, J, NS, PW, and W packages.

Figure 1. Logic Diagram

MC74LV594A

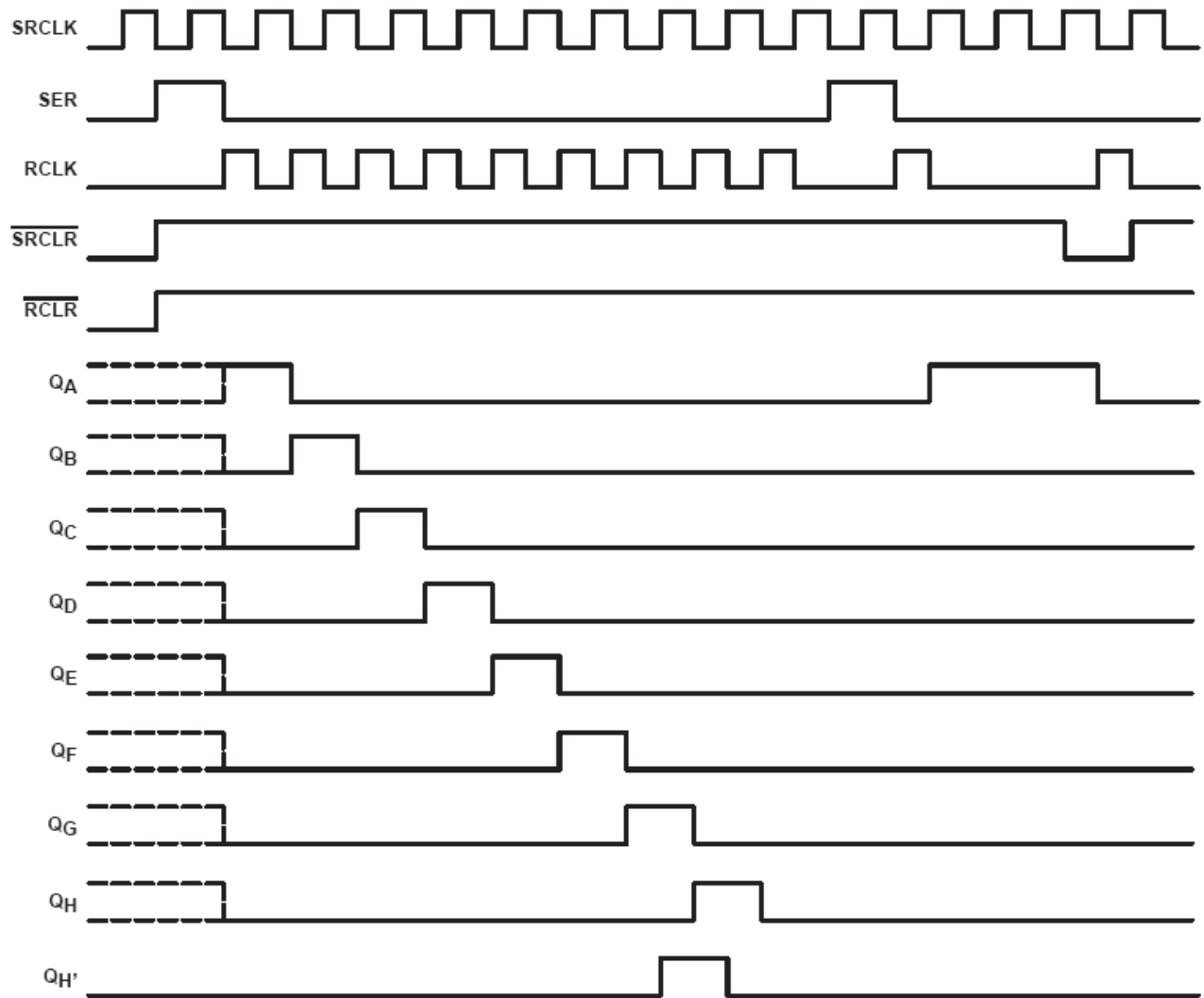


Figure 2. Timing Diagram

ORDERING INFORMATION

Device	Package	Shipping†
MC74LV594ADR2G	SOIC-16 (Pb-Free)	2500 / Tape & Reel
MC74LV594ADTR2G	TSSOP-16* (Pb-Free)	2500 / Tape & Reel

†For information on tape and reel specifications, including part orientation and tape sizes, please refer to our Tape and Reel Packaging Specifications Brochure, BRD8011/D.

*This package is inherently Pb-Free.

MC74LV594A

MAXIMUM RATINGS

Symbol	Parameter	Value	Unit
V_{CC}	DC Supply Voltage	-0.5 to +7.0	V
V_I	DC Input Voltage	-0.5 to $V_{CC} + 0.5$	V
V_O	DC Output Voltage Active Mode (Note 1)	-0.5 to $V_{CC} + 0.5$	V
	High Impedance or Power-Off Mode	-0.5 to +7.0	
I_{IK}	DC Input Clamp Current	± 20	mA
I_{OK}	DC Output Clamp Current	± 35	mA
I_{IN}	DC Input Current	± 20	mA
I_O	DC Output Source / Sink Current	± 35	mA
I_{CC}	DC Supply Current per Supply Pin	± 75	mA
I_{GND}	DC Ground Current per Ground Pin	± 75	mA
T_{STG}	Storage Temperature Range	-65 to +150	$^{\circ}C$
T_L	Lead temperature, 1 mm from Case for 10 Seconds	260	$^{\circ}C$
T_J	Junction temperature under Bias	+150	$^{\circ}C$
θ_{JA}	Thermal Resistance SOIC TSSOP	112 148	$^{\circ}C$
P_D	Power Dissipation in Still Air at SOIC TSSOP	500 450	mW
MSL	Moisture Sensitivity	Level 1	
F_R	Flammability Rating Oxygen Index: 30% - 35%	UL-94-V0 (0.125 in)	
V_{ESD}	ESD Withstand Voltage Human Body Model (Note 2) Machine Model (Note 3) Charged Device Model (Note 4)	> 3000 >400 N/A	V
$I_{Latchup}$	Latchup Performance Above V_{CC} and Below GND at 85 $^{\circ}C$ (Note 5)	± 300	mA

Stresses exceeding Maximum Ratings may damage the device. Maximum Ratings are stress ratings only. Functional operation above the Recommended Operating Conditions is not implied. Extended exposure to stresses above the Recommended Operating Conditions may affect device reliability.

1. I_O absolute maximum rating must be observed.
2. Tested to EIA/JESD22-A114-A.
3. Tested to EIA/JESD22-A115-A.
4. Tested to JESD22-C101-A.
5. Tested to EIA/JESD78.
6. For high frequency or heavy load considerations, see the ON Semiconductor High-Speed CMOS Data Book (DL129/D).

RECOMMENDED OPERATING CONDITIONS (Note 7)

Symbol	Parameter	Min	Max	Unit
V_{CC}	DC Supply Voltage (Referenced to GND)	2.0	6.0	V
V_I	DC Input Voltage (Referenced to GND)	0	V_{CC}	V
V_O	DC Output Voltage (Referenced to GND)	0	V_{CC}	V
T_A	Operating Free-Air Temperature	-55	+125	$^{\circ}C$
t_r, t_f	Input Rise or Fall Rate $V_{CC} = 2.0$ V $V_{CC} = 4.5$ V $V_{CC} = 6.0$ V	0 0 0	1000 500 400	nS

7. All unused inputs of the device must be held at V_{CC} or GND to ensure proper device operation.

MC74LV594A

DC ELECTRICAL CHARACTERISTICS

Symbol	Parameter	Conditions	V _{CC} (V)	Guaranteed Limits					Unit
				T _A = 25°C			T _A = -55°C to 125°C		
				Min	Typ	Max	Min	Max	
V _{IH}	Minimum High-Level Input Voltage		2.0	1.5			1.5		V
			2.3 – 6.0	0.7 x V _{CC}			0.7 x V _{CC}		
V _{IL}	Maximum Low-Level Input Voltage		2.0			0.5		0.5	V
			2.3 – 6.0			0.3 x V _{CC}		0.3 x V _{CC}	
V _{OH}	Minimum High-Level Output Voltage	V _{IN} = V _{IH} or V _{IL}							V
		I _{oH} = -50 μA	2.0 – 6.0	V _{CC} - 0.1			V _{CC} - 0.1		
		I _{oH} = -2 mA	2.3	2			2		
		I _{oH} = -6 mA	3.0	2.48			2.48		
		I _{oH} = -12 mA	4.5	3.8			3.8		
V _{OL}	Maximum Low-Level Output Voltage	V _{IN} = V _{IH} or V _{IL}							V
		I _{oH} = 50 μA	2.0 – 6.0			0.1		0.1	
		I _{oH} = 2 mA	2.3			0.4		0.4	
		I _{oH} = 6 mA	3.0			0.44		0.44	
		I _{oH} = 12 mA	4.5			0.55		0.55	
I _{IN}	Maximum Input Leakage Current	V _I = V _{CC} or GND	6.0		±0.1		±1		μA
I _{CC}	Maximum Supply Current	V _I = V _{CC} or GND, I _O = 0 A	6.0			8.0		80	μA
C _I	Input Capacitance	V _I = V _{CC} or GND	3.3		3.5				pF

MC74LV594A

TIMING SPECIFICATIONS (See Figure 3)

Symbol	Parameter	Conditions	V _{CC} (V)	T _A = 25°C		T _A = -55°C to 125°C		Unit			
				Min	Max	Min	Max				
t _w	Pulse Duration	RCLK or SRCLK High or Low	2.3 – 2.7	7		7.5		ns			
			3.0 – 3.6	5.5		5.5					
			4.5 – 5.5	5		5					
		RCLR or SRCLR Low	2.3 – 2.7	6		6.5					
			3.0 – 3.6	5		5					
			4.5 – 5.5	5.2		5.2					
t _{su}	Setup Time	SER before SRCLK↑	2.3 – 2.7	5.5		5.5		ns			
			3.0 – 3.6	3.5		3.5					
			4.5 – 5.5	3		3					
		SRCLK↑ before RCLK↑	2.3 – 2.7	8		9					
			3.0 – 3.6	8		8.5					
			4.5 – 5.5	5		5					
		SRCLR Low before RCLK↑	2.3 – 2.7	8.5		9.5					
			3.0 – 3.6	8		9					
			4.5 – 5.5	5		5					
		SRCLR High (Inactive) before SRCLK↑	2.3 – 2.7	6		6.8					
			3.0 – 3.6	4.2		4.8					
			4.5 – 5.5	2.9		3.3					
		RCLR High (Inactive) before RCLK↑	2.3 – 2.7	6.7		7.6					
			3.0 – 3.6	4.6		5.3					
			4.5 – 5.5	3.2		3.7					
		t _H	Hold Time	SER after SRCLK↑	2.3 – 2.7	1.5			1.5		ns
					3.0 – 3.6	1.5			1.5		
					4.5 – 5.5	2			2		

MC74LV594A

AC CHARACTERISTICS (See Figure 3)

Symbol	Parameter	Load Conditions	Input to Output	V _{CC} (V)	Guaranteed Limits					Unit
					T _A = 25°C			T _A = -55°C to 125°C		
					Min	Typ	Max	Min	Max	
f _{MAX}		C _L = 15 pF		2.3 – 2.7	65	80		45		MHz
				3.0 – 3.6	80	120		70		
				4.5 – 5.5	135	170		115		
		C _L = 50 pF		2.3 – 2.7	50	51		40		
				3.0 – 3.6	70	74		55		
				4.5 – 5.5	115	120		90		
t _{PLH}	Propagation Delay Low to High	C _L = 15 pF	RCLK to Q _A -Q _H	2.3 – 2.7			27.5	1	32.5	ns
				3.0 – 3.6			18	1	22.5	
				4.5 – 5.5			12	1	15	
			SRCLK to Q _H '	2.3 – 2.7			27.5	1	32	
				3.0 – 3.6			18	1	22	
				4.5 – 5.5			12.5	1	12	
		C _L = 50 pF	RCLK to Q _A -Q _H	2.3 – 2.7		22.1	25.0	1	30.0	
				3.0 – 3.6		15.6	17.5	1	21.0	
				4.5 – 5.5		11.5	12.5	1	15.5	
			SRCLK to Q _H '	2.3 – 2.7		21.6	25.5	1	29.5	
				3.0 – 3.6		15.2	18.0	1	21.0	
				4.5 – 5.5		10.9	12.5	1	15.0	
t _{PHL}	Propagation Delay High to Low	C _L = 15 pF	RCLK to Q _A -Q _H	2.3 – 2.7			23	1	27.5	ns
				3.0 – 3.6			15.5	1	19	
				4.5 – 5.5			11	1	14	
			SRCLK to Q _H '	2.3 – 2.7			23.5	1	27	
				3.0 – 3.6			16	1	19	
				4.5 – 5.5			11	1	13.5	
			RCLR to Q _A -Q _H	2.3 – 2.7			20.5	1	25	
				3.0 – 3.6			14.5	1	17.5	
				4.5 – 5.5			10	1	12	
			SRCLR to Q _H '	2.3 – 2.7				1	23	
				3.0 – 3.6			13	1	16	
				4.5 – 5.5			9	1	11	
		C _L = 50 pF	RCLK to Q _A -Q _H	2.3 – 2.7		19.7	23.0	1	27.0	
				3.0 – 3.6		14.0	16.5	1	19.5	
				4.5 – 5.5		10.1	11.5	1	13.5	
			SRCLK to Q _H '	2.3 – 2.7		18.4	21.5	1	25.0	
				3.0 – 3.6		13.1	15.0	1	18.0	
				4.5 – 5.5		9.0	10.5	1	12.5	
			RCLR to Q _A -Q _H	2.3 – 2.7		25.7	30.0	1	35.0	
				3.0 – 3.6		17.6	20.0	1	24.5	
				4.5 – 5.5		12.2	13.5	1	17.0	
			SRCLR to Q _H '	2.3 – 2.7		25.3	30.0	1	34	
				3.0 – 3.6		17.3	20.0	1	24.0	
				4.5 – 5.5		11.9	14.0	1	16.5	

MC74LV594A

NOISE CHARACTERISTICS, $V_{CC} = 3.3\text{ V}$, $C_L = 50\text{ pF}$, $T_A = 25^\circ\text{C}$

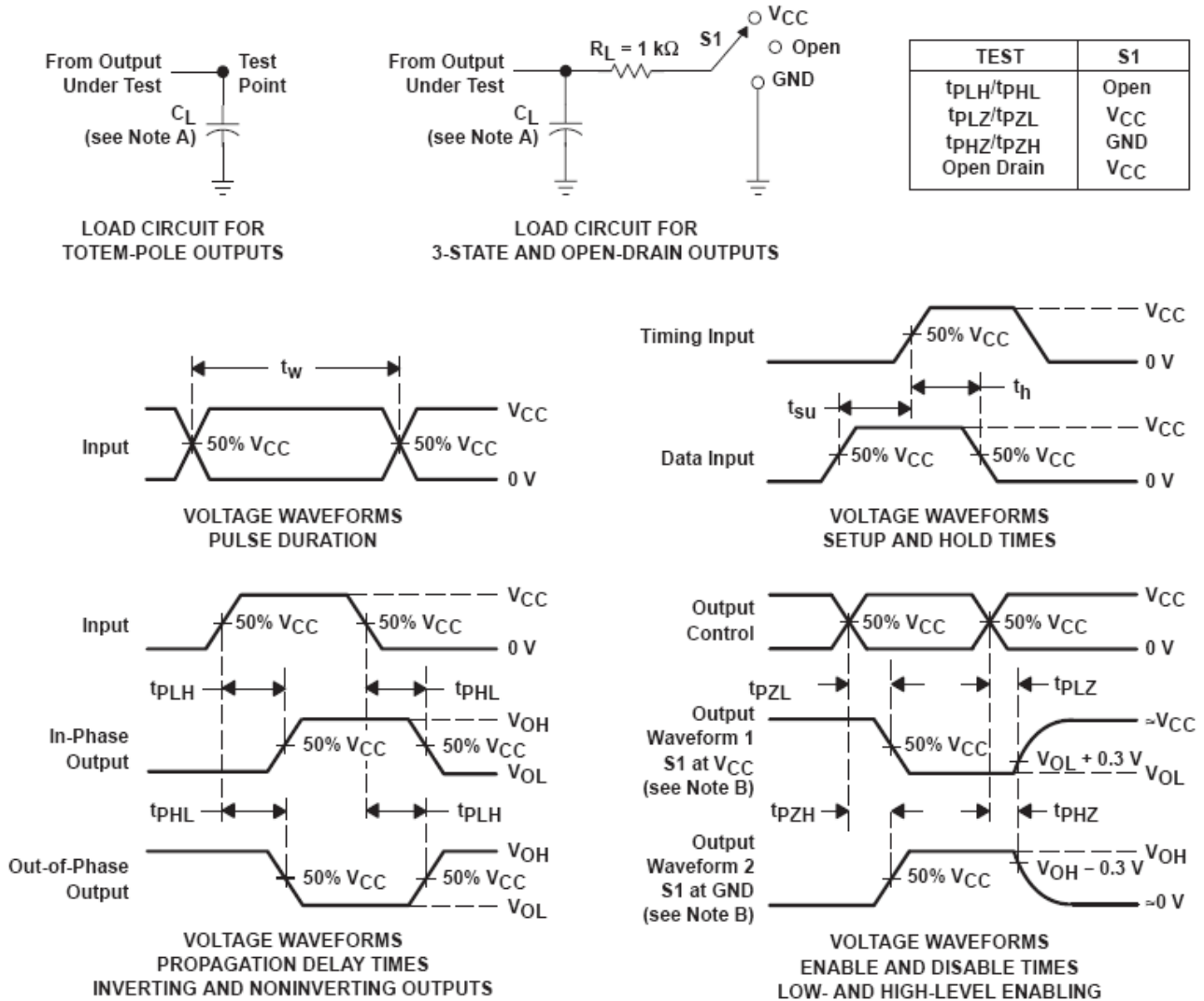
Symbol	Parameter	Min	Typ	Max	Unit
$V_{OL(P)}$	Quiet Output, Maximum Dynamic V_{OL}		0.8	0.8	V
$V_{OL(V)}$	Quiet Output, Minimum Dynamic V_{OL}		-0.1	-0.8	V
$V_{OH(V)}$	Quiet Output, Minimum Dynamic V_{OH}		2.8		V
$V_{IH(D)}$	High-Level Dynamic Input Voltage	2.31			V
$V_{IL(D)}$	Low-Level Dynamic Input Voltage			0.99	V

POWER DISSIPATION CHARACTERISTICS, $T_A = 25^\circ\text{C}$

Symbol	Parameter	Test Conditions	V_{CC} (V)	Typ	Unit
C_{PD}	Power Dissipation Capacitance	f = 10 MHz	3.3	93	pF
			5	112	

MC74LV594A

PARAMETER MEASUREMENT INFORMATION



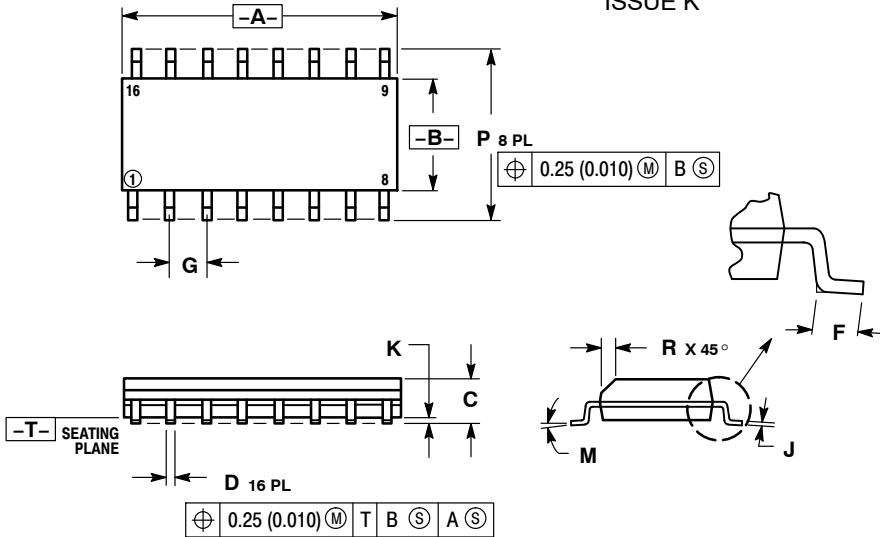
- NOTES:
- A. C_L includes probe and jig capacitance.
 - B. Waveform 1 is for an output with internal conditions such that the output is low, except when disabled by the output control. Waveform 2 is for an output with internal conditions such that the output is high, except when disabled by the output control.
 - C. All input pulses are supplied by generators having the following characteristics: $PRR \leq 1\text{ MHz}$, $Z_O = 50\ \Omega$, $t_r \leq 3\text{ ns}$, $t_f \leq 3\text{ ns}$.
 - D. The outputs are measured one at a time, with one input transition per measurement.
 - E. t_{PLZ} and t_{PHZ} are the same as t_{dis} .
 - F. t_{pZL} and t_{pZH} are the same as t_{en} .
 - G. t_{PHL} and t_{PLH} are the same as t_{pd} .
 - H. All parameters and waveforms are not applicable to all devices.

Figure 3. Load Circuit and Voltage Waveforms

MC74LV594A

PACKAGE DIMENSIONS

SOIC-16
CASE 751B-05
ISSUE K

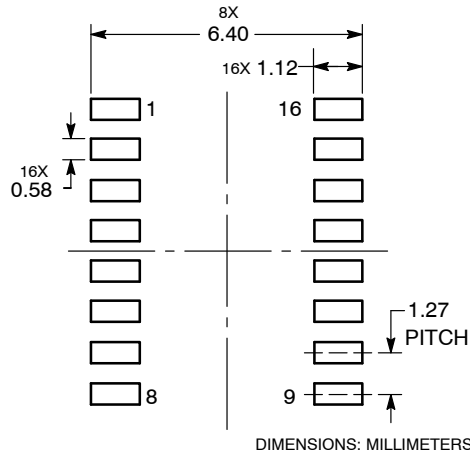


NOTES:

1. DIMENSIONING AND TOLERANCING PER ANSI Y14.5M, 1982.
2. CONTROLLING DIMENSION: MILLIMETER.
3. DIMENSIONS A AND B DO NOT INCLUDE MOLD PROTRUSION.
4. MAXIMUM MOLD PROTRUSION 0.15 (0.006) PER SIDE.
5. DIMENSION D DOES NOT INCLUDE DAMBAR PROTRUSION. ALLOWABLE DAMBAR PROTRUSION SHALL BE 0.127 (0.005) TOTAL IN EXCESS OF THE D DIMENSION AT MAXIMUM MATERIAL CONDITION.

DIM	MILLIMETERS		INCHES	
	MIN	MAX	MIN	MAX
A	9.80	10.00	0.386	0.393
B	3.80	4.00	0.150	0.157
C	1.35	1.75	0.054	0.068
D	0.35	0.49	0.014	0.019
F	0.40	1.25	0.016	0.049
G	1.27 BSC		0.050 BSC	
J	0.19	0.25	0.008	0.009
K	0.10	0.25	0.004	0.009
M	0°	7°	0°	7°
P	5.80	6.20	0.229	0.244
R	0.25	0.50	0.010	0.019

SOLDERING FOOTPRINT*

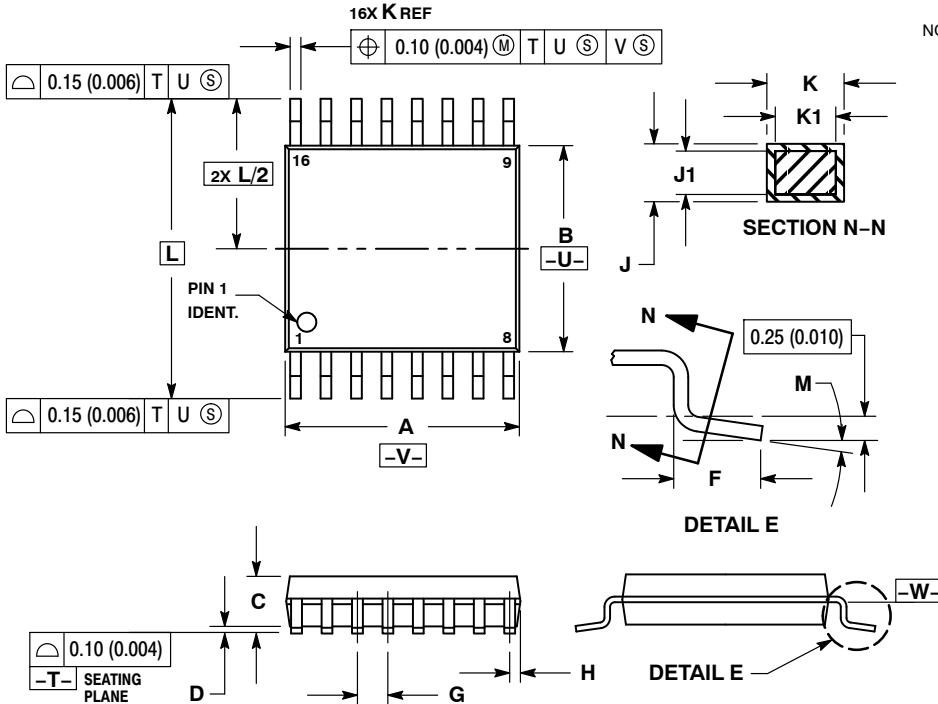


*For additional information on our Pb-Free strategy and soldering details, please download the ON Semiconductor Soldering and Mounting Techniques Reference Manual, SOLDERRM/D.

MC74LV594A

PACKAGE DIMENSIONS

TSSOP-16
DT SUFFIX
CASE 948F-01
ISSUE B

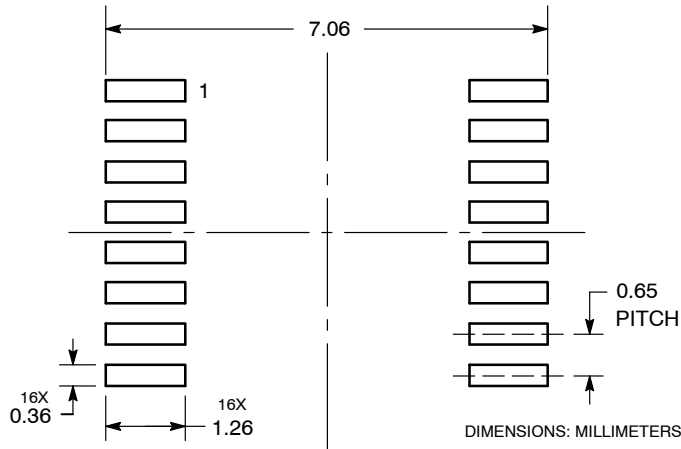


NOTES:


1. DIMENSIONING AND TOLERANCING PER ANSI Y14.5M, 1982.
2. CONTROLLING DIMENSION: MILLIMETER.
3. DIMENSION A DOES NOT INCLUDE MOLD FLASH, PROTRUSIONS OR GATE BURRS. MOLD FLASH OR GATE BURRS SHALL NOT EXCEED 0.15 (0.006) PER SIDE.
4. DIMENSION B DOES NOT INCLUDE INTERLEAD FLASH OR PROTRUSION. INTERLEAD FLASH OR PROTRUSION SHALL NOT EXCEED 0.25 (0.010) PER SIDE.
5. DIMENSION K DOES NOT INCLUDE DAMBAR PROTRUSION. ALLOWABLE DAMBAR PROTRUSION SHALL BE 0.08 (0.003) TOTAL IN EXCESS OF THE K DIMENSION AT MAXIMUM MATERIAL CONDITION.
6. TERMINAL NUMBERS ARE SHOWN FOR REFERENCE ONLY.
7. DIMENSION A AND B ARE TO BE DETERMINED AT DATUM PLANE -W-

DIM	MILLIMETERS		INCHES	
	MIN	MAX	MIN	MAX
A	4.90	5.10	0.193	0.200
B	4.30	4.50	0.169	0.177
C	---	1.20	---	0.047
D	0.05	0.15	0.002	0.006
F	0.50	0.75	0.020	0.030
G	0.65 BSC		0.026 BSC	
H	0.18	0.28	0.007	0.011
J	0.09	0.20	0.004	0.008
J1	0.09	0.16	0.004	0.006
K	0.19	0.30	0.007	0.012
K1	0.19	0.25	0.007	0.010
L	6.40 BSC		0.252 BSC	
M	0°	8°	0°	8°

SOLDERING FOOTPRINT*



*For additional information on our Pb-Free strategy and soldering details, please download the ON Semiconductor Soldering and Mounting Techniques Reference Manual, SOLDERRM/D.

ON Semiconductor and  are registered trademarks of Semiconductor Components Industries, LLC (SCILLC). SCILLC owns the rights to a number of patents, trademarks, copyrights, trade secrets, and other intellectual property. A listing of SCILLC's product/patent coverage may be accessed at www.onsemi.com/site/pdf/Patent-Marking.pdf. SCILLC reserves the right to make changes without further notice to any products herein. SCILLC makes no warranty, representation or guarantee regarding the suitability of its products for any particular purpose, nor does SCILLC assume any liability arising out of the application or use of any product or circuit, and specifically disclaims any and all liability, including without limitation special, consequential or incidental damages. "Typical" parameters which may be provided in SCILLC data sheets and/or specifications can and do vary in different applications and actual performance may vary over time. All operating parameters, including "Typicals" must be validated for each customer application by customer's technical experts. SCILLC does not convey any license under its patent rights nor the rights of others. SCILLC products are not designed, intended, or authorized for use as components in systems intended for surgical implant into the body, or other applications intended to support or sustain life, or for any other application in which the failure of the SCILLC product could create a situation where personal injury or death may occur. Should Buyer purchase or use SCILLC products for any such unintended or unauthorized application, Buyer shall indemnify and hold SCILLC and its officers, employees, subsidiaries, affiliates, and distributors harmless against all claims, costs, damages, and expenses, and reasonable attorney fees arising out of, directly or indirectly, any claim of personal injury or death associated with such unintended or unauthorized use, even if such claim alleges that SCILLC was negligent regarding the design or manufacture of the part. SCILLC is an Equal Opportunity/Affirmative Action Employer. This literature is subject to all applicable copyright laws and is not for resale in any manner.

PUBLICATION ORDERING INFORMATION

LITERATURE FULFILLMENT:

Literature Distribution Center for ON Semiconductor
P.O. Box 5163, Denver, Colorado 80217 USA
Phone: 303-675-2175 or 800-344-3860 Toll Free USA/Canada
Fax: 303-675-2176 or 800-344-3867 Toll Free USA/Canada
Email: orderlit@onsemi.com

N. American Technical Support: 800-282-9855 Toll Free
USA/Canada
Europe, Middle East and Africa Technical Support:
Phone: 421 33 790 2910
Japan Customer Focus Center
Phone: 81-3-5817-1050

ON Semiconductor Website: www.onsemi.com
Order Literature: <http://www.onsemi.com/orderlit>
For additional information, please contact your local
Sales Representative



Компания «ЭлектроПласт» предлагает заключение долгосрочных отношений при поставках импортных электронных компонентов на взаимовыгодных условиях!

Наши преимущества:

- Оперативные поставки широкого спектра электронных компонентов отечественного и импортного производства напрямую от производителей и с крупнейших мировых складов;
- Поставка более 17-ти миллионов наименований электронных компонентов;
- Поставка сложных, дефицитных, либо снятых с производства позиций;
- Оперативные сроки поставки под заказ (от 5 рабочих дней);
- Экспресс доставка в любую точку России;
- Техническая поддержка проекта, помощь в подборе аналогов, поставка прототипов;
- Система менеджмента качества сертифицирована по Международному стандарту ISO 9001;
- Лицензия ФСБ на осуществление работ с использованием сведений, составляющих государственную тайну;
- Поставка специализированных компонентов (Xilinx, Altera, Analog Devices, Intersil, Interpoint, Microsemi, Aeroflex, Peregrine, Syfer, Eurofarad, Texas Instrument, Miteq, Cobham, E2V, MA-COM, Hittite, Mini-Circuits, General Dynamics и др.);

Помимо этого, одним из направлений компании «ЭлектроПласт» является направление «Источники питания». Мы предлагаем Вам помощь Конструкторского отдела:

- Подбор оптимального решения, техническое обоснование при выборе компонента;
- Подбор аналогов;
- Консультации по применению компонента;
- Поставка образцов и прототипов;
- Техническая поддержка проекта;
- Защита от снятия компонента с производства.



Как с нами связаться

Телефон: 8 (812) 309 58 32 (многоканальный)

Факс: 8 (812) 320-02-42

Электронная почта: org@eplast1.ru

Адрес: 198099, г. Санкт-Петербург, ул. Калинина, дом 2, корпус 4, литера А.