

BCM5482 PRODUCT Brief



DUAL-PORT 10/100/1000BASE-T GIGABIT ETHERNET TRANSCEIVER

FEATURES

- Dual-port integrated 10BASE-T/100BASE-TX/1000BASE-T Gigabit Ethernet transceiver .
- RGMII, SGMII, and SerDes MAC interface options.
- 1-Gbps line-side SerDes with RGMII MAC interface.
- Fully compliant with IEEE 802.3, IEEE 802.3u, and IEEE 802.3ab standards.
- 0.13-micron CMOS—low power and cost.
- Supports copper or fiber in RGMII mode.
- **Low power.**
 - 600 mW per port.
 - Advanced power management.
- Trace-matched output impedance.
- Line-side and MAC-side loopback.
- **Low EMI emissions.**
- **CableChecker™ Diagnostics.**
 - Cable plant analyzer function detects cable plant impairments.
 - Ethernet@WireSpeed.
 - Automatic MDI/MDIX crossover at all speeds.
- **Robust cable-sourced electrostatic discharge (CESD) tolerance.**
- Support for jumbo packets up to 10 kB.
- IEEE 1149.1 (JTAG) boundary scan.
- 121-pin BGA package.

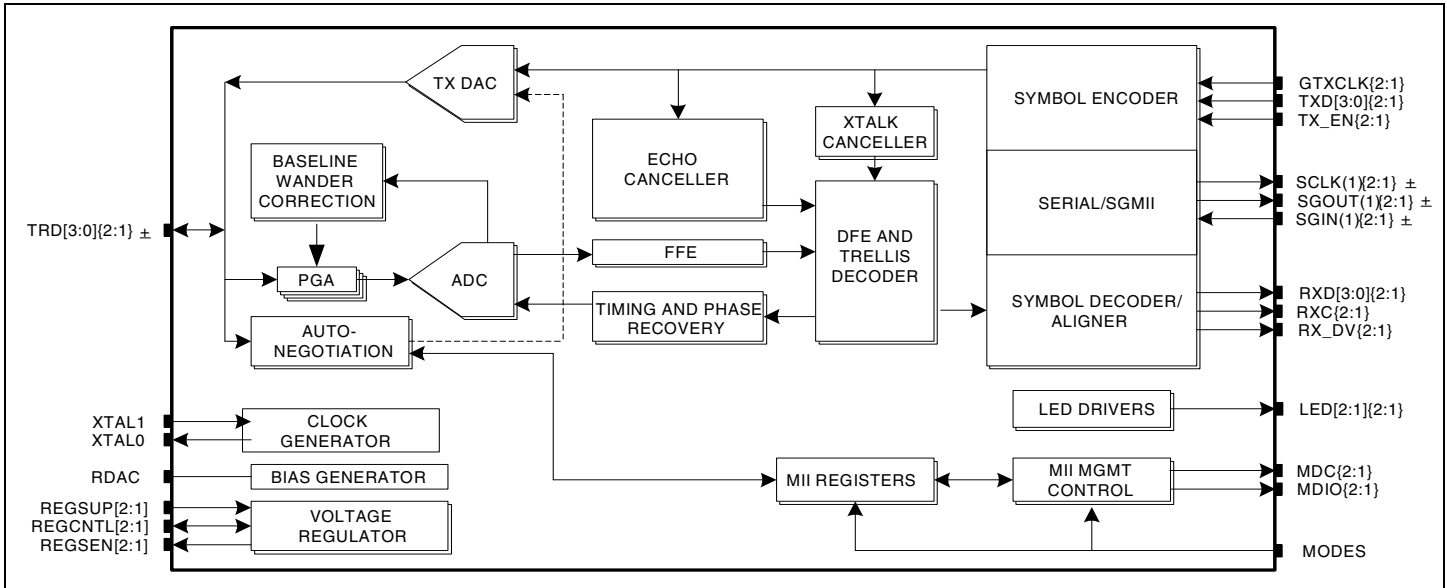
SUMMARY OF BENEFITS

- Low-power, dual-port integration reduces design constraints for space-constrained IP phone applications.
- Compact solution for 10/100Base-TX uplink applications.
- Provides compatibility with IEEE standard devices operating at 10, 100, and 1000 Mbps at half-duplex and full-duplex.
- Clock timing can be adjusted to eliminate board trace delays required by the RGMII specification.
- Lowers system BOM cost and simplifies system design.
- Eases system level debugging.
- Enables use of low-cost magnetics.
- **Cable diagnostic function characterizes cable plant condition and immediately indicates cabling issues.**
 - Prevents erroneous equipment return due to bad cable plants.
 - Prevents manufacturing fallout due to bad cable plants.
 - Allows immediate uptime at reduced speeds (100Base-TX or 10Base-T).
- **Over 3 kV of CESD tolerance prevents equipment damage and return.**
- Operates with larger packets for wider range of packet protocol support and improved efficiency.
- Ease of manufacturing with JTAG support, simplified power supply, and multiple MAC interfaces.

BCM5482 System Diagram



OVERVIEW



A member of Broadcom's third generation of Gigabit Ethernet PHYs, the **BCM5482** consists of two complete 10/100/1000BASE-T Gigabit Ethernet transceivers integrated on a single monolithic CMOS chip. The **BCM5482** is optimized for low power and small footprint size to reduce design complexity for space-constrained IP phone applications. For 10/100BASE-TX applications, the single package offers a compelling advantage over two single devices for Gigabit uplinks.

The **BCM5482** DSP-based architecture and advanced power management techniques combine to achieve robust and low-power operation over existing Category 5 twisted-pair wiring. The **BCM5482** architecture not only meets the requirements of IEEE 802.3, IEEE 802.3u, and IEEE 802.3ab, but also maintains the industry's highest level of margin over IEEE requirements for echo, near-end crosstalk (NEXT), and far-end crosstalk (FEXT). With the industry's lowest power at 600 mW per port, the **BCM5482** assists in reducing the power distribution requirements of IP phone systems. In addition, the **BCM5482** has extremely low EMI emissions, which reduces the design constraints required to meet EMI radiation specifications.

The **BCM5482** supports the RGMII, SGMII, and SerDes MAC interfaces. The RGMII, SGMII, and serial SerDes interfaces are reduced-pin-count (12, 6, and 4, respectively, versus 25) versions of the GMII. The RGMII clock timing can be adjusted to eliminate the board trace delays required by the RGMII specification. These reduced-pin-count interfaces simplify design and lower system cost by reducing the number of layers required for signal routing. In addition, these interfaces

allow fewer pins at the MAC/switch, which reduces the MAC/switch cost by enabling smaller die sizes than would be possible with full GMII.

This device is another member of Broadcom's 0.13- μ m Gigabit Ethernet copper PHY family, joining more than 25 other quad and single products. The 0.13- μ m process is the optimal process that offers the best performance, lowest cost, and lowest power for Gigabit Ethernet copper solutions. Broadcom continues to expand its leadership in 0.13- μ m technology with the **BCM5482**, part of its third generation of 0.13- μ m Gigabit Ethernet copper transceivers.

Each **BCM5482** port is fully independent and has individual interface, control, and status registers, and incorporates a number of advanced features. This includes identifying physical wiring defects that the **BCM5482** cannot automatically correct for, and channel conditions such as excessive cable length and return loss, crosstalk, echo, and noise. Broadcom's cable analyzer software can be used with the device to provide remote management of the cable and a first level of diagnostics and fault isolation.

The **BCM5482** also has ESD tolerance that is well above typical industry standards. This prevents ESD damage not only during manufacturing, but also during CESD events in the field. The CESD is an ESD event that occurs when an electrically charged network cable is plugged into a network port. This is an issue becoming more prevalent with contemporary cable installations. The **BCM5482** can tolerate over 3 kV of CESD.

Broadcom[®], the pulse logo, QuadSquad[™], and Connecting everything[®] are trademarks of Broadcom Corporation and/or its subsidiaries in the United States and certain other countries. All other trademarks mentioned are the property of their respective owners.

Connecting
everything[®]



BROADCOM CORPORATION
16215 Alton Parkway, P.O. Box 57013
Irvine, California 92619-7013

© 2005 by BROADCOM CORPORATION. All rights reserved.

5482-PB00-R 4/29/05

Phone: 949-450-8700
Fax: 949-450-8710
E-mail: info@broadcom.com
Web: www.broadcom.com



Компания «ЭлектроПласт» предлагает заключение долгосрочных отношений при поставках импортных электронных компонентов на взаимовыгодных условиях!

Наши преимущества:

- Оперативные поставки широкого спектра электронных компонентов отечественного и импортного производства напрямую от производителей и с крупнейших мировых складов;
- Поставка более 17-ти миллионов наименований электронных компонентов;
- Поставка сложных, дефицитных, либо снятых с производства позиций;
- Оперативные сроки поставки под заказ (от 5 рабочих дней);
- Экспресс доставка в любую точку России;
- Техническая поддержка проекта, помощь в подборе аналогов, поставка прототипов;
- Система менеджмента качества сертифицирована по Международному стандарту ISO 9001;
- Лицензия ФСБ на осуществление работ с использованием сведений, составляющих государственную тайну;
- Поставка специализированных компонентов (Xilinx, Altera, Analog Devices, Intersil, Interpoint, Microsemi, Aeroflex, Peregrine, Syfer, Eurofarad, Texas Instrument, Miteq, Cobham, E2V, MA-COM, Hittite, Mini-Circuits, General Dynamics и др.);

Помимо этого, одним из направлений компании «ЭлектроПласт» является направление «Источники питания». Мы предлагаем Вам помощь Конструкторского отдела:

- Подбор оптимального решения, техническое обоснование при выборе компонента;
- Подбор аналогов;
- Консультации по применению компонента;
- Поставка образцов и прототипов;
- Техническая поддержка проекта;
- Защита от снятия компонента с производства.



Как с нами связаться

Телефон: 8 (812) 309 58 32 (многоканальный)

Факс: 8 (812) 320-02-42

Электронная почта: org@eplast1.ru

Адрес: 198099, г. Санкт-Петербург, ул. Калинина, дом 2, корпус 4, литера А.