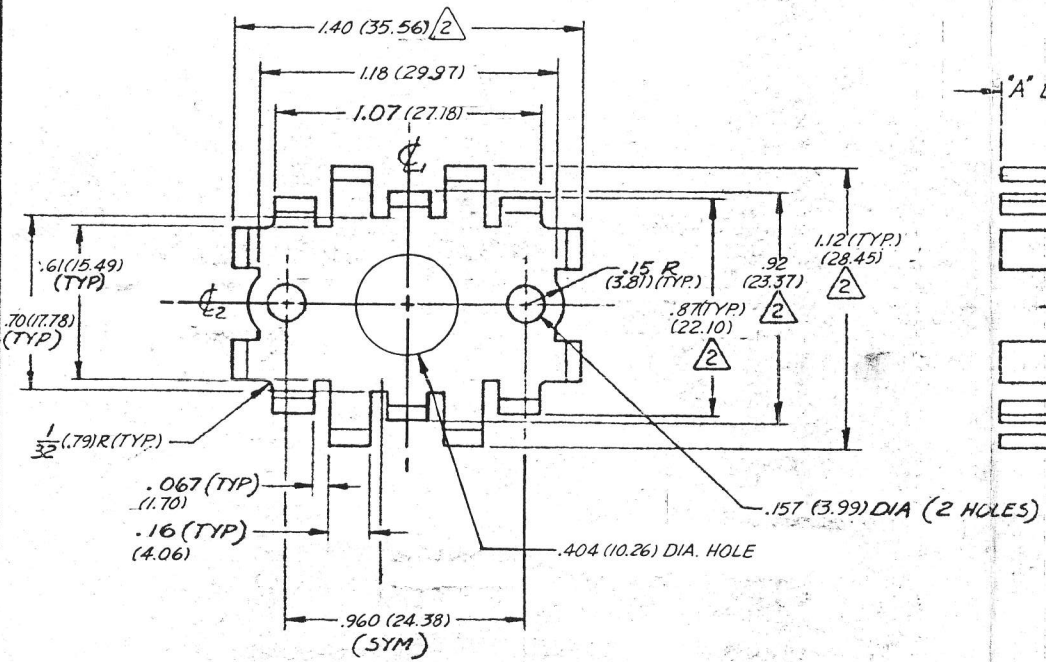


BASE				
PART NO.	HOLE PATTERN	DWG NO.	"A" DIM.	MAT'L NO.
LB66B1-67B	191	3429-10	1/2 (12.7)	108-044
LB66B2-67B			5/16 (7.92)	108-047

REVISIONS				
NO.	DATE	DESCRIPTION	BY	APPROVAL
01-482				
A	7-18-74	ADD FLATNESS, CALL-OUT, & PROD. RELEASED	E.M.	<i>[Signature]</i>

- ECOS -	
OUTSTANDING	
No.	1597
No.	
No.	
No.	

COPY NO. 10



NOTES:

- STANDARD FINISH AS SHOWN. ALTERNATE FINISHES:  
 a) INSULUBE 448 PER IERC SPEC 22002, METHOD B. DELETE SUFFIX "B" FROM PART NO. (EX: LB66B1-67).  
 b) COMMERCIAL BLACK ANODIZE: DELETE SUFFIX "B" & ADD "CB" TO PART NO. (EX: LB66B1-67CB).  
 c) NO FINISH: DELETE SUFFIX "B" & ADD "U" TO PART NO. (EX: LB66B1-67U).
- DIMS INDICATED TAKEN FROM BASE END OF FINGERS. TOLERANCE OVER BASE END OF FINGERS: ± .015 (.38). TOLERANCE OVER FREE END OF FINGERS: .030 (.76).
- TOLERANCE ON HOLE DIA'S, INSULUBE FINISH ONLY: +.005 (.13) / -.015 (.38)
- ALL BEND RADII: 3/64 R. (1.17)
- Φ<sub>1</sub> & Φ<sub>2</sub> OF THE HOLE PATTERN TO BE LOCATED WITHIN 1/32 (.79) OF Φ<sub>1</sub> & Φ<sub>2</sub> OF THE PART.
- NO MARKING ON PART. PACKAGING IDENTIFIED WITH APPLICABLE PART NO.

BASE			.064 (1.63) THK 6061-T6 ALUMINUM ALLOY OR EQUIV.	BLK. ANODIZE PER IERC SPEC 22000, TYPE II.
PART	ITEM	REQ'D	DESCRIPTION	FINISH

UNLESS OTHERWISE SPECIFIED	
DIMENSIONS IN PARANTHESES ARE IN MILLIMETERS & APPLY AFTER PLATING.	
DIMENSIONS IN INCHES	APPLICABLE TOL. IN M/M
FRACTIONAL	± .38
.XX	± .25
.XXX	± .13
UNLESS OTHERWISE SPECIFIED	
DIMENSIONS APPLY AFTER PLATING TOLERANCES	
FRAC. ± 1/64	.XX ± .010
ANGLES ± 1/2°	.XXX ± .008

DRAFTSMAN	R. BOYD	DATE	5-16-69
CHECKER	<i>[Signature]</i>		
ENGINEER	<i>[Signature]</i>		
INSPECTION	<i>[Signature]</i>		
PRODUCTION	<i>[Signature]</i>		
APPROVED	<i>[Signature]</i>		

BASE -  
 TRANSISTOR HEAT DISSIPATOR  
 (MEDIUM PACKAGE)

SCALE 2:1

**IERC**  
 DIVISION  
 INTERNATIONAL ELECTRONIC RESEARCH CORPORATION  
 a subsidiary of Dynamics Corporation of America  
 BURBANK, CALIFORNIA, U.S.A.

DRAWING NUMBER	REV.
2484-10	A

CODE 98978 INDEX MFG

PRODUCT DISCLOSED HEREON IS COVERED BY U.S. PATENT NOS 3212569 & 3213324 OWNED BY INTERNATIONAL ELECTRONIC RESEARCH CORP. THE INTERNATIONAL ELECTRONIC RESEARCH CORPORATION CLAIMS PATENT AND/OR PROPRIETARY RIGHTS IN THE MATERIAL DISCLOSED HEREON. THIS DRAWING IS ISSUED IN CONFIDENCE FOR ENGINEERING INFORMATION AND MAY NOT BE REPRODUCED OR USED TO MANUFACTURE ANYTHING SHOWN HEREON WITHOUT DIRECT WRITTEN PERMISSION FROM INTERNATIONAL ELECTRONIC RESEARCH CORPORATION TO THE USER.

**IERC**



**INTERNATIONAL ELECTRONIC  
RESEARCH CORPORATION**

a corporate division of DYNAMICS CORPORATION OF AMERICA  
Burbank, California 91502

**ENGINEERING CHANGE ORDER**

1597

2465-10

0

E.C.O. NUMBER

DOCUMENT NUMBER(S)

REV.



Dwg. Chg.



Mat. Chg.



Process Chg.



Finish Chg.



Other

**OTHER CHANGES  
REQUIRED**

INTERCHANGEABILITY AFFECTED YES  NO

**PARTS AFFECTED**

**DISTRIBUTION**

**E.C.O. BY**

**DATE**

- NONE
- MFG OUTLINE
- TOOLING CHG
- INSP. CHG
- PRICING CHG
- INV. CONT. CHG
- PURCH. SPEC.

PARTS DISPOSITION	Raw Mat. & Pur.Pts.	In Process Semi- Fin.	Fin. Compon in Stock	Assem. & in Stock
CHECK ONE				
NOT AFPEC. - USE	<input type="checkbox"/>	<input checked="" type="checkbox"/>	<input checked="" type="checkbox"/>	<input checked="" type="checkbox"/>
REWORK	<input type="checkbox"/>	<input type="checkbox"/>	<input type="checkbox"/>	<input type="checkbox"/>
EXHAUST EXIS. STOCK	<input checked="" type="checkbox"/>	<input type="checkbox"/>	<input type="checkbox"/>	<input type="checkbox"/>
SCRAP or SALVAGE	<input type="checkbox"/>	<input type="checkbox"/>	<input type="checkbox"/>	<input type="checkbox"/>
RE-INSPECT	<input type="checkbox"/>	<input type="checkbox"/>	<input type="checkbox"/>	<input type="checkbox"/>

LB66B1, LB66B2,  
LB66B1-76, LB66B2-76  
& PLATING SUFFIX  
"B, CB, E, U"  
LB66B1-91, LB66B2-91,  
-67's

STANDARD PER SP 4-6

B. McQuown	8/19/92
CHECKER	
ENGINEER	
INSPECTION	
PRODUCTION	
APPROVAL	
RELEASE	

WAS

IS

**I.) CHANGE MAT'L DESCRIPTION:**

.064 THK. 6061-T4 ALUMINUM ALLOY  
(1.63)  
PER IERC SPEC 11100 (OR EQUIV.)

.063 THK. 1100-H14 ALUMINUM  
ALLOY PER QQ-A-250/1

**II.) CHANGE MAT'L STOCK No's:**

108-044

108-190

108-047

108-191

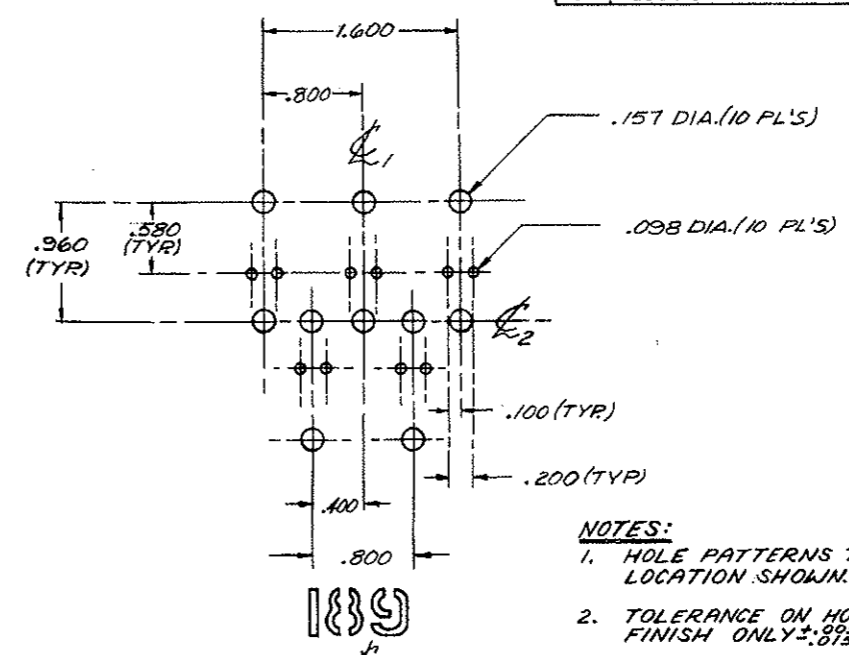
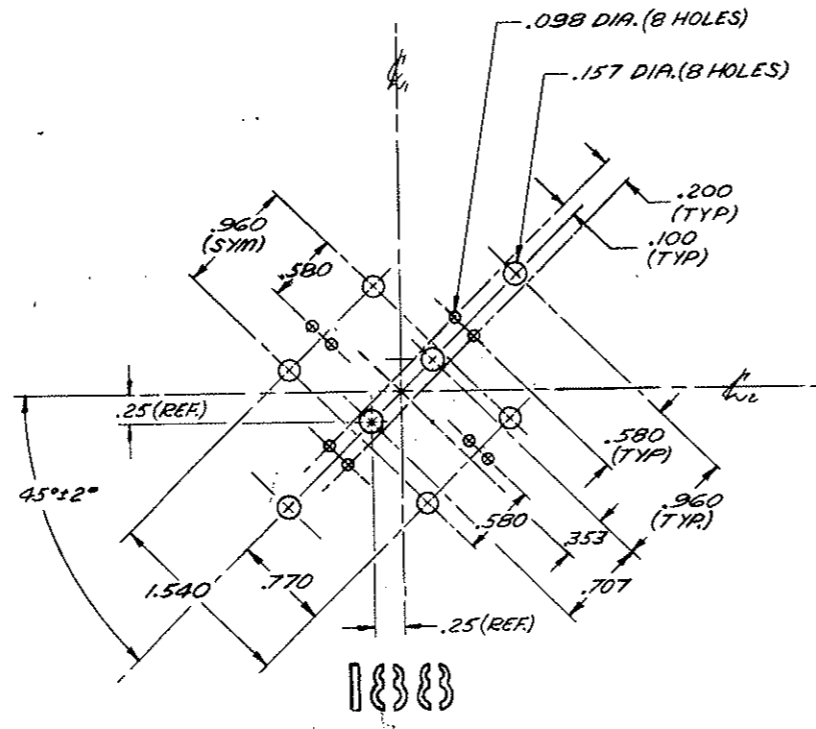
**III.) DWG'S AFFECTED: 2465-10, 24087-10, 2484-10,**

REASON: **INACCESSIBILITY OF 6061-T41 MAT'L**

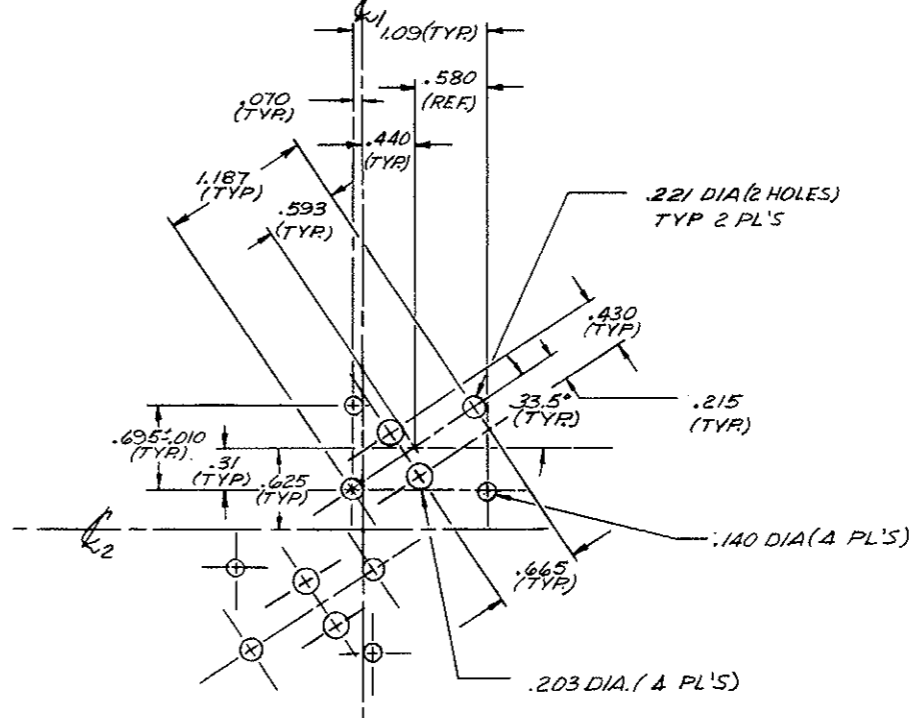
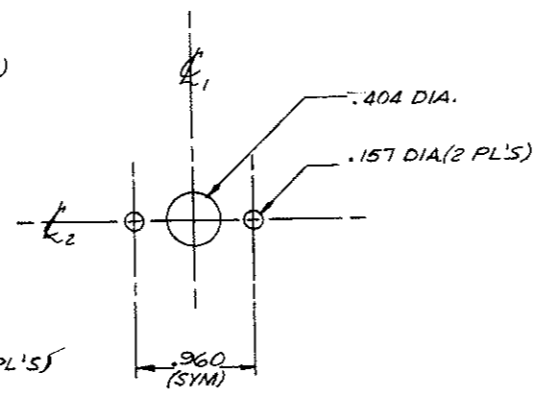
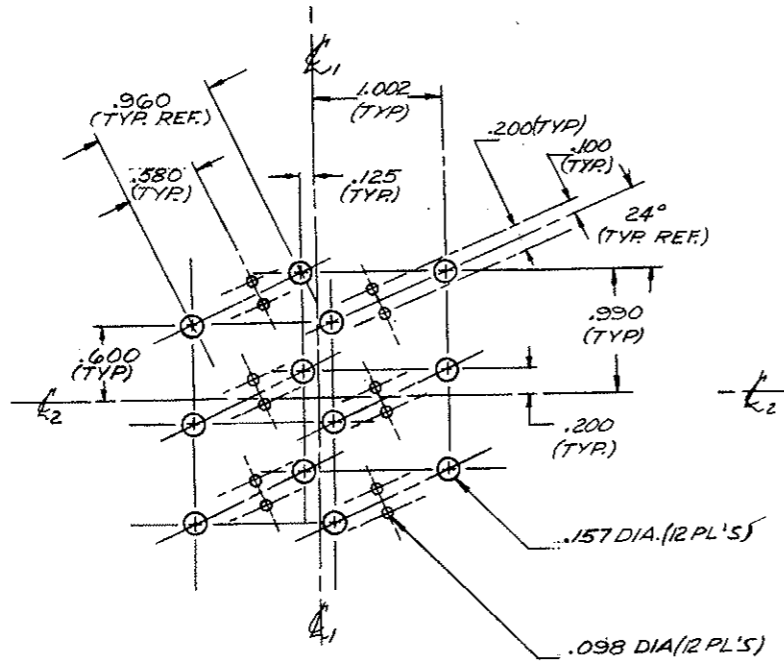
1597	D
E.C.O. NUMBER	REV.
PAGE 1	of 1

HOLE PATTERN	OUTLINE NO
188	(4) T066
189	(5) T066
190	(6) T066
191	T066 (MOD)
192	(2) T03'S WITH SOCKETS

REVISIONS			
SYM	DESCRIPTION	DATE	APPROVAL
A	PRODUCTION RELEASE	7-28-69	[Signature]
B	REDESIGNER HOLE PATTERN NO. 188	11-5-69	[Signature]



NOTES:  
 1. HOLE PATTERNS TO BE LOCATED WITHIN 1/32 OF LOCATION SHOWN.  
 2. TOLERANCE ON HOLE DIA'S, INSULUBE 448 FINISH ONLY ±.015.



190

191

192

PART	ITEM	REQ'D	DESCRIPTION	FINISH
LIST OF MATERIAL				

DRAFTSMAN	DATE
R. BOYD	6-7-69
CHECKER	DATE
G. T. [Signature]	6/9/69
ENGINEER	DATE
[Signature]	7/28/69
INSPECTION	DATE
G. T. [Signature]	7/31/69
PRODUCTION	DATE
[Signature]	7/31/69
APPROVED	DATE
[Signature]	8-1-69

HOLE PATTERNS  
188 THRU 192



DRAWING NUMBER	REV.
3429-10	B
CODE 98978	INDEX: MFG

UNLESS OTHERWISE SPECIFIED —		
DIMENSIONS APPLY AFTER PLATING	TOLERANCES	SURFACE
FRAC. ± 1/64	XX ± .010	✓
ANGLES ± 1/2°	.XXX ± .008	

THE INTERNATIONAL ELECTRONIC RESEARCH CORPORATION CLAIMS PATENT AND/OR PROPRIETARY RIGHTS IN THE MATERIAL DISCLOSED HEREON. THIS DRAWING IS ISSUED IN CONFIDENCE FOR ENGINEERING INFORMATION AND MAY NOT BE REPRODUCED OR USED TO MANUFACTURE ANYTHING SHOWN HEREON WITHOUT DIRECT WRITTEN PERMISSION FROM INTERNATIONAL ELECTRONIC RESEARCH CORPORATION TO THE USER.

SCALE 1:1



Компания «ЭлектроПласт» предлагает заключение долгосрочных отношений при поставках импортных электронных компонентов на взаимовыгодных условиях!

Наши преимущества:

- Оперативные поставки широкого спектра электронных компонентов отечественного и импортного производства напрямую от производителей и с крупнейших мировых складов;
- Поставка более 17-ти миллионов наименований электронных компонентов;
- Поставка сложных, дефицитных, либо снятых с производства позиций;
- Оперативные сроки поставки под заказ (от 5 рабочих дней);
- Экспресс доставка в любую точку России;
- Техническая поддержка проекта, помощь в подборе аналогов, поставка прототипов;
- Система менеджмента качества сертифицирована по Международному стандарту ISO 9001;
- Лицензия ФСБ на осуществление работ с использованием сведений, составляющих государственную тайну;
- Поставка специализированных компонентов (Xilinx, Altera, Analog Devices, Intersil, Interpoint, Microsemi, Aeroflex, Peregrine, Syfer, Eurofarad, Texas Instrument, Miteq, Cobham, E2V, MA-COM, Hittite, Mini-Circuits, General Dynamics и др.);

Помимо этого, одним из направлений компании «ЭлектроПласт» является направление «Источники питания». Мы предлагаем Вам помощь Конструкторского отдела:

- Подбор оптимального решения, техническое обоснование при выборе компонента;
- Подбор аналогов;
- Консультации по применению компонента;
- Поставка образцов и прототипов;
- Техническая поддержка проекта;
- Защита от снятия компонента с производства.



#### Как с нами связаться

**Телефон:** 8 (812) 309 58 32 (многоканальный)

**Факс:** 8 (812) 320-02-42

**Электронная почта:** [org@eplast1.ru](mailto:org@eplast1.ru)

**Адрес:** 198099, г. Санкт-Петербург, ул. Калинина, дом 2, корпус 4, литера А.