

# MC74LVX244

## Octal Bus Buffer

### With 5V-Tolerant Inputs

The MC74LVX244 is an advanced high speed CMOS non-inverting 3-state octal bus buffer and has two active low output enables. It is also designed to work with 3-state memory address drivers, etc. The inputs tolerate voltages up to 7.0 V, allowing the interface of 5.0 V systems to 3.0 V systems.

#### Features

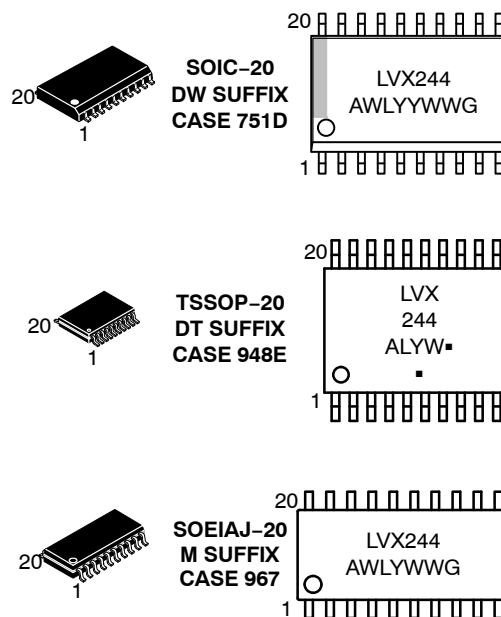
- High Speed:  $t_{PD} = 4.7$  ns (Typ) at  $V_{CC} = 3.3$  V
- Low Power Dissipation:  $I_{CC} = 4$   $\mu$ A (Max) at  $T_A = 25^\circ$ C
- Power Down Protection Provided on Inputs
- Balanced Propagation Delays
- Low Noise:  $V_{OLP} = 0.8$  V (Max)
- Pin and Function Compatible with Other Standard Logic Families
- Latchup Performance Exceeds 300 mA
- ESD Performance:
  - Human Body Model > 2000 V;
  - Machine Model > 200 V
- These Devices are Pb-Free and are RoHS Compliant



ON Semiconductor®

<http://onsemi.com>

#### MARKING DIAGRAMS



LVX244 = Specific Device Code  
A = Assembly Location  
WL, L = Wafer Lot  
Y = Year  
WW, W = Work Week  
G or ▪ = Pb-Free Package

(Note: Microdot may be in either location)

#### ORDERING INFORMATION

See detailed ordering and shipping information in the package dimensions section on page 2 of this data sheet.

# MC74LVX244

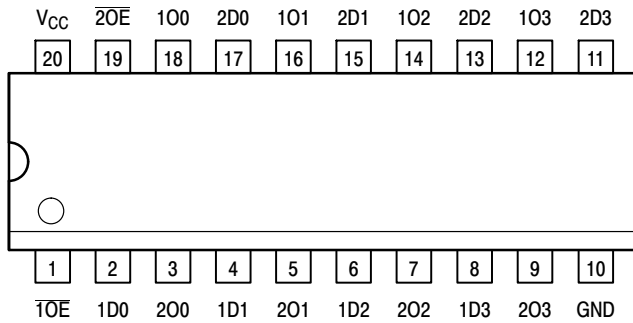


Figure 1. 20-Lead Pinout (Top View)

## PIN NAMES

| Pins             | Function             |
|------------------|----------------------|
| $\overline{nOE}$ | Output Enable Inputs |
| 1Dn, 2Dn         | Data Inputs          |
| 1On, 2On         | 3-State Outputs      |

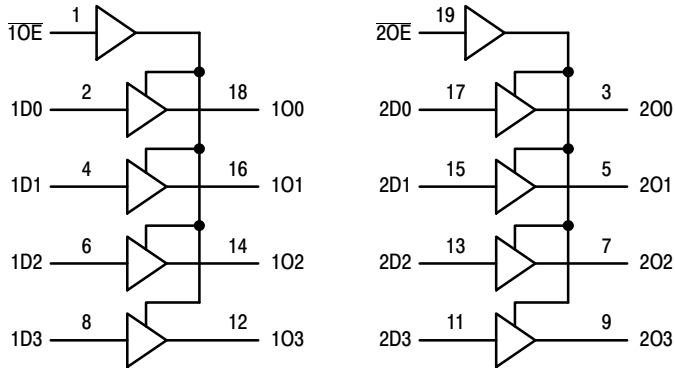


Figure 2. Logic Diagram

## FUNCTION TABLE

| INPUTS                           |          | OUTPUTS  |
|----------------------------------|----------|----------|
| $\overline{1OE}, \overline{2OE}$ | 1Dn, 2Dn | 1On, 2On |
| L                                | L        | L        |
| L                                | H        | H        |
| H                                | X        | Z        |

## ORDERING INFORMATION

| Device          | Package              | Shipping <sup>†</sup> |
|-----------------|----------------------|-----------------------|
| MC74LVX244DWR2G | SOIC-20<br>(Pb-Free) | 1000 Tape & Reel      |
| MC74LVX244DTG   | TSSOP-20*            | 50 Units / Rail       |
| MC74LVX244DTR2G | TSSOP-20*            | 2500 Tape & Reel      |
| MC74LVX244MG    | SOEIAJ-20            | 50 Units / Rail       |
| MC74LVX244MELG  | SOEIAJ-20            | 2000 Tape & Reel      |

<sup>†</sup>For information on tape and reel specifications, including part orientation and tape sizes, please refer to our Tape and Reel Packaging Specifications Brochure, BRD8011/D.

\*This package is inherently Pb-Free.

# MC74LVX244

## MAXIMUM RATINGS

| Symbol           | Parameter                                       | Value                        | Unit |
|------------------|---|------------------------------|------|
| V <sub>CC</sub>  | DC Supply Voltage                               | -0.5 to +7.0                 | V    |
| V <sub>in</sub>  | DC Input Voltage                                | -0.5 to +7.0                 | V    |
| V <sub>out</sub> | DC Output Voltage                               | -0.5 to V <sub>CC</sub> +0.5 | V    |
| I <sub>IK</sub>  | Input Diode Current                             | -20                          | mA   |
| I <sub>OK</sub>  | Output Diode Current                            | ±20                          | mA   |
| I <sub>out</sub> | DC Output Current, per Pin                      | ±25                          | mA   |
| I <sub>CC</sub>  | DC Supply Current, V <sub>CC</sub> and GND Pins | ±75                          | mA   |
| P <sub>D</sub>   | Power Dissipation                               | 180                          | mW   |
| T <sub>stg</sub> | Storage Temperature                             | -65 to +150                  | °C   |

Maximum ratings are those values beyond which device damage can occur. Maximum ratings applied to the device are individual stress limit values (not normal operating conditions) and are not valid simultaneously. If these limits are exceeded, device functional operation is not implied, damage may occur and reliability may be affected.

## RECOMMENDED OPERATING CONDITIONS

| Symbol           | Parameter                                | Min | Max             | Unit |
|------------------|--|-----|-----------------|------|
| V <sub>CC</sub>  | DC Supply Voltage                        | 2.0 | 3.6             | V    |
| V <sub>in</sub>  | DC Input Voltage                         | 0   | 5.5             | V    |
| V <sub>out</sub> | DC Output Voltage                        | 0   | V <sub>CC</sub> | V    |
| T <sub>A</sub>   | Operating Temperature, All Package Types | -40 | +85             | °C   |
| Δt/ΔV            | Input Rise and Fall Time                 | 0   | 100             | ns/V |

## DC ELECTRICAL CHARACTERISTICS

| Symbol          | Parameter  | Test Conditions   | V <sub>CC</sub><br>V | T <sub>A</sub> = 25°C |     |           | T <sub>A</sub> = -40 to 85°C |      | Unit |
|-----------------|--|---|----------------------|-----------------------|-----|-----------|------------------------------|------|------|
|                 |  |   |                      | Min                   | Typ | Max       | Min                          | Max  |      |
| V <sub>IH</sub> | High-Level Input Voltage   |   | 2.0                  | 1.5                   |     |           | 1.5                          |      | V    |
|                 |  |   | 3.0                  | 2.0                   |     |           | 2.0                          |      |      |
|                 |  |   | 3.6                  | 2.4                   |     |           | 2.4                          |      |      |
| V <sub>IL</sub> | Low-Level Input Voltage  |   | 2.0                  |                       |     | 0.5       |                              | 0.5  | V    |
|                 |  |   | 3.0                  |                       |     | 0.8       |                              | 0.8  |      |
|                 |  |   | 3.6                  |                       |     | 0.8       |                              | 0.8  |      |
| V <sub>OH</sub> | High-Level Output Voltage<br>(V <sub>in</sub> = V <sub>IH</sub> or V <sub>IL</sub> ) | I <sub>OH</sub> = -50μA<br>I <sub>OH</sub> = -50μA<br>I <sub>OH</sub> = -4mA                      | 2.0                  | 1.9                   | 2.0 |           | 1.9                          |      | V    |
|                 |  |   | 3.0                  | 2.9                   | 3.0 |           | 2.9                          |      |      |
|                 |  |   | 3.0                  | 2.58                  |     |           | 2.48                         |      |      |
| V <sub>OL</sub> | Low-Level Output Voltage<br>(V <sub>in</sub> = V <sub>IH</sub> or V <sub>IL</sub> )  | I <sub>OL</sub> = 50μA<br>I <sub>OL</sub> = 50μA<br>I <sub>OL</sub> = 4mA                         | 2.0                  |                       | 0.0 | 0.1       |                              | 0.1  | V    |
|                 |  |   | 3.0                  |                       | 0.0 | 0.1       |                              | 0.1  |      |
|                 |  |   | 3.0                  |                       |     | 0.36      |                              | 0.44 |      |
| I <sub>in</sub> | Input Leakage Current  | V <sub>in</sub> = 5.5V or GND   | 3.6                  |                       |     | ±0.1      |                              | ±1.0 | μA   |
| I <sub>OZ</sub> | Maximum 3-State Leakage Current  | V <sub>in</sub> = V <sub>IL</sub> or V <sub>IH</sub><br>V <sub>out</sub> = V <sub>CC</sub> or GND | 3.6                  |                       |     | ±0.2<br>5 |                              | ±2.5 | μA   |
| I <sub>CC</sub> | Quiescent Supply Current   | V <sub>in</sub> = V <sub>CC</sub> or GND  | 3.6                  |                       |     | 4.0       |                              | 40.0 | μA   |

# MC74LVX244

## AC ELECTRICAL CHARACTERISTICS (Input $t_r = t_f = 3.0\text{ns}$ )

| Symbol                                   | Parameter                                      | Test Conditions   | T <sub>A</sub> = 25°C |      |      | T <sub>A</sub> = - 40 to 85°C |      | Unit |
|--|--|---|-----------------------|------|------|-------------------------------|------|------|
|  |  |   | Min                   | Typ  | Max  | Min                           | Max  |      |
| t <sub>PLH</sub> ,<br>t <sub>PHL</sub>   | Propagation Delay<br>Input to Output           | V <sub>CC</sub> = 2.7V      C <sub>L</sub> = 15pF       |                       | 6.1  | 11.4 | 1.0                           | 13.5 | ns   |
|  |  | C <sub>L</sub> = 50pF                                   |                       | 8.6  | 14.9 | 1.0                           | 17.0 |      |
|  |  | V <sub>CC</sub> = 3.3 ± 0.3V      C <sub>L</sub> = 15pF |                       | 4.7  | 7.1  | 1.0                           | 8.5  |      |
|  |  | C <sub>L</sub> = 50pF                                   |                       | 7.2  | 10.6 | 1.0                           | 12.0 |      |
| t <sub>PZL</sub> ,<br>t <sub>PZH</sub>   | Output Enable Time to<br>High and Low Level    | V <sub>CC</sub> = 2.7V      C <sub>L</sub> = 15pF       |                       | 7.1  | 13.8 | 1.0                           | 16.5 | ns   |
|  |  | R <sub>L</sub> = 1kΩ            C <sub>L</sub> = 50pF   |                       | 9.6  | 17.3 | 1.0                           | 20.0 |      |
|  |  | V <sub>CC</sub> = 3.3 ± 0.3V      C <sub>L</sub> = 15pF |                       | 5.5  | 8.8  | 1.0                           | 10.5 |      |
|  |  | R <sub>L</sub> = 1kΩ            C <sub>L</sub> = 50pF   |                       | 8.0  | 12.3 | 1.0                           | 14.0 |      |
| t <sub>PLZ</sub> ,<br>t <sub>PHZ</sub>   | Output Disable Time From<br>High and Low Level | V <sub>CC</sub> = 2.7V      C <sub>L</sub> = 50pF       |                       | 11.6 | 16.0 | 1.0                           | 19.0 | ns   |
|  |  | R <sub>L</sub> = 1kΩ                                    |                       |      |      |                               |      |      |
|  |  | V <sub>CC</sub> = 3.3 ± 0.3V      C <sub>L</sub> = 50pF |                       | 9.7  | 11.4 | 1.0                           | 13.0 |      |
|  |  | R <sub>L</sub> = 1kΩ                                    |                       |      |      |                               |      |      |
| t <sub>OSSL</sub> ,<br>t <sub>OSLH</sub> | Output-to-Output Skew<br>(Note 1)              | V <sub>CC</sub> = 2.7V      C <sub>L</sub> = 50pF       |                       |      | 1.5  |                               | 1.5  | ns   |
|  |  | V <sub>CC</sub> = 3.3 ± 0.3V      C <sub>L</sub> = 50pF |                       |      | 1.5  |                               | 1.5  |      |

1. Skew is defined as the absolute value of the difference between the actual propagation delay for any two separate outputs of the same device. The specification applies to any outputs switching in the same direction, either HIGH-to-LOW (t<sub>OSSL</sub>) or LOW-to-HIGH (t<sub>OSLH</sub>); parameter guaranteed by design.

## CAPACITIVE CHARACTERISTICS

| Symbol           | Parameter                              | T <sub>A</sub> = 25°C |     |     | T <sub>A</sub> = - 40 to 85°C |     | Unit |
|------------------|--|-----------------------|-----|-----|-------------------------------|-----|------|
|                  |  | Min                   | Typ | Max | Min                           | Max |      |
| C <sub>in</sub>  | Input Capacitance                      |                       | 4   | 10  |                               | 10  | pF   |
| C <sub>out</sub> | Maximum Three-State Output Capacitance |                       | 6   |     |                               |     | pF   |
| C <sub>PD</sub>  | Power Dissipation Capacitance (Note 2) |                       | 19  |     |                               |     | pF   |

2. C<sub>PD</sub> is defined as the value of the internal equivalent capacitance which is calculated from the operating current consumption without load. Average operating current can be obtained by the equation: I<sub>CC(OPR)</sub> = C<sub>PD</sub> • V<sub>CC</sub> • f<sub>in</sub> + I<sub>CC</sub>/8 (per bit). C<sub>PD</sub> is used to determine the no-load dynamic power consumption; P<sub>D</sub> = C<sub>PD</sub> • V<sub>CC</sub><sup>2</sup> • f<sub>in</sub> + I<sub>CC</sub> • V<sub>CC</sub>.

## NOISE CHARACTERISTICS (Input $t_r = t_f = 3.0\text{ns}$ , C<sub>L</sub> = 50pF, V<sub>CC</sub> = 3.3V, Measured in SOIC Package)

| Symbol           | Characteristic                               | T <sub>A</sub> = 25°C |      | Unit |
|------------------|--|-----------------------|------|------|
|                  |  | Typ                   | Max  |      |
| V <sub>OLP</sub> | Quiet Output Maximum Dynamic V <sub>OL</sub> | 0.5                   | 0.8  | V    |
| V <sub>OLV</sub> | Quiet Output Minimum Dynamic V <sub>OL</sub> | -0.5                  | -0.8 | V    |
| V <sub>IHD</sub> | Minimum High Level Dynamic Input Voltage     |                       | 2.0  | V    |
| V <sub>ILD</sub> | Maximum Low Level Dynamic Input Voltage      |                       | 0.8  | V    |

# MC74LVX244

## SWITCHING WAVEFORMS

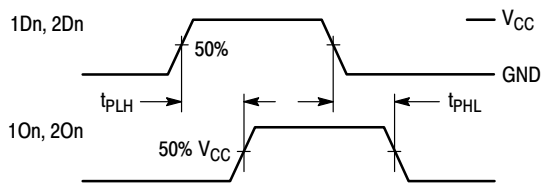


Figure 3.

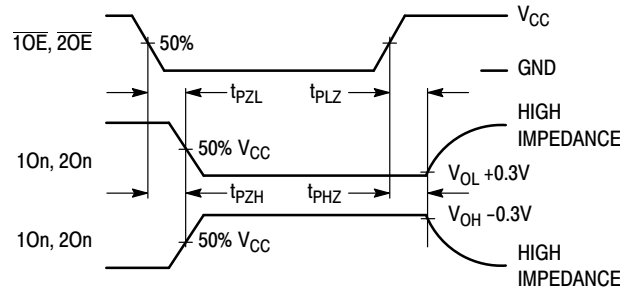
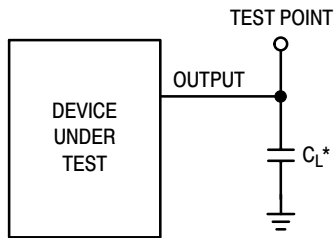


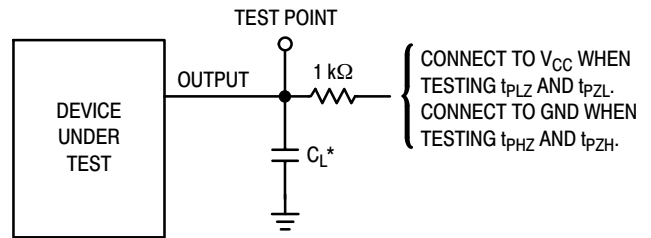
Figure 4.

## TEST CIRCUITS



\*Includes all probe and jig capacitance

Figure 5. Propagation Delay Test Circuit



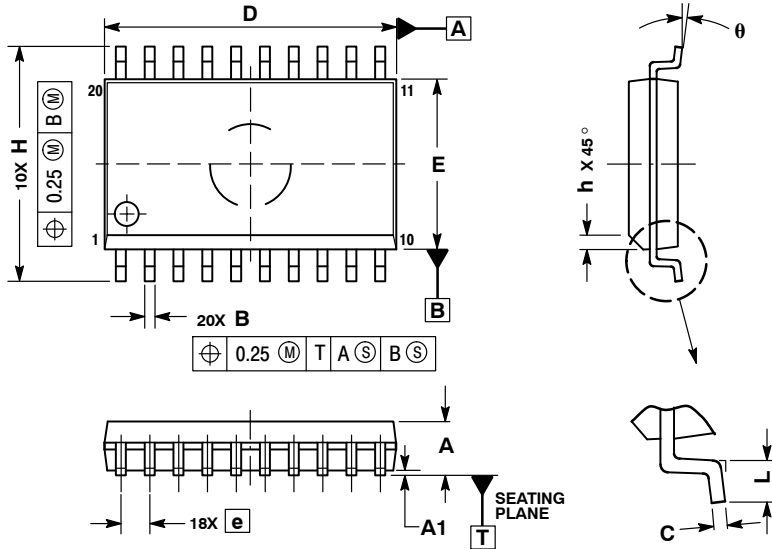
\*Includes all probe and jig capacitance

Figure 6. Three-State Test Circuit

# MC74LVX244

## PACKAGE DIMENSIONS

SOIC-20  
CASE 751D-05  
ISSUE G

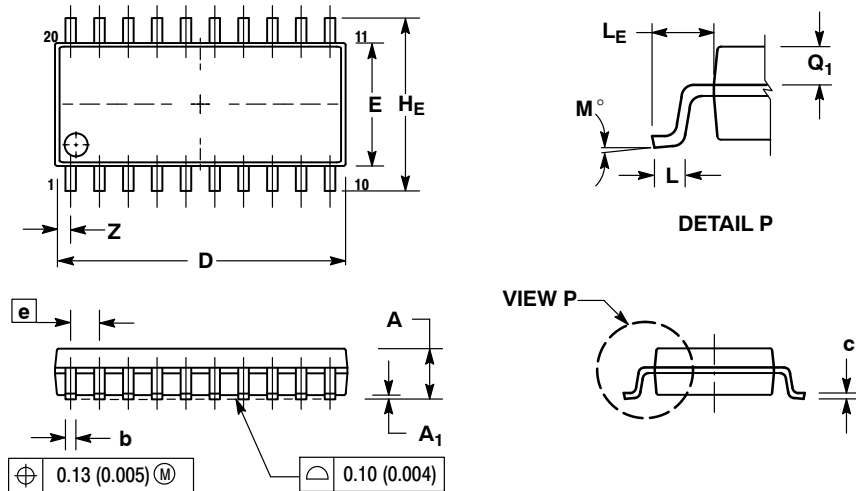


NOTES:

1. DIMENSIONS ARE IN MILLIMETERS.
2. INTERPRET DIMENSIONS AND TOLERANCES PER ASME Y14.5M, 1994.
3. DIMENSIONS D AND E DO NOT INCLUDE MOLD PROTRUSION.
4. MAXIMUM MOLD PROTRUSION 0.15 PER SIDE.
5. DIMENSION B DOES NOT INCLUDE DAMBAR PROTRUSION. ALLOWABLE PROTRUSION SHALL BE 0.13 TOTAL IN EXCESS OF B DIMENSION AT MAXIMUM MATERIAL CONDITION.

| DIM   | MILLIMETERS |       |
|-------|-------------|-------|
|       | MIN         | MAX   |
| A     | 2.35        | 2.65  |
| A1    | 0.10        | 0.25  |
| B     | 0.35        | 0.49  |
| C     | 0.23        | 0.32  |
| D     | 12.65       | 12.95 |
| E     | 7.40        | 7.60  |
| e     | 1.27 BSC    |       |
| H     | 10.05       | 10.55 |
| h     | 0.25        | 0.75  |
| L     | 0.50        | 0.90  |
| theta | 0°          | 7°    |

SOEIAJ-20  
CASE 967-01  
ISSUE A



NOTES:

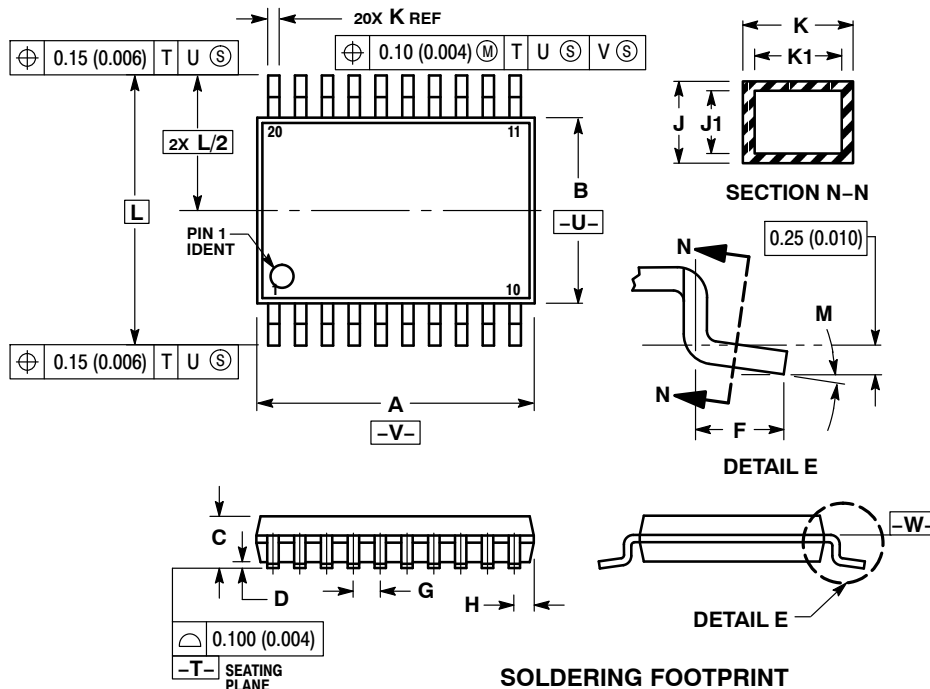
1. DIMENSIONING AND TOLERANCING PER ANSI Y14.5M, 1982.
2. CONTROLLING DIMENSION: MILLIMETER.
3. DIMENSIONS D AND E DO NOT INCLUDE MOLD FLASH OR PROTRUSIONS AND ARE MEASURED AT THE PARTING LINE. MOLD FLASH OR PROTRUSIONS SHALL NOT EXCEED 0.15 (0.006) PER SIDE.
4. TERMINAL NUMBERS ARE SHOWN FOR REFERENCE ONLY.
5. THE LEAD WIDTH DIMENSION (b) DOES NOT INCLUDE DAMBAR PROTRUSION. ALLOWABLE DAMBAR PROTRUSION SHALL BE 0.08 (0.003) TOTAL IN EXCESS OF THE LEAD WIDTH DIMENSION AT MAXIMUM MATERIAL CONDITION. DAMBAR CANNOT BE LOCATED ON THE LOWER RADIUS OR THE FOOT. MINIMUM SPACE BETWEEN PROTRUSIONS AND ADJACENT LEAD TO BE 0.46 (0.018).

| DIM | MILLIMETERS |       | INCHES    |       |
|-----|-------------|-------|-----------|-------|
|     | MIN         | MAX   | MIN       | MAX   |
| A   | ---         | 2.05  | ---       | 0.081 |
| A1  | 0.05        | 0.20  | 0.002     | 0.008 |
| b   | 0.35        | 0.50  | 0.014     | 0.020 |
| c   | 0.15        | 0.25  | 0.006     | 0.010 |
| D   | 12.35       | 12.80 | 0.486     | 0.504 |
| E   | 5.10        | 5.45  | 0.201     | 0.215 |
| e   | 1.27 BSC    |       | 0.050 BSC |       |
| H_E | 7.40        | 8.20  | 0.291     | 0.323 |
| L   | 0.50        | 0.85  | 0.020     | 0.033 |
| L_E | 1.10        | 1.50  | 0.043     | 0.059 |
| M   | 0°          | 10°   | 0°        | 10°   |
| Q_1 | 0.70        | 0.90  | 0.028     | 0.035 |
| Z   | ---         | 0.81  | ---       | 0.032 |

# MC74LVX244

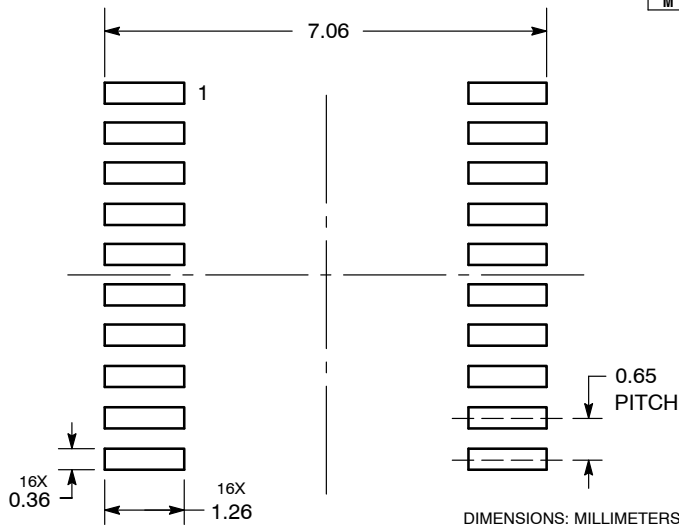
## PACKAGE DIMENSIONS

TSSOP-20  
CASE 948E-02  
ISSUE C



- NOTES:
1. DIMENSIONING AND TOLERANCING PER ANSI Y14.5M, 1982.
  2. CONTROLLING DIMENSION: MILLIMETER.
  3. DIMENSION A DOES NOT INCLUDE MOLD FLASH, PROTRUSIONS OR GATE BURRS. MOLD FLASH OR GATE BURRS SHALL NOT EXCEED 0.15 (0.006) PER SIDE.
  4. DIMENSION B DOES NOT INCLUDE INTERLEAD FLASH OR PROTRUSION. INTERLEAD FLASH OR PROTRUSION SHALL NOT EXCEED 0.25 (0.010) PER SIDE.
  5. DIMENSION K DOES NOT INCLUDE DAMBAR PROTRUSION. ALLOWABLE DAMBAR PROTRUSION SHALL BE 0.08 (0.003) TOTAL IN EXCESS OF THE K DIMENSION AT MAXIMUM MATERIAL CONDITION.
  6. TERMINAL NUMBERS ARE SHOWN FOR REFERENCE ONLY.
  7. DIMENSION A AND B ARE TO BE DETERMINED AT DATUM PLANE -W-.

| DIM | MILLIMETERS |      | INCHES    |       |
|-----|-------------|------|-----------|-------|
|     | MIN         | MAX  | MIN       | MAX   |
| A   | 6.40        | 6.60 | 0.252     | 0.260 |
| B   | 4.30        | 4.50 | 0.169     | 0.177 |
| C   | ---         | 1.20 | ---       | 0.047 |
| D   | 0.05        | 0.15 | 0.002     | 0.006 |
| F   | 0.50        | 0.75 | 0.020     | 0.030 |
| G   | 0.65 BSC    |      | 0.026 BSC |       |
| H   | 0.27        | 0.37 | 0.011     | 0.015 |
| J   | 0.09        | 0.20 | 0.004     | 0.008 |
| J1  | 0.09        | 0.16 | 0.004     | 0.006 |
| K   | 0.19        | 0.30 | 0.007     | 0.012 |
| K1  | 0.19        | 0.25 | 0.007     | 0.010 |
| L   | 6.40 BSC    |      | 0.252 BSC |       |
| M   | 0°          | 8°   | 0°        | 8°    |



ON Semiconductor and are registered trademarks of Semiconductor Components Industries, LLC (SCILLC). SCILLC reserves the right to make changes without further notice to any products herein. SCILLC makes no warranty, representation or guarantee regarding the suitability of its products for any particular purpose, nor does SCILLC assume any liability arising out of the application or use of any product or circuit, and specifically disclaims any and all liability, including without limitation special, consequential or incidental damages. "Typical" parameters which may be provided in SCILLC data sheets and/or specifications can and do vary in different applications and actual performance may vary over time. All operating parameters, including "Typicals" must be validated for each customer application by customer's technical experts. SCILLC does not convey any license under its patent rights nor the rights of others. SCILLC products are not designed, intended, or authorized for use as components in systems intended for surgical implant into the body, or other applications intended to support or sustain life, or for any other application in which the failure of the SCILLC product could create a situation where personal injury or death may occur. Should Buyer purchase or use SCILLC products for any such unintended or unauthorized application, Buyer shall indemnify and hold SCILLC and its officers, employees, subsidiaries, affiliates, and distributors harmless against all claims, costs, damages, and expenses, and reasonable attorney fees arising out of, directly or indirectly, any claim of personal injury or death associated with such unintended or unauthorized use, even if such claim alleges that SCILLC was negligent regarding the design or manufacture of the part. SCILLC is an Equal Opportunity/Affirmative Action Employer. This literature is subject to all applicable copyright laws and is not for resale in any manner.

### PUBLICATION ORDERING INFORMATION

**LITERATURE FULFILLMENT:**  
Literature Distribution Center for ON Semiconductor  
P.O. Box 5163, Denver, Colorado 80217 USA  
**Phone:** 303-675-2175 or 800-344-3860 Toll Free USA/Canada  
**Fax:** 303-675-2176 or 800-344-3867 Toll Free USA/Canada  
**Email:** orderlit@onsemi.com

**N. American Technical Support:** 800-282-9855 Toll Free  
USA/Canada  
**Europe, Middle East and Africa Technical Support:**  
Phone: 421 33 790 2910  
**Japan Customer Focus Center**  
Phone: 81-3-5773-3850

**ON Semiconductor Website:** [www.onsemi.com](http://www.onsemi.com)

**Order Literature:** <http://www.onsemi.com/orderlit>

For additional information, please contact your local Sales Representative



Компания «ЭлектроПласт» предлагает заключение долгосрочных отношений при поставках импортных электронных компонентов на взаимовыгодных условиях!

Наши преимущества:

- Оперативные поставки широкого спектра электронных компонентов отечественного и импортного производства напрямую от производителей и с крупнейших мировых складов;
- Поставка более 17-ти миллионов наименований электронных компонентов;
- Поставка сложных, дефицитных, либо снятых с производства позиций;
- Оперативные сроки поставки под заказ (от 5 рабочих дней);
- Экспресс доставка в любую точку России;
- Техническая поддержка проекта, помощь в подборе аналогов, поставка прототипов;
- Система менеджмента качества сертифицирована по Международному стандарту ISO 9001;
- Лицензия ФСБ на осуществление работ с использованием сведений, составляющих государственную тайну;
- Поставка специализированных компонентов (Xilinx, Altera, Analog Devices, Intersil, Interpoint, Microsemi, Aeroflex, Peregrine, Syfer, Eurofarad, Texas Instrument, Miteq, Cobham, E2V, MA-COM, Hittite, Mini-Circuits, General Dynamics и др.);

Помимо этого, одним из направлений компании «ЭлектроПласт» является направление «Источники питания». Мы предлагаем Вам помощь Конструкторского отдела:

- Подбор оптимального решения, техническое обоснование при выборе компонента;
- Подбор аналогов;
- Консультации по применению компонента;
- Поставка образцов и прототипов;
- Техническая поддержка проекта;
- Защита от снятия компонента с производства.



#### Как с нами связаться

**Телефон:** 8 (812) 309 58 32 (многоканальный)

**Факс:** 8 (812) 320-02-42

**Электронная почта:** [org@eplast1.ru](mailto:org@eplast1.ru)

**Адрес:** 198099, г. Санкт-Петербург, ул. Калинина, дом 2, корпус 4, литера А.