

# P1/P3 FLUIDIC CONTACT WITH VALVE



## Precision modular connectors to suit your application

Since its creation in Switzerland in 1946 the LEMO Group has been recognized as a global leader of circular Push-Pull connectors and connector solutions. Today LEMO and its affiliated companies, REDEL and COELVER, are active in more than 80 countries with the help of over 40 subsidiaries and distributors.

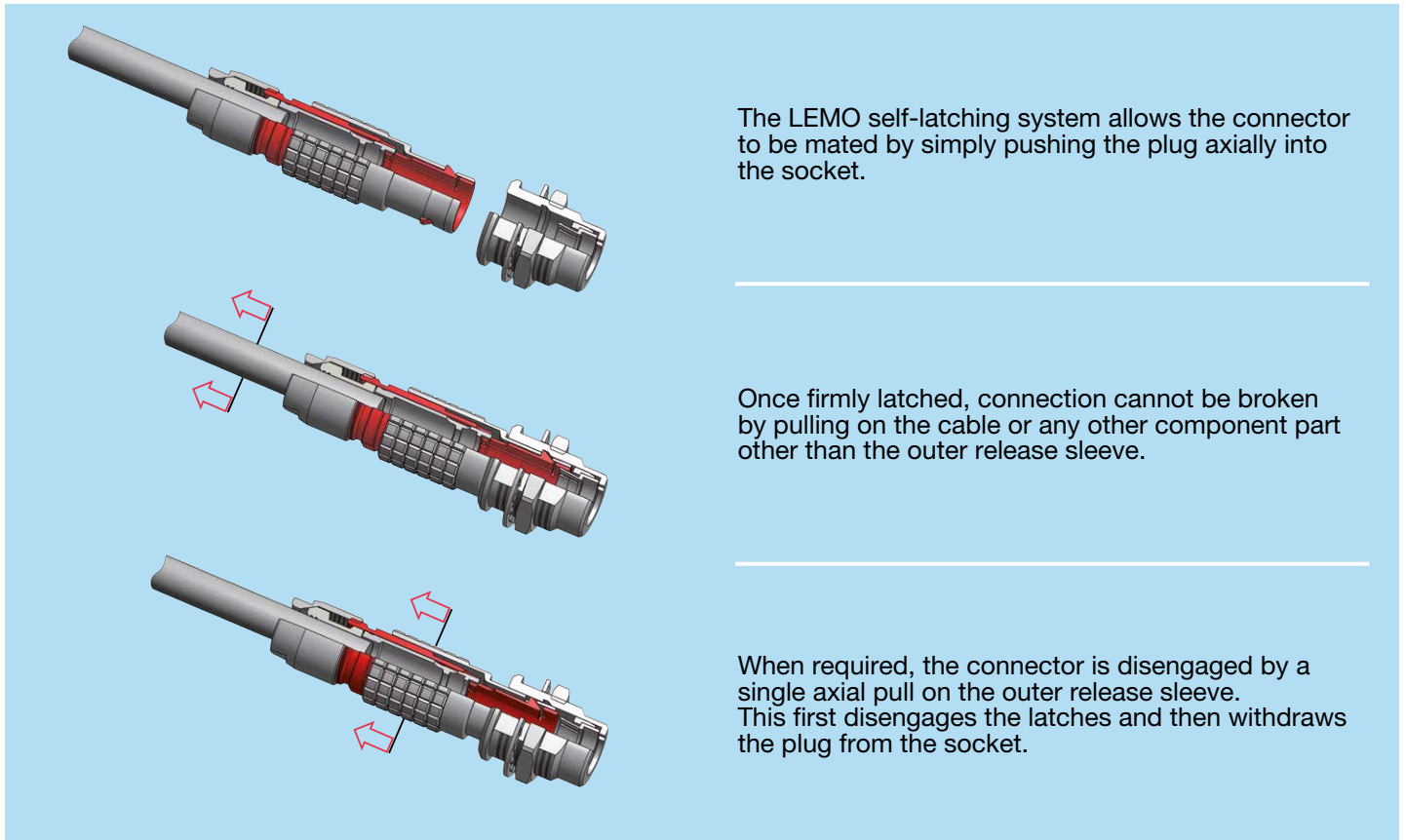
## Over 75000 connectors

The modular design of the LEMO range provides over 75000 connectors from miniature  $\varnothing$  3 mm to  $\varnothing$  50 mm, capable of handling cable diameters up to 30 mm and for up to 114 contacts.

This vast portfolio enables you to select the ideal connector configuration to suit almost any specific requirement in most markets, including medical devices, test and measurement instruments, machinery, audio video broadcast, telecommunications and military.

## LEMO's Push-Pull Self-Latching Connection System (not shown in this catalogue)


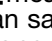
This self-latching system is renowned worldwide for its easy and quick mating and unmating features. It provides absolute security against vibration, shock or pull on the cable, and facilitates operation in a very limited space.



## UL Recognition

LEMO connectors are recognized by the Underwriters Laboratories (UL). The approval of the complete system (LEMO connector, cable and your equipment) will be easier because LEMO connectors are recognized.

## CE marking

CE marking  means that the appliance or equipment bearing it complies with the protection requirements of one or several European safety directives. CE marking  applies to complete products or equipment, **but not to electromechanical components, such as connectors.**

## RoHS

LEMO connector specifications conforms the requirements of the RoHS directive (2011/65/EU) of the European Parliament and the latest amendments. This directive specifies the restrictions of the use of hazardous substances in electrical and electronic equipment marketed in Europe.

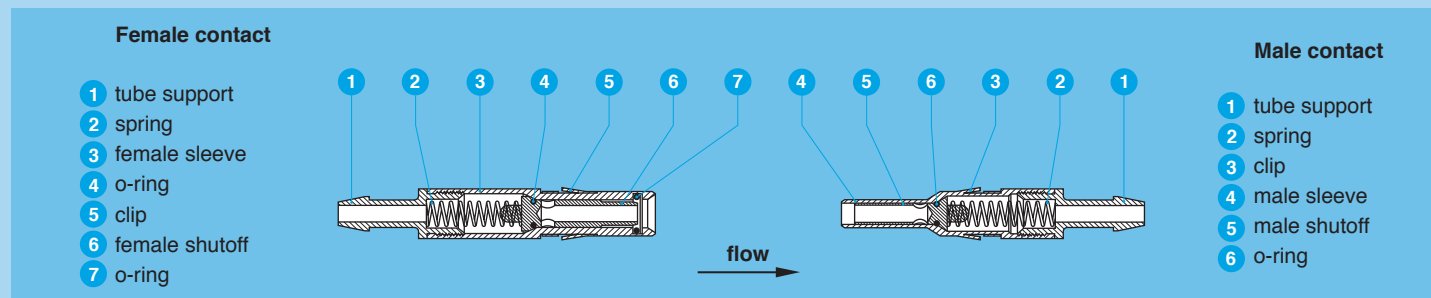
# P1/P3 Fluidic contact with valve

The P1 fluidic contact is designed to fit multi fluid connectors or mixed fluid/electrical connectors from 2B to 5B and 2K to 5K series. This new design includes a shut-off valve. It fits into all insert cavities that already accept the LEMO coaxial type «C» of contact. The P3 fluidic contact is designed to fit multi fluid connectors of the 5B and 5K series.

Its main features are:

- contacts with shut-off valve
  - maximum working pressure 6 bars
  - stainless alloy body
  - after mounting on tube, the contact is installed in the main insulator and retained with a metallic clip.
- The contact is fitted with FPM o-ring, it can be used with liquids or gas.

## Part Section Showing Internal Components



## Technical Characteristics

### Material and Treatment

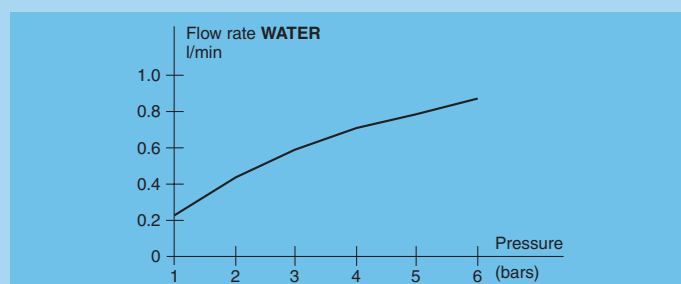
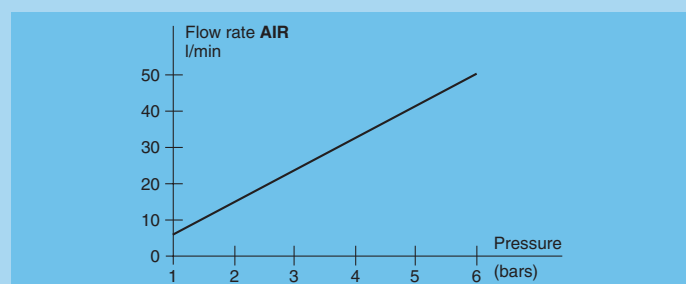
Components	Value
Body	Stainless steel
Valve	Alloy CuNiZn
Spring	Stainless steel
Clips	CuBe
O-ring	FPM

### Mechanical and Environmental

Characteristics	Value	Cont. type	Standard
Mating durability	1000 cycles	P1/P3	IEC 60512-5 test 9a
Temperature range	-20°C, +125°C	P1/P3	
Max. working pressure	6 bars	P1/P3	
Air flow rate at 6 bars	50 l/min	P1	
Water flow rate at 6 bars	0.80 l/min	P1	
Air flow rate at 6 bars	210 l/min	P3	
Water flow rate at 6 bars	4.20 l/min	P3	

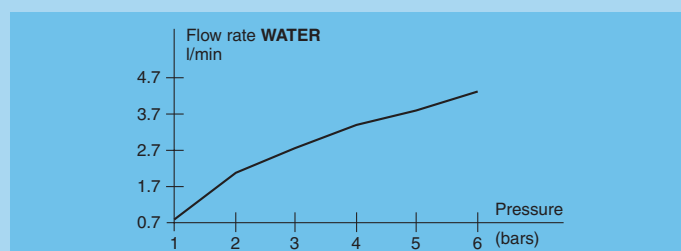
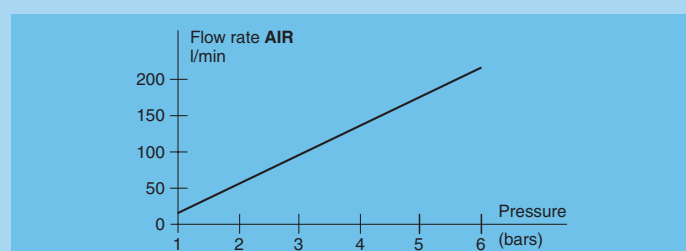
**Note:** flow direction is always from female contact to male contact.

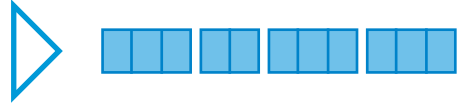
### Flow/pressure diagram P1 contact type



**Note:** test carried out with a 2 mm inner diameter tube.

### Flow/pressure diagram P3 contact type

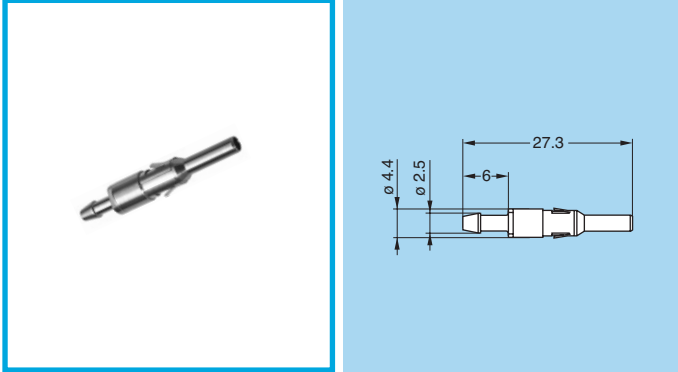




## Model - Fluidic Contact Type

### P1 contacts

#### FGG.P1 Male fluidic contact with valve

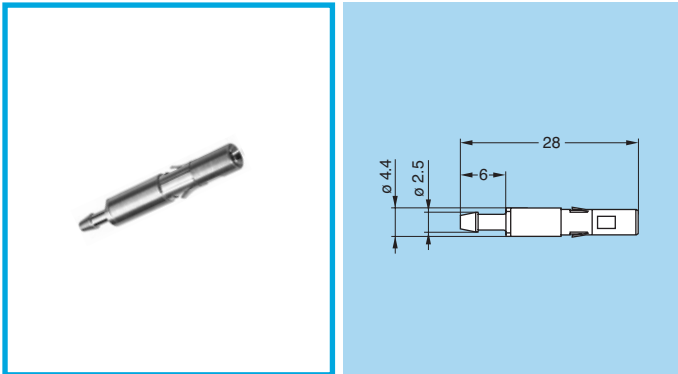


Part number

**FGG.P1.150.AC**V

**Note:** Connectors are delivered without the P1 contacts.

#### EGG.P1 Female fluidic contact with valve



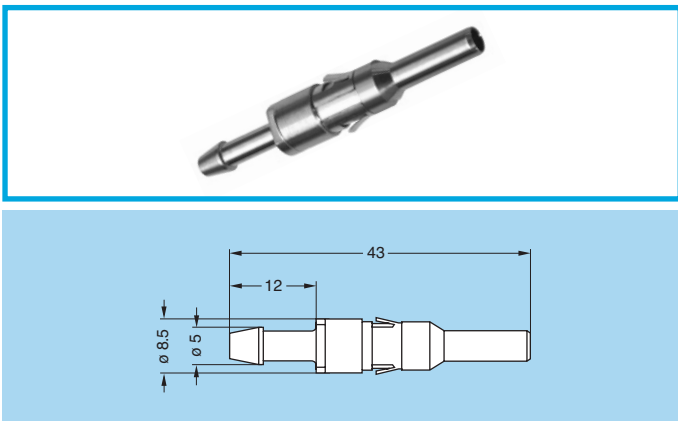
Part number

**EGG.P1.150.AC**V

**Note:** Connectors are delivered without the P1 contacts.

### P3 contacts

#### FGG.P3 Male fluidic contact with valve



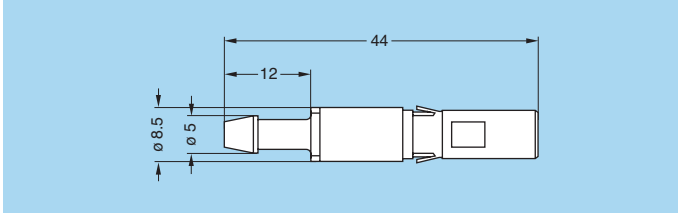
Part number

**FGG.P3.300.AC**V

**Note:** Connectors are delivered without the P3 contacts.



### EGG.P3 Female fluidic contact with valve



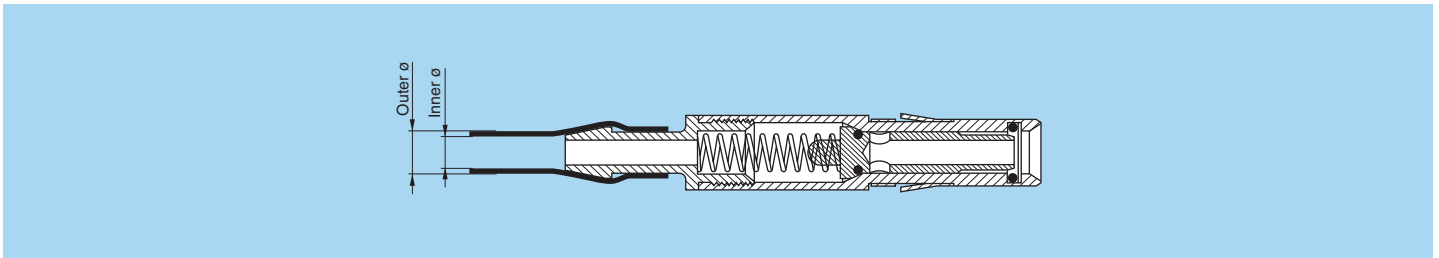
Part number

**EGG.P3.300.AC**V

**Note:** Connectors are delivered without the P3 contacts.

## Recommended tubing/hose

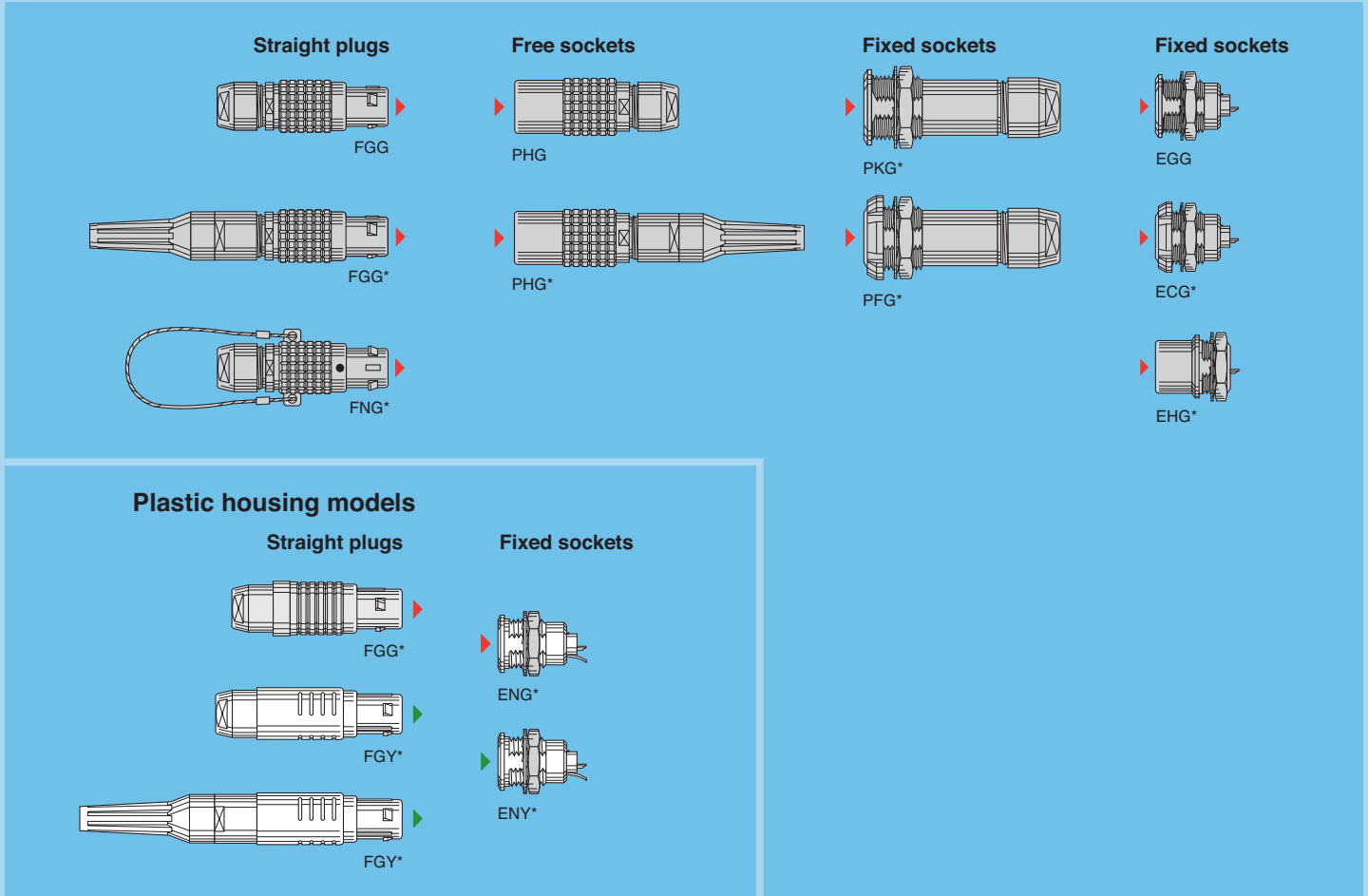
Series	Contact type	Diameter (mm)		Supplier	Material	Colour	Working temperature
		Outer $\varnothing$	Inner $\varnothing$				
2B, 3B, 2K, 3K	P1	4.0	2.0	Legris 1100P0400	Polyamide (nylon)	White	-20° C to 80° C
2B, 3B, 2K, 3K	P1	4.0	2.0	Legris 1100P0401	Polyamide (nylon)	Black	-20° C to 80° C
2B, 3B, 4B, 5B	P1	3.0	1.8	Legris 1025U030118	Polyurethane	Black	-20° C to 70° C
2K, 3K, 4K, 5K	P1	3.0	1.8	Legris 1025U030118	Polyurethane	Black	-20° C to 70° C
5B, 5K	P3	6.0	4.0	Legris 1100P0601	Polyamide (nylon)	Black	-20° C to 80° C



## 2B-5B Series

The P1 fluidic contact has been designed to work in the 2B to 5B series. The P3 contact has been designed to work in the 5B series. The main features of these series are as follows:

- security of the LEMO Push-Pull self-latching system
  - the alignment key (G, A...F, Y and R) ensures excellent repeatability of performance during frequent matings
  - the P1 fluidic contact allows hybrid configuration in the 2B series and multi fluid up to 10 channels in the 5B series.
- The possible outer cable diameters range from 4.0 to 25 mm.

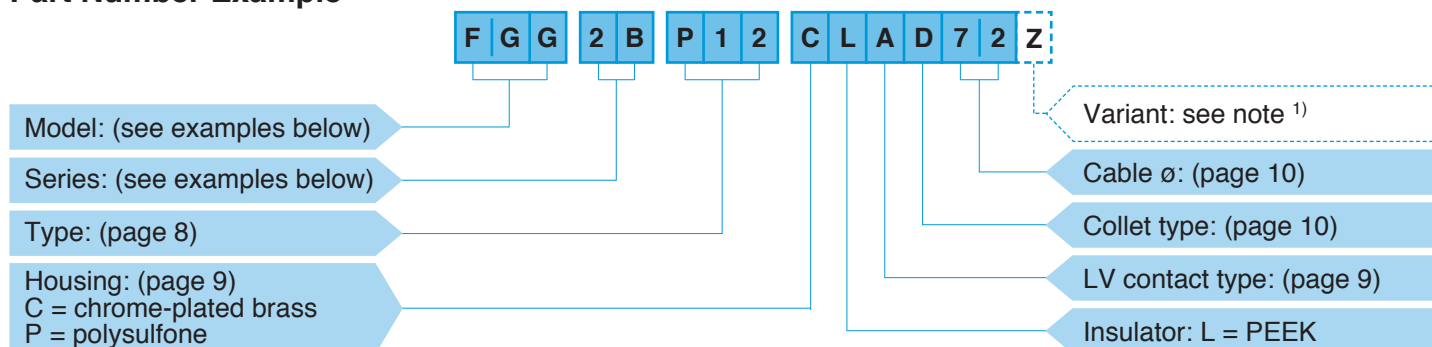


### Model Description

- |                                                                                                                                                                                                                                                                                                                                                                                                                                                                                                                                                                                                                                                              |                                                                                                                                                                                                                                                                                                                                                                                                                                                                                                                                                                                           |                                                                                                                                                                                                                                                                                    |
|--------------------------------------------------------------------------------------------------------------------------------------------------------------------------------------------------------------------------------------------------------------------------------------------------------------------------------------------------------------------------------------------------------------------------------------------------------------------------------------------------------------------------------------------------------------------------------------------------------------------------------------------------------------|-------------------------------------------------------------------------------------------------------------------------------------------------------------------------------------------------------------------------------------------------------------------------------------------------------------------------------------------------------------------------------------------------------------------------------------------------------------------------------------------------------------------------------------------------------------------------------------------|------------------------------------------------------------------------------------------------------------------------------------------------------------------------------------------------------------------------------------------------------------------------------------|
| <p><b>ECG</b> Fixed socket, with two nuts, key (G) or keys (A...F and R), (back panel mounting)</p> <p><b>EGG</b> Fixed socket, nut fixing, key (G) or keys (A...F and R)</p> <p><b>EHG</b> Fixed socket, nut fixing, key (G) or keys (A...F and R) with visible shell</p> <p><b>ENG</b> Fixed socket with grounding tab, nut fixing, key (G), PEEK outer shell</p> <p><b>ENY</b> Fixed socket with grounding tab, nut fixing, keys (Y), PSU or PPSU outer shell</p> <p><b>FGG</b> Straight plug, key (G) or keys (A...F and R) and cable collet</p> <p><b>FGG</b> Straight plug, key (G) or keys (A...F) cable collet and nut for fitting a bend relief</p> | <p><b>FGG</b> Straight plug, key (G), cable collet, PEEK outer shell</p> <p><b>FGY</b> Straight plug, keys (Y), cable collet and PSU or PPSU outer shell</p> <p><b>FGY</b> Straight plug, keys (Y), cable collet and PSU or PPSU outer shell and nut for fitting a bend relief</p> <p><b>FNG</b> Straight plug, key (G) or keys (A...F and R) and cable collet with lanyard release</p> <p><b>PFG</b> Fixed socket, with two nuts, key (G) or keys (A...F and R) and cable collet (back panel mounting)</p> <p><b>PHG</b> Free socket, key (G) or keys (A...F and R) and cable collet</p> | <p><b>PHG</b> Free socket, key (G) or keys (A...F) and cable collet and nut for fitting a bend relief</p> <p><b>PKG</b> Fixed socket, nut fixing, key (G) or keys (A...F and R) and cable collet</p> <p>* Not show in this catalogue. Refer to our catalogue unipole-multipole</p> |
|--------------------------------------------------------------------------------------------------------------------------------------------------------------------------------------------------------------------------------------------------------------------------------------------------------------------------------------------------------------------------------------------------------------------------------------------------------------------------------------------------------------------------------------------------------------------------------------------------------------------------------------------------------------|-------------------------------------------------------------------------------------------------------------------------------------------------------------------------------------------------------------------------------------------------------------------------------------------------------------------------------------------------------------------------------------------------------------------------------------------------------------------------------------------------------------------------------------------------------------------------------------------|------------------------------------------------------------------------------------------------------------------------------------------------------------------------------------------------------------------------------------------------------------------------------------|

Certain models and certain alignment key may not be available in all series. Please consult us.

## Part Number Example

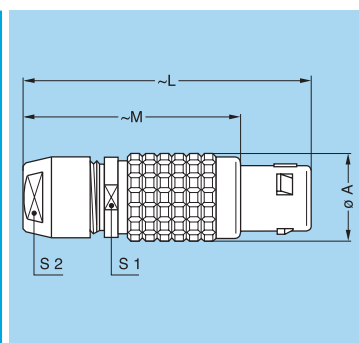


**FGG.2B.P12.CLAD72Z** = Straight plug with key (G), 2B series, mixed type to accept one P1 fluid contact and 4 low voltage electrical contacts, chrome-plated brass housing, PEEK insulator, 4 male solder electrical contacts, type D collet system to suit a 6.1 to 7.0 mm diameter cable, and a nut for fitting a bend relief.

**Note: Connectors are always delivered without fluidic contact.**

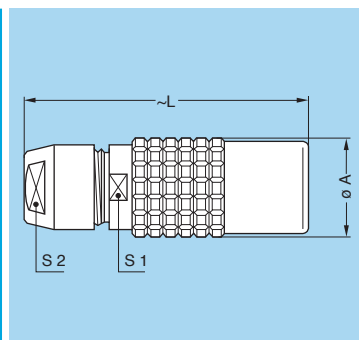
<sup>1)</sup> The «Variant» position in the reference is used to indicate the presence of a collet nut for fitting the bend relief. The bend relief must be ordered separately (see page 12).

### FGG Straight plug, key (G) or keys (A...F and R) and cable collet



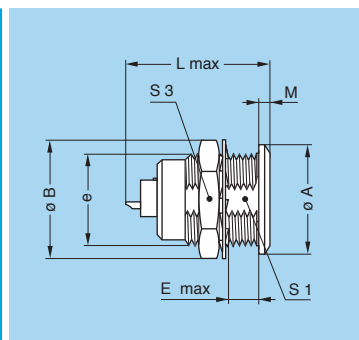
Reference		Dimensions (mm)				
Model	Series	A	L	M	S1	S2
FGG	2B	15	50	38	13	12
FGG	3B	18	58	43	15	14
FGG	4B	25	75	57	21	20
FGG	5B	35	103	78	31	30

### PHG Free socket, key (G) or keys (A...F and R) and cable collet



Reference		Dimensions (mm)			
Model	Series	A	L	S1	S2
PHG	2B	16.5	47.0	13	12
PHG	3B	19.0	56.0	15	14
PHG	4B	24.4	73.0	21	20
PHG	5B	34.2	99.0	31	30

### EGG Fixed socket, nut fixing, key (G) or keys (A...F and R)



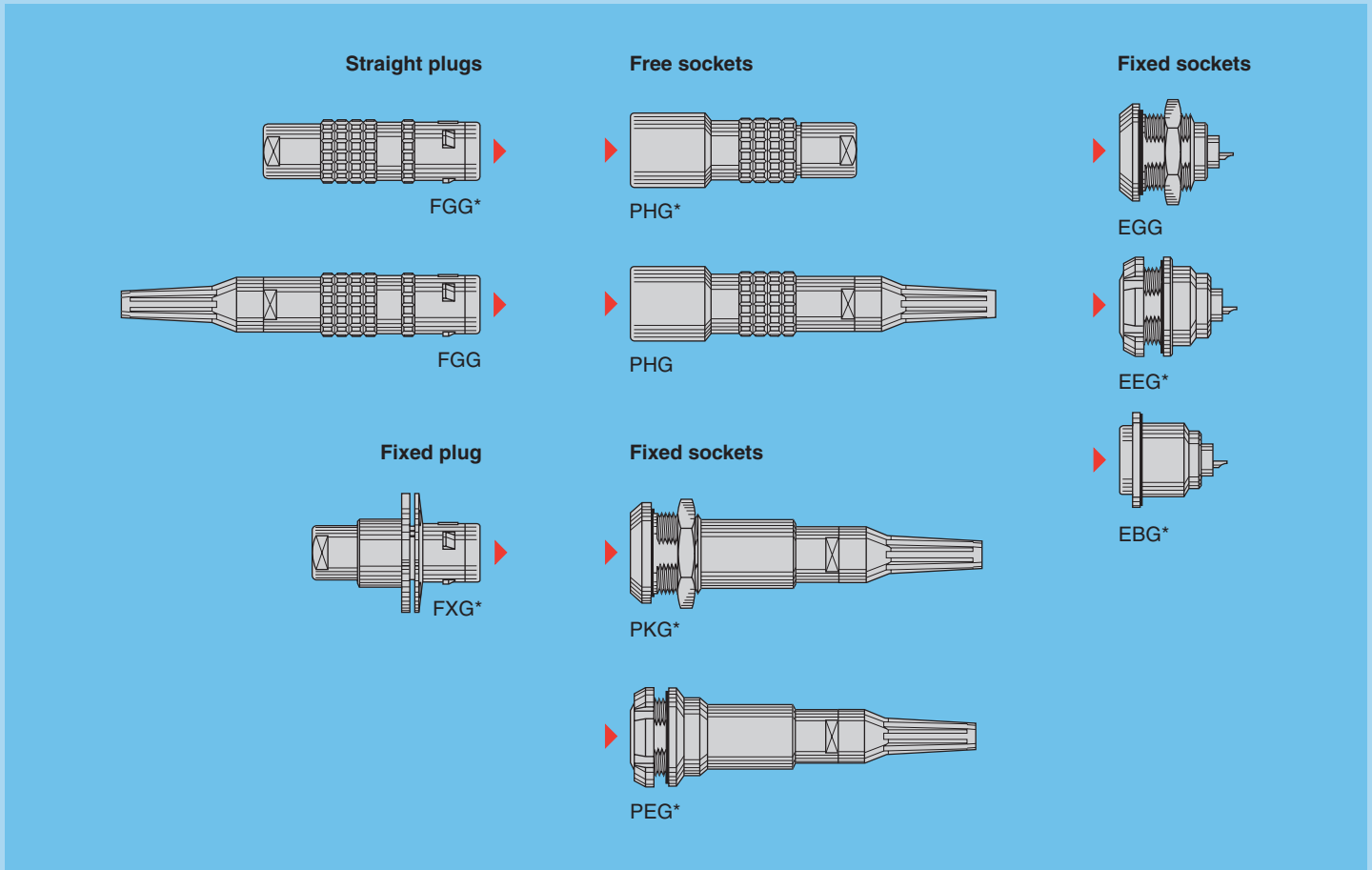
Reference		Dimensions (mm)							
Model	Series	A	B	e	E	L	M	S1	S3
EGG	2B	18	19.2	M15x1.0	8.5	28.8	1.8	13.5	17
EGG	3B	22	25.0	M18x1.0	11.5	30.0	2.0	16.5	22
EGG	4B	28	34.0	M25x1.0	12.0	34.5	2.5	23.5	30
EGG	5B	40	40.0	M35x1.0	11.0	36.5	3.0	33.5	–
EGG	5B <sup>1)</sup>	40	40.0	M35x1.0	11.0	45.9	3.0	33.5	–

**Note:** <sup>1)</sup> with P3 contact.

# 2K-5K Series

The P1 fluidic contact has been designed to work in the 2K-5K series. The P3 contact has been designed to work in the 5K series. The main features of these series are as follows:

- security of the LEMO Push-Pull self-latching system
  - specially designed for outdoors applications. All these models are waterproof when mated and reach a protection index of IP 66-IP 68, according to the IEC 60529 standard
  - the alignment key (G, A...F and R) ensures excellent repeatability of performance during frequent matings
  - the P1 fluidic contact allows hybrid configuration in the 2K series and multi fluid up to 10 channels in the 5K series.
- The 2K-5K series consists of ten models which will accept outer cable diameters ranging from 2.6 mm to 23.5 mm.



## Model Description

**EBG** Fixed socket with square flange, key (G) or keys (A...F and R), four holes fixing

**EEG** Fixed socket, nut fixing, key (G) or keys (A...F and R) (back panel mounting)

**EGG** Fixed socket, nut fixing, key (G) or keys (A...F and R)

**FGG** Straight plug, key (G) or keys (A...F and R), cable collet

**FGG** Straight plug, key (G) or keys (A...F and R), cable collet and nut for fitting a bend relief

**FXG** Fixed plug with round flange, four holes fixing, key (G) or keys (A...F and R)

**PEG** Fixed socket, nut fixing, key (G) or keys (A...F and R), cable collet and nut for fitting a bend relief (back panel mounting)

**PHG** Free socket, key (G) or keys (A...F and R), cable collet

**PHG** Free socket, key (G) or keys (A...F and R), cable collet and nut for fitting a bend relief

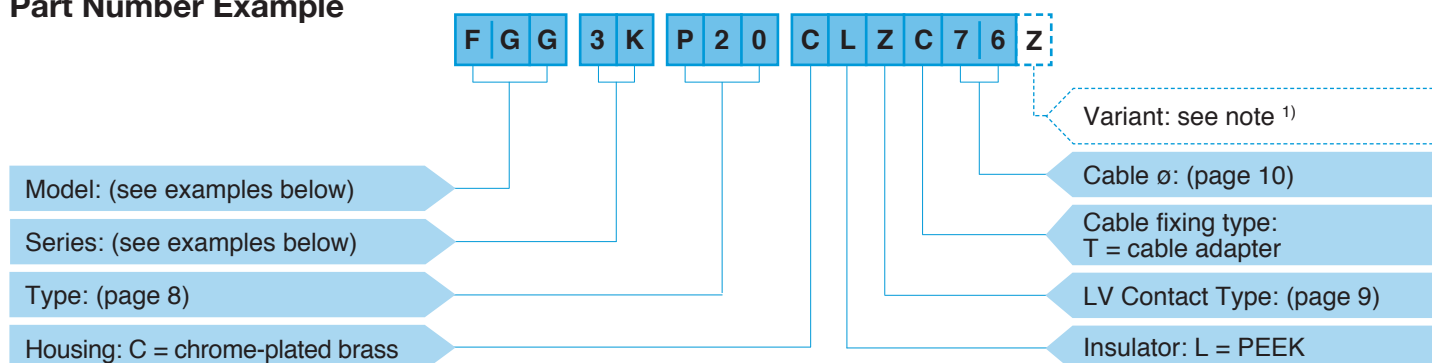
**PKG** Fixed socket, nut fixing, key (G) or keys (A...F and R), cable collet and nut for fitting a bend relief

\* Not show in this catalogue. Refer to our catalogue unipole-multipole

Certain models and certain alignment key may not be available in all series. Please consult us.



## Part Number Example

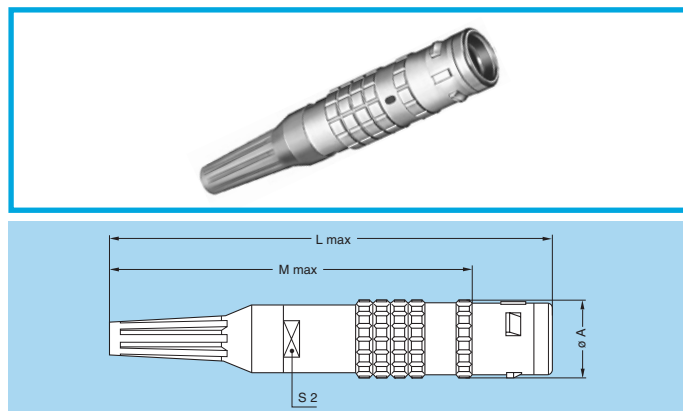


**FGG.3K.P20.CLZC76Z** = Straight plug with key (G), 3K series, multi fluid with 2 times P1 contacts, chrome-plated brass housing, PEEK insulator, C type collet for 7.5 mm diameter cable, and nut for fitting a bend relief.

**Note: Connectors are always delivered without fluidic contact.**

<sup>1)</sup> The «Variant» position in the reference is used to indicate the presence of a collet nut for fitting the bend relief. The bend relief must be ordered separately (see page 12).

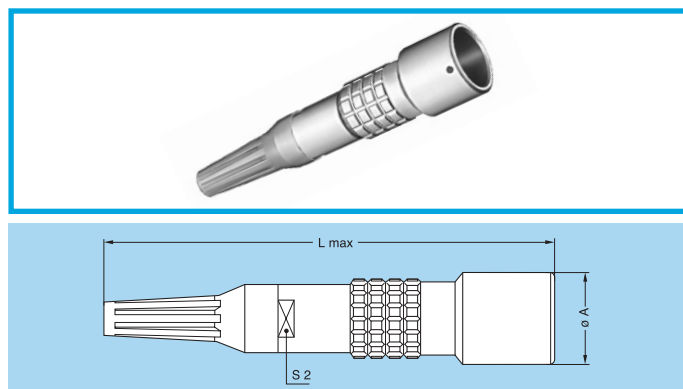
## FGG Straight plug, key (G) or keys (A...F and R), cable collet and nut for fitting a bend relief



Reference		Dimensions (mm)			
Model	Series	A	L	M	S2
FGG	2K	16	101	85.0	12
FGG	3K	19	109	89.0	15
FGG	4K	25	131	110.5	19
FGG	5K	38	160	135.0	30

**Note:** The overall length dimension is with bend relief

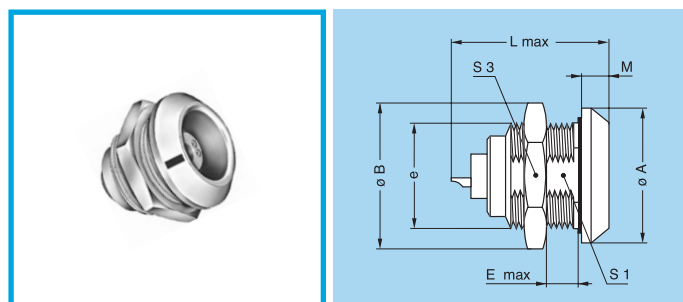
## PHG Free socket, key (G) or keys (A...F and R), cable collet and nut for fitting a bend relief



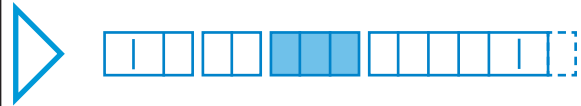
Reference		Dimensions (mm)		
Model	Series	A	L	S2
PHG	2K	19	103.0	12
PHG	3K	23	113.0	15
PHG	4K	29	135.5	19
PHG	5K	42	164.0	30

**Note:** The overall length dimension is with bend relief

## EGG Fixed socket, nut fixing, key (G) or keys (A...F and R)



Reference		Dimensions (mm)							
Model	Series	A	B	e	E	L	M	S1	S3
EGG	2K	25	27.0	M20x1.0	9	32.8	5.0	18.5	24
EGG	3K	31	34.0	M24x1.0	11	35.5	6.0	22.5	30
EGG	4K	37	40.5	M30x1.0	9	37.0	6.5	28.5	36
EGG	5K	55	54.0	M45x1.5	10	40.5	9.0	42.5	-



## Insert configuration

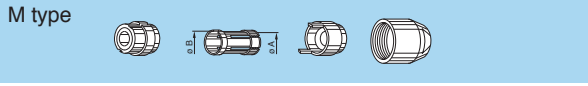
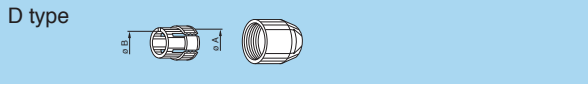
### Multi fluid and Mixed fluid + LV

		Fluidic contact						Low Voltage contact									
		Reference	Nb of fluidic tube	Type	Ext. $\phi$ of tube (see page 3)	Int. $\phi$ of tube (see page 3)	Max. working pressure (bars)	Contact No	$\phi$ A (mm)	Contact type		Solder contact		Crimp contact		Rated current (A)	
Male solder contacts	Female solder contacts									Solder	Crimp	Test voltage (kV rms) Contact-contact	Test voltage (kV rms) Contact-shell	Test voltage (kV rms) Contact-contact	Test voltage (kV rms) Contact-shell		
Male crimp contacts	Female crimp contacts																
<b>2B</b> <b>2K</b>			<b>P11</b>	1	P1	3.0 4.0	1.8 2.0	6	2	0.9	●	●	1.75	1.60	1.85	1.60	9.0
			<b>P12</b>	1	P1	3.0 4.0	1.8 2.0	6	4	0.7	●	●	0.85	1.20	0.85	1.25	6.0
			<b>P13</b>	1	P1	3.0 4.0	1.8 2.0	6	6	0.7	●	●	0.85	1.20	0.85	1.25	6.0
			<b>P15</b>	1	P1	3.0 4.0	1.8 2.0	6	10	0.7	●	●	1.15	1.35	1.30	1.05	6.0
<b>3B</b> <b>3K</b>			<b>P20</b>	2	P1	3.0 4.0	1.8 2.0	6	-	-	-	-	-	-	-	-	-
			<b>P22</b>	2	P1	3.0 4.0	1.8 2.0	6	4	0.9	●	●	1.20	1.05	1.00	0.80	8.0
			<b>P23</b>	2	P1	3.0 4.0	1.8 2.0	6	6	0.9	●	●	1.20	1.05	1.00	0.80	8.0
			<b>P25</b>	2	P1	3.0 4.0	1.8 2.0	6	10	0.7	●	●	0.95	0.75	0.85	0.65	6.0
			<b>P28</b>	2	P1	3.0 4.0	1.8 2.0	6	16	0.7	●	●	0.80	0.70	0.80	0.75	5.5
<b>4B</b> <b>4K</b>			<b>P40</b>	4	P1	3.0	1.8	6	-	-	-	-	-	-	-	-	-
			<b>P49</b>	4	P1	3.0	1.8	6	9	0.7	●	●	1.00	1.00	0.80	0.80	8
			<b>P33</b>	3	P1	3.0	1.8	6	6	0.7	●	●	0.90	0.95	0.80	0.80	8
			<b>P36</b>	3	P1	3.0	1.8	6	12	0.7	●	●	0.90	0.95	0.80	0.80	6
			<b>P26</b>	2	P1	3.0	1.8	6	12	0.9	●	●	0.95	0.85	0.90	1.20	10
			<b>P28</b>	2	P1	3.0	1.8	6	16	0.9	●	●	0.95	0.85	0.85	0.85	10
			<b>P29</b>	2	P1	3.0	1.8	6	18	0.7	●	●	0.90	0.95	0.85	0.75	8



# Collets (B and K series)

## D and M type collets for B series

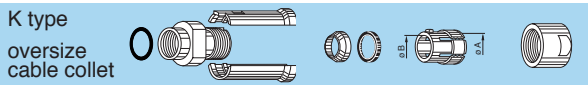
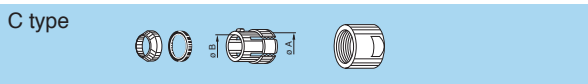


	Reference		Collet ø		Cable ø		Notes
	Type	Code	ø A	ø B	max.	min.	
<b>2B</b>	D	42	4.2	–	4.2	> 3.2	
	D	52	5.2	–	5.2	> 4.2	
	D	62	6.2	–	6.2	> 5.2	
	D	72	7.2	–	7.2	> 6.2	
	D	82	8.2	–	8.2	> 7.2	
	D	92	9.2	8.6	9.2	> 8.2	
	D	99	9.9	8.6	9.9	> 9.2	1)
	<b>3B</b>	M	52	5.2	–	5.2	> 4.2
D		62	6.2	–	6.2	4.9	
D		72	7.7	–	7.7	> 6.2	
D		92	9.2	–	9.2	> 7.7	
D		10	10.2	–	10.0	> 9.2	
D		11	11.0	–	11.0	> 10.1	
D		12	12.0	10.2	11.9	10.8	1)

	Reference		Collet ø		Cable ø		Notes
	Type	Code	ø A	ø B	max.	min.	
<b>4B</b>	M	62	6.2	–	6.2	4.9	
	M	72	7.2	–	7.7	> 6.2	
	M	92	9.2	8.6	9.2	> 7.7	
	D	10	10.8	–	10.5	9.1	
	D	12	12.3	–	12.0	10.6	
	D	13	13.8	12.5	13.5	12.1	
	D	15	15.3	12.5	15.0	13.6	
	D	16	16.3	12.5	16.0	15.1	1)
<b>5B</b>	D	11	11.8	–	11.5	9.6	
	D	13	13.8	–	13.5	11.6	
	D	15	15.8	–	15.5	13.6	
	D	17	17.8	–	17.5	15.6	1)
	D	19	19.8	–	19.5	17.6	1)
	D	21	21.8	–	21.5	19.6	1)
	D	23	23.8	21.8	23.5	21.6	1)
	D	25	25.3	21.8	25.0	23.6	1)

**Note:** all dimensions are in millimetres.  
 1) these collets cannot be used for connector models with nut for fitting a bend relief.

## C and K type collets for K series



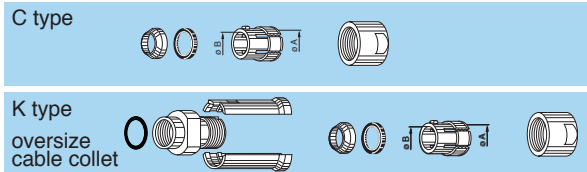
	Reference		Collet ø		Cable ø	
	Type	Code	ø A	ø B	max.	min.
<b>2K</b>	C	35	4.2	–	3.5	3.1
	C	40	4.2	–	4.0	3.6
	C	45	5.2	–	4.5	4.1
	C	50	5.2	–	5.0	4.6
	C	55	6.2	–	5.5	5.1
	C	60	6.2	–	6.0	5.6
	C	65	7.2	–	6.5	6.1
	C	70	7.2	–	7.0	6.6

	Reference		Collet ø		Cable ø	
	Type	Code	ø A	ø B	max.	min.
<b>2K</b>	C	75	8.2	8.2	7.5	7.1
	C	80	8.2	8.2	8.0	7.6
	C	85	9.2	8.6	8.5	8.1
	K	90	9.2	–	9.0	8.6
	K	95	10.2	10.2	9.5	9.1
	K	10	10.2	10.2	10.0	9.6
	K	11	11.2	10.6	10.5	10.1

**Note:** all dimensions are in millimetres.



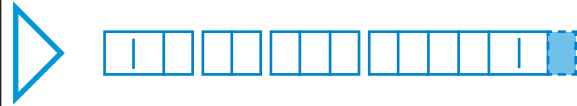
### C and K type collets for K series



	Reference		Collet ø		Cable ø	
	Type	Code	ø A	ø B	max.	min.
<b>3K</b>	C	30	3.2	–	3.0	2.6
	C	35	4.2	–	3.5	3.1
	C	40	4.2	–	4.0	3.6
	C	45	5.2	–	4.5	4.1
	C	50	5.2	–	5.0	4.6
	C	55	6.2	–	5.5	5.1
	C	60	6.2	–	6.0	5.6
	C	65	7.2	–	6.5	6.1
	C	70	7.2	–	7.0	6.6
	C	75	8.2	–	7.5	7.1
	C	80	8.2	–	8.0	7.6
	C	85	9.2	–	8.5	8.1
	C	90	9.2	–	9.0	8.6
	C	95	10.2	10.2	9.5	9.1
	C	10	10.2	10.2	10.0	9.6
C	11	11.2	10.6	10.5	10.1	
K	11	12.3	–	12.0	10.6	
K	12	13.8	13.8	12.8	12.1	
K	13	13.8	13.8	13.5	12.9	
K	14	15.3	15.3	14.0	13.6	
K	15	15.3	15.3	15.0	14.1	
<b>4K</b>	C	50	6.3	–	5.0	4.6
	C	55	6.3	–	5.5	5.1
	C	60	6.3	–	6.0	5.6
	C	65	7.3	–	6.5	6.1
	C	70	7.3	–	7.0	6.6
	C	75	8.3	–	7.5	7.1
	C	80	8.3	–	8.0	7.6
	C	85	9.3	–	8.5	8.1
	C	90	9.3	–	9.0	8.6
	C	95	10.8	–	9.5	9.1
	C	10	10.8	–	10.5	9.6
	C	11	12.3	–	12.0	10.6
	C	12	13.8	13.8	12.8	12.1
	C	13	13.8	13.8	13.5	12.9

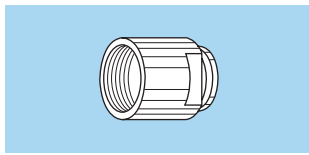
	Reference		Collet ø		Cable ø	
	Type	Code	ø A	ø B	max.	min.
<b>4K</b>	C	14	15.3	15.3	14.0	13.6
	C	15	15.3	15.3	15.0	14.1
	K	16	17.8	–	16.5	15.6
	K	17	17.8	–	17.5	16.6
	K	18	19.8	–	18.5	17.6
	K	19	19.8	–	19.5	18.6
	K	20	21.8	–	20.5	19.6
	K	21	21.8	–	21.5	20.6
	K	22	23.8	23.8	22.5	21.6
	K	23	23.8	23.8	23.5	22.6
<b>5K</b>	C	10	11.8	–	10.5	9.6
	C	11	11.8	–	11.5	10.6
	C	12	13.8	–	12.5	11.6
	C	13	13.8	–	13.5	12.6
	C	14	15.8	–	14.5	13.6
	C	15	15.8	–	15.5	14.6
	C	16	17.8	–	16.5	15.6
	C	17	17.8	–	17.5	16.6
	C	18	19.8	–	18.5	17.6
	C	19	19.8	–	19.5	18.6
	C	20	21.8	–	20.5	19.6
	C	21	21.8	–	21.5	20.6
	C	22	23.8	23.8	22.5	21.6
C	23	23.8	23.8	23.5	22.6	

**Note:** all dimensions are in millimetres.

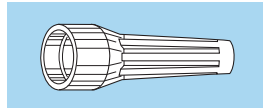


## Variant (B and K series)

### Bend relief for B series models with collet

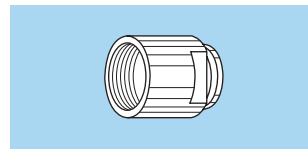


Need to be ordered

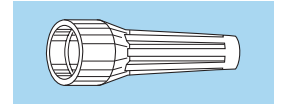


	Ref.	Collet		Need to be ordered separately
		Type	Code	
<b>2B</b>	Z	D	42 to 92	GMA.2B.●●●.●●
		M	52	GMA.1B.●●●.●●
<b>3B</b>	Z	D	62 to 10	GMA.3B.●●●.●●
		M	62 and 72	GMA.2B.●●●.●●
<b>4B</b>	Z	M	92	GMA.4B.●●●.●●
		M	10 to 15	GMA.4B.●●●.●●
		D	11 to 15	GMA.4B.●●●.●●

### Bend relief for K series models with collet



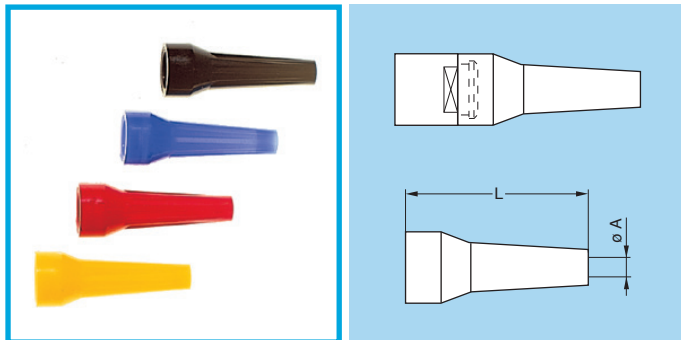
Need to be ordered



	Ref.	Collet		Need to be ordered separately
		Type	Code	
<b>2K</b>	Z	C	40 to 85	GMA.2B.●●●.●●
		K	90 to 10	GMA.3B.●●●.●●
<b>3K</b>	Z	C	40 to 10	GMA.3B.●●●.●●
		K	11 to 15	GMA.4B.●●●.●●
<b>4K</b>	Z	C	50 to 15	GMA.4B.●●●.●●

Note: All dimensions are in millimetres.

### GM Bend relief



A bend relief made from thermoplastic polyurethane elastomer can be fitted over LEMO plugs and sockets that are supplied with nut for fitting such bend relief.

They are available in nine different colours that match with the GRA insulating washers (see unipole-multipole catalog). Use the part numbers shown below to order this accessory separately.



### Main characteristics

- Material: TPU (Thermoplastic Polyurethane)
- Temperature range in dry atmosphere: -40°C +80°C

Part number	Dimensions (mm)				Series
	Bend relief		Cable ø		
	A	L	max.	min.	
<b>GMA.2B.040.DG</b>	4.0	36	4.5	4.0	2B-2K
<b>GMA.2B.045.DG</b>	4.5	36	5.0	4.5	2B-2K
<b>GMA.2B.060.DG</b>	6.0	36	6.5	6.0	2B-2K
<b>GMA.2B.070.DG</b>	7.0	63	7.7	7.0	2B-2K
<b>GMA.3B.060.DG</b>	6.0	42	6.9	6.0	3B-3K
<b>GMA.3B.070.DG</b>	7.0	42	7.9	7.0	3B-3K
<b>GMA.3B.080.DG</b>	8.0	42	8.9	8.0	3B-3K
<b>GMA.4B.011.DG</b>	11.0	60	11.9	11.0	4B-4K-5B
<b>GMA.4B.012.DG</b>	12.0	60	13.0	12.0	4B-4K-5B
<b>GMA.4B.013.DG</b>	13.5	60	14.5	13.5	4B-4K-5B

Ref.	Colour	Ref.	Colour
<b>A</b>	blue	<b>N</b>	black
<b>B</b>	white	<b>R</b>	red
<b>G</b>	grey	<b>S</b>	orange
<b>J</b>	yellow	<b>V</b>	green
<b>M</b>	brown		

Note: the last letter «G» of the part number indicates the grey colour of the bend relief. For ordering a bend relief with another colour, see table above and replace the letter «G» by the letter of the required colour.

## Tools

### Extractor

Reference	Contact type
<b>DCC.91.10P.1LA</b>	P1
<b>DCC.91.808.0LC</b>	P3

---

## LEMO HEADQUARTERS

### SWITZERLAND

#### LEMO SA

Chemin des Champs-Courbes 28 - P.O. Box 194 - CH-1024 Ecublens  
Tel. (+41 21) 695 16 00 - Fax (+41 21) 695 16 02 - e-mail: info@lemo.com

## LEMO SUBSIDIARIES

### AUSTRIA

#### LEMO Elektronik GesmbH

Lemböckgasse 49/E6-3  
1230 Wien  
Tel: (+43 1) 914 23 20 0  
Fax: (+43 1) 914 23 20 11  
sales@lemo.at

### BRAZIL

#### LEMO Latin America Ltda

Av. José Rocha Bonfim,  
214 Salas 224 / 225  
Condomínio Praça Capital  
Ed. Chicago  
Campinas / SP - Brasil 13080-650  
Tel: +55 (11) 98689 4736  
info-la@lemo.com

### CANADA

#### LEMO Canada Inc

44 East Beaver Creek Road, unit 20  
Richmond Hill, Ontario L4B 1G8  
Tel: (+1 905) 889 56 78  
Fax: (+1 905) 889 49 70  
info-canada@lemo.com

### CHINA / HONG KONG

#### LEMO Electronics (Shanghai) Co., Ltd

First Floor, Block E,  
18 Jindian Road, Pudong  
Shanghai, China, 201206  
Tel: (+86 21) 5899 7721  
Fax: (+86 21) 5899 7727  
cn.sales@lemo.com

### DENMARK

#### LEMO Denmark A/S

Nybrovej # 97  
2820 Gentofte  
Tel: (+45) 45 20 44 00  
Fax: (+45) 45 20 44 01  
info-dk@lemo.com

### FRANCE

#### LEMO France Sàrl

24/28 Avenue Graham Bell  
Bâtiment Balthus 4  
Bussy Saint Georges  
77607 Marne la Vallée Cedex 3  
Tel: (+33 1) 60 94 60 94  
Fax: (+33 1) 60 94 60 90  
info-fr@lemo.com

### GERMANY

#### LEMO Elektronik GmbH

Hanns-Schwindt-Str. 6  
81829 München  
Tel: (+49 89) 42 77 03  
Fax: (+49 89) 420 21 92  
info@lemo.de

### HUNGARY

#### REDEL Elektronika Kft

Nagysándor József u. 6-12  
1201 Budapest  
Tel: (+36 1) 421 47 10  
Fax: (+36 1) 421 47 57  
info-hu@lemo.com

### ITALY

#### LEMO Italia srl

Viale Lunigiana 25  
20125 Milano  
Tel: (+39 02) 66 71 10 46  
Fax: (+39 02) 66 71 10 66  
sales.it@lemo.com

### JAPAN

#### LEMO Japan Ltd

2-7-22, Mita,  
Minato-ku, Tokyo, 108-0073  
Tel: (+81 3) 54 46 55 10  
Fax: (+81 3) 54 46 55 11  
lemoinfo@lemo.co.jp

### MIDDLE EAST

#### LEMO Middle East Gen. Trad. LLC

Concorde Tower 6th Floor,  
Dubai Media City, P.O. Box 126732  
Dubai, United Arab Emirates  
Tel: +971 55 222 36 77  
info-me@lemo.com

### NETHERLANDS / BELGIUM

#### LEMO Connectors Benelux

De Trompet 1060  
1967 DA Heemskerk  
Tel: (+31) 251 25 78 20  
Fax (+31) 251 25 78 21  
info@lemo.nl

### NORWAY / ICELAND

#### LEMO Norway A/S

Soerumsandvegen 69,  
1920 Soerumsand  
Tel: (+47) 22 91 70 40  
Fax: (+47) 22 91 70 41  
info-no@lemo.com

### SINGAPORE

#### LEMO Asia Pte Ltd

4 Leng Kee Road,  
#06-09 SiS Building  
Singapore 159088  
Tel: (+65) 6476 0672  
Fax: (+65) 6474 0672  
sg.sales@lemo.com

### SPAIN / PORTUGAL

#### IBERLEMO SAU

Brasil, 45, 08402 Granollers  
Barcelona  
Tel: (+34 93) 860 44 20  
Fax: (+34 93) 879 10 77  
info-es@lemo.com

### SWEDEN / FINLAND

#### LEMO Nordic AB

Gunnebogatan 30, Box 8201  
163 08 Spånga  
Tel: (+46 8) 635 60 60  
Fax: (+46 8) 635 60 61  
info-se@lemo.com

### SWITZERLAND

#### LEMO Verkauf AG

Grundstrasse 22 B, 6343 Rotkreuz  
Tel: (+41 41) 790 49 40  
ch.sales@lemo.com

### UNITED KINGDOM

#### LEMO UK Ltd

12-20 North Street, Worthing,  
West Sussex, BN11 1DU  
Tel: (+44 1903) 23 45 43  
lemouk@lemo.com

### USA

#### LEMO USA Inc

P.O. Box 2408  
Rohnert Park, CA 94927-2408  
Tel: (+1 707) 578 88 11  
(+1 800) 444 53 66  
Fax: (+1 707) 578 08 69  
info-US@lemo.com

## LEMO DISTRIBUTORS

ARGENTINA, AUSTRALIA, BRAZIL, CHILE, COLOMBIA, CZECH REPUBLIC,  
GREECE, INDIA, ISRAEL, NEW ZEALAND, PERU, POLAND, RUSSIA,  
SOUTH AFRICA, SOUTH KOREA, TAIWAN, TURKEY, UKRAINE

[www.lemo.com](http://www.lemo.com)



# Mouser Electronics

Authorized Distributor

Click to View Pricing, Inventory, Delivery & Lifecycle Information:

[LEMO:](#)

[EGG.2B.013.CLL](#) [EGG.2B.015.CLL](#) [FGG.2B.013.CLAD52Z](#)



Компания «ЭлектроПласт» предлагает заключение долгосрочных отношений при поставках импортных электронных компонентов на взаимовыгодных условиях!

Наши преимущества:

- Оперативные поставки широкого спектра электронных компонентов отечественного и импортного производства напрямую от производителей и с крупнейших мировых складов;
- Поставка более 17-ти миллионов наименований электронных компонентов;
- Поставка сложных, дефицитных, либо снятых с производства позиций;
- Оперативные сроки поставки под заказ (от 5 рабочих дней);
- Экспресс доставка в любую точку России;
- Техническая поддержка проекта, помощь в подборе аналогов, поставка прототипов;
- Система менеджмента качества сертифицирована по Международному стандарту ISO 9001;
- Лицензия ФСБ на осуществление работ с использованием сведений, составляющих государственную тайну;
- Поставка специализированных компонентов (Xilinx, Altera, Analog Devices, Intersil, Interpoint, Microsemi, Aeroflex, Peregrine, Syfer, Eurofarad, Texas Instrument, Miteq, Cobham, E2V, MA-COM, Hittite, Mini-Circuits, General Dynamics и др.);

Помимо этого, одним из направлений компании «ЭлектроПласт» является направление «Источники питания». Мы предлагаем Вам помощь Конструкторского отдела:

- Подбор оптимального решения, техническое обоснование при выборе компонента;
- Подбор аналогов;
- Консультации по применению компонента;
- Поставка образцов и прототипов;
- Техническая поддержка проекта;
- Защита от снятия компонента с производства.



#### Как с нами связаться

**Телефон:** 8 (812) 309 58 32 (многоканальный)

**Факс:** 8 (812) 320-02-42

**Электронная почта:** [org@eplast1.ru](mailto:org@eplast1.ru)

**Адрес:** 198099, г. Санкт-Петербург, ул. Калинина, дом 2, корпус 4, литера А.