



RapidIO II Intel® FPGA IP User Guide

Updated for Intel® Quartus® Prime Design Suite: **18.0**



Subscribe

Send Feedback

UG-01116 | 2018.09.25

Latest document on the web: [PDF](#) | [HTML](#)



Contents

- 1. About the RapidIO II Intel® FPGA IP..... 6**
 - 1.1. Features.....7
 - 1.1.1. Supported Transactions..... 8
 - 1.2. Device Family Support.....9
 - 1.3. IP Core Verification..... 9
 - 1.3.1. Simulation Testing.....10
 - 1.3.2. Hardware Testing..... 10
 - 1.3.3. Interoperability Testing..... 11
 - 1.4. Performance and Resource Utilization..... 11
 - 1.5. Device Speed Grades..... 12
 - 1.6. Release Information..... 13

- 2. Getting Started..... 14**
 - 2.1. Installing and Licensing Intel FPGA IP Cores..... 14
 - 2.2. Intel FPGA IP Evaluation Mode..... 15
 - 2.3. Generating IP Cores..... 17
 - 2.3.1. IP Core Generation Output (Intel Quartus Prime Pro Edition).....19
 - 2.4. Generating IP Cores (Intel Quartus Prime Standard Edition)..... 22
 - 2.4.1. IP Core Generation Output (Intel Quartus Prime Standard Edition).....23
 - 2.5. RapidIO II IP Core Testbench Files.....24
 - 2.6. Simulating IP Cores.....25
 - 2.6.1. Simulating the Testbench with the ModelSim Simulator..... 26
 - 2.6.2. Simulating the Testbench with the VCS Simulator..... 27
 - 2.6.3. Simulating the Testbench with the NCSim Simulator..... 27
 - 2.6.4. Simulating the Testbench with the Xcelium Parallel Simulator.....28
 - 2.7. Integrating Your IP Core in Your Design..... 28
 - 2.7.1. Dynamic Transceiver Reconfiguration Controller..... 28
 - 2.7.2. Transceiver PHY Reset Controller..... 30
 - 2.7.3. Transceiver Settings..... 30
 - 2.7.4. Adding Transceiver Analog Settings for Arria V GZ and Stratix V Variations..... 30
 - 2.7.5. External Transceiver PLL..... 31
 - 2.8. Compiling the Full Design and Programming the FPGA..... 32
 - 2.9. Instantiating Multiple RapidIO II IP Cores in V-series FPGA devices..... 32

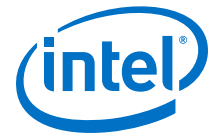
- 3. Parameter Settings..... 34**
 - 3.1. Physical Layer Settings..... 34
 - 3.1.1. Mode Selection..... 36
 - 3.1.2. Data Settings..... 36
 - 3.1.3. Transceiver Settings..... 37
 - 3.2. Transport Layer Settings..... 38
 - 3.2.1. Enable 16-Bit Device ID Width..... 38
 - 3.2.2. Enable Avalon-ST Pass-Through Interface..... 39
 - 3.2.3. Disable Destination ID Checking..... 39
 - 3.3. Logical Layer Settings.....40
 - 3.3.1. Maintenance Module Settings.....40
 - 3.3.2. Doorbell Module Settings..... 40
 - 3.3.3. I/O Master Module Settings..... 40
 - 3.3.4. I/O Slave Module Settings..... 41



3.4. Capability Registers Settings.....	41
3.4.1. Device Identity CAR.....	41
3.4.2. Device Information CAR.....	42
3.4.3. Assembly Identity CAR.....	42
3.4.4. Assembly Information CAR.....	42
3.4.5. Processing Element Features CAR.....	42
3.4.6. Switch Port Information CAR.....	44
3.4.7. Switch Route Table Destination ID Limit CAR.....	44
3.4.8. Data Streaming Information CAR.....	44
3.4.9. Source Operations CAR.....	44
3.4.10. Destination Operations CAR.....	45
3.5. Command and Status Registers Settings.....	45
3.5.1. Data Streaming Logical Layer Control CSR.....	45
3.5.2. Port General Control CSR.....	46
3.5.3. Port 0 Control CSR.....	46
3.5.4. Lane n Status 0 CSR.....	46
3.5.5. Extended Features Pointer CSR.....	46
3.6. Error Management Registers Settings.....	47
4. Functional Description.....	48
4.1. Interfaces.....	48
4.1.1. Avalon-MM Master and Slave Interfaces.....	48
4.1.2. Avalon-ST Interface.....	49
4.1.3. RapidIO Interface.....	49
4.2. Clocking and Reset Structure.....	50
4.2.1. Avalon System Clock.....	50
4.2.2. Reference Clock.....	50
4.2.3. Recovered Data Clock.....	51
4.2.4. Clock Rate Relationships in the RapidIO II IP Core.....	51
4.2.5. Clock Domains in Your Platform Designer System.....	51
4.2.6. Reset for RapidIO II IP Cores.....	51
4.3. Logical Layer Interfaces.....	55
4.3.1. Register Access Interface.....	56
4.3.2. Input/Output Logical Layer Modules.....	57
4.3.3. Maintenance Module.....	81
4.3.4. Doorbell Module.....	92
4.3.5. Avalon-ST Pass-Through Interface.....	96
4.4. Transport Layer.....	117
4.4.1. Receiver.....	117
4.4.2. Transmitter.....	118
4.5. Physical Layer.....	120
4.5.1. Low-level Interface Receiver.....	121
4.5.2. Low-Level Interface Transmitter.....	121
4.6. Error Detection and Management.....	124
4.6.1. Physical Layer Error Management.....	124
4.6.2. Logical Layer Error Management.....	125
4.6.3. Avalon-ST Pass-Through Interface.....	129
5. Signals.....	131
5.1. Global Signals.....	131
5.2. Physical Layer Signals.....	132



- 5.2.1. Status Packet and Error Monitoring Signals..... 133
- 5.2.2. Low Latency Signals..... 133
- 5.2.3. Transceiver Signals..... 135
- 5.2.4. Register-Related Signals..... 139
- 5.3. Logical and Transport Layer Signals..... 139
 - 5.3.1. Avalon-MM Interface Signals..... 139
 - 5.3.2. Avalon-ST Pass-Through Interface Signals..... 143
 - 5.3.3. Data Streaming Support Signals..... 145
 - 5.3.4. Transport Layer Packet and Error Monitoring Signal..... 145
- 5.4. Error Management Extension Signals..... 146
 - 5.4.1. Error Reporting Signals..... 149
- 6. Software Interface..... 150**
 - 6.1. Memory Map..... 151
 - 6.1.1. CAR Memory Map..... 151
 - 6.1.2. CSR Memory Map..... 152
 - 6.1.3. LP-Serial Extended Features Block Memory Map..... 152
 - 6.1.4. LP-Serial Lane Extended Features Block Memory Map..... 153
 - 6.1.5. Error Management Extensions Extended Features Block Memory Map..... 153
 - 6.1.6. Maintenance Module Registers Memory Map..... 154
 - 6.1.7. I/O Logical Layer Master Module Registers Memory Map..... 154
 - 6.1.8. I/O Logical Layer Slave Module Registers Memory Map..... 155
 - 6.1.9. Doorbell Module Registers Memory Map..... 155
 - 6.2. Physical Layer Registers..... 155
 - 6.2.1. LP-Serial Extended Features Block Memory Map..... 156
 - 6.2.2. LP-Serial Lane Extended Features Block Memory Map..... 167
 - 6.3. Transport and Logical Layer Registers..... 173
 - 6.3.1. Capability Registers (CARs)..... 173
 - 6.3.2. Command and Status Registers (CSRs)..... 180
 - 6.3.3. Maintenance Module Registers..... 183
 - 6.3.4. I/O Logical Layer Master Module Registers..... 187
 - 6.3.5. I/O Logical Layer Slave Module Registers..... 188
 - 6.3.6. Error Management Registers..... 192
 - 6.3.7. Doorbell Message Registers..... 205
- 7. Testbench..... 209**
 - 7.1. Testbench Overview..... 209
 - 7.2. Testbench Sequence..... 211
 - 7.2.1. Reset, Initialization, and Configuration..... 211
 - 7.2.2. Maintenance Write and Read Transactions..... 212
 - 7.2.3. SWRITE Transactions..... 213
 - 7.2.4. NREAD Transactions..... 214
 - 7.2.5. NWRITE_R Transactions..... 214
 - 7.2.6. NWRITE Transactions..... 215
 - 7.2.7. Doorbell Transactions..... 216
 - 7.2.8. Port-Write Transactions..... 216
 - 7.2.9. Transactions Across the AVST Pass-Through Interface..... 217
 - 7.3. Testbench Completion..... 217
 - 7.4. Transceiver Level Connections in the Testbench..... 217
- 8. RapidIO II IP Core User Guide Archives..... 220**



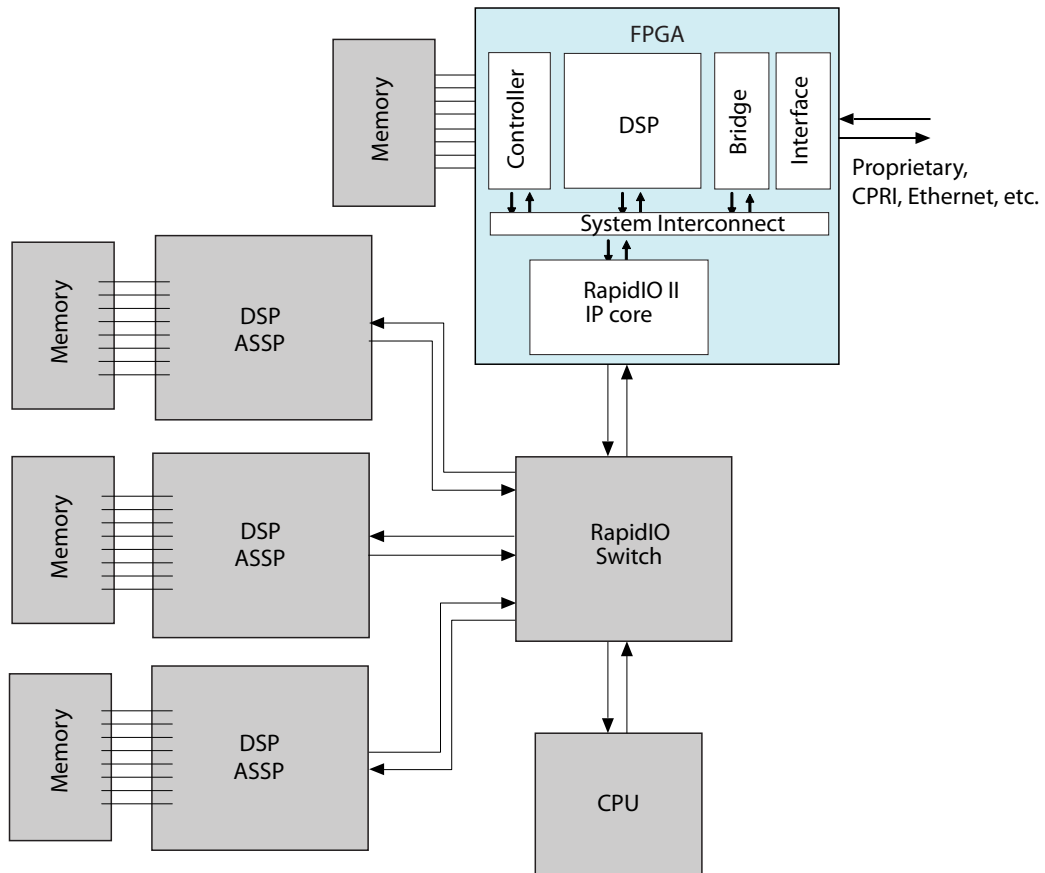
9. Document Revision History for the RapidIO II Intel FPGA IP User Guide.....	221
A. Initialization Sequence.....	225
B. Differences Between RapidIO II IP Core and RapidIO IP Core.....	227

1. About the RapidIO II Intel® FPGA IP

The RapidIO Interconnect is an open standard developed by the RapidIO Trade Association. It is a high-performance packet-switched interconnect technology designed to pass data and control information between microprocessors, digital signal processors (DSPs), communications and network processors, system memories, and peripheral devices.

The RapidIO II Intel® FPGA IP complies with the RapidIO v2.2 specification and targets high-performance, multi-computing, high-bandwidth, and co-processing I/O applications.

Figure 1. Typical RapidIO Application



Related Information

[RapidIO II IP Core User Guide Archives](#) on page 220



1.1. Features

The RapidIO II IP core has the following features:

- Compliant with *RapidIO Interconnect Specification, Revision 2.2, June 2011*, available from the RapidIO Trade Association website.
- Supports 8-bit or 16-bit device IDs.
- Supports incoming and outgoing multi-cast events.
- Provides a 128-bit wide Avalon® Streaming (Avalon-ST) pass-through interface for fully integrated implementation of custom user logic.
- Physical layer features:
 - 1x / 2x / 4x serial with integrated transceivers.
 - Fallback to 1x from 4x and 2x modes.
 - Fallback to 2x from 4x mode.
 - All five standard serial data rates supported: 1.25, 2.5, 3.125, 5.0, and 6.25 Gbaud (gigabaud).
 - Long control symbol.
 - IDLE2 idle sequence
 - Extraction and insertion of command and status (CS) field.
 - Support for software control of local and link-partner transmitter emphasis.
 - Insertion of clock compensation sequences.
 - Receive/transmit packet buffering, scrambling/descrambling, flow control, error detection and recovery, packet assembly, and packet delineation.
 - Automatic freeing of resources used by acknowledged packets.
 - Automatic retransmission of retried packets.
 - Scheduling of transmission, based on priority.
 - Software support for ackID synchronization.
 - Virtual channel (VC) 0 support.
 - Reliable traffic (RT) support.
 - Critical request flow (CRF) support.
- Transport layer features:
 - Supports multiple Logical layer modules.
 - Supports an Avalon-ST pass-through interface for custom implementation of capabilities such as data streaming and message passing.
 - A round-robin, priority-supporting outgoing scheduler chooses packets to transmit from various Logical layer modules.



- Logical layer features:
 - Generation and management of transaction IDs.
 - Automatic response generation and processing.
 - Response Request Timeout checking.
 - Capability registers (CARs), command and status registers (CSRs), and Error Management Extensions registers.
 - Direct register access, either remotely or locally.
 - Maintenance master and slave Logical layer modules.
 - Input/Output Avalon Memory-Mapped (Avalon-MM) master and slave Logical layer modules with 128-bit wide datapath and burst support.
 - Doorbell module supporting 16 outstanding DOORBELL packets with time-out mechanism.
 - Optional preservation of transaction order between outgoing DOORBELL messages and I/O write requests.
 - Registers and interrupt indicate NWRITE_R transaction completion.
 - Preservation of transaction order between outgoing I/O read requests and I/O write requests from Avalon-MM interfaces.
- Cycle-accurate simulation models for use in Intel-supported VHDL and Verilog HDL simulators.
- IEEE-encrypted HDL simulation models for improved simulation efficiency.
- Support for Intel FPGA IP Evaluation Mode.

Related Information

[RapidIO Specifications](#)

1.1.1. Supported Transactions

The RapidIO II IP core supports the following RapidIO transactions:

- NREAD request and response
- NWRITE request
- NWRITE_R request and response
- SWRITE request
- MAINTENANCE read request and response
- MAINTENANCE write request and response
- DOORBELL request and response



1.2. Device Family Support

The following are the device support level definitions for Intel FPGA IP cores:

- **Advance support** - The IP core is available for simulation and compilation for this device family. Timing models include initial engineering estimates of delays based on early post-layout information. The timing models are subject to change as silicon testing improves the correlation between the actual silicon and the timing models. You can use this IP core for system architecture and resource utilization studies, simulation, pinout, system latency assessments, basic timing assessments (pipeline budgeting), and I/O transfer strategy (data-path width, burst depth, I/O standards tradeoffs).
- **Preliminary support** - The IP core is verified with preliminary timing models for this device family. The IP core meets all functional requirements, but might still be undergoing timing analysis for the device family. It can be used in production designs with caution.
- **Final support** - The IP core is verified with final timing models for this device family. The IP core meets all functional and timing requirements for the device family and can be used in production designs.

Table 1. Device Family Support

Device Family	Support Level
Intel Cyclone® 10 GX	Advance
Intel Stratix® 10	Advance
Intel Arria® 10	Final
Arria V GX, GT, SX, and ST	Final
Arria V GZ	Final
Cyclone V	Final
Stratix V	Final
Other device families	No support

1.3. IP Core Verification

Before releasing a publicly available version of the RapidIO II IP core, Intel runs a comprehensive verification suite in the current version of the Intel Quartus® Prime software. These tests use standalone methods and the Platform Designer system integration tool to create the instance files. These files are tested in simulation and hardware to confirm functionality. Intel tests and verifies the RapidIO II IP core in hardware for different platforms and environments.

Intel also performs interoperability testing to verify the performance of the IP core and to ensure compatibility with ASSP devices.

Related Information

[Knowledge Base Errata for RapidIO II IP core](#)

Exceptions to functional correctness are documented in the RapidIO II IP core errata.



1.3.1. Simulation Testing

The test suite contains testbenches that use the Cadence Serial RapidIO Verification IP (VIP), the Cadence Compliance Management System (CMS) implementation of the RapidIO Trade Association interoperability checklist, and the RapidIO bus functional model (BFM) from the RapidIO Trade Association to verify the functionality of the IP core.

The test suite confirms various functions, including the following functionality:

- Link initialization
- Packet format
- Packet priority
- Error handling
- Throughput
- Flow control

Constrained random techniques generate appropriate stimulus for the functional verification of the IP core. Functional and code coverage metrics measure the quality of the random stimulus, and ensure that all important features are verified.

1.3.2. Hardware Testing

Intel tests and verifies the RapidIO II IP core in hardware for different platforms and environments.

The hardware tests cover serial 1x, 2x, and 4x variations running at 1.25, 2.5, 3.125, 5.0, and 6.25 Gbaud, and processing the following traffic types:

- NREADS of various payload sizes
- NWRITES of various payload sizes
- NWRITE_Rs of various payload sizes
- SWRITES of various payload sizes
- Port-writes
- DOORBELL messages
- MAINTENANCE reads and writes

The hardware tests also cover the following control symbol types:

- Status
- Packet-accepted
- Packet-retry
- Packet-not-accepted
- Start-of-packet
- End-of-packet
- Link-request and Link-response



- Stomp
- Restart-from-retry
- Multicast-event

1.3.3. Interoperability Testing

Intel performs interoperability tests on the RapidIO II IP core, which certify that the RapidIO II IP core is compatible with third-party RapidIO devices.

Intel performs interoperability testing with processors and switches from various manufacturers including:

- Texas Instruments Incorporated
- Integrated Device Technology, Inc. (IDT)

Intel has performed interoperability tests with the IDT CPS-1848 and IDT CPS-1616 switches. Testing of additional devices is an on-going process.

1.4. Performance and Resource Utilization

This section shows IP core variation sizes in the different device families.

- Minimal variation:
 - Physical layer
 - Transport layer
 - Avalon-ST pass-through interface
- Full-featured variation:
 - Physical layer
 - Transport layer
 - Maintenance module
 - Doorbell module
 - Input/Output Avalon-MM master
 - Input/Output Avalon-MM slave
 - Error Management Registers block

All variations are configured with the following parameter settings:

- Transceiver reference clock frequency of 156.25 MHz.
- The maximum RapidIO II baud rate supported by the device.
- Support 1x, 2x, and 4x modes of operation.



Table 2. RapidIO II IP Core FPGA Resource Utilization

The listed results are obtained using the Intel Quartus Prime software for the following devices:

- Intel Cyclone 10 GX (10CX220YU484I6G) - Intel Quartus Prime Pro Edition 18.0
- Intel Stratix 10 L-Tile (1SG280LN3F43E3VG) - Intel Quartus Prime Pro Edition 17.1
- Intel Stratix 10 H-Tile (1SG280HN3F43E3VG) - Intel Quartus Prime Pro Edition 17.1
- Intel Arria 10 (10AX115U3F45E2LG) - Intel Quartus Prime Pro Edition 17.1
- Arria V (5AGXFB7K4F40C4) - Intel Quartus Prime Standard Edition 17.0
- Cyclone V (5CGXBC7C6F23C7) - Intel Quartus Prime Standard Edition 17.0
- Stratix V (5SGXMA5N3F45C4) - Intel Quartus Prime Standard Edition 17.0

The numbers of ALMs, primary logic registers, and secondary logic registers are rounded up to the nearest 100.

Device	Parameters		ALMs	Registers		Memory Blocks (M10K or M20K) ⁽¹⁾
	Variation	Baud Rate (Gbaud)		Primary	Secondary	
Intel Cyclone 10 GX	Minimal	6.25	11400	10400	1300	28
	Full-featured	6.25	24300	27800	3700	51
Intel Stratix 10 L-Tile	Minimal	6.25	11800	12800	700	28
	Full-featured	6.25	27400	35000	3200	54
Intel Stratix 10 H-Tile	Minimal	6.25	12000	12900	600	28
	Full-featured	6.25	34300	35000	3100	54
Intel Arria 10	Minimal	6.25	11200	10300	13000	28
	Full-featured	6.25	24400	28300	4000	53
Arria V	Minimal	6.25	11600	10700	1300	38
	Full-featured	6.25	21100	26200	2800	82
Cyclone V	Minimal	3.125	11000	11000	1300	38
	Full-featured	3.125	20000	25100	2600	84
Stratix V	Minimal	6.25	11100	11200	1100	28
	Full-featured	6.25	20600	25500	2600	49

1.5. Device Speed Grades

Following are the recommended device family speed grades for the supported link widths and internal clock frequencies.

⁽¹⁾ M10K for Arria V and Cyclone V devices and M20K for Stratix V, Intel Arria 10, Intel Stratix 10 and Intel Cyclone 10 GX devices.



Table 3. Recommended Device Family and Speed Grades

In this table, the entry -n indicates that both the industrial speed grade **In** and the commercial speed grade **Cn** are supported for the device family and baud rate.

Device Family	Rate				
	1.25 Gbaud	2.5 Gbaud	3.125 Gbaud	5.0 Gbaud	6.25 Gbaud
	f_{MAX}				
	31.25 MHz	62.50 MHz	78.125 MHz	125 MHz	156.25 MHz
Intel Cyclone 10 GX	-5, -6	-5, -6	-5, -6	-5, -6	-5, -6
Intel Stratix 10	-1, -2, -3	-1, -2, -3	-1, -2, -3	-1, -2, -3	-1, -2
Intel Arria 10	-1, -2, -3	-1, -2, -3	-1, -2, -3	-1, -2, -3	-1, -2
Arria V	-4, -5, -6	-4, -5, -6	-4, -5, -6	-4, -5	-4, -5 ⁽²⁾
Arria V GZ	-3, -4	-3, -4	-3, -4	-3, -4	-3, -4
Cyclone V	-6, -7	-6, -7	-6, -7	-7 ⁽³⁾	-
Stratix V	-2, -3, -4	-2, -3, -4	-2, -3, -4	-2, -3, -4	-2, -3, -4

1.6. Release Information

Table 4. RapidIO II IP Core Release Information

Item	Description
Version	18.0
Release Date	2018.05.07
Ordering Code	IP-RAPIDIOII

Intel verifies that the current version of the Intel Quartus Prime software compiles the previous version of each IP core. Any exceptions to this verification are reported in the Intel FPGA IP Release Notes. Intel does not verify compilation with IP core versions older than the previous release.

Related Information

[Intel FPGA IP Release Notes](#)

⁽²⁾ This speed grade does not support the Arria V variations with Avalon-ST Pass-through Interfaces.

⁽³⁾ In the Cyclone V device family, only Cyclone V GT devices support the 5.0 GBaud rate.

2. Getting Started

You can customize the RapidIO II IP core to support a wide variety of applications.

When you generate the IP core you can choose whether or not to generate a simulation model. If you generate a simulation model, Intel provides a Verilog testbench customized for your IP core variation. If you specify a VHDL simulation model, you must use a mixed-language simulator to run the testbench, or create your own VHDL-only simulation environment.

The following sections provide generic instructions and information for Intel FPGA IP cores. It explains how to install, parameterize, simulate, and initialize the RapidIO II IP core.

Related Information

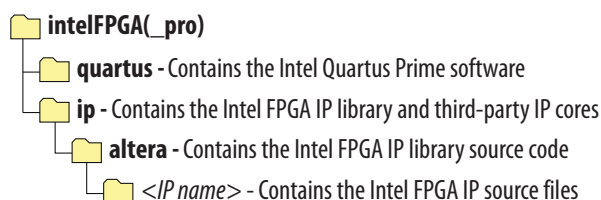
- [Introduction to Intel FPGA IP Cores](#)
Provides general information about all Intel FPGA IP cores, including parameterizing, generating, upgrading, and simulating IP cores.
- [Generating a Combined Simulator Script](#)
- [Project Management Best Practices](#)
Guidelines for efficient management and portability of your project and IP files.

2.1. Installing and Licensing Intel FPGA IP Cores

The Intel Quartus Prime software installation includes the Intel FPGA IP library. This library provides many useful IP cores for your production use without the need for an additional license. Some Intel FPGA IP cores require purchase of a separate license for production use. The Intel FPGA IP Evaluation Mode allows you to evaluate these licensed Intel FPGA IP cores in simulation and hardware, before deciding to purchase a full production IP core license. You only need to purchase a full production license for licensed Intel IP cores after you complete hardware testing and are ready to use the IP in production.

The Intel Quartus Prime software installs IP cores in the following locations by default:

Figure 2. IP Core Installation Path



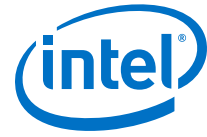


Table 5. IP Core Installation Locations

Location	Software	Platform
<drive>:\intelFPGA_pro\quartus\ip\altera	Intel Quartus Prime Pro Edition	Windows*
<drive>:\intelFPGA\quartus\ip\altera	Intel Quartus Prime Standard Edition	Windows
<home directory>:/intelFPGA_pro/quartus/ip/altera	Intel Quartus Prime Pro Edition	Linux*
<home directory>:/intelFPGA/quartus/ip/altera	Intel Quartus Prime Standard Edition	Linux

Note: The Intel Quartus Prime software does not support spaces in the installation path.

2.2. Intel FPGA IP Evaluation Mode

The free Intel FPGA IP Evaluation Mode allows you to evaluate licensed Intel FPGA IP cores in simulation and hardware before purchase. Intel FPGA IP Evaluation Mode supports the following evaluations without additional license:

- Simulate the behavior of a licensed Intel FPGA IP core in your system.
- Verify the functionality, size, and speed of the IP core quickly and easily.
- Generate time-limited device programming files for designs that include IP cores.
- Program a device with your IP core and verify your design in hardware.

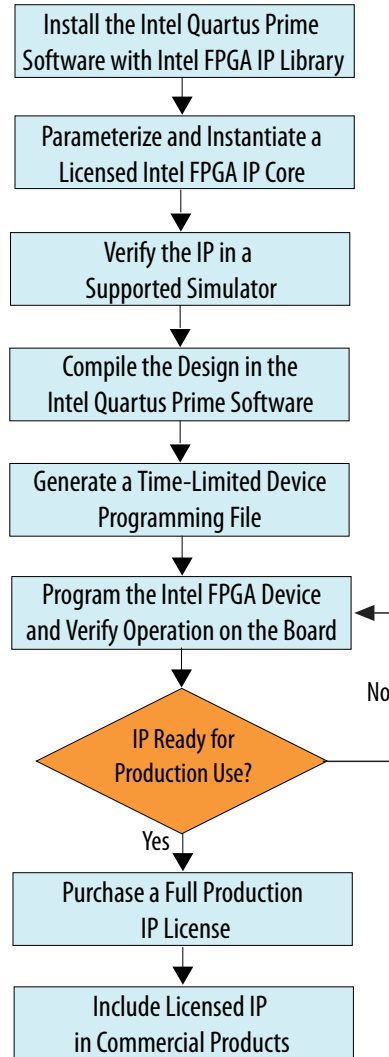
Intel FPGA IP Evaluation Mode supports the following operation modes:

- **Tethered**—Allows running the design containing the licensed Intel FPGA IP indefinitely with a connection between your board and the host computer. Tethered mode requires a serial joint test action group (JTAG) cable connected between the JTAG port on your board and the host computer, which is running the Intel Quartus Prime Programmer for the duration of the hardware evaluation period. The Programmer only requires a minimum installation of the Intel Quartus Prime software, and requires no Intel Quartus Prime license. The host computer controls the evaluation time by sending a periodic signal to the device via the JTAG port. If all licensed IP cores in the design support tethered mode, the evaluation time runs until any IP core evaluation expires. If all of the IP cores support unlimited evaluation time, the device does not time-out.
- **Untethered**—Allows running the design containing the licensed IP for a limited time. The IP core reverts to untethered mode if the device disconnects from the host computer running the Intel Quartus Prime software. The IP core also reverts to untethered mode if any other licensed IP core in the design does not support tethered mode.

When the evaluation time expires for any licensed Intel FPGA IP in the design, the design stops functioning. All IP cores that use the Intel FPGA IP Evaluation Mode time out simultaneously when any IP core in the design times out. When the evaluation time expires, you must reprogram the FPGA device before continuing hardware verification. To extend use of the IP core for production, purchase a full production license for the IP core.

You must purchase the license and generate a full production license key before you can generate an unrestricted device programming file. During Intel FPGA IP Evaluation Mode, the Compiler only generates a time-limited device programming file (<project name>_time_limited.sof) that expires at the time limit.

Figure 3. Intel FPGA IP Evaluation Mode Flow



Note: Refer to each IP core's user guide for parameterization steps and implementation details.

Intel licenses IP cores on a per-seat, perpetual basis. The license fee includes first-year maintenance and support. You must renew the maintenance contract to receive updates, bug fixes, and technical support beyond the first year. You must purchase a full production license for Intel FPGA IP cores that require a production license, before generating programming files that you may use for an unlimited time. During Intel FPGA IP Evaluation Mode, the Compiler only generates a time-limited device programming file (*<project name>_time_limited.sof*) that expires at the time limit. To obtain your production license keys, visit the [Self-Service Licensing Center](#) or contact your local [Intel FPGA representative](#).

The [Intel FPGA Software License Agreements](#) govern the installation and use of licensed IP cores, the Intel Quartus Prime design software, and all unlicensed IP cores.



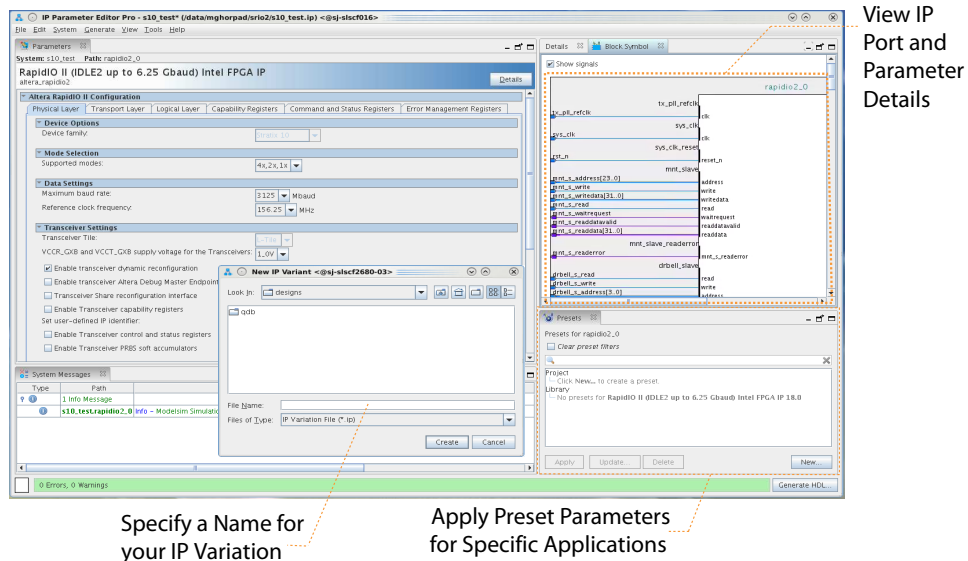
Related Information

- [Intel Quartus Prime Licensing Site](#)
- [Intel FPGA Software Installation and Licensing](#)

2.3. Generating IP Cores

You can quickly configure a custom IP variation in the parameter editor. Use the following steps to specify RapidIO II IP core options and parameters in the Intel Quartus Prime software parameter editor:

Figure 4. IP Parameter Editor



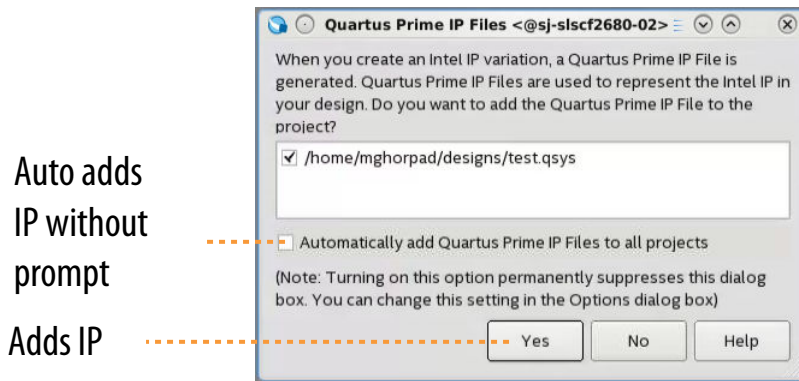
1. In the Intel Quartus Prime Pro Edition software, click **File** > **New Project Wizard** to create a new Intel Quartus Prime project, or **File** > **Open Project** to open an existing Intel Quartus Prime project. The wizard prompts you to specify a device. In the Intel Quartus Prime Standard Edition software, this step is not required.
2. In the IP Catalog (**Tools** > **IP Catalog**), locate and double-click **RapidIO II (IDLE2 up to 6.25 Gbaud) Intel FPGA IP** to customize. The New IP Variation window appears.
3. Specify a top-level name for your custom Intel FPGA IP variation. Do not include spaces in IP variation names or paths. The parameter editor saves the IP variation settings in a file with one of the following names:
 - `<your_ip>.ip` (When you generate Intel Arria 10, Intel Stratix 10 and Intel Cyclone 10 GX variations in the Intel Quartus Prime Pro Edition software)
 - `<your_ip>.qsys` (When you generate Intel Arria 10 variations in the Intel Quartus Prime Standard Edition software)
4. Click **Create/OK**. The parameter editor appears.
5. Specify the parameters and options for your IP variation in the parameter editor, including one or more of the following:

- Optionally select preset parameter values. Presets specify initial parameter values for specific applications.
 - Specify parameters defining the IP core functionality, port configurations, and device-specific features.
 - Specify options for processing the IP core files in other EDA tools.
6. Click **Generate HDL**. The **Generation** dialog box appears.
 7. Specify output file generation options, and then click **Generate**. The software generates a testbench for your IP core when you create a simulation model. The synthesis and simulation files generate according to your specifications.

Note: If you click **Generate > Generate Testbench System** in the IP Parameter Editor, and then click **Generate**, the Intel Quartus Prime software generates a testbench framework. However, the resulting testbench is composed of BFM stubs and does not exercise the RapidIO II IP core in any meaningful way. In addition, the testbench Qsys system that is generated does not connect correctly. To generate the IP core testbench, click **Generate HDL**, select **Verilog** or **VHDL** simulation model type for **Create simulation model**, and click **Generate**.

8. To generate an HDL instantiation template that you can copy and paste into your text editor, click **Generate > Show Instantiation Template**.
9. Click **Finish**. Click **Yes** if prompted to add files representing the IP variation to your project. Optionally turn on the option to **Automatically add Intel Quartus Prime IP Files to all projects**. Click **Project > Add/Remove Files in Project** to add IP files at any time.

Figure 5. Adding IP Files to Project



Note: For Intel Arria 10 and Intel Cyclone 10 GX devices, the generated `.qsys` file must be added to your project to represent IP and Platform Designer systems. For devices released prior to Intel Arria 10 devices, the generated `.qip` and `.sip` files must be added to your project for IP and Platform Designer systems.

10. After generating and instantiating your IP variation, make appropriate pin assignments to connect ports.



Note: Some IP cores generate different HDL implementations according to the IP core parameters. The underlying RTL of these IP cores contains a unique hash code that prevents module name collisions between different variations of the IP core. This unique code remains consistent, given the same IP settings and software version during IP generation. This unique code can change if you edit the IP core's parameters or upgrade the IP core version. To avoid dependency on these unique codes in your simulation environment, refer to *Generating a Combined Simulator Setup Script*.

Related Information

- [Generating a Combined Simulator Setup Script](#)
- [Intel FPGA IP Release Notes](#)

2.3.1. IP Core Generation Output (Intel Quartus Prime Pro Edition)

The Intel Quartus Prime software generates the following output file structure for individual IP cores that are not part of a Platform Designer system.

Figure 6. Individual IP Core Generation Output (Intel Quartus Prime Pro Edition)

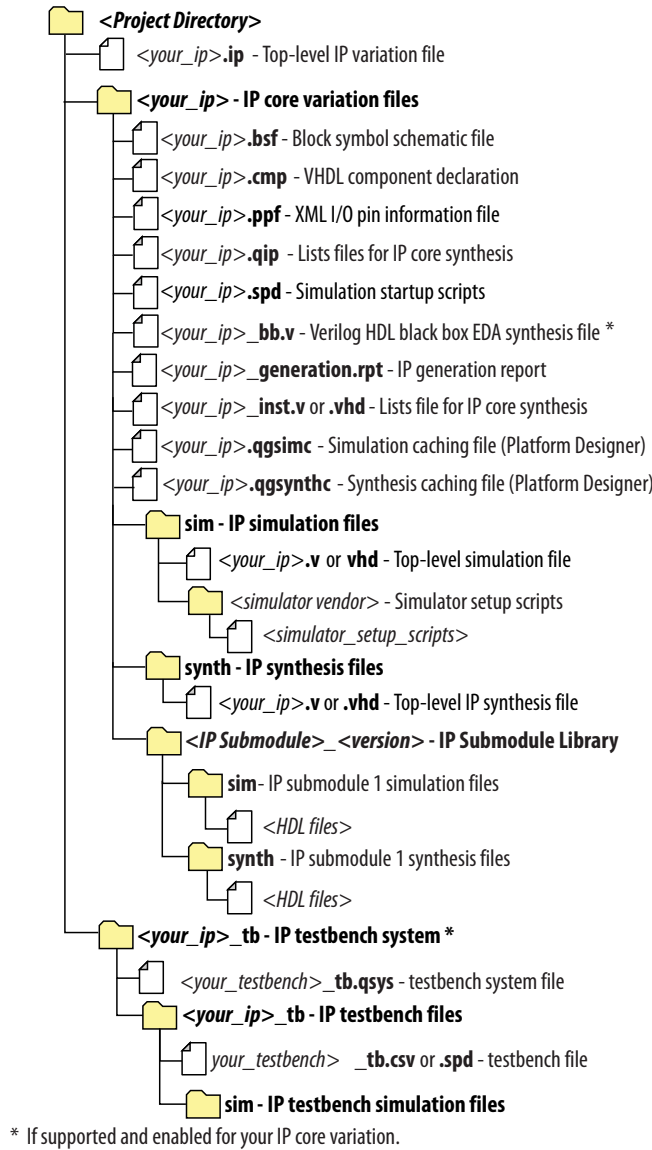
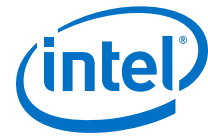


Table 6. Output Files of Intel FPGA IP Generation

File Name	Description
<your_ip>.ip	Top-level IP variation file that contains the parameterization of an IP core in your project. If the IP variation is part of a Platform Designer system, the parameter editor also generates a .qsys file.
<your_ip>.cmp	The VHDL Component Declaration (.cmp) file is a text file that contains local generic and port definitions that you use in VHDL design files.
<your_ip>_generation.rpt	IP or Platform Designer generation log file. Displays a summary of the messages during IP generation.

continued...

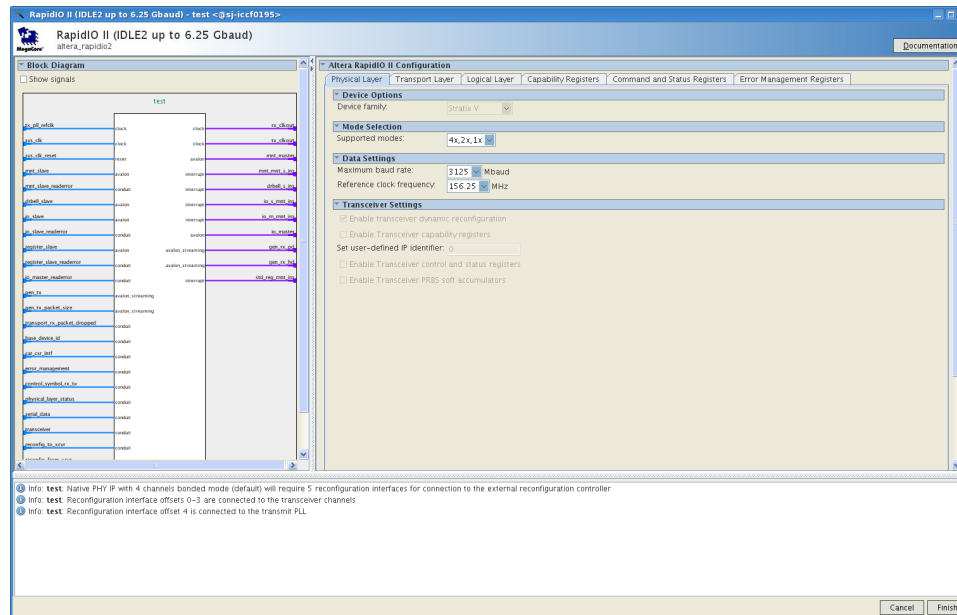


File Name	Description
<your_ip>.qgsimc (Platform Designer systems only)	Simulation caching file that compares the .qsys and .ip files with the current parameterization of the Platform Designer system and IP core. This comparison determines if Platform Designer can skip regeneration of the HDL.
<your_ip>.qgsynth (Platform Designer systems only)	Synthesis caching file that compares the .qsys and .ip files with the current parameterization of the Platform Designer system and IP core. This comparison determines if Platform Designer can skip regeneration of the HDL.
<your_ip>.qip	Contains all information to integrate and compile the IP component.
<your_ip>.csv	Contains information about the upgrade status of the IP component.
<your_ip>.bsf	A symbol representation of the IP variation for use in Block Diagram Files (.bdf).
<your_ip>.spd	Input file that ip-make-simscript requires to generate simulation scripts. The .spd file contains a list of files you generate for simulation, along with information about memories that you initialize.
<your_ip>.ppf	The Pin Planner File (.ppf) stores the port and node assignments for IP components you create for use with the Pin Planner.
<your_ip>_bb.v	Use the Verilog blackbox (_bb.v) file as an empty module declaration for use as a blackbox.
<your_ip>_inst.v or _inst.vhd	HDL example instantiation template. Copy and paste the contents of this file into your HDL file to instantiate the IP variation.
<your_ip>.regmap	If the IP contains register information, the Intel Quartus Prime software generates the .regmap file. The .regmap file describes the register map information of master and slave interfaces. This file complements the .sopcinfo file by providing more detailed register information about the system. This file enables register display views and user customizable statistics in System Console.
<your_ip>.svd	Allows HPS System Debug tools to view the register maps of peripherals that connect to HPS within a Platform Designer system. During synthesis, the Intel Quartus Prime software stores the .svd files for slave interface visible to the System Console masters in the .sof file in the debug session. System Console reads this section, which Platform Designer queries for register map information. For system slaves, Platform Designer accesses the registers by name.
<your_ip>.v <your_ip>.vhd	HDL files that instantiate each submodule or child IP core for synthesis or simulation.
mentor/	Contains a msim_setup.tcl script to set up and run a ModelSim* simulation.
aldec/	Contains a Riviera-PRO* script rivierapro_setup.tcl to setup and run a simulation.
/synopsys/vcs /synopsys/vcsmx	Contains a shell script vcs_setup.sh to set up and run a VCS* simulation. Contains a shell script vcsmx_setup.sh and synopsys_sim.setup file to set up and run a VCS MX simulation.
/cadence	Contains a shell script ncsim_setup.sh and other setup files to set up and run an NCSim simulation.
/xcelium	Contains an Xcelium* Parallel simulator shell script xcelium_setup.sh and other setup files to set up and run a simulation.
/submodules	Contains HDL files for the IP core submodule.
<IP submodule>/	Platform Designer generates /synth and /sim sub-directories for each IP submodule directory that Platform Designer generates.

2.4. Generating IP Cores (Intel Quartus Prime Standard Edition)

This topic describes parameterizing and generating an IP variation using a legacy parameter editor in the Intel Quartus Prime Standard Edition software. Some IP cores use a legacy version of the parameter editor for configuration and generation. Use the following steps to configure and generate an IP variation using a legacy parameter editor.

Figure 7. Legacy Parameter Editor



Note: The legacy parameter editor generates a different output file structure than the Intel Quartus Prime Pro Edition software.

1. In the IP Catalog (**Tools > IP Catalog**), locate and double-click the name of the IP core to customize. The parameter editor appears.
2. Specify a top-level name and output HDL file type for your IP variation. This name identifies the IP core variation files in your project. Click **OK**. Do not include spaces in IP variation names or paths.
3. Specify the parameters and options for your IP variation in the parameter editor. Refer to your IP core user guide for information about specific IP core parameters.
4. Click **Finish** or **Generate** (depending on the parameter editor version). The parameter editor generates the files for your IP variation according to your specifications. Click **Exit** if prompted when generation is complete. The parameter editor adds the top-level `.qip` file to the current project automatically.

Note: For devices released prior to Intel Arria 10 devices, the generated `.qip` and `.sip` files must be added to your project to represent IP and Platform Designer systems. To manually add an IP variation generated with legacy parameter editor to a project, click **Project > Add/Remove Files in Project** and add the IP variation `.qip` file.



Note: Some IP cores generate different HDL implementations according to the IP core parameters. The underlying RTL of these IP cores contains a unique code that prevents module name collisions between different variations of the IP core. This unique code remains consistent, given the same IP settings and software version during IP generation. This unique code can change if you edit the IP core's parameters or upgrade the IP core version. To avoid dependency on these unique codes in your simulation environment, refer to *Generating a Combined Simulator Setup Script*.

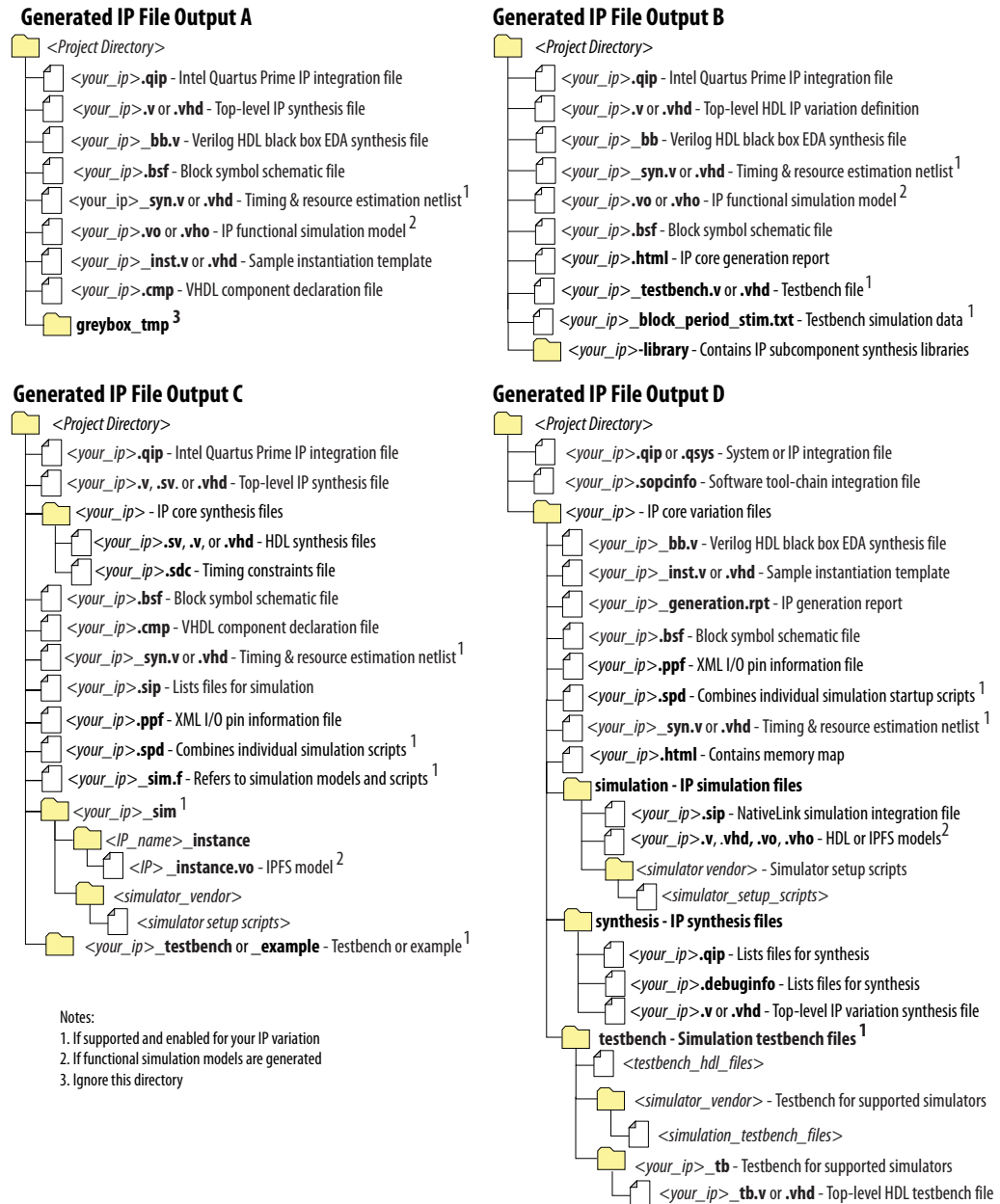
Related Information

- [Generating a Combined Simulator Setup Script](#)
- [Intel FPGA IP Release Notes](#)

2.4.1. IP Core Generation Output (Intel Quartus Prime Standard Edition)

The Intel Quartus Prime Standard Edition software generates one of the following output file structures for individual IP cores that use one of the legacy parameter editors.

Figure 8. IP Core Generated Files (Legacy Parameter Editors)



2.5. RapidIO II IP Core Testbench Files

The RapidIO II IP core testbench is generated when you create a simulation model of the IP core.

For Intel Arria 10, Intel Stratix 10 and Intel Cyclone 10 GX variations:



- The testbench script appears in `<your_ip>/sim/<vendor>`.
- The testbench files appear in `<your_ip>/altera_rapidio2_<version>/sim/tb`.
- The IP core simulation files appear in `<Qsys_system or your_ip>/altera_rapidio2_<version>/sim/<vendor>`.

For all other device variations you generate from the Intel Quartus Prime IP Catalog:

- The testbench script appears in `<your_ip>_sim/<vendor>`.
- The testbench files appear in `<your_ip>_sim/altera_rapidio2/tb`.
- The IP core simulation files appear in `<your_ip>_sim/altera_rapidio2/<vendor>`.

For all other device variations you generate from the Platform Designer IP Catalog in the Intel Quartus Prime software:

- The testbench script appears in `<Qsys_system or your_ip>/simulation/<vendor>`.
- The testbench files appear in `<Qsys_system or your_ip>/simulation/submodules/tb`.
- The IP core simulation files appear in `<Qsys_system or your_ip>/simulation/submodules/<vendor>`.

The RapidIO II IP core does not generate an example design.

Related Information

- [IP Core Generation Output \(Intel Quartus Prime Pro Edition\)](#) on page 19
- [Testbench](#) on page 209
- [Generating IP Cores](#) on page 17

2.6. Simulating IP Cores

The Intel Quartus Prime software supports RTL and gate-level design simulation of Intel FPGA IP cores in supported EDA simulators⁽⁴⁾. Simulation involves setting up your simulator working environment, compiling simulation model libraries, and running your simulation.

You can use the functional simulation model and the testbench generated with your IP core for simulation. The functional simulation model and testbench files are generated in a project subdirectory. This directory may also include scripts to compile and run the testbench. For a complete list of models or libraries required to simulate your IP core, refer to the scripts generated with the testbench. You can use the Intel Quartus Prime NativeLink feature to automatically generate simulation files and scripts. NativeLink launches your preferred simulator from within the Intel Quartus Prime software.

Note: The Intel Quartus Prime Pro Edition software does not support NativeLink RTL simulation.

(4) The Aldec Riviera-PRO simulator is not supported for this IP core.

Related Information

Simulating Intel FPGA IP Cores

2.6.1. Simulating the Testbench with the ModelSim Simulator

To simulate the RapidIO II IP core testbench using the Mentor Graphics ModelSim simulator, perform the following steps:

1. Start the ModelSim simulator.
2. In ModelSim, change directory to the directory where the testbench simulation script is located:
 - For Intel Arria 10, Intel Stratix 10, and Intel Cyclone 10 GX variations, change directory to `<your_ip>/sim/mentor`.
 - For all other device variations you generate from the Intel Quartus Prime IP Catalog, change directory to `<your_ip>_sim/mentor`.
 - For all other device variations you generate from the Platform Designer IP Catalog, change directory to `<Qsys_system or your_ip>/simulation/mentor`.
3. To set up the required libraries, compile the generated simulation model, and exercise the simulation model with the provided testbench, type one of the following sets of commands:
 - a. For V-series FPGA variations using the Intel Quartus Prime IP Catalog, type the following commands:

```
do msim_setup.tcl
set TOP_LEVEL_NAME <your_ip>.tb_rio
ld
run -all
```

For example:

```
set TOP_LEVEL_NAME my_srio.tb_rio
```

where "my_srio" is the IP variation.

- b. For V-series FPGA variations using the Platform Designer IP Catalog, type the following commands:

```
do msim_setup.tcl
set TOP_LEVEL_NAME <instance_name>.tb_rio
ld
run -all
```

For example:

```
set TOP_LEVEL_NAME rapidio2_0.tb_rio
```

where "rapidio2_0" is the instance name.

- c. For Intel Arria 10 variations using the Intel Quartus Prime Standard Edition software, type the following commands:

```
do msim_setup.tcl
set TOP_LEVEL_NAME <your_ip>_altera_rapidio2_<version>.tb_rio
ld
run -all
```



For example:

```
set TOP_LEVEL_NAME my_srio_altera_rapidio2_171.tb_rio
```

where "my_srio" is the IP variation.

- d. For Intel Arria 10, Intel Stratix 10 and Intel Cyclone 10 GX variations using the Intel Quartus Prime Pro Edition software, type the following commands:

```
do msim_setup.tcl
set TOP_LEVEL_NAME altera_rapidio2_<version>.tb_rio
ld
run -all
```

For example:

```
set TOP_LEVEL_NAME altera_rapidio2_171.tb_rio
```

Simulation of the testbench might take few minutes. The testbench displays a TESTBENCH_PASSED message after completion.

2.6.2. Simulating the Testbench with the VCS Simulator

To simulate the RapidIO II IP core testbench using the Synopsys VCS simulator, perform the following steps:

1. Change directory to the directory where the testbench simulation script is located:
 - For Intel Arria 10, Intel Stratix 10 and Intel Cyclone 10 GX variations, change directory to `<your_ip>/sim/synopsys/vcs`.
 - For all other device variations you generate from the Intel Quartus Prime IP Catalog, change directory to `<your_ip>_sim/synopsys/vcs`.
 - For all other device variations you generate from the Platform Designer IP Catalog, change directory to `<Qsys_system or your_ip>/simulation/synopsys/vcs`.
2. Type the following commands:

```
sh vcs_setup.sh TOP_LEVEL_NAME="tb_rio"
./simv
```

2.6.3. Simulating the Testbench with the NCSim Simulator

To simulate the RapidIO II IP core testbench using the Cadence NCSim* simulator, perform the following steps:

1. Change directory to the directory where the testbench simulation script is located:



- For Intel Arria 10, Intel Stratix 10 and Intel Cyclone 10 GX variations, change directory to `<your_ip>/sim/cadence`.
- For all other device variations you generate from the Intel Quartus Prime IP Catalog, change directory to `<your_ip>_sim/cadence`.
- For all other device variations you generate from the Platform Designer IP Catalog, change directory to `<Qsys_system or your_ip>/simulation/cadence`.

2. Type the following command:

```
sh ncsim_setup.sh TOP_LEVEL_NAME="tb_rio" USER_DEFINED_SIM_OPTIONS="-input  
\\ "@run\ 2ms\;\ exit\"
```

2.6.4. Simulating the Testbench with the Xcelium Parallel Simulator

To simulate the RapidIO II IP core testbench using the Cadence Xcelium parallel simulator, perform the following steps:

1. Change directory to the directory where the testbench simulation script is located:

- For Intel Arria 10, Intel Stratix 10 variations, change directory to `<your_ip>/sim/cadence`.
- For all other device variations you generate from the Intel Quartus Prime IP Catalog, change directory to `<your_ip>_sim/xcelium`.
- For all other device variations you generate from the Platform Designer IP Catalog, change directory to `<Qsys_system or your_ip>/simulation/xcelium`.

2. Type the following command:

```
sh xcelium_setup.sh TOP_LEVEL_NAME="tb_rio" USER_DEFINED_SIM_OPTIONS="-  
input\\ "@run\ 2ms\;\ exit\"
```

2.7. Integrating Your IP Core in Your Design

When you integrate your IP core instance in your design, you must pay attention to some additional requirements. If you generate your IP core from the Platform Designer IP catalog and build your design in Platform Designer, you can perform these steps in Platform Designer. If you generate your IP core directly from the Intel Quartus Prime IP catalog, you must implement these steps manually in your design.

2.7.1. Dynamic Transceiver Reconfiguration Controller

RapidIO II IP core variations that target an Arria V, Arria V GZ, Cyclone V, Stratix V device require an external reconfiguration controller to function correctly in hardware. RapidIO II IP core variations that target an Intel Arria 10, Intel Stratix 10 or Intel Cyclone 10 GX device include a reconfiguration controller block and do not require an external reconfiguration controller. However, you need to control dynamic transceiver reconfiguration in Intel Arria 10, Intel Stratix 10 and Intel Cyclone 10 GX devices through dynamic reconfiguration interface if you turn on that interface in the RapidIO II parameter editor.



Keeping the reconfiguration controller external to the IP core in these devices provides the flexibility to share the reconfiguration controller among multiple IP cores and to accommodate FPGA transceiver layouts based on the usage model of your application. In Intel Arria 10 and Intel Stratix 10 devices, you can configure individual transceiver channels flexibly through an Avalon-MM transceiver reconfiguration interface.

Intel recommends that you implement the reconfiguration controller using the Transceiver Reconfiguration Controller. The Transceiver Reconfiguration Controller performs offset cancellation during bring-up of the transceiver channels.

The Transceiver Reconfiguration Controller is available in the IP catalog. You must add it to your design and connect it to the RapidIO II IP core reconfiguration signals.

In the Transceiver Reconfiguration Controller parameter editor, you select the features of the transceiver that can be dynamically reconfigured. However, you must ensure that the following two features are turned on:

- Enable PLL calibration
- Enable Analog controls

An informational message in the RapidIO II parameter editor tells you the number of reconfiguration interfaces you must configure in your dynamic reconfiguration block.

The Reconfiguration Controller communicates with the RapidIO II IP core on two busses:

- `reconfig_to_xcvr` (output)
- `reconfig_from_xcvr` (input)

Each of these busses connects to the bus of the same name in the RapidIO II IP core. You must also connect the following Reconfiguration Controller signals:

- `mgmt_clk_clk`
- `mgmt_rst_reset`
- `reconfig_busy`

Related Information

- [Transceiver Reconfiguration Controller IP Core Overview](#)
Provides more information about the Transceiver Reconfiguration Controller for Arria V, Arria V GZ, Cyclone V, and Stratix V devices.
- [Intel Arria 10 Transceiver PHY User Guide](#)
For more details about the transceiver reset and dynamic reconfiguration of transceiver channels and PLLs.
- [Intel Stratix 10 GX 2800 L-Tile ES-1 Transceiver PHY User Guide](#)
For more details about the transceiver reset and dynamic reconfiguration of transceiver channels and PLLs.
- [Intel Stratix 10 L- and H-Tile Transceiver PHY User Guide](#)
For more details about the transceiver reset and dynamic reconfiguration of transceiver channels and PLLs.
- [Intel Cyclone 10 GX Transceiver PHY User Guide](#)
For more details about the transceiver reset, dynamic reconfiguration of transceiver channels and PLLs.

2.7.2. Transceiver PHY Reset Controller

You must add a Transceiver PHY Reset Controller IP core to your design, and connect it to the RapidIO II IP core reset signals. This block implements a reset sequence that resets the device transceivers correctly.

In the Transceiver PHY Reset Controller parameter editor, you must perform the following for compatibility with the RapidIO II IP core:

- Select the **Use separate RX reset per channel** option.

When you generate a RapidIO II IP core that target an Intel Arria 10, Intel Stratix 10, or Intel Cyclone 10 GX device, the Intel Quartus Prime software generates the HDL code for the Transceiver PHY Reset Controller in the following file: `<your_ip>/altera_rapidio2_<version>/synth/<your_ip>_altera_rapidio2_<version>_<random_string>.v/.vhd(5)`

Related Information

- [Transceiver PHY Reset Controller IP Core](#)
For Arria V, Arria V GZ, Cyclone V, and Stratix V devices.
- [Using the Transceiver PHY Reset Controller](#)
For Arria 10 devices.
- [Resetting Transceiver Channels](#)
For Stratix 10 devices.
- [Reset for RapidIO II IP Cores](#) on page 51

2.7.3. Transceiver Settings

Intel recommends that you maintain the default Native PHY IP core settings generated for the RapidIO II IP core. If you edit the existing Native PHY IP core, the regenerated Native PHY IP core does not instantiate correctly in the top-level RapidIO II IP core. If you must modify transceiver settings, perform the modifications by editing the project Quartus Settings File (**.qsf**).

2.7.4. Adding Transceiver Analog Settings for Arria V GZ and Stratix V Variations

In general, Intel recommends that you maintain the default transceiver settings specified by the RapidIO II IP core. However, Arria V GZ or Stratix V variations require that you specify some analog transceiver settings.

⁽⁵⁾ For Intel Arria 10, Intel Stratix 10 and Intel Cyclone 10 GX devices, please refer to `<your_ip>_generation.rpt` file to get the filename for Transceiver PHY Reset Controller HDL code, listed in the line: `phy_reset_controller_wrapper_name: <PHY Reset Controller name>`



After you generate your RapidIO II IP core in a Intel Quartus Prime project that targets an Arria V GZ or Stratix V device, perform the following steps:

1. In the Intel Quartus Prime software, on the **Assignments** tab, click **Assignment Editor**.
2. In the Assignment Editor, in the **Assignment Name** column, double click <<new>> and select **Transceiver Analog Settings Protocol**.
3. In the **To** column, type the name of the transceiver serial data input node in your IP core variation. This name is the variation-specific version of the `rd` signal.
4. In the **Value** column, click and select **SRIO**.
5. Repeat steps 2 to 4 to create an additional assignment, In step 3, instead of typing the name of the transceiver serial data input node, type the name of the transceiver serial data output node. This name is the variation-specific version of the `td` signal.

2.7.5. External Transceiver PLL

RapidIO II IP cores that target an Intel Arria 10, Intel Stratix 10, or Intel Cyclone 10 GX device require an external TX transceiver PLL to compile and to function correctly in hardware. You must instantiate and connect this IP core to the RapidIO II IP core.

You can create an external transceiver PLL from the IP Catalog. Select the ATX PLL IP core or the fPLL IP core. In the PLL parameter editor, set the following parameter values:

- Set **PLL output frequency** to one half the value you select for the **Maximum baud rate** parameter in the RapidIO II parameter editor. The transceiver performs dual edge clocking, using both the rising and falling edges of the input clock from the PLL. Therefore, this PLL output frequency setting supports the customer-selected maximum data rate on the RapidIO link.
- Set PLL reference clock frequency to the value you select for the **Reference clock frequency** parameter in the RapidIO II parameter editor.
- Turn on **Include Master Clock Generation Block**.
- Turn on **Enable bonding clock output ports**.
- Set **PMA interface width** to 20.

When you generate a RapidIO II IP core, the Intel Quartus Prime software also generates the HDL code for an ATX PLL, in the following file:

```
<your_ip>/altera_rapidio2_<version>/synth/  
<your_ip>_altera_rapidio2_<version>_<random_string>.v/.vhd(6)
```

However, the HDL code for the RapidIO II IP core does not instantiate the ATX PLL. If you choose to use the ATX PLL provided with the RapidIO II IP core, you must instantiate and connect the ATX PLL instance with the RapidIO II IP core in user logic.

⁽⁶⁾ For Intel Arria 10 and Intel Stratix 10 devices, please refer to `<your_ip>_generation.rpt` file to get the filename for ATX PLL HDL code, listed in the line: `atx_pll_wrapper_name: <atx_pll name>`.

Table 7. External Transceiver TX PLL Connections to RapidIO II IP Core

You must connect the TX PLL IP core to the RapidIO II IP core according to the following rules.

Signal	Direction	Connection Requirements
pll_refclk0	Input	Drive the PLL pll_refclk0 input port and the RapidIO II IP core tx_pll_refclk signal from the same clock source. The minimum allowed frequency for the pll_refclk0 clock in the Intel Arria 10 ATX PLL is 100 MHz.
tx_bonding_clocks [(6 x <number of lanes>)-1:0]	Output	Connect tx_bonding_clocks[6n+5:6n] to the tx_bonding_clocks_chN input bus of transceiver channel N, for each transceiver channel N that connects to the RapidIO link. The transceiver channel input ports are RapidIO II IP core input ports.

Related Information

- [Intel Arria 10 Transceiver PHY User Guide](#)
For more details about the transceiver reset and dynamic reconfiguration of transceiver channels and PLLs.
- [Intel Stratix 10 GX 2800 L-Tile ES-1 Transceiver PHY User Guide](#)
For more details about the transceiver reset and dynamic reconfiguration of transceiver channels and PLLs.
- [Intel Stratix 10 L- and H-Tile Transceiver PHY User Guide](#)
For more details about the transceiver reset and dynamic reconfiguration of transceiver channels and PLLs.
- [Intel Cyclone 10 GX Transceiver PHY User Guide](#)
For more details about the transceiver reset, dynamic reconfiguration of transceiver channels and PLLs.

2.8. Compiling the Full Design and Programming the FPGA

You can use the **Start Compilation** command on the **Processing** menu in the Intel Quartus Prime software to compile your design. After successfully compiling your design, program the targeted Intel device with the Programmer and verify the design in hardware.

2.9. Instantiating Multiple RapidIO II IP Cores in V-series FPGA devices

If you want to instantiate multiple RapidIO II IP cores that target an Arria V, Arria V GZ, Cyclone V, or Stratix V device, a few additional steps are required. These steps are not relevant for variations that target any Intel Arria 10 or Intel Stratix 10 devices.

The Arria V, Arria V GZ, Cyclone V, and Stratix V transceivers are configured with the Native PHY IP core. When your design contains multiple RapidIO II IP cores, the Intel Quartus Prime Fitter handles the merge of multiple Native PHY IP cores in the same transceiver block automatically, if they meet the merging requirements.

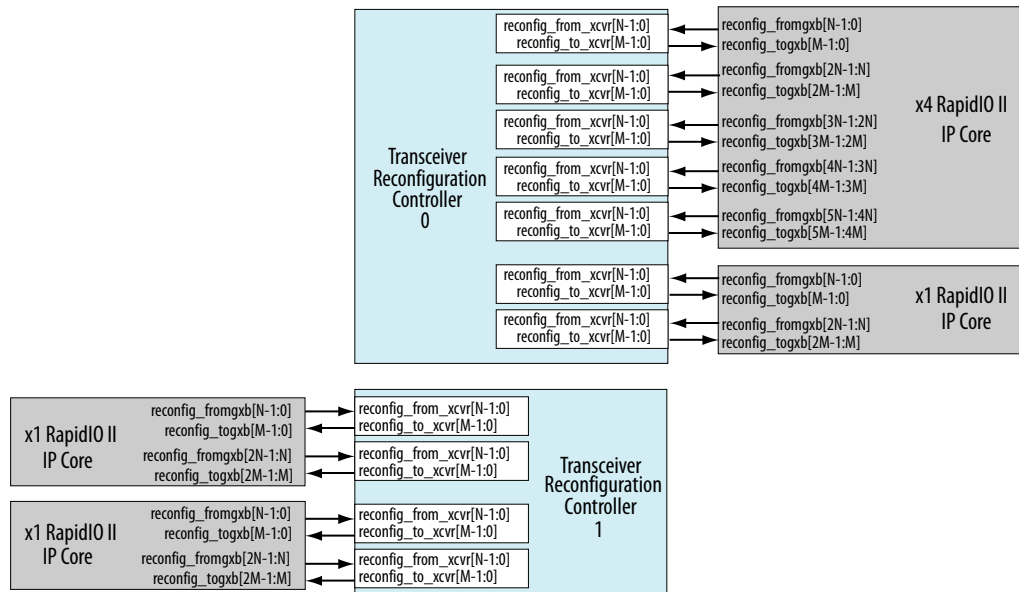
If you have different RapidIO II IP cores in different transceiver blocks on your device, you may choose to include multiple Transceiver Reconfiguration Controllers in your design. However, you must ensure that the Transceiver Reconfiguration Controllers that you add to your design have the correct number of interfaces to control dynamic reconfiguration of all your RapidIO II IP core transceivers. The correct total number of reconfiguration interfaces is the sum of the reconfiguration interfaces for each RapidIO



II IP core; the number of reconfiguration interfaces for each RapidIO II IP core is the number of channels plus one. You must ensure that the `reconfig_togxb` and `reconfig_fromgxb` signals of an individual RapidIO II IP core connect to a single Transceiver Reconfiguration Controller.

For example, if your design includes one $\times 4$ RapidIO II IP core and three $\times 1$ RapidIO II IP cores, the Transceiver Reconfiguration Controllers in your design must include eleven dynamic reconfiguration interfaces: five for the $\times 4$ RapidIO II IP core, and two for each of the $\times 1$ RapidIO II IP cores. The dynamic reconfiguration interfaces connected to a single RapidIO II IP core must belong to the same Transceiver Reconfiguration Controller. In most cases, your design has only a single Transceiver Reconfiguration Controller, which has eleven dynamic reconfiguration interfaces. If you choose to use two Transceiver Reconfiguration Controllers, for example, to accommodate placement and timing constraints for your design, each of the RapidIO II IP cores must connect to a single Transceiver Reconfiguration Controller.

Figure 9. Example Connections Between Two Transceiver Reconfiguration Controllers and Four RapidIO II IP Cores



In the example, Transceiver Reconfiguration Controller 0 has seven reconfiguration interfaces, and Transceiver Reconfiguration Controller 1 has four reconfiguration interfaces. Each sub-block shown in a Transceiver Reconfiguration Controller block represents a single reconfiguration interface. The example shows only one possible configuration for this combination of RapidIO II IP cores; subject to the constraints described, you may choose a different configuration.

Related Information

[V-Series Transceiver PHY IP Core User Guide](#)

For Arria V, Arria V GZ, Cyclone V, and Stratix V devices.

3. Parameter Settings

You customize the RapidIO II IP core by specifying parameters in the RapidIO II parameter editor, which you access from the MegaWizard Plug-In Manager or the Platform Designer system integration tool in the Intel Quartus Prime software.

In the RapidIO II parameter editor, you use the following tabs to parameterize the RapidIO II IP core:

- Physical Layer
- Transport Layer
- Logical Layer
- Capability Registers
- Command and Status Registers
- Error Management Registers

3.1. Physical Layer Settings

The Physical layer includes RapidIO II specific logic configuration and transceiver configuration.

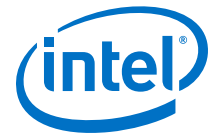
The RapidIO II IP core instantiates a Native PHY IP core to configure the transceivers. The RapidIO II IP core provides no parameters to modify this configuration directly. Intel recommends you do not modify the default transceiver settings configured in the Native PHY IP core instance generated with the RapidIO II IP core.

The **Physical Layer** tab defines the characteristics of the Physical layer based on these categories: **Mode Selection**, **Data Settings**, and **Transceiver Settings**⁽⁷⁾.

Related Information

- [V-Series Transceiver PHY IP Core User Guide](#)
For Arria V, Arria V GZ, Cyclone V, and Stratix V devices.
- [Intel Arria 10 Transceiver PHY User Guide](#)
For more details about the transceiver reset and dynamic reconfiguration of transceiver channels and PLLs.
- [Intel Stratix 10 GX 2800 L-Tile ES-1 Transceiver PHY User Guide](#)
For more details about the transceiver reset and dynamic reconfiguration of transceiver channels and PLLs.
- [Intel Stratix 10 L- and H-Tile Transceiver PHY User Guide](#)
For more details about the transceiver reset and dynamic reconfiguration of transceiver channels and PLLs.

⁽⁷⁾ Only available in Intel Arria 10, Intel Stratix 10 and Intel Cyclone 10 GX variations.



- [Intel Cyclone 10 GX Transceiver PHY User Guide](#)
For more details about the transceiver reset, dynamic reconfiguration of transceiver channels and PLLs.



3.1.1. Mode Selection

Mode Selection comprise the **Supported modes** option.

The **Supported modes** parameter allows you to specify the 1x, 2x, and 4x modes of operation. All RapidIO II IP core variations support 1x mode. The RapidIO II IP core initially attempts link initialization in the maximum number of lanes that the variation supports. The IP core supports fallback to lower numbers of ports.

3.1.2. Data Settings

Data Settings set the **Maximum baud rate** and **Reference clock frequency**.

Maximum Baud Rate

Maximum baud rate defines the maximum supported baud rate. The RapidIO II IP core does not support automatic baud rate discovery.

Table 8. Baud rates supported by the RapidIO II IP core

Device Family	Mode									
	1x, 2x					4x				
	Baud Rate (MBaud)									
	1250	2500	3125	5000	6250	1250	2500	3125	5000	6250
Intel Cyclone 10 GX	Yes	Yes	Yes	Yes	Yes	Yes	Yes	Yes	Yes	Yes
Intel Stratix 10	Yes	Yes	Yes	Yes	Yes	Yes	Yes	Yes	Yes	Yes
Intel Arria 10	Yes	Yes	Yes	Yes	Yes	Yes	Yes	Yes	Yes	Yes
Arria V	Yes	Yes	Yes	Yes	Yes	Yes	Yes	Yes	Yes	Yes
Cyclone V	Yes	Yes	Yes	Yes ⁽⁸⁾	No	Yes	Yes	Yes	Yes ⁽⁸⁾	No
Stratix V	Yes	Yes	Yes	Yes	Yes	Yes	Yes	Yes	Yes	Yes

Reference Clock Frequency

Reference clock frequency defines the frequency of the reference clock for your RapidIO II IP core internal transceiver. The RapidIO II parameter editor allows you to select any frequency supported by the transceiver.

Related Information

- [Device Speed Grades](#) on page 12
Provides more information about the speed grades the RapidIO II IP core supports for each device family, modes, and baud rate combination.
- [Clocking and Reset Structure](#) on page 50
Provides more information about the reference clock in high-speed transceiver blocks, and the supported frequencies.

⁽⁸⁾ In the Cyclone V device family, only Cyclone V GT devices support the 5.0 GBaud rate.



3.1.3. Transceiver Settings

Table 9. Transceiver Settings

In the table below, all the parameters except **VCCR_GXB**, **VCCT_GXB**, and **Transceiver Tile** are only available when you turn on the **Enable transceiver dynamic reconfiguration** parameter.

Parameter	Value	Device Family	Software Support	Description
Transceiver Tile	L-Tile, H-Tile	Intel Stratix 10	Intel Quartus Prime Pro Edition	Specifies the transceiver tile on your target Intel Stratix 10 device. The Device settings of the Intel Quartus Prime Pro Edition project in which you generate the IP core determines the transceiver tile type. In Intel Quartus Prime Pro Edition 17.1, this parameter is grayed out. The correct tile is derived when you select a device for the project. The IP generates the correct tile type for your target Intel Stratix 10 device.
VCCR_GXB and VCCT_GXB supply voltage for the transceivers	1.0 V, 1.1 V	Intel Stratix 10	Intel Quartus Prime Pro Edition	This parameter specifies the VCCR_GXB and VCCT_GXB transceiver supply voltage. The default value is 1.0 V.
Enable transceiver dynamic reconfiguration	On/Off	Intel Arria 10, Intel Stratix 10, and Intel Cyclone 10 GX	Intel Quartus Prime Standard Edition, Intel Quartus Prime Pro Edition	This parameter specifies that the IP core instantiates Intel Arria 10 or Intel Stratix 10 Transceiver Native PHY with dynamic reconfiguration enabled. If you do not expect to use this interface, you can turn off this parameter to lower the number of IP core signals to route.
Enable transceiver Altera Debug Master Endpoint (ADME)	On/Off	Intel Arria 10, Intel Stratix 10 and Intel Cyclone 10 GX	Intel Quartus Prime Standard Edition, Intel Quartus Prime Pro Edition	When you turn on this option, an embedded Altera Debug Master Endpoint connects internally to the Avalon-MM slave interface for dynamic reconfiguration. The ADME can access the reconfiguration space of the transceiver. It uses JTAG via the System Console to run tests and debug functions.
Transceiver Share reconfiguration interface	On/Off	Intel Arria 10, Intel Stratix 10 and Intel Cyclone 10 GX	Intel Quartus Prime Standard Edition, Intel Quartus Prime Pro Edition	When you turn on this option, the Native PHY presents a single Avalon-MM slave interface for dynamic reconfiguration of all channels. In this configuration, the upper address bits (for Intel Arria 10 devices - $[\log_2\langle N \rangle + 9:10]$ and for Intel Stratix 10 devices - $[\log_2\langle N \rangle + 10:11]$) of the reconfiguration address bus specify the selected channel and the lower address bits (for Intel Arria 10 devices - $[9:0]$ and for Intel Stratix 10 devices - $[10:0]$) provide the register offset address within the reconfiguration space of the selected channel. This option is unavailable in 1x mode. This option is auto-enabled when you turn on

continued...

Parameter	Value	Device Family	Software Support	Description
				the Enable transceiver Altera Debug Master Endpoint (ADME) option.
Enable Transceiver capability registers	On/Off	Intel Arria 10, Intel Stratix 10	Intel Quartus Prime Standard Edition, Intel Quartus Prime Pro Edition	Turn on this option to enable capability registers. These registers provide high-level information about the transceiver channel's / PLL's configuration.
Set user-defined IP identifier	User-specified	Intel Arria 10, Intel Stratix 10 and Intel Cyclone 10 GX	Intel Quartus Prime Standard Edition, Intel Quartus Prime Pro Edition	Sets a user-defined numeric identifier that can be read from the user_identifier offset when the capability registers are enabled.
Enable Transceiver control and status registers	On/Off	Intel Arria 10, Intel Stratix 10 and Intel Cyclone 10 GX	Intel Quartus Prime Standard Edition, Intel Quartus Prime Pro Edition	Turn on this option to enable soft registers for reading status signals and writing control signals on the PHY /PLL interface through the reconfiguration interface.
Enable Transceiver PRBS soft accumulators	On/Off	Intel Arria 10, Intel Stratix 10 and Intel Cyclone 10 GX	Intel Quartus Prime Standard Edition, Intel Quartus Prime Pro Edition	Turn on this option to enable soft logic to perform PRBS bit and error accumulation when using the hard PRBS generator and checker.

Related Information

- [Intel Arria 10 Transceiver PHY User Guide](#)
For more details about the transceiver reset and dynamic reconfiguration of transceiver channels and PLLs.
- [Intel Stratix 10 GX 2800 L-Tile ES-1 Transceiver PHY User Guide](#)
For more details about the transceiver reset and dynamic reconfiguration of transceiver channels and PLLs.
- [Intel Stratix 10 L- and H-Tile Transceiver PHY User Guide](#)
For more details about the transceiver reset and dynamic reconfiguration of transceiver channels and PLLs.
- [Intel Cyclone 10 GX Transceiver PHY User Guide](#)
For more details about the transceiver reset, dynamic reconfiguration of transceiver channels and PLLs.

3.2. Transport Layer Settings

The Transport layer settings specify properties of the Transport layer in your RapidIO II IP core variation. These parameters determine whether the RapidIO II IP core uses 8-bit or 16-bit device IDs, whether the Transport layer has an Avalon-ST pass-through interface, and how the RapidIO II IP core handles a request packet with a supported `ftype` but a destination ID not assigned to this endpoint.

3.2.1. Enable 16-Bit Device ID Width

The Enable 16-bit device ID width setting specifies a device ID width of 8-bit or 16-bit. RapidIO packets contain destination ID and source ID fields, which have the specified width. If this IP core uses 16-bit device IDs, it supports large common transport systems.



The two parameter values do not cause symmetrical behavior. If you turn on this option, the IP core can still support user logic that processes packets with 8-bit device IDs. You can parameterize the IP core to route such packets to the Avalon-ST passthrough interface, where user logic might handle it. However, if you turn off this option, the RapidIO II IP core drops all incoming packets with a 16-bit device ID.

Related Information

[Transport Layer](#) on page 117

3.2.2. Enable Avalon-ST Pass-Through Interface

Turn on Enable Avalon-ST pass-through interface to include the Avalon-ST pass-through interface in your RapidIO II variation.

The Transport layer routes all unrecognized packets to the Avalon-ST pass-through interface. Unrecognized packets are those that contain Format Types (`ftypes`) for Logical layers not enabled in this IP core, or destination IDs not assigned to this endpoint. However, if you disable destination ID checking, the packet is a request packet with a supported `ftype`, and the Transport Type (`tt`) field of the packet matches the device ID width setting of this IP core, the packet is routed to the appropriate Logical layer.

Note: The destination ID can match this endpoint only if the `tt` field in the packet matches the device ID width setting of the endpoint.

Request packets with a supported `ftype` and correct `tt` field, but an unsupported `ttype`, are routed to the Logical layer supporting the `ftype`, which allows the following tasks:

- An `ERROR` response can be sent to requests that require a response.
- An `unsupported_transaction` error can be recorded in the Error Management extension registers.

Response packets are routed to a Logical layer module or the Avalon-ST pass-through port based on the value of the target transaction ID field.

Related Information

- [Avalon-ST Pass-Through Interface](#) on page 96
- [Transaction ID Ranges](#) on page 96

3.2.3. Disable Destination ID Checking

Disable destination ID checking by default determines the default value of the option to route a request packet with a supported `ftype` but a destination ID not assigned to this endpoint.

You specify the initial value for the option in the RapidIO II parameter editor, and software can change it by modifying the value of the `DIS_DEST_ID_CHK` field of the `Port 0 Control CSR`. By default, this parameter is turned off.

Related Information

[Port 0 Control CSR](#) on page 164

3.3. Logical Layer Settings

The Logical layer settings specify properties of the following Logical layer modules:

- Maintenance module
- Doorbell module
- I/O master module
- I/O slave module

3.3.1. Maintenance Module Settings

The Maintenance module settings specify properties of the Maintenance Logical layer.

If you turn on **Enable Maintenance module**, a Maintenance module is configured in your RapidIO II IP core.

If the Maintenance module is enabled, the *Maintenance address bus width* parameter is available to determine the Maintenance slave interface address bus width. This parameter currently supports only a 24-bit address width.

This parameter controls the width of the Maintenance slave interface address bus only. The Maintenance master interface address bus is 32 bits wide. The Maintenance module supports RapidIO MAINTENANCE read and write operations and MAINTENANCE port-write operations.

Related Information

[Maintenance Module](#) on page 81

3.3.2. Doorbell Module Settings

The Doorbell module settings specify properties of the Doorbell Logical layer module.

If you turn on **Enable Doorbell support**, a Doorbell module is configured in your RapidIO II IP core to support generation of outbound RapidIO DOORBELL messages and reception and processing of inbound DOORBELL messages.

If this parameter is turned off, received DOORBELL messages are routed to the Avalon-ST pass-through interface if it is enabled, or are silently dropped if the pass-through interface is not enabled.

If the Doorbell module and the I/O slave module are both enabled, the *Prevent doorbell messages from passing write transactions* parameter is available. This parameter controls support for preserving transaction order between DOORBELL messages and I/O write request transactions sent to the IP core by user logic.

Related Information

[Doorbell Module](#) on page 92

3.3.3. I/O Master Module Settings

The I/O Master module settings specify properties of the I/O Logical layer Avalon-MM Master module.



If you turn on **Enable I/O Logical layer Master module**, an I/O Master module is configured in your RapidIO II IP core.

If the I/O Logical layer Master module is enabled, the *Number of Rx address translation windows* parameter is available. This parameter allows you to specify a value from 1 to 16 to define the number of receive address translation windows the I/O Master Logical layer supports.

Related Information

[Input/Output Avalon-MM Master Module](#) on page 57

3.3.4. I/O Slave Module Settings

The I/O Slave module settings specify properties of the I/O Logical layer Avalon-MM Slave module.

If you turn on **Enable I/O Logical layer Slave module**, an I/O Slave module is configured in your RapidIO II IP core. Turning on this parameter makes the following I/O Slave module parameters available in the parameter editor:

- *Number of Tx address translation windows* allows you to specify a value from 1 to 16 to define the number of transmit address translation windows the I/O Slave Logical layer supports.
- *I/O Slave address bus width* currently supports widths between 10 and 32 bits, inclusive.

Related Information

[Input/Output Avalon-MM Slave Module](#) on page 67

3.4. Capability Registers Settings

The Capability Registers tab lets you set values for some of the capability registers (CARs), which exist in every RapidIO processing element and allow an external processing element to determine the endpoint's capabilities through MAINTENANCE read operations. All CARs are 32 bits wide.

Note: The settings on the Capability Registers page do not cause any features to be enabled or disabled in the RapidIO II IP core. Instead, they set the values of certain bit fields in some CARs.

3.4.1. Device Identity CAR

The Device Identity CAR options identify the device and vendor IDs and set values in the Device Identity CAR.

- **Device ID** sets the `DeviceIdentity` field of the Device Identity register. This option uniquely identifies the type of device from the vendor specified in the `DeviceVendorIdentity` field of the Device Identity register.
- **Vendor ID** uniquely identifies the vendor and sets the `DeviceVendorIdentity` field in the Device Identity register. Set Vendor ID to the identifier value assigned by the RapidIO Trade Association to your company.



Related Information

[Device Identity CAR](#) on page 174

3.4.2. Device Information CAR

The Device Information CAR option identifies the revision ID and sets its value in the Device Information CAR.

- **Revision ID** identifies the revision level of the device and sets the value of the DeviceRev field in the DeviceRev field of the Device Information register. This value is assigned and managed by the vendor specified in the VendorIdentity field of the Device Identity register.

Related Information

[Device Information CAR](#) on page 174

3.4.3. Assembly Identity CAR

The Assembly Identity CAR options identify the vendor who manufactured the assembly or subsystem of the device, and sets these values in the Assembly Identity CAR.

- **Assembly ID** corresponds to the AssyIdentity field of the Assembly Identity register, which uniquely identifies the type of assembly. This field is assigned and managed by the vendor specified in the AssyVendorIdentity field of the Assembly Identity register.
- **Assembly Vendor ID** uniquely identifies the vendor who manufactured the assembly. This value corresponds to the AssyVendorIdentity field of the Assembly Identity register.

Related Information

[Assembly Identity CAR](#) on page 174

3.4.4. Assembly Information CAR

The Assembly Information CAR options identify the vendor who manufactured the assembly or subsystem of the device and the pointer to the first entry in the Extended Features list, and sets these values in the Assembly Information CAR.

- **Revision ID** indicates the revision level of the assembly and sets the AssyRev field of the Assembly Information CAR. In the Platform Designer design flow, this parameter is labeled **Assembly revision ID**.

Related Information

[Assembly Information CAR](#) on page 174

3.4.5. Processing Element Features CAR

The Processing Element Features CAR identifies the major features of the processing element.



- **Bridge Support**, when turned on, sets the `Bridge` bit in the `Processing Element Features CAR` and indicates that this processing element can bridge to another interface such as PCI Express, a proprietary processor bus such as Avalon-MM, DRAM, or other interface.
- **Memory Access**, when turned on, sets the `Memory` bit in the `Processing Element Features CAR` and indicates that the processing element has physically addressable local address space that can be accessed as an endpoint through non-maintenance operations. This local address space may be limited to local configuration registers, or can be on-chip SRAM, or another memory device.
- **Processor Present**, when turned on, sets the `Processor` bit in the `Processing Element Features CAR` and indicates that the processing element physically contains a local processor such as the Nios® II embedded processor or similar device that executes code. A device that bridges to an interface that connects to a processor should set the `Bridge` bit instead of the `Processor` bit.
- **Enable Flow Arbitration Support**, when turned on, sets the `Flow Arbitration Support` bit in the `Processing Element Features CAR` and indicates that the processing element supports flow arbitration. The IP core routes Type 7 packets to the Avalon-ST pass-through interface, so user logic must implement flow control on the Avalon-ST pass-through interface.
- **Enable Standard Route Table Configuration Support**, when turned on, sets the `Standard route table configuration support` bit in the `Processing Element Features CAR` and indicates that the processing element supports the standard route table configuration mechanism.

This property is relevant in switch processing elements only.

If you turn on Enable standard route table configuration support, user logic must implement the functionality and registers to support standard route table configuration. The RapidIO II IP core does not implement the Standard Route CSRs at offsets 0x70, 0x74, and 0x78.
- **Enable Extended Route Table Configuration Support**

If you turn on Enable standard route table configuration support, the Enable extended route table configuration support parameter is available.

Enable extended route table configuration support, when turned on, sets the `Extended route table configuration support` bit in the `Processing Element Features CAR` and indicates that the processing element supports the extended route table configuration mechanism.

This property is relevant in switch processing elements only.

If you turn on Enable extended route table configuration support, user logic must implement the functionality and registers to support extended route table configuration. The RapidIO II IP core does not implement the Standard Route CSRs at offsets 0x70, 0x74, and 0x78.
- **Enable Flow Control Support**, when turned on, sets the `Flow Control Support` bit in the `Processing Element Features CAR` and indicates that the processing element supports flow control.
- **Enable Switch Support**, when turned on, sets the `Switch` bit in the `Processing Element Features CAR` and indicates that the processing element can bridge to another external RapidIO interface. A processing element that only bridges to a local endpoint is not considered a switch port.

Related Information

[Processing Element Features CAR](#) on page 175

3.4.6. Switch Port Information CAR

If you turn on **Enable switch support**, the following parameters are available:

- **Number of Ports** specifies the total number of ports on the processing element. This value sets the `PortTotal` field of the `Switch Port Information CAR`.
- **Port Number** sets the `PortNumber` field of the `Switch Port Information CAR`. This value is the number of the port from which the `MAINTENANCE` read operation accesses this register.

Related Information

[Switch Port Information CAR](#) on page 176

3.4.7. Switch Route Table Destination ID Limit CAR

- **Switch Route Table Destination ID Limit** sets the `Max_destID` field of the `Switch Route Table Destination ID Limit CAR`.

Related Information

[Switch Route Table Destination ID Limit CAR](#) on page 179

3.4.8. Data Streaming Information CAR

- **Maximum PDU** sets the `MaxPDU` field of the `Data Streaming Information CAR`.
- **Number of Segmentation Contexts** sets the `SegSupport` field of the `Data Streaming Information CAR`.

Related Information

[Data Streaming Information CAR](#) on page 179

3.4.9. Source Operations CAR

The `Source operations CAR` override parameter supports user input to the values of all of the fields of the `Source Operations CAR`. You can use this parameter to specify that your RapidIO II IP core variation handles some specific functionality through the Avalon-ST pass-through port.

The 32-bit default value of the `Source Operations CAR` is determined by the functionality you enable in the RapidIO II IP core with other settings in the parameter editor. For example, if you turn on `Enable Maintenance module`, the `PORT_WRITE` field is set by default to the value of `1'b1`. However, the actual reset value of the `Source Operations CAR` is the result of the bitwise exclusive-or operation applied to the default values and the value you specify for the `Source operations CAR` override parameter.



For example, by default, the `Data Message` field of this CAR is turned off. However, you can set the value of the `Source operations CAR override` parameter to `32'h00000800` to override the default value of the `Data Message` field, to indicate that user logic attached to the Avalon-ST pass-through interface supports data message operations. The RapidIO II IP core supports reporting of data-message related errors through the standard Error Management Extensions registers.

Related Information

[Source Operations CAR](#) on page 176

3.4.10. Destination Operations CAR

The `Destination operations CAR override` parameter supports user input to the values of all of the fields of the `Destination Operations CAR`. You can use this parameter to specify that your RapidIO II IP core variation handles some specific functionality through the Avalon-ST pass-through port.

The 32-bit default value of the `Destination Operations CAR` is determined by the functionality you enable in the RapidIO II IP core with other settings in the parameter editor. For example, if you turn on `Enable Maintenance module`, the `PORT_WRITE` field is set by default to the value of `1'b1`. However, the actual reset value of the `Destination Operations CAR` is the result of the bitwise exclusive-or operation applied to the default values and the value you specify for the `Destination operations CAR override` parameter.

For example, by default, the `Data Message` field of this CAR is turned off. However, you can set the value of the `Destination operations CAR override` parameter to `32'h00000800` to override the default value of the `Data Message` field, to indicate that user logic attached to the Avalon-ST pass-through interface supports data message operations that the RapidIO II IP core receives on the RapidIO link. The RapidIO II IP core supports reporting of data-message related errors through the standard Error Management Extensions registers.

Related Information

[Destination Operations CAR](#) on page 178

3.5. Command and Status Registers Settings

The `Command and Status Registers` tab lets you set the reset values for some of the command and status registers (CSRs), which exist in every RapidIO processing element. All CSRs are 32 bits wide.

3.5.1. Data Streaming Logical Layer Control CSR

- **Supported Traffic Management Types Reset Value** sets the reset value of the `TM_TYPE_SUPPORT` field of the `Data Streaming Logical Layer Control CSR`.
- **Traffic Management Mode Reset Value** sets the reset value of the `TM_MODE` field of the `Data Streaming Logical Layer Control CSR`.
- **Maximum Transmission Unit Reset Value** sets the reset value of the `MTU` field of the `Data Streaming Logical Layer Control CSR`.

Related Information

[Data Streaming Logical Layer Control CSR](#) on page 180

3.5.2. Port General Control CSR

- **Host Reset Value** sets the reset value of the HOST field of the Port General Control CSR.
- **Master Enable Reset Value** sets the reset value of the ENA field of the Port General Control CSR.
- **Discovered Reset Value** sets the reset value of the DISCOVER field of the Port General Control CSR.

Related Information

[Port General Control CSR](#) on page 157

3.5.3. Port 0 Control CSR

- **Flow Control Participant Reset Value** sets the reset value of the Flow Control Participant field of the Port 0 Control CSR.
- **Enumeration Boundary Reset Value** sets the reset value of the Enumeration Boundary field of the Port 0 Control CSR.
- **Flow Arbitration Participant Reset Value** sets the reset value of the Flow Arbitration Participant field of the Port 0 Control CSR.

Related Information

[Port 0 Control CSR](#) on page 164

3.5.4. Lane n Status 0 CSR

- **Transmitter Type Reset Value** sets the value of the Transmitter Type field and the reset value of the Transmitter Mode field of the Lane n Status 0 CSR.
- **Receiver Type Reset Value** sets the value of the Receiver Type field of the Lane n Status 0 CSR.

Related Information

[LP-Serial Lane n Status 0](#) on page 168

3.5.5. Extended Features Pointer CSR

The Extended features pointer points to the final entry in the extended features list. This parameter supports the addition of custom user-defined registers to your RapidIO II IP core. This parameter sets the value of one of the following two register fields:



- If you do not instantiate the Error Management Extension registers, this parameter determines the value of the `EF_PTR` field of the LP-Serial Lane Extended Features Block Header register at offset 0x200.
- If you instantiate the Error Management Extension registers in your RapidIO II IP core variation, this parameter determines the value of the `EF_PTR` field of the Error Management Extensions Block Header register at offset 0x300.

Note: This parameter does not affect the Assembly Information CAR. The `ExtendedFeaturesPtr` in the Assembly Information CAR is set to the value of 0x100, which is the offset for the LP-Serial Extended Features block

3.6. Error Management Registers Settings

The Error Management Registers tab lists a single parameter, **Enable error management extension registers**.

If you turn on Enable error management extension registers, your RapidIO II IP core instantiates the Error Management Extensions register block defined in the *RapidIO Interconnect Specification Part 8: Error Management Extensions Specification*.

The RapidIO II IP core instantiates these registers at register block offset 0x300. If you do not instantiate these registers, you can specify user-defined registers at offset 0x300.

Related Information

[Error Management Registers](#) on page 192

4. Functional Description

4.1. Interfaces

The Intel RapidIO II IP core supports the following data interfaces:

- Avalon Memory Mapped (Avalon-MM) Master and Slave Interfaces
- Avalon Streaming (Avalon-ST) Interface
- RapidIO Interface

4.1.1. Avalon-MM Master and Slave Interfaces

The Avalon-MM master and slave interfaces execute transfers between the RapidIO II IP core and the system interconnect. The system interconnect allows you to use the Platform Designer system integration tool to connect any master peripheral to any slave peripheral, without detailed knowledge of either the master or slave interface. The RapidIO II IP core implements both Avalon-MM master and Avalon-MM slave interfaces.

Avalon-MM Interface Byte Ordering

The RapidIO protocol uses big endian byte ordering, whereas Avalon-MM interfaces use little endian byte ordering. No byte- or bit-order swaps occur between the 64-bit Avalon-MM protocol and RapidIO protocol, only byte- and bit-number changes. For example, RapidIO Byte0 is Avalon-MM Byte7, and for all values of i from 0 to 63, bit i of the RapidIO 64-bit double word[0:63] of payload is bit $(63-i)$ of the Avalon-MM 64-bit double word[63:0].

Table 10. Byte Ordering

Protocol	Byte Lane (Binary)							
	1000_0 000	0100_0 000	0010_0 000	0001_0 000	0000_1 000	0000_0 100	0000_0 010	0000_0 001
RapidIO Protocol (Big Endian)	Byte0 [0:7]	Byte1 [0:7]	Byte2 [0:7]	Byte3 [0:7]	Byte4 [0:7]	Byte5 [0:7]	Byte6 [0:7]	Byte7 [0:7]
	32-Bit Word[0:31] wdptr = 0				32-Bit Word[0:31] wdptr = 1			
	Double Word[0:63] RapidIO Byte Address $N = \{29'hN, 3'b000\}$							
Avalon-MM Protocol (Little Endian)	Byte7 [7:0]	Byte6 [7:0]	Byte5 [7:0]	Byte4 [7:0]	Byte3 [7:0]	Byte2 [7:0]	Byte1 [7:0]	Byte0 [7:0]

continued...



Protocol	Byte Lane (Binary)							
	1000_000	0100_000	0010_000	0001_000	0000_100	0000_010	0000_001	0000_000
	Address = N + 7	Address = N + 6	Address = N + 5	Address = N + 4	Address = N + 3	Address = N + 2	Address = N + 1	Address = N
	32-Bit Word[31:0] Avalon-MM Byte Address = N + 4				32-Bit Word[31:0] Avalon-MM Byte Address = N			
	64-bit Double Word[63:0] Avalon-MM Byte Address = N							

In variations of the RapidIO II IP core that have 128-bit wide Avalon-MM interfaces, the least significant half of the Avalon-MM 128-bit word corresponds to the 8-byte double word at RapidIO address N, and the most significant half of the Avalon-MM 128-bit word corresponds to the 8-byte double word at RapidIO address N+8. If two 8-byte double words appear in the RapidIO packet in the order dw0, followed by dw1, they appear on the 128-bit Avalon-MM interface as the 128-bit word {dw1, dw0}.

Table 11. Double-Word Ordering in a 128-Bit Avalon-MM Interface

Protocol	Avalon-MM Interface	
RapidIO Protocol (Big Endian)	Second Transmitted Double Word[0:63] RapidIO Byte Address N + 8	First Transmitted Double Word[0:63] (9) RapidIO Byte Address N = {29'hn, 3'b000}
Avalon-MM Protocol (Little Endian)	64-Bit Double Word[63:0] Avalon-MM Byte Address = N + 8	64-Bit Double Word[63:0] Avalon-MM Byte Address = N

Related Information

[Avalon Interface Specifications](#)

4.1.2. Avalon-ST Interface

The Avalon-ST interface provides a standard, flexible, and modular protocol for data transfers from a source interface to a sink interface. The Avalon-ST interface protocol allows you to easily connect components together by supporting a direct connection to the Transport layer. The Avalon-ST interface is 128 bits wide. This interface is available to create custom Logical layer functions like message passing.

Related Information

[Avalon Interface Specifications](#)

4.1.3. RapidIO Interface

The RapidIO interface complies with revision 2.2 of the RapidIO serial interface standard described in the RapidIO Trade Association specifications. The protocol is divided into a three-layer hierarchy: Physical layer, Transport layer, and Logical layer.

(9) Bit 0 of the RapidIO double word is transmitted first on the RapidIO link.

Related Information
RapidIO Specifications

4.2. Clocking and Reset Structure

All RapidIO II IP core variations have the following clock inputs:

- Avalon system clock (`sys_clk`)
- Reference clock for the transceiver Tx PLL and Rx PLL (`tx_pll_refclk`). In Intel Arria 10 and Intel Cyclone 10 GX variations, this clock port drives only the Rx PLL
- Transceiver channel clocks (`tx_bonding_clocks_chN`). The RapidIO II IP core provides the following two clock outputs from the transceiver
- Recovered data clock (`rx_clkout`)
- Transceiver transmit-side clock (`tx_clkout`)

In addition, if you turn on **Enable transceiver dynamic reconfiguration** in the RapidIO II parameter editor, the IP core includes a `reconfig_clk_chN` input clock to clock the Intel Arria 10, Intel Stratix 10 or Intel Cyclone 10 GX Native PHY dynamic reconfiguration interface for each lane N.

The RapidIO II IP core can accommodate a difference of ± 200 ppm between the `tx_clkout` and `rx_clkout` clocks.

4.2.1. Avalon System Clock

The Avalon system clock, `sys_clk`, is an input to the RapidIO II IP core that drives the Transport and Logical layer modules and most of the Physical layer module.

Note: You must drive the `sys_clk` clock from the same source from which you drive the `tx_pll_refclk` input clock.

4.2.2. Reference Clock

The reference clock, `tx_pll_refclk`, is the incoming reference clock for the transceiver's PLL. You specify the reference clock frequency in the RapidIO II parameter editor when you create the RapidIO II IP core instance.

The ability to program the frequency of the input reference clock allows you to use an existing clock in your system as the reference clock for the RapidIO II IP core. This reference clock can have any of a set of frequencies that the PLL in the transceiver can convert to the required internal clock speed for the RapidIO II IP core baud rate. The choices available to you for this frequency are determined by the baud rate and target device family.

Note: You must drive the `tx_pll_refclk` clock from the same source from which you drive the `sys_clk` input clock and the TX PLL `pll_refclk0` input clock. This source must be within ± 100 PPM of its nominal value, to ensure the difference between any two devices in the RapidIO II system is within ± 200 PPM.



4.2.3. Recovered Data Clock

The clock and data recovery block (CDR) in the transceiver recovers this clock, `rx_clkout`, from the incoming RapidIO data. The RapidIO II IP core provides this output clock as a convenience. You can use it to source a system-wide clock with a 0 ppm frequency difference from the clock used to transmit the incoming data.

4.2.4. Clock Rate Relationships in the RapidIO II IP Core

The RapidIO v2.2 specification specifies baud rates of 1.25, 2.5, 3.125, 5.0, and 6.25 Gbaud.

Table 12. Clock Frequencies in the RapidIO II IP Core

Following are the clock rates in the different RapidIO II IP core variations, showing the relationship between baud rate, default transceiver reference clock frequency, and Avalon system clock frequency.

Baud Rate (Gbaud)	Default reference clock frequency (MHz) ⁽¹⁰⁾	Avalon system clock Frequency (MHz) ⁽¹¹⁾
1.25	156.25	31.25
2.5	156.25	62.5
3.125	156.25	78.125
5.0	156.25	125.0
6.25	156.25	156.25

4.2.5. Clock Domains in Your Platform Designer System

In systems created with Platform Designer, the system interconnect manages clock domain crossing if some of the components of the system run on a different clock. For optimal throughput, run all the components in the datapath on the same clock.

4.2.6. Reset for RapidIO II IP Cores

All RapidIO II IP core variations have the following signals related to reset:

- `rst_n` — resets the RapidIO II IP core
- `tx_ready`, `tx_analogreset`, `tx_digitalreset`, `tx_digitalreset_stat`⁽¹²⁾, `tx_analogreset_stat`⁽¹²⁾ — reset the transmit side of the transceiver
- `rx_ready`, `rx_analogreset`, `rx_digitalreset`, `rx_digitalrest_stat`⁽¹²⁾, `rx_analogreset_stat`⁽¹²⁾ — reset the receive side of the transceiver
- `pll_powerdown` — reset one or more TX PLLs in the transceiver. This signal is available in Arria V, Arria V GZ, Cyclone V, and Stratix V variations only.

⁽¹⁰⁾ The reference clock is called `tx_pll_refclk` by default.

⁽¹¹⁾ The Avalon system clock is called `sys_clk` by default. It runs at 1/40 the frequency of the maximum baud rate you configure in the RapidIO II parameter editor, irrespective of the baud rate you program in software. You must drive `sys_clk` and the reference clock from the same clock source.

⁽¹²⁾ Only for Intel Stratix 10 devices.

In addition, if you turn on Enable transceiver dynamic reconfiguration in the RapidIO II parameter editor, the IP core includes `reconfig_reset_chN` input signals. For each `N`, the `reconfig_reset_chN` signal resets the Intel Arria 10, Intel Stratix 10 or Intel Cyclone 10 GX Native PHY dynamic reconfiguration interface for the transceiver channel that implements RapidIO lane `N`.

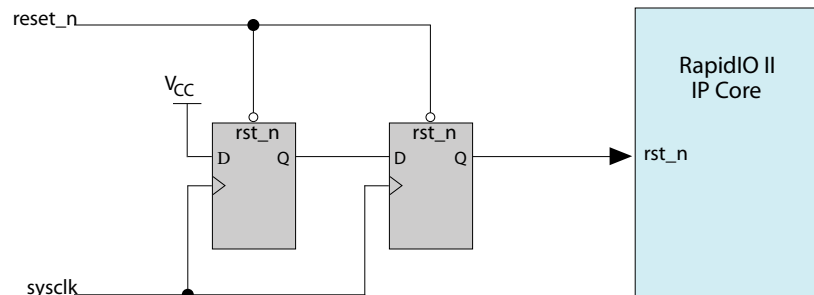
The reset sequence and requirements vary among device families. To implement the reset sequence correctly for your RapidIO II IP core, you must connect the `tx_ready`, `tx_analogreset`, `tx_digitalreset`, `rx_ready`, `rx_analogreset`, `rx_digitalreset`, `tx_digitalreset_stat`, `tx_analogreset_stat`, `rx_digitalreset_stat`, `rx_analogreset_stat`, and `pll_powerdown` reset signals to the Transceiver PHY Reset Controller IP core. User logic must drive the following signals from a single reset source:

- RapidIO II IP core `rst_n` (active low) input signal.
- Transceiver PHY Reset Controller IP core `reset` (active high) input signal.
- TX PLL `pll_powerdown` (active high) input signal.
- TX PLL `mcgb_rst` (active high) input signal. However, Intel Arria 10 and Intel Cyclone 10 GX device requirements take precedence. Depending on the external TX PLL configuration, your design might need to drive `pll_powerdown` and TX PLL `mcgb_rst` with different constraints.

User logic must connect the remaining input reset signals of the RapidIO II IP core to the corresponding output signals of the Transceiver PHY Reset Controller IP core.

The `rst_n` input signal can be asserted asynchronously, but must last at least one Avalon system clock period and be deasserted synchronously to the rising edge of the Avalon system clock.

Figure 10. Circuit to Ensure Synchronous Deassertion of `rst_n`



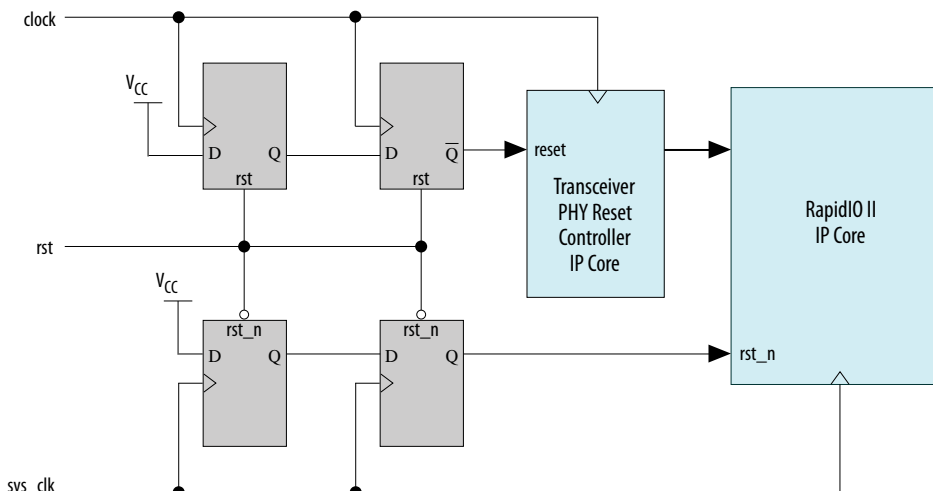
In systems generated by Platform Designer, this circuit is generated automatically. However, if your RapidIO II IP core variation is not generated by Platform Designer, you must implement logic to ensure the minimal hold time and synchronous deassertion of the `rst_n` input signal to the RapidIO II IP core.

The assertion of `rst_n` causes the whole RapidIO II IP core to reset. The requirement that the reset controller `reset` input signal and the TX PLL `pll_powerdown` and `mcgb_rst` input signals be asserted with `rst_n` ensures that the PHY IP core resets with the RapidIO II IP core.

User logic must assert the Transceiver PHY Reset Controller IP core `reset` signal with `rst_n`. However, each signal is deasserted synchronously with its corresponding clock.

Figure 11. Circuit to Ensure Synchronous Assertion of reset with rst_n

In this figure, `clock` is the Transceiver PHY Reset Controller IP core input clock. You can extend this logic as appropriate to include any additional reset signals.



In systems generated by Platform Designer, this circuit is generated automatically. However, if your RapidIO II IP core variation is not generated by Platform Designer, you must implement logic to ensure that `rst_n` and `reset` are driven from the same source, and that each meets the minimal hold time and synchronous deassertion requirements.

While the module is held in reset, the Avalon-MM `waitrequest` outputs are driven high and all other outputs are driven low. When the module comes out of the reset state, all buffers are empty.

Note: You must de-assert all IP reset signals and allow link initialization to access the Command and Status Register (CSR) block.

Consistent with normal operation, following the reset sequence, the Initialization state machine transitions to the *SILENT* state. In this state, the transmitters are turned off.

If two communicating RapidIO II IP cores are reset one after the other, one of the IP cores may enter the *Input Error Stopped* state because the other IP core is in the *SILENT* state while this one is already initialized. The initialized IP core enters the *Input Error Stopped* state and subsequently recovers.

Related Information

- [RapidIO Specifications](#)
- [V-Series Transceiver PHY IP Core User Guide](#)
 For Arria V, Arria V GZ, Cyclone V, and Stratix V devices.
- [Intel Arria 10 Transceiver PHY User Guide](#)
 For more details about the transceiver reset and dynamic reconfiguration of transceiver channels and PLLs.
- [Intel Stratix 10 GX 2800 L-Tile ES-1 Transceiver PHY User Guide](#)
 For more details about the transceiver reset and dynamic reconfiguration of transceiver channels and PLLs.



- [Intel Stratix 10 L- and H-Tile Transceiver PHY User Guide](#)
For more details about the transceiver reset and dynamic reconfiguration of transceiver channels and PLLs.

4.3. Logical Layer Interfaces

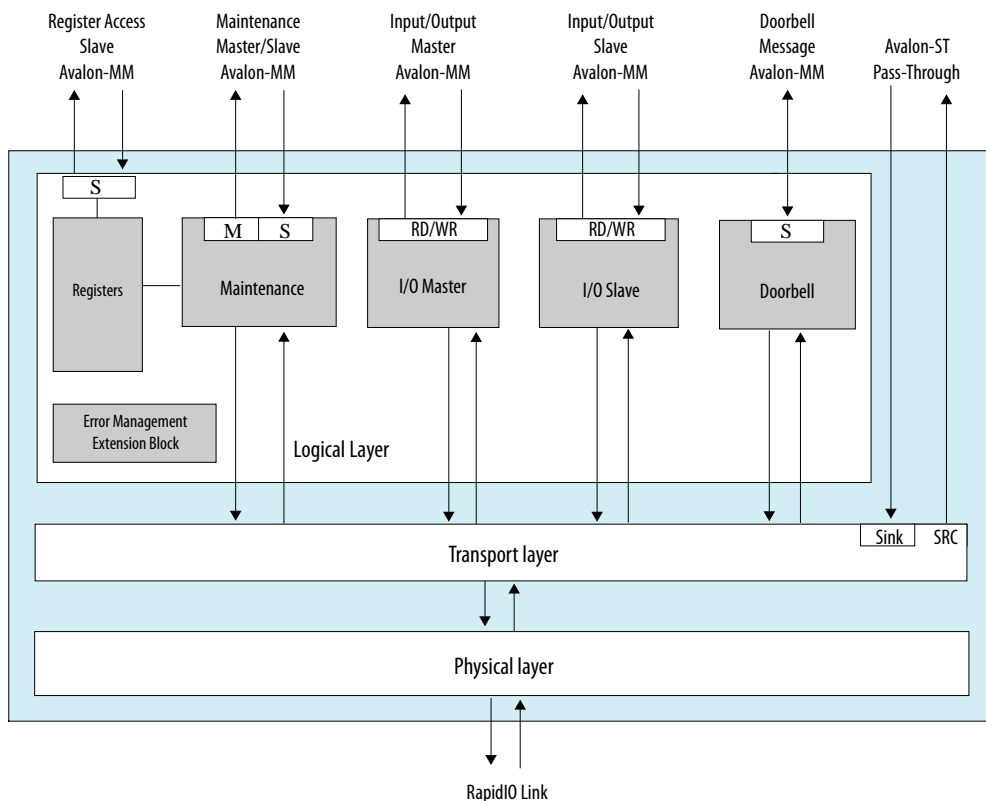
This section describes the features of the Logical layer module interfaces and how your system can interact with these interfaces to communicate with a RapidIO link partner.

The Logical layer consists of the following optional modules:

- I/O slave and master modules that initiate and terminate NREAD, NWRITE, SWRITE, and NWRITE_R transactions.
- Maintenance module that initiates and terminates MAINTENANCE transactions.
- Doorbell module that transacts RapidIO DOORBELL messages.
- Avalon-ST pass-through interface for implementing your own custom Logical layer logic.

In addition, the Logical layer provides an Avalon-MM slave interface called the Register Access interface which provides access to all of the RapidIO II IP core registers except the Doorbell Logical layer registers. This interface is present in all RapidIO II IP core variations.

Figure 12. Functional Block Diagram with all of the Logical Layer Modules





4.3.1. Register Access Interface

All RapidIO II IP core variations include a Register Access interface. This Avalon-MM slave interface provides access to all of the registers in the RapidIO II IP core except the Doorbell Logical layer registers.

Note: The Doorbell Logical layer registers are available only in RapidIO II IP core variations that instantiate a Doorbell Logical layer module, and you must access them through the Doorbell module's Avalon-MM slave interface.

4.3.1.1. Non-Doorbell Register Access Operations

The RapidIO II IP core registers are 32 bits wide and are accessible only on a 32-bit (4-byte) basis. The addressing for the registers therefore increments by units of 4.

The Register Access interface supports simple reads and writes with variable latency. The interface provides access to 32-bit words addressed by a 22-bit wide word address, corresponding to a 24-bit wide byte address. This address space provides access to the entire RapidIO configuration space, including any user-defined registers.

A local host can access the RapidIO II IP core registers through the Register Access Avalon-MM slave interface.

If your RapidIO II IP core variation includes a Maintenance module, a remote host can access the RapidIO II IP core registers by sending MAINTENANCE transactions targeted to this local RapidIO II IP core. If the transaction is a read or write to an address in the IP core register address range, the RapidIO II IP core routes the transaction to the appropriate register internally. If the transaction is a read or write to an address outside the address ranges of the Logical layer modules instantiated in the RapidIO II IP core, the IP core routes the transaction to user logic through the Maintenance master interface.

4.3.1.2. Register Access Interface Signals

Table 13. Register Access Avalon-MM Slave Interface Signals

Signal	Direction	Description
ext_mnt_waitrequest	Output	Register Access slave wait request. The RapidIO II IP core uses this signal to stall the requestor on the interconnect.
ext_mnt_read	Input	Register Access slave read request.
ext_mnt_write	Input	Register Access slave write request.
ext_mnt_address[21:0]	Input	Register Access slave address bus. The address is a word address, not a byte address.
ext_mnt_writedata[31:0]	Input	Register Access slave write data bus.
ext_mnt_readdata[31:0]	Output	Register Access slave read data bus.
ext_mnt_readdatavalid	Output	Register Access slave read data valid signal supports variable-latency, pipelined read transfers on this interface.
ext_mnt_readresponse	Output	Register Access read error, which indicates that the read transfer did not complete successfully. This signal is valid only when the ext_mnt_readdatavalid signal is asserted.

continued...



Signal	Direction	Description
std_reg_mnt_irq	Output	Standard registers interrupt request. This interrupt signal is associated with the error conditions registered in the Command and Status Registers (CSRs) and the Error Management Extensions registers.
io_m_mnt_irq	Output	I/O Logical Layer Avalon-MM Master module interrupt signal. This interrupt is associated with the conditions registered in the Input/Output Master Interrupt register at offset 0x103DC.
io_s_mnt_irq	Output	I/O Logical Layer Avalon-MM Slave module interrupt signal. This interrupt signal is associated with the conditions registered in the Input/Output Slave Interrupt register at offset 0x10500.
mnt_mnt_s_irq	Output	Maintenance slave interrupt signal. This interrupt signal is associated with the conditions registered in the Maintenance Interrupt register at offset 0x10080.

The interface supports the following interrupt lines:

- `std_reg_mnt_irq` – when enabled, the interrupts registered in the CSRs and Error Management registers assert the `std_reg_mnt_irq` signal.
- `io_m_mnt_irq` – this interrupt signal reports interrupt conditions related to the I/O Avalon-MM master interface. When enabled, the interrupts registered in the Input/Output Master Interrupt register at offset 0x103DC assert the `io_m_mnt_irq` signal.
- `io_s_mnt_irq` – this interrupt signal reports interrupt conditions related to the I/O Avalon-MM slave interface. When enabled, the interrupts registered in the Input/Output Slave Interrupt register at offset 0x10500 assert the `io_s_mnt_irq` signal.
- `mnt_mnt_s_irq` – this interrupt signal reports interrupt conditions related to the Maintenance interface slave port. When enabled, the interrupts registered in the Maintenance Interrupt register at offset 0x10080 assert the `mnt_mnt_s_irq` signal.

4.3.2. Input/Output Logical Layer Modules

4.3.2.1. Input/Output Avalon-MM Master Module

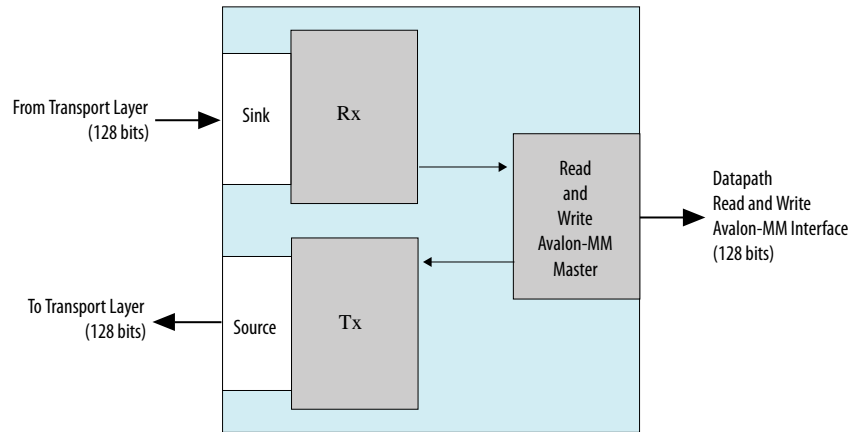
The Input/Output (I/O) Avalon-MM master Logical layer module is an optional component of the I/O Logical layer. This module receives RapidIO read and write request packets from a remote endpoint through the Transport layer module.

The I/O Avalon-MM master module translates the request packets into Avalon-MM transactions, and creates and returns RapidIO response packets to the source of the request through the Transport layer.

Note: The I/O Avalon-MM master module is referred to as a master module because it is an Avalon-MM interface master.

The I/O Avalon-MM master module can process a mix of `NREAD` and `NWRITE_R` requests simultaneously. The I/O Avalon-MM master module can process up to eight pending `NREAD` requests. If the Transport layer module receives an `NREAD` request packet while eight requests are already pending in the I/O Avalon-MM master module, the new packet remains in the Transport layer until one of the pending transactions completes.

Figure 13. I/O Master Block Diagram



4.3.2.1.1. Input/Output Avalon-MM Master Interface Signals

Table 14. Input/Output Avalon-MM Master Interface Signals

Signal	Direction	Description
<code>iom_rd_wr_waitrequest</code>	Input	I/O Logical Layer Avalon-MM Master module wait request.
<code>iom_rd_wr_write</code>	Output	I/O Logical Layer Avalon-MM Master module write request.
<code>iom_rd_wr_read</code>	Output	I/O Logical Layer Avalon-MM Master module read request.
<code>iom_rd_wr_address[31:0]</code>	Output	I/O Logical Layer Avalon-MM Master module address bus.
<code>iom_rd_wr_writedata[127:0]</code>	Output	I/O Logical Layer Avalon-MM Master module write data bus.
<code>iom_rd_wr_byteenable[15:0]</code>	Output	I/O Logical Layer Avalon-MM Master module byte enable.
<code>iom_rd_wr_burstcount[4:0]</code>	Output	I/O Logical Layer Avalon-MM Master module burst count.
<code>iom_rd_wr_readresponse</code>	Input	I/O Logical Layer Avalon-MM Master module read error response.
<code>iom_rd_wr_readdata[127:0]</code>	Input	I/O Logical Layer Avalon-MM Master module read data bus.
<code>iom_rd_wr_readdatavalid</code>	Input	I/O Logical Layer Avalon-MM Master module read data valid.

The I/O Avalon-MM Master module supports an interrupt line, `io_m_mnt_irq`, on the Register Access interface. When enabled, the following interrupts assert the `io_m_mnt_irq` signal:

- Address out of bounds

Related Information

[I/O Master Interrupts](#) on page 188

4.3.2.1.2. Defining the Input/Output Avalon-MM Master Address Mapping Windows

When you specify the value for **Number of Rx address translation windows** in the RapidIO II parameter editor, you determine the number of address translation windows available for translating incoming RapidIO read and write transactions to Avalon-MM requests on the I/O Logical layer Master port.



You must program the Input/Output Master Mapping Window registers to support the address ranges you wish to distinguish. You can disable an address translation window that is available in your configuration, but the maximum number of windows you can program is the number you specify in the RapidIO II parameter editor with the **Number of Rx address translation windows** value.

The RapidIO II IP core includes one set of Input/Output Master Mapping Window registers for each translation window. The following registers define address translation window *n*:

- A base register: Input/Output Master Mapping Window *n* Base
- A mask register: Input/Output Master Mapping Window *n* Mask
- An offset register: Input/Output Master Mapping Window *n* Offset

You can change the values of the window defining registers at any time. You should disable a window before changing its window defining registers.

To enable a window, set the window enable (WEN) bit of the window's Input/Output Master Mapping Window *n* Mask register to the value of 1. To disable it, set the WEN bit to the value of zero.

For each defined and enabled window, the RapidIO II IP core masks out the RapidIO address's least significant bits with the window mask and compares the resulting address to the window base.

The matching window is the lowest numbered window for which the following equation holds:

$$(\text{rio_addr}[33:4] \& \{\text{xamm}[1:0], \text{mask}[31:4]\}) == (\{\text{xamb}[1:0], \text{base}[31:4]\} \& \{\text{xamm}[1:0], \text{mask}[31:4]\})$$

where:

- `rio_addr[33:0]` is the 34-bit RapidIO address composed of `{xamsbs[1:0], address[28:0], 3b'000}` for RapidIO header fields `xamsbs` and `address`.
- `mask[31:0]` is composed of `{Mask register[31:4], 4b'0000}`.
- `base[31:0]` is composed of `{Base register[31:4], 4b'0000}`.
- `xamm[1:0]` is the XAMM field of the I/O Master Mapping Window *n* Mask register.
- `xamb[1:0]` is the XAMB field of the I/O Master Mapping Window *n* Base register.

The RapidIO II IP core determines the Avalon-MM address from the least significant bits of the RapidIO address and the matching window offset using the following equation:

$$\text{Avalon-MM address}[31:4] = (\text{offset}[31:4] \& \text{mask}[31:4]) | (\text{rio_addr}[31:4] \& \sim\text{mask}[31:4])$$

where:

- `offset[31:0]` is the offset register. The least significant four bits of this register are always `4b'0000`.
- The definitions of all other terms in the equation appear in the definition of the matching window.



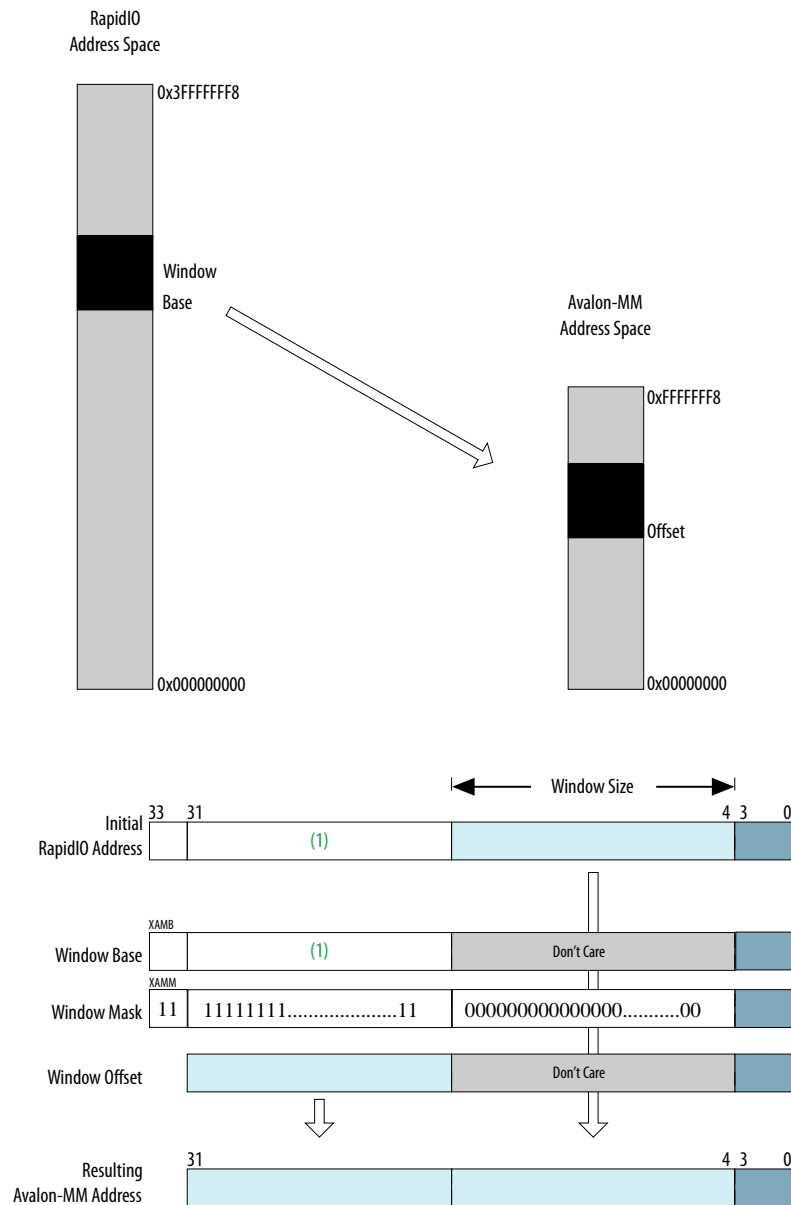
The value of the Avalon-MM address[3:0] is always zero, because the address is a byte address and the I/O Logical layer master interface has a 128-bit wide datapath.

If the address does not match any window the I/O Logical layer Master module performs the following actions:

- Sets the Illegal Transaction Decode Error bit in the Error Management Extension registers.
- Sets the ADDRESS_OUT_OF_BOUNDS interrupt bit in the Input/Output Master Interrupt register.
- Asserts the interrupt signal `io_m_mnt_irq` if this interrupt is enabled by the corresponding bit in the Input/Output Master Interrupt Enable register.
- For a received NREAD or NWRITE_R request packet that does not match any enabled window, returns a RapidIO ERROR response packet.

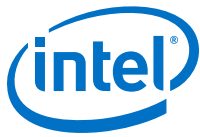
User logic can clear an interrupt by writing 1 to the interrupt register's corresponding bit location.

Figure 14. I/O Master Window Translation



Related Information

- [I/O Master Address Mapping Registers](#) on page 187
- [I/O Master Interrupts](#) on page 188



4.3.2.1.3. RapidIO Packet Data Word Pointer and Size Encoding in Avalon-MM Transactions

The RapidIO II IP core converts RapidIO packets to Avalon-MM transactions. The RapidIO packet's read size, write size, and word pointer fields, and the least significant bit of the address field, are translated to the Avalon-MM burst count and byteenable values.

Table 15. Avalon-MM I/O Master Read Transaction Burstcount and Byteenable

RapidIO Field Values			Avalon-MM Signal Values	
rdsz (4'bxxxx)	wdptr (1'bx)	address[0] (1'bx)	Burstcount	Byteenable (16'bxxxxxxxxxxxxxxxx)
0000	0	0	1	0000_0000_1000_0000
	0	1	1	1000_0000_0000_0000
	1	0	1	0000_0000_0000_1000
	1	1	1	0000_1000_0000_0000
0001	0	0	1	0000_0000_0100_0000
	0	1	1	0100_0000_0000_0000
	1	0	1	0000_0000_0000_0100
	1	1	1	0000_0100_0000_0000
0010	0	0	1	0000_0000_0010_0000
	0	1	1	0010_0000_0000_0000
	1	0	1	0000_0000_0000_0010
	1	1	1	0000_0010_0000_0000
0011	0	0	1	0000_0000_0001_0000
	0	1	1	0001_0000_0000_0000
	1	0	1	0000_0000_0000_0001
	1	1	1	0000_0001_0000_0000
0100	0	0	1	0000_0000_1100_0000
	0	1	1	1100_0000_0000_0000
	1	0	1	0000_0000_0000_1100
	1	1	1	0000_1100_0000_0000
0101 ⁽¹³⁾	0	0	1	0000_0000_1110_0000
	0	1	1	1110_0000_0000_0000
	1	0	1	0000_0000_0000_0111

continued...

⁽¹³⁾ The RapidIO link partner should avoid read requests with this rdsz value, because the resulting byteenable value is not allowed by the Avalon-MM specification. However, if the RapidIO II IP core receives a read request with this rdsz value, the IP core issues these transactions on the I/O Logical layer Avalon-MM master interface with the illegal byteenable values, to support systems in which user logic handles these byteenable values.



RapidIO Field Values			Avalon-MM Signal Values	
rdsizex (4'bxxxx)	wdptr (1'bx)	address[0] (1'bx)	Burstcount	Byteenable (16'bxxxxxxxxxxxxxxxx)
	1	1	1	0000_0111_0000_0000
0110	0	0	1	0000_0000_0011_0000
	0	1	1	0011_0000_0000_0000
	1	0	1	0000_0000_0000_0011
	1	1	1	0000_0011_0000_0000
0111 ⁽¹³⁾	0	0	1	0000_0000_1111_1000
	0	1	1	1111_1000_0000_0000
	1	0	1	0000_0000_0001_1111
	1	1	1	0001_1111_0000_0000
1000	0	0	1	0000_0000_1111_0000
	0	1	1	1111_0000_0000_0000
	1	0	1	0000_0000_0000_1111
	1	1	1	0000_1111_0000_0000
1001 ⁽¹³⁾	0	0	1	0000_0000_1111_1100
	0	1	1	1111_1100_0000_0000
	1	0	1	0000_0000_0011_1111
	1	1	1	0011_1111_0000_0000
1010 ⁽¹³⁾	0	0	1	0000_0000_1111_1110
	0	1	1	0000_0000_0111_1111
	1	0	1	1111_1110_0000_0000
	1	1	1	0111_1111_0000_0000
1011	0	0	1	0000_0000_1111_1111
	0	1	1	1111_1111_0000_0000
	1	0	1	1111_1111_1111_1111
	1	1	Reserved ⁽¹⁴⁾	
1100 ⁽¹⁵⁾	0	0	2	1111_1111_1111_1111
	1	0	4	1111_1111_1111_1111
1101 ⁽¹⁵⁾	0	0	6	1111_1111_1111_1111

continued...

⁽¹⁴⁾ This combination of wdptr and rdsizex values is reserved. If the RapidIO II IP core receives this combination, it sets the Unsupported Transaction bit (UNSUPPORT_TRAN) in the Logical/Transport Layer Error Detect CSR and returns an ERROR response.

⁽¹⁵⁾ If rdsizex has a value greater than 4'b1011, and address[0] has the value of 1, the RapidIO II IP core sets the Unsupported Transaction bit (UNSUPPORT_TRAN) in the Logical/Transport Layer Error Detect CSR and returns an ERROR response.



RapidIO Field Values			Avalon-MM Signal Values	
rdsz (4'bxxxx)	wdptr (1'bx)	address[0] (1'bx)	Burstcount	Byteenable (16'bxxxxxxxxxxxxxxxx)
	1	0	8	1111_1111_1111_1111
1110 ⁽¹⁵⁾	0	0	10	1111_1111_1111_1111
	1	0	12	1111_1111_1111_1111
1111 ⁽¹⁵⁾	0	0	14	1111_1111_1111_1111
	1	0	16	1111_1111_1111_1111

Table 16. Avalon-MM I/O Master Write Transaction Burstcount and Byteenable I

For wrsize value less than 4'b1100:

RapidIO Field Values			Avalon-MM Signal Values	
wrsz (4'bxxxx)	wdptr (1'bx)	address[0] (1'bx)	Burstcount	Byteenable (16'bxxxx_xxxx_xxxx_xxxx)
0000	0	0	1	0000_0000_1000_0000
	0	1	1	1000_0000_0000_0000
	1	0	1	0000_0000_0000_1000
	1	1	1	0000_1000_0000_0000
0001	0	0	1	0000_0000_0100_0000
	0	1	1	0100_0000_0000_0000
	1	0	1	0000_0000_0000_0100
	1	1	1	0000_0100_0000_0000
0010	0	0	1	0000_0000_0010_0000
	0	1	1	0010_0000_0000_0000
	1	0	1	0000_0000_0000_0010
	1	1	1	0000_0010_0000_0000
0011	0	0	1	0000_0000_0001_0000
	0	1	1	0001_0000_0000_0000
	1	0	1	0000_0000_0000_0001
	1	1	1	0000_0001_0000_0000
0100	0	0	1	0000_0000_1100_0000
	0	1	1	1100_0000_0000_0000
	1	0	1	0000_0000_0000_1100
	1	1	1	0000_1100_0000_0000
0101 ⁽¹⁶⁾	0	0	1	0000_0000_1110_0000

continued...

⁽¹⁶⁾ The RapidIO link partner should avoid this combination of wdptr and wrsize values, because the resulting byteenable value presented on the Avalon-MM master interface is not allowed by the Avalon-MM specification.



RapidIO Field Values			Avalon-MM Signal Values	
wrsize (4'bxxxx)	wdptr (1'bx)	address[0] (1'bx)	Burstcount	Byteenable (16'bxxxx_xxxx_xxxx_xxxx)
	0	1	1	0000_0000_0000_0111
	1	0	1	1110_0000_0000_0000
	1	1	1	0000_0111_0000_0000
0110	0	0	1	0000_0000_0011_0000
	0	1	1	0000_0000_0000_0011
	1	0	1	0011_0000_0000_0000
	1	1	1	0000_0011_0000_0000
0111 ⁽¹⁶⁾	0	0	1	0000_0000_1111_1000
	0	1	1	0000_0000_0001_1111
	1	0	1	1111_1000_0000_0000
	1	1	1	0001_1111_0000_0000
1000	0	0	1	0000_0000_1111_0000
	0	1	1	1111_0000_0000_0000
	1	0	1	0000_0000_0000_1111
	1	1	1	0000_1111_0000_0000
1001 ⁽¹⁶⁾	0	0	1	0000_0000_1111_1100
	0	1	1	0000_0000_0011_1111
	1	0	1	1111_1100_0000_0000
	1	1	1	0011_1111_0000_0000
1010 ⁽¹⁶⁾	0	0	1	0000_0000_1111_1110
	0	1	1	0000_0000_0111_1111
	1	0	1	1111_1110_0000_0000
	1	1	1	0111_1111_0000_0000
1011	0	0	1	0000_0000_1111_1111
	0	1	1	1111_1111_0000_0000
	1	0	1	1111_1111_1111_1111
	1	1	2	First clock cycle: 1111_1111_0000_0000 Second clock cycle: 0000_0000_1111_1111

Table 17. Avalon-MM I/O Master Write Transaction Burstcount and Byteenable II

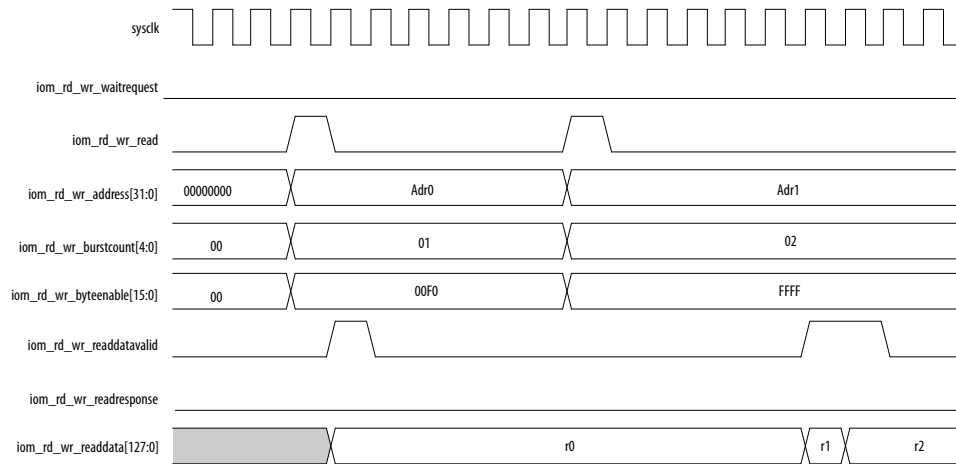
For *wrsize* value greater than 4'b1011:

RapidIO Values			Avalon-MM Signal Values			
RapidIO Field Values		Payload Size is Multiple of 16 Bytes ⁽¹⁷⁾	Burstcount	Byteenable (16'hXXXX)		
<i>wrsize</i> (4'bxxxx)	<i>address</i> [0] (1'bx)			First Cycle	Intermediate Cycles	Final Cycle
1100–1111	0	Yes	Payload size in bytes / 16	FFFF	FFFF	FFFF
	1	Yes	Payload size in bytes / 16 plus 1	FF00	FFFF	00FF
	0	No	(18)	FFFF	FFFF	00FF
	1	No	(18)	FF00	FFFF	FFFF

4.3.2.1.4. Input/Output Avalon-MM Master Module Timing Diagrams

The RapidIO II IP core receives both transaction requests on the RapidIO link and sends them to the Logical layer Avalon-MM master module. Timing diagrams shows the timing dependencies on the Avalon-MM master interface for an incoming RapidIO NREAD and NWRITE transaction.

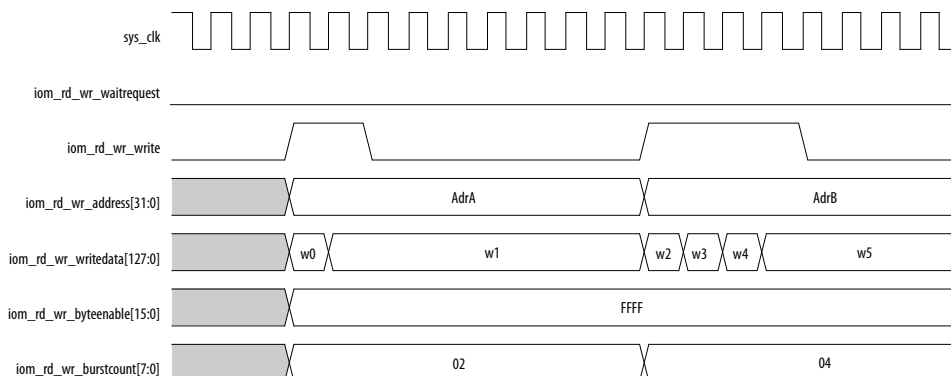
Figure 15. NREAD Transaction on the Input/Output Avalon-MM Master Interface



- (17) If the packet payload is larger than the maximum size allowed for the packet *wrsize* and *wdptr* values, the RapidIO II IP core records an Illegal transaction decode error in the Error Management Extension registers and, for NWRITE_R request packets, returns an ERROR response.
- (18) If the payload size is not a multiple of 16 bytes, and *address*[0] has the value of zero, the value of *burstcount* is the number of 8-byte words in the packet payload, divided by two, and rounded up.



Figure 16. NWRITE Transaction on the Input/Output Avalon-MM Master Interface



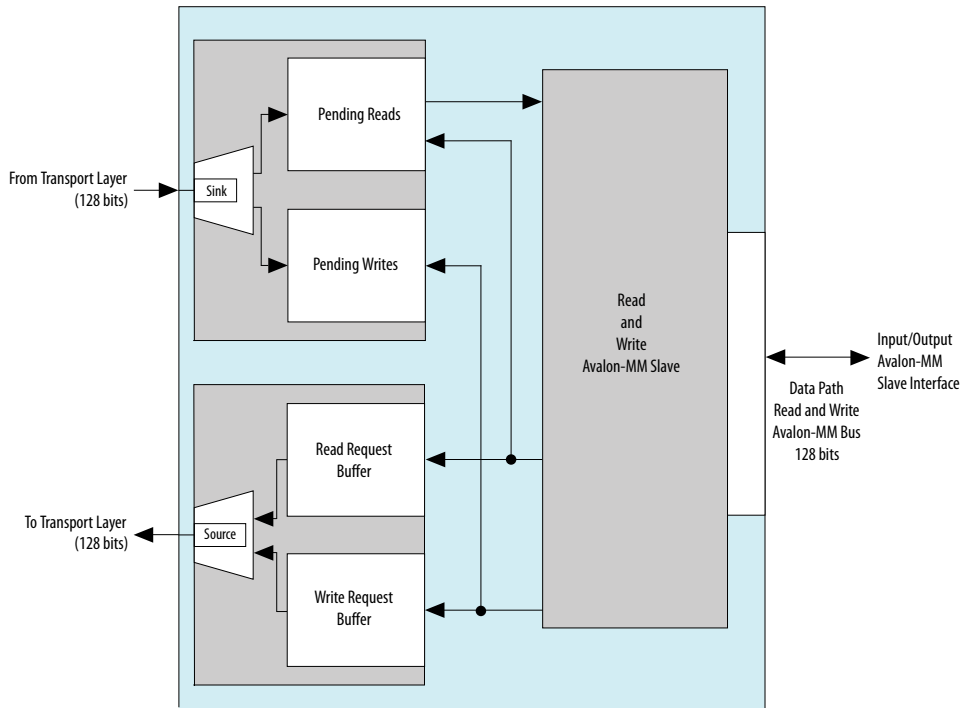
4.3.2.2. Input/Output Avalon-MM Slave Module

The Input/Output (I/O) Avalon-MM slave Logical layer module is an optional component of the I/O Logical layer. The I/O Avalon-MM slave Logical layer module receives Avalon-MM transactions from user logic and converts these transactions to RapidIO read and write request packets. The module sends the RapidIO packets to the Transport layer, to be sent on the RapidIO link. For each RapidIO read or write request, the target remote RapidIO processing element implements the actual read or write transaction and sends back a response if required. Avalon-MM read transactions complete when the RapidIO II IP core receives and processes the corresponding response packet.

Note:

- The I/O Avalon-MM slave module is referred to as a slave module because it is an Avalon-MM interface slave.
- The maximum number of outstanding transactions (I/O Requests) the RapidIO II IP core supports on this interface is 16 (8 NREAD requests + 8 NWRITE_R requests).

Figure 17. Input/Output Avalon-MM Slave Logical Layer Block Diagram



4.3.2.2.1. Input/Output Avalon-MM Slave Interface Signals

Table 18. Input/Output Avalon-MM Slave Interface Signals

Signal	Direction	Description
ios_rd_wr_waitrequest	Output	I/O Logical Layer Avalon-MM Slave module wait request.
ios_rd_wr_write	Input	I/O Logical Layer Avalon-MM Slave module write request.
ios_rd_wr_read	Input	I/O Logical Layer Avalon-MM Slave module read request.
ios_rd_wr_address[N:0] for N == 9, 10, ..., or 31	Input	I/O Logical Layer Avalon-MM Slave module address bus. The address is a quad-word address, addresses a 16-byte (128-bit) quad-word, not a byte address. You can determine the width of the ios_rd_wr_address bus in the RapidIO II parameter editor.
ios_rd_wr_writedata[127:0]	Input	I/O Logical Layer Avalon-MM Slave module write data bus.
ios_rd_wr_byteenable[15:0]	Input	I/O Logical Layer Avalon-MM Slave module byte enable.
ios_rd_wr_burstcount[4:0]	Input	I/O Logical Layer Avalon-MM Slave module burst count.
ios_rd_wr_readresponse	Output	I/O Logical Layer Avalon-MM Slave module read error response. I/O Logical Layer Avalon-MM Slave module read error. Indicates that the burst read transfer did not complete successfully.
ios_rd_wr_readdata[127:0]	Output	I/O Logical Layer Avalon-MM Slave module read data bus.
ios_rd_wr_readdatavalid	Output	I/O Logical Layer Avalon-MM Slave module read data valid.



The I/O Avalon-MM Slave module supports an interrupt line, `io_s_mnt_irq`, on the Register Access interface. When enabled, the following interrupts assert the `io_s_mnt_irq` signal:

- Read out of bounds
- Write out of bounds
- Invalid write
- Invalid read or write burstcount
- Invalid read or write byteenable value

Related Information

[I/O Slave Interrupts](#) on page 190

4.3.2.2.2. Initiating Read and Write Transactions

To initiate a read or write transaction on the RapidIO link, your system sends a read or write request to the I/O Logical layer Slave module Avalon-MM interface.

IP Core Actions

In response to incoming Avalon-MM read requests to the I/O Logical layer Slave module, the RapidIO II IP core generates read request packets on the RapidIO link, by performing the following tasks:

- For each incoming Avalon-MM read request, composes the RapidIO read request packet.
- For each incoming Avalon-MM write request, composes the RapidIO write request packet
- Maintains status related to the composed packet to track responses:
 - Sends read request information to the Pending Reads buffer to wait for the corresponding response packet.
 - Sends `NWRITE_R` request information to the Pending Writes buffer to wait for the corresponding response packet.
 - Does not send `SWRITE` and `NWRITE` request information to the Pending Writes buffer, because these transactions do not require a response to the user on the I/O Logical layer Avalon-MM slave interface.
- Presents the composed packet to the Transport layer for transmission on the RapidIO link.
- For each read response from the Transport layer, removes the original request entry from the Pending Reads buffer and uses the packet's payload to complete the read transaction, by sending the read data on the Avalon-MM slave interface.
- For each write response from the Transport layer, removes the original request entry from the Pending Writes buffer.

Note: At any time, the I/O Logical layer Slave module can maintain a maximum of eight outstanding read requests and a maximum of eight outstanding write requests. The module asserts the `ios_rd_wr_waitrequest` signal to throttle incoming requests above the limit.

The RapidIO II IP core performs the following actions in response to each read request transaction the I/O Logical layer Slave module processes:

- If the IP core receives a read response packet on the RapidIO link, the read operation was successful. After the I/O Logical layer Slave module receives the response packet from the Transport layer, it passes the read response and data from the Pending Reads buffer back through the Avalon-MM slave interface.
- If the remote processing element is busy, the RapidIO II IP core resends the request packet.
- If an error or time-out occurs, the I/O Logical layer Slave module asserts the `ios_rd_wr_readresponse` signal on the Avalon-MM slave interface and captures some information in the Error Management Extension registers.

The RapidIO II IP core assigns a time-out value to each outbound request that requires a response—each `NWRITE_R` or `NREAD` transaction. The time-out value is the sum of the `VALUE` field of the `Port Response Time-Out Control` register and the current value of a free-running counter. When the counter reaches the time-out value, if the transaction has not yet received a response, the transaction times out.

Related Information

[Port Response Time-out Control CSR](#) on page 157

Tracking I/O Write Transactions

The following three registers are available to software to track the status of I/O write transactions:

- The `Input/Output Slave Avalon-MM Write Transactions` register holds a count of the write transactions that have been initiated on the write Avalon-MM slave interface.
- The `Input/Output Slave RapidIO Write Requests` register holds a count of the RapidIO write request packets that have been transferred to the Transport layer.
- The `Input/Output Slave Pending NWRITE_R Transactions` register holds a count of the `NWRITE_R` requests that have been issued but have not yet completed.

You can use these registers to determine if a specific I/O write transaction has been issued or if a response has been received for any or all issued `NWRITE_R` requests.

Related Information

[I/O Slave Transactions and Requests](#) on page 192

4.3.2.2.3. Defining the Input/Output Avalon-MM Slave Address Mapping Windows

When you specify the value for **Number of Tx address translation windows** in the RapidIO II parameter editor, you determine the number of address translation windows available for translating incoming Avalon-MM read and write transactions to RapidIO read and write requests.

You must program the `Input/Output Slave Mapping Window` registers to support the address ranges you wish to distinguish. You can disable an address translation window that is available in your configuration, but the maximum number of windows you can program is the number you specify in the RapidIO II parameter editor with the **Number of Tx address translation windows** value.



The RapidIO II IP core includes one set of Input/Output Slave Mapping Window registers for each translation window. The following registers define address translation window n :

- A base register: Input/Output Slave Mapping Window n Base
- A mask register: Input/Output Slave Mapping Window n Mask
- An offset register: Input/Output Slave Mapping Window n Offset
- A control register: Input/Output Slave Mapping Window n Control

The control register stores information the RapidIO II IP core uses to prepare the RapidIO packet header, including the target device's destination ID, the request packet's priority, and to select between the three available write request packet types: NWRITE, NWRITE_R and SWRITE.

You can change the values of the window defining registers at any time, even after sending a request packet and before receiving its response packet. However, you should disable a window before changing its window defining registers.

To enable a window, set the window enable (WEN) bit of the window's Input/Output Slave Mapping Window n Mask register to the value of 1. To disable it, set the WEN bit to the value of zero.

For each defined and enabled window, the RapidIO II IP core masks out the RapidIO address's least significant bits with the window mask and compares the resulting address to the window base.

The matching window is the lowest numbered window n for which the following equation holds:

```
(ios_rd_wr_addr[31:4] & mask[31:4]) == (base[31:4] & mask[31:4])
```

where:

- `ios_rd_wr_addr[31:0]` is the I/O Logical layer Avalon-MM slave address bus. If the field has fewer than 32 bits, the IP core pads the actual bus value with leading zeroes for the matching comparison.
- `mask[31:4]` is the MASK field of the Input/Output Slave Mapping Window n Mask register.
- `base[31:4]` is the BASE field of the Input/Output Slave Mapping Window n Base register.

The RapidIO II IP core determines the value for the RapidIO packet header `xamsbs` and `address` fields from the least significant bits of the Avalon-MM `ios_rd_wr_address` signal and the matching window offset using the following equation:

```
rio_addr [33:4] = {xamo, ((offset [31:4] & mask [31:4]) |  
ios_rd_wr_address[31:4])}
```

where:

- `rio_addr[33:0]` is the 34-bit RapidIO address composed of `{xamsbs[1:0], address[28:0], 3b'000}` for RapidIO header fields `xamsbs` and `address`.
- `xamo[1:0]` is the XAMO field of the Input/Output Slave Mapping Window `n` Offset register.
- `offset[31:4]` is the OFFSET field of the Input/Output Slave Mapping Window `n` Offset register.
- The definitions of all other terms in the equation appear in the definition of the matching window.

If the address does not match any window the I/O Logical layer Slave module performs the following actions:

- Sets the `WRITE_OUT_OF_BOUNDS` or `READ_OUT_OF_BOUNDS` interrupt bit in the Input/Output Slave Interrupt register.
- Asserts the interrupt signal `io_s_mnt_irq` if this interrupt is enabled by the corresponding bit in the Input/Output Slave Interrupt Enable register.
- Increments the `COMPLETED_OR_CANCELLED_WRITES` field of the Input/Output Slave RapidIO Write Requests register if the transaction is a write request.

User logic can clear an interrupt by writing 1 to the interrupt register's corresponding bit location.

The Avalon-MM slave interface **burstcount** and **byteenable** signals determine the values of the RapidIO packet header fields `wdptr` and `rdsize` or `wrsize`.

The RapidIO II IP core copies the values you program in the `PRIORITY` and `DESTINATION_ID` fields of the control register for the matching window, to the RapidIO packet header fields `prio` and `destinationID`, respectively.

Related Information

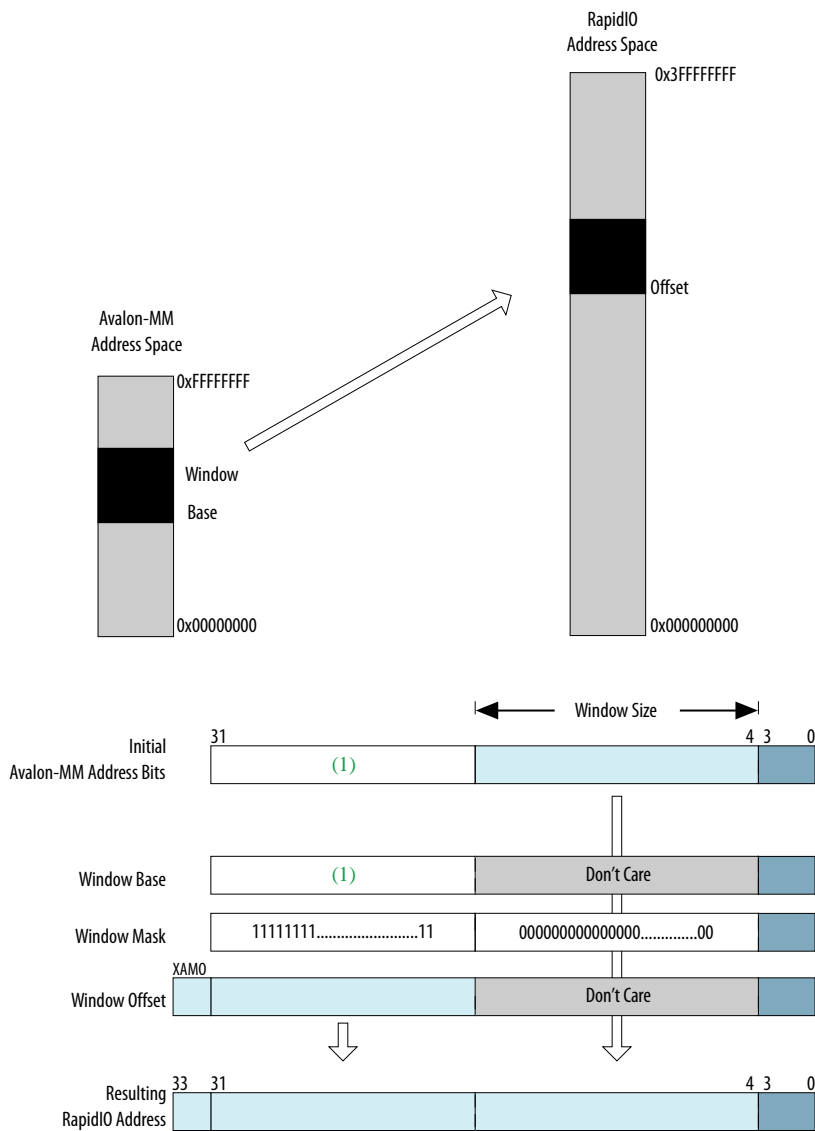
- [I/O Slave Address Mapping Registers](#) on page 189
- [I/O Slave Interrupts](#) on page 190
- [I/O Slave Transactions and Requests](#) on page 192

4.3.2.2.4. Input/Output Slave Translation Window Example

This section contains an example illustrating the use of I/O slave translation windows.



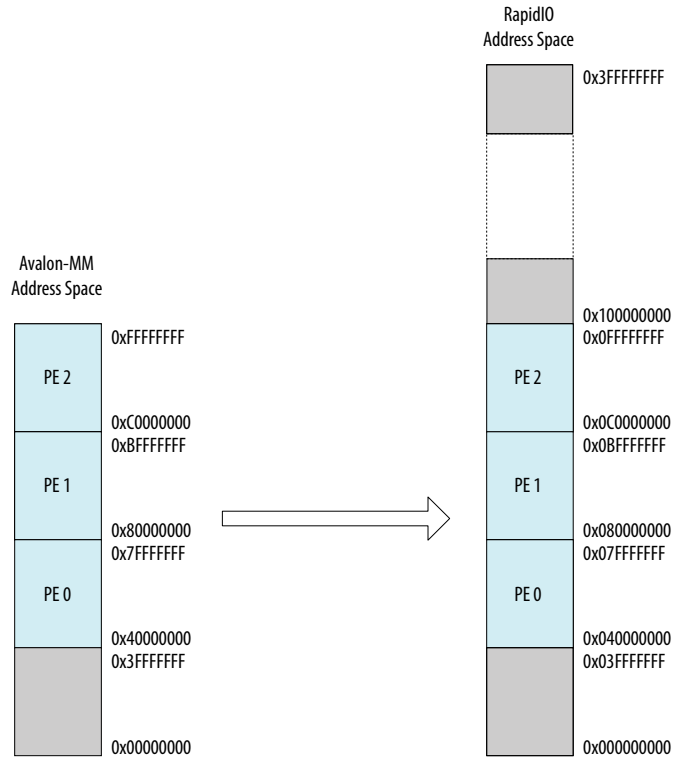
Figure 18. Input/Output Slave Window Translation



(1) These bits must have the same value in the initial Avalon-MM address and in the window base.

In this example, a RapidIO II IP core with 8-bit device ID communicates with three other processing endpoints through three I/O slave translation windows. For this example, the XAMO bits are set to 2'b00 for all three windows. The offset value differs for each window, which results in the segmentation of the RapidIO address space that is shown below:

Figure 19. Input/Output Slave Translation Window Address Mapping



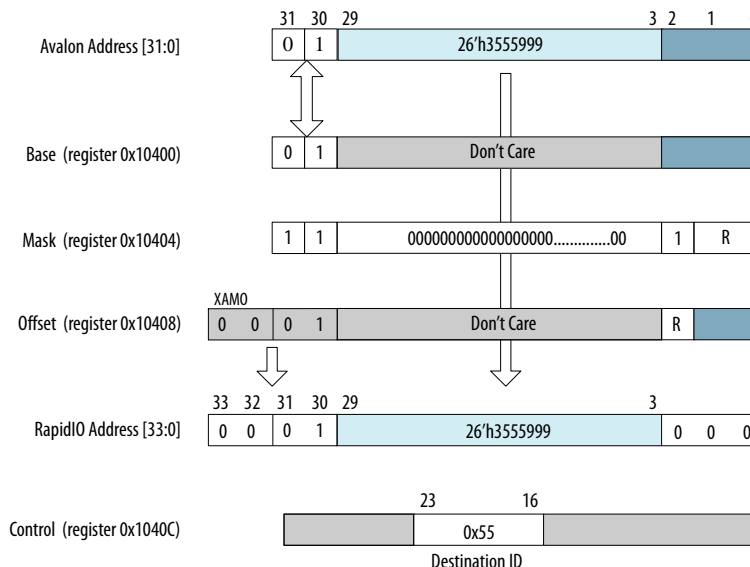
In the example, the two most significant bits of the Avalon-MM address are used to differentiate between the processing endpoints.

Translation Window 0

An Avalon-MM address in which the two most significant bits have the value $2'b01$ matches window 0. The RapidIO transaction corresponding to the Avalon-MM operation has a destination ID value of $0x55$. This value corresponds to processing endpoint 0.



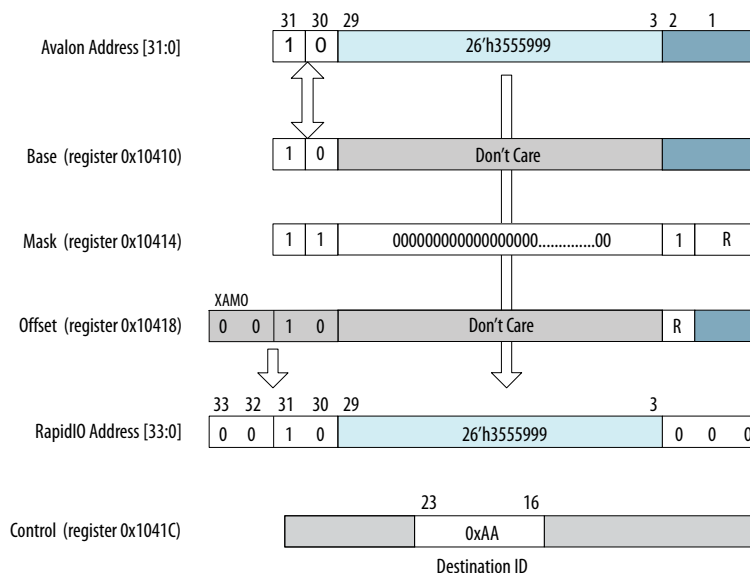
Figure 20. Translation Window 0



Translation Window 1

An Avalon-MM address in which the two most significant bits have a value of 2'b10 matches window 1. The RapidIO transaction corresponding to the Avalon-MM operation has a destination ID value of 0xAA. This value corresponds to processing endpoint 1.

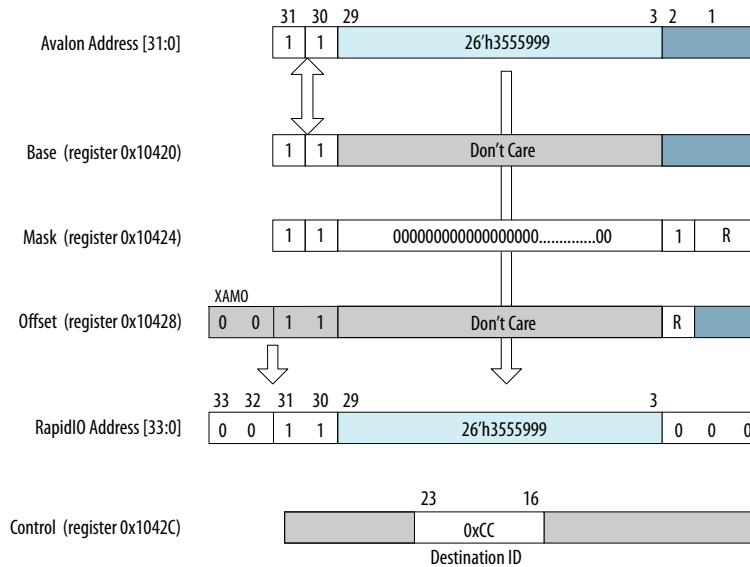
Figure 21. Translation Window 1



Translation Window 2

An Avalon-MM address in which the two most significant bits have a value of 2'b11 matches window 2. The RapidIO transaction corresponding to the Avalon-MM operation has a destination ID value of 0xCC. This value corresponds to processing endpoint 2.

Figure 22. Translation Window 2



4.3.2.3. Avalon-MM Burstcount and Byteenable Encoding in RapidIO Packets

The RapidIO II IP core converts Avalon-MM transactions to RapidIO packets. The IP translates the Avalon-MM burst count, byteenable, and address bit 3 values to the RapidIO packet read size, write size, and word pointer fields.

Table 19. I/O Logical Layer Slave Read or Write Request Size Encoding

Following are the allowed Avalon-MM `ios_rd_wr_byteenable` values if `ios_rd_wr_burstcount` has the value of 1, and the corresponding encoding in the packet header fields of a RapidIO read or write request packet.

Avalon-MM Signal Values ⁽¹⁹⁾		RapidIO Header Field Values		
burstcount (5'dx, 128-bit units)	byteenable (16'bxxxx_xxxx_xxxx_xxxx)	wdptr (1'bx)	rdsz or wrsz (4'bxxxx)	address[0] (rio_addr[3])
1	0000_0000_0000_0001	1	0011	0
1	0000_0000_0000_0010	1	0010	0
1	0000_0000_0000_0100	1	0001	0
1	0000_0000_0000_1000	1	0000	0
1	0000_0000_0001_0000	0	0011	0
1	0000_0000_0010_0000	0	0010	0
1	0000_0000_0100_0000	0	0001	0

continued...

(19) For read transfers, the I/O Logical layer slave module does not handle byteenable values and byteenable-burstcount combinations that the Avalon-MM interface does not allow. In case of an invalid combination, the RapidIO II IP core asserts the `ios_rd_wr_readresponse` signal when it asserts the `ios_rd_wr_readdatavalid` signal, and sets the `INVALID_READ_BYTEENABLE` bit of the I/O Slave Interrupt register if this interrupt is enabled in the I/O Slave Interrupt Enable register.



Avalon-MM Signal Values ⁽¹⁹⁾		RapidIO Header Field Values		
burstcount (5'dx, 128-bit units)	byteenable (16'bxxxx_xxxx_xxxx_xxxx)	wdptr (1'bx)	rdsz or wrsz (4'bxxxx)	address[0] (rio_addr[3])
1	0000_0000_1000_0000	0	0000	0
1	0000_0001_0000_0000	1	0011	1
1	0000_0010_0000_0000	1	0010	1
1	0000_0100_0000_0000	1	0001	1
1	0000_1000_0000_0000	1	0000	1
1	0001_0000_0000_0000	0	0011	1
1	0010_0000_0000_0000	0	0010	1
1	0100_0000_0000_0000	0	0001	1
1	1000_0000_0000_0000	0	0000	1
1	0000_0000_0000_0011	1	0110	0
1	0000_0000_0000_1100	1	0100	0
1	0000_0000_0011_0000	0	0110	0
1	0000_0000_1100_0000	0	0100	0
1	0000_0011_0000_0000	1	0110	1
1	0000_1100_0000_0000	1	0100	1
1	0011_0000_0000_0000	0	0110	1
1	1100_0000_0000_0000	0	0100	1
1	0000_0000_0000_1111	1	1000	0
1	0000_0000_1111_0000	0	1000	0
1	0000_1111_0000_0000	1	1000	1
1	1111_0000_0000_0000	0	1000	1
1	0000_0000_1111_1111	0	1011	0
1	1111_1111_0000_0000	0	1011	1
1	1111_1111_1111_1111	1	1011	0

⁽¹⁹⁾ For read transfers, the I/O Logical layer slave module does not handle byteenable values and byteenable-burstcount combinations that the Avalon-MM interface does not allow. In case of an invalid combination, the RapidIO II IP core asserts the `ios_rd_wr_readresponse` signal when it asserts the `ios_rd_wr_readdatavalid` signal, and sets the `INVALID_READ_BYTEENABLE` bit of the I/O Slave Interrupt register if this interrupt is enabled in the I/O Slave Interrupt Enable register.

Table 20. I/O Logical Layer Slave Read Request Size Encoding

For read requests, if `ios_rd_wr_burstcount` has a value greater than 1, the only valid value for `ios_rd_wr_byteenable` is the value of `16'hFFFF`. Following are the encoding in the packet header fields of a RapidIO read or write request packet when `ios_rd_wr_burstcount` has a value greater than 1.

Avalon-MM Signal Values ⁽²⁰⁾		RapidIO Header Field Values		
burstcount (5'dx, 128-bit units) ⁽²¹⁾	byteenable (16'hxxxx)	wdptr (1'bx)	rdsz (4'bxxxx) ⁽²¹⁾	address[0] (rio_addr[3])
2	FFFF	0	1100	0
3	FFFF	1	1100	0
4	FFFF	1	1100	0
5	FFFF	0	1101	0
6	FFFF	0	1101	0
7	FFFF	1	1101	0
8	FFFF	1	1101	0
9	FFFF	0	1110	0
10	FFFF	0	1110	0
11	FFFF	1	1110	0
12	FFFF	1	1110	0
13	FFFF	0	1111	0
14	FFFF	0	1111	0
15	FFFF	1	1111	0
16	FFFF	1	1111	0

⁽²⁰⁾ The I/O Logical layer slave module does not handle byteenable values and byteenable-burstcount combinations that the Avalon-MM interface does not allow. In case of an invalid byteenable or burstcount value, the RapidIO II IP core asserts the `ios_rd_wr_readresponse` signal when it asserts the `ios_rd_wr_readdatavalid` signal, and sets the `INVALID_READ_BYTEENABLE` bit or the `INVALID_READ_BURSTCOUNT` bit (or both) of the I/O Slave Interrupt register if this interrupt is enabled in the I/O Slave Interrupt Enable register.

⁽²¹⁾ For read transfers, the read size of the request packet is rounded up to the next supported size, but only the number of words corresponding to the requested read burst size is returned.



Table 21. I/O Logical Layer Slave Write Request Size Encoding

For write requests, if `ios_rd_wr_burstcount` has a value greater than 1, the value of `ios_rd_wr_byteenable` can be different in the first, intermediate, and final clock cycles of the same request. In all intermediate clock cycles (when `ios_rd_wr_burstcount` has a value greater than 2), `ios_rd_wr_byteenable` must have the value of `16'xFFFF`. Following are the allowed Avalon-MM `ios_rd_wr_burstcount` and initial and final clock cycle `ios_rd_wr_byteenable` value combinations if the value of `ios_rd_wr_burstcount` is greater than 1, and their encoding in the packet header fields of a RapidIO write request packet.

Avalon-MM Signal Values ⁽²²⁾			RapidIO Header Field Values		
burstcount (Decimal, 128-bit units)	byteenable (16'hxxxx)		wdptr (1'bx)	wrsz (4'bxxxx)	address[0] (rio_addr[3])
	Initial	Final			
2	FF00	00FF	1	1011	1
	FF00	FFFF	0	1100	1
	FFFF	00FF	0	1100	0
	FFFF	FFFF	0	1100	0
3	FF00	00FF	0	1100	1
	FF00	FFFF	1	1100	1
	FFFF	00FF	1	1100	0
	FFFF	FFFF	1	1100	0
4	FF00	00FF	1	1100	1
	FF00	FFFF	1	1100	1
	FFFF	00FF	1	1100	0
	FFFF	FFFF	1	1100	0
5	FF00	00FF	1	1100	1
	FF00	FFFF	1	1101	1
	FFFF	00FF	1	1101	0
	FFFF	FFFF	1	1101	0
6	FF00	00FF	1	1101	1
	FF00	FFFF	1	1101	1
	FFFF	00FF	1	1101	0
	FFFF	FFFF	1	1101	0
7	FF00	00FF	1	1101	1
	FF00	FFFF	1	1101	1
	FFFF	00FF	1	1101	0

continued...

⁽²²⁾ The I/O Logical layer slave module does not handle byteenable values and byteenable-burstcount combinations that the Avalon-MM interface does not allow. In case of an invalid byteenable or burstcount value, the RapidIO II IP core sets the



Avalon-MM Signal Values ⁽²²⁾			RapidIO Header Field Values		
burstcount (Decimal, 128-bit units)	byteenable (16'hxxxx)		wdptr (1'bx)	wrsz (4'bx)	address[0] (rio_addr[3])
	Initial	Final			
	FFFF	FFFF	1	1101	0
8	FF00	00FF	1	1101	1
	FF00	FFFF	1	1101	1
	FFFF	00FF	1	1101	0
	FFFF	FFFF	1	1101	0
9	FF00	00FF	1	1101	1
	FF00	FFFF	1	1111	1
	FFFF	00FF	1	1111	0
	FFFF	FFFF	1	1111	0
10, 11, ..., 16	FF00	00FF	1	1111	1
	FF00	FFFF	1	1111	1
	FFFF	00FF	1	1111	0
	FFFF	FFFF	1	1111	0
17	FF00	00FF	1	1111	1

4.3.2.4. Input/Output Avalon-MM Slave Module Timing Diagrams

Both transaction requests are initiated by local user logic and appear on the Avalon-MM interface of the slave module. Timing diagrams shows the timing dependencies on the Avalon-MM slave interface for an outgoing RapidIO NREAD request and NWRITE transaction.

INVALID_WRITE_BYTEENABLE bit or the INVALID_WRITE_BURSTCOUNT bit (or both) of the I/O Slave Interrupt register if this interrupt is enabled in the I/O Slave Interrupt Enable register.



Figure 23. NREAD Transaction on the Input/Output Avalon-MM Slave Interface

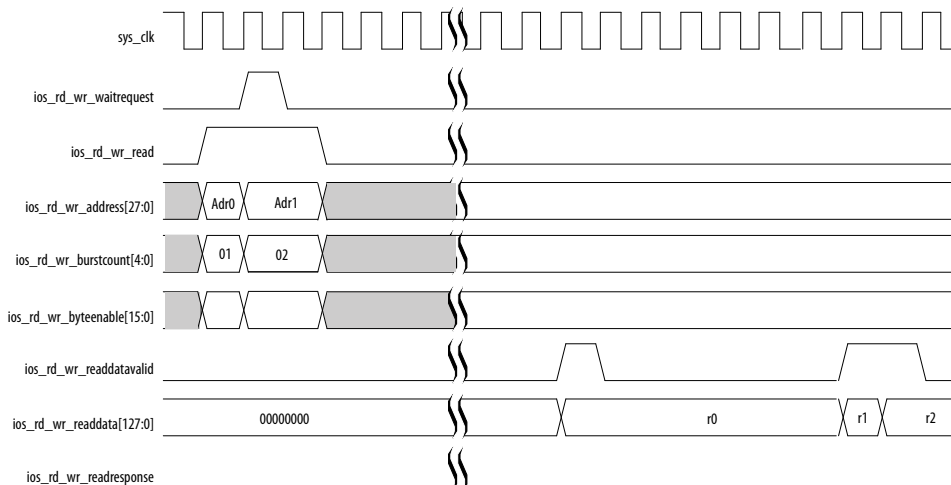
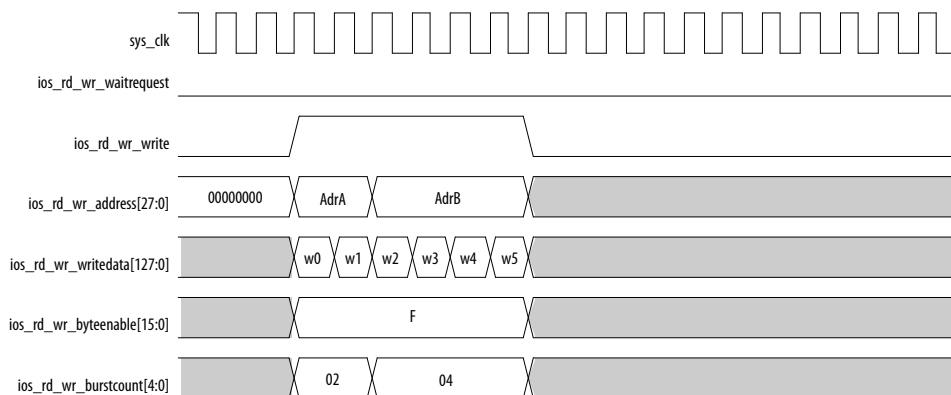


Figure 24. NWRITE Transaction on the Input/Output Avalon-MM Slave Interface



4.3.3. Maintenance Module

The Maintenance module is an optional component of the I/O Logical layer. The Maintenance module processes MAINTENANCE transactions, including the following transactions:

- Type 8 – MAINTENANCE read and write requests and responses
- Type 8 – Port-write packets

The Avalon-MM slave interface allows you to initiate a MAINTENANCE read or write operation on the RapidIO link. The Avalon-MM slave interface supports the following Avalon transfers:

- Single slave write transfer with variable wait-states
- Pipelined read transfers with variable latency

The data bus on the Maintenance Avalon-MM interface is 32 bits wide.



The Avalon-MM master interface allows you to respond to a MAINTENANCE read or write operation on the RapidIO link. The Avalon-MM master interface supports the following Avalon transfers:

- Single master write transfer
- Pipelined master read transfers

Note: MAINTENANCE read and write operations that target the address range for the RapidIO II IP core registers do not appear on the Avalon-MM master interface. Instead, the RapidIO II IP core routes them internally to implement the register read and write operations.

MAINTENANCE port-write transactions do not appear on the Maintenance Avalon-MM interface.

4.3.3.1. Maintenance Interface Transactions

The Maintenance slave module accepts read and write transactions from the Avalon-MM interconnect, converts them to RapidIO MAINTENANCE request packets, and sends them to the Transport layer of the RapidIO II IP core, to be sent to the Physical layer and transmitted on the RapidIO link. The Maintenance slave module uses the valid MAINTENANCE response packets that it receives on the RapidIO link to complete the read transactions on the Maintenance slave interface.

The Maintenance master module executes register read and write transactions in response to MAINTENANCE requests that the RapidIO II IP core receives on the RapidIO link, and sends the appropriate MAINTENANCE response packets.

4.3.3.2. Maintenance Interface Signals

Table 22. Maintenance Avalon-MM Slave Interface Signals

Signal	Direction	Description
mnt_s_waitrequest	Output	Maintenance slave wait request.
mnt_s_read	Input	Maintenance slave read request.
mnt_s_write	Input	Maintenance slave write request.
mnt_s_address[23:0]	Input	Maintenance slave address bus. The address is a word address, not a byte address.
mnt_s_writedata[31:0]	Input	Maintenance slave write data bus.
mnt_s_readdata[31:0]	Output	Maintenance slave read data bus.
mnt_s_readdatavalid	Output	Maintenance slave read data valid.
mnt_s_readerror	Output	Maintenance slave read error, which indicates that the read transfer did not complete successfully. This signal is valid only when the mnt_s_readdatavalid signal is asserted.

The Maintenance module supports an interrupt line, `mnt_mnt_s_irq`, on the Register Access interface. When enabled, the following interrupts assert the `mnt_mnt_s_irq` signal:



- Received port-write.
- Various error conditions, including a MAINTENANCE read request or MAINTENANCE write request that targets an out-of-bounds address.

Table 23. Maintenance Avalon-MM Master Interface Signals

Signal	Direction	Description
usr_mnt_waitrequest	Input	Maintenance master wait request.
usr_mnt_read	Output	Maintenance master read request.
usr_mnt_write	Output	Maintenance master write request.
usr_mnt_address[31:0]	Output	Maintenance master address bus.
usr_mnt_writedata[31:0]	Output	Maintenance master write data bus.
usr_mnt_readdata[31:0]	Input	Maintenance master read data bus.
usr_mnt_readdatavalid	Input	Maintenance master read data valid.

Related Information

[Maintenance Interrupt Control Registers](#) on page 183

4.3.3.3. Initiating MAINTENANCE Read and Write Transactions

To initiate a MAINTENANCE read or write transaction on the RapidIO link, your system executes a read or write transfer on the Maintenance Avalon-MM slave interface.

4.3.3.3.1. IP Core Actions

In response to incoming Avalon-MM requests to the Maintenance module slave interface, the RapidIO II IP core Maintenance module generates MAINTENANCE requests on the RapidIO link, by performing the following tasks:

- For each incoming Avalon-MM read request, composes the RapidIO MAINTENANCE read request packet.
- For each incoming Avalon-MM write request, composes the RapidIO MAINTENANCE write request packet.
- Maintains status related to the composed MAINTENANCE packet to track responses.
- Presents the composed MAINTENANCE packet to the Transport layer for transmission on the RapidIO link.

Note: At any time, the Maintenance module can maintain a maximum of 64 outstanding MAINTENANCE requests that can be MAINTENANCE reads, MAINTENANCE writes, or port-write requests. The Maintenance module slave port asserts the `mnt_s_waitrequest` signal to throttle incoming requests above the limit.

4.3.3.4. Defining the Maintenance Address Translation Windows

Two address translation windows available for interpreting incoming Avalon-MM requests to the Maintenance module slave interface.

You must program the Tx Maintenance Window registers to support the address ranges you wish to distinguish. The RapidIO II IP core Maintenance module populates the following RapidIO Type 8 Request packet fields with values you program for the relevant address translation window:

- prio
- destinationID
- hop_count

You can disable an address translation window that is available in your configuration.

The RapidIO II IP core includes one set of Tx Maintenance Mapping Window registers for each translation window. The following registers define address translation window *n*:

- A base register: Tx Maintenance Mapping Window *n* Base
- A mask register: Tx Maintenance Mapping Window *n* Mask
- An offset register: Tx Maintenance Mapping Window *n* Offset
- A control register: Tx Maintenance Mapping Window *n* Control

To enable a window, set the window enable (WEN) bit of the window's Tx Maintenance Window *n* Mask register to the value of 1. To disable it, set the WEN bit to the value of zero.

For each defined and enabled window, the RapidIO II IP core masks out the Avalon-MM address's least significant bits with the window mask and compares the resulting address to the window base. If the address matches multiple windows, the IP core uses the lowest number matching window.

After determining the appropriate matching window, the RapidIO II IP core creates the 21-bit `config_offset` value in the converted MAINTENANCE transaction based on the following equation:

```
If (mnt_s_address[23:1] & mask[25:3]) == base[25:3]
then config_offset = (offset[23:3] & mask[23:3]) | (mnt_s_address[21:1] &
~mask[23:3])
```

where:

- `mnt_s_address[23:0]` is the Avalon-MM slave interface address signal, which holds bits [25:2] of the 26-bit byte address
- `mask[31:0]` is the mask register
- `base[31:0]` is the base address register
- `offset[23:0]` is the OFFSET field of the window offset register

Related Information

[Transmit Maintenance Registers](#) on page 184

4.3.3.5. Responding to MAINTENANCE Read and Write Requests

To respond to a MAINTENANCE read or write request packet it receives on the RapidIO link, the RapidIO II IP core sends a read or write request to the Maintenance module master interface.



4.3.3.5.1. IP Core Actions

In response to incoming MAINTENANCE requests on the RapidIO link that do not target the RapidIO II IP core internal register set, the RapidIO II IP core Maintenance module generates Avalon-MM requests on the Maintenance module master interface, by performing the following tasks:

- For a MAINTENANCE read, converts the received request packet to an Avalon read request and presents it across the Maintenance Avalon-MM master interface.
- For a MAINTENANCE write, converts the received request packet to an Avalon write transfer and presents it across the Maintenance Avalon-MM master interface.
- For each Avalon read request the IP core presents on the Maintenance Avalon-MM master interface, the Maintenance module accepts the data response, generates a Type 8 Response packet, and presents the response packet to the Transport layer for transmission on the RapidIO link.

The Maintenance module only supports single 32-bit word transfers, that is, `rdsize` and `wrsize` = 4'b1000. If the RapidIO II IP core receives a MAINTENANCE request on the RapidIO link with a different value in this field, the IP core sends an error response packet on the RapidIO link, and no transfer occurs.

The RapidIO II IP core uses the `wdptr` and `config_offset` values in the incoming RapidIO request packet to generate the Avalon-MM address in the transaction it presents on the Maintenance module master interface, using the following formula:

```
usr_mnt_address = {8'h00, config_offset, ~wdptr, 2'b00}
```

The IP core presents the data in the RapidIO transaction `payload` field on the `usr_mnt_writedata[31:0]` bus.

4.3.3.6. Handling Port-Write Transactions

The RapidIO II IP core supports RapidIO MAINTENANCE port-write transactions. However, these transactions do not appear on the Maintenance Avalon-MM interface.

Your system controls the transmission of port-write transactions on the RapidIO link by programming RapidIO II IP core transmit port-write registers using the Register Access interface. When the RapidIO II IP core receives a MAINTENANCE port-write request packet on the RapidIO link, it processes the transaction according to the values you program in the receive port-write registers, and if you have enabled this interrupt signal, asserts the `mnt_mnt_s_irq` signal to inform the system that the IP core has received a port-write transaction.

4.3.3.6.1. IP Core Actions

The port-write processor in the Maintenance module performs the following tasks:

- Composes the RapidIO MAINTENANCE port-write request packet.
- Presents the port-write request packet to the Transport layer for transmission.
- Processes port-write request packets received across the RapidIO link from a remote device.
- Alerts the user of a received port-write using the `mnt_mnt_s_irq` signal.

4.3.3.6.2. Port-Write Transmission

To send a RapidIO MAINTENANCE port-write packet to a remote device, you must program the transmit port-write control and data registers. You access these registers using the Register Access Avalon-MM slave interface. You must program the values for the following header fields in the corresponding fields in the Tx Port Write Control register:

- DESTINATION_ID
- priority
- wrsize

The RapidIO II IP core assigns the following values to the fields of the MAINTENANCE port-write packet:

- Assigns `ftype` the value of `4'b1000`
- Assigns `ttype` the value of `4'b0100`
- Calculates the values for the `wdptr` and `wrsize` fields of the transmitted packet from the size of the payload to be sent, as defined by the `size` field of the Tx Port Write Control register
- Assigns the value of 0 to the Reserved `source_tid` and `config_offset` fields

The IP core creates the packet's payload from the contents of the Tx Port Write Buffer sequence of registers starting at register address `0x10210`. This buffer can store a maximum of 64 bytes. The IP core starts the packet composition and transmission process after you set the `PACKET_READY` bit in the Tx Port Write Control register. The RapidIO II IP core composes the MAINTENANCE port-write packet and transmits it on the RapidIO link.

Related Information

[Transmit Port-Write Registers](#) on page 185

4.3.3.6.3. Port-Write Reception

When the RapidIO II IP core Maintenance module receives a MAINTENANCE port-write request packet (`ftype` has the value of `4'b1000` and `ttype` has the value of `4'b0100`) from the Transport layer, it extracts information from the packet header and uses the information to write to registers Rx Port Write Control through Rx Port Write Buffer. The Maintenance module extracts information from the following fields:

- `wrsize` and `wdptr` — the values in the `wrsize` and `wdptr` packet fields determine the value of the `PAYLOAD_SIZE` field in the Rx Port Write Status register.
- `payload` — the Maintenance module copies the value of the `payload` packet field to the Rx Port Write Buffer starting at register address `0x10260`. This buffer holds a maximum of 64 bytes.

While the IP core is writing the payload to the buffer, it holds the `PORT_WRITE_BUSY` bit of the Rx Port Write Status register asserted. After the payload is completely written to the buffer, if you have set the `RX_PACKET_STORED` bit of the



Maintenance Interrupt Enable register, the IP core asserts the interrupt signal `mnt_mnt_s_irq` on the Register Access interface to alert your system of the port-write request.

Related Information

[Receive Port-Write Registers](#) on page 186

4.3.3.7. Maintenance Interface Transaction Examples

Following are the examples of communication on the RapidIO II IP core Maintenance interface:

- User Sending MAINTENANCE Write Requests
- User Receiving MAINTENANCE Write Requests
- User Sending MAINTENANCE Read Requests and Receiving Responses
- User Receiving MAINTENANCE Read Requests and Sending Responses

4.3.3.7.1. User Sending MAINTENANCE Write Requests

Table 24. Maintenance Interface Usage Example: Sending MAINTENANCE Write Request

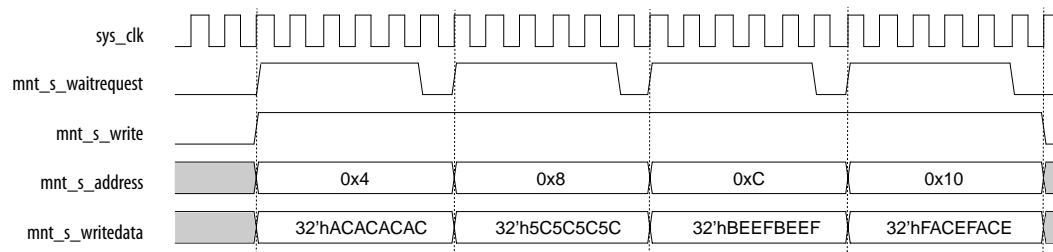
User Operation	Device ID Width	Payload Size
Send MAINTENANCE write request	8-bit	32-bit

To write to a register in a remote endpoint using a MAINTENANCE write request, you must perform the following actions:

- Set up the registers.
- Perform a write transfer on the Maintenance Avalon-MM slave interface.

Figure 25. Write Transfers on the Maintenance Avalon-MM Slave Interface

It shows the behavior of the signals for four write transfers on the Maintenance Avalon-MM slave interface.



In the first active clock cycle of the example, user logic specifies the active transaction to be a write request by asserting the `mnt_s_write` signal while specifying the write data on the `mnt_s_writedata` signal and the target address for the write data on the `mnt_s_address` signal. However, the RapidIO II IP core throttles the incoming transaction by asserting the `mnt_s_writerequest` signal until it is ready to receive the write transaction.

In the example, the IP core throttles the incoming transaction for five clock cycles, because it requires six clock cycles to process each write transaction. The user logic maintains the values on the `mnt_s_write`, `mnt_s_writedata`, and `mnt_s_address` signals until one clock cycle after the IP core deasserts the

`mnt_s_waitrequest` signal, as required by the Avalon-MM specification. In the following clock cycle, user logic sends the next write request, which the IP core also throttles for five clock cycles. The process repeats for an additional two write requests.

Table 25. Maintenance Write Request Transmit Example: RapidIO Packet Fields

Field	Value	Comment
<code>ackID</code>	6'h00	Value is written by the Physical layer before the packet is transmitted on the RapidIO link.
<code>VC</code>	0	The RapidIO II IP core supports only VC0.
<code>CRF</code>	0	This bit sets packet priority together with <code>prio</code> if CRF is supported. This bit is reserved if VC=0 and CRF is not supported.
<code>prio[1:0]</code>	2'b00	The IP core assigns to this field the value programmed in the <code>PRIORITY</code> field of the Tx Maintenance Mapping Window <code>n</code> Control register for the matching address translation window <code>n</code> .
<code>tt[1:0]</code>	2'b00	The value of 0 indicates 8-bit device IDs.
<code>ftype[3:0]</code>	4'b1000	The value of 8 indicates a Maintenance Class packet.
<code>destinationID[7:0]</code>		The IP core assigns to this field the value programmed in the <code>DESTINATION_ID</code> field of the Tx Maintenance Mapping Window <code>n</code> Control register for the matching address translation window <code>n</code> .
<code>sourceID[7:0]</code>		The IP core assigns to this field the value programmed in the <code>Base_deviceID</code> field of the Base Device ID register (offset 0x60).
<code>ttype[3:0]</code>	4'b0001	The value of 1 indicates a MAINTENANCE write request.
<code>wrsize[3:0]</code>	4'b1000	The size and <code>wdptr</code> values encode the maximum size of the payload field. In MAINTENANCE transactions, the value of <code>wrsize</code> is always 4'b1000, which decodes to a value of 4 bytes.
<code>srcTID[7:0]</code>		The RapidIO II IP core generates the source transaction ID value internally to track the transaction response. The value depends on the current state of the RapidIO II IP core when it prepares the RapidIO packet.
<code>config_offset[20:0]</code>		Depends on the value on the <code>mnt_s_address</code> bus, and the values programmed in the Tx Maintenance Address Translation Window registers.
<code>wdptr</code>		The IP core assigns to this field the negation of <code>mnt_s_address[0]</code> .
<code>hop_count</code>		The IP core assigns to this field the value programmed in the <code>HOP_COUNT</code> field of the Tx Maintenance Mapping Window <code>n</code> Control register for the matching address translation window <code>n</code> .
<code>payload[63:0]</code>		The IP core assigns the value of <code>mnt_s_writedata[31:0]</code> to the appropriate half of this field.

4.3.3.7.2. User Receiving MAINTENANCE Write Requests

Table 26. Maintenance Interface Usage Example: Receiving MAINTENANCE Write Request

User Operation	Device ID Width	Payload Size
Receive MAINTENANCE write request	8-bit	32-bit

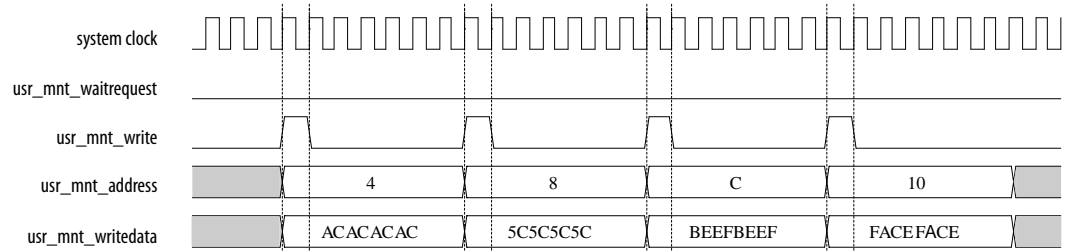
The RapidIO II IP core generates write transfers on the Maintenance Avalon-MM master interface in response to Type 8 MAINTENANCE Write request packets on the RapidIO link with the following properties:



- `ttype` has the value of `4'b0001`, indicating a MAINTENANCE Write request
- `config_offset` has a value that indicates an address outside the range of the RapidIO II IP core internal register set

Figure 26. Write Transfers on the Maintenance Avalon-MM Master Interface

It shows the signal relationships when the RapidIO II IP core presents a sequence of four write transfers on the Maintenance Avalon-MM master interface.



In the first active clock cycle, the RapidIO II IP core indicates the start of a write transfer by asserting the `usr_mnt_write` signal. Simultaneously, the IP core presents the target address on the `usr_mnt_address` bus and the data on the `usr_mnt_writedata` bus.

In this example, user logic does not assert the `usr_mnt_waitrequest` signal. However, when user logic asserts the `usr_mnt_waitrequest` signal during a write transfer, the IP core maintains the address and data values on the buses until at least one clock cycle after user logic deasserts the `usr_mnt_waitrequest` signal. User logic can use the `usr_mnt_waitrequest` signal to throttle requests on this interface until it is ready to process them.

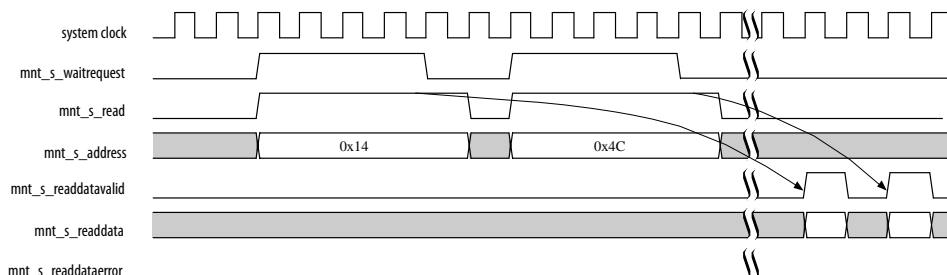
4.3.3.7.3. User Sending MAINTENANCE Read Requests and Receiving Responses

Table 27. Maintenance Interface Usage Example: Sending MAINTENANCE Read Request and Receiving Response

User Operation	Device ID Width	Payload Size
Send MAINTENANCE read request	16-bit	0
Receive MAINTENANCE read response	16-bit	32-bit

Figure 27. Read Transfers on the Maintenance Avalon-MM Slave Interface

It shows the behavior of the signals for two read transfers on the Maintenance Avalon-MM slave interface.



In the first active clock cycle of the example, user logic specifies that the active transaction is a read request, by asserting the `mnt_s_read` signal while specifying the source address for the read data on the `mnt_s_address` signal. However, the



RapidIO II IP core throttles the incoming transaction by asserting the `mnt_s_writerequest` signal until it is ready to receive the read transaction. In the example, the IP core throttles the incoming transaction for four clock cycles. The user logic maintains the values on the `mnt_s_read` and `mnt_s_address` signals until one clock cycle after the IP core deasserts the `mnt_s_waitrequest` signal. In the following clock cycle, user logic sends the next read request, which the IP core also throttles for four clock cycles.

The RapidIO II IP core presents the read responses it receives on the RapidIO link as read data responses on the Maintenance Avalon-MM slave interface. The IP core presents the read data responses in the same order it receives the original read requests, by asserting the `mnt_s_readdatavalid` signal while presenting the data on the `mnt_s_data` bus.

Table 28. Maintenance Read Request Transmit Example: RapidIO Packet Fields

Field	Value	Comment
ackID	6'h00	Value is written by the Physical layer before the packet is transmitted on the RapidIO link.
VC	0	The RapidIO II IP core supports only VC0.
CRF	0	This bit sets packet priority together with <code>prio</code> if CRF is supported. This bit is reserved if VC=0 and CRF is not supported.
prio[1:0]		The IP core assigns to this field the value programmed in the <code>PRIORITY</code> field of the Tx Maintenance Mapping Window <code>n</code> Control register for the matching address translation window <code>n</code> .
tt[1:0]	2'b01	The value of 1 indicates 16-bit device IDs.
ftype[3:0]	4'b1000	The value of 8 indicates a Maintenance Class packet.
destinationID[15:0]		The IP core assigns to this field based on the values programmed in the <code>LARGE_DESTINATION_ID</code> and <code>DESTINATION_ID</code> fields of the Tx Maintenance Mapping Window <code>n</code> Control register for the matching address translation window <code>n</code> .
sourceID[15:0]		The IP core assigns to this field the value programmed in the <code>Large_base_deviceID</code> field of the Base Device ID register (offset 0x60).
ttype[3:0]	4'b0000	The value of 0 indicates a MAINTENANCE read request.
rdsiz[3:0]	4'b1000	The <code>size</code> and <code>wdptr</code> values encode the maximum size of the payload field. In MAINTENANCE transactions, the value of <code>rdsiz</code> is always 4'b1000, which decodes to a value of 4 bytes.
srcTID[7:0]		The RapidIO II IP core generates the source transaction ID value internally to track the transaction response. The value depends on the current state of the RapidIO II IP core when it prepares the RapidIO packet.
config_offset[20:0]		Depends on the value on the <code>mnt_s_address</code> bus, and the values programmed in the Tx Maintenance Address Translation Window registers.
wdptr		The IP core assigns to this field the negation of <code>mnt_s_address[0]</code> .
hop_count		The IP core assigns to this field the value programmed in the <code>HOP_COUNT</code> field of the Tx Maintenance Mapping Window <code>n</code> Control register for the matching address translation window <code>n</code> .



4.3.3.7.4. User Receiving MAINTENANCE Read Requests and Sending Responses

Table 29. Maintenance Interface Usage Example: Receiving MAINTENANCE Read Request and Sending Response

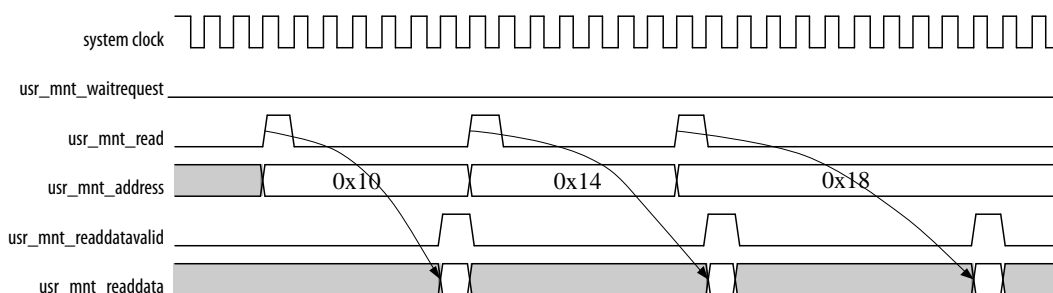
User Operation	Device ID Width	Payload Size
Receive MAINTENANCE read request	16-bit	0
Send MAINTENANCE read response	16-bit	32-bit

The RapidIO II IP core generates read requests on the Maintenance Avalon-MM master interface when it receives Type 8 MAINTENANCE Read packets on the RapidIO link with the following properties:

- `ttype` has the value of 4'b0000, indicating a MAINTENANCE Read request
- `config_offset` has a value that indicates an address outside the range of the RapidIO II IP core internal register set

Figure 28. Read Transfers on the Maintenance Avalon-MM Master Interface

It shows the signal relationships for an example sequence of three read requests that the RapidIO II IP core presents on the Maintenance Avalon-MM master interface, and the data responses from user logic.



In the first active clock cycle, the RapidIO II IP core indicates the start of a read request by asserting the `usr_mnt_read` signal. Simultaneously, the IP core presents the target address on the `usr_mnt_address` bus.

User logic presents the read responses on the Maintenance Avalon-MM master interface by asserting the `usr_mnt_readdatavalid` signal while presenting the data on the `usr_mnt_data` bus.

4.3.3.8. Maintenance Packet Error Handling

The Maintenance Interrupt register (at 0x10080) and the Maintenance Interrupt Enable register (at 0x10084), determine the error handling and reporting for MAINTENANCE packets.

The following errors can also occur for MAINTENANCE packets:

- A MAINTENANCE read or MAINTENANCE write request time-out occurs and a `PKT_RSP_TIMEOUT` interrupt (bit 24 of the Logical/Transport Layer Error Detect CSR, is generated if a response packet is not received within the time specified by the Port Response Time-Out Control register.
- The `IO_ERROR_RSP` (bit 31 of the Logical/Transport Layer Error Detect CSR) is set when an ERROR response is received for a transmitted MAINTENANCE packet.

Related Information

- [Maintenance Interrupt Control Registers](#) on page 183
- [Logical/Transport Layer Error Detect](#) on page 194
- [Port Response Time-out Control CSR](#) on page 157
- [Error Management Registers](#) on page 192

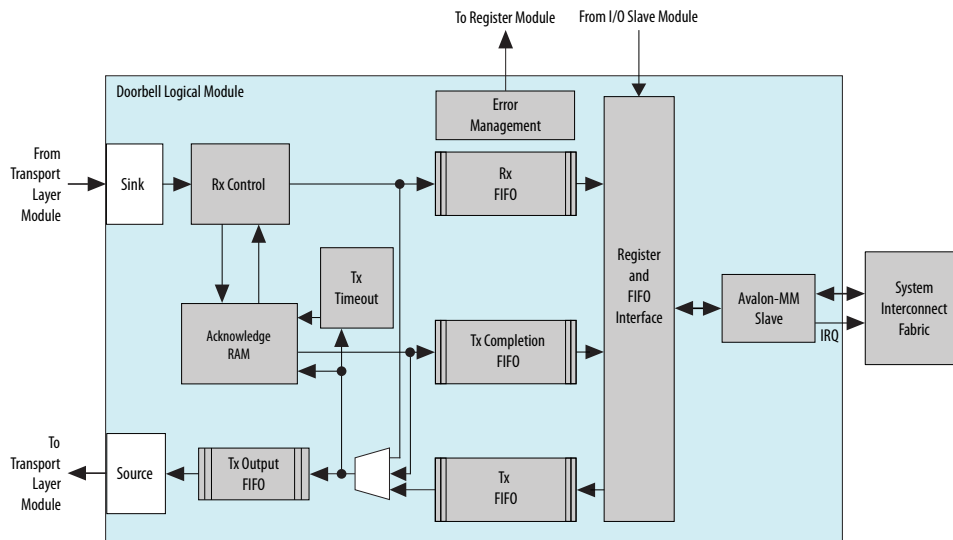
4.3.4. Doorbell Module

The Doorbell module is an optional component of the I/O Logical layer. The Doorbell module provides support for Type 10 packet format (DOORBELL class) transactions, allowing users to send and receive short software-defined messages to and from other processing elements connected to the RapidIO interface.

In a typical application the Doorbell module's Avalon-MM slave interface is connected to the system interconnect fabric, allowing an Avalon-MM master to communicate with RapidIO devices by sending and receiving DOORBELL messages.

When you configure the RapidIO II IP core, you can enable or disable the DOORBELL operation feature, depending on your application requirements. If you do not need the DOORBELL feature, disabling it reduces device resource usage. If you enable the feature, a 32-bit Avalon-MM slave port is created that allows the RapidIO II IP core to receive and generate RapidIO DOORBELL messages.

Figure 29. Doorbell Module Block Diagram



This module includes a 32-bit Avalon-MM slave interface to user logic. The Doorbell module contains the following logic blocks:



- Register and FIFO interface that allows an external Avalon-MM master to access the Doorbell module's internal registers and FIFO buffers.
- Tx output FIFO that stores the outbound DOORBELL and response packets waiting for transmission to the Transport layer module.
- Acknowledge RAM that temporarily stores the transmitted DOORBELL packets pending responses to the packets from the target RapidIO device.
- Tx time-out logic that checks the expiration time for each outbound Tx DOORBELL packet that is sent.
- Rx control that processes DOORBELL packets received from the Transport layer module. Received packets include the following packet types:
 - Rx DOORBELL request.
 - Rx response DONE to a successfully transmitted DOORBELL packet.
 - Rx response RETRY to a transmitted DOORBELL message.
 - Rx response ERROR to a transmitted DOORBELL message.
- Rx FIFO that stores the received DOORBELL messages until they are read by an external Avalon-MM master device.
- Tx FIFO that stores DOORBELL messages that are waiting to be transmitted.
- Tx staging FIFO that stores DOORBELL messages until they can be passed to the Tx FIFO. The staging FIFO is present only if you select Prevent doorbell messages from passing write transactions in the RapidIO II parameter editor.
- Tx completion FIFO that stores the transmitted DOORBELL messages that have received responses. This FIFO also stores timed out Tx DOORBELL requests.
- Error Management module that reports detected errors, including the following errors:
 - Unexpected response (a response packet was received, but its TransactionID does not match any pending request that is waiting for a response).
 - Request time-out (an outbound DOORBELL request did not receive a response from the target device).

4.3.4.1. Preserving Transaction Order

If you select Prevent doorbell messages from passing write transactions in the RapidIO II parameter editor, each DOORBELL message from the Avalon-MM interface is potentially delayed in a Tx staging FIFO. After all I/O write transactions that started on the write Avalon-MM slave interface before this DOORBELL message arrived on the Doorbell module Avalon-MM interface have been transmitted to the Transport layer, the IP core releases the message from the FIFO. An I/O write transaction is considered to have started before a DOORBELL transaction if the `ios_rd_wr_write` signal is asserted while the `ios_rd_wr_waitrequest` signal is not asserted, on a cycle preceding the cycle on which the `drbell_s_write` signal is asserted for writing to the Tx Doorbell register while the `drbell_s_waitrequest` signal is not asserted.

If you do not select **Prevent doorbell messages from passing write transactions** in the RapidIO II parameter editor, the Doorbell Tx staging FIFO is not configured in the RapidIO II IP core.

4.3.4.2. Doorbell Module Interface Signals

Table 30. Doorbell Module Interface Signals

Signal	Direction	Description
drbell_s_waitrequest	Output	Doorbell module wait request.
drbell_s_write	Input	Doorbell module write request.
drbell_s_read	Input	Doorbell module read request.
drbell_s_address[3:0]	Input	Doorbell module address bus. The address is a word address, not a byte address.
drbell_s_writedata[31:0]	Input	Doorbell module write data bus.
drbell_s_readdata[31:0]	Output	Doorbell module read data bus.
drbell_s_irq	Output	Doorbell module interrupt.

4.3.4.3. Generating a Doorbell Message

To generate a DOORBELL request packet on the RapidIO serial interface, follow these steps, using the set of Doorbell Message Registers:

1. Optionally enable interrupts by writing the value 1 to the appropriate bit of the Doorbell Interrupt Enable register.
2. Optionally enable confirmation of successful outbound messages by writing 1 to the COMPLETED bit of the Tx Doorbell Status Control register.
3. Set up the PRIORITY field of the Tx Doorbell Control register.
4. Write the Tx Doorbell register to set up the DESTINATION_ID and Information fields of the generated DOORBELL packet format.

Note:

Before writing to the Tx Doorbell register you must be certain that the Doorbell module has available space to accept the write data. Ensuring sufficient space exists avoids a waitrequest signal assertion due to a full FIFO. When the waitrequest signal is asserted, you cannot perform other transactions on the DOORBELL Avalon-MM slave port until the current transaction is completed. You can determine the combined fill level of the staging FIFO and the Tx FIFO by reading the Tx Doorbell Status register. The total number of Doorbell messages stored in the staging FIFO and the Tx FIFO, together, is limited to 16 by the assertion of the drbell_s_waitrequest signal.

Related Information

- [Doorbell Interrupt](#) on page 207
- [Tx Doorbell](#) on page 206

4.3.4.4. Response to a DOORBELL Request

After the IP core detects a write to the Tx Doorbell register, internal control logic generates and sends a Type 10 packet based on the information in the Tx Doorbell and Tx Doorbell Control registers. A copy of the outbound DOORBELL packet is stored in the Acknowledge RAM.



When the IP core receives a response to an outbound DOORBELL message, the IP core writes the corresponding copy of the outbound message to the Tx Doorbell Completion FIFO (if enabled), and generates an interrupt (if enabled) on the Avalon-MM slave interface by asserting the `drbell_s_irq` signal of the Doorbell module. The `ERROR_CODE` field in the Tx Doorbell Completion Status register indicates successful or error completion.

The IP core sets the corresponding interrupt status bit each time it receives a valid response packet. The interrupt bit resets itself when the Tx Completion FIFO is empty. Software optionally can clear the interrupt status bit by writing a 1 to this specific bit location of the Doorbell Interrupt Status register.

Upon detecting the interrupt, software can fetch the completed message and determine its status by reading the Tx Doorbell Completion register and Tx Doorbell Completion Status register respectively.

An outbound DOORBELL message is assigned a time-out value based on the `VALUE` field of the Port Response Time-Out Control register and a free-running counter. When the counter reaches the time-out value, if the DOORBELL transaction has not yet received a response, the transaction times out.

An outbound message that times out before the IP core receives its response is treated in the same manner as an outbound message that receives an error response: if the `TX_CPL` field of the Doorbell Interrupt Enable register is set, the Doorbell module generates an interrupt by asserting the `drbell_s_irq` signal, and setting the `ERROR_CODE` field in the Tx Doorbell Completion Status register to indicate the error.

If the interrupt is not enabled, the Avalon-MM master must periodically poll the Tx Doorbell Completion Status register to check for available completed messages before retrieving them from the Tx Completion FIFO.

DOORBELL request packets for which RETRY responses are received are resent by hardware automatically. No retry limit is imposed on outbound DOORBELL messages.

Related Information

- [Doorbell Interrupt](#) on page 207
- [Tx Doorbell](#) on page 206

4.3.4.5. Receiving a Doorbell Message

When the Doorbell module receives a DOORBELL request packet from the Transport layer module, the module stores the request in an internal buffer and generates an interrupt on the DOORBELL Avalon-MM slave interface—asserts the `drbell_s_irq` signal—if this interrupt is enabled.

The corresponding interrupt status bit is set every time a DOORBELL request packet is received and resets itself when the Rx FIFO is empty. Software can clear the interrupt status bit by writing a 1 to this specific bit location of the Doorbell Interrupt Status register.

The RapidIO II IP core generates an interrupt when it receives a valid response packet and when it receives a request packet. Therefore, when user logic receives an interrupt (the `drbell_s_irq` signal is asserted), you must check the `Doorbell Interrupt Status` register to determine the type of event that triggered the interrupt.

If the interrupt is not enabled, user logic must periodically poll the `Rx Doorbell Status` register to check the number of available messages before retrieving them from the Rx doorbell buffer.

The Doorbell module generates and sends appropriate Type 13 response packets for all the `DOORBELL` messages it receives. The module generates a response with the following status, depending on its ability to process the message:

- With `DONE` status if the received `DOORBELL` packet can be processed immediately.
- With `RETRY` status to defer processing the received message when the internal hardware is busy, for example when the Rx doorbell buffer is full.

Related Information

- [Doorbell Interrupt](#) on page 207
- [Rx Doorbell](#) on page 205

4.3.5. Avalon-ST Pass-Through Interface

The Avalon-ST pass-through interface is an optional interface that is generated when you select the **Avalon-ST pass-through interface** in the **Transport and Maintenance** page of the RapidIO II parameter editor.

The Avalon-ST pass-through interface supports the following applications:

- User implementation of a RapidIO function not supported by this IP core (for example, data message passing).
- User implementation of a custom function not specified by the RapidIO protocol, but which may be useful for the system application.

After packets appear on your RapidIO II IP core Rx Avalon-ST pass-through interface, your application can route them to a local processor or custom user function to process them according to your design requirements.

Related Information

- [Enable Avalon-ST Pass-Through Interface](#) on page 39
- [Transaction ID Ranges](#) on page 96

4.3.5.1. Transaction ID Ranges

To limit the required storage, the RapidIO II IP core shares a single pool of transaction IDs among all destination IDs, although the RapidIO specification allows for independent pools for each Source-Destination pair.

To simplify the routing of incoming `ftype=13` response packets, the IP core assigns an exclusive range of transaction IDs to each of the instantiated Logical layer modules. This set of assignments simplifies response routing, but places a constraint on your design. If you implement custom logic that communicates to the RapidIO II IP core through the Avalon-ST pass-through interface, you must ensure your logic does



not use a transaction ID assigned to another instantiated Logical layer module for transmitting request packets that expect an `ftype=13` response packet. If you use such a transaction ID, the response routes away from the Avalon-ST pass-through interface and your custom module never receives the response.

Table 31. Transaction ID Ranges and Assignments

Range	Assignments
0-63	This range of Transaction IDs is used for <code>f_{type}=8</code> responses by the Maintenance Logical layer Avalon-MM slave module.
64-127	<code>f_{type}=13</code> responses in this range are reserved for exclusive use by the Input-Output Logical layer Avalon-MM slave module.
128-143	<code>f_{type}=13</code> responses in this range are reserved for exclusive use by the Doorbell Logical layer module.
144-255	This range of Transaction IDs is currently unused and is available for use by Logical layer modules connected to the pass-through interface.

The RapidIO II IP core Transport layer routes response packets of `ftype=13` with transaction IDs outside the 64–143 range to the Avalon-ST pass-through interface. Your system should not use transaction IDs in the 0-63 range if the Maintenance Logical layer Avalon-MM slave module is instantiated, because their use might cause the uniqueness of transaction ID rule to be violated.

If the Input-Output Avalon-MM slave module or the Doorbell Logical layer module is not instantiated, the RapidIO II IP core Transport layer routes the response packets in the corresponding Transaction IDs ranges for these layers to the Avalon-ST pass-through interface.

4.3.5.2. Pass-Through Interface Signals

The Avalon-ST pass-through interface includes the following ports:

- Transmit interface — this sink interface accepts incoming streaming data that the IP core sends to the RapidIO link.
- Receive data interface — this source interface streams out the payload of packets the IP core receives from the RapidIO link.
- Receive header interface — this source interface streams out packet header information the IP core receives from the RapidIO link.

Pass-Through Transmit Side Signals

The Avalon-ST pass-through interface transmit side signals receive incoming streaming data from user logic; the IP core transmits this data on the RapidIO link. The RapidIO II IP core samples data on this interface only when both `gen_tx_ready` and `gen_tx_valid` are asserted.

The incoming streaming data is assumed to contain well-formed RapidIO packets, with the following exceptions:

- The streaming data includes placeholder bits for the `ackID` field of the RapidIO packet, but does not include the `ackID` value, which is assigned by the IP core.
- The streaming data does not include the RapidIO packet CRC bits and padding bytes.

The Avalon-ST pass-through interface does not check the integrity of the streaming data, but rather passes the bits on directly to the Transport layer. The RapidIO II IP core fills in the `ackID` bits and adds the CRC bits and padding bytes before transmitting each packet on the RapidIO link.

Table 32. Avalon-ST Pass-Through Interface Transmit Side (Avalon-ST Sink) Signals

Signal Name	Type	Function
<code>gen_tx_ready</code>	Output	Indicates that the IP core is ready to receive data on the current clock cycle. Asserted by the Avalon-ST sink to mark <i>ready cycles</i> , which are the cycles in which transfers can take place. If <code>ready</code> is asserted on cycle <code>N</code> , the cycle <code>(N+READY_LATENCY)</code> is a ready cycle. In the RapidIO II IP core, <code>READY_LATENCY</code> is equal to 0. This signal may alternate between 0 and 1 when the Avalon-ST pass-through transmitter interface is idle.
<code>gen_tx_valid</code>	Input	Used to qualify all the other transmit side input signals of the Avalon-ST pass-through interface. On every ready cycle in which <code>gen_tx_valid</code> is high, data is sampled by the IP core. You must assert <code>gen_tx_valid</code> continuously during transmission of a packet, from the assertion of <code>gen_tx_startofpacket</code> to the deassertion of <code>gen_tx_endofpacket</code> .
<code>gen_tx_startofpacket</code>	Input	Marks the active cycle containing the start of the packet. The user logic asserts <code>gen_tx_startofpacket</code> and <code>gen_tx_valid</code> to indicate that a packet is available for the IP core to sample.
<code>gen_tx_endofpacket</code>	Input	Marks the active cycle containing the end of the packet.
<code>gen_tx_data[127:0]</code>	Input	A 128-bit wide data bus. Carries the bulk of the information transferred from the source to the sink. The RapidIO II IP core fills in the RapidIO packet <code>ackID</code> field and adds the CRC bits and padding bytes, but otherwise copies the bits from <code>gen_tx_data</code> to the RapidIO packet without modifying them. Therefore, you must pack the appropriate RapidIO packet fields in the correct RapidIO packet format in the most significant bits of the <code>gen_tx_data</code> bus, <code>gen_tx_data[127:N]</code> . The total width <code>(127 - N + 1)</code> of the header fields depends on the transaction and the device ID width.
<code>gen_tx_empty[3:0]</code>	Input	This bus identifies the number of empty bytes on the final data transfer of the packet, which occurs during the clock cycle when <code>gen_tx_endofpacket</code> is asserted. The number of empty bytes must always be even.
<code>gen_tx_packet_size[8:0]</code> ⁽²³⁾	Input	Indicates the number of valid bytes in the packet being transferred. The IP core samples this signal only while <code>gen_tx_startofpacket</code> is asserted. User logic must ensure this signal is correct while <code>gen_tx_startofpacket</code> is asserted.

The required format of the TX header information on the `gen_tx_data` bus for both device ID widths derives directly from the RapidIO specification. You must include the header information in the clock cycle in which you assert `gen_tx_startofpacket`.

Note: The `ackID` field is filled by the IP core, and the eight-bit device ID fields are not extended with zeroes, in contrast to the `destinationID` and `sourceID` fields in `gen_rx_hd_data`.

⁽²³⁾ This signal is not defined in the *Avalon Interface Specifications*. However, it refers to data being transferred on the Avalon-ST sink interface.



Table 33. RapidIO Header Information Format on gen_tx_data Bus

Field	gen_tx_data Bits	
	Device ID Width 8	Device ID Width 16
ackID[5:0]	[127:122]	[127:122]
VC	[121]	[121]
CRF	[120]	[120]
prio[1:0]	[119:118]	[119:118]
tt[1:0]	[117:116]	[117:116]
ftype[3:0]	[115:112]	[115:112]
destinationID[<deviceIDwidth>-1:0]	[111:104]	[111:96]
sourceID[<deviceIDwidth>-1:0]	[103:96]	[95:80]
specific_header	[95:...]	[79:...]

Table 34. specific_header Format on gen_tx_data Bus

ftype	Field	gen_tx_data Bits	
		Device ID Width 8	Device ID Width 16
2, 5	ttype[3:0]	[95:92]	[79:76]
	size[3:0]	[91:88]	[75:72]
	transactionID[7:0]	[87:80]	[71:64]
	address[28:0]	[79:51]	[63:35]
	wdptr	[50]	[34]
	xamsbs[1:0]	[49:48]	[33:32]
6	address[28:0]	[95:67]	[79:51]
	Reserved	[66]	[50]
	xamsbs[1:0]	[65:64]	[49:48]
7	XON/XOFF	[95]	[79]
	FAM[2:0]	[94:92]	[78:76]
	Reserved[3:0]	[91:88]	[75:72]
	flowID[6:0]	[87:81]	[71:65]
	soc	[80]	[64]
8 ⁽²⁴⁾	ttype[3:0]	[95:92]	[79:76]
	size[3:0]	[91:88]	[75:72]
	transactionID[7:0]	[87:80]	[71:64]

continued...

⁽²⁴⁾ In MAINTENANCE response packets, which have ftype value 8, replace the config_offset and wdptr fields with additional reserved bits.



ftype	Field	gen_tx_data Bits	
		Device ID Width 8	Device ID Width 16
	hop_count[7:0]	[79:72]	[63:56]
	config_offset[20:0]	[71:51]	[55:35]
	wdptr	[50]	[34]
	Reserved[1:0]	[49:48]	[33:32]
9 single segment and start	cos[7:0]	[95:88]	[79:72]
	S	[87]	[71]
	E	[86]	[70]
	Reserved[2:0]	[85:83]	[69:67]
	xh	[82]	[66]
	O	[81]	[65]
	P	[80]	[64]
streamID[15:0]	[79:64]	[63:48]	
9 continuation	cos[7:0]	[95:88]	[79:72]
	S	[87]	[71]
	E	[86]	[70]
	Reserved[2:0]	[85:83]	[69:67]
	xh	[82]	[66]
	O	[81]	[65]
	P	[80]	[64]
9 end	cos[7:0]	[95:88]	[79:72]
	S	[87]	[71]
	E	[86]	[70]
	Reserved[2:0]	[85:83]	
	xh	[82][69:67]	[66]
	O	[69:67][81]	[65]
	P	[80]	[64]
	length[15:0]	[79:64]	[63:48]
9 extended packet	cos[7:0]	[95:88]	[79:72]
	Reserved[1:0]	[87:86]	[71:70]
	xtype[2:0]	[85:83]	[69:67]
	xh	[82]	[66]
	Reserved[1:0]	[81:80]	[65:64]
	streamID[15:0]	[79:64]	[63:48]

continued...



ftype	Field	gen_tx_data Bits	
		Device ID Width 8	Device ID Width 16
	TM_OP[3:0]	[63:60]	[47:44]
	Reserved	[59]	[43]
	wildcard[2:0]	[58:56]	[42:40]
	mask[7:0]	[55:48]	[39:32]
	parameter1[7:0]	[47:40]	[31:24]
	parameter2[7:0]	[39:32]	[23:16]
10	Reserved[7:0]	[95:88]	[79:72]
	transactionID[7:0]	[87:80]	[71:64]
	info[15:0]	[79:64]	[63:48]
11	msglen[3:0]	[95:92]	[79:76]
	ssize[3:0]	[91:88]	[75:72]
	letter[1:0]	[87:86]	[71:70]
	mbox[1:0]	[85:84]	[69:68]
	msgseg[3:0] or xmbx[3:0]	[83:80]	[67:64]
13	ttype[3:0]	[95:92]	[79:76]
	size[3:0]	[91:88]	[75:72]
	transactionID[7:0]	[87:80]	[71:64]

Table 35. Avalon-ST Pass-Through Interface Receive Side (Avalon-ST Source) Data Signals

Following are the Avalon-ST pass-through interface receive side payload data signals. The application should sample payload data only when both `gen_rx_pd_ready` and `gen_rx_pd_valid` are asserted.

Signal Name	Type	Function
<code>gen_rx_pd_ready</code>	Input	Indicates to the IP core that the user's custom logic is ready to receive data on the current cycle. Asserted by the sink to mark ready cycles, which are cycles in which transfers can occur. If ready is asserted on cycle N, the cycle (N + <code>READY_LATENCY</code>) is a ready cycle. The RapidIO II IP core is designed for <code>READY_LATENCY</code> equal to 0.
<code>gen_rx_pd_valid</code>	Output	Used to qualify all the other output signals of the receive side pass-through interface. On every rising edge of the clock during which <code>gen_rx_pd_valid</code> is high, <code>gen_rx_pd_data</code> can be sampled.
<code>gen_rx_pd_startofpacket</code>	Output	Marks the active cycle containing the start of the packet.
<code>gen_rx_pd_endofpacket</code>	Output	Marks the active cycle containing the end of the packet.
<code>gen_rx_pd_data[127:0]</code>	Output	A 128-bit wide data bus for data payload.
<code>gen_rx_pd_empty[3:0]</code>	Output	This bus identifies the number of empty two-byte segments on the 128-bit wide <code>gen_rx_pd_data</code> bus on the final data transfer of the packet, which occurs during the clock cycle when <code>gen_tx_endofpacket</code> is asserted. This signal is 4 bits wide.



Table 36. Avalon-ST Pass-Through Interface Receive Side (Avalon-ST Source) Header Signals

Following are the Avalon-ST pass-through interface receive side header signals. The application should sample header data only when both `gen_rx_hd_ready` and `gen_rx_hd_valid` are asserted.

Signal Name	Type	Function
<code>gen_rx_hd_ready</code>	Input	Indicates to the IP core that the user's custom logic is ready to receive packet header bits on the current clock cycle. Asserted by the sink to mark ready cycles, which are cycles in which transfers can occur. If ready is asserted on cycle N, the cycle (N+READY_LATENCY) is a ready cycle. The RapidIO II IP core is designed for READY_LATENCY equal to 0.
<code>gen_rx_hd_valid</code>	Output	Used to qualify the receive side pass-through interface output header bus. On every rising edge of the clock during which <code>gen_rx_hd_valid</code> is high, <code>gen_rx_hd_data</code> can be sampled.
<code>gen_rx_hd_data[114:0]</code>	Output	A 115-bit wide bus for packet header bits. Data on this bus is valid only when <code>gen_rx_hd_valid</code> is high.

Table 37. RapidIO Header Fields in `gen_rx_hd_data` Bus

Field	<code>gen_rx_hd_data</code> Bits	Comment
<code>pd_size[8:0]</code>	[114:106]	Size of payload data, in bytes.
VC	[105]	Value = 0. The RapidIO II IP core supports only VC0.
CRF	[104]	This bit sets packet priority together with <code>prio</code> if CRF is supported. This bit is reserved if VC=0 and CRF is not supported.
<code>prio[1:0]</code>	[103:102]	Specifies packet priority.
<code>tt[1:0]</code>	[101:100]	Transport type. The value of 0 indicates 8-bit device IDs and value of 1 indicates 16-bit device IDs.
<code>ftype[3:0]</code>	[99:96]	Format type. Represented as a 4-bit value.
<code>destinationID[15:0]</code>	[95:80]	For packets with an 8-bit device ID, bits [95:88] (bits [15:8] of the <code>destinationID</code>) are set to 8'h00.
<code>sourceID[15:0]</code>	[79:64]	When <code>ftype[3:0]</code> has the value of 7, this field is used as the <code>tgtDestinationID</code> field. For packets with an 8-bit device ID, bits [79:72] (bits [15:8] of the <code>sourceID</code>) are set to 8'h00.
<code>specific_header[63:0]</code>	[63:0]	Fields depend on the format type specified in <code>ftype</code> .

Table 38. `specific_header` Fields on `gen_rx_hd_data` Bus

<code>ftype</code>	Field	<code>specific_header</code> Bits
2, 5	<code>ttype[3:0]</code>	[63:60]
	<code>size[3:0]</code>	[59:56]
	<code>transactionID[7:0]</code>	[55:48]
	<code>address[28:0]</code>	[47:19]
	<code>wdptr</code>	[18]
	<code>xamsbs[1:0]</code>	[17:16]
	Reserved[15:0]	[15:0]

continued...



ftype	Field	specific_header Bits
6	address[28:0]	[63:35]
	Reserved	[34]
	xamsbs[1:0]	[33:32]
	Reserved[31:0]	[31:0]
7	XON/XOFF	[63]
	FAM[2:0]	[62:60]
	Reserved[3:0]	[59:56]
	flowID[6:0]	[55:49]
	soc	[48]
	Reserved[47:0]	[47:0]
8	ttype[3:0]	[63:60]
	status[3:0] or size[3:0]	[59:56]
	transactionID[7:0]	[55:48]
	hop_count[7:0]	[47:40]
	config_offset[20:0]	[39:19]
	wdptr	[18]
	Reserved[17:0]	[17:0]
9	cos[7:0]	[63:56]
	S	[55]
	E	[54]
	xtype[2:0]	[53:51]
	xh	[50]
	O	[49]
	P	[48]
	streamID[15:0]	[47:32]
	TM_OP[3:0]	[31:28]
	reserve	[27]
	wildcard[2:0]	[26:24]
	mask[7:0]	[23:16]
	parameter1[7:0]	[15:8]
	parameter2[7:0]	[7:0]
10	ttype[3:0]	[63:60]
	status[3:0]	[59:56]
	transactionID[7:0]	[55:48]

continued...



ftype	Field	specific_header Bits
	info_msb[7:0]	[47:40]
	info_lsb[7:0]	[39:32]
	crc[15:0]	[31:16]
	Reserved[15:0]	[15:0]
11	msglen[3:0]	[63:60]
	ssize[3:0]	[59:56]
	letter[1:0]	[55:54]
	mbox[1:0]	[53:52]
	msgseg[3:0] or xmbox[3:0]	[51:48]
	Reserved[47:0]	[47:0]
13	ttype[3:0]	[63:60]
	status[3:0]	[59:56]
	transactionID[7:0] or target_info[7:0]	[55:48]
	Reserved[47:0]	[47:0]

4.3.5.3. Pass-Through Interface Usage Examples

Following are the examples of communication on the RapidIO II IP core Avalon-ST pass-through interface:

- User Sending Write Request
- User Receiving Write Request
- User Sending Read Request and Receiving Read Response
- User Receiving Read Request and Sending Read Response
- User Sending Streaming Write Request
- User Receiving Streaming Write Request

4.3.5.3.1. User Sending Write Request

Table 39. Avalon-ST Pass-Through Interface Usage Example: Sending Write Request

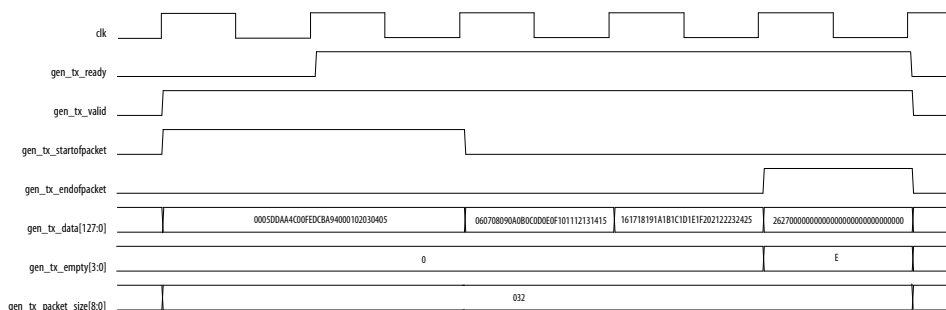
User Operation	Operation Type	RapidIO Transaction	Priority	Device ID Width	Payload Size (Bytes)
Send write request	Tx	NWRITE	0	8	40

In the first clock cycle of the example, the IP core asserts `gen_tx_ready` to indicate it is ready to sample data. In the same cycle, user logic asserts `gen_tx_valid`. Because both `gen_tx_ready` and `gen_tx_valid` are asserted, this clock cycle is an Avalon-ST ready cycle. The user logic provides valid data on `gen_tx_data` for the IP core to sample, and asserts `gen_tx_startofpacket` to indicate the current value of `gen_tx_data` is the initial piece of the current packet (the start of packet). On



gen_tx_packet_size, user logic reports the full length of the packet is 0x32, which is decimal 50, because the packet comprises 10 bytes of header and 40 bytes of payload data.

Figure 30. Avalon-ST Pass-Through Interface NWRITE Transmit Example



The user logic provides the 40-byte payload and 10-byte header on the same bus, gen_tx_data[127:0]. Transferring these 50 bytes of information requires four clock cycles. During all of these cycles, the IP core holds gen_tx_ready high and user logic holds gen_tx_valid high, indicating the cycles are all Avalon-ST ready cycles. In the second and third cycles, user logic holds gen_tx_startofpacket and gen_tx_endofpacket low, because the information on gen_tx_data is neither start of packet nor end of packet data. In the fourth clock cycle, user logic asserts gen_tx_endofpacket and sets gen_tx_empty to the value of 0xE to indicate that only two of the bytes of data available on gen_tx_data in the current clock cycle are valid. The initial ten bytes of the packet contain header information.

Table 40. NWRITE Request Transmit Example: RapidIO Header Fields on the gen_tx_data Bus

Field	gen_tx_data Bits	Value	Comment
ackID	[127:122]	6'h00	Value is a don't care, because it is overwritten by the Physical layer ackID value before the packet is transmitted on the RapidIO link.
VC	[121]	0	The RapidIO II IP core supports only VC0.
CRF	[120]	0	This bit sets packet priority together with prio if CRF is supported. This bit is reserved if VC=0 and CRF is not supported.
prio[1:0]	[119:118]	2'b00	Specifies packet priority.
tt[1:0]	[117:116]	2'b00	The value of 0 indicates 8-bit device IDs.
ftype[3:0]	[115:112]	4'b0101	The value of 5 indicates a Write Class packet.
destinationId[7:0]	[111:104]	8'hDD	Indicates the ID of the target.
sourceId[7:0]	[103:96]	8'hAA	Indicates the ID of the source.
ttype[3:0]	[95:92]	4'b0100	The value of 4 indicates an NWRITE transaction.
size[3:0]	[91:88]	4'b1100	The size and wdptr values encode the maximum size of the payload field.

continued...

Field	gen_tx_data Bits	Value	Comment
transactionID[7:0]	[87:80]	8'h00	Not used for NWRITE transactions.
address[28:0]	[79:51]	{28'hFEDCBA9, 1'b0}	
wdptr	[50]	1	The size and wdptr values encode the maximum size of the payload field.
xamsbs[1:0]	[49:48]	2'b00	Specifies most significant bits of extended address. Further extends the address specified by the address fields by 2 bits.

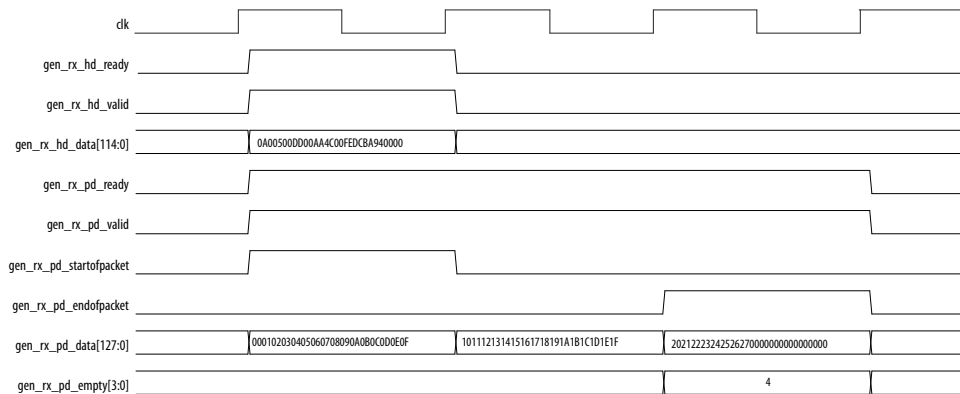
4.3.5.3.2. User Receiving Write Request

Table 41. Avalon-ST Pass-Through Interface Usage Example: Receive NWRITE Request

User Operation	Operation Type	RapidIO Transaction	Priority	Device ID Width	Payload Size (Bytes)
Receive write request	Rx	NWRITE	0	8	40

In the first clock cycle of the example, user logic asserts `gen_rx_hd_ready` and `gen_rx_pd_ready`, and the IP core asserts `gen_rx_hd_valid` and `gen_rx_pd_valid`, indicating it is providing valid data on `gen_rx_hd_data` and `gen_rx_pd_data`, respectively. The assertion of both the ready signal and the valid signal on each of the header and payload-data Avalon-ST interfaces makes the current cycle an Avalon-ST ready cycle for both header and data.

Figure 31. Avalon-ST Pass-Through Interface NWRITE Receive Example



The IP core asserts `gen_rx_pd_startofpacket` to indicate the current cycle is the first valid data cycle of the packet. In this clock cycle, the IP core also makes the header and the first 128 bits of payload data available on `gen_rx_hd_data` and `gen_rx_pd_data`, respectively. The 40-byte payload requires 3 clock cycles. In the third clock cycle of data transfer, the IP core asserts `gen_rx_pd_endofpacket` to indicate this is the final clock cycle of data transfer, and specifies in `gen_rx_pd_empty` that in the current clock cycle, the four least significant two-byte segments (the least significant eight bytes) of `gen_rx_pd_data` are not valid. Following the clock cycles in which valid data is available on `gen_rx_pd_data`, the IP core deasserts `gen_rx_pd_valid`.



Table 42. NWRITE Request Receive Example: RapidIO Header Fields in gen_rx_hd_data Bus

Field	gen_rx_hd_data Bits	Value	Comment
pd_size[8:0]	[114:106]	9'h028	Payload data size is 0x28 (decimal 40).
VC	[105]	0	The RapidIO II IP core supports only VC0.
CRF	[104]	0	This bit sets packet priority together with prio if CRF is supported. This bit is reserved if VC=0 and CRF is not supported.
prio[1:0]	[103:102]	2'b00	Specifies packet priority.
tt[1:0]	[101:100]	2'b00	The value of 0 indicates 8-bit device IDs.
fctype[3:0]	[99:96]	4'b0101	The value of 5 indicates a Write Class packet.
destinationId[15:0]	[95:80]	16'h00DD	For variations with an 8-bit device ID, bits [95:88] (bits [15:8] of the destinationID) are set to 8'h00.
sourceId[15:0]	[79:64]	16'h00AA	For variations with an 8-bit device ID, bits [79:72] (bits [15:8] of the sourceID) are set to 8'h00.
ttype[3:0]	[63:60]	4'b0100	The value of 4 indicates an NWRITE transaction.
size[3:0]	[59:56]	4'b1100	The size and wdptr values encode the maximum size of the payload field. In this example, they decode to a value of 64 bytes.
transactionID[7:0]	[55:48]	8'h00	Not used for NWRITE transactions.
address[28:0]	[47:19]	{28'hFEDCBA9, 1'b0}	
wdptr	[18]	1	The size and wdptr values encode the maximum size of the payload field.
xamsbs[1:0]	[17:16]	2'b00	Specifies most significant bits of extended address. Further extends the address specified by the address fields by 2 bits.
Reserved[15:0]	[15:0]	16'h0000	

4.3.5.3.3. User Sending Read Request and Receiving Read Response

Table 43. Avalon-ST Pass-Through Interface Usage Example: Sending Read Request and Receiving Response

User Operation	Operation Type	RapidIO Transaction	Priority	Device ID Width	Payload Size (Bytes)
Send read request	Tx	NREAD	1	16	32
Receive read response	Rx	Response with payload	2	16	32

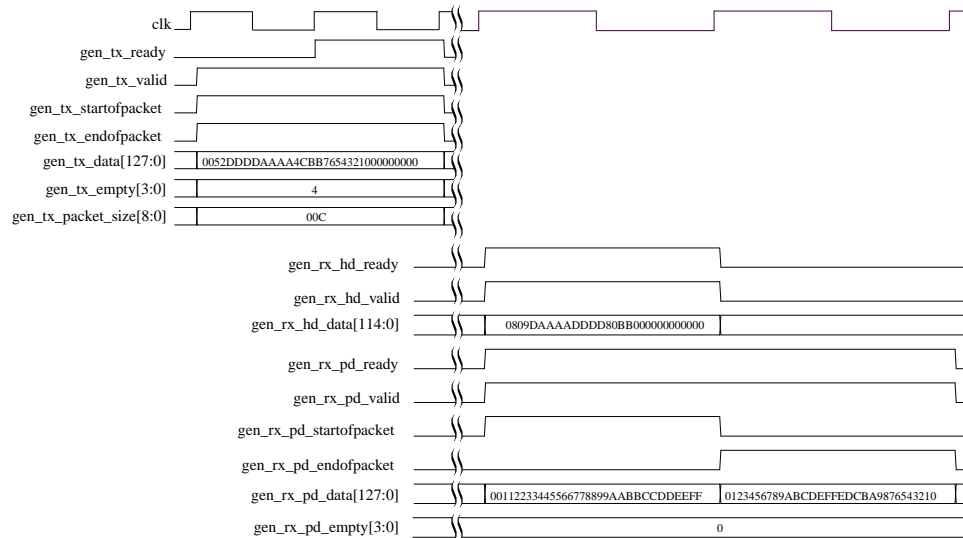
The behavior of the signals on the Avalon-ST pass-through interface for this example transaction sequence is described in

- NREAD Request Transaction
- NREAD Response Transaction

NREAD Request Transaction

In the first clock cycle of the example, the IP core asserts `gen_tx_ready` to indicate it is ready to sample data. In the same cycle, user logic asserts `gen_tx_valid`. Because both `gen_tx_ready` and `gen_tx_valid` are asserted, this clock cycle is an Avalon-ST ready cycle. The user logic provides valid data on `gen_tx_data` for the IP core to sample, and asserts `gen_tx_startofpacket` to indicate the current value of `gen_tx_data` is the initial piece of the current packet (the start of packet). On `gen_tx_packet_size`, user logic reports the full length of the packet is `0xC`, which is decimal 12, because the packet comprises 12 bytes of header.

Figure 32. Avalon-ST Pass-Through Interface NREAD Request Send and Response Receive Example



The NREAD request transaction contains no payload data. The NREAD request requires a single clock cycle. During this clock cycle, user logic asserts `gen_tx_endofpacket` and reports on `gen_tx_empty` that the number of empty bytes is 4. The initial 12 bytes of the NREAD request packet contain header information.

Table 44. NREAD Request Transmit Example: RapidIO Header Fields on the `gen_tx_data` Bus

Field	<code>gen_tx_data</code> Bits	Value	Comment
ackID	[127:122]	6'h00	Value is a don't care, because it is overwritten by the Physical layer <code>ackID</code> value before the packet is transmitted on the RapidIO link.
VC	[121]	0	The RapidIO II IP core supports only VC0.
CRF	[120]	0	This bit sets packet priority together with <code>prio</code> when CRF is supported. This bit is reserved when VC=0 and CRF is not supported.
<code>prio</code> [1:0]	[119:118]	2'b01	Specifies packet priority.
<code>tt</code> [1:0]	[117:116]	2'b01	The value of 1 indicates 16-bit device IDs.
<code>ftype</code> [3:0]	[115:112]	4'b0010	The value of 2 indicates a Request Class packet.

continued...

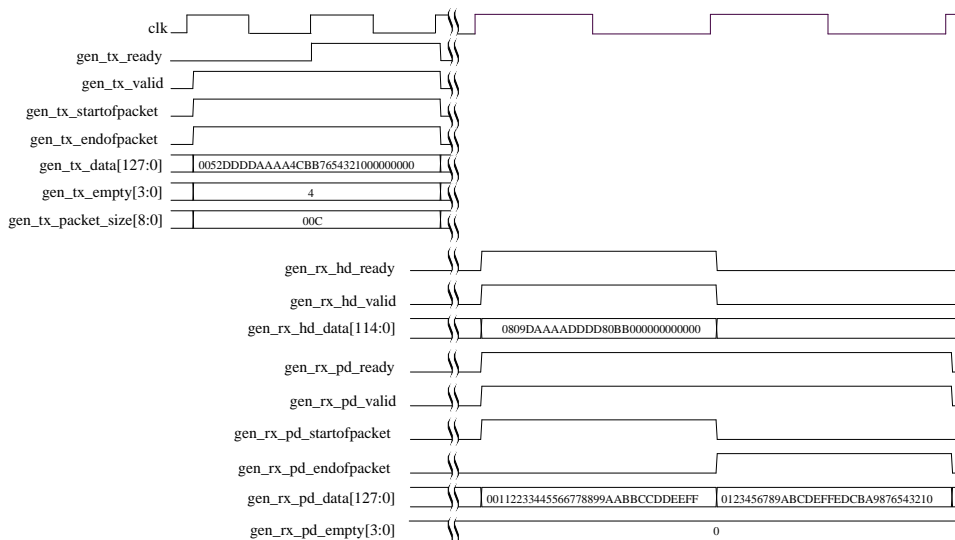


Field	gen_tx_data Bits	Value	Comment
destinationId[15:0]	[111:96]	16'hDDDD	The value indicates the ID of the target.
sourceId[15:0]	[95:80]	16'hAAAA	The value indicates the ID of the source.
ttype[3:0]	[79:76]	4'b0100	The value of 4 indicates an NREAD transaction.
size[3:0]	[75:72]	4'b1100	The size and wdptr values encode the maximum size of the payload field. In this example, they decode to a value of 32 bytes.
transactionID[7:0]	[71:64]	8'hBB	Not used for NWRITE transactions.
address[28:0]	[63:35]	{28'h7654321, 1'b0}	
wdptr	[34]	1	The size and wdptr values encode the maximum size of the payload field.
xamsbs[1:0]	[33:32]	2'b00	Specifies extended address most significant bits. Further extends the address specified by the address fields by 2 bits.

NREAD Response Transaction

In the first clock cycle of the NREAD response on the Avalon-ST pass-through interface, user logic asserts `gen_rx_hd_ready` and `gen_rx_pd_ready`, and the IP core asserts `gen_rx_hd_valid` and `gen_rx_pd_valid`, indicating it is providing valid data on `gen_rx_hd_data` and `gen_rx_pd_data`, respectively. The assertion of both the ready signal and the valid signal on each of the header and payload-data Avalon-ST interfaces makes the current cycle an Avalon-ST ready cycle for both header and data.

Figure 33. Avalon-ST Pass-Through Interface NREAD Request Send and Response Receive Example



The IP core asserts `gen_rx_pd_startofpacket` to indicate the current cycle is the first valid data cycle of the packet. In this clock cycle, the IP core also makes the header and the first 128 bits of payload data available on `gen_rx_hd_data` and



gen_rx_pd_data, respectively. The 32-byte payload requires two clock cycles. In the second clock cycle of data transfer, the IP core asserts gen_rx_pd_endofpacket to indicate this is the final clock cycle of data transfer, and specifies in gen_rx_pd_empty that in the current clock cycle, all of the bytes of gen_rx_pd_data are valid. Following the clock cycles in which valid data is available on gen_rx_pd_data, the IP core deasserts gen_rx_pd_valid.

Table 45. NREAD Response Receive Example: RapidIO Header Fields in gen_rx_hd_data Bus

Field	gen_rx_hd_data Bits	Value	Comment
pd_size[8:0]	[114:106]	9'h020	Payload data size is 0x20 (decimal 32).
VC	[105]	0	The RapidIO II IP core supports only VC0.
CRF	[104]	0	This bit sets packet priority together with prio when CRF is supported. This bit is reserved when VC=0 and CRF is not supported.
prio[1:0]	[103:102]	2'b10	Priority of the response packet. Value must be higher than the priority value of the request packet. In this example, the response packet has a priority value of 2'b10 and the original request has a priority value of 2'b01.
tt[1:0]	[101:100]	2'b01	Indicates 16-bit device IDs..
ftype[3:0]	[99:96]	4'b1101	The value of 4'hD (decimal 13) indicates a Response Class packet..
destinationId[15:0]	[95:80]	16'hAAAA	The destinationID of the NREAD request are swapped in the response transaction.
sourceId[15:0]	[79:64]	16'h0DDDD	The sourceID of the NREAD request are swapped in the response transaction.
ttype[3:0]	[63:60]	4'b1000	The value of 8 indicates a Response transaction with data payload.
status[3:0]	[59:56]	4'b0000	The value of 0 indicates Done. The current packet successfully completes the requested transaction.
transactionID[7:0]	[55:48]	8'hBB	Value in the response packet matches the transactionID of the corresponding request packet.
Reserved[47:0]	[47:0]	48'h0	

4.3.5.3.4. User Receiving Read Request and Sending Read Response

Table 46. Avalon-ST Pass-Through Interface Usage Example: Receiving NREAD Request and Sending Response

User Operation	Operation Type	RapidIO Transaction	Priority	Device ID Width	Payload Size (Bytes)
Receive read request	Rx	NREAD	1	16	32
Send read response	Tx	Response with payload	2	16	32

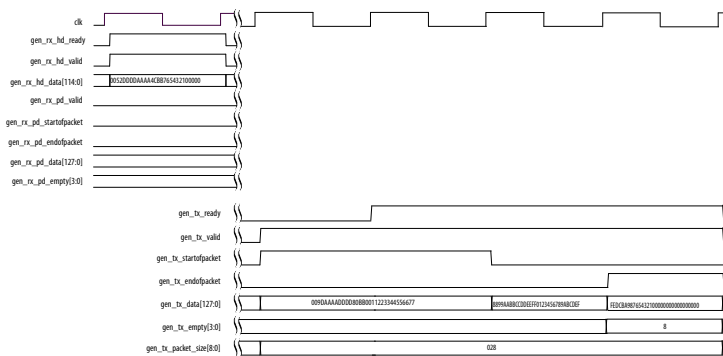
The behavior of the signals on the Avalon-ST pass-through interface for this example transaction sequence is described in

- NREAD Request Transaction
- NREAD Response Transaction

NREAD Request Transaction

The NREAD request requires a single clock cycle. During this cycle, user logic asserts `gen_rx_hd_ready` to indicate it is ready to sample data. In the same cycle, the IP core asserts `gen_rx_hd_valid`. Because both `gen_rx_hd_ready` and `gen_rx_hd_valid` are asserted, the current cycle is an Avalon-ST ready cycle on the header Avalon-ST interface. The IP core provides valid header information on `gen_rx_hd_data` for the user logic to sample.

Figure 34. Avalon-ST Pass-Through Interface NREAD Request Receive and Response Send Example



The IP core does not assert `gen_rx_pd_valid`, because the NREAD request transaction contains no payload data.

Table 47. NREAD Request Receive Example: RapidIO Header Fields in `gen_rx_hd_data` Bus

Field	<code>gen_rx_hd_data</code> Bits	Value	Comment
<code>pd_size[8:0]</code>	[114:106]	9'h000	An NREAD request transaction has no payload data.
VC	[105]	0	The RapidIO II IP core supports only VC0.
CRF	[104]	0	This bit sets packet priority together with <code>prio</code> if CRF is supported. This bit is reserved if VC=0 and CRF is not supported.
<code>prio[1:0]</code>	[103:102]	2'b01	Specifies packet priority.
<code>tt[1:0]</code>	[101:100]	2'b01	The value of 1 indicates 16-bit device IDs.
<code>fctype[3:0]</code>	[99:96]	4'b0010	The value of 2 indicates a Request Class packet.
<code>destinationId[15:0]</code>	[95:80]	16'h00DD	Indicates the ID of the target.
<code>sourceId[15:0]</code>	[79:64]	16'h00AA	Indicates the ID of the source.
<code>ttype[3:0]</code>	[63:60]	4'b0100	The value of 4 indicates an NREAD transaction.
<code>size[3:0]</code>	[59:56]	4'b1100	The <code>size</code> and <code>wdptr</code> values encode the maximum size of the payload field. In this example, they decode to a value of 32 bytes.

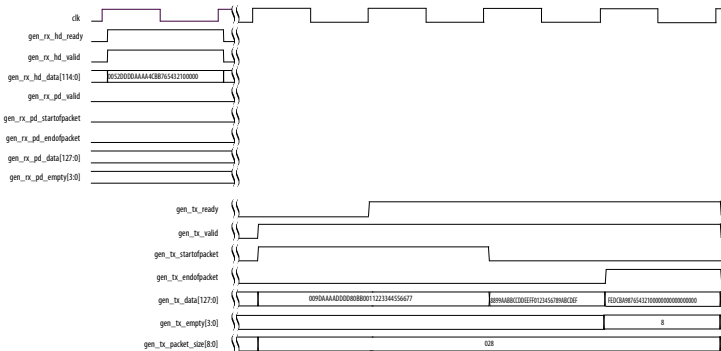
continued...

Field	gen_rx_hd_data Bits	Value	Comment
transactionID[7:0]	[55:48]	8'hBB	Value in the response packet matches the transactionID of the corresponding request packet.
address[28:0]	[47:19]	{28'h7654321, 1'b0}	
wdptr	[18]	0	The size and wdptr values encode the maximum size of the payload field.
xamsbs[1:0]	[17:16]	2'b00	Specifies most significant bits of extended address. Further extends the address specified by the address fields by 2 bits.
Reserved[15:0]	[15:0]	16'h0000	

NREAD Response Transaction

In the first clock cycle of the NREAD response on the Avalon-ST pass-through interface, the IP core asserts `gen_tx_ready` to indicate it is ready to sample data. In the same cycle, user logic asserts `gen_tx_valid`. Because both `gen_tx_ready` and `gen_tx_valid` are asserted, this clock cycle is an Avalon-ST ready cycle. The user logic provides valid data on `gen_tx_data` for the IP core to sample, and asserts `gen_tx_startofpacket` to indicate the current value of `gen_tx_data` is the initial piece of the current packet (the start of packet). On `gen_tx_packet_size`, user logic reports the full length of the packet is 0x28, which is decimal 40, because the packet comprises eight bytes of header and 32 bytes of payload data.

Figure 35. Avalon-ST Pass-Through Interface NREAD Request Receive and Response Send Example



The user logic provides the 32-byte payload and 8-byte header on the same bus, `gen_tx_data[127:0]`. Transferring these 40 bytes of information requires three clock cycles. During all of these cycles, the IP core holds `gen_tx_ready` high and user logic holds `gen_tx_valid` high, indicating the cycles are all Avalon-ST ready cycles. In the second cycle, user logic holds `gen_tx_startofpacket` and `gen_tx_endofpacket` low, because the information on `gen_tx_data` is neither start of packet nor end of packet data. In the third clock cycle, user logic asserts `gen_tx_endofpacket` and sets `gen_tx_empty` to the value of 0x8 to indicate that eight bytes of the data in the current clock cycle are invalid — in other words, only the initial eight (sixteen minus eight) bytes of data available on `gen_tx_data` in the current clock cycle are valid. The initial eight bytes of the NREAD response packet contain header information.


Table 48. NREAD Response Transmit Example: RapidIO Header Fields on the gen_tx_data Bus

Field	gen_tx_data Bits	Value	Comment
ackID	[127:122]	6'h00	Value is a don't care, because it is overwritten by the Physical layer ackID value before the packet is transmitted on the RapidIO link.
VC	[121]	0	The RapidIO II IP core supports only VC0.
CRF	[120]	0	This bit sets packet priority together with prio if CRF is supported. This bit is reserved if VC=0 and CRF is not supported.
prio[1:0]	[119:118]	2'b10	Priority of the response packet. Value must be higher than the priority value of the request packet. In this example, the response packet has a priority value of 2'b10 and the original request has a priority value of 2'b01.
tt[1:0]	[117:116]	2'b01	The value of 1 indicates 16-bit device IDs.
fctype[3:0]	[115:112]	4'b1101	The value of 4'hD (decimal 13) indicates a Response Class packet.
destinationId[15:0]	[111:96]	16'hDDDD	The destinationID of the NREAD request are swapped in the response transaction.
sourceId[15:0]	[95:80]	16'hAAAA	The sourceID of the NREAD request are swapped in the response transaction.
ttype[3:0]	[79:76]	4'b1000	The value of 8 indicates a Response transaction with data payload.
status[3:0]	[75:72]	4'b0000	The value of 0 indicates Done. The current packet successfully completes the requested transaction.
transactionID[7:0]	[71:64]	8'hBB	Value in the response packet matches the transactionID of the corresponding request packet.

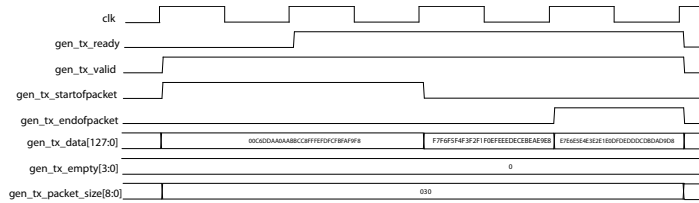
4.3.5.3.5. User Sending Streaming Write Request

Table 49. Avalon-ST Pass-Through Interface Usage Example: Send SWRITE Request

User Operation	Operation Type	RapidIO Transaction	Priority	Device ID Width	Payload Size (Bytes)
Send streaming write request	Tx	SWRITE	3	8	40

In the first clock cycle of the example, the IP core asserts `gen_tx_ready` to indicate it is ready to sample data. In the same cycle, user logic asserts `gen_tx_valid`. Because both `gen_tx_ready` and `gen_tx_valid` are asserted, this clock cycle is an Avalon-ST ready cycle. The user logic provides valid data on `gen_tx_data` for the IP core to sample, and asserts `gen_tx_startofpacket` to indicate the current value of `gen_tx_data` is the initial piece of the current packet (the start of packet). On `gen_tx_packet_size`, user logic reports the full length of the packet is 0x30, which is decimal 48, because the packet comprises eight bytes of header and 40 bytes of payload data.

Figure 36. Avalon-ST Pass-Through Interface SWRITE Transmit Example



The user logic provides the 40-byte payload and 8-byte header on the same bus, `gen_tx_data[127:0]`. Transferring these 48 bytes of information requires three clock cycles. During all of these cycles, the IP core holds `gen_tx_ready` high and user logic holds `gen_tx_valid` high, indicating the cycles are all Avalon-ST ready cycles. In the second cycle, user logic holds `gen_tx_startofpacket` and `gen_tx_endofpacket` low, because the information on `gen_tx_data` is neither start of packet nor end of packet data. In the third clock cycle, user logic asserts `gen_tx_endofpacket` and sets `gen_tx_empty` to the value of 0x0 to indicate that all of the bytes of data available on `gen_tx_data` in the current clock cycle are valid.

In this example, the IP core does not deassert `gen_tx_ready` following the three ready cycles, indicating that it is ready to accept an additional transaction whenever user logic is ready to send an additional transaction. Whether or not the IP core deasserts `gen_tx_ready` following the three Avalon-ST ready cycles, the next cycle is not a ready cycle, because user logic has deasserted `gen_tx_valid`. The initial eight bytes of the packet contain header information.

Table 50. SWRITE Request Transmit Example: RapidIO Header Fields on the `gen_tx_data` Bus

Field	<code>gen_tx_data</code> Bits	Value	Comment
ackID	[127:122]	6'h00	Value is a don't care, because it is overwritten by the Physical layer <code>ackID</code> value before the packet is transmitted on the RapidIO link.
VC	[121]	0	The RapidIO II IP core supports only VC0.
CRF	[120]	0	This bit sets packet priority together with <code>prio</code> if CRF is supported. This bit is reserved if VC=0 and CRF is not supported.
<code>prio[1:0]</code>	[119:118]	2'b11	Specifies packet priority.
<code>tt[1:0]</code>	[117:116]	2'b00	The value of 0 indicates 8-bit device IDs.
<code>fctype[3:0]</code>	[115:112]	4'b0110	The value of 6 indicates a Streaming-Write Class packet.
<code>destinationId[7:0]</code>	[111:104]	8'hDD	Indicates the ID of the target.
<code>sourceId[7:0]</code>	[103:96]	8'hAA	Indicates the ID of the source.
<code>address[28:0]</code>	[95:67]	{28'h0AABBCC, 1'b1}	
<code>wdptr</code>	[66]	1	Not used for SWRITE transactions.
<code>xamsbs[1:0]</code>	[65:64]	2'b00	Specifies most significant bits of extended address. Further extends the address specified by the address fields by 2 bits.



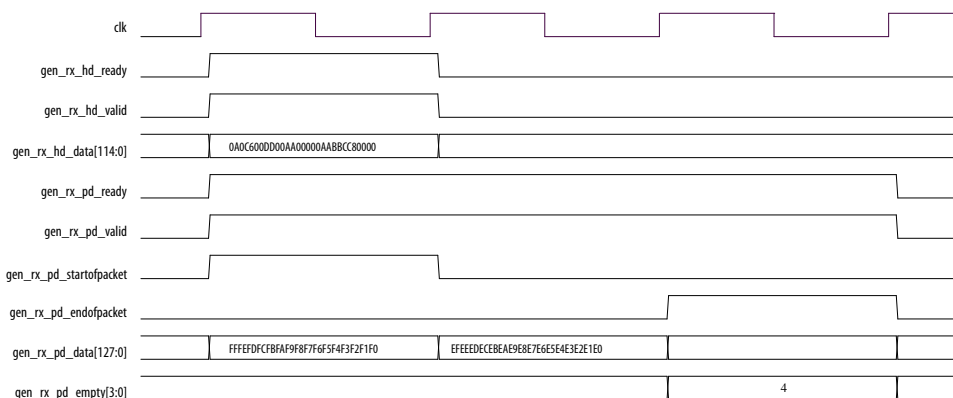
4.3.5.3.6. User Receiving Streaming Write Request

Table 51. Avalon-ST Pass-Through Interface Usage Example: Receive SWRITE Request

User Operation	Operation Type	RapidIO Transaction	Priority	Device ID Width	Payload Size (Bytes)
Receive streaming write request	Rx	SWRITE	3	8	40

In the first clock cycle of the example, user logic asserts `gen_rx_hd_ready` and `gen_rx_pd_ready`, and the IP core asserts `gen_rx_hd_valid` and `gen_rx_pd_valid`, indicating it is providing valid data on `gen_rx_hd_data` and `gen_rx_pd_data`, respectively. The assertion of both the ready signal and the valid signal on each of the header and payload-data Avalon-ST interfaces makes the current cycle an Avalon-ST ready cycle for both header and data.

Figure 37. Avalon-ST Pass-Through Interface SWRITE Receive Example



The IP core asserts `gen_rx_pd_startofpacket` to indicate the current cycle is the first valid data cycle of the packet. In this clock cycle, the IP core also makes the header and the first 128 bits of payload data available on `gen_rx_hd_data` and `gen_rx_pd_data`, respectively. The 40-byte payload requires 3 clock cycles. In the third clock cycle of data transfer, the IP core asserts `gen_rx_pd_endofpacket` to indicate this is the final clock cycle of data transfer, and specifies in `gen_rx_pd_empty` that in the current clock cycle, the four least significant two-byte segments (the least significant eight bytes) of `gen_rx_pd_data` are not valid. Following the clock cycles in which valid data is available on `gen_rx_pd_data`, the IP core deasserts `gen_rx_pd_valid`.

Table 52. SWRITE Request Receive Example: RapidIO Header Fields in `gen_rx_hd_data` Bus

Field	<code>gen_rx_hd_data</code> Bits	Value	Comment
<code>pd_size[8:0]</code>	[114:106]	9'h028	Payload data size is 0x28 (decimal 40).
VC	[105]	0	The RapidIO II IP core supports only VC0.
CRF	[104]	0	This bit sets packet priority together with <code>prio</code> if CRF is supported. This bit is reserved if VC=0 and CRF is not supported.

continued...



Field	gen_rx_hd_data Bits	Value	Comment
prio[1:0]	[103:102]	2'b11	Specifies packet priority.
tt[1:0]	[101:100]	2'b00	The value of 0 indicates 8-bit device IDs.
ftype[3:0]	[99:96]	4'b0110	The value of 6 indicates a Streaming-Write Class packet.
destinationId[15:0]	[95:80]	16'h00DD	For variations with an 8-bit device ID, bits [95:88] (bits [15:8] of the destinationID) are set to 8'h00.
sourceId[15:0]	[79:64]	16'h00AA	For variations with an 8-bit device ID, bits [79:72] (bits [15:8] of the sourceID) are set to 8'h00.
address[28:0]	[63:35]	{28'h0AABBCC, 1'b1}	
Reserved	[34]	1'b0	
xamsbs[1:0]	[33:32]	2'b00	Specifies most significant bits of extended address. Further extends the address specified by the address fields by 2 bits.
Reserved[31:0]	[31:0]	32'h00000000	

4.4. Transport Layer

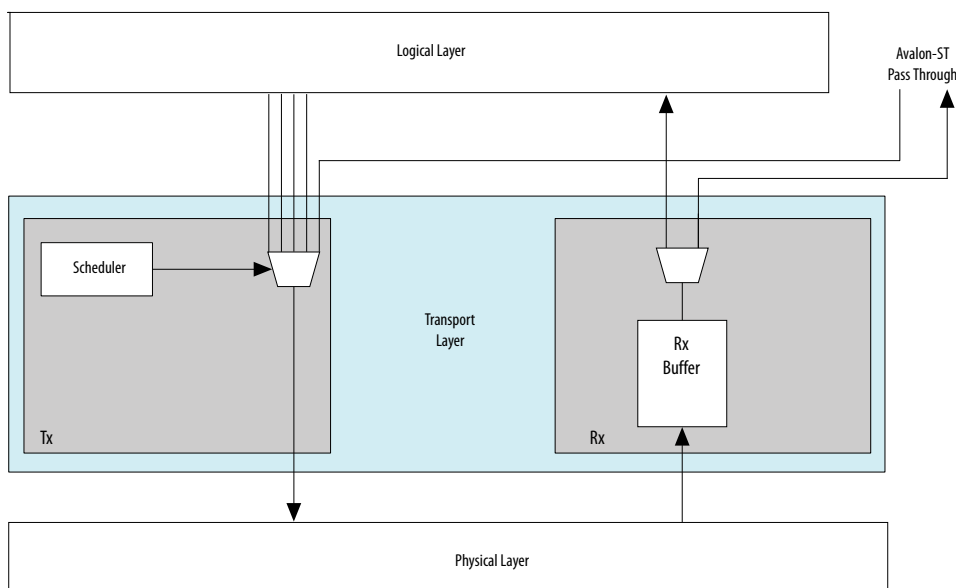
The Transport layer is a required module of the RapidIO II IP core. It is intended for use in an endpoint processing element and must be used with at least one Logical layer module or the Avalon-ST pass-through interface.

You can optionally turn on the following two parameters:

- **Enable Avalon-ST pass-through interface** — If you turn on this parameter, the Transport layer routes all unrecognized packets to the Avalon-ST pass-through interface.
- **Disable destination ID checking by default**—If you turn on this parameter, request packets are considered recognized even if the destination ID does not match the value programmed in the Base Device ID CSR—Offset: 0x60. This feature enables the RapidIO II IP core to process multi-cast transactions correctly.

The Transport layer module is divided into receiver and transmitter submodules.

Figure 38. Transport Layer Block Diagram



4.4.1. Receiver

On the receive side, the Transport layer module receives packets from the Physical layer. Packets travel through the Rx buffer, and any errored packet is eliminated. The Transport layer module routes the packets to one of the Logical layer modules or to the Avalon-ST pass-through interface based on the packet's destination ID, format type (*f_{type}*), and target transaction ID (*targetTID*) header fields. The destination ID matches only if the transport type (*t_t*) field matches.

If you turn off destination ID checking in the RapidIO II parameter editor, the Transport layer routes incoming packets from the Physical layer that are not already marked as errored according to the following rules:

- Routes packets with unsupported `f_type` to the Avalon-ST pass-through interface, if the Avalon-ST pass-through interface is instantiated in the IP core variation.
- Routes packets with a `tt` value that does not match the RapidIO II IP core's device ID width support level according to the following rules:
 - If you turned on **Enable 16-bit device ID width** in the RapidIO II parameter editor, routes packets with an 8-bit device ID to the Avalon-ST pass-through interface, if the Avalon-ST pass-through interface is implemented in the IP core variation. If this interface is not implemented in your variation, drops the packet.
 - If you turned off **Enable 16-bit device ID width** in the RapidIO II parameter editor, drops packets with a 16-bit device ID.

In any of the cases in which the packet is dropped, the Transport layer module asserts the `transport_rx_packet_dropped` signal.

- Request packets with a supported `f_type` and a `tt` value that matches the RapidIO II IP core's device ID width are routed to the Logical layer supporting the `f_type`. If the request packet has an unsupported `ttype`, the Logical layer module then performs the following tasks:
 - Sends an `ERROR` response for request packets that require a response.
 - Records an `unsupported_transaction` error in the Error Management extension registers.
- Packets that would be routed to the Avalon-ST pass-through interface, in the case that the RapidIO II IP core does not implement an Avalon-ST pass-through interface, are dropped. In this case, the Transport layer module asserts the `transport_rx_packet_dropped` signal.
- `f_type=13` response packets are routed based on the value of their target transaction ID field. Each Logical layer module is assigned a range of transaction IDs. If the transaction ID of a received response packet is not within one of the ranges assigned to one of the enabled Logical layer modules, the packet is routed to the Avalon-ST pass-through interface.

Packets marked as errored by the Physical layer (for example, packets with a CRC error or packets that were stomped) are filtered out and dropped from the stream of packets sent to the Logical layer modules or pass-through interface. In these cases, the `transport_rx_packet_dropped` output signal is not asserted.

4.4.2. Transmitter

On the transmit side, the Transport layer module uses a modified round-robin scheduler to select the Logical layer module to transmit packets. The Physical layer continuously sends Physical layer transmit buffer status information to the Transport layer. Based on this information, the Transport layer either implements a standard round-robin algorithm to select the Logical layer module from which to transmit the next packet, or implements a modified algorithm in which the Transport layer only considers packets whose priority field is set at or above a specified threshold. The incoming status information from the Physical layer determines the current priority threshold. The status information can also temporarily backpressure the Transport layer, by indicating no packets of any priority level can currently be selected.

4. Functional Description

UG-01116 | 2018.09.25



The Transport layer polls the various Logical layer modules to determine whether a packet is available. When a packet of the appropriate priority level is available, the Transport layer transmits the whole packet, and then continues polling the next logical modules.

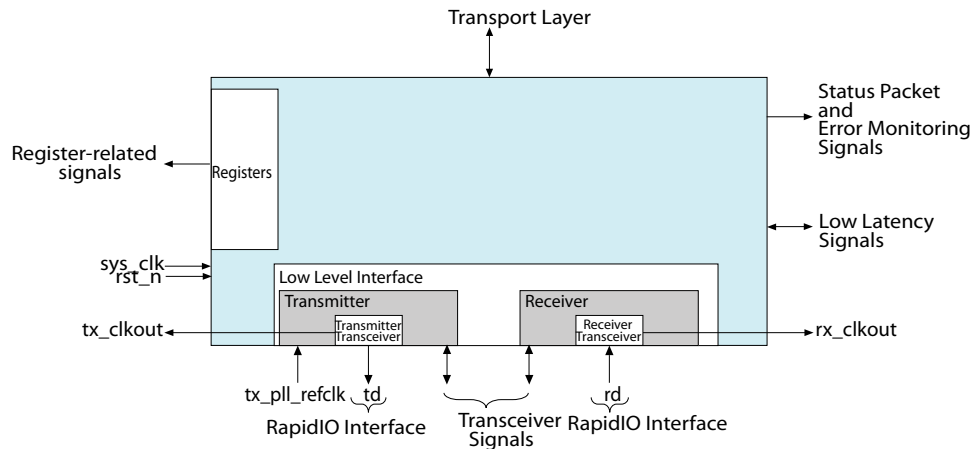
In a variation with a user-defined Logical layer connected to the Avalon-ST pass-through interface, you can abort the transmission of an errored packet by asserting the Avalon-ST pass-through interface `gen_tx_error` and `gen_tx_endofpacket` signal.

4.5. Physical Layer

The Physical layer has the following features:

- Port initialization
- Transmitter and receiver with the following features:
 - One, two, or four lane high-speed data serialization and deserialization
 - Clock and data recovery (receiver)
 - 8B10B encoding and decoding
 - Lane synchronization (receiver)
 - Packet/control symbol assembly and delineation
 - Packet cyclic redundancy code (CRC) (CRC-16) generation and checking
 - Control symbol CRC-13 generation and checking
 - Error detection
 - Pseudo-random IDLE2 sequence generation
 - IDLE2 sequence removal
 - Scrambling and descrambling
- Software interface (status/control registers)
- Flow control (ackID tracking)
- Time-out on acknowledgements
- Order of retransmission maintenance and acknowledgements
- ackID assignment through software interface
- ackID synchronization after reset
- Error management
- Clock decoupling
- FIFO buffer with level output port
- Four transmission queues and four retransmission queues to handle packet prioritization

Figure 39. Physical Layer High Level Block Diagram



4.5.1. Low-level Interface Receiver

The receiver in the low-level interface receives the input from the RapidIO interface, and performs the following tasks:

- Separates packets and control symbols.
- Removes IDLE2 idle sequence characters.
- Detects multicast-event and stomp control symbols.
- Detects packet-size errors.
- Checks the control symbol 13-bit CRC and asserts symbol_error if the CRC is incorrect.

The receiver transceiver is an embedded Transceiver Native PHY IP core.

The Physical layer checks the CRC bits in an incoming RapidIO packet and flags CRC and packet size errors. It strips all CRC bits and padding bytes from the data it sends to the Transport layer.

Related Information

- [Intel Arria 10 Transceiver PHY User Guide](#)
For more details about the transceiver reset and dynamic reconfiguration of transceiver channels and PLLs.
- [Intel Stratix 10 GX 2800 L-Tile ES-1 Transceiver PHY User Guide](#)
For more details about the transceiver reset and dynamic reconfiguration of transceiver channels and PLLs.
- [Intel Stratix 10 L- and H-Tile Transceiver PHY User Guide](#)
For more details about the transceiver reset and dynamic reconfiguration of transceiver channels and PLLs.

4.5.2. Low-Level Interface Transmitter

The transmitter in the low-level interface transmits output to the RapidIO interface. This module performs the following tasks:



- Assembles packets and control symbols into a proper output format.
- Generates the 13-bit CRC to cover the 35-bit symbol and appends the CRC at the end of the symbol.
- Transmits an IDLE2 sequence during port initialization and when no packets or control symbols are available to transmit.
- Transmits outgoing multicast-event control symbols in response to user requests.
- Transmits status control symbols and the rate compensation sequence periodically as required by the RapidIO specification.

The low-level transmitter block creates and transmits outgoing multicast-event control symbols. Each time the `multicast_event_tx` input signal changes value, this block inserts a `multicast-event` control symbol in the outgoing bit stream as soon as possible.

The internal transmitters are turned off while the initialization state machine is in the *SILENT* state. This behavior causes the link partner to detect the need to reinitialize the RapidIO link.

The transmitter transceiver is an embedded Native PHY IP core.

The Physical layer ensures that a maximum of 63 unacknowledged packets are transmitted, and that the `ackIDs` are used and acknowledged in sequential order. To support retransmission of unacknowledged packets, the Physical layer maintains a copy of each transmitted packet until the packet is acknowledged with a `packet-accepted` control symbol.

The RapidIO II IP core supports receiver-controlled flow control in both directions.

If the receiver detects that an incoming packet or control symbol is corrupted or a link protocol violation has occurred, the Physical layer enters an error recovery process. In the case of a corrupted incoming packet or control symbol, and some link protocol violations, the transmitter sends a `packet-not-accepted` symbol to the sender. A `link-request` `link-response` control symbol pair is then exchanged between the link partners and the sender then retransmits all packets starting from the `ackID` specified in the `link-response` control symbol. The transmitter attempts the `link-request` `link-response` control symbol pair exchange seven times. If the protocol and control block times out awaiting the response to the seventh `link-request` control symbol, it declares a fatal error. When a time-out occurs for an outgoing packet, the Physical layer starts the recovery process. If a packet is retransmitted, the time-out counter is reset. To meet the RapidIO specification requirements for packet priority handling and deadlock avoidance, the Physical layer transmitter includes four transmit queues and four retransmit queues, one for each priority level.

The transmit buffer is the main memory in which the packets are stored before they are transmitted. The buffer is partitioned into 64-byte blocks to be used on a first-come, first-served basis by the transmit and retransmit queues.

The following events cause any stored packets to be lost:

4. Functional Description

UG-01116 | 2018.09.25



- Fatal error caused by receiving a `link-response` control symbol with the `port_status` set to `OK` but the `ackid_status` set to an `ackID` that is not pending (transmitted but not acknowledged yet).
- Fatal error caused by transmitter timing out while waiting for `link-response`.
- Fatal error caused by receiver timing out while waiting for `link-request`.
- Receive four consecutive `link-request` control symbols with the `cmd` set to `reset-device`.

4.6. Error Detection and Management

The error detection and management mechanisms in the RapidIO specification and those built into the RapidIO II IP core provide a high degree of reliability. In addition to error detection, management, and recovery features, the RapidIO II IP core also provides debugging and diagnostic aids. The RapidIO II IP core optionally implements the Error Management Extensions block and registers.

4.6.1. Physical Layer Error Management

Most errors at the Physical layer are categorized as:

- Protocol violations
- Transmission errors

Protocol violations can be caused by a link partner that is not fully compliant to the specification, or can be a side effect of the link partner being reset.

Transmission errors can be caused by noise on the line and consist of one or more bit errors. The following mechanisms exist for checking and detecting errors:

- The receiver checks the validity of the received 8B10B encoded characters, including the running disparity.
- The receiver detects control characters changed into data characters or data characters changed into control characters, based on the context in which the character is received.
- The receiver checks the CRC of the received control symbols and packets.

The RapidIO II IP core Physical layer transparently manages these errors for you. The RapidIO specification defines both input and output error detection and recovery state machines that include handshaking protocols in which the receiving end signals that an error is detected by sending a `packet-not-accepted` control symbol, the transmitter then sends an `input-status link-request` control symbol to which the receiver responds with a `link-response` control symbol to indicate which packet requires transmission. The input and output error detection and recovery state machines can be monitored by software that you create to read the status of the `Port 0 Error and Status CSR`.

In addition to the registers defined by the specification, the RapidIO II IP core provides several output signals that enable user logic to monitor error detection and the recovery process.

4.6.1.1. Protocol Violations

Some protocol violations, such as a packet with an unexpected `ackID` or a time-out on a packet acknowledgment, can use the same error recovery mechanisms as the transmission errors. Some protocol violations, such as a time-out on a `link-request` or the RapidIO II IP core receiving a `link-response` with an `ackID` outside the range of transmitted `ackIDs`, can lead to unrecoverable—or fatal—errors.

4.6.1.2. Fatal Errors

Software determines the behavior of the RapidIO II IP core following a fatal error. For example, you can program software to optionally perform any of the following actions, among others:



- Set the `PORT_DIS` bit of the `Port 0 Control CSR` to force the initialization state machine to the `SILENT` state.
- Write to the `OUTBOUND_ACKID` field of the `Port 0 Local AckID CSR` to specify the next outbound and expected packet `ackID` from the RapidIO link partner. You can use this option to force retransmission of outstanding unacknowledged packets.
- Set the `CLR_OUTSTANDING_ACKIDS` field of the `Port 0 Local AckID CSR` to clear the queue of outstanding unacknowledged packets.

If the link partner is reset when its expected `ackID` is not zero, a fatal error occurs when the link partner receives the next transmitted packet because the link partner's expected `ackID` is reset to zero, which causes a mismatch between the transmitted `ackID` and the expected `ackID`. When that occurs, you can use the `Port 0 Local AckID CSR` to resynchronize the expected and transmitted `ackID` values.

Related Information

- [Port 0 Control CSR](#) on page 164
- [Port 0 Local AckID CSR](#) on page 158

4.6.2. Logical Layer Error Management

The Logical layer modules only need to process Logical layer errors because errors detected by the Physical layer are masked from the Logical layer module. If an errored packet arrives at the Transport layer, the Transport layer does not pass it on to the Logical layer modules.

The RapidIO specification defines the following common errors and the protocols for managing them:

- Malformed request or response packets
- Unexpected Transaction ID
- Missing response (time-out)
- Response with `ERROR` status

The RapidIO II IP core implements the optional Error Management Extensions as defined in Part 8 of the *RapidIO Interconnect Specification Revision 2.2*.

When enabled, each error defined in the Error Management Extensions triggers the assertion of an interrupt on its module-specific interrupt output signal and causes the capture of various packet header fields in the appropriate capture CSRs.

In addition to the errors defined by the RapidIO specification, each Logical layer module has its own set of error conditions that can be detected and managed.

Related Information

[Error Management Registers](#) on page 192

4.6.2.1. Maintenance Avalon-MM Slave

The Maintenance Avalon-MM slave module creates request packets for the Avalon-MM transaction on its slave interface and processes the response packets that it receives. Anomalies are reported through one or more of the following three channels:

- Standard error management registers
- Registers in the implementation defined space
- The Avalon-MM slave interface's error indication signal

Standard Error Management Registers

The following standard defined error types can be declared by the Maintenance Avalon-MM slave module. The corresponding error bits are then set and the required packet information is captured in the appropriate error management registers.

- **IO Error Response** is declared when a response with `ERROR` status is received for a pending `MAINTENANCE` read or write request.
- **Unsolicited Response** is declared when a response is received that does not correspond to any pending `MAINTENANCE` read or write request.
- **Packet Response Timeout** is declared when a response is not received within the time specified by the `Port Response Time-Out` CSR for a pending `MAINTENANCE` read or write request.
- **Illegal Transaction Decode** is declared for malformed received response packets occurring from any of the following events:
 - Response packet to pending `MAINTENANCE` read or write request with status not `DONE` nor `ERROR`.
 - Response packet with payload with a transaction type different from `MAINTENANCE` read response.
 - Response packet without payload, with a transaction type different from `MAINTENANCE` write response.
 - Response to a pending `MAINTENANCE` read request with more than 32 bits of payload (The RapidIO II IP core issues only 32-bit `MAINTENANCE` read requests).

Registers in the Implementation Defined Space

The Maintenance register module defines the Maintenance Interrupt register in which the following two bits report Maintenance Avalon-MM slave related error conditions:

- `WRITE_OUT_OF_BOUNDS`
- `READ_OUT_OF_BOUNDS`

These bits are set when the address of a write or read transfer on the Maintenance Avalon-MM slave interface falls outside of all the enabled address mapping windows. When these bits are set, the system interrupt signal `mnt_mnt_s_irq` is also asserted if the corresponding bit in the `Maintenance Interrupt Enable` register is set.

Maintenance Avalon-MM Slave Interface's Error Indication Signal

The `mnt_s_readerror` output signal is asserted when a response with `ERROR` status is received for a `MAINTENANCE` read request packet, when a `MAINTENANCE` read times out, or when the Avalon-MM read address falls outside of all the enabled address mapping windows.

Related Information

[Maintenance Interrupt Control Registers](#) on page 183



4.6.2.2. Maintenance Avalon-MM Master

The Maintenance Avalon-MM master module processes the MAINTENANCE read and write request packets that it receives and generates response packets. Anomalies are reported by generating ERROR response packets. A response packet with ERROR status is generated in the following cases:

- Received a MAINTENANCE write request packet without payload or with more than 64 bytes of payload.
- Received a MAINTENANCE read request packet of the wrong size (too large or too small).
- Received a MAINTENANCE read or write request packet with an invalid `rdsiz` or `wrsiz` value

Note: These errors do not cause any of the standard-defined errors to be declared and recorded in the Error Management registers.

Related Information

[Maintenance Interrupt Control Registers](#) on page 183

4.6.2.3. Port-Write Reception Module

The Port-Write reception module processes receive port-write request MAINTENANCE packets. The following bits in the Maintenance Interrupt register in the implementation-defined space report any detected anomaly. The `mnt_mnt_s_irq` interrupt signal is asserted if the corresponding bit in the Maintenance Interrupt Enable register is set.

- The `PORT_WRITE_ERROR` bit is set when the packet is either too small (no payload) or too large (more than 64 bytes of payload), or if the actual size of the packet is larger than indicated by the `wrsiz` field. These errors do not cause any of the standard defined errors to be declared and recorded in the error management registers.
- The `PACKET_DROPPED` bit is set when a port-write request packet is received but port-write reception is not enabled (by setting bit `PORT_WRITE_ENA` in the Rx Port Write Control register, or if a previously received port-write has not been read out from the Rx Port Write Buffer register.

4.6.2.4. Port-Write Transmission Module

Port-write requests do not cause response packets to be generated. Therefore, the port-write transmission module does not detect or report any errors.

4.6.2.5. Input/Output Avalon-MM Slave

The I/O Avalon-MM slave module creates request packets for the Avalon-MM transaction on its read and write slave interfaces and processes the response packets that it receives. Anomalies are reported through one or more of the following three channels:

- Standard error management registers
- Registers in the implementation defined space
- The Avalon-MM slave interface's error indication signal

Standard Error Management Registers

The following standard defined error types can be declared by the I/O Avalon-MM slave module. The corresponding error bits are then set and the required packet information is captured in the appropriate error management registers.

- **IO Error Response** is declared when a response with `ERROR` status is received for a pending `NREAD` or `NWRITE_R` request.
- **Unsolicited Response** is declared when a response is received that does not correspond to any pending `NREAD` or `NWRITE_R` request.
- **Packet Response Time-Out** is declared when a response is not received within the time specified by the `Port Response Time-Out Response` CSR for an `NREAD` or `NWRITE_R` request.
- **Illegal Transaction Decode** is declared for malformed received response packets occurring from any of the following events:
 - `NREAD` or `NWRITE_R` response packet with status not `DONE` nor `ERROR`.
 - `NWRITE_R` response packet with payload or with a transaction type indicating the presence of a payload.
 - `NREAD` response packet without payload, with incorrect payload size, or with a transaction type indicating absence of payload.

Registers in the Implementation Defined Space

The I/O Avalon-MM slave module defines the Input/Output Slave Interrupt registers with the following bits:

- `INVALID_READ_BURSTCOUNT`
- `INVALID_READ_BYTEENABLE`
- `INVALID_WRITE_BYTEENABLE`
- `INVALID_WRITE_BURSTCOUNT`
- `WRITE_OUT_OF_BOUNDS`
- `READ_OUT_OF_BOUNDS`

When any of these bits are set, the system interrupt signal `io_s_mnt_irq` is also asserted if the corresponding bit in the `Input/Output Slave Interrupt Enable` register is set.

The Avalon-MM Slave Interface's Error Indication Signal

The `ios_rd_wr_readresponse` output is asserted when a response with `ERROR` status is received for an `NREAD` request packet, when an `NREAD` request times out, or when the Avalon-MM address falls outside of the enabled address mapping window. As required by the Avalon-MM interface specification, a burst in which the `ios_rd_wr_readresponse` signal is asserted completes despite the error signal assertion.

Related Information

[I/O Slave Interrupts](#) on page 190



4.6.2.6. Input/Output Avalon-MM Master

The I/O Avalon-MM master module processes the request packets that it receives and generates response packets when required. Anomalies are reported through one or both of the following two channels:

- Standard error management registers
- Response packets with `ERROR` status

Standard Error Management Registers

The following two standard defined error types can be declared by the I/O Avalon-MM master module. The corresponding bits are then set and the required packet information is captured in the appropriate error management registers.

- **Unsupported Transaction** is declared when a request packet carries a transaction type that is not supported in the `Destination Operations CAR`, whether an `ATOMIC` transaction type, a reserved transaction type, or an implementation defined transaction type.
- **Illegal Transaction Decode** is declared when a request packet for a supported transaction is too short or if it contains illegal values in some of its fields such as in these examples:
 - Request packet with `priority = 3`.
 - `NWRITE`, `NWRITE_R`, or `SWRITE` request packets without payload.
 - `NWRITE` or `NWRITE_R` request packets with reserved `wrsiz` and `wdptr` combination.
 - `NWRITE`, `NWRITE_R`, `SWRITE`, or `NREAD` request packets for which the address does not match any enabled address mapping window.
 - `NREAD` request packet with payload.
 - `NREAD` request with `rdsiz` that is not an integral number of transfers on all byte lanes. (The Avalon-MM interface specification requires that all byte lanes be enabled for read transfers. Therefore, Read Avalon-MM master modules do not have a `byteenable` signal).
 - Payload size does not match the size indicated by the `rdsiz` or `wrsiz` and `wdptr` fields.

Response Packets with ERROR Status

An `ERROR` response packet is sent for `NREAD` and `NWRITE_R` and Type 5 `ATOMIC` request packets that cause an `Illegal Transaction Decode` error to be declared. An `ERROR` response packet is also sent for `NREAD` requests if the `iom_rd_wr_readresponse` input signal is asserted through the final cycle of the Avalon-MM read transfer.

Related Information

[I/O Master Interrupts](#) on page 188

4.6.3. Avalon-ST Pass-Through Interface

Packets with valid CRCs that are not recognized as being targeted to one of the implemented Logical layer modules are passed to the Avalon-ST pass-through interface for processing by user logic.



The RapidIO II IP core also provides hooks for user logic to report any error detected by a user-implemented Logical layer module attached to the Avalon-ST pass-through interface.

5. Signals

This chapter lists the RapidIO II IP core signals. Signals are listed with their widths. In this context, the n in $[n:0]$ is the number of lanes minus one, so that $\text{signal}[n:0]$ has one bit for each lane.

5.1. Global Signals

Table 53. Clock Signals

Signal	Direction	Description
<code>sys_clk</code>	Input	Avalon system clock.
<code>tx_pll_refclk</code>	Input	Physical layer reference clock. Your design must drive this clock from the same source as the <code>sys_clk</code> input clock. In Intel Arria 10, Intel Stratix 10 and Intel Cyclone 10 GX device variations, despite the signal name, this clock is the reference clock for the RX CDR block in the transceiver. In other variations, this clock is also the reference clock for the TX PLL in the transceiver.
<code>rx_clkout</code>	Output	Receive-side recovered clock. This signal is derived from the incoming RapidIO data.
<code>tx_clkout</code>	Output	Transmit-side clock.
<code>tx_bonding_clocks_ch0[5:0]</code>	Input	Transceiver channel TX input clocks for RapidIO lane 0. This signal is available in Intel Arria 10, Intel Stratix 10 and Intel Cyclone 10 GX variations. Each transceiver channel that corresponds to a RapidIO lane has six input clock bits. The bits are expected to be driven from a TX PLL.
<code>tx_bonding_clocks_ch1[5:0]</code>	Input	Transceiver channel TX input clocks for RapidIO lane 1. This signal is available in Intel Arria 10, Intel Stratix 10 and Intel Cyclone 10 GX 2x and 4x variations. Each transceiver channel that corresponds to a RapidIO lane has six input clock bits. The bits are expected to be driven from a TX PLL.
<code>tx_bonding_clocks_ch2[5:0]</code>	Input	Transceiver channel TX input clocks for RapidIO lane 2. This signal is available in Intel Arria 10, Intel Stratix 10 and Intel Cyclone 10 GX 4x variations. Each transceiver channel that corresponds to a RapidIO lane has six input clock bits. The bits are expected to be driven from a TX PLL.
<code>tx_bonding_clocks_ch3[5:0]</code>	Input	Transceiver channel TX input clocks for RapidIO lane 3. This signal is available in Intel Arria 10, Intel Stratix 10 and Intel Cyclone 10 GX 4x variations. Each transceiver channel that corresponds to a RapidIO lane has six input clock bits. The bits are expected to be driven from a TX PLL.
<code>reconfig_clk_ch0</code>	Input	Clocks the dynamic reconfiguration interface for RapidIO lane 0. This interface is available in Intel Arria 10, Intel Stratix 10 and Intel Cyclone 10 GX variations for which you turn on Enable transceiver dynamic reconfiguration .

continued...

Signal	Direction	Description
reconfig_clk_ch1	Input	Clocks the dynamic reconfiguration interface for RapidIO lane 1. This interface is available in Intel Arria 10, Intel Stratix 10 and Intel Cyclone 10 GX 2x and 4x variations for which you turn on Enable transceiver dynamic reconfiguration .
reconfig_clk_ch2	Input	Clocks the dynamic reconfiguration interface for RapidIO lane 2. This interface is available in Intel Arria 10, Intel Stratix 10 and Intel Cyclone 10 GX 4x variations for which you turn on Enable transceiver dynamic reconfiguration .
reconfig_clk_ch3	Input	Clocks the dynamic reconfiguration interface for RapidIO lane 3. This interface is available in Intel Arria 10, Intel Stratix 10 and Intel Cyclone 10 GX 4x variations for which you turn on Enable transceiver dynamic reconfiguration .

Table 54. Global Reset Signals

Signal	Direction	Description
rst_n	Input	Active-low system reset. This reset is associated with the Avalon system clock. <code>rst_n</code> can be asserted asynchronously, but must stay asserted at least one clock cycle and must be de-asserted synchronously with <code>sys_clk</code> . To reset the IP core correctly you must also assert this signal together with the <code>reset</code> input signal to the Transceiver PHY Reset Controller IP core to which you must connect the RapidIO II IP core. Intel recommends that you apply an explicit 1 to 0 transition on the <code>rst_n</code> input port in simulation, to ensure that the simulation model is properly reset.
reconfig_reset_ch0	Input	Resets the dynamic reconfiguration interface for RapidIO lane 0. This interface is available in Intel Arria 10, Intel Stratix 10 and Intel Cyclone 10 GX variations for which you turn on Enable transceiver dynamic reconfiguration .
reconfig_reset_ch1	Input	Resets the dynamic reconfiguration interface for RapidIO lane 1. This interface is available in Intel Arria 10, Intel Stratix 10 and Intel Cyclone 10 GX 2x and 4x variations for which you turn on Enable transceiver dynamic reconfiguration .
reconfig_reset_ch2	Input	Resets the dynamic reconfiguration interface for RapidIO lane 2. This interface is available in Intel Arria 10, Intel Stratix 10 and Intel Cyclone 10 GX 4x variations for which you turn on Enable transceiver dynamic reconfiguration .
reconfig_reset_ch3	Input	Resets the dynamic reconfiguration interface for RapidIO lane 3. This interface is available in Intel Arria 10, Intel Stratix 10 and Intel Cyclone 10 GX 4x variations for which you turn on Enable transceiver dynamic reconfiguration .

5.2. Physical Layer Signals

Table 55. RapidIO Interface

Signal	Direction	Description
rd[n:0]	Input	Receive data — a unidirectional data receiver. It is connected to the <code>td</code> bus of the transmitting device.
td[n:0]	Output	Transmit data — a unidirectional data driver. The <code>td</code> bus of one device is connected to the <code>rd</code> bus of the receiving device.



5.2.1. Status Packet and Error Monitoring Signals

Table 56. Status Packet and Error Monitoring Signals

All of these signals are output signals synchronized with the `sys_clk` clock.

Output Signals	Description
<code>packet_transmitted</code>	Pulsed high for one clock cycle when a packet's transmission completes normally.
<code>packet_cancelled</code>	Pulsed high for one clock cycle when a packet's transmission is cancelled by sending a <code>stomp</code> , a <code>restart-from-retry</code> , or a <code>link-request</code> control symbol.
<code>packet_accepted_cs_sent</code>	Pulsed high for one clock cycle when a <code>packet-accepted</code> control symbol has been transmitted.
<code>packet_accepted_cs_received</code>	Pulsed high for one clock cycle when a <code>packet-accepted</code> control symbol has been received.
<code>packet_retry_cs_sent</code>	Pulsed high for one clock cycle when a <code>packet-retry</code> control symbol has been transmitted.
<code>packet_retry_cs_received</code>	Pulsed high for one clock cycle when a <code>packet-retry</code> control symbol has been received.
<code>packet_not_accepted_cs_sent</code>	Pulsed high for one clock cycle when a <code>packet-not-accepted</code> control symbol has been transmitted.
<code>packet_not_accepted_cs_received</code>	Pulsed high for one clock cycle when a <code>packet-not-accepted</code> control symbol has been received.
<code>packet_crc_error</code>	Pulsed high for one clock cycle when a CRC error is detected in a received packet.
<code>control_symbol_error</code>	Pulsed high for one clock cycle when a corrupted control symbol is received.
<code>port_initialized</code>	Indicates that the RapidIO initialization sequence has completed successfully. This is a level signal asserted high while the initialization state machine is in the <code>1X_MODE</code> , <code>2X_MODE</code> , or <code>4X_MODE</code> state, as described in paragraph 4.12 of the <i>RapidIO Interconnect Specification v2.2 Part 6: LP-Serial Physical Layer Specification</i> . This signal holds the inverse of the value of the <code>PORT_UNINIT</code> field of the <code>Port 0 Error and Status CSR</code> (offset <code>0x158</code>)
<code>port_error</code>	This signal holds the value of the <code>PORT_ERR</code> bit of the <code>Port 0 Error and Status CSR</code> (offset <code>0x158</code>)
<code>link_initialized</code>	Indicates that the RapidIO port successfully completed link initialization.
<code>port_ok</code>	This signal holds the value of the <code>PORT_OK</code> bit of the <code>Port 0 Error and Status CSR</code> (offset <code>0x158</code>)
<code>four_lanes_aligned</code>	Indicates that all four lanes of the 4x RapidIO port are in sync and aligned. This signal is present only in variations that support four lanes.
<code>two_lanes_aligned</code>	Indicates that the both lanes of the 2x RapidIO port are in sync and aligned. This signal is present only in variations that support two lanes.

5.2.2. Low Latency Signals

The low-latency signals connect to the lowest level of the Physical layer module, to minimize latency.

5.2.2.1. Multicast Event Signals

Table 57. Multicast Event Signals

All of these signals are synchronized with the `sys_clk` clock.

Signal	Direction	Description
<code>send_multicast_event</code>	Input	Change the value of this signal to indicate the RapidIO II IP core should transmit a <code>multicast-event</code> control symbol. After you assert the <code>send_multicast_event</code> signal, await assertion of the <code>sent_multicast_event</code> signal before you toggle this signal again. If you toggle this signal before you see the <code>sent_multicast_event</code> confirmation from the previous change of value, the number of multicast events that are sent is undefined.
<code>multicast_event_rx</code>	Output	Changes value when a <code>multicast-event</code> control symbol is received.
<code>sent_multicast_event</code>	Output	Indicates the RapidIO II IP core has queued a <code>multicast-event</code> control symbol for transmission.

5.2.2.2. Link-Request Reset-Device Signals

Table 58. Link-Request Reset-Device Signals

Signal	Direction	Description
<code>send_link_request_reset_device</code>	Input	Change the value of this signal to indicate the RapidIO II IP core should transmit five <code>link-request reset-device</code> control symbols. Await assertion of the <code>sent_link_request_reset_device</code> signal before you toggle this signal again. If you toggle this signal before you see the <code>sent_link_request_reset_device</code> confirmation from the previous change of value, the RapidIO II IP core behavior is undefined.
<code>link_req_reset_device_received</code>	Output	Asserted for one <code>sys_clk</code> cycle when four valid <code>link-request reset-device</code> control symbols in a row are received. The assertion of this signal does not automatically reset the IP core. However, your design can implement logic to reset the IP core in response to the assertion of this signal. For example, you could implement a direct connection from this signal to a reset controller for the IP core and the transceiver, or implement logic to write to a register that reset software polls.
<code>sent_link_request_reset_device</code>	Output	Indicates the RapidIO II IP core has queued a series of five <code>link-request reset-device</code> control symbols for transmission.



5.2.3. Transceiver Signals

Table 59. Transceiver Signals

These signals are connected directly to the transceiver block. In some cases these signals must be shared by multiple transceiver blocks that are implemented in the same device.

Signal	Direction	Description
reconfig_to_xcvr	Input	Driven from an external dynamic reconfiguration block. Supports the selection of multiple transceiver channels for dynamic reconfiguration. Note that not using a dynamic reconfiguration block that enables offset cancellation results in a non-functional hardware design. The width of this bus is $(C + 1) \times 70$, where C is the number of channels: 1, 2, or 4. This width supports communication from the Reconfiguration Controller with C + 1 reconfiguration interfaces—one dedicated to each channel and another for the transceiver PLL—to the transceiver. If you omit the Reconfiguration Controller from your simulation model, you must ensure all bits of this bus are tied to 0. This bus is available only in Arria V, Arria V GZ, Cyclone V, and Stratix V IP core variations.
reconfig_from_xcvr	Output	Driven to an external dynamic reconfiguration block. The bus identifies the transceiver channel whose settings are being transmitted to the dynamic reconfiguration block. If no external dynamic reconfiguration block is used, then this output bus can be left unconnected. The width of this bus is $(C + 1) \times 46$, where C is the number of channels: 1, 2, or 4. This width supports communication from the transceiver to C + 1 reconfiguration interfaces in the Reconfiguration Controller, one interface dedicated to each channel and an additional interface for the transceiver PLL. This bus is available only in Arria V, Arria V GZ, Cyclone V, and Stratix V IP core variations.
tx_cal_busy[n:0]	Output	Connect to the corresponding signal in the Transceiver PHY Reset Controller IP core, which implements the appropriate reset sequence for the device.
rx_cal_busy[n:0]	Output	Connect to the corresponding signal in the Transceiver PHY Reset Controller IP core, which implements the appropriate reset sequence for the device.
pll_locked	Output	Connect to the corresponding signal in the Transceiver PHY Reset Controller IP core, which implements the appropriate reset sequence for the device. This signal is available only in Arria V, Arria V GZ, Cyclone V, and Stratix V IP core variations.
pll_powerdown	Input	Connect to the corresponding signal in the Transceiver PHY Reset Controller IP core, which implements the appropriate reset sequence for the device. This signal is available only in Arria V, Arria V GZ, Cyclone V, and Stratix V IP core variations.
rx_digitalreset[n:0]	Input	Connect to the corresponding signal in the Transceiver PHY Reset Controller IP core, which implements the appropriate reset sequence for the device.
rx_digitalreset_stat[n:0]	Output	Connect to the corresponding signal in the Transceiver PHY Reset Controller IP core while using Intel Stratix 10 devices, which implements the appropriate reset sequence for the device.
rx_analogreset[n:0]	Input	Connect to the corresponding signal in the Transceiver PHY Reset Controller IP core, which implements the appropriate reset sequence for the device.
rx_analogreset_stat[n:0]	Output	Connect to the corresponding signal in the Transceiver PHY Reset Controller IP core while using Intel Stratix 10 devices, which implements the appropriate reset sequence for the device.

continued...

Signal	Direction	Description
rx_ready[n:0]	Input	Connect to the corresponding signal in the Transceiver PHY Reset Controller IP core, which implements the appropriate reset sequence for the device.
tx_digitalreset[n:0]	Input	Connect to the corresponding signal in the Transceiver PHY Reset Controller IP core, which implements the appropriate reset sequence for the device.
tx_digitalreset_stat[n:0]	Output	Connect to the corresponding signal in the Transceiver PHY Reset Controller IP core while using Intel Stratix 10 devices, which implements the appropriate reset sequence for the device.
tx_analogreset[n:0]	Input	Connect to the corresponding signal in the Transceiver PHY Reset Controller IP core, which implements the appropriate reset sequence for the device.
tx_analogreset_stat[n:0]	Output	Connect to the corresponding signal in the Transceiver PHY Reset Controller IP core while using Intel Stratix 10 devices, which implements the appropriate reset sequence for the device.
tx_ready[n:0]	Input	Connect to the corresponding signal in the Transceiver PHY Reset Controller IP core, which implements the appropriate reset sequence for the device.
rx_is_lockedtodata[n:0]	Output	Connect to the corresponding signal in the Transceiver PHY Reset Controller IP core, which implements the appropriate reset sequence for the device.
rx_is_lockedtoref[n:0]	Output	Indicates that the CDR is locked to tx_pll_refclk.
rx_syncstatus[n:0]	Output	Indicates that the word aligner is synchronized to incoming data.
rx_signaldetect[n:0]	Output	Indicates that the lane detects a sender at the other end of the link: the signal is above the programmed signal detection threshold value.

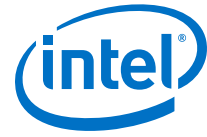
Table 60. Intel Arria 10, Intel Stratix 10 and Intel Cyclone 10 GX Transceiver Dynamic Reconfiguration Avalon-MM Interface Signals

Each of these individual interfaces is an Avalon-MM interface you use to access the hard PCS registers for the corresponding transceiver channel on the Intel Arria 10, Intel Stratix 10 and Intel Cyclone 10 GX devices. These signals are available if you turn on Enable transceiver dynamic reconfiguration in the RapidIO II parameter editor.

Signal	Direction	Description
reconfig_clk_ch0	Input	Dynamic reconfiguration interface clock for the transceiver channel configured for RapidIO lane 0.
reconfig_reset_ch0	Input	Dynamic reconfiguration interface reset for the transceiver channel configured for RapidIO lane 0.
reconfig_waitrequest_ch0	Output	Dynamic reconfiguration slave wait request for the transceiver channel configured for RapidIO lane 0. The RapidIO II IP core uses this signal to stall the requestor on the interconnect.
reconfig_read_ch0	Input	Dynamic reconfiguration slave read request for the transceiver channel configured for RapidIO lane 0.
reconfig_write_ch0	Input	Dynamic reconfiguration slave write request for the transceiver channel configured for RapidIO lane 0.
reconfig_address_ch0[9:0]	Input	Dynamic reconfiguration slave address bus for the transceiver channel configured for RapidIO lane 0. The address is a word address, not a byte address.
reconfig_writedata_ch0[31:0]	Input	Dynamic reconfiguration slave write data bus for the transceiver channel configured for RapidIO lane 0.
<i>continued...</i>		

5. Signals

UG-01116 | 2018.09.25



Signal	Direction	Description
reconfig_readdata_ch0[31:0]	Output	Dynamic reconfiguration slave read data bus for the transceiver channel configured for RapidIO lane 0.
reconfig_clk_ch1	Input	Dynamic reconfiguration interface clock for the transceiver channel configured for RapidIO lane 1. This signal is available only in 2x and 4x variations.
reconfig_reset_ch1	Input	Dynamic reconfiguration interface reset for the transceiver channel configured for RapidIO lane 1. This signal is available only in 2x and 4x variations.
reconfig_waitrequest_ch1	Output	Dynamic reconfiguration slave wait request for the transceiver channel configured for RapidIO lane 1. The RapidIO II IP core uses this signal to stall the requestor on the interconnect. This signal is available only in 2x and 4x variations.
reconfig_read_ch1	Input	Dynamic reconfiguration slave read request for the transceiver channel configured for RapidIO lane 1. This signal is available only in 2x and 4x variations.
reconfig_write_ch1	Input	Dynamic reconfiguration slave write request for the transceiver channel configured for RapidIO lane 1. This signal is available only in 2x and 4x variations.
reconfig_address_ch1[9:0]	Input	Dynamic reconfiguration slave address bus for the transceiver channel configured for RapidIO lane 1. The address is a word address, not a byte address. This signal is available only in 2x and 4x variations.
reconfig_writedata_ch1[31:0]	Input	Dynamic reconfiguration slave write data bus for the transceiver channel configured for RapidIO lane 1. This signal is available only in 2x and 4x variations.
reconfig_readdata_ch1[31:0]	Output	Dynamic reconfiguration slave read data bus for the transceiver channel configured for RapidIO lane 1. This signal is available only in 2x and 4x variations.
reconfig_clk_ch2	Input	Dynamic reconfiguration interface clock for the transceiver channel configured for RapidIO lane 2. This signal is available only in 4x variations.
reconfig_reset_ch2	Input	Dynamic reconfiguration interface reset for the transceiver channel configured for RapidIO lane 2. This signal is available only in 4x variations.
reconfig_waitrequest_ch2	Output	Dynamic reconfiguration slave wait request for the transceiver channel configured for RapidIO lane 2. The RapidIO II IP core uses this signal to stall the requestor on the interconnect. This signal is available only in 4x variations.
reconfig_read_ch2	Input	Dynamic reconfiguration slave read request for the transceiver channel configured for RapidIO lane 2. This signal is available only in 4x variations.
reconfig_write_ch2	Input	Dynamic reconfiguration slave write request for the transceiver channel configured for RapidIO lane 2. This signal is available only in 4x variations.
reconfig_address_ch2[9:0]	Input	Dynamic reconfiguration slave address bus for the transceiver channel configured for RapidIO lane 2. The address is a word address, not a byte address. This signal is available only in 4x variations.
reconfig_writedata_ch2[31:0]	Input	Dynamic reconfiguration slave write data bus for the transceiver channel configured for RapidIO lane 2. This signal is available only in 4x variations.
reconfig_readdata_ch2[31:0]	Output	Dynamic reconfiguration slave read data bus for the transceiver channel configured for RapidIO lane 2. This signal is available only in 4x variations.

continued...

Signal	Direction	Description
reconfig_clk_ch3	Input	Dynamic reconfiguration interface clock for the transceiver channel configured for RapidIO lane 3. This signal is available only in 4x variations.
reconfig_reset_ch3	Input	Dynamic reconfiguration interface reset for the transceiver channel configured for RapidIO lane 3. This signal is available only in 4x variations.
reconfig_waitrequest_ch3	Output	Dynamic reconfiguration slave wait request for the transceiver channel configured for RapidIO lane 3. The RapidIO II IP core uses this signal to stall the requestor on the interconnect. This signal is available only in 4x variations.
reconfig_read_ch3	Input	Dynamic reconfiguration slave read request for the transceiver channel configured for RapidIO lane 3. This signal is available only in 4x variations.
reconfig_write_ch3	Input	Dynamic reconfiguration slave write request for the transceiver channel configured for RapidIO lane 3. This signal is available only in 4x variations.
reconfig_address_ch3[9:0]	Input	Dynamic reconfiguration slave address bus for the transceiver channel configured for RapidIO lane 3. The address is a word address, not a byte address. This signal is available only in 4x variations.
reconfig_writedata_ch3[31:0]	Input	Dynamic reconfiguration slave write data bus for the transceiver channel configured for RapidIO lane 3. This signal is available only in 4x variations.
reconfig_readdata_ch3[31:0]	Output	Dynamic reconfiguration slave read data bus for the transceiver channel configured for RapidIO lane 3. This signal is available only in 4x variations.

To control the transceivers, you must implement the following blocks in your design:

- For Arria V, Arria V GZ, Cyclone V, and Stratix V variations: Dynamic reconfiguration block.

The dynamic reconfiguration block lets you reconfigure the following PMA settings:

- Pre-emphasis
- Equalization
- Offset cancellation
- V_{OD} on a per channel basis
- For all variations: Reset controller block.

Related Information

- [V-Series Transceiver PHY IP Core User Guide](#)
For Arria V, Arria V GZ, Cyclone V, and Stratix V devices.
- [Intel Arria 10 Transceiver PHY User Guide](#)
For more details about the transceiver reset and dynamic reconfiguration of transceiver channels and PLLs.
- [Intel Stratix 10 GX 2800 L-Tile ES-1 Transceiver PHY User Guide](#)
For more details about the transceiver reset and dynamic reconfiguration of transceiver channels and PLLs.
- [Intel Stratix 10 L- and H-Tile Transceiver PHY User Guide](#)
For more details about the transceiver reset and dynamic reconfiguration of transceiver channels and PLLs.
- [Reset for RapidIO II IP Cores](#) on page 51



5.2.4. Register-Related Signals

Table 61. Register-Related Signals

These signals are output signals that reflect useful register field values.

Signal	Direction	Description
master_enable	Output	This output reflects the value of the Master Enable bit of the Port General Control CSR, which indicates whether this device is allowed to issue request packets. If the Master Enable bit is not set, the device may only respond to requests. User logic connected to the Avalon-ST pass-through interface should honor this value and not cause the Physical layer to issue request packets when it is not allowed.
time_to_live[15:0]	Output	This output reflects the value of the TIME_TO_LIVE field of the Packet Time-to-Live CSR, which is the maximum time duration that a packet is allowed to remain in a switch device.
base_device_id[7:0]	Output	This output reflects the value of the Base_deviceID field in the Base Device ID CSR.
large_base_device_id [15:0]	Output	This output reflects the value of the Large_base_deviceID field in the Base Device ID CSR.

5.3. Logical and Transport Layer Signals

This section describes the signals used by the Logical layer and Transport layer modules of the RapidIO II IP core.

5.3.1. Avalon-MM Interface Signals

Signals on Avalon-MM interfaces are in the Avalon system clock domain.

Related Information

[Avalon Interface Specifications](#)

5.3.1.1. Register Access Interface Signals

Table 62. Register Access Avalon-MM Slave Interface Signals

Signal	Direction	Description
ext_mnt_waitrequest	Output	Register Access slave wait request. The RapidIO II IP core uses this signal to stall the requestor on the interconnect.
ext_mnt_read	Input	Register Access slave read request.
ext_mnt_write	Input	Register Access slave write request.
ext_mnt_address[21:0]	Input	Register Access slave address bus. The address is a word address, not a byte address.
ext_mnt_writedata[31:0]	Input	Register Access slave write data bus.
ext_mnt_readdata[31:0]	Output	Register Access slave read data bus.
ext_mnt_readdatavalid	Output	Register Access slave read data valid signal supports variable-latency, pipelined read transfers on this interface.

continued...

Signal	Direction	Description
ext_mnt_readresponse	Output	Register Access read error, which indicates that the read transfer did not complete successfully. This signal is valid only when the ext_mnt_readdatavalid signal is asserted.
std_reg_mnt_irq	Output	Standard registers interrupt request. This interrupt signal is associated with the error conditions registered in the Command and Status Registers (CSRs) and the Error Management Extensions registers.
io_m_mnt_irq	Output	I/O Logical Layer Avalon-MM Master module interrupt signal. This interrupt is associated with the conditions registered in the Input/Output Master Interrupt register at offset 0x103DC.
io_s_mnt_irq	Output	I/O Logical Layer Avalon-MM Slave module interrupt signal. This interrupt signal is associated with the conditions registered in the Input/Output Slave Interrupt register at offset 0x10500.
mnt_mnt_s_irq	Output	Maintenance slave interrupt signal. This interrupt signal is associated with the conditions registered in the Maintenance Interrupt register at offset 0x10080.

The interface supports the following interrupt lines:

- `std_reg_mnt_irq` – when enabled, the interrupts registered in the CSRs and Error Management registers assert the `std_reg_mnt_irq` signal.
- `io_m_mnt_irq` – this interrupt signal reports interrupt conditions related to the I/O Avalon-MM master interface. When enabled, the interrupts registered in the Input/Output Master Interrupt register at offset 0x103DC assert the `io_m_mnt_irq` signal.
- `io_s_mnt_irq` – this interrupt signal reports interrupt conditions related to the I/O Avalon-MM slave interface. When enabled, the interrupts registered in the Input/Output Slave Interrupt register at offset 0x10500 assert the `io_s_mnt_irq` signal.
- `mnt_mnt_s_irq` – this interrupt signal reports interrupt conditions related to the Maintenance interface slave port. When enabled, the interrupts registered in the Maintenance Interrupt register at offset 0x10080 assert the `mnt_mnt_s_irq` signal.

5.3.1.2. Input/Output Avalon-MM Master Interface Signals

Table 63. Input/Output Avalon-MM Master Interface Signals

Signal	Direction	Description
iom_rd_wr_waitrequest	Input	I/O Logical Layer Avalon-MM Master module wait request.
iom_rd_wr_write	Output	I/O Logical Layer Avalon-MM Master module write request.
iom_rd_wr_read	Output	I/O Logical Layer Avalon-MM Master module read request.
iom_rd_wr_address[31:0]	Output	I/O Logical Layer Avalon-MM Master module address bus.
iom_rd_wr_writedata[127:0]	Output	I/O Logical Layer Avalon-MM Master module write data bus.
iom_rd_wr_byteenable[15:0]	Output	I/O Logical Layer Avalon-MM Master module byte enable.
iom_rd_wr_burstcount[4:0]	Output	I/O Logical Layer Avalon-MM Master module burst count.
<i>continued...</i>		



Signal	Direction	Description
iom_rd_wr_readresponse	Input	I/O Logical Layer Avalon-MM Master module read error response.
iom_rd_wr_readdata[127:0]	Input	I/O Logical Layer Avalon-MM Master module read data bus.
iom_rd_wr_readdatavalid	Input	I/O Logical Layer Avalon-MM Master module read data valid.

The I/O Avalon-MM Master module supports an interrupt line, `io_m_mnt_irq`, on the Register Access interface. When enabled, the following interrupts assert the `io_m_mnt_irq` signal:

- Address out of bounds

Related Information

[I/O Master Interrupts](#) on page 188

5.3.1.3. Input/Output Avalon-MM Slave Interface Signals

Table 64. Input/Output Avalon-MM Slave Interface Signals

Signal	Direction	Description
ios_rd_wr_waitrequest	Output	I/O Logical Layer Avalon-MM Slave module wait request.
ios_rd_wr_write	Input	I/O Logical Layer Avalon-MM Slave module write request.
ios_rd_wr_read	Input	I/O Logical Layer Avalon-MM Slave module read request.
ios_rd_wr_address[N:0] for N == 9, 10,..., or 31	Input	I/O Logical Layer Avalon-MM Slave module address bus. The address is a quad-word address, addresses a 16-byte (128-bit) quad-word, not a byte address. You can determine the width of the <code>ios_rd_wr_address</code> bus in the RapidIO II parameter editor.
ios_rd_wr_writedata[127:0]	Input	I/O Logical Layer Avalon-MM Slave module write data bus.
ios_rd_wr_byteenable[15:0]	Input	I/O Logical Layer Avalon-MM Slave module byte enable.
ios_rd_wr_burstcount[4:0]	Input	I/O Logical Layer Avalon-MM Slave module burst count.
ios_rd_wr_readresponse	Output	I/O Logical Layer Avalon-MM Slave module read error response. I/O Logical Layer Avalon-MM Slave module read error. Indicates that the burst read transfer did not complete successfully.
ios_rd_wr_readdata[127:0]	Output	I/O Logical Layer Avalon-MM Slave module read data bus.
ios_rd_wr_readdatavalid	Output	I/O Logical Layer Avalon-MM Slave module read data valid.

The I/O Avalon-MM Slave module supports an interrupt line, `io_s_mnt_irq`, on the Register Access interface. When enabled, the following interrupts assert the `io_s_mnt_irq` signal:

- Read out of bounds
- Write out of bounds
- Invalid write
- Invalid read or write burstcount
- Invalid read or write byteenable value

Related Information

[I/O Slave Interrupts](#) on page 190

5.3.1.4. Maintenance Interface Signals

Table 65. Maintenance Avalon-MM Slave Interface Signals

Signal	Direction	Description
mnt_s_waitrequest	Output	Maintenance slave wait request.
mnt_s_read	Input	Maintenance slave read request.
mnt_s_write	Input	Maintenance slave write request.
mnt_s_address[23:0]	Input	Maintenance slave address bus. The address is a word address, not a byte address.
mnt_s_writedata[31:0]	Input	Maintenance slave write data bus.
mnt_s_readdata[31:0]	Output	Maintenance slave read data bus.
mnt_s_readdatavalid	Output	Maintenance slave read data valid.
mnt_s_readerror	Output	Maintenance slave read error, which indicates that the read transfer did not complete successfully. This signal is valid only when the mnt_s_readdatavalid signal is asserted.

The Maintenance module supports an interrupt line, `mnt_mnt_s_irq`, on the Register Access interface. When enabled, the following interrupts assert the `mnt_mnt_s_irq` signal:

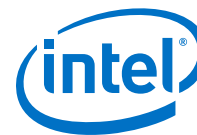
- Received port-write.
- Various error conditions, including a MAINTENANCE read request or MAINTENANCE write request that targets an out-of-bounds address.

Table 66. Maintenance Avalon-MM Master Interface Signals

Signal	Direction	Description
usr_mnt_waitrequest	Input	Maintenance master wait request.
usr_mnt_read	Output	Maintenance master read request.
usr_mnt_write	Output	Maintenance master write request.
usr_mnt_address[31:0]	Output	Maintenance master address bus.
usr_mnt_writedata[31:0]	Output	Maintenance master write data bus.
usr_mnt_readdata[31:0]	Input	Maintenance master read data bus.
usr_mnt_readdatavalid	Input	Maintenance master read data valid.

Related Information

[Maintenance Interrupt Control Registers](#) on page 183



5.3.1.5. Doorbell Module Interface Signals

Table 67. Doorbell Module Interface Signals

Signal	Direction	Description
drbell_s_waitrequest	Output	Doorbell module wait request.
drbell_s_write	Input	Doorbell module write request.
drbell_s_read	Input	Doorbell module read request.
drbell_s_address[3:0]	Input	Doorbell module address bus. The address is a word address, not a byte address.
drbell_s_writedata[31:0]	Input	Doorbell module write data bus.
drbell_s_readdata[31:0]	Output	Doorbell module read data bus.
drbell_s_irq	Output	Doorbell module interrupt.

5.3.2. Avalon-ST Pass-Through Interface Signals

Table 68. Avalon-ST Pass-Through Interface Transmit Side (Avalon-ST Sink) Signals

All of these signals are synchronized with the sys_clk clock.

Signal	Direction	Function
gen_tx_ready	Output	Indicates that the IP core is ready to receive data on the current clock cycle. Asserted by the Avalon-ST sink to mark <i>ready cycles</i> , which are the cycles in which transfers can take place. If ready is asserted on cycle N, the cycle (N+READY_LATENCY) is a ready cycle. In the RapidIO II IP core, READY_LATENCY is equal to 0. This signal may alternate between 0 and 1 when the Avalon-ST pass-through transmitter interface is idle.
gen_tx_valid	Input	Used to qualify all the other transmit side input signals of the Avalon-ST pass-through interface. On every ready cycle in which gen_tx_valid is high, data is sampled by the IP core. You must assert gen_tx_valid continuously during transmission of a packet, from the assertion of gen_tx_startofpacket to the deassertion of gen_tx_endofpacket.
gen_tx_startofpacket	Input	Marks the active cycle containing the start of the packet. The user logic asserts gen_tx_startofpacket and gen_tx_valid to indicate that a packet is available for the IP core to sample.
gen_tx_endofpacket	Input	Marks the active cycle containing the end of the packet.
gen_tx_data[127:0]	Input	A 128-bit wide data bus. Carries the bulk of the information transferred from the source to the sink. The RapidIO II IP core fills in the RapidIO packet ackID field and adds the CRC bits and padding bytes, but otherwise copies the bits from gen_tx_data to the RapidIO packet without modifying them. Therefore, you must pack the appropriate RapidIO packet fields in the correct RapidIO packet format in the most significant

continued...

Signal	Direction	Function
		bits of the <code>gen_tx_data</code> bus, <code>gen_tx_data[127:N]</code> . The total width (127 - N + 1) of the header fields depends on the transaction and the device ID width.
<code>gen_tx_empty[3:0]</code>	Input	This bus identifies the number of empty bytes on the final data transfer of the packet, which occurs during the clock cycle when <code>gen_tx_endofpacket</code> is asserted. The number of empty bytes must always be even.
<code>gen_tx_packet_size[8:0]</code> ⁽²⁵⁾	Input	Indicates the number of valid bytes in the packet being transferred. The IP core samples this signal only while <code>gen_tx_startofpacket</code> is asserted. User logic must ensure this signal is correct while <code>gen_tx_startofpacket</code> is asserted.

Table 69. Avalon-ST Pass-Through Interface Receive Side (Avalon-ST Source) Data Signals

Following are the Avalon-ST pass-through interface receive side payload data signals. The application should sample payload data only when both `gen_rx_pd_ready` and `gen_rx_pd_valid` are asserted.

Signal	Direction	Function
<code>gen_rx_pd_ready</code>	Input	Indicates to the IP core that the user's custom logic is ready to receive data on the current cycle. Asserted by the sink to mark ready cycles, which are cycles in which transfers can occur. If ready is asserted on cycle N, the cycle (N+READY_LATENCY) is a ready cycle. The RapidIO II IP core is designed for READY_LATENCY equal to 0.
<code>gen_rx_pd_valid</code>	Output	Used to qualify all the other output signals of the receive side pass-through interface. On every rising edge of the clock during which <code>gen_rx_pd_valid</code> is high, <code>gen_rx_pd_data</code> can be sampled.
<code>gen_rx_pd_startofpacket</code>	Output	Marks the active cycle containing the start of the packet.
<code>gen_rx_pd_endofpacket</code>	Output	Marks the active cycle containing the end of the packet.
<code>gen_rx_pd_data[127:0]</code>	Output	A 128-bit wide data bus for data payload.
<code>gen_rx_pd_empty[3:0]</code>	Output	This bus identifies the number of empty two-byte segments on the 128-bit wide <code>gen_rx_pd_data</code> bus on the final data transfer of the packet, which occurs during the clock cycle when <code>gen_tx_endofpacket</code> is asserted. This signal is 4 bits wide.

Table 70. Avalon-ST Pass-Through Interface Receive Side (Avalon-ST Source) Header Signals

Following are the Avalon-ST pass-through interface receive side header signals. The application should sample header data only when both `gen_rx_hd_ready` and `gen_rx_hd_valid` are asserted.

Signal	Direction	Function
<code>gen_rx_hd_ready</code>	Input	Indicates to the IP core that the user's custom logic is ready to receive packet header bits on the current clock cycle. Asserted by the sink to mark ready cycles, which are cycles in which transfers
<i>continued...</i>		

⁽²⁵⁾ This signal is not defined in the *Avalon Interface Specifications*. However, it refers to data being transferred on the Avalon-ST sink interface.



Signal	Direction	Function
		can occur. If ready is asserted on cycle N, the cycle (N +READY_LATENCY) is a ready cycle. The RapidIO II IP core is designed for READY_LATENCY equal to 0.
gen_rx_hd_valid	Output	Used to qualify the receive side pass-through interface output header bus. On every rising edge of the clock during which gen_rx_hd_valid is high, gen_rx_hd_data can be sampled.
gen_rx_hd_data[114:0]	Output	A 115-bit wide bus for packet header bits. Data on this bus is valid only when gen_rx_hd_valid is high.

5.3.3. Data Streaming Support Signals

The RapidIO II IP core provides support for your custom implementation of data streaming using the Avalon-ST pass-through interface. In addition to Error Management Extension block signals for user-defined data streaming, the IP core provides dedicated signals to read and write the Data Streaming Logical Layer Control CSR.

Table 71. Data Streaming Support Signals

Signal	Direction	Description
tm_types[3:0]	Output	These output signals reflect the values of the fields with the corresponding names in the Data Streaming Logical Layer Control CSR at offset 0x48.
tm_mode[3:0]	Output	These output signals reflect the values of the fields with the corresponding names in the Data Streaming Logical Layer Control CSR at offset 0x48.
mtu[7:0]	Output	These output signals reflect the values of the fields with the corresponding names in the Data Streaming Logical Layer Control CSR at offset 0x48.
tm_mode_wr	Input	Support user logic in setting the TM_MODE field in the Data Streaming Logical Layer Control CSR at offset 0x48. ⁽²⁶⁾
tm_mode_in[3:0]	Input	Support user logic in setting the TM_MODE field in the Data Streaming Logical Layer Control CSR at offset 0x48. ⁽²⁶⁾
mtu_wr	Input	Support user logic in setting the MTU field in the Data Streaming Logical Layer Control CSR at offset 0x48. ⁽²⁶⁾
mtu_in[7:0]	Input	Support user logic in setting the MTU field in the Data Streaming Logical Layer Control CSR at offset 0x48. ⁽²⁶⁾

5.3.4. Transport Layer Packet and Error Monitoring Signal

Table 72. Transport Layer Packet and Error Monitoring Signal

Signal	Direction	Description
transport_rx_packet_dropped	Output	Pulsed high one Avalon clock cycle when a received packet is dropped by the Transport layer. Examples of packets that are dropped include packets that have an incorrect destination ID,

⁽²⁶⁾ To write to the register field for any of these signal pairs, drive the value on the `_in` signal and then set the `_wr` signal to the value of 1'b1. When the `_wr` signal has the value of 1'b1, on the rising edge of `sys_clk`, the value of the `_in` signal is written directly to the register field.

Signal	Direction	Description
		are of a type not supported by the selected Logical layers, or have a transaction ID outside the range used by the selected Logical layers.

5.4. Error Management Extension Signals

Following signals are added when you enable the Error Management Extensions registers in the RapidIO II parameter editor. All of these signals are clocked in the `sys_clk` clock domain.

Table 73. Error Setting Signals

Signal ⁽²⁷⁾	Direction	Description
<code>io_error_response_set</code>	Input	Support user logic in setting the corresponding fields in the Logical/Transport Layer Error Detect CSR at offset 0x308.
<code>message_error_response_set</code>	Input	Support user logic in setting the corresponding fields in the Logical/Transport Layer Error Detect CSR at offset 0x308.
<code>gsm_error_response_set</code>	Input	Support user logic in setting the corresponding fields in the Logical/Transport Layer Error Detect CSR at offset 0x308.
<code>message_format_error_response_set</code>	Input	Support user logic in setting the corresponding fields in the Logical/Transport Layer Error Detect CSR at offset 0x308.
<code>illegal_transaction_decode_set</code>	Input	Support user logic in setting the corresponding fields in the Logical/Transport Layer Error Detect CSR at offset 0x308.
<code>illegal_transaction_target_error_set</code>	Input	Support user logic in setting the corresponding fields in the Logical/Transport Layer Error Detect CSR at offset 0x308.
<code>message_request_timeout_set</code>	Input	Support user logic in setting the corresponding fields in the Logical/Transport Layer Error Detect CSR at offset 0x308.
<code>slave_packet_response_timeout_set</code>	Input	Support user logic in setting the corresponding fields in the Logical/Transport Layer Error Detect CSR at offset 0x308.
<code>unsolicited_response_set</code>	Input	Support user logic in setting the corresponding fields in the Logical/Transport Layer Error Detect CSR at offset 0x308.
<code>unsupported_transaction_set</code>	Input	Support user logic in setting the corresponding fields in the Logical/Transport Layer Error Detect CSR at offset 0x308.
<code>missing_data_streaming_context_set</code>	Input	Support user logic in setting the corresponding fields in the Logical/Transport Layer Error Detect CSR at offset 0x308.

continued...

(27) If your design does not use one or more of these signals, you should tie the unused signals low.



Signal ⁽²⁷⁾	Direction	Description
open_existing_data_streaming_context_set	Input	Support user logic in setting the corresponding fields in the Logical/Transport Layer Error Detect CSR at offset 0x308.
long_data_streaming_segment_set	Input	Support user logic in setting the corresponding fields in the Logical/Transport Layer Error Detect CSR at offset 0x308.
short_data_streaming_segment_set	Input	Support user logic in setting the corresponding fields in the Logical/Transport Layer Error Detect CSR at offset 0x308.
data_streaming_pdu_length_error_set	Input	Support user logic in setting the corresponding fields in the Logical/Transport Layer Error Detect CSR at offset 0x308.

Table 74. Capture Signals

Signal ⁽²⁸⁾	Direction	Description
external_capture_destinationID_wr	Input	Support user logic in setting the corresponding fields in the Logical/Transport Layer Device ID Capture CSR at offset 0x308.
external_capture_destinationID_in [15:0]	Input	Support user logic in setting the corresponding fields in the Logical/Transport Layer Device ID Capture CSR at offset 0x308.
external_capture_sourceID_wr	Input	Support user logic in setting the corresponding fields in the Logical/Transport Layer Device ID Capture CSR at offset 0x308.
external_capture_sourceID_in [15:0]	Input	Support user logic in setting the corresponding fields in the Logical/Transport Layer Device ID Capture CSR at offset 0x308.
capture_fctype_wr	Input	Support user logic in setting the FCTYPE field in the Logical/Transport Layer Control Capture CSR at offset 0x308
capture_fctype_in[3:0]	Input	Support user logic in setting the FCTYPE field in the Logical/Transport Layer Control Capture CSR at offset 0x308
capture_ttype_wr	Input	Support user logic in setting the TTYPE field in the Logical/Transport Layer Control Capture CSR at offset 0x308
capture_ttype_in[3:0]	Input	Support user logic in setting the TTYPE field in the Logical/Transport Layer Control Capture CSR at offset 0x308

continued...

(27) If your design does not use one or more of these signals, you should tie the unused signals low.

- (28)
- To write to the register field for any of these signal pairs, drive the value on the `_in` signal and then set the `_wr` signal to the value of 1'b1. When the `_wr` signal has the value of 1'b1, on the rising edge of `sys_clk`, the value of the `_in` signal is written directly to the register field.
 - To ensure the signals are captured as required by the Error Management Extensions block, you must assert the `_wr` signal for each of these signals at the same time you assert the relevant Error Setting Signal.



Signal ⁽²⁸⁾	Direction	Description
letter_wr	Input	Support user logic in setting bits [3:0] of the MSG_INFO field in the Logical/Transport Layer Control Capture CSR at offset 0x308. The two signal pairs write to distinct bits and can be written simultaneously.
letter_in[1:0]	Input	Support user logic in setting bits [3:0] of the MSG_INFO field in the Logical/Transport Layer Control Capture CSR at offset 0x308. The two signal pairs write to distinct bits and can be written simultaneously.
mbox_wr	Input	Support user logic in setting bits [3:0] of the MSG_INFO field in the Logical/Transport Layer Control Capture CSR at offset 0x308. The two signal pairs write to distinct bits and can be written simultaneously.
mbox_in[1:0]	Input	Support user logic in setting bits [3:0] of the MSG_INFO field in the Logical/Transport Layer Control Capture CSR at offset 0x308. The two signal pairs write to distinct bits and can be written simultaneously.
msgseg_wr	Input	Support user logic in setting bits [7:4] of the the MSG_INFO field in the Logical/Transport Layer Control Capture CSR at offset 0x308. The two signal pairs write to the same register bits. The value of msgseg_wr is written to MSG_INFO[7:4] when msgseg_wr has the value of 1'b1, irrespective of the value of xmailbox_wr.
msgseg_in[3:0]	Input	Support user logic in setting bits [7:4] of the the MSG_INFO field in the Logical/Transport Layer Control Capture CSR at offset 0x308. The two signal pairs write to the same register bits.
xmailbox_wr	Input	Support user logic in setting bits [7:4] of the the MSG_INFO field in the Logical/Transport Layer Control Capture CSR at offset 0x308. The two signal pairs write to the same register bits.
xmailbox_in[3:0]	Input	Support user logic in setting bits [7:4] of the the MSG_INFO field in the Logical/Transport Layer Control Capture CSR at offset 0x308. The two signal pairs write to the same register bits. The value of xmailbox_in is written to MSG_INFO[7:4] only when xmailbox_wr has the value of 1'b1 and msgseg_wr has the value of 1'b0.

- (28)
- To write to the register field for any of these signal pairs, drive the value on the `_in` signal and then set the `_wr` signal to the value of 1'b1. When the `_wr` signal has the value of 1'b1, on the rising edge of `sys_clk`, the value of the `_in` signal is written directly to the register field.
 - To ensure the signals are captured as required by the Error Management Extensions block, you must assert the `_wr` signal for each of these signals at the same time you assert the relevant Error Setting Signal.



5.4.1. Error Reporting Signals

Table 75. Error Reporting Signals

Signal	Direction	Description
logical_transport_error	Output	Asserted when an error is logged in the Logical/Transport Layer Error Detect CSR at offset 0x308, and this error is enabled for reporting in the Logical/Transport Layer Error Enable CSR at offset 0x30C. If the LOG_TRANS_ERR_IRQ_EN bit in the Port 0 Control CSR at offset 0x15C has the value of 1'b1 when this signal is raised, the RapidIO II IP core asserts the std_reg_mnt_irq interrupt signal. This signal remains asserted until the Logical/Transport Layer Error Detect CSR at offset 0x308 is unlocked by user logic writing the value of 0 to the register.
port_failed	Output	This signal is available to report link status to the system host. The signal is asserted when the Error Rate Failed Threshold trigger ERR_RATE_FAILED_THRESHOLD field of the Port 0 Error Rate Threshold CSR at offset 0x36C is enabled (is non-zero) and this value is reached. If the PORT_FAIL_IRQ_EN bit in the Port 0 Control CSR at offset 0x15C has the value of 1'b1 when this signal is raised, the RapidIO II IP core asserts the std_reg_mnt_irq interrupt signal.
port_degraded	Output	This signal is available to report link status to the system host. The signal is asserted when the Error Rate Degraded Threshold trigger ERR_RATE_DEGR_THRESHOLD field of the Port 0 Error Rate Threshold CSR at offset 0x36C is enabled (is non-zero) and this value is reached. If the PORT_DEGR_IRQ_EN bit in the Port 0 Control CSR at offset 0x15C has the value of 1'b1 when this signal is raised, the RapidIO II IP core asserts the std_reg_mnt_irq interrupt signal.

6. Software Interface

The RapidIO II IP core supports the following sets of registers that control the RapidIO II IP core or query its status:

- Standard RapidIO capability registers — CARs
- Standard RapidIO command and status registers — CSRs
- Extended features registers
- Implementation defined registers
- Doorbell specific registers

Some of these register sets are supported by specific RapidIO II IP core layers only. This chapter organizes the registers by the layers they support. The Physical layer registers are described first, followed by the Transport and Logical layers registers.

All of the registers are 32 bits wide and are shown as hexadecimal values. The registers can be accessed only on a 32-bit (4-byte) basis. The addressing for the registers therefore increments by units of 4.

Note: Reserved fields are labeled in the register tables. These fields are reserved for future use and your design should not write nor rely on a specific value being found in any reserved field or bit.

The following sets of registers are accessible through the Register Access Avalon-MM slave interface:

- CARs — Capability registers
- CSRs — Command and status registers
- Extended features registers
- Implementation defined registers

A remote device can access these registers only by issuing read/write MAINTENANCE operations destined for the local device. The RapidIO II IP core routes read/write MAINTENANCE requests that address the IP core registers internally.

The doorbell registers can be accessed through the Doorbell Avalon-MM slave interface. These registers are implemented only if you turn on **Enable Doorbell support** in the RapidIO II parameter editor.

Table 76. Register Access Codes

Code	Description
RW	Read/write
RO	Read-only
<i>continued...</i>	



Code	Description
RC	Read to clear
RW1C	Read/Write 1 to clear
UR0	Unused bits/read as 0

6.1. Memory Map

Table 77. RapidIO II IP Core Memory Map Ranges

Address Range	Name	Module
0x00 – 0x3C	Capability registers (CARs)	Standard registers
0x40 – 0x6F	Command and Status registers (CSRs)	Standard registers
0x100 – 0x15F	LP-Serial Extended Features block	Physical layer
0x200 – 0x27F	LP-Serial Lane Extended Features block	Physical layer
0x300 – 0x36F	Error Management Extensions Extended Features block	Standard registers
Implementation-Defined Space: 0x10080 – 0x107FF		
0x10080 – 0x1029F	Maintenance module registers	Maintenance module
0x10300 – 0x103FC	I/O Logical layer Master module registers	I/O Logical layer Master module
0x10400 – 0x10510	I/O Logical layer Slave module registers	I/O Logical layer Slave module
0x10600 – 0x10624	Doorbell module registers	Doorbell module
0x10700 – 0x107FF	Reserved	

Note: Bit numbering for register fields in the RapidIO II IP core is reversed from the bit numbering in the register descriptions in the *RapidIO Interconnect Specification v2.2*.

Related Information

[RapidIO Specifications](#)

6.1.1. CAR Memory Map

Table 78. CAR Memory Map

Address	Register
0x0	Device Identity
0x4	Device Information
0x8	Assembly Identity
0xC	Assembly Information
0x10	Processing Element Features
0x14	Switch Port Information
0x18	Source Operations

continued...



Address	Register
0x1C	Destination Operations
0x34	Switch Route Table Destination ID Limit
0x3C	Data Streaming Information

Note: The CARs are not used by any of the RapidIO II IP core internal modules. They do not affect the functionality of the RapidIO II IP core. These registers are all Read-Only. Their values are set using the RapidIO II parameter editor when generating the IP core, or with configuration input signals, which should not change value during normal operation. These registers inform either a local processor or a processor on a remote end about the IP core's capabilities.

6.1.2. CSR Memory Map

Table 79. CSR Memory Map

Address	Register
0x48	Data Streaming Logical Layer Control
0x4C	Processing Element Logical Layer Control
0x58	Local Configuration Space Base Address 0
0x5C	Local Configuration Space Base Address 1
0x60	Base Device ID
0x68	Host Base Device ID Lock
0x6c	Component Tag

Note: You must de-assert all IP reset signals and allow link initialization to access the Command and Status Register (CSR) block.

6.1.3. LP-Serial Extended Features Block Memory Map

Table 80. LP-Serial Extended Features Block Memory Map

Address	Register
0x100	LP-Serial Register Block Header
0x104 - 0x11C	Reserved
0x120	Port Link Time-out Control
0x124	Port Response Time-out Control
0x13C	Port General Control
0x140	Port 0 Link Maintenance Request
0x144	Port 0 Link Maintenance Response
0x148	Port 0 Local AckID
0x14C - 0x150	Reserved

continued...



Address	Register
0x154	Port 0 Control 2
0x158	Port 0 Error and Status
0x15C	Port 0 Control

6.1.4. LP-Serial Lane Extended Features Block Memory Map

Table 81. CSR Memory Map

Address	Register
0x200	LP-Serial Lane Register Block Header
0x210	Lane 0 Status 0 (Local)
0x214	Lane 0 Status 1 (Far-End)
0x218	Lane 0 Status 2 (Interrupt Enable)
0x21C	Lane 0 Status 3 (Received CS Field Commands)
0x220	Lane 0 Status 4 (Outgoing CS Field)
0x230 - 0x280	Lane 1-3 Status

6.1.5. Error Management Extensions Extended Features Block Memory Map

Table 82. Error Management Extensions Extended Features Block Memory Map

Address	Register
0x300	Error Management Extensions Block Header
0x304	Reserved
0x308	Logical/Transport Layer Error Detect
0x30C	Logical/Transport Layer Error Enable
0x310	Logical/Transport Layer High Address Capture Reserved — RapidIO II IP core has only 34-bit RapidIO addressing.
0x314	Logical/Transport Layer Address Capture
0x318	Logical/Transport Layer Device ID Capture
0x31C	Logical/Transport Layer Control Capture
0x320 - 0x324	Reserved
0x328	Port-Write Target Device ID
0x32C	Packet Time-to-Live
0x330-0x33C	Reserved
0x340	Port 0 Error Detect
0x344	Port 0 Error Rate Enable
0x348	Port 0 Attributes Capture
<i>continued...</i>	



Address	Register
0x34C	Port 0 Packet/Control Symbol Capture 0
0x350	Port 0 Packet Capture 1
0x354	Port 0 Packet Capture 2
0x358	Port 0 Packet Capture 3
0x35C - 0x364	Reserved
0x368	Port 0 Error Rate
0x36C	Port 0 Error Rate Threshold

6.1.6. Maintenance Module Registers Memory Map

Table 83. Maintenance Module Registers Memory Map

Address	Register
0x10080	Maintenance Interrupt
0x10084	Maintenance Interrupt Enable
0x10088 - 0x100FC	Reserved
0x10100	Tx Maintenance Window 0 Base
0x10104	Tx Maintenance Window 0 Mask
0x10108	Tx Maintenance Window 0 Offset
0x1010C	Tx Maintenance Window 0 Control
0x10110 - 0x1011C	Tx Maintenance Windows 1
0x10200	Tx Port Write Control
0x10204	Tx Port Write Status
0x10210 - 0x1024C	Tx Port Write Buffer
0x10250	Rx Port Write Control
0x10254	Rx Port Write Status
0x10260 - 0x1029C	Rx Port Write Buffer
0x102A0 - 0x102FC	Reserved

6.1.7. I/O Logical Layer Master Module Registers Memory Map

Table 84. I/O Logical layer Master Module Registers Memory Map

Address	Register
0x10300	I/O Master Window 0 Base
0x10304	I/O Master Window 0 Mask
0x10308	I/O Master Window 0 Offset
0x1030C	Reserved

continued...



Address	Register
0x10310 – 0x103F8 (with gaps)	I/O Master Windows 1-15
0x103DC	I/O Master Interrupt
0x103FC	I/O Master Interrupt Enable

6.1.8. I/O Logical Layer Slave Module Registers Memory Map

Table 85. I/O Logical layer Slave Module Registers Memory Map

Address	Register
0x10400	I/O Slave Window 0 Base
0x10404	I/O Slave Window 0 Mask
0x10408	I/O Slave Window 0 Offset
0x1040C	I/O Slave Window 0 Control
0x10410 - 0x104FC	I/O Slave Windows 1-15
0x10500	I/O Slave Interrupt
0x10504	I/O Slave Interrupt Enable
0x10508	I/O Slave Pending NWRITE_R Transactions
0x1050C	I/O Slave Avalon-MM Write Transactions
0x10510	I/O Slave RapidIO Write Requests

6.1.9. Doorbell Module Registers Memory Map

Table 86. Doorbell Module Registers Memory Map

Address	Register
0x10600	Rx Doorbell
0x10604	Rx Doorbell Status
0x10608	Tx Doorbell Control
0x1060C	Tx Doorbell
0x10610	Tx Doorbell Status
0x10614	Tx Doorbell Completion
0x10618	Tx Doorbell Completion Status
0x1061C	Tx Doorbell Status Control
0x10620	Doorbell Interrupt Enable
0x10624	Doorbell Interrupt Status

6.2. Physical Layer Registers

The RapidIO II IP core implements the following Physical layer registers in Extended Features space:

- All of the LP-Serial Extended Features block registers.
- The LP-Serial Lane Extended Features block for up to four lanes, including three implementation-specific registers per lane.

The LP-Serial Lane Extended Features block implementation-specific registers support software-driven control of transmitter pre-emphasis for both the local and remote ends of the RapidIO link.

6.2.1. LP-Serial Extended Features Block Memory Map

Table 87. LP-Serial Extended Features Block Memory Map

Address	Register
0x100	LP-Serial Register Block Header
0x104 - 0x11C	Reserved
0x120	Port Link Time-out Control
0x124	Port Response Time-out Control
0x13C	Port General Control
0x140	Port 0 Link Maintenance Request
0x144	Port 0 Link Maintenance Response
0x148	Port 0 Local AckID
0x14C - 0x150	Reserved
0x154	Port 0 Control 2
0x158	Port 0 Error and Status
0x15C	Port 0 Control

6.2.1.1. LP-Serial Register Block Header

Table 88. LP-Serial Register Block Header — 0x100

Field	Bits	Access	Function	Default
EF_PTR	[31:16]	RO	Hard-wired pointer to the next block in the data structure. The value in this field is the address of the LP-Serial Lane Extended Features block, which is 0x200.	16'h0200
EF_ID	[15:0]	RO	Hard-wired extended features ID.	16'h0200

6.2.1.2. Port Link Time-out Control CSR

Table 89. Port Link Time-Out Control CSR — 0x120

Field	Bits	Access	Function	Default
VALUE	[31:8]	RW	Time-out interval value for link-layer event pairs such as the time interval between sending a packet and receiving the corresponding acknowledge control symbol, or between sending a link-request and receiving the corresponding link-response. The	24'hFF_FFFF
				<i>continued...</i>



Field	Bits	Access	Function	Default
			duration of the link-response time-out is approximately equal to 4.5 seconds multiplied by the contents of this field, divided by $(2^{24} - 1)$.	
RSRV	[7:0]	UR0	Reserved.	8'h0

6.2.1.3. Port Response Time-out Control CSR

Table 90. Port Response Time-Out Control CSR – 0x124

Field	Bits	Access	Function	Default
VALUE	[31:8]	RW	<p>Time-out internal value for request-response pairs: the time interval between sending a request packet and receiving the corresponding response packet. The duration of the port response time-out for all transactions that require a response, including MAINTENANCE, DOORBELL, NWRITE_R, and NREAD transactions, is approximately equal to 4.5 seconds multiplied by the contents of this field, divided by $(2^{24} - 1)$.</p> <ul style="list-style-type: none"> A new value in this field might not propagate quickly enough to be applied to the next transaction. <p><i>Note:</i></p> <ul style="list-style-type: none"> Avoid changing the value in this field when any packet is waiting to be transmitted or waiting for a response, to ensure that in each FIFO, the pending entries all have the same time-out value. 	24'hFF_FFF F
RSRV	[7:0]	UR0	Reserved.	8'h0

6.2.1.4. Port General Control CSR

Table 91. Port General Control – 0x13C

Field	Bits	Access	Function	Default
HOST	[31]	RW	<p>A host device is a device that is responsible for system exploration, initialization, and maintenance. Host devices typically initialize agent or slave devices.</p> <ul style="list-style-type: none"> 1'b0 - agent or slave device 1'b1 - host device <p>This field is for software use only. Its value has no effect on hardware.</p>	(29)
ENA	[30]	RW	<p>The Master Enable bit controls whether or not a device is allowed to issue requests to the system. If Master Enable is not set, the device may only respond to requests.</p> <ul style="list-style-type: none"> 1'b0 - The processing element cannot issue requests 1'b1 - The processing element can issue requests 	(29)
DISCOVER	[29]	RW	<p>This device has been located by the processing element responsible for system configuration.</p> <ul style="list-style-type: none"> 1'b0 - The device has not been previously discovered 1'b1 - The device has been discovered by another processing element <p>This field is for software use only. Its value has no effect on hardware.</p>	(29)
RSRV	[28:0]	RO	Reserved	29'b0

(29) The reset value of this field is set in the RapidIO II parameter editor.

6.2.1.5. Port 0 Link Maintenance Request CSR

Table 92. Port 0 Link Maintenance Request CSR — 0x140

Field	Bits	Access	Function	Default
RSRV	[31:3]	RO	Reserved	29'b0
COMMAND	[2:0]	RW	<p>Command to be sent in a link-request control symbol. When a valid value is written to this field, the RapidIO II IP core generates a link-request control symbol with the specified command. The IP core does not generate a link-request control symbol when an invalid value is written. The following values are valid:</p> <ul style="list-style-type: none"> 3'b011: reset-device 3'b100: input-status 	3'b000

6.2.1.6. Port 0 Link Maintenance Response CSR

Table 93. Port 0 Link Maintenance Response CSR — 0x144

Field	Bits	Access	Function	Default
RESPONSE_VALID	[31]	RO, RC	Value is the status of the most recent link-request control symbol this RapidIO II IP core sent on the RapidIO link. If the link-request control symbol is a link-request input-status control symbol, this bit, if set, indicates that the link-response control symbol has been received and the status fields in this register are valid. If the link-request control symbol is a link-request reset-device control symbol, this bit, if set, indicates that the link-request was transmitted. This bit automatically clears in response to a read operation.	1'b0
RSRV	[30:11]	RO	Reserved.	20'b0
ACKID_STATUS	[10:5]	RO	Value of the ackID_status field in the link-response control symbol. This field holds the value of the next expected ackID.	6'b0
PORT_STATUS	[4:0]	RO	Value of the port-status field in the link-response control symbol.	5'b0

6.2.1.7. Port 0 Local AckID CSR

Table 94. Port 0 Local AckID CSR — 0x148

Field	Bits	Access	Function	Default
CLR_OUTSTANDING_ACKIDS	[31]	RW	Writing 1 to this bit causes the RapidIO II IP core to discard all outstanding unacknowledged packets. Reading this bit always returns the value of 0. Software can write a 1 to this bit when attempting to recover a failed link.	1'b0
RSRV	[30]	RO	Reserved.	1'b0
INBOUND_ACKID	[29:24]	RO	Next expected packet ackID.	6'b0
RSRV	[23:14]	RO	Reserved.	10'b0

continued...



Field	Bits	Access	Function	Default
OUTSTANDING_ACKID	[13:8]	RO	Next expected acknowledge control-symbol ackID. When you write to the OUTBOUND_ACKID field, the IP core sets the OUTSTANDING_ACKID field to the same value.	6'b0
RSRV	[7:6]	RO	Reserved.	2'b0
OUTBOUND_ACKID	[5:0]	RW	Next transmitted packet ackID. Writing a value to this field sets the OUTSTANDING_ACKID field to the same value. Software can write to this field to force retransmission of outstanding unacknowledged packets in order to manually implement error recovery.	6'b0

6.2.1.8. Port 0 Control 2 CSR

Table 95. Port 0 Control 2 CSR – 0x154

Field	Bits	Access	Function	Default
SELECTED_BAUD_RATE	[31:28]	RO	The baud rate at which the port is initialized. Valid values are: <ul style="list-style-type: none"> 4'b0000: No baud rate selected 4'b0001: 1.25 Gbaud 4'b0010: 2.5 Gbaud 4'b0011: 3.125 Gbaud 4'b0100: 5.0 Gbaud 4'b0101: 6.25 Gbaud All other values are reserved. The RapidIO II IP core operates at the highest supported and enabled baud rate.	4'b0
BD_RT_DISCOVERY_SUPPORT	[27]	RO	Indicates whether the RapidIO implementation supports automatic baud-rate discovery. The RapidIO II IP core does not support automatic baud-rate discovery, so this field always has the value of 0.	1'b0
BD_RT_DISCOVERY_ENABLE	[26]	RO	Controls whether automatic baud-rate discovery is enabled in the RapidIO implementation. The RapidIO II IP core does not support automatic baud-rate discovery, so this field always has the value of 0.	1'b0
1.25_GB_SUPPORT	[25]	RO	Indicates whether the RapidIO II IP core supports port operation at 1.25 Gbaud. The IP core supports all baud rates that are equal or slower than the value of the Maximum baud rate parameter, because if you turn on Enable transceiver dynamic reconfiguration in the parameter editor, you can reconfigure the transceivers to set the baud rate to a lower frequency than the Maximum baud rate value. <ul style="list-style-type: none"> 1'b0: The IP core does not support 1.25 Gbaud operation. 1'b1: The IP core supports 1.25 Gbaud operation. 	(30)
1.25_GB_ENABLE	[24]	RW	Indicates whether the current data rate of the IP core is 1.25 Gbaud. The default value of this field is the value of the Maximum baud rate parameter. However, you can reconfigure the device transceivers to change the IP core data rate to a slower data rate.	(31)

continued...

(30) The value of the <Gbaud rate>_GB_SUPPORT fields is determined by the value of the **Maximum baud rate** parameter. For baud rates equal or slower than the Gbaud rate specified in the parameter, the value of <Gbaud rate>_GB_SUPPORT is 1'b1. For baud rates faster than the Gbaud rate specified in the parameter, the value of <Gbaud rate>_GB_SUPPORT is 1'b0.



Field	Bits	Access	Function	Default
			<ul style="list-style-type: none"> 1'b0: The current IP core data rate is not 1.25 Gbaud. 1'b1: The current IP core data rate is 1.25 Gbaud. This field can only have this value if 1.25_GB_SUPPORT has the value of 1. 	
2.5_GB_SUPPORT	[23]	RO	<p>Indicates whether the RapidIO II IP core supports port operation at 2.5 Gbaud. The IP core supports all baud rates that are equal or slower than the value of the Maximum baud rate parameter, because if you turn on Enable transceiver dynamic reconfiguration in the parameter editor, you can reconfigure the transceivers to set the baud rate to a lower frequency than the Maximum baud rate value.</p> <ul style="list-style-type: none"> 1'b0: The IP core does not support 2.5 Gbaud operation. 1'b1: The IP core supports 2.5 Gbaud operation. 	(30)
2.5_GB_ENABLE	[22]	RW	<p>Indicates whether the current data rate of the IP core is 2.5 Gbaud. The default value of this field is the value of the Maximum baud rate parameter. However, you can reconfigure the device transceivers to change the IP core data rate to a slower data rate.</p> <ul style="list-style-type: none"> 1'b0: The current IP core data rate is not 2.5 Gbaud. 1'b1: The current IP core data rate is 2.5 Gbaud. This field can only have this value if 2.5_GB_SUPPORT has the value of 1. 	(31)
3.125_GB_SUPPORT	[21]	RO	<p>Indicates whether the RapidIO II IP core supports port operation at 3.125 Gbaud. The IP core supports all baud rates that are equal or slower than the value of the Maximum baud rate parameter, because if you turn on Enable transceiver dynamic reconfiguration in the parameter editor, you can reconfigure the transceivers to set the baud rate to a lower frequency than the Maximum baud rate value.</p> <ul style="list-style-type: none"> 1'b0: The IP core does not support 3.125 Gbaud operation. 1'b1: The IP core supports 3.125 Gbaud operation. 	(30)
3.125_GB_ENABLE	[20]	RW	<p>Indicates whether the current data rate of the IP core is 3.125 Gbaud. The default value of this field is the value of the Maximum baud rate parameter. However, you can reconfigure the device transceivers to change the IP core data rate to a slower data rate.</p> <ul style="list-style-type: none"> 1'b0: The current IP core data rate is not 3.125 Gbaud. 1'b1: The current IP core data rate is 3.125 Gbaud. This field can only have this value if 3.125_GB_SUPPORT has the value of 1. 	(31)
5.0_GB_SUPPORT	[19]	RO	<p>Indicates whether the RapidIO II IP core supports port operation at 5.0 Gbaud. The IP core supports all baud rates that are equal or slower than the value of the Maximum baud rate parameter, because if you turn on Enable transceiver dynamic reconfiguration in the parameter editor, you can reconfigure the transceivers to set the baud rate to a lower frequency than the Maximum baud rate value.</p> <ul style="list-style-type: none"> 1'b0: The IP core does not support 5.0 Gbaud operation. 1'b1: The IP core supports 5.0 Gbaud operation. 	(30)
5.0_GB_ENABLE	[18]	RW	<p>Indicates whether the current data rate of the IP core is 5.0 Gbaud. The default value of this field is the value of the Maximum baud rate parameter. However, you can reconfigure the device transceivers to change the IP core data rate to a slower data rate.</p>	(31)

continued...

(31) The value of the <Gbaud rate>_GB_ENABLE fields is the current data rate of the IP core. The default value of this field is the value of the **Maximum baud rate** parameter. If you turn on **Enable transceiver dynamic reconfiguration** in the parameter editor, you can reconfigure your IP core to a baud rates equal or slower than the Gbaud rate specified in the parameter, by reconfiguring the device transceivers.



Field	Bits	Access	Function	Default
			<ul style="list-style-type: none"> 1'b0: The current IP core data rate is not 5.0 Gbaud. 1'b1: The current IP core data rate is 5.0 Gbaud. This field can only have this value if 5.0_GB_SUPPORT has the value of 1. 	
6.25_GB_SUPPORT	[17]	RO	<p>Indicates whether the RapidIO II IP core supports port operation at 6.25 Gbaud. The IP core supports all baud rates that are equal or slower than the value of the Maximum baud rate parameter, because if you turn on Enable transceiver dynamic reconfiguration in the parameter editor, you can reconfigure the transceivers to set the baud rate to a lower frequency than the Maximum baud rate value.</p> <ul style="list-style-type: none"> 1'b0: The IP core does not support 6.25 Gbaud operation. 1'b1: The IP core supports 6.25 Gbaud operation. 	(30)
6.25_GB_ENABLE	[16]	RW	<p>Indicates whether the current data rate of the IP core is 6.25 Gbaud. The default value of this field is the value of the Maximum baud rate parameter. However, you can reconfigure the device transceivers to change the IP core data rate to a slower data rate.</p> <ul style="list-style-type: none"> 1'b0: The current IP core data rate is not 6.25 Gbaud. 1'b1: The current IP core data rate is 6.25 Gbaud. This field can only have this value if 6.25_GB_SUPPORT has the value of 1. 	(31)
RSRV	[15:4]	RO	Reserved.	12'b0
INACTIVE_LNS_EN	[3]	RO	Indicates whether the RapidIO implementation supports enabling inactive lanes for testing. The RapidIO II IP core does not support enabling inactive lanes for testing, so this bit always has the value of 0.	1'b0
DATA_SCRMBL_DIS	[2]	RW	<p>Indicates whether data scrambling is disabled.</p> <ul style="list-style-type: none"> 1'b0: The transmit scrambler and the receive descrambler are enabled. 1'b1: The transmit scrambler and the receive descrambler are disabled. However, the transmit scrambler remains enabled for the generation of pseudo-random data characters for the IDLE2 random data field. <p>This bit is for test use only. Do not assert this bit during normal operation.</p>	1'b0
REMOTE_TX_EMPH_SUPPORT	[1]	RO	<p>Indicates whether the port can transmit commands to control the transmit emphasis in the connected port.</p> <ul style="list-style-type: none"> 1'b0: The port does not support adjusting the transmit emphasis in the connected port. 1'b1: The port supports adjusting the transmit emphasis in the connected port. 	1'b1
REMOTE_TX_EMPH_ENABLE	[0]	RO	<p>Indicates whether the port may transmit commands to control the transmit emphasis in the connected port.</p> <ul style="list-style-type: none"> 1'b0: Adjusting the transmit emphasis in the connected port is disabled in this port. 1'b1: Adjusting the transmit emphasis in the connected port is enabled in this port. This field can only have this value if REMOTE_TX_EMPH_SUPPORT has the value of 1. 	1'b1

6.2.1.9. Port 0 Error and Status CSR

Table 96. Port 0 Error and Status CSR — 0x158

Field	Bits	Access	Function	Default
IDLE2_SUPPORT	[31]	RO	Indicates whether the port supports the IDLE2 sequence for baud rates of 5.0 and below.	1'b1

continued...



Field	Bits	Access	Function	Default
			<ul style="list-style-type: none"> 1'b0: Port does not support the IDLE2 sequence for baud rates of 5.0 and below. 1'b1: Port supports the IDLE2 sequence for baud rates of 5.0 and below. <p>The RapidIO II IP core currently supports only the IDLE2 sequence, so this bit always has the value of 1.</p>	
IDLE2_ENAB LE	[30]	RO	<p>Indicates whether the IDLE2 sequence is enabled in the RapidIO implementation for baud rates of 5.0 and below.</p> <ul style="list-style-type: none"> 1'b0: The IDLE2 sequence is disabled for baud rates of 5.0 and below. 1'b1: The IDLE2 sequence is enabled for baud rates of 5.0 and below. <p>The RapidIO II IP core currently supports only the IDLE2 sequence, so this bit always has the value of 1.</p>	1'b1
IDLE_SEQUEN CE	[29]	RO	<p>Indicates which Idle control symbol is active.</p> <ul style="list-style-type: none"> 1'b0: IP core uses IDLE1 control symbols. 1'b1: IP core uses IDLE2 control symbols. <p>The RapidIO II IP core currently supports only the IDLE2 sequence, so this bit always has the value of 1.</p>	1'b1
RSRV	[28]	RO	Reserved.	1'b0
FLOW_CTRL_M ODE	[27]	RO	<p>Indicates which flow control mode is active.</p> <ul style="list-style-type: none"> 1'b0: Receiver-controlled flow control is active. 1'b1: Transmitter-controlled flow control is active. 	1'b0
OUT_PKT_DRO PD	[26]	RW1C	Output port has discarded a packet because the failed error threshold in the Port 0 Error Rate Threshold register has been reached. After it is set, this bit is cleared only when software writes the value of 1 to it.	1'b0
OUT_FAIL_EN C	[25]	RW1C	Output port has encountered a failed condition: the failed error threshold in the Port 0 Error Rate Threshold register has been reached. After it is set, this bit is cleared only when software writes the value of 1 to it.	1'b0
OUT_DGRD_EN C	[24]	RW1C	Output port has encountered a degraded condition: the degraded error threshold in the Port 0 Error Rate Threshold register has been reached. After it is set, this bit is cleared only when software writes the value of 1 to it.	1'b0
RSRV	[23:21]	RO	Reserved.	3'b0
OUT_RTY_ENC	[20]	RW1C	Output port has encountered a retry condition. In all cases, this condition is caused by the port receiving a packet-retry control symbol. This bit is set if the OUT_RTY_STOP bit is set.	1'b0
OUT_RETRIED	[19]	RO	Output port has received a packet-retry control symbol and cannot make forward progress. This bit is cleared when a packet-accepted or packet-not-accepted control symbol is received.	1'b0
OUT_RTY_STO P	[18]	RO	Indicates that the output port is in the <i>Output Retry Stopped</i> state. Output port has been stopped due to a retry and is trying to recover. When a port receives a packet_retry control symbol, it enters the <i>Output Retry Stopped</i> state. In this state, the port transmits a restart-from-retry control symbol to its link partner. The link partner exits the <i>Input Retry Stopped</i> state and normal operation resumes. The port exits the <i>Output Retry Stopped</i> state.	1'b0

continued...



Field	Bits	Access	Function	Default
OUT_ERR_ENC	[17]	RW1C	Output port has encountered a transmission error and has possibly recovered from it. This bit is set when the OUT_ERR_STOP bit is set. After it is set, this bit is cleared only when software writes the value of 1 to it.	1'b0
OUT_ERR_STOP	[16]	RO	Indicates that the output port is in the <i>Output Error Stopped</i> state. Output port has been stopped due to a transmission error and is trying to recover. The following conditions cause the output port to enter this state: <ul style="list-style-type: none"> Received an unexpected packet-accepted control symbol Received an unexpected packet-retry control symbol Received a packet-not-accepted control symbol To exit from this state, the port issues an input-status link-request/input-status (restart-from-error) control symbol. The port waits for the link-response control symbol and exits the <i>Output Error Stopped</i> state.	1'b0
RSRV	[15:11]	RO	Reserved.	5'b0
IN_RTY_STOP	[10]	RO	Input port is stopped due to a retry. This bit is set when the input port is in the <i>Input Retry Stopped</i> state. When the receiver issues a packet-retry control symbol to its link partner, it enters the <i>Input Retry Stopped</i> state. The receiver issues a packet-retry when sufficient buffer space is not available to accept the packet for that specific priority. The receiver continues in the <i>Input Retry Stopped</i> state until it receives a restart-from-retry control symbol.	1'b0
IN_ERR_ENC	[9]	RW1C	Input port has encountered a transmission error. This bit is set if the IN_ERR_STOP bit is set. After it is set, this bit is cleared only when software writes the value of 1 to it.	1'b0
IN_ERR_STOP	[8]	RO	Input port is stopped due to a transmission error. The port is in the <i>Input Error Stopped</i> state. The following conditions cause the input port to transition to this state: <ul style="list-style-type: none"> Cancellation of a packet by using the restart-from-retry control symbol. Invalid character or valid character that does not belong in an idle sequence. Single bit transmission errors. Any of the following link protocol violations: <ul style="list-style-type: none"> Acknowledgment control symbol with an unexpected packet_ackID Link time-out while waiting for an acknowledgment control symbol Corrupted control symbols, that is, CRC violations on the symbol. Any of the following Packet Errors: <ul style="list-style-type: none"> Unexpected ackID value Incorrect CRC value Invalid characters or valid non-data characters Max data payload violations The recovery mechanism consists of these steps: <ol style="list-style-type: none"> Issue a packet-not-accepted control symbol. Wait for link-request/input-status control symbol. Send link-response control symbol. 	1'b0
RSRV	[7:5]	RO	Reserved.	3'b0
PWRITE_PEND	[4]	RO	This register is not implemented and is reserved. The RapidIO II IP core does not automatically issue Port-write requests, so this bit always has the value of zero.	1'b0

continued...

Field	Bits	Access	Function	Default
PORT_UNAVAIL	[3]	RO	Indicates whether the port is available. This port is always available, so this bit always has the value of 0.	1'b0
PORT_ERR	[2]	RW1C	<p>This bit is set if the input port error recovery state machine encounters an unrecoverable error or the output port error recovery state machine enters the <i>fatal_error</i> state. The input port error recovery state machine encounters an unrecoverable error if it times out while waiting for a <i>link-request</i> after sending a <i>packet-not-accepted</i> control symbol. The output port error recovery state machine enters the <i>fatal_error</i> state if the following sequence of events occurs:</p> <ol style="list-style-type: none"> The output port error recovery state machine enters the <i>stop_output</i> state when it receives a <i>packet-not-accepted</i> control symbol. In response, it sends the <i>input-status link-request/input-status (restart-from-error)</i> control symbol. One of the following events occurs in response to the <i>link-request</i> control symbol: <ul style="list-style-type: none"> If the <i>link-response</i> is received but the <i>ackID</i> is outside of the outstanding <i>ackID</i> set, then the output port error recovery state machine enters the <i>fatal_error</i> state. If the port times out before receiving <i>link-response</i>, for seven attempts to send a <i>link-request</i>, then the output port error recovery state machine enters the <i>fatal_error</i> state. <p>When the <i>PORT_ERR</i> bit is set, software determines the behavior of the RapidIO II IP core. After it is set, this bit is cleared only when software writes the value of 1 to it. The <i>port_error</i> output signal mirrors this register bit.</p>	1'b0
PORT_OK	[1]	RO	Input and output ports are initialized and can communicate with the adjacent device. This bit is asserted when the link is initialized. The value in this field appears on the <i>port_ok</i> output signal.	1'b0
PORT_UNINIT	[0]	RO	Input and output ports are not initialized and are in training mode. This bit and the <i>PORT_OK</i> bit are mutually exclusive: at any time, at most one of them can be asserted. The RapidIO II IP core deasserts this bit when the port is initialized.	1'b1

6.2.1.10. Port 0 Control CSR

Table 97. Port 0 Control CSR – 0x15C

Field	Bits	Access	Function	Default
PORT_WIDTH	[31:30]	RO	<p>Together with the <i>EXTENDED_PORT_WIDTH</i> field, indicates the hardware widths this port supports in addition to the 1× (single lane) width:</p> <ul style="list-style-type: none"> Bit [31]: 2× (two-lane) support <ul style="list-style-type: none"> 1'b0: This port does not support a 2× RapidIO link. 1'b1: This port supports a 2× RapidIO link. Bit[30]: 4× (four-lane) support <ul style="list-style-type: none"> 1'b0: This port does not support a 4× RapidIO link. 1'b1: This port supports a 4× RapidIO link. 	(32)
INIT_WIDTH	[29:27]	RO	Width of the port after being initialized:	(32)

continued...

(32) Reflects the selection made in the RapidIO II parameter editor.



Field	Bits	Access	Function	Default
			<ul style="list-style-type: none"> 3'b000: Single lane port, lane 0. 3'b001: Single lane port, lane R (redundancy lane). 3'b010: Four-lane port. 3'b011: Two-lane port. 3'b100: Eight-lane port. 3'b101: Sixteen-lane port. 3'b110–3'b111—Reserved. <p>This field is reset to the largest supported port width, which can be any of 3'b000, 3'b010, and 3'b011, based on your selection in the RapidIO II parameter editor.</p>	
PWIDTH_OVERRIDE	[26:24]	RW	<p>Together with the EXTENDED_PWIDTH_OVERRIDE field (bits [15:14]), indicates soft port configuration to control the width modes available for port initialization.</p> <ul style="list-style-type: none"> When bit [26] has the value of 1'b0, bits [15:14] are Reserved. When bit [26] has the value of 1'b1: <ul style="list-style-type: none"> Bit [25] is the Enable bit for 4× mode. Bit [24] is the Enable bit for 2× mode. Bit [15] is the Enable bit for 8× mode. Bit [14] is the Enable bit for 16× mode. <p>The RapidIO II IP core supports the following valid values for (PWIDTH_OVERRIDE, EXTENDED_PWIDTH_OVERRIDE):</p> <ul style="list-style-type: none"> 5'b000xx—All lane widths that the port supports are enabled. 5'b010xx—Force single lane, lane R not forced. 5'b011xx—Force single lane, force lane R. 5'b10100—2× mode is enabled, 4× mode is disabled. 5'b11000—4× mode is enabled, 2× mode is disabled. 5'b11100—2× and 4× modes are enabled. <p>All other values are Reserved. When the value in the PWIDTH_OVERRIDE or EXTENDED_PWIDTH_OVERRIDE field changes, the port re-initializes using the new field values.</p>	3'b000
PORT_DIS	[23]	RW	<p>Port disable:</p> <ul style="list-style-type: none"> 'b0—Port receivers/drivers are enabled. 'b1—Port receivers are disabled and are unable to receive or transmit any packets or control symbols. <p>While this bit is set, the initialization state machines force_reinit signal is asserted. This assertion forces the port to the SILENT state</p>	1'b0
OUT_PENA	[22]	RW	<p>Output port transmit enable:</p> <ul style="list-style-type: none"> 'b0—Port is stopped and not enabled to issue any packets except to route or respond to I/O logical MAINTENANCE packets. Control symbols are not affected and are sent normally. 'b1—Port is enabled to issue packets. <p>The value in the PORT_LOCKOUT field (bit [1] of this register) can override the values in the OUT_PENA and IN_PENA fields</p>	1'b0
IN_PENA	[21]	RW	<p>Input port receive enable:</p> <ul style="list-style-type: none"> 'b0—Port is stopped and only enabled to respond to I/O Logical MAINTENANCE requests. Other requests return packet-not-accepted control symbols to force an error condition to be signaled by the sending device. However, the IP core still handles normally any control symbols it receives. 'b1—Port is enabled to respond to any packet. <p>The value in the PORT_LOCKOUT field (bit [1] of this register) can override the values in the OUT_PENA and IN_PENA fields.</p>	1'b0

continued...



Field	Bits	Access	Function	Default
ERR_CHK_DIS	[20]	RO	This bit enables (1'b0) or disables (1'b1) all RapidIO transmission error checking. The RapidIO II IP core does not support the disabling of error checking and recovery, so this bit always has the value of 1'b0.	1'b0
Multicast-event Participant	[19]	RW	Indicates that the system should send incoming Multicast-event control symbols to this port (multiple port devices only).	1'b1
Flow Control Participant	[18]	RW	Enables or disables flow control transactions: <ul style="list-style-type: none"> 1'b0: Do not route or issue flow control transactions to this port. 1'b1: Route or issue flow control transactions to this port. This field does not affect the IP core configuration.	(32)
Enumeration Boundary	[17]	RW	Indicates whether this port should delimit enumeration. Any enumeration boundary aware system enumeration algorithm should honor this flag. The algorithm, on either the Rx port or the Tx port, should not enumerate past a port in which this bit is set to the value of 1'b1. This field supports software-enforced enumeration domains in the RapidIO network.	(32)
Flow Arbitration Participant	[16]	RW	Enables or disables flow arbitration transactions: <ul style="list-style-type: none"> 1'b0: Do not route or issue flow arbitration transactions to this port. 1'b1: Route or issue flow arbitration transactions to this port. 	(32)
EXTENDED_PW IDTH_OVRIDE	[15:14]	RW	Together with the PWIDTH_OVRIDE field (bits [26:24] of this register), indicates soft port configuration to control the width modes available for port initialization. Refer to the description of the PWIDTH_OVRIDE field.	2'b0
EXTENDED_PORT_WIDTH	[13:12]	RO	Together with the PORT_WIDTH field, indicates the hardware widths this port supports: <ul style="list-style-type: none"> Bit [13]: 8x support <ul style="list-style-type: none"> 1'b0: This port does not support a 8x RapidIO link. 1'b1: This port supports a 8x RapidIO link. Bit[12]: 16x support <ul style="list-style-type: none"> 1'b0: This port does not support a 16x RapidIO link. 1'b1: This port supports a 16x RapidIO link. The RapidIO II IP core does not support 8-lane or 16-lane variations, so this field is always set to 2'b00.	2'b0
RSRV	[11:9]	RO	Reserved.	3'b0
DIS_DEST_ID_CHK	[8]	RO	This bit determines whether the RapidIO II IP core checks destination IDs in incoming request packets, or promiscuously accepts all incoming request packets with a supported ftype. The reset value is set in the RapidIO II parameter editor. <ul style="list-style-type: none"> 1'b0: Check Destination ID. 1'b1: Disable Destination ID checking. 	(32)
LOG_TRANSPORT_ERROR_IRQ_EN	[7]	RW	Controls whether an interrupt is generated when the logical_transport_error input signal changes from the value of 0 to the value of 1.	1'b0
PORT_ERROR_IRQ_EN	[6]	RW	Controls whether an interrupt is generated when an error is flagged in the Port 0 Error Detect register at offset 0x340. If this bit has the value of 1, an interrupt is generated when any enabled error is flagged in the Port 0 Error Detect register.	1'b0
PORT_FAILED_IRQ_EN	[5]	RW	Controls whether an interrupt is generated when the port_failed input signal changes from the value of 0 to the value of 1.	1'b0

continued...



Field	Bits	Access	Function	Default
PORT_DEGR_I RQ_EN	[4]	RW	Controls whether an interrupt is generated when the port_degraded input signal changes from the value of 0 to the value of 1.	1'b0
STOP_ON_PRT _FAIL_ ENCOUNTER_E NABLE	[3]	RW	Together with the DROP_PKT_ENABLE field, specifies the behavior of the port when the failed error threshold in the Port 0 Error Rate Threshold register (offset 0x36C) has been reached or exceeded. The RapidIO II IP core supports the following valid values for (STOP_ON_PRT_FAIL_ENCOUNTER_ENABLE, DROP_PKT_ENABLE): <ul style="list-style-type: none"> 2'b00: The port continues to attempt to transmit packets to the RapidIO link partner. 2'b01: The port discards packets that receive a packet-not-accepted response. When the port discards a packet, it sets the OUT_PKT_DROPD bit in the Port 0 Error and Status CSR (offset 0x158). The port resumes normal operation when the value in the Error Rate Counter field of the Port 0 Error Rate CSR (offset 0x368) falls below the failed error threshold. This value is valid only for switch devices. 2'b10: The port stops trying to send packets to the link partner, until software resets the OUT_FAIL_ENC field of the Port 0 Error and Status CSR (offset 0x158). The IP core does apply backpressure to ensure the queues do not overflow. 2'b11: The port discards all output packets, until software resets the OUT_FAIL_ENC field of the Port 0 Error and Status CSR (offset 0x158). When the port discards a packet, it sets the OUT_PKT_DROPD bit in the Port 0 Error and Status CSR. 	1'b0
DROP_PKT_EN ABLE	[2]	RW	Together with the STOP_ON_PRT_FAIL_ENCOUNTER_ENABLE field, specifies the behavior of the port when the failed error threshold in the Port 0 Error Rate Threshold register (offset 0x36C) has been reached or exceeded. Refer to the description of the STOP_ON_PRT_FAIL_ENCOUNTER_ENABLE field.	1'b0
PORT_LOCKOU T	[1]	RW	This bit indicates whether the port is stopped or the IN_PENA (bit [21]) and OUT_PENA (bit [22]) register fields control the port: <ul style="list-style-type: none"> 1'b0—The Input Port Enable (IN_PENA) and Output Port Enable (OUT_PENA) fields in this register control which packets the port may receive and transmit on the RapidIO link. 1'b1—Port is stopped and is not enabled to issue or receive any packets. The input port can still follow the training procedure and can still send and respond to link-requests. All received packets return packet-not-accepted control symbols to force an error condition to be signaled by the sending device. 	1'b0
PORT_TYPE	[0]	RO	Indicates the port type, parallel or serial. <ul style="list-style-type: none"> 1'b0: Parallel port. 1'b1: Serial port. The RapidIO II IP core supports only serial ports, so this bit always has the value of 1'b1.	1'b1

6.2.2. LP-Serial Lane Extended Features Block Memory Map

Table 98. CSR Memory Map

Address	Register
0x200	LP-Serial Lane Register Block Header
0x210	Lane 0 Status 0 (Local)
0x214	Lane 0 Status 1 (Far-End)
<i>continued...</i>	



Address	Register
0x218	Lane 0 Status 2 (Interrupt Enable)
0x21C	Lane 0 Status 3 (Received CS Field Commands)
0x220	Lane 0 Status 4 (Outgoing CS Field)
0x230 - 0x280	Lane 1-3 Status

6.2.2.1. LP-Serial Lane Register Block Header

Table 99. LP-Serial Lane Register Block Header — 0x200

Field	Bits	Access	Function	Default
EF_PTR	[31:16]	RO	Hard-wired pointer to the next block in the data structure, if one exists. If this IP core variation instantiates the Error Management Extensions registers, the value in this field is the address of the Error Management Extended Features block, which is 0x300. If this IP core variation does not instantiate the Error Management Extensions registers, the value of this field is determined by the Extended features pointer parameter in the RapidIO II parameter editor.	
EF_ID	[15:0]	RO	Hard-wired extended features ID.	16'h000D

6.2.2.2. LP-Serial Lane n Status 0

Table 100. LP-Serial Lane n Status 0 — 0x210, 0x230, 0x250, 0x270

Field	Bits	Access	Function	Default
Port Number	[31:24]	RO	The number of the port within the IP core to which the lane is assigned. The RapidIO II IP core implements only a single RapidIO port, so this field always has the value of 0.	8'b0
Lane Number	[23:20]	RO	The number of the lane in the port.	4'h _n
Transmitter Type	[19]	RO	Transmitter type: <ul style="list-style-type: none"> 1'b0: Short run 1'b1: Long run. This value is identical for all lanes of the port.	(32)
Transmitter Mode	[18]	RW	Transmitter operating mode: <ul style="list-style-type: none"> 1'b0: Short run 1'b1: Long run The value in this field is identical for all lanes and is identical to the value of the Transmitter Type field. The value in this field does not affect the physical transceiver. Software must modify this bit if relevant physical transceiver properties change.	(32)
Receiver Type	[17:16]	RO	Receiver type: <ul style="list-style-type: none"> 2'b00: Short run 2'b01: Medium run 2'b10: Long run 2'b11: Reserved. This value is identical for all lanes of the port.	(32)
Receiver Input Inverted	[15]	RO	Indicates that the lane receiver has detected that the polarity of its input signal is inverted, and has inverted the receiver input to correct the polarity. A value of 1'b0 indicates the receiver input is	1'b0

continued...



Field	Bits	Access	Function	Default
			not inverted. The RapidIO II IP core does not support automatic detection of inverted inputs, and this field always has the value of 0.	
Receiver Trained	[14]	RO	If the lane receiver controls any transmit or receive adaptive equalization, this bit indicates whether all of the adaptive equalizers that this lane controls are now trained. The value of this field is the value in the Receiver trained bit in the CS field the lane transmits. <ul style="list-style-type: none"> 1'b0: The lane receiver controls one or more adaptive equalizers and at least one of these adaptive equalizers is not trained. 1'b1: The lane receiver controls no adaptive equalizers, or all of the adaptive equalizers it controls are trained. 	1'b0
Receiver Lane Sync	[13]	RO	Indicates the state of the lane n lane_sync signal. <ul style="list-style-type: none"> 1'b0: lane_sync is FALSE 1'b1: lane_sync is TRUE 	1'b0
Receiver Lane Ready	[12]	RO	Indicates the state of the lane n lane_ready signal. <ul style="list-style-type: none"> 1'b0: lane_ready is FALSE 1'b1: lane_ready is TRUE 	1'b0
8B10B_DEC_ERR	[11:8]	RC	Number of 8B10B decoding errors detected on this lane since this register bit was last read. The value saturates at 0xF (it does not roll over). Reading the register resets this field to the value of 0.	4'h0
Lane_sync State Change	[7]	RC	Indicates the state of the lane_sync signal for this lane has changed since this bit was last read. Reading the register resets this bit to the value of 1'b0. This bit provides an indication of the burstiness of the transmission errors that the lane receiver detected.	1'b0
Rcvr_trained State Change	[6]	RO	Indicates the state of the rcvr_trained signal for this lane has changed since this bit was last read. Reading the register resets this bit to the value of 1'b0. A change in the signal value indicates that the training state of the adaptive equalization under the control of this receiver has changed; frequent changes indicate a problem on the lane.	1'b0
RSRV	[5:4]	RO	Reserved.	2'b00
Status 1 CSR Implemented	[3]	RO	Indicates whether the RapidIO implementation includes the Lane n Status 1 CSR for the current lane n. The RapidIO II IP core implements this register, so this bit always has the value of 1'b1.	1'b1
Status 2-7 CSRs Implemented	[2:0]	RO	Number of implementation-specific Lane n Status m CSRs for the current lane n. The RapidIO II IP core implements the Lane n Status 2, Lane n Status 3, and Lane n Status 4 CSRs, so this field always has the value of 2'b011.	3'b011

6.2.2.3. LP-Serial Lane n Status 1

Table 101. LP-Serial Lane n Status 1 – 0x214, 0x234, 0x254, 0x274

Field	Bits	Access	Function	Default
IDLE2 received	[31]	RW1C	Indicates whether an IDLE2 sequence has been received by the lane since this field was last reset. To reset this bit, write the value of 1'b1.	1'b0

continued...



Field	Bits	Access	Function	Default
			<ul style="list-style-type: none"> 1'b0: No IDLE2 sequence has been received since the bit was last reset. 1'b1: An IDLE2 sequence has been received since the bit was last reset. 	
IDLE2 information current	[30]	RO	<p>Indicates that the information in this register (collected from the received IDLE2 sequence) is information from the most recent IDLE2 control symbol marker and CS field that were received by this lane without detected errors, and that the lane's lane_sync signal has remained asserted since the most recent control symbol marker and CS field were received.</p> <ul style="list-style-type: none"> 1'b0: The IDLE2 information is not current. 1'b1: The IDLE2 information is current. 	1'b0
Values changed	[29]	RO	<p>Indicates whether the values of any of the other 31 bits in this register have changed since the register was last read. This bit is reset when the register is read.</p> <ul style="list-style-type: none"> 1'b0: The values have not changed. 1'b1: One or more values have changed. 	1'b0
Implementation defined	[28]	RO	<p>Holds the value of the implementation-defined bit in the received CS field.</p>	1'b0
Connected port lane receiver trained	[27]	RO	<p>Received port width. This field supports the following valid values:</p> <ul style="list-style-type: none"> 3'b000: One lane 3'b001: 2 lanes 3'b010: 4 lanes 3'b011: 8 lanes 3'b100: 16 lanes <p>The values 3'b101–3'b111 are reserved.</p>	3'b000
Received port width	[26:24]	RO	<p>Indicates that the lane receiver has detected that the polarity of its input signal is inverted, and has inverted the receiver input to correct the polarity. A value of 1'b0 indicates the receiver input is not inverted. The RapidIO II IP core does not support automatic detection of inverted inputs, and this field always has the value of 0.</p>	1'b0
Lane number in connected port	[23:20]	RO	<p>Number of the lane (0–15) in the connected port. Normally the value should be n.</p>	4'h0
Receiver Lane Sync	[13]	RO	<p>Indicates the state of the lane n lane_sync signal.</p> <ul style="list-style-type: none"> 1'b0: lane_sync is FALSE 1'b1: lane_sync is TRUE 	1'b0
Connected port transmit emphasis Tap(-1) status	[19:18]	RO	<p>Tap(-1) status of the RapidIO link partner on the connected lane:</p> <ul style="list-style-type: none"> 2'b00: Tap(-1) not implemented. 2'b01: Tap(-1) at minimum emphasis setting. 2'b10: Tap(-1) at maximum emphasis setting. 2'b11: Tap(-1) at intermediate emphasis setting. 	2'b00
Connected port transmit	[17:16]	RO	<p>Tap(+1) status of the RapidIO link partner on the connected lane:</p>	2'b00

continued...



Field	Bits	Access	Function	Default
emphasis Tap(+1) status			<ul style="list-style-type: none"> 2'b00: Tap(+1) not implemented. 2'b01: Tap(+1) at minimum emphasis setting. 2'b10: Tap(+1) at maximum emphasis setting. 2'b11: Tap(+1) at intermediate emphasis setting. 	
Connected port scrambling/descrambling enabled	[15]	RO	Indicates scrambling/descrambling is enabled in the RapidIO link partner on the connected lane. <ul style="list-style-type: none"> 1'b0: Scrambling/descrambling is not enabled. 1'b1: Scrambling/descrambling is enabled. 	1'b0
RSRV	[14:0]	RO	Reserved.	15'b0

6.2.2.4. LP-Serial Lane n Status 2

Table 102. LP-Serial Lane n Status 2 – 0x218, 0x238, 0x258, 0x278

Field	Bits	Access	Function	Default
RSRV	[31:30]	RO	Reserved.	2'b00
Process CMD automatically	[29]	RO	When set, enables automatic processing of CS field values received in the IDLE2 sequence. The RapidIO II IP core does not yet implement this feature.	1'b0
RSRV	[28:0]	RO	Reserved.	29'b0

6.2.2.5. LP-Serial Lane n Status 3

Table 103. LP-Serial Lane n Status 3 – 0x21C, 0x23C, 0x25C, 0x27C

Field	Bits	Access	Function	Default
CMD changed	[31]	RW1C	A changed cmd value in the CS field (received cmd value is different from the previously received value).	1'b0
CMD	[30]	RO	cmd value of most recently received CS field.	1'b0
RSRV	[29]	RO	Reserved.	1'b0
Data scrambling enabled	[28]	RO	Value received most recently from the far end.	1'b0
Lane number in port	[27:23]	RO	x of CS field's Dx.y value. Should match n. This field is updated with each received CS field.	5'h00
Active port width	[22:20]	RO	y of CS frame's Dx.y value. This register field is updated with each received CS field.	3'b000
RSRV	[19:8]	RO	Reserved.	12'h000
Tap(-1) Command	[7:6]	RO	Value of this field in the most recently received CS field.	1'b0
Tap(+1) Command	[5:4]	RO	Value of this field in the most recently received CS field.	1'b0

continued...



Field	Bits	Access	Function	Default
Reset emphasis	[3]	RO	Value of this field in the most recently received CS field.	1'b0
Preset emphasis	[2]	RO	Value of this field in the most recently received CS field.	1'b0
RSRV	[1:0]	RO	Reserved.	2'b00

6.2.2.6. LP-Serial Lane n Status 4

Table 104. LP-Serial Lane n Status 4 — 0x220, 0x240, 0x260, 0x280

Field	Bits	Access	Function	Default
CMD	[31]	RW	Indicates to the connected port that an emphasis update command is present: 1'b0: No request present. 1'b1: Request present.	1'b0
Impl Defined	[30]	RO	Implementation defined.	1'b0
Receiver trained	[29]	RW	When the lane receiver controls transmit or receive adaptive equalization, this bit indicates whether all adaptive equalizers controlled by the lane receiver are trained. <ul style="list-style-type: none"> 1'b0: One or more adaptive equalizers are controlled by the lane receiver and at least one of those adaptive equalizers is not trained. 1'b1: The lane receiver controls no adaptive equalizers, or all of the adaptive equalizers the receiver controls are trained. 	1'b0
Scrambling/descrambling enabled	[28]	RO	Indicates whether scrambling/descrambling is turned on in the IP core. <ul style="list-style-type: none"> 1'b0: Scrambling/descrambling is disabled. 1'b1: Scrambling/descrambling is enabled. Control symbol and packet data characters are scrambled before transmission and descrambled when received. 	1'b1
Tap(-1) status	[27:26]	RW	Transmit emphasis Tap(-1) status: <ul style="list-style-type: none"> 2'b00: Transmit emphasis Tap(-1) is not implemented. 2'b01: Transmit emphasis Tap(-1) is at minimum emphasis 0. 2'b10: Transmit emphasis Tap(-1) is at maximum emphasis. 2'b11: Transmit emphasis Tap(-1) is at an intermediate emphasis setting. 	2'b00
Tap(+1) status	[25:24]	RW	Transmit emphasis Tap(+1) status: <ul style="list-style-type: none"> 2'b00: Transmit emphasis Tap(+1) is not implemented. 2'b01: Transmit emphasis Tap(+1) is at minimum emphasis 0. 2'b10: Transmit emphasis Tap(+1) is at maximum emphasis. 2'b11: Transmit emphasis Tap(+1) is at an intermediate emphasis setting. 	2'b00
RSRV	[23:8]	RO	Reserved.	16'h0000
Tap(-1) command	[7:6]	RW	Transmit emphasis Tap(-1) update command. This field is active only when the CMD field has the value of 1. <ul style="list-style-type: none"> 2'b00: Hold. 2'b01: Decrease emphasis by one step. 2'b10: Increase emphasis by one step. 2'b11: Reserved. 	2'b00
Tap(+1) command	[5:4]	RW	Transmit emphasis Tap(+1) update command. This field is active only when the CMD field has the value of 1.	2'b00

continued...



Field	Bits	Access	Function	Default
			<ul style="list-style-type: none"> 2'b00: Hold. 2'b01: Decrease emphasis by one step. 2'b10: Increase emphasis by one step. 2'b11: Reserved. 	
Reset emphasis	[3]	RW	Transmit emphasis reset command to the connected transceiver. This field is active only when the CMD field has the value of 1. <ul style="list-style-type: none"> 2'b0: Ignore. 2'b1: Reset all transmit emphasis taps to no emphasis. 	1'b0
Preset emphasis	[2]	RW	Transmit emphasis command to the connected transceiver to force initial or preset values. This field is active only when the CMD field has the value of 1. <ul style="list-style-type: none"> 2'b0: Ignore. 2'b1: Set all transmit emphasis settings to their preset values. 	1'b0
ACK	[1]	RW	Indicates that a transmit emphasis update command from the RapidIO link partner is being accepted: <ul style="list-style-type: none"> 1'b0: Command not accepted. 1'b1: Command accepted. 	1'b0
NACK	[0]	RW	Indicates that a transmit emphasis update command from the RapidIO link partner is being refused: <ul style="list-style-type: none"> 1'b0: Command not refused. 1'b1: Command refused. 	1'b0

The RapidIO II IP core transmits the values in the LP-Serial Lane n Status 4 CSR on the outgoing CS field for lane n.

6.3. Transport and Logical Layer Registers

This section lists the Transport and Logical layer registers.

6.3.1. Capability Registers (CARs)

6.3.1.1. CAR Memory Map

Table 105. CAR Memory Map

Address	Register
0x0	Device Identity
0x4	Device Information
0x8	Assembly Identity
0xC	Assembly Information
0x10	Processing Element Features
0x14	Switch Port Information
0x18	Source Operations
0x1C	Destination Operations
0x34	Switch Route Table Destination ID Limit
0x3C	Data Streaming Information



Note: The CARs are not used by any of the RapidIO II IP core internal modules. They do not affect the functionality of the RapidIO II IP core. These registers are all Read-Only. Their values are set using the RapidIO II parameter editor when generating the IP core, or with configuration input signals, which should not change value during normal operation. These registers inform either a local processor or a processor on a remote end about the IP core's capabilities.

6.3.1.2. Device Identity CAR

Table 106. Device Identity CAR – Offset: 0x00

Field	Bits	Access	Function	Default
DeviceIdentity	[31:16]	RO	Hard-wired device identifier	(33)
DeviceVendorIdentity	[15:0]	RO	Hard-wired device vendor identifier	(33)

6.3.1.3. Device Information CAR

Table 107. Device Information CAR – Offset: 0x04

	Bits	Access	Function	Default
DeviceRev	[31:0]	RO	Hard-wired device revision level	(33)

6.3.1.4. Assembly Identity CAR

Table 108. Assembly Identity CAR – Offset: 0x08

Field	Bits	Access	Function	Default
AssyIdentity	[31:16]	RO	Hard-wired assembly identifier	(33)
AssyIdentity	[15:0]	RO	Hard-wired assembly vendor identifier	(33)

6.3.1.5. Assembly Information CAR

Table 109. Assembly Information CAR – Offset: 0x0

Field	Bits	Access	Function	Default
AssyRev	[31:16]	RO	Hard-wired assembly revision level.	(33)
ExtendedFeaturesPtr	[15:0]	RO	Hard-wired pointer to the first entry in the extended feature. The value of this field is 0x100, which points to the LP-Serial Extended Features block.	16'h100

(33) The value is set in the RapidIO II parameter editor.



6.3.1.6. Processing Element Features CAR

Table 110. Processing Element Features CAR — Offset: 0x10

Field	Bits	Access	Function	Default
Bridge	[31]	RO	Processing element can bridge to another interface.	(33)
Memory	[30]	RO	Processing element has physically addressable local address space and can be accessed as an endpoint through non-maintenance operations. This local address space may be limited to local configuration registers, on-chip SRAM, or other device.	(33)
Processor	[29]	RO	Processing element physically contains a local processor or similar device that executes code. A device that bridges to an interface that connects to a processor does not count.	(33)
Switch	[28]	RO	Processing element can bridge to another external RapidIO interface—an internal port to a local endpoint does not count as a switch port.	(33)
MULTIPOINT	[27]	RO	Processing element implements multiple external RapidIO ports. The RapidIO II IP core implements only a single RapidIO port, so this field always has the value of 1'b0.	1'b0
RSRV	[26:12]	RO	Reserved.	25'b0
Flow Arbitration Support	[11]	RO	Processing element supports flow arbitration.	(33)
RSRV	[10]	RO	Reserved.	1'b0
Extended route table configuration support ⁽³⁴⁾	[9]	RO	Processing element supports extended route table configuration mechanism. This property is relevant in switch processing elements only. In non-switch processing elements, it is ignored.	(33)
Standard route table configuration support ⁽³⁴⁾	[8]	RO	Processing element supports standard route table configuration mechanism. This property is relevant in switch processing elements only. In non-switch processing elements, it is ignored.	(33)
Flow Control Support	[7]	RO	Processing element supports flow control extensions.	(33)
RSRV	[6]	RO	Reserved.	1'b0
CRF Support	[5]	RO	Processing element supports the Critical Request Flow (CRF) indicator: <ul style="list-style-type: none"> • 1'b0 — Processing element does not support Critical Request Flow. • 1'b1—Processing element supports Critical Request Flow. 	1'b1

continued...

⁽³⁴⁾ If the **Extended route table configuration support** bit or the **Standard route table configuration support** bit is set, user logic must implement the functionality and registers to support the standard or extended route table configuration. The RapidIO II IP core does not implement the Standard Route CSRs at offsets 0x70, 0x74, and 0x78.

Field	Bits	Access	Function	Default
LARGE_TRANSPORT	[4]	RO	<p>Processing element supports common transport large systems:</p> <ul style="list-style-type: none"> 1'b0 — Processing element does not support common transport large systems (processing element requires that the device ID width be 8 bits, and does not support a device ID width of 16 bits). 1'b1 — Processing element supports common transport large systems (processing element supports a device ID width of 16 bits). <p>The value of this field is determined by the device ID width you select in the RapidIO II parameter editor with the Enable 16-bit device ID width setting.</p>	(33)
Extended features	[3]	RO	Processing element has extended features list; the extended features pointer is valid.	1'b1
Extended addressing support	[2:0]	RO	<p>Indicates the number of address bits supported by the processing element, both as a source and target of an operation. All processing elements support a minimum 34-bit address. The RapidIO II IP core supports the following valid value:</p> <ul style="list-style-type: none"> 3'b001 — Processing element supports 34-bit addresses. 	3'b001

6.3.1.7. Switch Port Information CAR

Table 111. Switch Port Information CAR — Offset: 0x14

Field	Bits	Access	Function	Default
RSRV	[31:16]	RO	Reserved.	16'b0
PortTotal	[15:8]	RO	<p>The maximum number of RapidIO ports on the processing element:</p> <ul style="list-style-type: none"> 8'h0 — Reserved 8'h1 — 1 port 8'h2 — 2 ports ... 8'hFF — 255 ports 	(33)
PortNumber ⁽³⁵⁾	[7:0]	RO	This is the port number from which the MAINTENANCE read operation accessed this register. Ports are numbered starting with 8'h0.	(33)

6.3.1.8. Source Operations CAR

Table 112. Source Operations CAR — Offset: 0x18

Field	Bits	Access	Function	Default
RSRV	[31:20]	RO	Reserved.	12'b0
DATA_STRM_TRAFFIC_MANAGEMENT	[19]	RO	Processing element can support data streaming traffic management.	1'b0

continued...

⁽³⁵⁾ If the Switch Port Information CAR is accessible from multiple ports, user logic must implement shadowing of the PortNumber field.



Field	Bits	Access	Function	Default
DATA_STREAMING	[18]	RO	Processing element can support a data streaming operation.	1'b0
RSRV	[17:16]	RO	Reserved.	2'b00
READ	[15]	RO	Processing element can support a read operation.	(36)
WRITE	[14]	RO	Processing element can support a write operation.	(36)
SWRITE	[13]	RO	Processing element can support a streaming-write operation.	(36)
NWRITE_R	[12]	RO	Processing element can support a write-with-response operation.	(36)
Data Message	[11]	RO	Processing element can support data message operation.	1'b0
DOORBELL	[10]	RO	Processing element can support a DOORBELL operation	(37)
ATM_COMP_SWAP	[9]	RO	Processing element can support an ATOMIC compare-and-swap operation.	1'b0
ATM_TEST_SWAP	[8]	RO	Processing element can support an ATOMIC test-and-swap operation.	1'b0
ATM_INC	[7]	RO	Processing element can support an ATOMIC increment operation.	1'b0
ATM_DEC	[6]	RO	Processing element can support an ATOMIC decrement operation.	1'b0
ATM_SET	[5]	RO	Processing element can support an ATOMIC set operation.	1'b0
ATM_CLEAR	[4]	RO	Processing element can support an ATOMIC clear operation.	1'b0
ATM_SWAP	[3]	RO	Processing element can support an ATOMIC swap operation.	1'b0
PORT_WRITE	[2]	RO	Processing element can support a port-write operation.	(38)
Implementation Defined	[1:0]	RO	Reserved for this implementation.	2'b00

(36) The default value is 1'b1 if you turn on **Enable I/O Logical layer Slave module** in the RapidIO II parameter editor. The default value is 1'b0 if you turn off **Enable I/O Logical layer Slave module** in the RapidIO II parameter editor.

(37) The default value is 1'b1 if you turn on **Enable Doorbell support** in the RapidIO II parameter editor. The default value is 1'b0 if you turn off **Enable Doorbell support** in the RapidIO II parameter editor.

(38) The default value is 1'b1 if you turn on **Enable Maintenance module** in the RapidIO II parameter editor. The default value is 1'b0 if you turn off **Enable Maintenance module**.



- Note:**
- If one of the Logical layers supported by the RapidIO II IP core is not selected in the RapidIO II parameter editor, the corresponding bits in the Source Operations CARs are set to zero by default.
 - The reset value of the Source Operations CAR is the result of the bitwise exclusive-or operation applied to the default values and the value you specify for **Source Operations CAR override** in the RapidIO II parameter editor.

6.3.1.9. Destination Operations CAR

Table 113. Destination Operations CAR — Offset: 0x1C

Field	Bits	Access	Function	Default
RSRV	[31:20]	RO	Reserved.	12'b0
DATA_STRM_T RAFFIC _MANAGEMENT	[19]	RO	Processing element can support data streaming traffic management.	1'b0
DATA_STREAM ING	[18]	RO	Processing element can support a data streaming operation.	1'b0
RSRV	[17:16]	RO	Reserved.	2'b00
READ	[15]	RO	Processing element can support a read operation.	(39)
WRITE	[14]	RO	Processing element can support a write operation.	(39)
SWRITE	[13]	RO	Processing element can support a streaming-write operation.	(39)
NWRITE_R	[12]	RO	Processing element can support a write-with-response operation.	(39)
Data Message	[11]	RO	Processing element can support data message operation.	1'b0
DOORBELL	[10]	RO	Processing element can support a DOORBELL operation.	(37)
ATM_COMP_SW P	[9]	RO	Processing element can support an ATOMIC compare-and-swap operation.	1'b0
ATM_TEST_SW P	[8]	RO	Processing element can support an ATOMIC test-and-swap operation.	1'b0
ATM_INC	[7]	RO	Processing element can support an ATOMIC increment operation.	1'b0
ATM_DEC	[6]	RO	Processing element can support an ATOMIC decrement operation.	1'b0
ATM_SET	[5]	RO	Processing element can support an ATOMIC set operation.	1'b0
ATM_CLEAR	[4]	RO	Processing element can support an ATOMIC clear operation.	1'b0

continued...

(39) The default value is 1'b1 if you turn on **Enable I/O Logical layer Master module** in the RapidIO II parameter editor. The default value is 1'b0 if you turn off **Enable I/O Logical layer Master module** in the RapidIO II parameter editor.



Field	Bits	Access	Function	Default
ATM_SWAP	[3]	RO	Processing element can support an ATOMIC swap operation.	1'b0
PORT_WRITE	[2]	RO	Processing element can support a port-write operation.	(38)
Implementation Defined	[1:0]	RO	Reserved for this implementation.	2'b00

- Note:**
- If one of the Logical layers supported by the RapidIO II IP core is not selected, the corresponding bits in the Destination Operations CAR are set to zero by default.
 - The reset value of the Destination Operations CAR is the result of the bitwise exclusive-or operation applied to the default values and the value you specify for **Destination operations CAR override** in the RapidIO II parameter editor.

6.3.1.10. Switch Route Table Destination ID Limit CAR

Table 114. Switch Route Table Destination ID Limit CAR – Offset: 0x34

Field	Bits	Access	Function	Default
RSRV	[31:16]	RO	Reserved.	16'b0
Max_destID	[15:0]	RO	Maximum configurable destination ID. Value is the maximum number of destination IDs, minus one.	(33)

- Note:** If the **Standard route table configuration support** bit or the **Extended route table configuration support** bit in the Processing Element Features CAR is set, user logic must implement the functionality and registers to support the standard or extended route table configuration. The RapidIO II IP core does not implement the Standard Route CSRs at offsets 0x70, 0x74, and 0x78.

6.3.1.11. Data Streaming Information CAR

Table 115. Data Streaming Information CAR – Offset: 0x3C

Field	Bits	Access	Function	Default
MaxPDU	[31:16]	RO	Indicates the maximum PDU size that this destination end point supports. Unit is bytes.	(33)
SegSupport	[15:0]	RO	Indicates the number of segmentation contexts that this destination end point supports. <ul style="list-style-type: none"> • 16'h0000 – 65536 segmentation contexts • 16'h0001 – 1 segmentation context • 16'h0002 – 2 segmentation contexts • ... • 16'hFFFF – 65535 segmentation contexts 	(33)

- Note:** User logic must implement the functionality and registers to support data streaming configuration. The values in this register do not affect the IP core.

6.3.2. Command and Status Registers (CSRs)

6.3.2.1. CSR Memory Map

Table 116. CSR Memory Map

Address	Register
0x48	Data Streaming Logical Layer Control
0x4C	Processing Element Logical Layer Control
0x58	Local Configuration Space Base Address 0
0x5C	Local Configuration Space Base Address 1
0x60	Base Device ID
0x68	Host Base Device ID Lock
0x6c	Component Tag

Note: You must de-assert all IP reset signals and allow link initialization to access the Command and Status Register (CSR) block.

6.3.2.2. Data Streaming Logical Layer Control CSR

Table 117. Data Streaming Logical Layer Control CSR — Offset: 0x48

Field	Bits	Access	Function	Default
TM_TYPE_SUPPORT	[31:28]	RO	TM types supported. This field indicates the TM types that the RapidIO II IP core variation supports. The following values are valid: <ul style="list-style-type: none"> 4'b1000: Supports basic type 4'b1100: Supports basic and rate types 4'b1010: Supports basic and credit types 4'b1110: Supports basic, rate, and credit types All other values are invalid.	(33)
TM_MODE ⁽⁴⁰⁾	[27:24]	RW	Traffic management mode. The following values are valid: <ul style="list-style-type: none"> 4'b0000: TM disabled 4'b0001: Basic mode 4'b0010: Rate mode 4'b0011: Credit mode 4'b0101–4'b0111: Reserved 4'b1000–4'b1111: Available for user-defined modes 	(33)
RSRV	[23:8]	RO	Reserved.	16'b0
MTU ⁽⁴⁰⁾	[7:0]	RW	Maximum transmission unit. This field controls the data payload size for segments of an encapsulated PDU. All segments of a PDU except the final segment must have a data payload of the length specified in this field. The MTU is a multiple of four bytes. The following values are valid:	(33)

continued...

⁽⁴⁰⁾ To change the value of this field dynamically during normal operation, use the corresponding `_wr` and `_in` signals to control the timing of the value changes.



Field	Bits	Access	Function	Default
			<ul style="list-style-type: none"> 8'b0000_1000: 32-byte block size 8'b0000_1001: 64-byte block size 8'b0000_1010: 40-byte block size ... 8'b0100_0000: 256-byte block size The following values are invalid: <ul style="list-style-type: none"> 8'b0000_0000–8'b0000_0111: Reserved 8'b0100_0001–8'b1111_1111: Reserved 	

6.3.2.3. Processing Element Logical Layer Control CSR

Table 118. Processing Element Logical Layer Control CSR – Offset: 0x4C

Field	Bits	Access	Function	Default
RSRV	[31:28]	RO	Reserved.	29'b0
EXT_ADDR_CTL RL	[2:0]	RO	Controls the number of address bits generated by the Processing element as a source and processed by the Processing element as the target of an operation. <ul style="list-style-type: none"> 3'b100 – Processing element supports 66 bit addresses 3'b010 – Processing element supports 50 bit addresses 3'b001 – Processing element supports 34 bit addresses All other values are reserved. The RapidIO II IP core supports only 34-bit addresses, so the value of this field is always 3'b001.	3'b001

6.3.2.4. Local Configuration Space Base Address 0 CSR

Table 119. Local Configuration Space Base Address 0 CSR – Offset: 0x58

Field	Bits	Access	Function	Default
RSRV	[31]	RO	Reserved.	1'b0
LCSBA	[30:15]	RO	Reserved for a 34-bit local physical address.	16'h0000
LCSBA	[14:0]	RO	Reserved for a 34-bit local physical address.	15'h0000

Note: The Local Configuration Space Base Address 0 register is hard coded to zero. If the Input/Output Avalon-MM master interface is connected to the Register Access Avalon-MM slave interface, regular read and write operations rather than MAINTENANCE operations can be used to access the processing element's registers for configuration and maintenance.

6.3.2.5. Local Configuration Space Base Address 1 CSR

Table 120. Local Configuration Space Base Address 1 CSR – Offset: 0x5C

Field	Bits	Access	Function	Default
LCSBA	[31]	RO	Reserved for a 34-bit local physical address.	1'b0
LCSBA	[30:0]	RW	Bits [33:4] of a 34-bit physical address.	31'b0

Note: This register holds the local physical address double-word offset of the processing element's configuration register space. If the Input/Output Avalon-MM master interface is connected to the Register Access Avalon-MM slave interface then regular read and write operations, rather than MAINTENANCE operations, can be used to access the processing element's registers for configuration and maintenance, based on this address. User logic must write the correct offset value in this register to ensure that these read and write operations can work correctly.

6.3.2.6. Base Device ID CSR

Table 121. Base Device ID CSR — Offset: 0x60

Field	Bits	Access	Function	Default
RSRV	[31:24]	RO	Reserved.	8'h00
Base_device_ID	[23:16]	RW/RO	This is the base ID of the device in a small common transport system. The value of this field appears on the <code>base_device_id</code> output signal. Reserved if the system does not support 8-bit device ID.	8'hFF
Large_base_deviceID	[15:0]	RW/RO	This is the base ID of the device in a large common transport system. This field value is valid only for endpoint devices. The value of this field appears on the <code>large_base_device_id</code> output signal. Reserved if the system does not support 16-bit device ID.	16'hFFFF

Note: In a small common transport system, the `Base_deviceID` field is Read-Write and the `Large_base_deviceID` field is Read-only. In a large common transport system, the `Base_deviceID` field is Read-only and the `Large_base_deviceID` field is Read-Write.

6.3.2.7. Host Base Device ID Lock CSR

Table 122. Host Base Device ID Lock CSR — Offset: 0x68

Field	Bits	Access	Function	Default
RSRV	[31:16]	RO	Reserved.	16'h0000
HOST_BASE_DEVICE_ID	[15:0]	RW ⁽⁴¹⁾	This is the base device ID for the processing element that is initializing this processing element.	16'hFFFF

6.3.2.8. Component Tag CSR

Table 123. Component Tag CSR — Offset: 0x6C

Field	Bits	Access	Function	Default
COMPONENT_TAG	[31:0]	RW	This is a component tag for the processing element.	32'h0

(41) Write once; can be reset.



6.3.3. Maintenance Module Registers

6.3.3.1. Maintenance Module Registers Memory Map

Table 124. Maintenance Module Registers Memory Map

Address	Register
0x10080	Maintenance Interrupt
0x10084	Maintenance Interrupt Enable
0x10088 - 0x100FC	Reserved
0x10100	Tx Maintenance Window 0 Base
0x10104	Tx Maintenance Window 0 Mask
0x10108	Tx Maintenance Window 0 Offset
0x1010C	Tx Maintenance Window 0 Control
0x10110 - 0x1011C	Tx Maintenance Windows 1
0x10200	Tx Port Write Control
0x10204	Tx Port Write Status
0x10210 - 0x1024C	Tx Port Write Buffer
0x10250	Rx Port Write Control
0x10254	Rx Port Write Status
0x10260 - 0x1029C	Rx Port Write Buffer
0x102A0 - 0x102FC	Reserved

6.3.3.2. Maintenance Interrupt Control Registers

If any of these error conditions are detected and if the corresponding Interrupt Enable bit is set, the `mnt_mnt_s_irq` signal is asserted.

Table 125. Maintenance Interrupt – Offset: 0x10080

Field	Bits	Access	Function	Default
RSRV	[31:7]	RO	Reserved.	25'h0
PORT_WRITE_ERROR	[6]	RW1C	Port-write error.	1'b0
PACKET_DROPPED	[5]	RW1C	A received port-write packet was dropped. A port-write packet is dropped under the following conditions: <ul style="list-style-type: none"> A port-write request packet is received but port-write reception has not been enabled by setting bit <code>PORT_WRITE_ENABLE</code> in the Rx Port Write Control register. A previously received port-write has not been read out from the Rx Port Write register. 	1'b0
PACKET_STORED	[4]	RW1C	Indicates that the IP core has received a port-write packet and that the payload can be retrieved using the Register Access Avalon-MM slave interface.	1'b0
<i>continued...</i>				

Field	Bits	Access	Function	Default
RSRV	[3:2]	RO	Reserved.	2'b00
WRITE_OUT_OF_BOUNDS	[1]	RW1C	If the address of an Avalon-MM write transfer presented at the Maintenance Avalon-MM slave interface does not fall within any of the enabled Tx Maintenance Address translation windows, then it is considered out of bounds and this bit is set.	1'b0
READ_OUT_OF_BOUNDS	[0]	RW1C	If the address of an Avalon-MM read transfer presented at the Maintenance Avalon-MM slave interface does not fall within any of the enabled Tx Maintenance Address translation windows, then it is considered out of bounds and this bit is set.	1'b0

Table 126. Maintenance Interrupt Enable – Offset: 0x10084

Field	Bits	Access	Function	Default
RSRV	[31:7]	RO	Reserved.	25'h0
PORT_WRITE_ERROR	[6]	RW	Port-write error interrupt enable.	1'b0
RX_PACKET_DROPPED	[5]	RW	Rx port-write packet dropped interrupt enable.	1'b0
RX_PACKET_STORED	[4]	RW	Rx port-write packet stored in buffer interrupt enable.	1'b0
RSRV	[3:2]	RO	Reserved.	2'b00
WRITE_OUT_OF_BOUNDS	[1]	RW	Tx write request address out of bounds interrupt enable.	1'b0
READ_OUT_OF_BOUNDS	[0]	RW	Tx read request address out of bounds interrupt enable.	1'b0

6.3.3.3. Transmit Maintenance Registers

When transmitting a MAINTENANCE packet, an address translation process occurs, using a base, mask, offset, and control register. Two groups of four registers can exist. The two register address offsets are shown in the table titles.

Table 127. Tx Maintenance Mapping Window n Base – Offset: 0x10100, 0x10110

Field	Bits	Access	Function	Default
BASE	[31:3]	RW	Start of the Avalon-MM address window to be mapped. The three least significant bits of the 32-bit base are assumed to be zero.	29'h0
RSRV	[2:0]	RO	Reserved.	3'b000



Table 128. Tx Maintenance Mapping Window n Mask – Offset: 0x10104, 0x10114

Field	Bits	Access	Function	Default
MASK	[31:3]	RW	Mask for the address mapping window. The three least significant bits of the 32-bit mask are assumed to be zero.	29'h0
WEN	[2]	RW	Window enable. Set to one to enable the corresponding window.	1'b0
RSRV	[2:0]	RO	Reserved.	2'b00

Table 129. Tx Maintenance Mapping Window n Offset – Offset: 0x10108, 0x10118

Field	Bits	Access	Function	Default
RSRV	[31:24]	RO	Reserved.	8'h00
OFFSET	[23:0]	RW	Window offset	24'h0

Table 130. Tx Maintenance Mapping Window n Control – Offset: 0x1010C, 0x1011C

Field	Bits	Access	Function	Default
LARGE_DESTINATION_ID (MSB)	[31:24]	RW/RO	MSB of the Destination ID if the system supports 16-bit device ID. Reserved if the system does not support 16-bit device ID.	8'h00
DESTINATION_ID	[23:16]	RW	Destination ID.	8'h00
HOP_COUNT	[15:8]	RW	Hop count	8'hFF
PRIORITY	[7:6]	RW	Packet priority. 2'b11 is not a valid value for the PRIORITY field. Any attempt to write 2'b11 to this field is overwritten with 2'b10.	2'b00
RSRV	[5:0]	RO	Reserved.	6'h0

6.3.3.4. Transmit Port-Write Registers

Table 131. Tx Port Write Control – Offset: 0x10200

Field	Bits	Access	Function	Default
LARGE_DESTINATION_ID (MSB)	[31:24]	RW/RO	MSB of the Destination ID if the system supports 16-bit device ID. Reserved if the system does not support 16-bit device ID.	8'h00
DESTINATION_ID	[23:16]	RW	Destination ID.	8'h00
RSRV	[15:8]	RO	Reserved.	8'h00
PRIORITY	[7:6]	RW	Request packet's priority. 2'b11 is not a valid value for the PRIORITY field. Any attempt to write 2'b11 to this field is overwritten with 2'b10.	2'b00

continued...



Field	Bits	Access	Function	Default
SIZE	[5:2]	RW	Packet payload size in number of double words. If set to 0, the payload size is single word. If size is set to a value larger than 8, the payload size is 8 double words (64 bytes).	4'h0
RSRV	[1]	RO	Reserved.	1'b0
PACKET_READ_Y	[0]	RW	Write 1 to start transmitting the port-write request. This bit is cleared internally after the packet has been transferred to the Transport layer to be forwarded to the Physical layer for transmission.	1'b0

Table 132. Tx Port Write Status – Offset: 0x10204

Field	Bits	Access	Function	Default
RSRV	[31:0]	RO	Reserved.	32'h0

Table 133. Tx Port Write Buffer n – Offset: 0x10210 – 0x1024C

Field	Bits	Access	Function	Default
PORT_WRITE_DATA_n	[31:0]	RW	Port-write data. This buffer is implemented in memory and is not initialized at reset.	32'hx

6.3.3.5. Receive Port-Write Registers

Table 134. Rx Port Write Control – Offset: 0x10250

Field	Bits	Access	Function	Default
RSRV	[31:2]	RO	Reserved.	30'h0
CLEAR_BUFFER	[1]	RW	Clear port-write buffer. Write 1 to activate. Always read 0.	1'b0
PORT_WRITE_ENA	[0]	RW	Port-write enable. If set to 1, port-write packets are accepted. If set to 0, port-write packets are dropped.	1'b1

Table 135. Rx Port Write Status – Offset: 0x10254

Field	Bits	Access	Function	Default
RSRV	[31:6]	RO	Reserved.	26'h0
CLEAR_BUFFER	[5:2]	RO	Packet payload size in number of double words. If the size is zero, the payload size is single word.	4'h0
RSRV	[1]	RO	Reserved.	1'b0
PORT_WRITE_BUSY	[0]	RO	Port-write busy. Set if a packet is currently being stored in the buffer or if the packet is stored and has not been read.	1'b0

Table 136. Rx Port Write Buffer n – Offset: 0x10260 – 0x1029C

Field	Bits	Access	Function	Default
PORT_WRITE_DATA_n	[31:0]	RO	Port-write data. This buffer is implemented in memory and is not initialized at reset.	32'hx



6.3.4. I/O Logical Layer Master Module Registers

Below section provides information on I/O logical layer master module registers memory map.

6.3.4.1. I/O Logical Layer Master Module Registers Memory Map

Table 137. I/O Logical layer Master Module Registers Memory Map

Address	Register
0x10300	I/O Master Window 0 Base
0x10304	I/O Master Window 0 Mask
0x10308	I/O Master Window 0 Offset
0x1030C	Reserved
0x10310 – 0x103F8 (with gaps)	I/O Master Windows 1–15
0x103DC	I/O Master Interrupt
0x103FC	I/O Master Interrupt Enable

6.3.4.2. I/O Master Address Mapping Registers

When the IP core receives an NREAD, NWRITE, NWRITE_R, or SWRITE request packet, the RapidIO address has to be translated into a local Avalon-MM address. If you specify at least one address mapping window, the translation involves the base, mask, and offset registers. The IP core has up to 16 register sets, one for each address mapping window. The 16 possible register address offsets are shown in the table titles.

Table 138. Input/Output Master Mapping Window n Base

Offset: 0x10300, 0x10310, 0x10320, 0x10330, 0x10340, 0x10350, 0x10360, 0x10370, 0x10380, 0x10390, 0x103A0, 0x103B0, 0x103C0, 0x103D0, 0x103E0, 0x103F0

Field	Bits	Access	Function	Default
BASE	[31:4]	RW	Start of the RapidIO address window to be mapped. The four least significant bits of the 34-bit base are assumed to be zeros.	28'h0
RSRV	[3:2]	RO	Reserved.	2'b00
XAMB	[1:0]	RW	Extended Address: two most significant bits of the 34-bit base.	2'b00

Table 139. Input/Output Master Mapping Window n Mask

Offset: 0x10304, 0x10314, 0x10324, 0x10334, 0x10344, 0x10354, 0x10364, 0x10374, 0x10384, 0x10394, 0x103A4, 0x103B4, 0x103C4, 0x103D4, 0x103E4, 0x103F4

Field	Bits	Access	Function	Default
MASK	[31:4]	RW	Bits 31 to 4 of the mask for the address mapping window. The four least significant bits of the 34-bit mask are assumed to be zeros.	28'h0
RSRV	[3]	RO	Reserved.	1'b0
WEN	[2]	RW	Window enable. Set to one to enable the corresponding window.	1'b0
XAMM	[1:0]	RW	Extended Address: two most significant bits of the 34-bit mask.	2'b00

Table 140. Input/Output Master Mapping Window n Offset

Offset: 0x10308, 0x10318, 0x10328, 0x10338, 0x10348, 0x10358, 0x10368, 0x10378, 0x10388, 0x10398, 0x103A8, 0x103B8, 0x103C8, 0x103D8, 0x103E8, 0x103F8

Field	Bits	Access	Function	Default
OFFSET	[31:4]	RW	Starting offset into the Avalon-MM address space. The four least significant bits of the 32-bit offset are assumed to be zero.	28'h0
RSRV	[3:0]	RO	Reserved.	4'h0

6.3.4.3. I/O Master Interrupts

The RapidIO II IP core asserts the `io_m_mnt_irq` signal if the interrupt bit is enabled. Following are the available Input/Output Master interrupt and corresponding interrupt enable bit.

Table 141. Input/Output Master Interrupt – Offset: 0x103DC

Field	Bits	Access	Function	Default
RSRV	[31:1]	RO	Reserved.	31'h0
ADDRESS_OUT_OF_BOUNDS	[0]	RW1C	Address out of bounds. Asserted when the RapidIO address does not fall within any enabled address mapping window.	1'b0

Table 142. Input/Output Master Interrupt Enable – Offset: 0x103FC

Field	Bits	Access	Function	Default
RSRV	[31:1]	RO	Reserved.	31'h0
ADDRESS_OUT_OF_BOUNDS	[0]	RW	Address out of bounds interrupt enable.	1'b0

6.3.5. I/O Logical Layer Slave Module Registers

Below section provides information on I/O logical layer slave module registers memory map.



6.3.5.1. I/O Logical Layer Slave Module Registers Memory Map

Table 143. I/O Logical layer Slave Module Registers Memory Map

Address	Register
0x10400	I/O Slave Window 0 Base
0x10404	I/O Slave Window 0 Mask
0x10408	I/O Slave Window 0 Offset
0x1040C	I/O Slave Window 0 Control
0x10410 - 0x104FC	I/O Slave Windows 1-15
0x10500	I/O Slave Interrupt
0x10504	I/O Slave Interrupt Enable
0x10508	I/O Slave Pending NWRITE_R Transactions
0x1050C	I/O Slave Avalon-MM Write Transactions
0x10510	I/O Slave RapidIO Write Requests

6.3.5.2. I/O Slave Address Mapping Registers

The registers define windows in the Avalon-MM address space that are used to determine the outgoing request packet's `f`type, `DESTINATION_ID`, `priority`, and `address` fields. There are up to 16 register sets, one for each possible address mapping window. The 16 possible register address offsets are shown below the table titles.

Table 144. Input/Output Slave Mapping Window n Base

Offset: 0x10400, 0x10410, 0x10420, 0x10430, 0x10440, 0x10450, 0x10460, 0x10470, 0x10480, 0x10490, 0x104A0, 0x104B0, 0x104C0, 0x104D0, 0x104E0, 0x104F0

Field	Bits	Access	Function	Default
BASE	[31:4]	RW	Start of the Avalon-MM address window to be mapped. The four least significant bits of the 32-bit base are assumed to be all zeros.	28'h0
RSRV	[3:0]	RO	Reserved.	4'h0

Table 145. Input/Output Slave Mapping Window n Mask

Offset: 0x10404, 0x10414, 0x10424, 0x10434, 0x10444, 0x10454, 0x10464, 0x10474, 0x10484, 0x10494, 0x104A4, 0x104B4, 0x104C4, 0x104D4, 0x104E4, 0x104F4

Field	Bits	Access	Function	Default
MASK	[31:4]	RW	28 most significant bits of the mask for the address mapping window. The four least significant bits of the 32-bit mask are assumed to be zeros.	28'h0
RSRV	[3]	RO	Reserved.	1'b0
WEN	[2]	RW	Window enable. Set to one to enable the corresponding window.	1'b0
RSRV	[1:0]	RO	Reserved.	2'b00

Table 146. Input/Output Slave Mapping Window n Offset

Offset: 0x10408, 0x10418, 0x10428, 0x10438, 0x10448, 0x10458, 0x10468, 0x10478, 0x10488, 0x10498, 0x104A8, 0x104B8, 0x104C8, 0x104D8, 0x104E8, 0x104F8

Field	Bits	Access	Function	Default
OFFSET	[31:4]	RW	Bits [31:3] of the starting offset into the RapidIO address space. The three least significant bits of the 34-bit offset are assumed to be zeros.	28'h0
RSRV	[3:2]	RO	Reserved.	2'b00
XAMO	[1:0]	RW	Extended Address: two most significant bits of the 34-bit offset.	2'b00

Table 147. Input/Output Slave Mapping Window n Control

Offset: 0x1040C, 0x1041C, 0x1042C, 0x1043C, 0x1044C, 0x1045C, 0x1046C, 0x1047C, 0x1048C, 0x1049C, 0x104AC, 0x104BC, 0x104CC, 0x104DC, 0x104EC, 0x104FC

Field	Bits	Access	Function	Default
LARGE_DESTINATION_ID (MSB)	[31:24]	RW/RO	MSB of the Destination ID if the system supports 16-bit device ID. Reserved if the system does not support 16-bit device ID.	8'h00
DESTINATION_ID	[23:16]	RW	Destination ID.	8'h00
RSRV	[15:8]	RO	Reserved.	8'h00
PRIORITY	[7:6]	RW	Request packet's priority. 2'b11 is not a valid value for the PRIORITY field. Any attempt to write 2'b11 to this field is overwritten with 2'b10.	2'b00
RSRV	[5:3]	RO	Reserved.	3'b000
CRF	[2]	RW	Critical Request Flow bit.	1'b0
SWRITE_ENABLE	[1]	RW	SWRITE enable. Set to one to generate SWRITE request packets. ⁽⁴²⁾	1'b0
NWRITE_R_ENABLE	[0]	RW	NWRITE_R enable. ⁽⁴²⁾	1'b0

6.3.5.3. I/O Slave Interrupts

These interrupt bits assert the `io_s_mnt_irq` signal if the corresponding interrupt bit is enabled. Following are the available Input/Output slave interrupts and corresponding interrupt enable bits.

⁽⁴²⁾ Bits 0 and 1 (NWRITE_R_ENABLE and SWRITE_ENABLE) are mutually exclusive. An attempt to write ones to both of these fields at the same time is ignored, and that part of the register keeps its previous value.



Table 148. Input/Output Slave Interrupt – Offset: 0x10500

Field	Bits	Access	Function	Default
RSRV	[31:6]	RO	Reserved.	26'h0
INVALID_READ_BURSTCOUNT	[5]	RW1C	Read burst count invalid. Asserted when <code>io_s_burstcount</code> has a value that is larger than 16 in an Avalon-MM read request on the I/O Logical slave interface.	1'b0
INVALID_READ_BYTEENABLE	[4]	RW1C	Read byte enable invalid. Asserted when <code>io_s_byteenable</code> is set to an invalid value in an Avalon-MM read request on the I/O Logical slave interface.	1'b0
INVALID_WRITE_BYTEENABLE	[3]	RW1C	Write byte enable invalid. Asserted when <code>io_s_byteenable</code> is set to an invalid value in an Avalon-MM write request on the I/O Logical slave interface.	1'b0
INVALID_WRITE_BURSTCOUNT	[2]	RW1C	Write burst count invalid. Asserted when <code>io_s_burstcount</code> has a value that is larger than 16, except in cases with first byteenable with a value of 0xFF00 and final byteenable with a value of 0x00FF, in an Avalon-MM write request on the I/O Logical slave interface.	1'b0
WRITE_OUT_OF_BOUNDS	[1]	RW1C	Write request address out of bounds. Asserted when the Avalon-MM address does not fall within any enabled address mapping window.	1'b0
READ_OUT_OF_BOUNDS	[0]	RW1C	Read request address out of bounds. Asserted when the Avalon-MM address does not fall within any enabled address mapping window.	1'b0

Table 149. Input/Output Slave Interrupt Enable – Offset: 0x10504

Field	Bits	Access	Function	Default
RSRV	[31:6]	RO	Reserved.	26'h0
INVALID_READ_BURSTCOUNT	[5]	RW	Read burst count invalid interrupt enable.	1'b0
INVALID_READ_BYTEENABLE	[4]	RW	Read byte enable invalid interrupt enable.	1'b0
INVALID_WRITE_BYTEENABLE	[3]	RW	Write byte enable invalid interrupt enable.	1'b0
INVALID_WRITE_BURSTCOUNT	[2]	RW	Write burst count invalid interrupt enable.	1'b0
WRITE_OUT_OF_BOUNDS	[1]	RW	Write request address out of bounds interrupt enable.	1'b0
READ_OUT_OF_BOUNDS	[0]	RW	Read request address out of bounds interrupt enable.	1'b0

6.3.5.4. I/O Slave Transactions and Requests

Table 150. Input/Output Slave Pending NWRITE_R Transactions — Offset: 0x10508

Field	Bits	Access	Function	Default
RSRV	[31:8]	RO	Reserved.	24'h0
PENDING_NWRITE_RS	[7:0]	RO	Number of pending NWRITE_R write requests that have been initiated in the I/O Avalon-MM slave Logical layer module but have not yet completed. The value in this field might update only after a delay of 4 Avalon clock cycles after the start of the write burst on the Avalon-MM interface.	8'h00

Table 151. Input/Output Slave Avalon-MM Write Transactions — Offset: 0x1050C

Field	Bits	Access	Function	Default
RSRV	[31:16]	RO	Reserved.	16'h0000
STARTED_WRITE	[15:0]	RO	Number of write transfers initiated on Avalon-MM Input/Output Slave port so far. Count increments on first system clock cycle in which the <code>io_s_write</code> signal is asserted and the <code>io_s_wr_waitrequest</code> signal is not asserted. This counter rolls over to 0 after its maximum value.	16'h0000

Table 152. Input/Output Slave RapidIO Write Requests — Offset: 0x10510

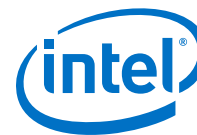
Field	Bits	Access	Function	Default
RSRV	[31:16]	RO	Reserved.	16'h0000
COMPLETED_OR_CANCELLED_WRITES	[15:0]	RO	Number of write-request packets transferred from the Avalon-MM Input/Output Slave module to the Transport layer or cancelled. Count increments when the write-request packet is sent to the Transport layer, or when a write transaction is cancelled. This counter rolls over to 0 after its maximum value.	16'h0000

6.3.6. Error Management Registers

The RapidIO II IP core implements the Error Management Extensions registers. These registers are configured in your RapidIO II IP core variation if you turn on **Enable error management extension registers** on the **Error Management Registers** tab of the RapidIO II parameter editor.

The Error Management Extensions registers can be used by software to diagnose problems with packets that are received by the local endpoint. If enabled, the detected error triggers the assertion of `std_reg_mnt_irq`. Information about the packet that caused the error is captured in the capture registers. After an error condition is detected, the information is captured and the capture registers are locked until the `Error Detect` CSR is cleared. Upon being cleared, the capture registers are ready to capture a new packet that exhibits an error condition.

The offset values within the address space for these registers are defined by the RapidIO standard.



6.3.6.1. Error Management Extensions Extended Features Block Memory Map

Table 153. Error Management Extensions Extended Features Block Memory Map

Address	Register
0x300	Error Management Extensions Block Header
0x304	Reserved
0x308	Logical/Transport Layer Error Detect
0x30C	Logical/Transport Layer Error Enable
0x310	Logical/Transport Layer High Address Capture Reserved – RapidIO II IP core has only 34-bit RapidIO addressing.
0x314	Logical/Transport Layer Address Capture
0x318	Logical/Transport Layer Device ID Capture
0x31C	Logical/Transport Layer Control Capture
0x320 – 0x324	Reserved
0x328	Port-Write Target Device ID
0x32C	Packet Time-to-Live
0x330–0x33C	Reserved
0x340	Port 0 Error Detect
0x344	Port 0 Error Rate Enable
0x348	Port 0 Attributes Capture
0x34C	Port 0 Packet/Control Symbol Capture 0
0x350	Port 0 Packet Capture 1
0x354	Port 0 Packet Capture 2
0x358	Port 0 Packet Capture 3
0x35C – 0x364	Reserved
0x368	Port 0 Error Rate
0x36C	Port 0 Error Rate Threshold

6.3.6.2. Error Management Extensions Block Header

Table 154. Error Management Extensions Block Header – 0x300

Field	Bits	Access	Function	Default
EF_PTR	[31:16]	RO	Hard-wired pointer to the next block in the data structure, if one exists. The value of this field is determined by the Extended features pointer parameter in the RapidIO II parameter editor.	16'h0000
EF_ID	[15:0]	RO	Hard-wired extended features ID.	16'h0007

6.3.6.3. Logical/Transport Layer Error Detect

Table 155. Logical/Transport Layer Error Detect CSR – Offset: 0x308

Field	Bits	Access	Function	Default
IO_ERROR_RSP ⁽⁴³⁾	[31]	RO	Received a response of ERROR for an I/O Logical Layer Request. Set when the RapidIO II IP core detects this situation or when the <code>io_error_response_set</code> input signal changes value from 0 to 1.	1'b0
MSG_ERROR_RESPONSE ⁽⁴³⁾	[30]	RO	Received a response of ERROR for a MSG Logical Layer Request. Set when the RapidIO II IP core detects this situation or when the <code>message_error_response_set</code> input signal changes value from 0 to 1.	1'b0
GSM_ERROR_RESPONSE ⁽⁴³⁾	[29]	RO	Received a response of ERROR for a GSM Logical Layer Request. Set when the RapidIO II IP core detects this situation or when the <code>gsm_error_response_set</code> input signal changes value from 0 to 1.	1'b0
MSG_FORMAT_ERROR ⁽⁴³⁾	[28]	RO	Received MESSAGE packet data payload with an invalid size or segment. Set when the RapidIO II IP core detects this situation or when the <code>message_format_error_response_set</code> input signal changes value from 0 to 1.	1'b0
ILL_TRAN_DECODE	[27]	RO	Received illegal fields in the request/response packet for a supported transaction. Set when the RapidIO II IP core detects this situation or when the <code>illegal_transaction_decode_set</code> input signal changes value from 0 to 1.	1'b0
ILL_TRAN_TARGET	[26]	RO	Received a packet that contained a destination ID that is not defined for this end point. Set when the RapidIO II IP core detects this situation or when the <code>illegal_transaction_target_error_set</code> input signal changes value from 0 to 1. An endpoint with multiple ports and a built-in switch function might not report this situation as an error.	1'b0
MSG_REQ_TIMEOUT ⁽⁴³⁾	[25]	RO	A required message request has not been received within the specified time-out interval. Set when the <code>message_request_timeout_set</code> input signal changes value from 0 to 1.	1'b0
PKT_RSP_TIMEOUT ⁽⁴³⁾	[24]	RO	A required response has not been received within the specified time-out interval. Set when the RapidIO II IP core detects this situation or when the <code>slave_packet_response_timeout_set</code> input signal changes value from 0 to 1.	1'b0
UNSOLICIT_RSP	[23]	RO	Received an unsolicited or unexpected response packet (I/O, message, or GSM logical for endpoints; Maintenance for switches). Set when the RapidIO II IP core	1'b0

continued...

(43) This error is registered for endpoint devices only.



Field	Bits	Access	Function	Default
			detects this situation or when the <code>unsolicited_response_set</code> input signal changes value from 0 to 1.	
UNSUPPORT_TRAN	[22]	RO	Received a transaction that is not supported in the Destination Operations CAR. Set when the RapidIO II IP core detects this situation or when the <code>unsupported_transaction_set</code> input signal changes value from 0 to 1.	1'b0
MISSING_DATA_STRM_CNTXT ⁽⁴³⁾	[21]	RO	Received a continuation or end data streaming segment for a closed or non-existent segmentation context. Set when the <code>missing_data_streaming_context_set</code> input signal changes value from 0 to 1.	1'b0
OPEN_EXSTG_DATA_STRM_CNTXT ⁽⁴³⁾	[20]	RO	Received an initial or single data streaming segment for an already-open segmentation context. Set when the <code>open_existing_data_streaming_context_set</code> input signal changes value from 0 to 1.	1'b0
LONG_DATA_STRM_SGMNT ⁽⁴³⁾	[19]	RO	Received a data streaming segment with a payload size greater than the MTU. Set when the <code>long_data_streaming_segment_set</code> input signal changes value from 0 to 1.	1'b0
SHRT_DATA_STRM_SGMNT ⁽⁴³⁾	[18]	RO	Received a non-final data streaming segment with a payload size less than the MTU. Set when the <code>short_data_streaming_segment_set</code> input signal changes value from 0 to 1.	1'b0
DS_PDU_LEN_ERR ⁽⁴³⁾	[17]	RO	The length of a reassembled PDU differs from the PDU length specified in the end data streaming segment packet header. Set when the <code>data_streaming_pdu_length_error_set</code> input signal changes value from 0 to 1.	1'b0
RSRV	[16:8]	RO	Reserved.	9'h0
Implementation Specific error	[7:0]	RO	This feature is not supported.	8'h00

Note: To clear bits in the Logical/Transport Layer Error Detect CSR, write the value of 32'h0000 to the register. You cannot clear the bits individually.

6.3.6.4. Logical/Transport Layer Error Enable

Table 156. Logical/Transport Layer Error Enable CSR — Offset: 0x30C

Field	Bits	Access	Function	Default
IO_ERROR_RSP_EN	[31]	RW	Enable reporting of the relevant I/O error response. Save and lock original request transaction information in all Logical/Transport Layer Capture CSRs. User logic must provide the correct capture information on the appropriate input signals when asserting the <code>io_error_response_set</code> input port.	1'b0
MSG_ERROR_RESPONSE_EN	[30]	RW	Enable reporting of the relevant I/O error response. Save and lock original request transaction information in all Logical/Transport Layer Capture CSRs. User logic must provide the correct capture information on the appropriate input signals when asserting the <code>message_error_response_set</code> input port.	1'b0
GSM_ERROR_RESPONSE_EN	[29]	RW	Enable reporting of the relevant I/O error response. Save and lock original request transaction information in all Logical/Transport Layer Capture CSRs. User logic must provide the correct capture information on the appropriate input signals when asserting the <code>gsm_error_response_set</code> input port.	1'b0
MSG_FORMAT_ERROR_EN	[28]	RW	Enable reporting of the relevant error. Save and lock received transaction capture information in Logical/Transport Layer Device ID and Control Capture CSRs. User logic must provide the correct capture information on the appropriate input signals when asserting the <code>message_format_error_response_set</code> input port.	1'b0
ILL_TRAN_DECODE_EN	[27]	RW	Enable reporting of the relevant error. Save and lock received transaction capture information in Logical/Transport Layer Device ID and Control Capture CSRs. User logic must provide the correct capture information on the appropriate input signals when asserting the <code>illegal_transaction_decode_set</code> input port.	1'b0
ILL_TRAN_TARGET_EN	[26]	RW	Enable reporting of the relevant error. Save and lock received transaction capture information in Logical/Transport Layer Device ID and Control Capture CSRs. User logic must provide the correct capture information on the appropriate input signals when asserting the <code>illegal_transaction_target_error_set</code> input port.	1'b0
MSG_REQ_TIMEOUT_EN	[25]	RW	Enable reporting of a Message Request time-out error. Save and lock original request transaction information in Logical/Transport Layer Device ID and Control Capture CSRs for the last Message request segment packet received. User logic must provide the correct capture information on the appropriate input signals when asserting the <code>message_request_timeout_set</code> input port.	1'b0
PKT_RSP_TIMEOUT_EN	[24]	RW	Enable reporting of a packet response time-out error. Save and lock original request address in Logical/Transport Layer Address Capture CSRs. Save and lock original request destination ID in Logical/Transport Layer Device ID Capture CSR. User logic must provide the correct capture information on the appropriate input signals when asserting the <code>slave_packet_response_timeout_set</code> input port.	1'b0
UNSOLICITED_RESPONSE_EN	[23]	RW	Enable reporting of an unsolicited response error (I/O, message, or GSM logical for endpoints; Maintenance for switches). Save and lock transaction capture information in Logical/Transport Layer Device ID and Control Capture CSRs. User logic must provide the correct capture information on the appropriate input signals when asserting the <code>unsolicited_response_set</code> input port.	1'b0
UNSUPPORTED_TRANSACTION_EN	[22]	RW	Enable reporting of an unsupported transaction error. Save and lock transaction capture information in Logical/Transport Layer Device ID and Control Capture CSRs. User logic must provide the correct capture information on the appropriate input signals when asserting the <code>unsupported_transaction_set</code> input port.	1'b0

continued...



Field	Bits	Access	Function	Default
MISSING_DATA_STRM_CNTXT_EN	[21]	RW	Enable reporting of a continuation or end data streaming segment for a closed or non-existent segmentation context. Save and lock capture information in the appropriate Logical/Transport Layer Control Capture CSRs. User logic must provide the correct capture information on the appropriate input signals when asserting the <code>missing_data_streaming_context_set</code> input port.	1'b0
OPEN_EXSTG_DATA_STRM_CNTXT_EN	[20]	RW	Enable reporting of an initial or single data streaming segment for an already-open segmentation context. Save and lock capture information in the appropriate Logical/Transport Layer Control Capture CSRs. User logic must provide the correct capture information on the appropriate input signals when asserting the <code>open_existing_data_streaming_context_set</code> input port.	1'b0
LONG_DATA_STREAM_SGMNT_EN	[19]	RW	Enable reporting of a data streaming segment with a payload size greater than the MTU. Save and lock capture information in the appropriate Logical/Transport Layer Control Capture CSRs. User logic must provide the correct capture information on the appropriate input signals when asserting the <code>long_data_streaming_segment_set</code> input port.	1'b0
SHRT_DATA_STREAM_SGMNT_EN	[18]	RW	Enable reporting of a non-final data streaming segment with a payload size less than the MTU. Save and lock capture information in the appropriate Logical/Transport Layer Control Capture CSRs. User logic must provide the correct capture information on the appropriate input signals when asserting the <code>short_data_streaming_segment_set</code> input port.	1'b0
DS_PDU_LEN_ERROR_EN	[17]	RW	Enable reporting of a reassembled PDU that differs from the PDU length specified in the end data streaming segment packet header. Save and lock capture information in the appropriate Logical/Transport Layer Control Capture CSRs. User logic must provide the correct capture information on the appropriate input signals when asserting the <code>data_streaming_pdu_length_error_set</code> input port.	1'b0
RSRV	[16:8]	RO	Reserved.	9'h0
Implementation Specific error	[7:0]	RO	This feature is not supported.	8'h00

6.3.6.5. Logical/Transport Layer Address Capture

Table 157. Logical/Transport Layer Address Capture CSR – Offset: 0x314

Field	Bits	Access	Function	Default
ADDRESS	[31:3]	RW	Least significant 29 bits of the RapidIO address associated with the error (for requests, for responses if available). In the case of a Maintenance response with Error status, the IP core sets this field to the 21-bit <code>config_offset</code> value from the original request.	29'h0
RSRV	[2]	RO	Reserved.	1'b0
XAMSBS	[1:0]	RW	Extended address bits of the address associated with the error (for requests, for responses if available).	2'b00

6.3.6.6. Logical/Transport Layer Device ID Capture

Table 158. Logical/Transport Layer Device ID Capture CSR – Offset: 0x318

Field	Bits	Access	Function	Default
LARGE_DESTINATION_ID (MSB)	[31:24]	RO	MSB of the Destination ID if the system supports 16-bit device ID. Reserved if the system does not support 16-bit device ID.	8'h00
DESTINATION_ID	[23:16]	RO	The destination ID associated with the error.	8'h00
LARGE_SOURCE_ID (MSB)	[15:8]	RO	MSB of the Source ID if the system supports 16-bit device ID. Reserved if the system does not support 16-bit device ID.	8'h00
SOURCE_ID	[7:0]	RO	The source ID associated with the error.	8'h00

Note: For errors the RapidIO II IP core does not detect internally, set this field using the `external_capture_destinationID_wr` and `external_capture_destinationID_in` input signals. For errors the RapidIO II IP core does not detect internally, set this field using the `external_capture_sourceID_wr` and `external_capture_sourceID_in` input signals.

6.3.6.7. Logical/Transport Layer Control Capture

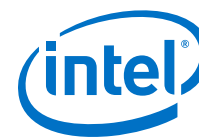
Table 159. Logical/Transport Layer Control Capture CSR – Offset: 0x31C

Field	Bits	Access	Function	Default
FTYPE ⁽⁴⁴⁾	[31:28]	RO	Format type associated with the error.	4'h0
TTYPE ⁽⁴⁵⁾	[27:24]	RO	Transaction type associated with the error.	4'h0
MSG_INFO ⁽⁴⁶⁾	[23:16]	RO	Letter, mbox, and msgseg for the last message request received for the mailbox that had an error.	8'h00
Implementation Specific	[15:0]	RO	Reserved for this implementation.	16'h0000

⁽⁴⁴⁾ For errors the RapidIO II IP core does not detect internally, set this field using the `capture_ftype_wr` and `capture_ftype_in` input signals.

⁽⁴⁵⁾ For errors the RapidIO II IP core does not detect internally, set this field using the `capture_ttype_wr` and `capture_ttype_in` input signals.

⁽⁴⁶⁾ For errors the RapidIO II IP core does not detect internally, set this field using the `letter_wr`, `mbox_wr`, `msgseg_wr`, and `xmbox_wr`, and `letter_in`, `mbox_in`, `msgseg_in`, and `xmbox_in` input signals.



6.3.6.8. Port-Write Target Device ID

Table 160. Port-Write Target Device ID CSR – Offset: 0x328

Field	Bits	Access	Function	Default
deviceID_MSB	[31:24]	RW/RO	MSB of the Maintenance port-write target device ID to report errors to a system host, if the system supports 16-bit device ID. Reserved if the system does not support 16-bit device ID.	8'h00
deviceID	[23:16]	RW	Port-write target device ID.	8'h00
LARGE_TRANSPORT	[15]	RW	Specifies the correct device ID size for a Maintenance port-write transaction to report errors to a system host: <ul style="list-style-type: none"> 1'b0: Use the small transport device ID. 1'b1: Use the large transport device ID. 	1'b0
RSRV	[14:0]	RO	Reserved.	15'h0

6.3.6.9. Packet Time-to-Live

Table 161. Packet Time-to-Live CSR – Offset: 0x32C

Field	Bits	Access	Function	Default
TIME_TO_LIVE	[31:16]	RW	Maximum time duration that a packet is allowed to remain in a switch device, where the value of 0xFFFF indicates 100 ms \pm 34%. The RapidIO II IP core does not use the contents of this field. The field value is available on the <code>time_to_live</code> output signal.	16'h0000
RSRV	[15:0]	RO	Reserved.	16'h0000

6.3.6.10. Port 0 Error Detect

Table 162. Port 0 Error Detect CSR – Offset: 0x340

Field	Bits	Access	Function	Default
RSRV	[31]	RO	Reserved for this implementation.	1'b0
RSRV	[30:24]	RO	Reserved.	7'h0
RSRV	[23]	RO	Reserved for this implementation. The RapidIO II IP core does not support the Parallel RapidIO protocol.	1'b0
Received corrupt control symbol	[22]	RW	Received a control symbol with a bad CRC value.	1'b0
Received ACK control symbol with unexpected ackID	[21]	RW	Received a packet-accepted or packet-retry control symbol with an unexpected ackID.	1'b0
<i>continued...</i>				



Field	Bits	Access	Function	Default
Received packet-not-accepted control symbol	[20]	RW	Received a packet-not-accepted control symbol.	1'b0
Received packet with unexpected ackID	[19]	RW	Received a packet with an unexpected ackID value — an out-of-sequence ackID.	1'b0
Received packet with bad CRC	[18]	RW	Received a packet with a bad CRC value.	1'b0
Received packet exceeding max size	[17]	RW	Received a packet that exceeds the maximum allowed size. For MAINTENANCE packets, the maximum allowed size is 78 bytes. For non-Maintenance packets, the maximum allowed size is 276 bytes.	1'b0
Received illegal or invalid character	[16]	RW	Received an 8B10B code group that is invalid (has no decode with the current running disparity) or illegal (valid code group not allowed by the RapidIO protocol), When this bit is set, bit [2], Delineation error, is also set.	1'b0
Received data character in IDLE1 sequence	[15]	RW	Reserved for this implementation, The RapidIO II IP core does not support the IDLE1 sequence.	1'b0
Loss of descrambler synchronization	[14]	RW	Loss of receiver descrambler synchronization while receiving scrambled control symbol and packet data.	1'b0
RSRV	[13:6]	RO	Reserved.	7'h0
Non-outstanding ackID	[5]	RW	Received a link-response control symbol with an ackID that is not outstanding. Only triggers if at least one ackID is outstanding.	1'b0
Protocol error	[4]	RW	Received an unexpected control symbol.	1'b0
RSRV	[3]	RO	Reserved for this implementation.	1'b0
Delineation error	[2]	RW	Received an 8B10B code group that is invalid (has no decode with the current running disparity), or illegal (valid code group not allowed by the RapidIO protocol), or is in a disallowed position in the received code-group stream. In the first two cases, bit [16] is also set to the value of 1.	1'b0
Unsolicited ACK control symbol	[1]	RW	Received an unexpected packet acknowledgement control symbol.	1'b0
Link timeout	[0]	RW	Did not receive expected packet acknowledgement or link-response control symbol within the time-out interval specified in the VALUE field of the Port Link Time-Out Control CSR or the Port Response Time-Out Control CSR.	1'b0



6.3.6.11. Port 0 Error Rate Enable

Table 163. Port 0 Error Rate Enable CSR — Offset: 0x344

Field	Bits	Access	Function	Default
RSRV	[31]	RO	Reserved for this implementation.	1'b0
RSRV	[30:24]	RO	Reserved.	7'h0
RSRV	[23]	RO	Enable error rate counting of corresponding error.	1'b0
Received corrupt control symbol enable	[22]	RW	Enable error rate counting of corresponding error.	1'b0
Received ACK control symbol with unexpected ackID enable	[21]	RW	Enable error rate counting of corresponding error.	1'b0
Received packet-not-accepted control symbol enable	[20]	RW	Enable error rate counting of corresponding error.	1'b0
Received packet with unexpected ackID enable	[19]	RW	Enable error rate counting of corresponding error.	1'b0
Received packet with bad CRC enable	[18]	RW	Enable error rate counting of corresponding error.	1'b0
Received packet exceeding max size enable	[17]	RW	Enable error rate counting of corresponding error.	1'b0
Received illegal or invalid character enable	[16]	RW	Enable error rate counting of corresponding error.	1'b0
Received data character in IDLE1 sequence enable	[15]	RW	Reserved for this implementation, The RapidIO II IP core does not support the IDLE1 sequence.	1'b0
Loss of descrambler synchronization enable	[14]	RW	Enable error rate counting of corresponding error.	1'b0

continued...

Field	Bits	Access	Function	Default
RSRV	[13:6]	RO	Reserved.	7'h0
Non-outstanding ackID enable	[5]	RW	Enable error rate counting of corresponding error.	1'b0
Protocol error enable	[4]	RW	Enable error rate counting of corresponding error.	1'b0
RSRV	[3]	RO	Reserved for this implementation.	1'b0
Delineation error enable	[2]	RW	Enable error rate counting of corresponding error.	1'b0
Unsolicited ACK control symbol enable	[1]	RW	Enable error rate counting of corresponding error.	1'b0
Link timeout enable	[0]	RW	Enable error rate counting of corresponding error.	1'b0

6.3.6.12. Port 0 Attributes Capture

Table 164. Port 0 Attributes Capture CSR – Offset: 0x348

Field	Bits	Access	Function	Default
INFO_TYPE	[31:29]	RO	Indicates the type of information logged. The RapidIO II IP core supports only the following valid values for this field: <ul style="list-style-type: none"> 3'b000: Packet. 3'b011: Long control symbol. 3'b100: Implementation specific. 	3'b000
ERROR_TYPE	[28:24]	RO	The encoded value of the bit in the Port 0 Error Detect CSR that describes the error captured in the Port 0 Packet/Control Symbol Capture 0-3 CSRs. The encoding is 31 minus the binary number that represents the bit position in the CSRs.	5'h0
IMPL_DEPENDENT	[23:8]	RO	The RapidIO II IP core uses this field as recommended in the <i>RapidIO v2.2 specification</i> . If the value of the INFO_TYPE field is 3'b000, indicating a packet, this field captures the control bits of the first 16 packet characters. If the value of the INFO_TYPE field is 3'b011, indicating a long control symbol, bits [23:16] of this field capture the eight control bits of the delimited long control symbol. If the value of the INFO_TYPE field is 3'b100, indicating implementation-specific information, this field is undefined.	16'h0000
RSRV	[7:1]	RO	Reserved.	7'h0
CAPTURE_VAL ID_INFO	[0]	RW	Indicates that the Port 0 Packet/Control Symbol Capture 0-3 CSRs, and the other bits in the Port 0 Attributes Capture CSR contain	1'b0

continued...



Field	Bits	Access	Function	Default
			valid information and are locked. To reset this bit and unlock the other fields in this register, you must write the value of 1'b0 to the CAPTURE_VALID_INFO bit. If INFO_TYPE is 3'b011, Long control symbol, only the Port 0 Packet/Control Symbol Capture 0 CSR has valid information when these registers are locked. If INFO_TYPE is 3'b100, Implementation specific, none of these registers has valid information when they are locked. However, the CAPTURE_VALID_INFO bit is asserted when the registers are locked.	

6.3.6.13. Port 0 Packet/Control Symbol Capture 0

Table 165. Port 0 Packet/Control Symbol Capture 0 CSR – Offset: 0x34C

Field	Bits	Access	Function	Default
CAPTURE_0	[31:0]	RO	Contains the first four bytes of the packet or long control symbol, based on the INFO_TYPE field of the Port 0 Attributes Capture CSR.	32'h0

6.3.6.14. Port 0 Packet Capture 1

Table 166. Port 0 Packet Capture 1 CSR – Offset: 0x350

Field	Bits	Access	Function	Default
CAPTURE_1	[31:0]	RO	Contains the fifth through eighth bytes of the packet or long control symbol, based on the INFO_TYPE field of the Port 0 Attributes Capture CSR.	32'h0

6.3.6.15. Port 0 Packet Capture 2

Table 167. Port 0 Packet Capture 2 CSR—Offset: 0x354

Field	Bits	Access	Function	Default
CAPTURE_2	[31:0]	RO	Contains the ninth through twelfth bytes of the packet, if the INFO_TYPE field of the Port 0 Attributes Capture CSR has the value of 3'b000 (Packet).	32'h0

6.3.6.16. Port 0 Packet Capture 3

Table 168. Port 0 Packet Capture 3 CSR – Offset: 0x358

Field	Bits	Access	Function	Default
CAPTURE_3	[31:0]	RO	Contains the thirteenth through sixteenth bytes of the packet if the INFO_TYPE field of the Port 0 Attributes Capture CSR has the value of 3'b000 (Packet).	32'h0

6.3.6.17. Port 0 Error Rate

Table 169. Port 0 Error Rate CSR – Offset: 0x368

Field	Bits	Access	Function	Default
ERR_RATE_BIAS	[31:24]	RW	Specifies the rate at which the ERR_RATE_COUNTER field is decremented. This field supports the following valid values: <ul style="list-style-type: none"> 8'h00: Do not decrement the error rate counter. 8'h01: Decrement every 1 ms ($\pm 34\%$). 8'h02: Decrement every 10 ms ($\pm 34\%$). 8'h04: Decrement every 100 ms ($\pm 34\%$). 8'h08: Decrement every 1 s ($\pm 34\%$). 8'h10: Decrement every 10 s ($\pm 34\%$). 8'h20: Decrement every 100 s ($\pm 34\%$). 8'h40: Decrement every 1000 s ($\pm 34\%$). 8'h80: Decrement every 10,000 s ($\pm 34\%$). All other values are reserved.	8'h00
RSRV	[23:18]	RO	Reserved.	6'h0
ERR_RATE_RECOVERY	[17:16]	RW	Specifies the additional incrementing of the ERR_RATE_COUNTER that is allowed beyond the current value of the Error rate failed threshold trigger (ERR_RATE_FAILED_THRESHOLD field of the Port 0 Error Rate Threshold CSR. This field supports the following values <ul style="list-style-type: none"> :2'b00: Can increment 2 errors about the specified threshold. 2'b01: Can increment 4 errors above the specified threshold. 2'b10: Can increment 16 errors above the specified threshold. 2'b11: Do not limit incrementing the error rate count. 	2'b11
PEAK_ERR_RATE	[15:8]	RW	The highest value attained by the ERR_RATE_COUNTER field since the ERR_RATE_COUNTER field was last reset.	8'h00
ERR_RATE_COUNTER	[7:0]	RW	Lower bound on the number of Physical layer errors that have been detected by the IP core, counting the errors enabled by the Port 0 Error Rate Enable CSR, saturated according to the ERR_RATE_RECOVERY mechanism, and decremented by the ERR_RATE_BIAS mechanism. This counter increments once for every clock cycle in which at least one Physical layer error is detected by the IP core. However, if the IP core detects an error in a control symbol, this field might increment twice. This field provides an indication of the Physical layer error rate.	8'h00



6.3.6.18. Port 0 Error Rate Threshold

Table 170. Port 0 Error Rate Threshold CSR — Offset: 0x36C

Field	Bits	Access	Function	Default
ERR_RATE_FAILED_THRESHOLD	[31:24]	RW	Threshold value for reporting to the system host an error condition due to a possibly broken link. The value of 0 indicates the threshold is disabled.	8'hFF
ERR_RATE_DEGR_THRESHOLD	[23:16]	RW	Threshold value for reporting to the system host an error condition due to a degrading link. The value of 0 indicates the threshold is disabled.	8'hFF
RSRV	[15:0]	RO	Reserved.	16'h00

6.3.7. Doorbell Message Registers

The RapidIO II IP core has registers accessible by the Avalon-MM slave port in the Doorbell module.

6.3.7.1. Doorbell Module Registers Memory Map

Table 171. Doorbell Module Registers Memory Map

Address	Register
0x10600	Rx Doorbell
0x10604	Rx Doorbell Status
0x10608	Tx Doorbell Control
0x1060C	Tx Doorbell
0x10610	Tx Doorbell Status
0x10614	Tx Doorbell Completion
0x10618	Tx Doorbell Completion Status
0x1061C	Tx Doorbell Status Control
0x10620	Doorbell Interrupt Enable
0x10624	Doorbell Interrupt Status

6.3.7.2. Rx Doorbell

Table 172. Rx Doorbell — Offset: 0x10600

Field	Bits	Access	Function	Default
LARGE_SOURCE_ID (MSB)	[31:24]	RO	MSB of the DOORBELL message initiator device ID if the system 8'b0 supports 16-bit device ID. Reserved if the system does not support 16-bit device ID.	8'h00
SOURCE_ID	[23:16]	RO	Device ID of the DOORBELL message initiator.	8'h00
INFORMATION (MSB)	[15:8]	RO	Received DOORBELL message information field, MSB.	8'h00
INFORMATION (LSB)	[7:0]	RO	Received DOORBELL message information field, LSB.	8'h00

Table 173. Rx Doorbell Status – Offset: 0x10604

Field	Bits	Access	Function	Default
RSRV	[31:8]	RO	Reserved.	24'h0
FIFO_LEVEL	[7:0]	RO	Shows the number of available DOORBELL messages in the Rx FIFO. A maximum of 16 received messages is supported.	8'h00

6.3.7.3. Tx Doorbell

Table 174. Tx Doorbell Control – Offset: 0x10608

Field	Bits	Access	Function	Default
RSRV	[31:2]	RO	Reserved.	30'h0
PRIORITY	[1:0]	RW	Request Packet's priority. 2'b11 is not a valid value for the priority field. An attempt to write 2'b11 to this field will be overwritten as 2'b10.	2'b00

Table 175. Tx Doorbell – Offset: 0x1060C

Field	Bits	Access	Function	Default
LARGE_DESTINATION_ID (MSB)	[31:24]	RW/RO	MSB of the targeted RapidIO processing element device ID if the system supports 16-bit device ID. Reserved if the system does not support 16-bit device ID.	8'h00
DESTINATION_ID	[23:16]	RW	Device ID of the targeted RapidIO processing element.	8'h00
INFORMATION (MSB)	[15:8]	RW	MSB information field of the outbound DOORBELL message.	8'h00
INFORMATION (LSB)	[7:0]	RW	LSB information field of the outbound DOORBELL message.	8'h00

Table 176. Tx Doorbell Status – Offset: 0x10610

Field	Bits	Access	Function	Default
RSRV	[31:24]	RO	Reserved.	8'h00
PENDING	[23:16]	RO	Number of DOORBELL messages that have been transmitted, but for which a response has not been received. There can be a maximum of 16 pending DOORBELL messages.	8'h00
TX_FIFO_LEVEL	[15:8]	RO	The number of DOORBELL messages in the staging FIFO plus the number of DOORBELL messages in the Tx FIFO. The maximum value is 16.	8'h00
TXCPL_FIFO_LEVEL	[7:0]	RO	The number of available completed Tx DOORBELL messages in the Tx Completion FIFO. The FIFO can store a maximum of 16.	8'h00



Table 177. Tx Doorbell Completion – Offset: 0x10614

The completed Tx DOORBELL message comes directly from the Tx Doorbell Completion FIFO.

Field	Bits	Access	Function	Default
LARGE_DESTINATION_ID (MSB)	[31:24]	RO	MSB of the targeted RapidIO processing element device ID if the system supports 16-bit device ID. Reserved if the system does not support 16-bit device ID.	8'h00
DESTINATION_ID	[23:16]	RO	Device ID of the targeted RapidIO processing element.	8'h00
INFORMATION (MSB)	[15:8]	RO	MSB information field of the outbound DOORBELL message that has been confirmed as successful or unsuccessful.	8'h00
INFORMATION (LSB)	[7:0]	RO	LSB information field of the outbound DOORBELL message that has been confirmed as successful or unsuccessful.	8'h00

Table 178. Tx Doorbell Completion Status – Offset: 0x10618

Field	Bits	Access	Function	Default
RSRV	[31:2]	RO	Reserved.	30'h0
ERROR_CODE	[1:0]	RO	This error code corresponds to the most recently read message from the Tx Doorbell Completion register. After software reads the Tx Doorbell Completion register, a read to this register should follow to determine the status of the message. <ul style="list-style-type: none"> • 2'b00 – Response DONE status • 2'b01 – Response with ERROR status • 2'b10 – Time-out error 	2'b00

Table 179. Tx Doorbell Status Control – Offset: 0x1061C

Field	Bits	Access	Function	Default
RSRV	[31:2]	RO	Reserved.	30'h0
ERROR	[1]	RW	If set, outbound DOORBELL messages that received a response with ERROR status, or were timed out, are stored in the Tx Completion FIFO. Otherwise, no error reporting occurs.	1'b0
COMPLETED	[0]	RW	If set, responses to successful outbound DOORBELL messages are stored in the Tx Completion FIFO. Otherwise, these responses are discarded.	1'b0

6.3.7.4. Doorbell Interrupt

Table 180. Doorbell Interrupt Enable – Offset: 0x10620

Field	Bits	Access	Function	Default
RSRV	[31:3]	RO	Reserved	29'h0
TX_CPL_OVERFLOW	[2]	RW	Tx Doorbell Completion Buffer Overflow Interrupt Enable	1'b0
TX_CPL	[1]	RW	Tx Doorbell Completion Interrupt Enable	1'b0
RX	[0]	RW	Doorbell Received Interrupt Enable	1'b0

Table 181. Doorbell Interrupt Status — Offset: 0x10624

Field	Bits	Access	Function	Default
RSRV	[31:3]	RO	Reserved.	29'h0
TX_CPL_OVERFLOW	[2]	RW1C	Interrupt asserted due to Tx Completion buffer overflow. This bit remains set until at least one entry is read from the Tx Completion FIFO. After reading at least one entry, software should clear this bit. It is not necessary to read all of the Tx Completion FIFO entries.	1'b0
TX_CPL	[1]	RW1C	Interrupt asserted due to Tx completion status	1'b0
RX	[0]	RW1C	Interrupt asserted due to received messages	1'b0

7. Testbench

The RapidIO II IP core includes a demonstration testbench for your use. The testbench demonstrates how to instantiate the IP core in a design and includes some simple stimulus to control the user interfaces of the RapidIO II IP core. The purpose of the supplied testbench is to provide an example of how to parameterize the IP core and how to use the Avalon Memory-Mapped (Avalon-MM) and Avalon Streaming (Avalon-ST) interfaces to generate and process RapidIO transactions.

The testbench demonstrates the following functions:

- Port initialization process.
- Transmission, reception, and acknowledgment of packets with 8 to 256 bytes of data payload.
- Support for 8-bit or 16-bit device ID fields.
- Reading from the software interface registers.
- Transmission and reception of multicast-event control symbols.

The testbench also demonstrates how to connect your RapidIO II IP core variation to the Transceiver PHY Reset Controller IP core. The RapidIO II IP core provides only a Verilog testbench. If you generate a VHDL IP core variation, you must use a mixed-language simulator or create your own testbench.

7.1. Testbench Overview

The testbench generates and monitors transactions on the Avalon-MM interfaces and Avalon-ST interface. MAINTENANCE, Input/Output, or DOORBELL transactions are generated if you select the corresponding modules during parameterization of the IP core.

The testbench instantiates two symmetrical RapidIO II IP core variations, each associated with the Transceiver PHY Reset Controller IP core. One instance is the Device Under Test (DUT), named `rio_inst`. The other instance acts as a RapidIO link partner for the RapidIO DUT module and is referred to as the `sister_rio` module. The two instances are interconnected through their high-speed serial interfaces. In the testbench, each IP core's `td` output is connected to the other IP core's `rd` input.

The `sister_rio` module, named `sis_rio_inst`, responds to transactions initiated by the DUT and generates transactions to which the DUT responds. Bus functional models (BFM) are connected to the Avalon-MM and Avalon-ST interfaces of both the DUT and `sister_rio` modules, to generate transactions to which the link partner responds when appropriate, and to monitor the responses. All of the available Avalon-MM interfaces are enabled in the block diagram of the testbench. The two IP cores communicate with each other using the RapidIO interface. The testbench initiates the following transactions at the DUT and targets them to the `sister_rio` module:

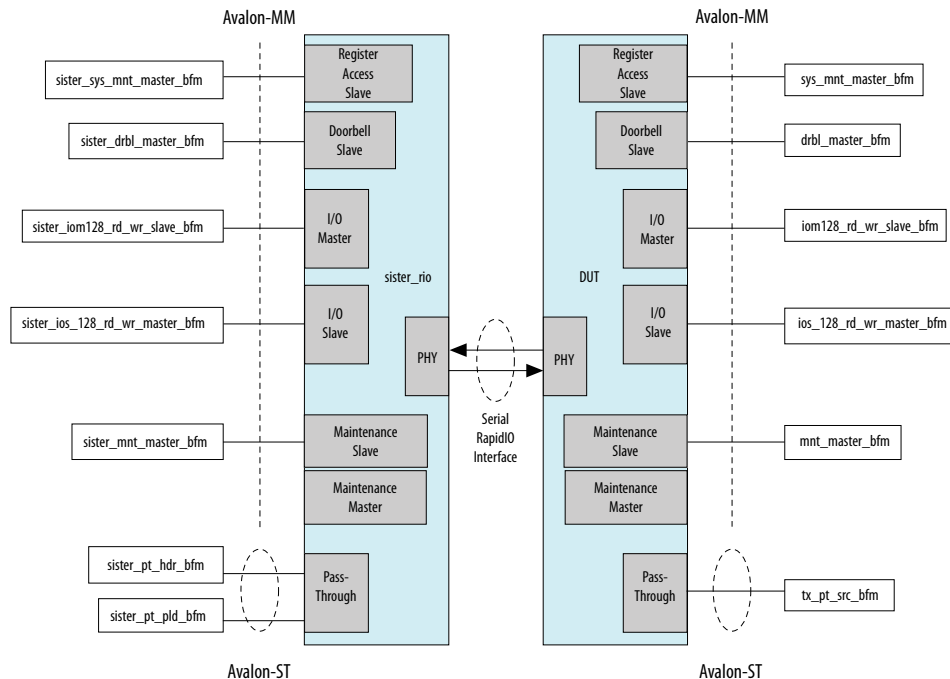
- SWRITE
- NWRITE_R
- NWRITE
- NREAD
- DOORBELL messages
- MAINTENANCE writes and reads
- MAINTENANCE port writes and read

Note: Your specific variation may not have all of the interfaces enabled. If an interface is not enabled, the transactions supported by that interface are not exercised by the testbench.

In addition, the RapidIO II IP core modules implement the following features:

- Multicast-event control symbol transmission and reception. The RapidIO II IP core under test generates and transmits multicast-event control symbols in response to transitions on its `send_multicast_event` input signal. The sister module checks that these control symbols arrive as expected.
- Disabled destination ID checking, or not, selected at configuration.
- Indication of `NWRITE_R` transactions that do not complete before the end of the test sequence.

Figure 40. RapidIO II IP Core Testbench





The testbench generates and checks activity across the Avalon-MM interfaces by running tasks that are defined in the BFM. The file **tb_rio.v** implements the code that performs the test transactions. The code performs a reset and initialization sequence necessary for the DUT and sister_rio IP cores to establish a link and exchange packets.

7.2. Testbench Sequence

The RapidIO II IP core testbench resets the DUT and the sister_rio module and initiates a sequence of transactions on each Avalon-MM and Avalon-ST interface that is relevant to this RapidIO II IP core variation.

7.2.1. Reset, Initialization, and Configuration

The clocks that drive the testbench are defined and generated in the `tb_rio.sv` file. The frequencies used for each of the clocks depend on the configuration of the variation.

The reset sequence is simple — the main reset signal for the DUT and the sister_rio IP core, `rst_n`, is driven low at the beginning of the simulation, is kept low for 200 ns, and is then deasserted. The testbench also includes two Transceiver PHY Reset Controller IP cores, connected to the DUT and sister IP core. While `rst_n` is asserted, the `reset` input signal to the Transceiver PHY Reset Controller IP core is also asserted.

After `rst_n` is deasserted, the testbench waits until both the DUT and the sister_rio modules have driven their `port_initialized` output signals high. These signal transitions indicate that both IP cores have completed their initialization sequence. The testbench then waits an additional 5000 ns, to allow time for a potential reset link-request control symbol exchange between the DUT and the sister_rio module. The testbench again waits until both the DUT and the sister_rio modules have driven their `port_initialized` output signals high. Following the 5000 ns wait, the testbench checks that the port initialization process completed successfully by reading the Error and Status CSR to confirm the expected values of the `PORT_OK` and `PORT_UNINIT` register bits. These register fields indicate that the link is established and the Physical layer is ready to exchange traffic.

Next, basic programming of the internal registers is performed in the DUT and the sister_rio module.

Table 182. Testbench Registers

Module	Register Address	Register Name	Description	Value
rio	0x00060	Base Device ID CSR	Program the DUT to have an 8-bit base device ID of 0xAB or a 16-bit device ID of 0xABAB.	32'h00AB_FFFF or 32'h00FF_ABAB
rio	0x0013C	General Control CSR	Enable Request packet generation by the DUT.	32'h6000_0000
sister_rio	0x00060	Base Device ID CSR	Program the sister_rio module to have an 8-bit base device ID of 0xCD or a 16-bit device ID of 0xCDCD.	32'h00CD_FFFF or 32'h00FF_CDCD
sister_rio	0x0013C	General Control CSR	Enable Request packet generation by the sister_rio module.	32'h6000_0000

continued...

Module	Register Address	Register Name	Description	Value
rio	0x1040C	Input/Output Slave Window 0 Control	Set the DESTINATION_ID for outgoing transactions to a value 0xCD or 0xCDCD. The width of the DESTINATION_ID field depends on the sister_rio device ID width. This value matches the base device ID of the sister_rio module.	32'h00CD_0000 or 32'hCDCD_0000
rio	0x10404	Input/Output Slave Window 0 Mask	Define the Input/Output Avalon-MM Slave Window 0 to cover the whole address space (mask set to all zeros) and enable it.	32'h0000_0004
rio	0x10504	Input/Output Slave Interrupt Enable	Enable the I/O slave interrupts.	32'h0000_000F
sister_rio	0x10304	Input/Output Master Window 0 Mask	Enable the sister_rio I/O Master Window 0, which allows the sister_rio to receive I/O transactions.	32'h0000_0004
rio	0x1010C	TX Maintenance Window 0 Control	Set the DESTINATION_ID for outgoing MAINTENANCE packets to 0xCD or 0xCDCD, depending on the sister_rio device ID width. This value matches the base device ID of the sister_rio module. Set the hop count to 0xFF.	32'h00CD_FF00 or 32'hCDCD_FF00
rio	0x10104	TX Maintenance Window 0 Mask	Enable the TX Maintenance window 0.	32'h0000_0004

Read and write tasks that are defined in the BFM instance `sys_mnt_master_bfm` program the DUT's registers. Read and write tasks defined in the BFM instance `sister_sys_mnt_master_bfm` program the `sister_rio` module's registers. For the exact parameters passed to these tasks, refer to the file `tb_rio.v`. The tasks drive read and write transactions across the Register Access Avalon-MM slave interface.

7.2.2. Maintenance Write and Read Transactions

If the Maintenance module is present, the testbench sends a few MAINTENANCE read and write request packets from the DUT to the `sister_rio` module. Transactions are initiated by Avalon-MM transactions on the DUT's Maintenance Avalon-MM slave interface, and are checked on the `sister_rio`'s Maintenance Avalon-MM master interface.

The first set of tests performed are MAINTENANCE write and read requests. The DUT sends two MAINTENANCE write requests to the `sister_rio` module. The testbench performs the writes by running the `mnt_test_rw_trans` task with the following parameter values:

- ``WRITE` — transaction type to be executed
- `mnt_address` — address to be driven on the Avalon-MM address bus
- `mnt_wr_data` — write data to be driven on the Avalon-MM write data bus

The task performs the write transaction across the Maintenance Write Avalon-MM slave interface.



The DUT then sends two MAINTENANCE read requests to the sister_rio module. The testbench performs the writes by running the mnt_test_rw_trans task with the following parameter values:

- `READ — transaction type to be executed
- mnt_address — address to be driven on the Avalon-MM address bus
- mnt_rd_data — parameter that stores the data read across the Avalon-MM read data bus

The mnt_test_rw_trans task performs the read transaction across the Maintenance Read Avalon-MM slave interface.

The write transaction the testbench sends across the Avalon-MM interface is translated by the DUT to a RapidIO MAINTENANCE write request packet. Similarly, the read transaction across the Avalon-MM interface is translated to a RapidIO MAINTENANCE read request packet.

The MAINTENANCE write and read request packets are received by the sister_rio module and translated to Avalon-MM transactions that are presented across the sister_rio module’s Maintenance master Avalon-MM interface. In the testbench, the write and read transactions are checked and data is returned for the read operation. The read data is checked after it is received by the DUT.

7.2.3. SWRITE Transactions

The next set of operations performed are Streaming Writes (SWRITE). To perform SWRITE operations, one register in the IP core must be reconfigured as shown below:

Table 183. SWRITE Register

Module	Register Address	Register Name	Description	Value
rio	0x1040C	Input/Output Slave Mapping Window 0 Control	Sets the DESTINATION_ID for outgoing transactions to the value 0xCD or 0xCDCD, depending on the device ID width of the sister_rio. This value matches the base device ID of the sister_rio module. Enables SWRITE operations.	32'h00CD_0002 or 32'hCDCD_0002

With these settings, any write operation presented across the Input/Output Avalon-MM slave interface on the rio module is translated to a RapidIO Streaming Write transaction.

Note: The Avalon-MM write address must map into Input/Output Slave Window 0. However, in this example the window is set to cover the entire Avalon-MM address space by setting the mask to all zeros.

The testbench generates a predetermined series of burst writes across the Avalon-MM slave I/O interface on the DUT. These write bursts are each converted to an SWRITE request packet sent on the RapidIO serial interface. As, the Streaming Writes only support bursts that are multiples of a double word (multiple of 8 bytes), the testbench cycles from 8 to MAX_WRITTEN_BYTES in steps of 8 bytes. The ios_128_rd_wr_master_bfm_read_write_cmd task generates and checks the streaming write transaction.

At the `sister_rio` module, the `SWRITE` request packets are received and translated into Avalon-MM transactions that are presented across the Input/Output master Avalon-MM interface. The testbench calls the task `read_write_data` of the `sister_iom128_rd_wr_slave_bfm` to capture the written data. The written data is then checked against the expected value by running an `expect_1` task. After completing the `SWRITE` tests, the testbench performs `NREAD` operations.

7.2.4. NREAD Transactions

The next set of transactions tested are `NREADS`. The DUT sends a group of `NREAD` transactions to the `sister_rio` module by cycling the read burst size from four to five in increments of 16 bytes. For each iteration, the `ios_128_rd_wr_master_bfm` `read_write_cmd` and `read_data` tasks are called. The task performs the read request packets across the I/O Avalon-MM Slave Read interface. The read transaction across the Avalon-MM interface is translated into a RapidIO `NREAD` request packets.

The `NREAD` request packets are received by the DUT and are translated into Avalon-MM read transactions that are presented across the `sister_rio` module's I/O master Avalon-MM interface. The `sister_iom128_rd_wr_slave_bfm` module checks the read operations and returns data by calling the `sister_iom128_rd_wr_slave_bfm` `write_read_data` task. This task drives the data and `read_datavalid` control signals on the Avalon-MM master read port of the `sister_rio` module.

The returned data is expected at the DUT's I/O Avalon-MM slave interface. The `ios_128_rd_wr_master_bfm` `read_data` task captures the read data. The read data and the expected value are then compared to ensure that they are equal.

7.2.5. NWRITE_R Transactions

To perform `NWRITE_R` operations, one register in the IP core must be reconfigured as shown below:

Table 184. NWRITE_R Transactions

Module	Register Address	Register Name	Description	Value
rio	0x1040C	Input/Output Slave Mapping Window 0 Control	Sets the <code>DESTINATION_ID</code> for outgoing transactions to the value <code>0x55</code> or <code>0x5555</code> , depending on the device ID width of the <code>sister_rio</code> . This value matches the base device ID of the <code>sister_rio</code> module. Enables <code>NWRITE_R</code> operations.	<code>32'h00CD_0001</code> or <code>32'hCDCD_0001</code>

With these settings, any write operation presented across the Input/Output Avalon-MM slave module's Avalon-MM write interface is translated to a RapidIO `NWRITE_R` transaction. The Avalon-MM write address must map to the range specified for the I/O Slave window 0.

To initialize testing of the new `NWRITE_R` completion indication feature, the test first checks that the `PENDING_NWRITE_RS` field of the Input/Output Slave Pending `NWRITE_R` Transactions register has value 0, before setting the Input/Output Slave Mapping Window 0 Control register and starting the sequence of `NWRITE_R` transactions.



The testbench generates a predetermined series of burst writes across the Input/Output Avalon-MM slave module's Avalon-MM write interface on the DUT. These write bursts are each converted into `NWRITE_R` request packets sent over the RapidIO Serial interface. The testbench cycles from 16 to 256 in steps of 8 bytes. Two tasks are invoked to carry out the burst writes, `rw_addr_data` and `rw_data`. The `rw_addr_data` task initiates the burst and the `rw_data` task completes the burst.

At the `sister_rio` module, the `NWRITE_R` request packets are received and presented across the I/O master Avalon-MM interface as write transactions. The testbench calls the `sister_iom128_rd_wr_slave_bfm read_write_data` task to capture the written data. The written data is checked against the expected value.

7.2.6. NWRITE Transactions

To perform `NWRITE` operations, one register in the IP core must be reconfigured as shown below:

Table 185. NWRITE_R Transactions

Module	Register Address	Register Name	Description	Value
rio	0x1040C	Input/Output Slave Mapping Window 0 Control	Sets the <code>DESTINATION_ID</code> for outgoing transactions to the value <code>0xCD</code> or <code>0xCDCD</code> , depending on the device ID width of the <code>sister_rio</code> . This value matches the base device ID of the <code>sister_rio</code> . Sets the write request type back to <code>NWRITE</code> .	32'h00CD_0000 or 32'hCDCD_0000

With these settings, any write operation presented across the Input/Output Avalon-MM slave interface is translated into a RapidIO `NWRITE` transaction.

The testbench generates a predetermined series of burst writes across the Input/Output Avalon-MM slave module's Avalon-MM write interface on the DUT. These write bursts are each converted into an `NWRITE` request packet that is sent over the RapidIO serial interface. The testbench cycles from two to 128 in steps of 8 bytes. Two tasks are run to carry out the burst writes, `rw_addr_data` and `rw_data`. The `rw_addr_data` task initiates the burst and the `rw_data` task completes the remainder of the burst. The `ios_128_rd_wr_master_bfm read_write_cmd` task generates the burst writes.

The `sister_rio` module receives the `NWRITE` request packets and presents them across the I/O master Avalon-MM slave interface as write transactions. The testbench calls the `sister_iom128_rd_wr_slave_bfm read_write_data` task to capture the written data. The written data is checked against the expected value.

The testbench also generates `NWRITE` transactions with an invalid destination ID if the DUT has both of these properties:

- Includes an Avalon-ST pass-through interface
- Has **Disable destination ID checking by default** turned off

In this case, the testbench validates that the DUT correctly routes these packets to the Avalon-ST pass-through interface.

7.2.7. Doorbell Transactions

To test DOORBELL messages, the doorbell interrupts must be enabled. To enable interrupts, the testbench sets the lower three bits in the Doorbell Interrupt Enable register located at address 0x0000_0020. The test also programs the DUT to store all of the successful and unsuccessful DOORBELL messages in the Tx Completion FIFO.

Next, the test pushes five DOORBELL messages to the transmit DOORBELL Message FIFO of the DUT. The test increments the message payload for each transaction, which occurs when the `drbl_master_bfm read_write_cmd` task is invoked with a `'WRITE` operation to the `TX doorbell` register at offset 0x0000_000C. This action programs the 16-bit message, an incrementing payload in this example, as well as the `DESTINATION_ID=0xCD` for an 8-bit device ID or `0xCDCD` for a 16-bit device ID—which is used in the DOORBELL transaction packet.

To verify that the DOORBELL request packets have been sent, the test waits for the `drbell_s_irq` signal to be asserted. The test then reads the `Tx Doorbell Completion` register (refer to Table 6–89 on page 6–54). This register provides the DOORBELL messages that have been added to the Tx Completion FIFO. Five successfully completed DOORBELL messages should appear in that FIFO and each one should be accessible by reading the Tx Doorbell Completion register five times in succession. To perform this verification, the test invokes the `read_data` task defined in the instance `drbl_master_bfm`.

The test waits for the DUT to assert the `drbell_s_irq` signal, which indicates that a DOORBELL message has been received. The test then reads the five received DOORBELL messages, by calling the `read_write_cmd` task with a `'READ` operation to the `Rx DOORBELL` register at offset 0x0000_0000. The task is called five times, once for each message, to return the received DOORBELL message.

7.2.8. Port-Write Transactions

To test port-writes, the test performs some basic configuration of the port-write registers in the DUT and the `sister_rio` module. It then programs the DUT to transmit port-write request packets to the `sister_rio` module. The port-writes are received by the `sister_rio` module and retrieved by the test program.

The configuration enables the `RX_PACKET_STORED` interrupt in the `sister_rio` module. If this interrupt is enabled, the `sister_rio` module asserts its `mnt_mnt_s_irq` signal when the `sister_rio` module receives a Port-Write transaction and the payload can be retrieved. To enable the interrupt, the testbench calls the `sister_sys_mnt_master_bfm read_write_cmd` task.

A write operation is performed by the task with the address 0x10084 and data 0x10 passed as parameters. In addition, the `sister_rio` module must be enabled to receive Port-Write transactions from the DUT. The task is called with the address 0x10250 and data 0x1. After the configuration is complete, the test performs the following operations:

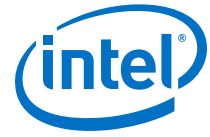


Table 186. Port-Write Test

Operation	Action
Places data into the TX_PORT_WRITE_BUFFER.	Write incrementing payload to registers at addresses 0x10210 to 0x1024C.
Indicates to the DUT that Port-Write data is ready.	Write DESTINATION_ID = 0xCD or 0xCDCD, depending on the device ID width setting, and PACKET_READY = 0x1 to 0x10200.
Waits for the sister_rio module to receive the port-write.	Monitor the sister_rio module mnt_mnt_s_irq signal.
Verifies that the sister_rio module has the interrupt bit PACKET_STORED set.	Read register at address 0x10080.
Retrieves the Port-Write payload from the sister_rio module and checks for data integrity.	Read registers at addresses 0x10260–0x1029C.
Checks the sister_rio module Rx Port Write Status register for correct payload size	Read register at address 0x10254.
Clears the PACKET_STORED interrupt in the sister_rio module	Write 1'b1 to bit 4 of register at address 0x10080.
Waits for the next interrupt at the sister_rio module.	Monitor the sister_rio module mnt_mnt_s_irq signal.

The testbench performs this test five times. All testbench port-write operations have a payload of 32 bytes. Each operation is performed one of the sis_sys_mnt_master_bfm or sys_mnt_master_bfm read_write_cmd or read_data tasks.

7.2.9. Transactions Across the AVST Pass-Through Interface

The demonstration testbench tests the Avalon-ST pass-through interface by generating some transactions with invalid destinationID values. The DUT should route these packets to the Avalon-ST pass-through interface. The testbench generates these transactions only if the DUT has **Disable destination ID checking by default** turned off.

7.3. Testbench Completion

The testbench concludes by checking that all of the packets have been received. If no error is detected and all packets are received, the testbench issues a TESTBENCH PASSED message stating that the simulation was successful.

If an error is detected, a TESTBENCH FAILED message is issued to indicate that the testbench has failed. A TESTBENCH INCOMPLETE message is issued if the expected number of checks is not made. For example, this message is issued if not all packets are received before the testbench is terminated. The variable tb_rio.exp_chk_cnt determines the number of checks done to ensure completeness of the testbench.

To generate a value change dump file called dump.vcd for all viewable signals, uncomment the line // \$dumpvars(0,tb_rio) in the **tb_rio.sv** file.

7.4. Transceiver Level Connections in the Testbench

The testbench for Intel Arria 10, Intel Stratix 10 and Intel Cyclone 10 GX variations demonstrates one method to connect the reset controller, the TX PLL, and the RapidIO II IP core to each other.

Figure 41. RapidIO II IP Core, TX PLL, and Reset Controller Connections in Intel Arria 10 and Intel Cyclone 10 GX Testbench

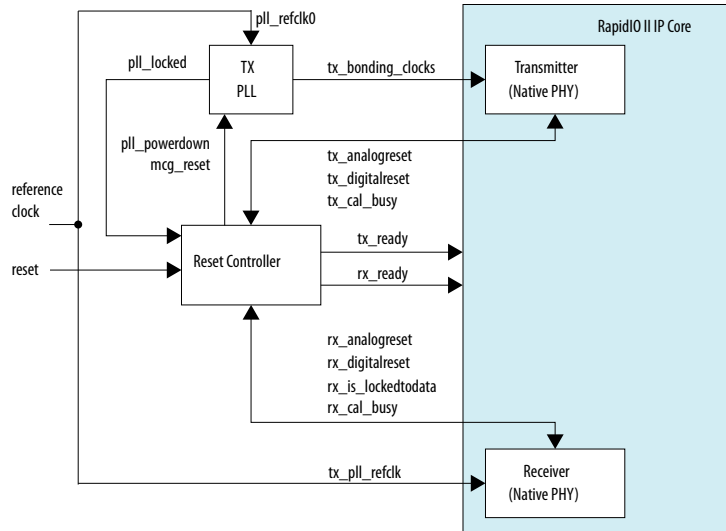


Figure 42. RapidIO II IP Core, TX PLL, and Reset Controller Connections in Intel Stratix 10 Testbench

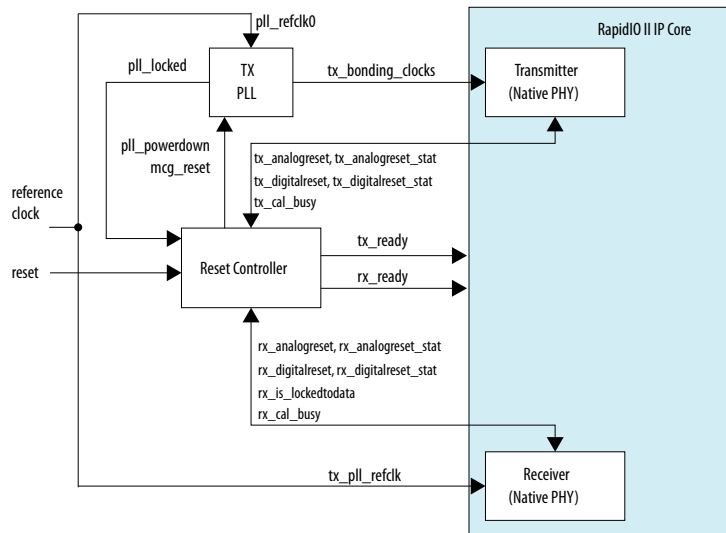


Table 187. External Transceiver TX PLL Connections to RapidIO II IP Core

Signal	Direction	Connection Requirements
pll_powerdown	Input	Connect pll_powerdown to the pll_powerdown[0] output port of the reset controller.

continued...



Signal	Direction	Connection Requirements
		This signal is available in Arria V, Arria V GZ, Cyclone V, and Stratix V variations only.
pll_refclk0	Input	Drive the PLL pll_refclk0 input port and the RapidIO II IP core tx_pll_refclk signal from the same clock source.
pll_locked	Ouput	Connect pll_locked to the pll_locked[n] input signal of the reset controller, for each transceiver channel n that connects to the RapidIO link.
pll_cal_busy	Ouput	Drive the pll_tx_cal_busy input signal of the reset controller.
mcgb_rst ⁽⁴⁷⁾	Input	Drive mcgb_rst from the system reset signal.
tx_bonding_clocks [6N-1:0] where N is the number of lanes in the IP core variation	Ouput	Connect the TX PLL tx_bonding_clocks ouput signal bits [6z+5:6z] to the RapidIO II IP core tx_bonding_clocks_chz input signal to RapidIO lane z.

(47) This signal is unavailable while using Intel Stratix 10 devices.



8. RapidIO II IP Core User Guide Archives

If an IP core version is not listed, the user guide for the previous IP core version applies.

IP Core Version	User Guide
17.1	RapidIO II IP Core User Guide
17.0	RapidIO II IP Core User Guide
16.1	RapidIO II IP Core User Guide 16.1
16.0	RapidIO II IP Core User Guide 16.0
15.0	RapidIO II MegaCore Function User Guide 15.0
14.0	RapidIO II MegaCore Function User Guide 14.0

9. Document Revision History for the RapidIO II Intel FPGA IP User Guide

Document Version	Intel Quartus Prime Version	Changes
2018.09.21	18.0	Clarified that testbench generated from the Generate Testbench System does not have the correct connections and does not exercise the RapidIO II IP core.
2018.05.07	18.0	<ul style="list-style-type: none"> Renamed the document as <i>RapidIO II Intel FPGA IP User Guide</i>. Added support for Intel Cyclone 10 GX devices. Added support for Cadence Xcelium Parallel simulator.

Date	Changes
December 2017	Corrected the bit width of the signal <code>gen_rx_pd_empty</code> to 4-bit in <i>Pass-Through Interface Usage Examples</i> section.
November 2017	<ul style="list-style-type: none"> Intel Stratix 10 devices are now supported in the 17.1 Intel Quartus Prime software. Updated the resource utilization metrics for Intel Stratix 10 (L-Tile/H-Tile) and Intel Arria 10 devices in Table: <i>RapidIO II IP Core FPGA Resource Utilization</i>. Added new parameter Transceiver Tile in Table: <i>Transceiver Settings</i>. Added support for Cadence NCSim simulator. Corrected bit assignment of <code>xamsbs[1:0]</code> field from [17:16] to [33:32] in Table: <i>SWRITE Request Receive Example: RapidIO Header Fields in gen_rx_hd_data Bus</i>.
May 2017	<ul style="list-style-type: none"> Added the device support level for Arria V (ST/SX) variations in Table: <i>Device Family Support</i>. Updated the resource utilization metrics for all devices in Table: <i>RapidIO II IP Core FPGA Resource Utilization</i>. Updated the procedure for <i>Generating IP Cores</i> using the Intel Quartus Prime Pro Edition 17.0 software. Corrected Figure: <i>IP Core Generation Output (Intel Quartus Prime Pro Edition)</i>. Changed the topic title from <i>Specific Instructions for RapidIO II IP Core</i> to <i>RapidIO II IP Core Testbench Files</i>. Corrected the testbench and simulation files location for the IP variations generated using the Platform Designer IP Catalog in <i>RapidIO II IP Core Testbench Files</i>. Added commands to <i>Simulate the Testbench with the ModelSim Simulator</i> for V-series device variations using the Platform Designer IP Catalog. Updated the location of the HDL code for an ATX PLL in <i>External Transceiver PLL</i>. Added the location of the HDL code for a Transceiver PHY Reset Controller in <i>Transceiver PHY Reset Controller</i>. Added device & software support information in Table: <i>Transceiver Settings</i>. Editorial modifications.
December 2016	<ul style="list-style-type: none"> Updated the device support level for Intel Arria 10 device family in Table: <i>Device Family Support</i>. Updated the resource utilization metrics for Intel Stratix 10 devices in Table: <i>RapidIO II IP Core FPGA Resource Utilization</i>. Added commands for Intel Stratix 10 variations to simulate the testbench with ModelSim Simulator.

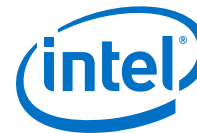
continued...

Intel Corporation. All rights reserved. Intel, the Intel logo, Altera, Arria, Cyclone, Enpirion, MAX, Nios, Quartus and Stratix words and logos are trademarks of Intel Corporation or its subsidiaries in the U.S. and/or other countries. Intel warrants performance of its FPGA and semiconductor products to current specifications in accordance with Intel's standard warranty, but reserves the right to make changes to any products and services at any time without notice. Intel assumes no responsibility or liability arising out of the application or use of any information, product, or service described herein except as expressly agreed to in writing by Intel. Intel customers are advised to obtain the latest version of device specifications before relying on any published information and before placing orders for products or services.

*Other names and brands may be claimed as the property of others.



Date	Changes
	<ul style="list-style-type: none"> Dynamic reconfiguration support is now available for Intel Stratix 10 devices. Added Transceiver Share reconfiguration interface, Enable transceiver Altera Debug Master Endpoint (ADME) and VCCR_GXB and VCCT_GXB supply voltage for the transceivers parameters in <i>Table: Transceiver Settings</i>. Corrected the specific_header Format on gen_tx_data and gen_rx_data Bus for ftype 6.
October 2016	Implemented the Intel rebranding.
August 2016 (Stratix 10 Edition Beta Release)	<ul style="list-style-type: none"> Added the Intel Stratix 10 device support in <i>Table: Device Family Support</i>. Added the Intel Stratix 10 device performance and resource utilization (preliminary) in <i>Table: RapidIO II IP Core FPGA Resource Utilization</i>. Added the Intel Stratix 10 device speed grades and maximum baud rate. Added the Intel Stratix 10 device support in <i>Table: Device Family Support</i>. Added the following reset signals for Intel Stratix 10 devices: <ul style="list-style-type: none"> tx_digitalreset_stat rx_digitalreset_stat tx_analogreset_stat rx_analogreset_stat
May 2016	<ul style="list-style-type: none"> Added a note to the <i>Table: Recommended Device Family and Speed Grades</i> to clarify speed grade support for Arria V devices. Corrected the <i>Payload Size</i> value for all the Maintenance Interface Transactions. Stated appropriate <i>TOP_LEVEL_NAME</i> for both Intel Quartus Prime Pro and Standard edition software. Corrected the timing diagrams for <i>Avalon-ST Pass-Through Interface Usage Examples</i>: <ul style="list-style-type: none"> NWRITE Transmit Example NREAD Request Send and Response Receive Example NREAD Request Receive and Response Send Example SWRITE Transmit Example Editorial modifications.
July 2015	<ul style="list-style-type: none"> Updated the descriptions of the <i><Gbaud>_GB_SUPPORT</i> and <i><Gbaud>_GB_ENABLE</i> fields of the <i>Port 0 Control 2</i> CSR at offset 0x154. Added new <i>io_error_response_set</i> error management extensions input signal. Updated description of fields in <i>Port 0 Control</i> CSR at offset 0x15C. <ul style="list-style-type: none"> Added new field <i>PORT_ERR_IRQ_EN</i> at bit [6]. Moved <i>DIS_DEST_ID_CHK</i> field from bit [7] to bit [8]. Moved <i>LOG_TRANS_ERR_IRQ_EN</i> field from bit [6] to bit [7]. Corrected description of <i>ERR_RATE_COUNTER</i> field of <i>Port 0 Error Rate</i> CSR at offset 0x368 to indicate that if the IP core detects an error in a control symbol, the counter might increment twice. Clarified that the generic instructions to generate the testbench by clicking Generate > Generate Testbench in the RapidIO II parameter editor do not apply to this IP core. Added information about required parameter value change for <i>Transceiver PHY Reset Controller</i> that connects to the RapidIO II IP core. Added note in <i>Clocking and Reset Structure</i> to confirm the RapidIO II IP core can handle a difference of ± 200PPM in the transmit clock (<i>tx_clkout</i>) and the recovered data clock (<i>rx_clkout</i>), as required by the RapidIO Interconnect Specification v2.2. Added note in <i>Reference Clock</i> to clarify the design requirement sufficient to ensure the ± 200PPM difference limit. Corrected <i>Doorbell Message Registers</i> offsets . Corrected <i>Error Management Registers</i> offsets
<i>continued...</i>	

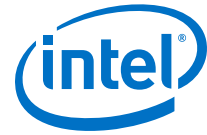


Date	Changes
August 2014	<ul style="list-style-type: none"> Added support for Intel Arria 10 devices: <ul style="list-style-type: none"> New parameter Enable transceiver dynamic reconfiguration allows you to hide or make visible the Intel Arria 10 Native PHY IP core dynamic reconfiguration interface, an Avalon-MM interface for programming the hard registers in the Intel Arria 10 transceiver. New requirement to include TX PLL IP core in the design. New individual transceiver channel clock signals added to RapidIO II IP core to connect to an ATX PLL to support PLL sharing across the transceiver block. Removed <code>pll_locked</code> and <code>pll_powerdown</code> signals from RapidIO II IP core that targets an Intel Arria 10 device. Updated Appendix <i>Initialization Sequence</i> to clarify that it addresses initialization of RapidIO II IP cores rather than RapidIO IP cores. The initialization sequence is identical for the two IP cores.
June 2014	<ul style="list-style-type: none"> Modified Chapter <i>Getting Started</i> to describe the Intel Quartus Prime software v14.0 IP Catalog. Modified Chapter <i>Parameter Settings</i> to document the new location of the Extended features pointer parameter in the RapidIO II parameter editor. The Extended features pointer parameter is now on the Command and Status Registers tab instead of the Capability Registers tab. This change dates from the Intel Quartus Prime software v13.1. Changed bit range of <code>ext_mnt_address</code> from [23:2] to [21:0] and explained the address is a word address. Explained that <code>drbell_s_address</code> is a word address and <code>ios_rd_wr_address</code> is a quad-word address respectively. Changed bit range of <code>mnt_s_address</code> from [25:2] to [23:0]. Clarified that generating this IP core does not generate an Intel-provided VHDL testbench, only a Verilog HDL testbench. Clarified in description of <code>ERR_RATE_COUNTER</code> field of the Port 0 Error Rate CSR (offset 0x386). Clarified that Avalon-ST pass-through interface <code>gen_tx_valid</code> signal must be continuously asserted from the assertion of <code>gen_tx_startofpacket</code> until the deassertion of <code>gen_tx_endofpacket</code>. Added Table <i>specific_header Format on gen_tx_data Bus</i>, which list header information format in <code>gen_tx_data</code> for all supported transaction types and both device ID widths. Added four new Avalon-ST pass-through interface usage examples, including examples with device ID width 8. Corrected descriptions of <code>IN_ERR_STOP</code> and <code>OUT_ERR_STOP</code> fields of the Port 0 Error and Status CSR (offset 0x158). Replaced "Serial RapidIO" with "RapidIO". The RapidIO II IP core supports only the Serial RapidIO specification. Clarified description in Table <i>Link-Request Reset-Device Signals</i>. Corrected descriptions of <code>OUTBOUND_ACKID</code> and <code>OUTSTANDING_ACKID</code> fields of the Port 0 Local AckID CSR (0x148).
February 2013	<ul style="list-style-type: none"> Added device programming (Programming Object File (.pof) support) for Arria V devices. Added support for Arria V GZ devices. Added support for Cyclone V devices. Cyclone V GT devices support rates up to 5.0 Gbaud, and other Cyclone V devices support rates up to 3.125 Gbaud. Clarified in <i>Adding Transceiver Analog Settings</i> that this procedure is required only for Arria V GZ and Stratix V devices. Corrected erroneous statement that software can reset the <code>REMOTE_TX_EMPH_ENABLE</code> bit in the Port 0 Control 2 CSR (offset 0x154). Corrected the description of <code>PORT_ERR</code> field of Port 0 Error and Status CSR (offset 0x158). Added information to the description of the Logical/Transport Layer Address Capture CSR (offset 0x314). Clarified in topic <i>Clocking and Reset Structure</i> that the transceiver reference clock (<code>tx_pll_refclk</code>) and the system clock (<code>sys_clk</code>) inputs must be generated from the same clock source. Corrected the descriptions of Port 0 Packet Capture 1-3 CSRs.

continued...



Date	Changes
	<ul style="list-style-type: none"> • Clarified in Appendix <i>Differences Between RapidIO II MegaCore Function v12.1 and RapidIO MegaCore Function v12.1</i>: <ul style="list-style-type: none"> – In the RapidIO II IP core, you cannot independently select whether or not to support <code>port-write</code> transactions. If you include a Maintenance module in your design, your IP core supports <code>port-write</code> transactions. – In the RapidIO II IP core (in contrast to the RapidIO IP core) on the Avalon-ST passthrough interface in the RX direction only, the <code>sourceID</code> and <code>destinationID</code> fields in <code>gen_rx_hd_data</code> are 16 bits wide even if the device ID width for the IP core variation is 8 bits. However, in the TX direction, as in the RapidIO IP core, the <code>sourceID</code> and <code>destinationID</code> field width depends on the device ID width. – Since v13.0, RapidIO IP core has 2x variations, which has same Avalon-MM I/O Logical layer data bus width as the 4x variations. – In Sending Link-Request Reset-Device on Fatal Errors parameter entry, added information for full comparison. • Modified the description of <code>Port 0 Attributes Capture CSR (offset 0x348)</code>. • Corrected Chapter <i>Testbench</i> to state that the Intel-provided testbench does not generate packets with <code>fctype 9</code>. • Corrected number of TX Maintenance windows indicated in Chapter <i>Software Interface</i>. • Corrected descriptions of <code>IDLE2 Received bit in LP-Serial Lane n Status 1 CSR</code> and <code>CMD changed bit in LP-Serial Lane n Status 3 CSR</code>. • Corrected the width of the values of the <code>destinationID</code> and <code>sourceID</code> fields of the <code>gen_tx_data</code> bus in the Avalon-ST pass-through interface usage example <i>User Sending Read Request and Receiving Read Response</i> to match field width. • Corrected the default value for <code>ExtendedFeaturesPtr</code> field in <code>Assembly Information CAR (offset 0x0C)</code>. • Corrected the default value for <code>LP-Serial Lane n Status 4 register bit [28] (Scrambling/Descrambling enabled)</code>. • Corrected access mode for <code>LP-Serial Lane n Status 4 register bit [30] (Impl defined)</code>. • Corrected bit range for <code>Connected port transmit emphasis Tap (-1) status field in LP-Serial Lane n Status 1 register</code>. • Corrected offset for <code>Port 0 Link Maintenance Response register in the Extended Features and Implementation-Defined Registers Memory Map</code>. • Corrected description of <code>RESPONSE_VALID bit of Port 0 Link Maintenance Response CSR (offset 0x140)</code>. • Corrected Maintenance Avalon-MM master signal names. • Changed erroneous mention of <code>link-request reset-device</code> control symbol to <code>link-request input-status</code> control symbol.
November 2012	Initial release.



A. Initialization Sequence

This appendix describes the most basic initialization sequence for a RapidIO II system that contains two RapidIO II IP cores connected through their RapidIO interfaces.

To initialize the system, perform these steps:

1. Read the `Port 0 Error and Status Command and Status` register (CSR) (0x00158) of the first RapidIO II IP core to confirm port initialization.
2. Set the following registers in the first RapidIO II IP core:
 - a. To set the base ID of the device to 0x01, set the `Base_deviceID` field (bits 23:16) or the `Large_base_deviceID` field (bits 15:0) of the `Base Device ID` register (0x00060) to 0x1.
 - b. To allow request packets to be issued, write 1 to the `ENA` field (bit 30) of the `Port General Control CSR` (0x13C).
 - c. To set the destination ID of outgoing maintenance request packets to 0x02, set the `DESTINATION_ID` field (bits 23:16) or the combined (`LARGE_DESTINATION_ID MSB, DESTINATION_ID`) fields (bits 31:16) of the `Tx Maintenance Window 0 Control` register (0x1010C) to 0x02.
 - d. To enable an all-encompassing address mapping window for the maintenance module, write 1'b1 to the `WEN` field (bit 2) of the `Tx Maintenance Window 0 Mask` register (0x10104).
3. Set the following registers in the second RapidIO II IP core:
 - a. To set the base ID of the device to 0x02, set the `Base_deviceID` field (bits 23:16) or the `Large_base_deviceID` field (bits 15:0) of the `Base Device ID` register (0x00060) to 0x02.
 - b. To allow request packets to be issued, write 1'b1 to the `ENA` field (bit 30) of the `Port General Control CSR` (0x13C).
 - c. To set the destination ID of outgoing maintenance packets to 0x0, set the `DESTINATION_ID` field (bits 23:16) or the combined (`LARGE_DESTINATION_ID MSB, DESTINATION_ID`) fields (bits 31:16) of the `Tx Maintenance Window 0 Control` register (0x1010C) to 0x0.
 - d. To enable an all-encompassing address mapping window for the maintenance module, write 1'b1 to the `WEN` field (bit 2) of the `Tx Maintenance Window 0 Mask` register (0x10104).

These register settings allow one RapidIO II IP core to remotely access the other RapidIO II IP core.

To access the registers, the system requires an Avalon-MM master, for example a Nios II processor. The Avalon-MM master can program these registers. You can use the Platform Designer system integration tool, available with the Intel Quartus Prime software, to rapidly and easily build and evaluate your RapidIO system.



Related Information
RapidIO Specifications

B. Differences Between RapidIO II IP Core and RapidIO IP Core

This appendix lists the basic differences between the RapidIO and RapidIO II IP cores.

Table 188. Major differences between the RapidIO II IP Core and the RapidIO IP Core

Property	RapidIO II IP Core	RapidIO IP Core
Protocol	Complies with RapidIO specification v2.2.	Complies with RapidIO specifications v1.3 and v2.1.
Device Support	Supports Arria V, Cyclone V, Stratix V, Intel Arria 10, Intel Stratix 10 and Intel Cyclone 10 GX device families.	Supports multiple legacy device families, in addition to Arria V, Cyclone V, Stratix V, Intel Arria 10 and Intel Cyclone 10 GX device families.
Avalon-ST interface width	Avalon-ST pass-through Tx interface has a 128-bit wide interface for data; Avalon-ST pass-through Rx interface presents data on a 128-bit wide interface and presents packet header information on a 115-bit wide interface. In the Rx packet header bus, the destinationID field and the sourceID field each have 16 bits. In case of an 8-bit device ID width, the upper 8 bits of each field are set to all zeroes. However, in the TX direction the destinationID and sourceID fields fit the device ID width.	Avalon-ST pass-through Rx and Tx interfaces each have a 32-bit wide interface in a 1x variation and a 64-bit wide interface in a 4x variation. Header and data are transmitted or received on the same bus. In both directions, the destinationID and sourceID fields fit the device ID width.
Avalon-MM interface width	I/O Logical layer Master and Slave modules each have a 128-bit wide Rx interface and a 128-bit wide Tx interface. Doorbell and Maintenance modules each have one 32-bit wide Avalon-MM interface in each direction.	I/O Logical layer Master and Slave modules in a 1x variation each have a 32-bit wide Rx interface and a 32-bit Tx interface, in a 2x variation each have a 64-bit wide Rx interface and a 64-bit Tx interface, and in a 4x variation each have a 64-bit wide Rx interface and a 64-bit Tx interface. Doorbell and Maintenance modules each have one 32-bit wide Avalon-MM interface in each direction, in 1x and 4x variations.
I/O Logical layer Master Avalon-MM read and write ports	I/O Logical layer Master module has a single Avalon-MM interface for read and write transactions.	I/O Logical layer Master module has one Avalon-MM interface for read transactions and a separate Avalon-MM interface for write transactions.
I/O Logical layer Slave Avalon-MM read and write ports	I/O Logical layer Slave module has a single Avalon-MM interface for read and write transactions.	I/O Logical layer Slave module has one Avalon-MM interface for read transactions and a separate Avalon-MM interface for write transactions.
CRC	Physical layer removes all CRC bits and padding bytes from packets received from the RapidIO link.	Physical layer removes the 16-bit CRC that follows the 80th received byte of a RapidIO packet, but not the final CRC nor the padding bytes.
Behavior in <i>SILENT</i> state	Transmitter is turned off while the initialization state machine is in the <i>SILENT</i> state.	In 5.0 Gbaud variations, the transmitter is turned off while the initialization state machine is in the <i>SILENT</i> state. However, in 1.25, 2.5,

continued...

Intel Corporation. All rights reserved. Intel, the Intel logo, Altera, Arria, Cyclone, Enpirion, MAX, Nios, Quartus and Stratix words and logos are trademarks of Intel Corporation or its subsidiaries in the U.S. and/or other countries. Intel warrants performance of its FPGA and semiconductor products to current specifications in accordance with Intel's standard warranty, but reserves the right to make changes to any products and services at any time without notice. Intel assumes no responsibility or liability arising out of the application or use of any information, product, or service described herein except as expressly agreed to in writing by Intel. Intel customers are advised to obtain the latest version of device specifications before relying on any published information and before placing orders for products or services.

*Other names and brands may be claimed as the property of others.

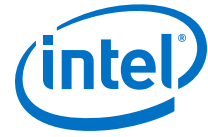


Property	RapidIO II IP Core	RapidIO IP Core
		and 3.125 Gbaud variations, the transmitters send a continuous stream of K28.5 characters, all of the same disparity, in the <i>SILENT</i> state.
Remote host access to IP core registers	Handles incoming read and write MAINTENANCE requests with address in the appropriate range to the local register set, internally.	Requires that your system connect the Maintenance master interface to the Register Access slave interface. The RapidIO IP core does not implement this routing internally.
Maintenance module supported operations	If you include a Maintenance module in your RapidIO II IP core, it has both master and slave ports, and supports MAINTENANCE read and write operations and MAINTENANCE port-write operations.	<ul style="list-style-type: none"> For Intel Arria 10 and Intel Cyclone 10 GX devices: If you include a Maintenance module in your RapidIO IP core, it has both master and slave ports, and supports MAINTENANCE read and write operations and MAINTENANCE port-write operations. For other device families: If you include a Maintenance module in your RapidIO IP core, you can choose whether to support an Avalon-MM master port or an Avalon-MM slave port, or both. If your Maintenance module supports the Avalon-MM slave port, you can independently select whether to support MAINTENANCE TX port-write operations or MAINTENANCE RX port-write operations, or both.
Registers	<ul style="list-style-type: none"> Fully complies with <i>Part 8: Error Management Extensions Specification of the RapidIO Interconnect Specification, Revision 2.2</i>. Supports the LP-Serial Lane Extended Features registers described in <i>RapidIO Interconnect Specification v2.2 Part 6: LP-Serial Physical Layer Specification</i> for up to four lanes, with two implementation-specific registers per lane. Various register field differences with RapidIO IP core: <ul style="list-style-type: none"> For example, the <code>NWRITE_RS_COMPLETED</code> field in the I/O Slave Interrupt and I/O Slave Interrupt Enable registers is not available in the RapidIO II IP core. However, these two registers support <code>INVALID_READ_BYTEENABLE</code> and <code>INVALID_READ_BURSTCOUNT</code> interrupts. For example, the information found in the <code>PROMISCUOUS_MODE</code> field of the Rx Transport Control register in the RapidIO IP core is found in the <code>DIS_DEST_ID_CHK</code> field of the Port 0 Control CSR in the RapidIO II IP core, which has no Rx Transport Control register. 	The RapidIO IP core implements a subset of the optional Error Management Extensions as defined in <i>Part 8 of the RapidIO Interconnect Specification Revision 2.1</i> . However, because the registers defined in the Error Management Extension specification are not all implemented in the RapidIO IP core, the error management registers are mapped in the Implementation Defined Space instead of being mapped in the Extended Features Space. The RapidIO IP core does not implement the LP-Serial Lane Extended Features registers.
Interrupt signals	The RapidIO II IP core generates interrupts on multiple module- and block-specific output signals. The specific triggering conditions are noted in registers, as in the RapidIO IP core. The RapidIO II IP core generates all Doorbell module specific interrupt conditions with the <code>drbell_s_irq</code> signal.	The RapidIO IP core generates interrupts on two output signals, the <code>sys_mnt_s_irq</code> signal and the <code>drbell_s_irq</code> signal. The <code>sys_mnt_s_irq</code> signal indicates all interrupt conditions that the RapidIO IP core indicates in registers, except the Doorbell module specific

continued...

B. Differences Between RapidIO II IP Core and RapidIO IP Core

UG-01116 | 2018.09.25



Property	RapidIO II IP Core	RapidIO IP Core
		interrupt conditions. The RapidIO IP core generates all Doorbell module specific interrupt conditions with the <code>drbell_s_irq</code> signal.
Byteenable value for read requests on the I/O Logical layer Master and Slave interfaces	Read transactions on the I/O Logical layer Master and Slave interfaces have associated byteenable values.	Read transactions on the I/O Logical layer Master and Slave interfaces have no associated byteenable value. The byteenable value is assumed to be all ones. User logic is responsible for enforcing any required byte masking in the read data it receives, and is required to return full 32- or 64-bit words of read data.
Transport layer Tx scheduling	The Transport layer implements a modified round-robin scheduling algorithm to determine the next packet to accept among those available from the Avalon-ST pass-through interface and the Logical layer module. Status information from the Physical layer determines whether the round-robin algorithm considers all available packets, or considers only available packets with a priority field value above a specified threshold. This threshold can also be set to allow no packets through, providing a temporary backpressure mechanism for the Physical layer to control input from the Transport layer.	The Transport layer implements a round-robin scheduling algorithm to determine the next packet to accept among those available from the Avalon-ST pass-through interface and the Logical layer modules. This algorithm does not consider the priority field values of the packets.
Number of Link-Request Attempts Before Declaring Fatal Error parameter	The number of times that a RapidIO II IP core sends a <code>link-request input-status control</code> symbol following a <code>link-request time-out</code> , before declaring a fatal error, is seven. This value cannot be modified in the parameter editor.	The <code>link-request attempts</code> parameter allows you to specify the number of times the RapidIO IP core sends a <code>link-request input-status control</code> symbol following a <code>link-request time-out</code> , before declaring a fatal error. This parameter can have values 1 through 7. The default value in a new variation is 7. <i>Note:</i> For Intel Arria 10 and Intel Cyclone 10 GX devices, this parameter is disabled, and defaulted to value 7.
Sending Link-Request Reset-Device on Fatal Errors parameter	In the RapidIO II IP core, this parameter is not available. If the RapidIO II IP core identifies a fatal error, it notifies software by setting the <code>PORT_ERR</code> bit in the <code>Port 0 Error and Status CSR</code> and asserting the <code>port_error</code> output signal, which may be used as an interrupt output signal. However, it does not transmit <code>link-request reset-device control</code> symbols.	The Send link-request reset-device on fatal errors option specifies that if the RapidIO IP core identifies a fatal error, it transmits four <code>link-request control</code> symbols with <code>cmd</code> set to <code>reset-device</code> on the RapidIO link. By default, this option is turned off. The option is available for backward compatibility, because previous releases of the RapidIO IP core implement this behavior. In any case the RapidIO IP core notifies software by setting the <code>PORT_ERR</code> bit in the <code>Port 0 Error and Status CSR</code> and asserting the <code>port_error</code> output signal.



Компания «ЭлектроПласт» предлагает заключение долгосрочных отношений при поставках импортных электронных компонентов на взаимовыгодных условиях!

Наши преимущества:

- Оперативные поставки широкого спектра электронных компонентов отечественного и импортного производства напрямую от производителей и с крупнейших мировых складов;
- Поставка более 17-ти миллионов наименований электронных компонентов;
- Поставка сложных, дефицитных, либо снятых с производства позиций;
- Оперативные сроки поставки под заказ (от 5 рабочих дней);
- Экспресс доставка в любую точку России;
- Техническая поддержка проекта, помощь в подборе аналогов, поставка прототипов;
- Система менеджмента качества сертифицирована по Международному стандарту ISO 9001;
- Лицензия ФСБ на осуществление работ с использованием сведений, составляющих государственную тайну;
- Поставка специализированных компонентов (Xilinx, Altera, Analog Devices, Intersil, Interpoint, Microsemi, Aeroflex, Peregrine, Syfer, Eurofarad, Texas Instrument, Miteq, Cobham, E2V, MA-COM, Hittite, Mini-Circuits, General Dynamics и др.);

Помимо этого, одним из направлений компании «ЭлектроПласт» является направление «Источники питания». Мы предлагаем Вам помощь Конструкторского отдела:

- Подбор оптимального решения, техническое обоснование при выборе компонента;
- Подбор аналогов;
- Консультации по применению компонента;
- Поставка образцов и прототипов;
- Техническая поддержка проекта;
- Защита от снятия компонента с производства.



Как с нами связаться

Телефон: 8 (812) 309 58 32 (многоканальный)

Факс: 8 (812) 320-02-42

Электронная почта: org@eplast1.ru

Адрес: 198099, г. Санкт-Петербург, ул. Калинина, дом 2, корпус 4, литера А.