



TAOGLAS®



Datasheet

Meteor

Part No:
FW.24.SMA.M

Description:

Meteor 2.4GHz Flexible Whip Monopole Antenna

Features:

- External 2.4GHz Monopole Antenna
- Rugged Design for Outdoor Use
- Over 70% Efficiency*
- Over 4dBi Peak Gain*
- Robust Inner Steel Core
- Antenna height 316mm
- SMA(M) Straight Connector
- IP65 dust and water-resistant
- *Tested on 30*30cm Ground Plane
- RoHS Compliant

1. Introduction	3
2. Specifications	4
3. Antenna Characteristics	5
4. Radiation Patterns	8
5. Mechanical Drawing	11
6. Packaging	12
<hr/>	
Changelog	13

Taoglas makes no warranties based on the accuracy or completeness of the contents of this document and reserves the right to make changes to specifications and product descriptions at any time without notice. Taoglas reserves all rights to this document and the information contained herein. Reproduction, use or disclosure to third parties without express permission is strictly prohibited.



1. Introduction



The FW.24 is a flexible 2.4GHz whip antenna with a SMA(M) connector for outdoor use. It features excellent efficiency (>75%) and high peak gain (>4 dBi) between 2400-2500MHz on a 30*30cm ground plane.

The antenna was specifically developed for applications such as weather monitoring systems, motion/vibration sensors, pollution monitoring, and border guard monitoring systems.

The FW.24 works in the 2.4 GHz Wi-Fi/Bluetooth/ISM band with high efficiency, meaning that it allows your radio to consume less power than with a lower efficiency antenna when transferring data. The antenna performs at its best while attached to a ground plane with dimensions of at least 30*30cm.

The whip is made of a flexible inner steel core covered by PE so it is extremely resistant to abrasion and maintains its original shape and RF performance. This rugged design and IP65 rating has been tested by customers to withstand environmental stress and moderate physical shock in the field.

The FW.24.SMA.M 2.4GHz antenna provides a simple solution to any outdoor devices where the FW.24 antenna's rugged design and high efficiency can provide the best value to the application. For example, a module manufacturer may state that the antenna must have less than 2dBi peak gain, but you don't need to select an embedded antenna that has a peak gain of less than 2dBi in free-space. This will give you a less optimized solution. It is better to go for a slightly higher free-space peak gain of 3dBi or more if available. Once that antenna gets integrated into your device, performance will degrade below this 2dBi peak gain due to the effects of GND plane, surrounding components, and device housing. If you want to be absolutely sure, contact Taoglas and we will test. Choosing a Taoglas antenna with a higher peak gain than what is specified by the module manufacturer and enlisting our help will ensure you are getting the best performance possible without exceeding the peak gain limits.

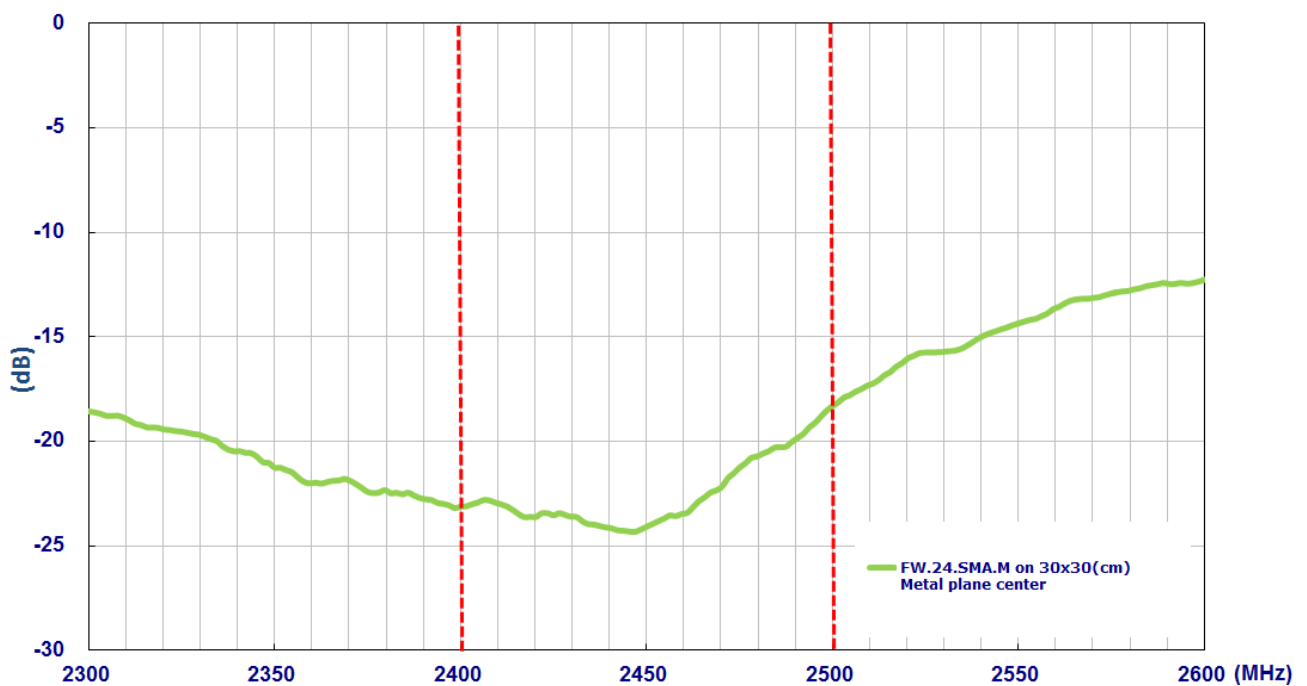
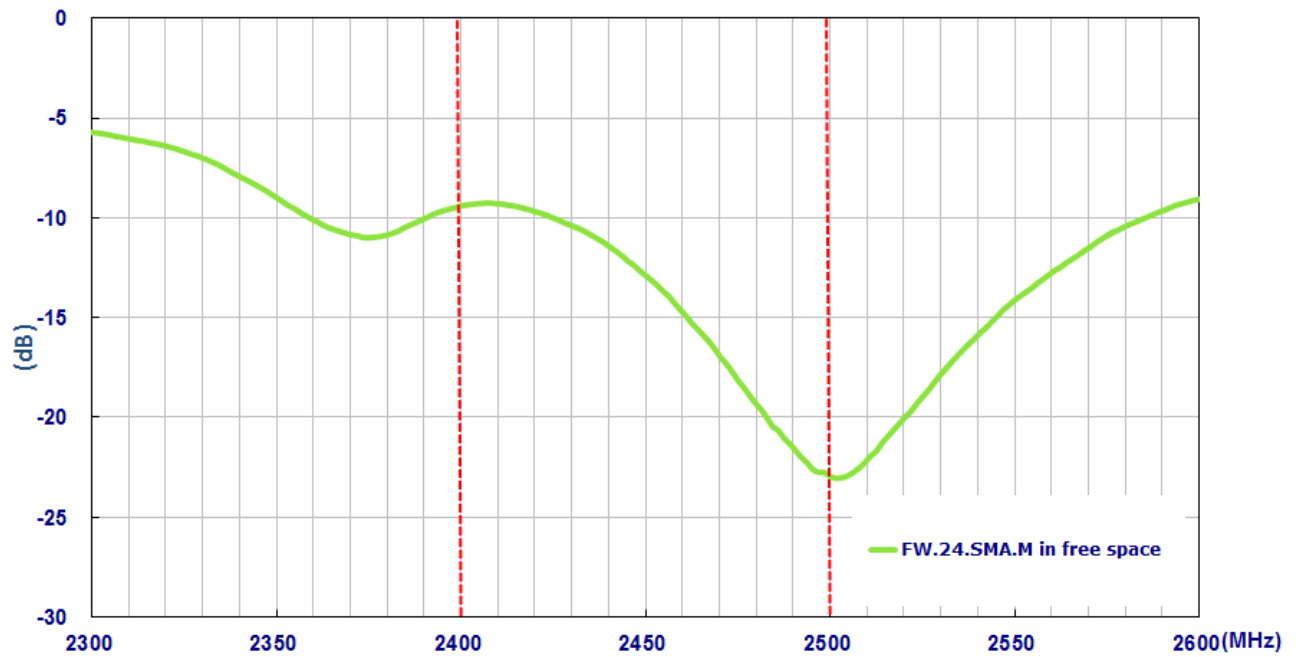
Other connector options are available or custom versions can be made subject to NRE and MOQ. Contact your regional Taoglas office for details.

2. Specifications

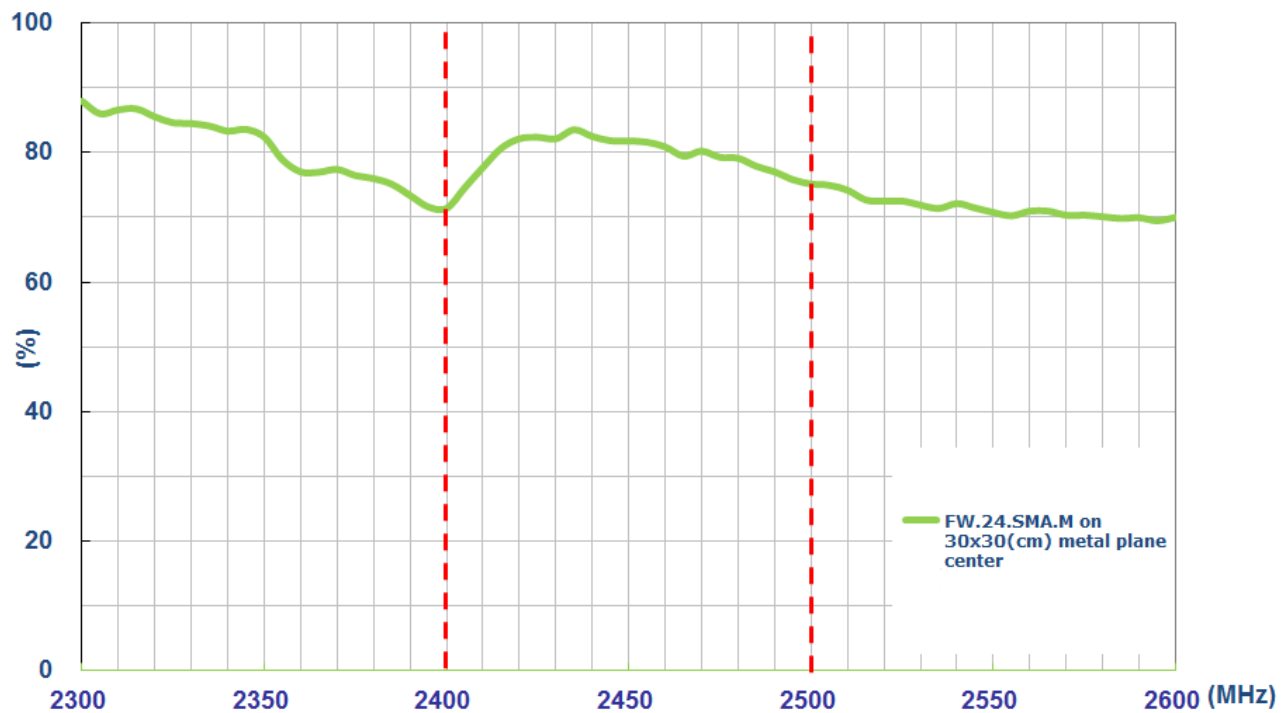
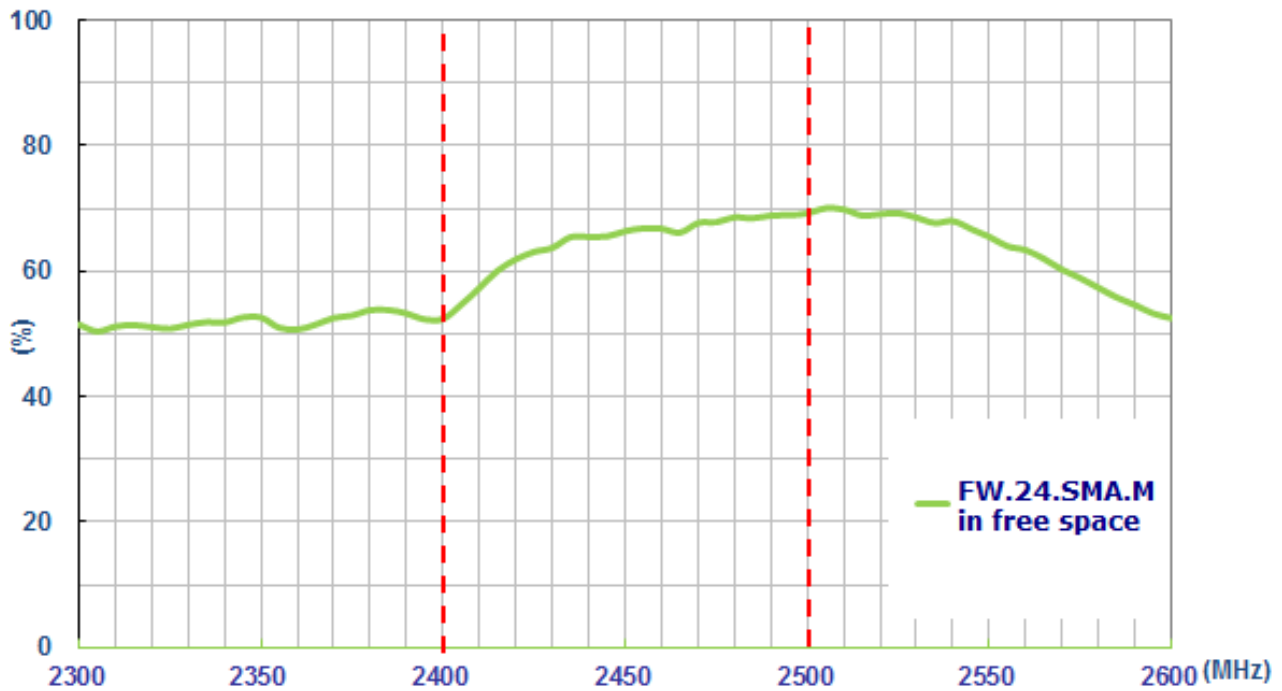
2.4GHz Wi-Fi		
Frequency	2400~2500MHz	
	In free space	On 30x30cm ground
Efficiency	64.5%	79.3%
Peak Gain	4.26dBi	4.48dBi
Return loss	< -6dB	< -10dB
VSWR	≤ 3:1	≤ 2:1
Impedance	50Ω	
Polarization	Linear	
Radiation Pattern	Omni-Directional	
Input Power	2 W	
Total Power	10 W	
Mechanical		
Dimensions	Height 307 ± 6 mm	
Base Diameter	16 ± 0.8 mm	
Whip Diameter	6.2 ± 0.6 mm	
Casing	ABS	
Connector	SMA Male Straight	
Weight	46.6 g	
Dust and Water Resistance	IP65	
Environmental		
Temperature Range	-40°C to 85°C	
Humidity	Non-condensing 65°C 95% RH	

3. Antenna Characteristics

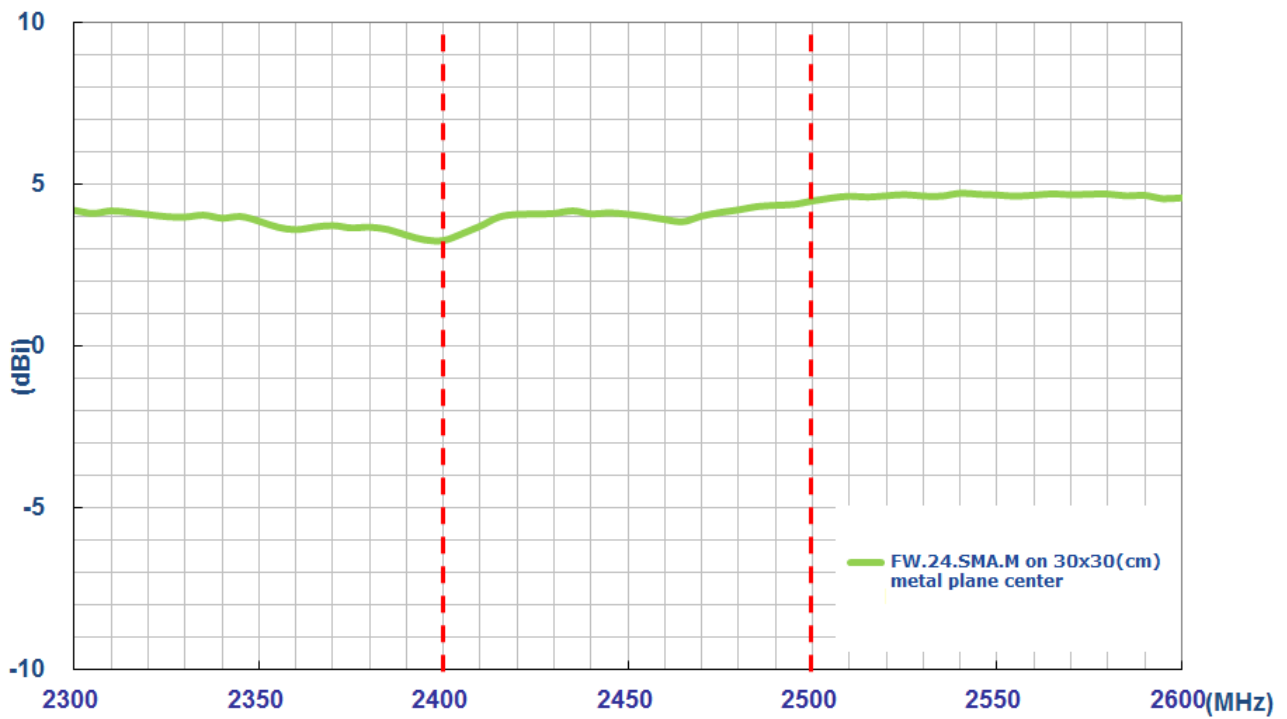
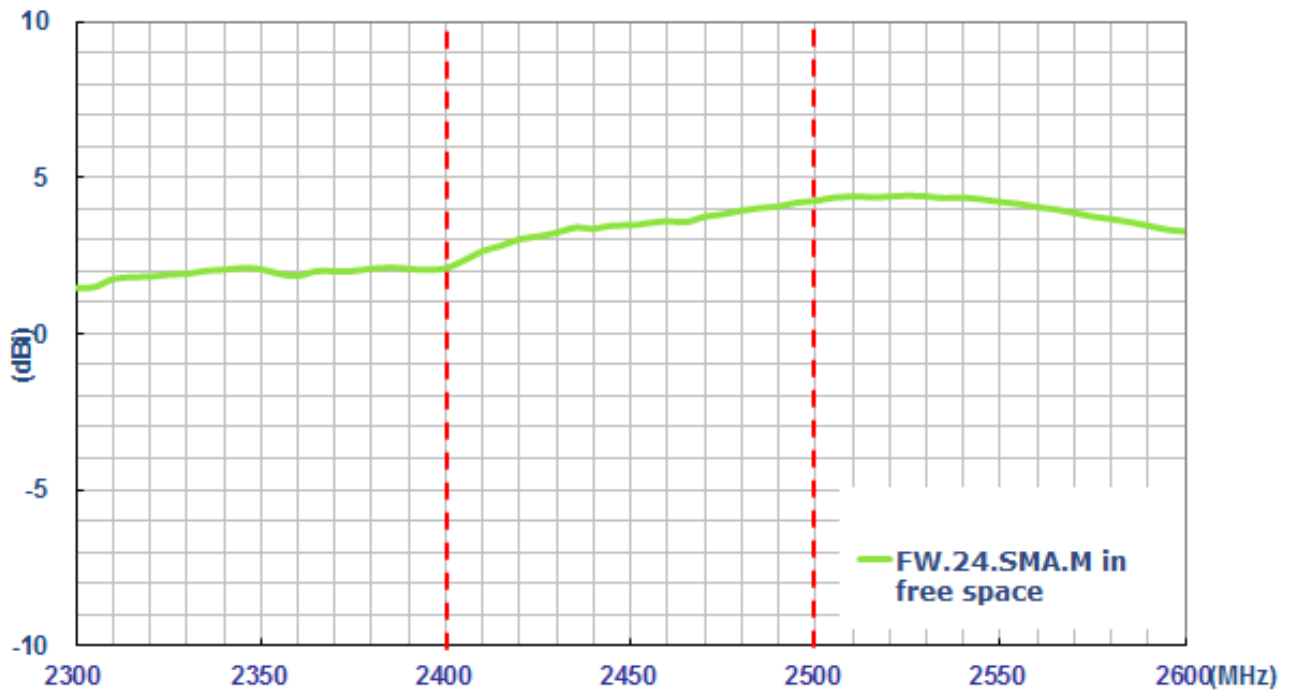
3.1 Return Loss



3.2 Efficiency

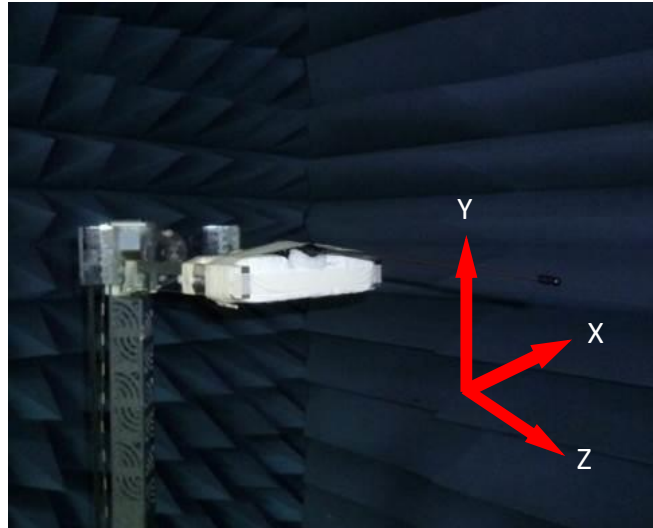


3.3 Peak Gain

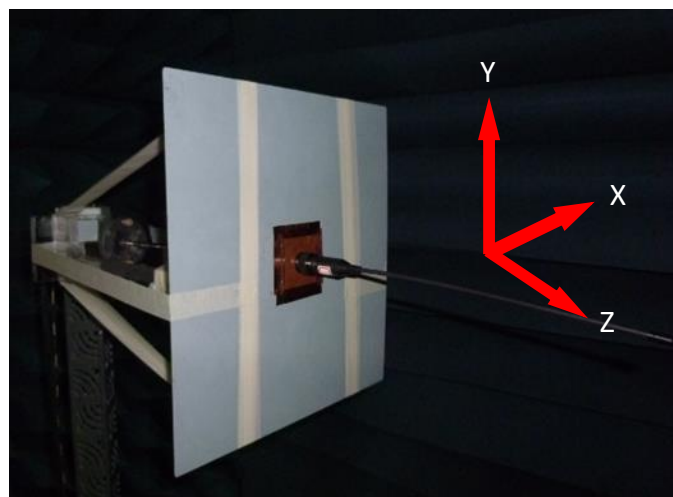


4. Radiation Patterns

4.1 Test Setup



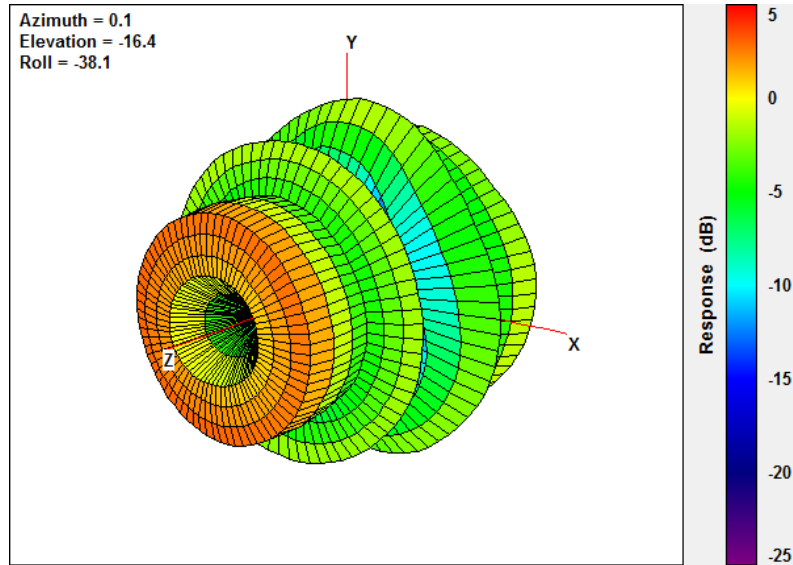
Free space



On 30x30 cm ground plane

4.2 3D and 2D Radiation Patterns

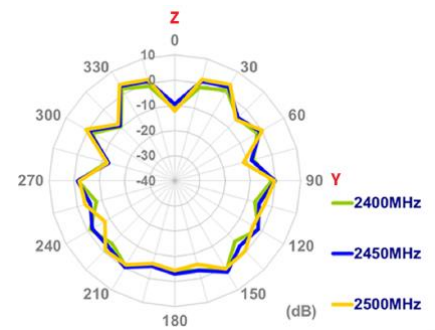
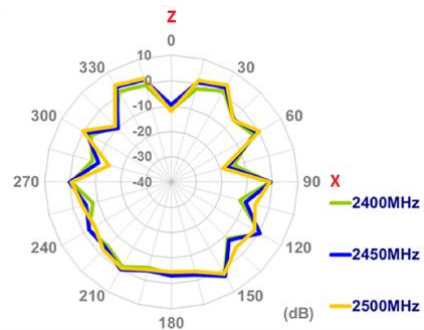
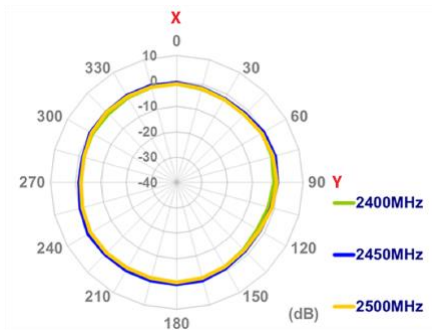
3-D Radiation Pattern in free space @2450MHz



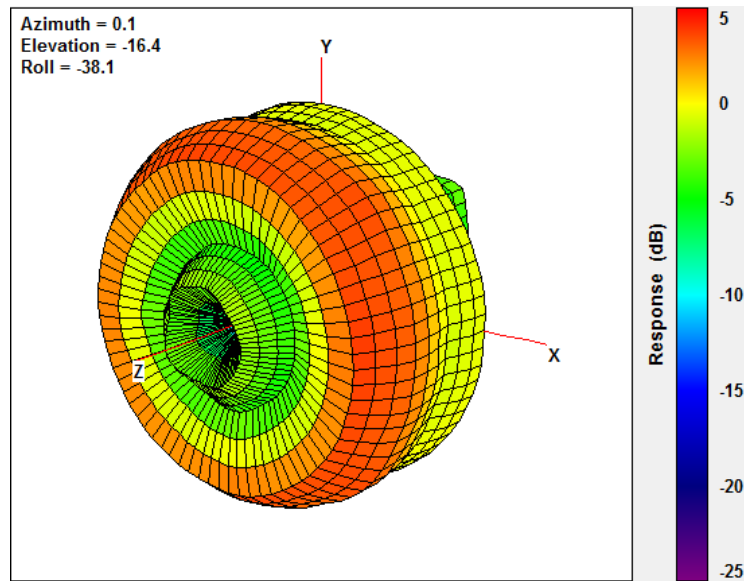
XY Plane

XZ Plane

YZ Plane



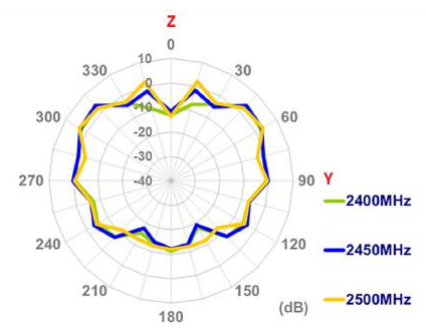
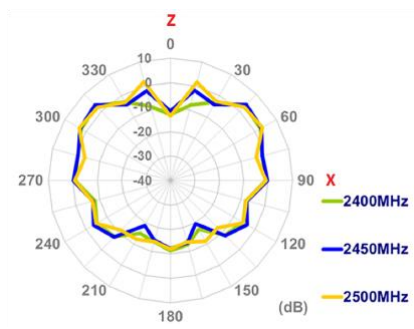
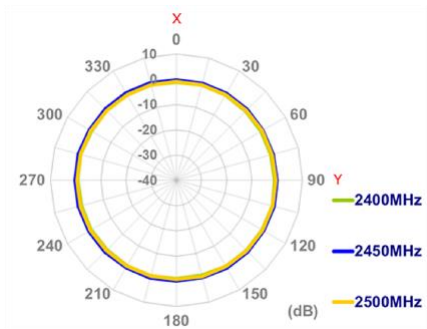
3-D Radiation Pattern on 30cm*30cm Ground Plane @2450MHz



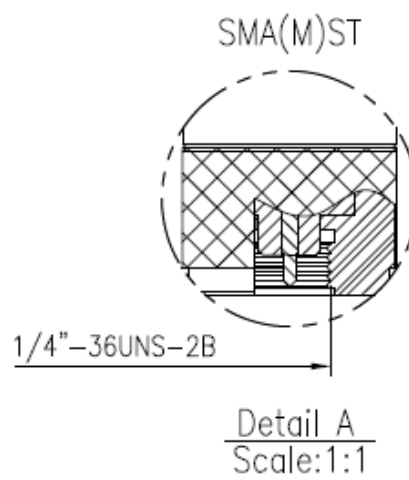
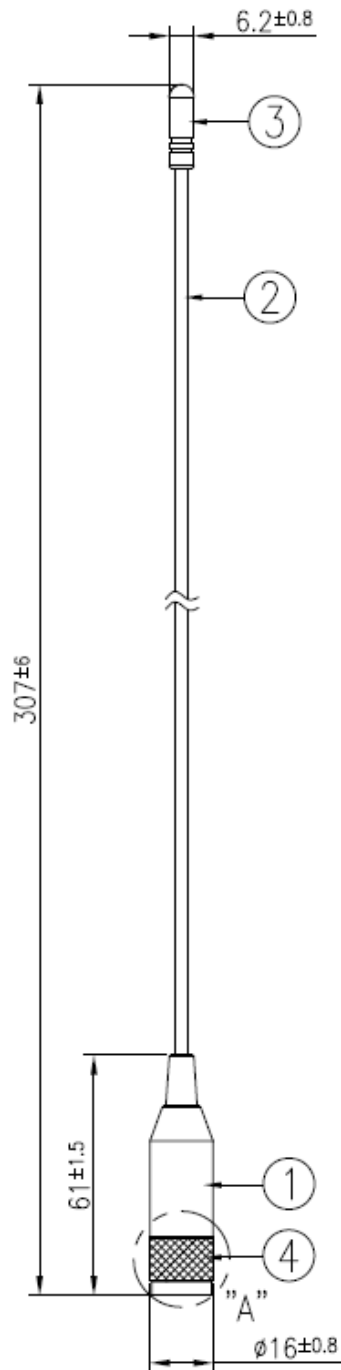
XY Plane

XZ Plane

YZ Plane



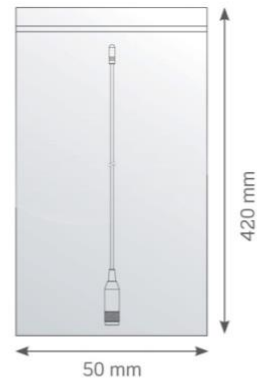
5. Mechanical Drawing (Units: mm)



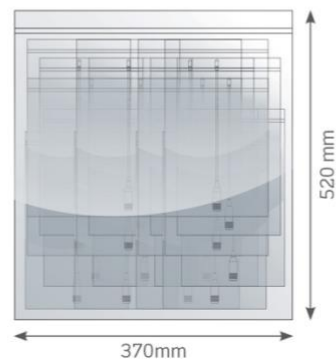
	Name	P/N	Material	Finish	QTY
1	Housing	000116J060000A	ABS	Black	1
2	Flexible Whip	001116J000000A	Steel+PE Jacket	Black	1
3	Cap	000716J000000A	POM	Black	1
4	SMA(M)ST	210216J000002A	Brass	Black	1

6. Packaging

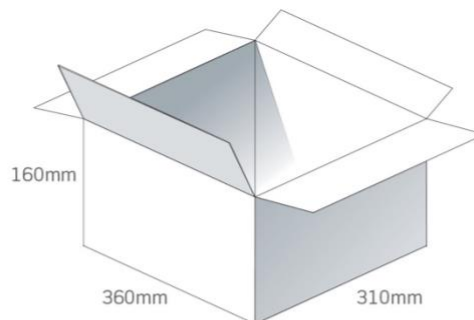
1pcs FW.24.SMA.M per PE Bag
 Bag Dimensions - 420*50mm
 Weight - 41g



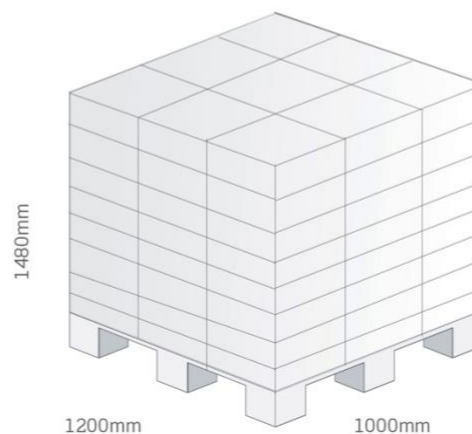
50pcs FW.24.SMA.M per Large PE Bag
 Bag Dimensions - 520*370mm
 Weight - 2.2Kg



200pcs FW.24.SMA.M per Carton
 Carton Dimensions - 360*310*160mm
 Weight - 8.4Kg



Pallet Dimensions:
 1200*1000*1480mm
 72 Cartons Per Pallet
 9 Cartons Per Layer
 8 Layers



Changelog for the datasheet

SPE-17-8-003 - FW.24.SMA.M

Revision: C	
Date:	2019-08-16
Changes:	Updated to new format
Changes Made by:	Dan Cantwell

Previous Revisions

Revision: B (Current Version)	
Date:	2017-10-19
Changes:	Changed IP Rating to IP65
Changes Made by:	Carol Faughnan

Revision: A (Original First Release)	
Date:	2017-06-01
Notes:	
Author:	Andrew Wei



TAOGLAS®

www.taoglas.com





Компания «ЭлектроПласт» предлагает заключение долгосрочных отношений при поставках импортных электронных компонентов на взаимовыгодных условиях!

Наши преимущества:

- Оперативные поставки широкого спектра электронных компонентов отечественного и импортного производства напрямую от производителей и с крупнейших мировых складов;
- Поставка более 17-ти миллионов наименований электронных компонентов;
- Поставка сложных, дефицитных, либо снятых с производства позиций;
- Оперативные сроки поставки под заказ (от 5 рабочих дней);
- Экспресс доставка в любую точку России;
- Техническая поддержка проекта, помощь в подборе аналогов, поставка прототипов;
- Система менеджмента качества сертифицирована по Международному стандарту ISO 9001;
- Лицензия ФСБ на осуществление работ с использованием сведений, составляющих государственную тайну;
- Поставка специализированных компонентов (Xilinx, Altera, Analog Devices, Intersil, Interpoint, Microsemi, Aeroflex, Peregrine, Syfer, Eurofarad, Texas Instrument, Miteq, Cobham, E2V, MA-COM, Hittite, Mini-Circuits, General Dynamics и др.);

Помимо этого, одним из направлений компании «ЭлектроПласт» является направление «Источники питания». Мы предлагаем Вам помощь Конструкторского отдела:

- Подбор оптимального решения, техническое обоснование при выборе компонента;
- Подбор аналогов;
- Консультации по применению компонента;
- Поставка образцов и прототипов;
- Техническая поддержка проекта;
- Защита от снятия компонента с производства.



Как с нами связаться

Телефон: 8 (812) 309 58 32 (многоканальный)

Факс: 8 (812) 320-02-42

Электронная почта: org@eplast1.ru

Адрес: 198099, г. Санкт-Петербург, ул. Калинина, дом 2, корпус 4, литера А.