

Description

AZV3001 and AZV3002 are single and dual channel comparators developed for new generation low-power comparator families for battery-powered devices and systems requiring low voltage operation.

The supply current each comparator typically consumes is 6µA to extend battery life. It is guaranteed to operate at a low voltage of 1.6V and is fully operational up to 5.5V. These features make the AZV3001 and AZV3002 convenient for use in 1.8V, 3.0V and 5.0V systems, and are perfectly suitable for battery-powered devices from its low-power characteristics.

The AZV3001 and AZV3002 have complementary push-pull output stage comprised of P- and N-Channel MOSFET for each comparator capable of driving rail-to-rail output swing.

The whole family is packaged in miniaturized packaging to reduce the space needed on PCB boards. The AZV3001 is available in X2-DFN1410-6; the AZV3002 is available in U-FLGA1616-8 and SO-8.

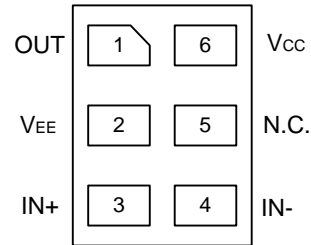
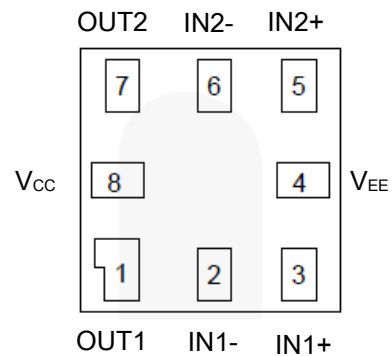
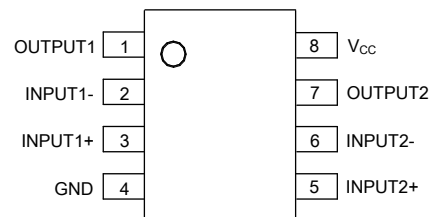
Features

- Low Supply Current: 6µA (typical)
- Wide Supply Voltage Range: 1.6–5.5V
- Rail to Rail Input/ Output Performance
- Push-Pull Output Structure
- Propagation Delay: 0.8µs (typical)
- Low Input Bias Current: 1pA (typical)
- No Phase Inversion with Overdrive Input Signals
- Internal Hysteresis
- X2-DFN1410-6, U-FLGA1616-8 and SO-8 Package: Available in “Green” Molding Compound (No Br. Sb.)
- **Totally Lead-Free & Fully RoHS Compliant (Notes 1 & 2)**
- **Halogen and Antimony Free. “Green” Device (Note 3)**

Applications

- Mobile Phones
- Tablets
- Battery Powered Devices
- Alarm and Security Systems

Pin Assignments

AZV3001

**Top View
(X2-DFN1410-6)**
AZV3002

**Top View
(U-FLGA1616-8)**

**Top View
(SO-8)**

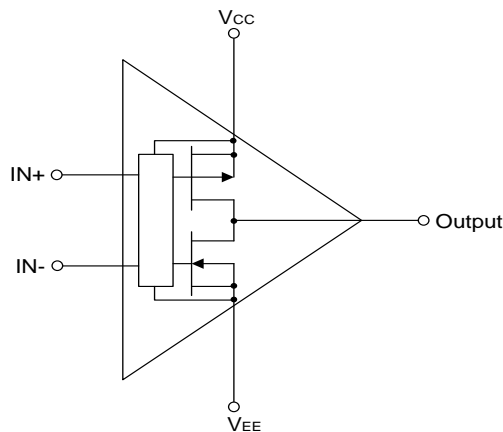
- Notes:
1. No purposely added lead. Fully EU Directive 2002/95/EC (RoHS) & 2011/65/EU (RoHS 2) compliant.
 2. See http://www.diodes.com/quality/lead_free.html for more information about Diodes Incorporated's definitions of Halogen- and Antimony-free, "Green" and Lead-free.
 3. Halogen- and Antimony-free "Green" products are defined as those which contain <900ppm bromine, <900ppm chlorine (<1500ppm total Br + Cl) and <1000ppm antimony compounds.

Pin Descriptions

AZV3001		
Pin Name	Pin Number	Function
V _{CC}	6	Supply Voltage
V _{EE}	2	Supply Voltage
IN+	3	Non-Inverting Input
IN-	4	Inverting Input
OUT	1	Comparator Output
N.C.	5	No Connection

AZV3002			
Pin Name	Pin Number		Function
	U-FLGA1616-8	SO-8	
V _{CC}	8	8	Supply Voltage
V _{EE}	4	4	Supply Voltage
IN1+	3	3	Non-Inverting Input of Comparator 1
IN1-	2	2	Inverting Input of Comparator 1
OUT1	1	1	Comparator 1 Output
IN2+	5	5	Non-Inverting Input of Comparator 2
IN2-	6	6	Inverting Input of Comparator 2
OUT2	7	7	Comparator 2 Output

Functional Block Diagram



Absolute Maximum Ratings (@T_A = +25°C, unless otherwise specified.)

Symbol	Parameter		Min	Max	Unit
V _{CC}	Supply Voltage		-	6	V
V _I	Input Voltage		-0.3	V _{CC} +0.3	V
t _{SC(O)}	Output Short-Circuit Time		-	Indefinite	S
T _{J(max)}	Maximum Junction Temperature		-	+150	°C
T _{STG}	Storage Temperature		-65	+150	°C
θ _{JA}	Thermal Resistance (Junction-to-Ambient)	X2-DFN1410-6	315		°C/W
		U-FLGA1616-8	306		
		SO-8	220		
θ _{JC}	Thermal Resistance (Junction-to-Case)	X2-DFN1410-6	150		°C/W
		U-FLGA1616-8	122		
		SO-8	80		

DC Electrical Characteristics ($V_{CC}=1.6V$ to $5.5V$, $V_{EE}=0V$; $V_{CM}=0.5V_{CC}$ unless otherwise specified.)

Symbol	Parameter	Conditions	+25°C			-40°C to +85°C		Units
			Min	Typ	Max	Min	Max	
V _{HYST}	Hysteresis Voltage	-	6	9	13	-	-	mV
		V _{CC} =1.3V	-	20	-	-	-	mV
V _{I(offset)}	Offset Input Voltage	-	-30	0.5	+30	-30	+30	mV
		V _{CC} =1.3V	-	3	-	-	-	mV
V _{OH}	High-Level Output Voltage	I _O = -0.5mA; V _{CC} = 1.3V	-	1.24	-	-	-	V
		I _O = -0.5mA; V _{CC} = 1.6V	-	1.55	-	1.35	-	V
		I _O = -3mA; V _{CC} = 3.0V	-	2.85	-	2.7	-	V
		I _O = -5mA; V _{CC} = 5.5V	-	5.33	-	5.2	-	V
V _{OL}	Low-Level Output Voltage	I _O = -0.5mA; V _{CC} = 1.3V	-	0.05	-	-	-	V
		I _O = -0.5mA; V _{CC} = 1.6V	-	0.04	-	-	0.25	V
		I _O = -3mA; V _{CC} = 3.0V	-	0.14	-	-	0.3	V
		I _O = -5mA; V _{CC} = 5.5V	-	0.2	-	-	0.3	V
V _{CM}	Common-Mode Voltage	V _{CC} = 1.3V to 5.5V	-	V _{EE} to V _{CC}	-	-	-	V
I _{OS}	Output Short-Circuit Current	V _{CC} = 5.5V; V _O = V _{EE} or V _{CC}	-	68	-	-	-	mA
CMRR	Common-Mode Rejection Ratio	ΔV _{CM} = V _{CC}	-	70	-	-	-	dB
PSRR	Power Supply Rejection Ratio	ΔV _{CC} = 1.95V	45	80	-	-	-	dB
I _{IB}	Input Bias Current	-	-	1	-	-	-	pA
I _{CC}	Supply Current – AZV3001	-	-	6	-	-	9	μA
	Supply Current – AZV3002	-	-	9	-	-	12	μA

AC Electrical Characteristics ($V_{CC}=1.6V$ to $5.5V$, $V_{EE}=0V$; $V_{CM}=0.5V_{CC}$ unless otherwise specified.)

Symbol	Parameter	Conditions	Min	Typ	Max	Unit
t _{pd}	Propagation Delay	20mV Overdrive; C _L =15pF	—	0.8	—	μs
t _{THL}	High to Low Output Transition Time	V _{CC} =5.5V; C _L =50pF	—	10	—	ns
t _{TLH}	Low to High Output Transition Time	V _{CC} =5.5V; C _L =50pF	—	10	—	ns

Performance Characteristics



Figure 1 Input Hysteresis Voltage



Figure 2 Supply Current vs. Supply Voltage

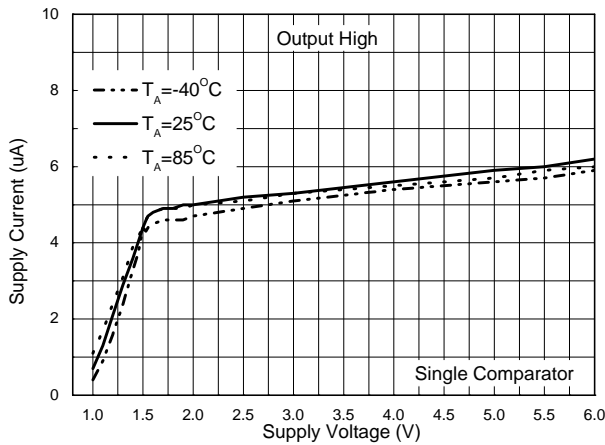


Figure 3 Supply Current vs. Supply Voltage



Figure 4 Supply Current vs. Supply Voltage

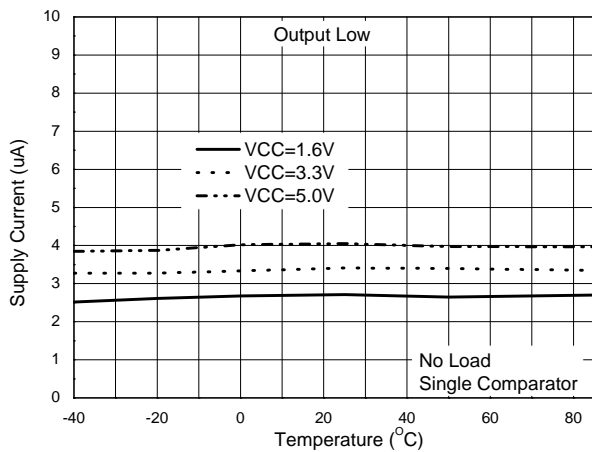


Figure 5 Supply Current vs. Temperature

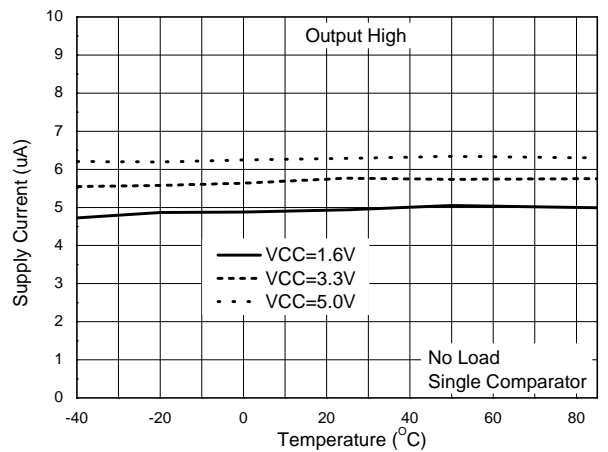


Figure 6 Supply Current vs. Temperature

Performance Characteristics (continued)

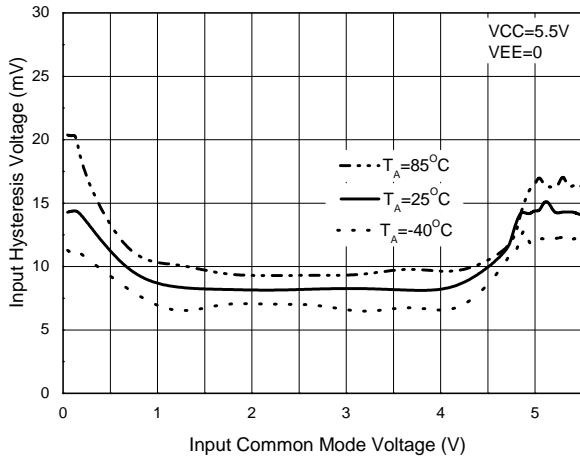


Figure 7 Input Hysteresis Voltage

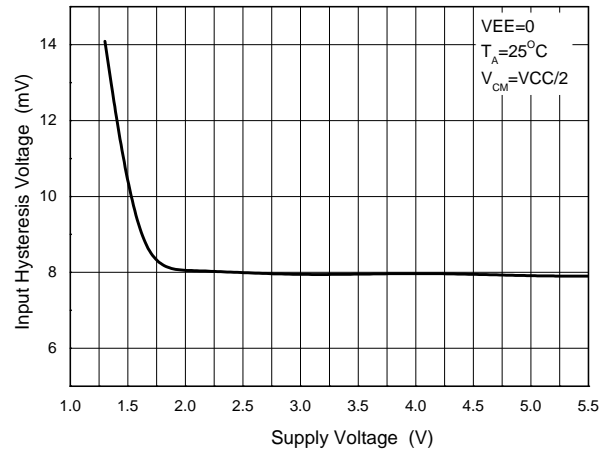


Figure 8 Input Hysteresis Voltage

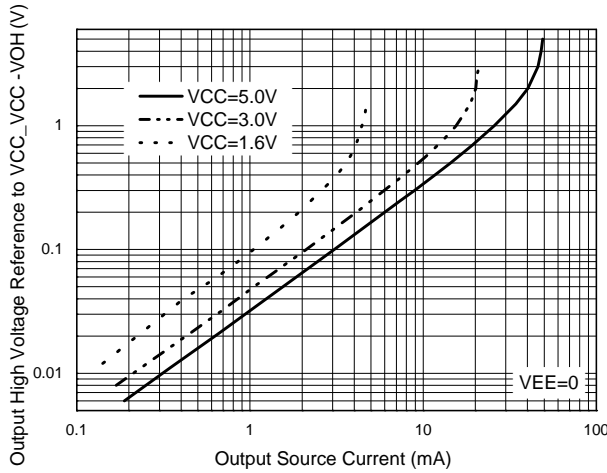


Figure 9 Output Voltage vs. Output Source Current

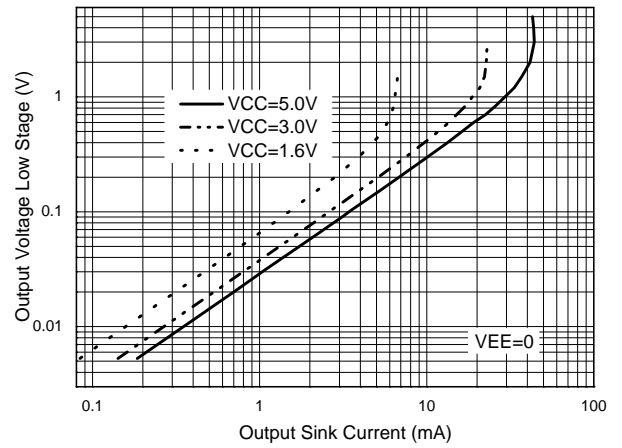


Figure 10 Output Voltage vs. Output Sink Current

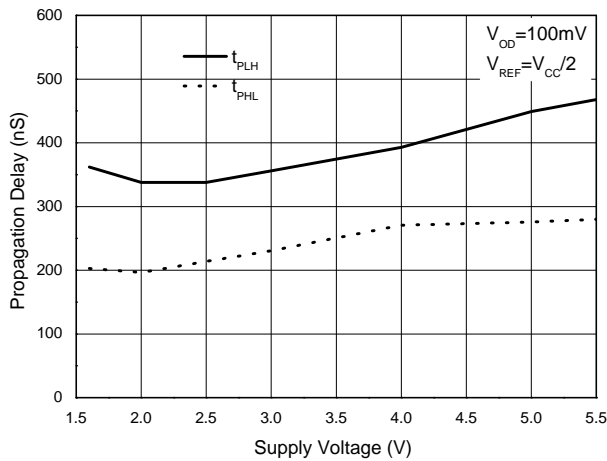


Figure 11 Propagation Delay vs. Supply Voltage

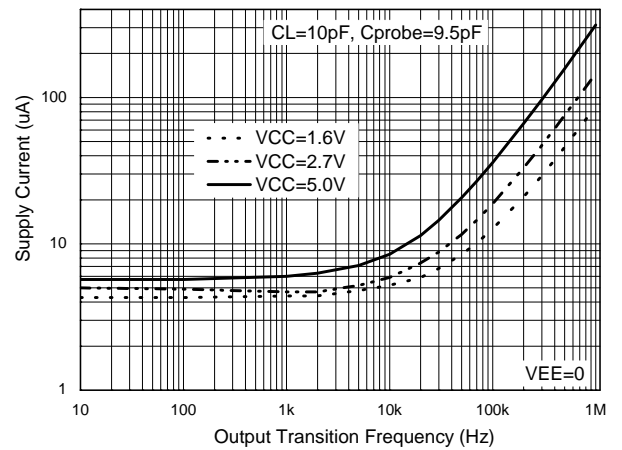


Figure 12 Supply Current vs. Transition Frequency

Application Information

Description

The AZV3001/2 are single and dual low-voltage, low-power comparators. These devices are designed for rail-to-rail input and output applications. The AZV3001 device consumes only 6µA supply current while achieving a typical propagation delay 0.8µS under 20mV input overdrive condition. These family comparators are guaranteed to operate at a low supply voltage range of 1.6V to 5.5V.

The AZV3001 /2 series has a typical internal hysteresis of 9.0mV. This allows for greater noise immunity and clean output switching.

The Output Stage

The AZV3001 and AZV3002 feature a push-pull output, which have a complementary P- and N-Channel output stage. When the output switches, there is a direct path between V_{CC} and V_{EE}, causing increased output sinking or sourcing current during the transition. Following the transition, the output current decreases and supply current returns to 6µA, thus maintaining low power consumption.

Many comparators consume more current during switching than during steady-state operation. However, with this family of comparators, the supply current change during an output transition is extremely small. The graph of Supply Current vs. Output Transition Frequency shows the minimal supply current increase as the output switching frequency approaches 1KHz. In battery- powered applications, this characteristic results in a substantial increase in battery life.

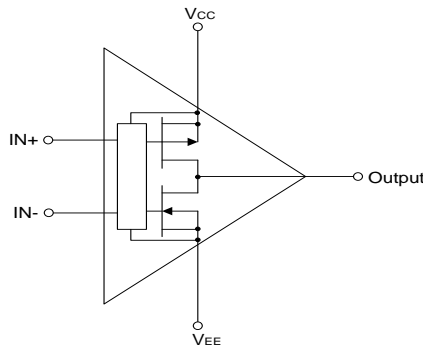


Figure 13 AZV3001/2 Complementary Output Configuration

Internal Input Hysteresis Voltage (V_{HYST})

Many comparators oscillate in the linear region of operation because of noise or undesired parasitic feedback. This tends to occur when the voltage on one input is equal to, or very close to the voltage on the other input. The AZV3001/2 have internal 9mV (Typ.) hysteresis to counter parasitic effects and noise.

The hysteresis in a comparator creates two trip points: one for the rising input voltage (V_{HYST+}) and one for the falling input voltage (V_{HYST-}). The difference between the trip points is the hysteresis (V_{HYST}). When the comparator's input voltages are equal, the hysteresis effectively causes one comparator input to move quickly past the other, thus taking the input out of the region where oscillation occurs. Figure 1 illustrates the case in which V_{IN-} has a fixed voltage applied, and V_{IN+} is varied. If the inputs were reversed, the figure would be the same, except with an inverted output.

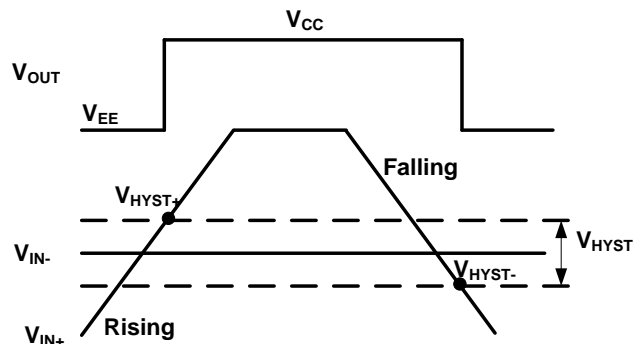


Figure 14 AZV3001 / 2 Internal Input Hysteresis Voltage

Application Information (continued)

External Hysteresis Application

The AZV3001 and AZV3002 have a hysteresis transfer curve that is a function of the following three components:

V_{TH} : the actual set voltage or threshold trip voltage

V_{OS} : the internal offset voltage between V_{IN+} and V_{IN-} . This voltage is added to V_{TH} to form the actual trip point at which the comparator must respond in order to change output states.

V_{HYST} : internal hysteresis (or trip window) that is designed to produce comparator sensitivity to noise.



Figure 15 AZV3001 Hysteresis Transfer Curve

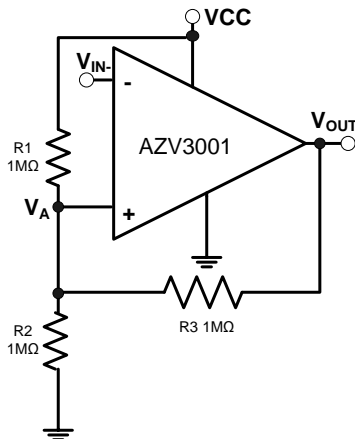


Figure 16. Inverting Comparator With Hysteresis

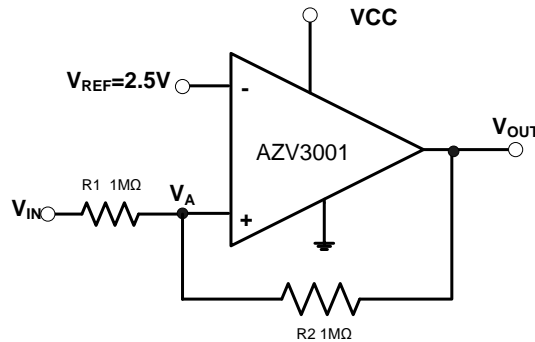


Figure 17. Non-Inverting Comparator With Hysteresis

No Phase Inversion

AZV3001 and AZV3002 are rail-to-rail input comparators, with the input common-mode voltage range reaching to the supply rails for both positive and negative supplies. The AZV3001 and AZV3002 are designed to prevent phase inversion when the input pins exceed the supply voltage. Figure 18 shows the AZV3001/2 response when input voltages exceed the supply, resulting in no phase inversion.

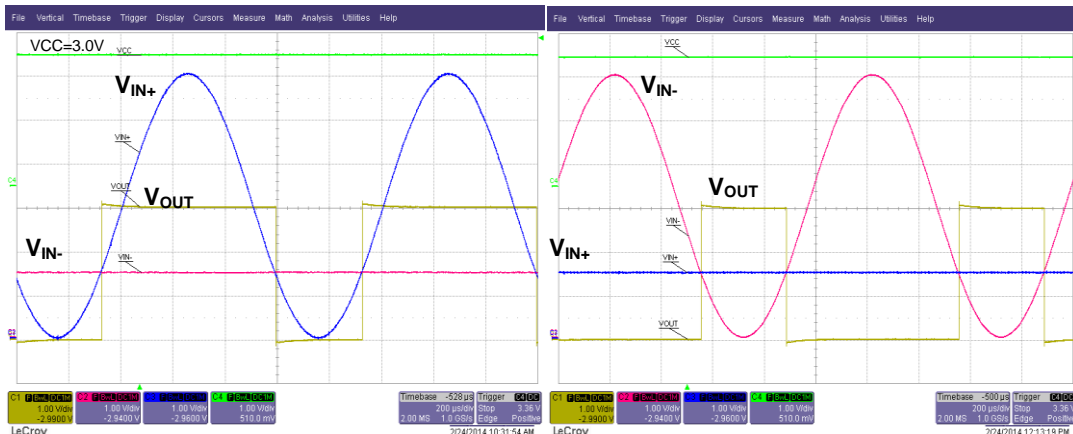
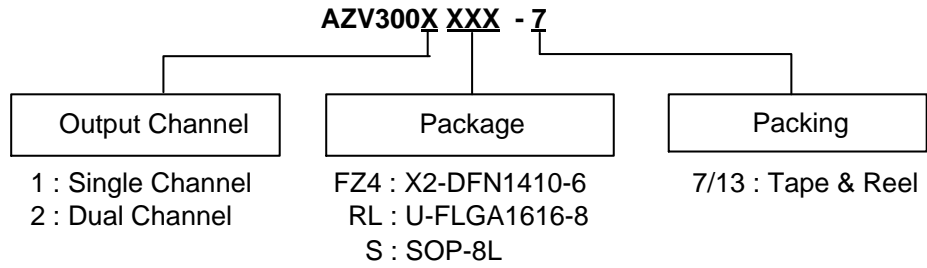


Figure 18 Comparator Response to Input Voltage –No Phase Inversion

Ordering Information



Part Number	Package Code	Packaging	7"/13" Tape and Reel	
			Quantity	Part Number Suffix
AZV3001FZ4-7	FZ4	X2-DFN1410-6	5,000/Tape & Reel	-7
AZV3002RL-7	RL	U-FLGA1616-8	3,000/Tape & Reel	-7
AZV3002S-13	S	SO-8	2500/Tape & Reel	-13

Note: 4. Pad layout as shown on Diodes Inc. suggested pad layout document AP02001, which can be found on our website at <http://www.diodes.com/datasheets/ap02001.pdf>.

Marking Information

(1) X2-X2-DFN1410-6

(Top View)



XX : Identification Code
Y : Year : 0~9
W : Week : A~Z : 1~26 week;
 a~z : 27~52 week; z represents 52 and 53 week
X : Internal Code

Part Number	Package	Identification Code
AZV3001FZ4	X2-DFN1410-6	YA

(2) U-FLGA1616-8

(Top View)

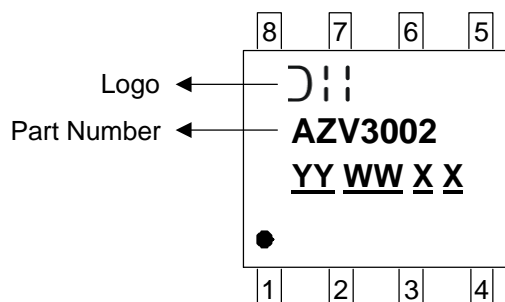


XX : Identification Code
Y : Year : 0~9
W : Week : A~Z : 1~26 week;
 a~z : 27~52 week; z represents 52 and 53 week
X : Internal Code

Part Number	Package	Identification Code
AZV3002RL	U-FLGA1616-8	XD

(3) SO-8

(Top View)



YY : Year : 14,15,16~
WW : Week : 01~52; 52 represents 52 and 53 week
XX : Internal Code

Package Outline Dimensions (All dimensions in mm.)

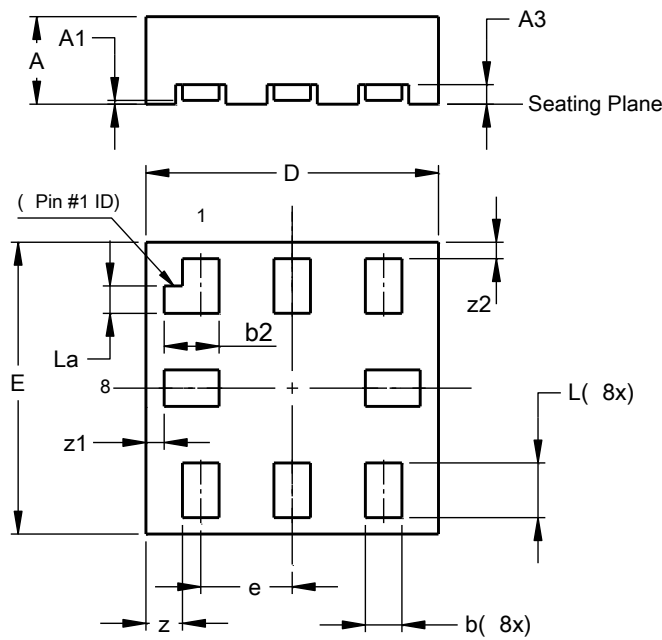
Please see AP02002 at <http://www.diodes.com/datasheets/ap02002.pdf> for the latest version.

(1) Package Type: X2-DFN1410-6



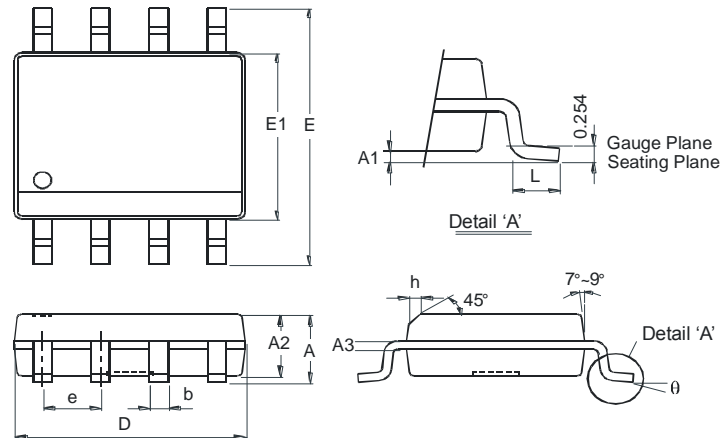
X2-DFN1410-6			
Dim	Min	Max	Typ
A	—	0.40	0.39
A1	0.00	0.05	0.02
A3	—	—	0.13
b	0.15	0.25	0.20
D	1.35	1.45	1.40
E	0.95	1.05	1.00
e	—	—	0.50
L	0.25	0.35	0.30
Z	—	—	0.10
Z1	0.045	0.105	0.075
All Dimensions in mm			

(2) U-FLGA1616-8



U-FLGA1616-8			
Dim	Min	Max	Typ
A	0.45	0.55	0.50
A1	0.00	0.05	0.02
A3	-	-	0.176
b	0.15	0.25	0.20
b2	-	-	0.30
D	1.55	1.65	1.60
E	1.55	1.65	1.60
e	0.50BSC		
L	0.25	0.35	0.30
La	-	-	0.15
z	-	-	0.20
z1	-	-	0.10
z2	-	-	0.09
All Dimensions in mm			

(3) SO-8

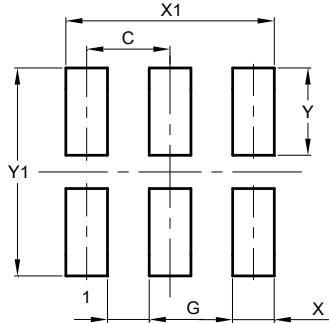


SO-8		
Dim	Min	Max
A	-	1.75
A1	0.10	0.20
A2	1.30	1.50
A3	0.15	0.25
b	0.3	0.5
D	4.85	4.95
E	5.90	6.10
E1	3.85	3.95
e	1.27 Typ	
h	-	0.35
L	0.62	0.82
theta	0°	8°
All Dimensions in mm		

Suggested Pad Layout

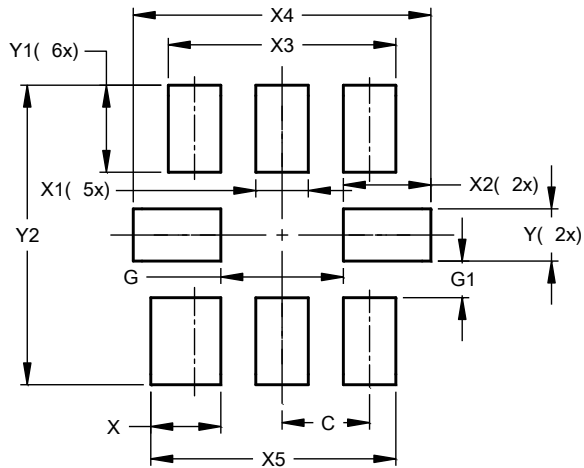
Please see AP02001 at <http://www.diodes.com/datasheets/ap02001.pdf> for the latest version.

(1) Package Type: X2-DFN1410-6



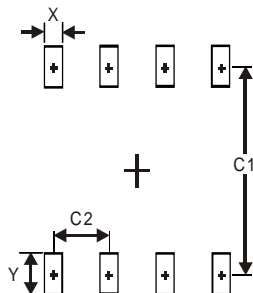
Dimensions	Value (in mm)
C	0.500
G	0.250
X	0.250
X1	1.250
Y	0.525
Y1	1.250

(2)U-FLGA1616-8



Dimensions	Value (in mm)
C	0.500
G	0.700
G1	0.210
X	0.400
X1	0.300
X2	0.500
X3	1.300
X4	1.700
X5	1.400
Y	0.300
Y1	0.500
Y2	1.720

(3)SO-8



Dimensions	Value (in mm)
X	0.60
Y	1.55
C1	5.4
C2	1.27

IMPORTANT NOTICE

DIODES INCORPORATED MAKES NO WARRANTY OF ANY KIND, EXPRESS OR IMPLIED, WITH REGARDS TO THIS DOCUMENT, INCLUDING, BUT NOT LIMITED TO, THE IMPLIED WARRANTIES OF MERCHANTABILITY AND FITNESS FOR A PARTICULAR PURPOSE (AND THEIR EQUIVALENTS UNDER THE LAWS OF ANY JURISDICTION).

Diodes Incorporated and its subsidiaries reserve the right to make modifications, enhancements, improvements, corrections or other changes without further notice to this document and any product described herein. Diodes Incorporated does not assume any liability arising out of the application or use of this document or any product described herein; neither does Diodes Incorporated convey any license under its patent or trademark rights, nor the rights of others. Any Customer or user of this document or products described herein in such applications shall assume all risks of such use and will agree to hold Diodes Incorporated and all the companies whose products are represented on Diodes Incorporated website, harmless against all damages.

Diodes Incorporated does not warrant or accept any liability whatsoever in respect of any products purchased through unauthorized sales channel.

Should Customers purchase or use Diodes Incorporated products for any unintended or unauthorized application, Customers shall indemnify and hold Diodes Incorporated and its representatives harmless against all claims, damages, expenses, and attorney fees arising out of, directly or indirectly, any claim of personal injury or death associated with such unintended or unauthorized application.

Products described herein may be covered by one or more United States, international or foreign patents pending. Product names and markings noted herein may also be covered by one or more United States, international or foreign trademarks.

This document is written in English but may be translated into multiple languages for reference. Only the English version of this document is the final and determinative format released by Diodes Incorporated.

LIFE SUPPORT

Diodes Incorporated products are specifically not authorized for use as critical components in life support devices or systems without the express written approval of the Chief Executive Officer of Diodes Incorporated. As used herein:

A. Life support devices or systems are devices or systems which:

1. are intended to implant into the body, or
2. support or sustain life and whose failure to perform when properly used in accordance with instructions for use provided in the labeling can be reasonably expected to result in significant injury to the user.

B. A critical component is any component in a life support device or system whose failure to perform can be reasonably expected to cause the failure of the life support device or to affect its safety or effectiveness.

Customers represent that they have all necessary expertise in the safety and regulatory ramifications of their life support devices or systems, and acknowledge and agree that they are solely responsible for all legal, regulatory and safety-related requirements concerning their products and any use of Diodes Incorporated products in such safety-critical, life support devices or systems, notwithstanding any devices- or systems-related information or support that may be provided by Diodes Incorporated. Further, Customers must fully indemnify Diodes Incorporated and its representatives against any damages arising out of the use of Diodes Incorporated products in such safety-critical, life support devices or systems.

Copyright © 2015, Diodes Incorporated

www.diodes.com



Компания «ЭлектроПласт» предлагает заключение долгосрочных отношений при поставках импортных электронных компонентов на взаимовыгодных условиях!

Наши преимущества:

- Оперативные поставки широкого спектра электронных компонентов отечественного и импортного производства напрямую от производителей и с крупнейших мировых складов;
- Поставка более 17-ти миллионов наименований электронных компонентов;
- Поставка сложных, дефицитных, либо снятых с производства позиций;
- Оперативные сроки поставки под заказ (от 5 рабочих дней);
- Экспресс доставка в любую точку России;
- Техническая поддержка проекта, помощь в подборе аналогов, поставка прототипов;
- Система менеджмента качества сертифицирована по Международному стандарту ISO 9001;
- Лицензия ФСБ на осуществление работ с использованием сведений, составляющих государственную тайну;
- Поставка специализированных компонентов (Xilinx, Altera, Analog Devices, Intersil, Interpoint, Microsemi, Aeroflex, Peregrine, Syfer, Eurofarad, Texas Instrument, Miteq, Cobham, E2V, MA-COM, Hittite, Mini-Circuits, General Dynamics и др.);

Помимо этого, одним из направлений компании «ЭлектроПласт» является направление «Источники питания». Мы предлагаем Вам помощь Конструкторского отдела:

- Подбор оптимального решения, техническое обоснование при выборе компонента;
- Подбор аналогов;
- Консультации по применению компонента;
- Поставка образцов и прототипов;
- Техническая поддержка проекта;
- Защита от снятия компонента с производства.



Как с нами связаться

Телефон: 8 (812) 309 58 32 (многоканальный)

Факс: 8 (812) 320-02-42

Электронная почта: org@eplast1.ru

Адрес: 198099, г. Санкт-Петербург, ул. Калинина, дом 2, корпус 4, литера А.